

HP4872 -UN-01JAN94



JOHN DEERE 9400 MAXIMIZER™ COMBINE

(1989-)

(SPECIFICATIONS AND DESIGN SUBJECT TO CHANGE WITHOUT NOTICE)

NOTE

FOR 900 SERIES PLATFORM PARTS INFORMATION, REFER TO JOHN DEERE 900 SERIES PLATFORM PARTS CATALOG - PC-2104.

FOR 40 SERIES CORN HEAD PARTS INFORMATION, REFER TO JOHN DEERE 40 SERIES CORN HEAD PARTS CATALOG - PC-1223.

FOR 50A SERIES ROW-CROP HEAD PARTS INFORMATION, REFER TO JOHN DEERE 50A SERIES ROW-CROP HEAD PARTS CATALOG - PC-1747.

FOR THREE-ROLLER BELT PICKUP PARTS INFORMATION, REFER TO JOHN DEERE THREE-ROLLER BELT PICKUP PARTS CATALOG - PC-2210.

FOR 918 AND 920 DRAPER PARTS INFORMATION, REFER TO JOHN DEERE 918 AND 920 DRAPER PLATFORMS PARTS CATALOG - PC-2212.

FOR 90 SERIES CORN HEAD PARTS INFORMATION, REFER TO JOHN DEERE 90 SERIES CORN HEAD PARTS CATALOG - PC-2404.

IMPORTANT

THIS PARTS CATALOG CONTAINS PARTS INFORMATION FOR THE 9400 MAXIMIZER™ COMBINE. VINTAGE IS DETERMINED BY THE COMBINE SERIAL NUMBER OR THE PRODUCT IDENTIFICATION NUMBER (PIN). IT IS IMPORTANT THAT THE CORRECT NUMBERS BE USED WHEN ORDERING PARTS.

PRODUCT INFORMATION NUMBER (PIN) PLATE

THE PRODUCT IDENTIFICATION PLATE (PIN) IS LOCATED NEAR RIGHT-HAND SIDE OF THE TOOL BOX.
AN EXAMPLE OF THE TWO-LINES ON THIS PIN PLATE IS:

HO9400X630101
COMBINE

(FIRST LINE)

HO - MANUFACTURING UNIT (HARVESTER WORKS)

9400 - MODEL IDENTIFIER

X - CONFIGURATION CODE/MODEL IDENTIFIER SUFFIX

630101 - SEQUENTIAL NUMBER USED IN SERIAL NO. COLUMN

(SECOND LINE)

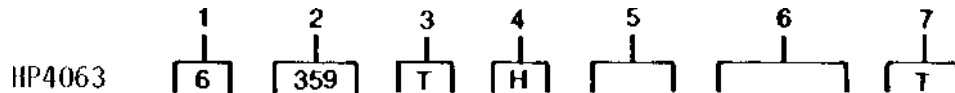
COMBINE - TYPE OF PRODUCT

COPYRIGHT (C) 2000. DEERE & COMPANY. MOLINE, ILLINOIS. ALL RIGHTS RESERVED.

THE ENGINE SERIAL NUMBER IS LOCATED ON THE RIGHT-HAND SIDE OF THE ENGINE BLOCK.

9400 ENGINE SERIAL NUMBER

HP4063 -UN-01JAN94



1. NUMBER OF CYLINDERS -6-
2. CUBIC INCH DISPLACEMENT -359
3. TYPE OF AIR INTAKE -T- TURBOCHARGED
4. FACTORY USER -H- HARVESTER
5. ENGINE VERSION (FIRST) -
6. ENGINE SERIAL NUMBER -
7. ENGINE MANUFACTURER -T- DUBUQUE

PARTS LISTING INFORMATION

SERIAL NUMBER OR PRODUCT IDENTIFICATION NUMBER (PIN) INFORMATION SHOWS ON WHICH MACHINES PART MAY BE USED: FOR EXAMPLE:

- THE PART CAN BE USED ON ALL MACHINES.
- 000000 THE PART CAN BE USED ON ALL MACHINES UP TO AND INCLUDING SERIAL NUMBER LISTED.
- 000000- THE PART CAN BE USED ON ALL MACHINES BEGINNING WITH THE SERIAL NUMBER LISTED..
- 000000-000000 THE PART CAN BE USED ON ALL MACHINES BETWEEN AND INCLUDING SERIAL NUMBERS LISTED.

WHEN XXXXXX'S ARE LISTED IN PLACE OF A SERIAL NUMBER, A SERIAL NUMBER CHANGE WAS MADE, BUT THE EXACT SERIAL NUMBER IS NOT AVAILABLE WHEN THE CATALOG WAS PRINTED.

FOR INDIVIDUAL HEADER PARTS CATALOGS REFER TO:

PC-2104 - PARTS CATALOG FOR JOHN DEERE 900 SERIES PLATFORMS

PC-2210 - PARTS CATALOG FOR JOHN DEERE THREE ROLLER BELT PICK-UP

PC-2212 - PARTS CATALOG FOR JOHN DEERE 918 DRAPER PLATFORMS

PC-1747 - PARTS CATALOG FOR JOHN DEERE 50A SERIES ROW-CROP HEADS

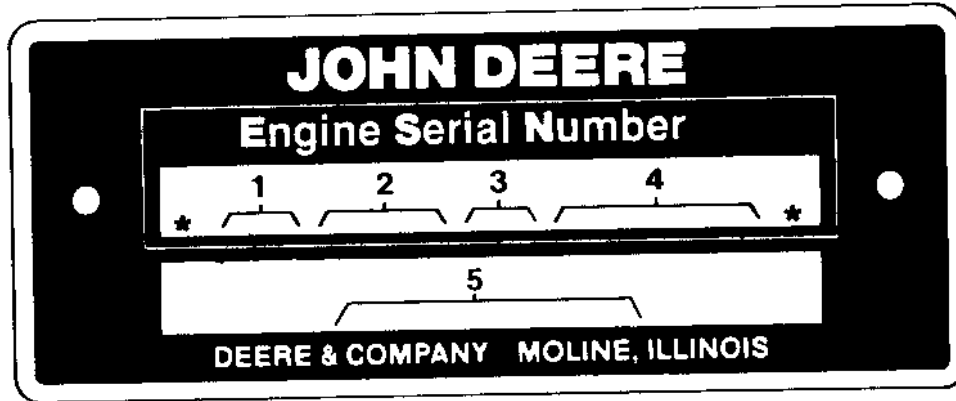
PC-1223 - PARTS CATALOG FOR JOHN DEERE 40 SERIES CORN HEADS

PC-2404 - PARTS CATALOG FOR JOHN DEERE 90 SERIES CORN HEADS

ENGINE SERIAL NUMBER PLATE

TP8011

-UN-01JAN94



- | | |
|--|---|
| 1. DESIGNATES ENGINE MANUFACTURER | T-JOHN DEERE DUBUQUE WORKS |
| 2. DESIGNATES NUMBER OF CYLINDERS AND LITERS | 5059 (5.9 LITER)
6068 (6.8 LITER) |
| 3. DESIGNATES FUEL TYPE OR SPECIAL CONDITION | DF NON-TURBOCHARGED DIESEL ENGINE
TF TURBOCHARGED DIESEL ENGINE |
| 4. DESIGNATES ENGINE SERIAL NUMBER | 123456 |
| 5. DESIGNATES THE ENGINE APPLICATION AND FACTORY USER. | 6059AH001 (-337245)
6068HH001 (337246-701275)
6068HH050 (701276-) |

DIRECTION ARROW

ARROWS ARE USED WITH ILLUSTRATIONS TO INDICATE THE FRONT OF THE UNIT. "RIGHT-HAND" AND "LEFT-HAND" SIDES ARE DETERMINED BY FACING IN THE DIRECTION OF MACHINE FORWARD TRAVEL.

BOX-ENCLOSED ILLUSTRATIONS

A KEY NUMBER, SHOWN IN THE PARTS LIST, IS ASSIGNED TO A BOX ENCLOSING ALL PARTS SOLD AS A SERVICE ASSEMBLY. A BOX NOT KEYED INCLUDES NON-CURRENT PARTS.

KITS

KIT INFORMATION WILL BE FOUND IMMEDIATELY FOLLOWING THE STORY IN WHICH IT IS USED. THE ILLUSTRATION IS REPEATED WITH ONLY THE KIT PARTS CALLED OUT AND WITH ALL OTHER PARTS SHOWN IN PHANTOM.

JDM REMANUFACTURED COMPONENTS

THE SERVICE PARTS LISTED IN THIS CATALOG ARE INTENDED FOR THE REPAIR OF ORIGINAL EQUIPMENT COMPONENTS. ALTHOUGH MOST SERVICE PARTS MAY BE USED TO REPAIR REMANUFACTURED COMPONENTS, THE REMANUFACTURED DESIGN MAY CHANGE PARTS SUFFICIENTLY SO THAT SERVICE PARTS ARE INADEQUATE OR NOT USABLE.

BOLT AND CAP SCREW STRENGTH IDENTIFICATION

BOLTS AND CAP SCREWS REQUIRED TO HAVE HIGH-STRENGTH QUALITIES EQUIVALENT TO SAE GRADE 8 ARE IDENTIFIED THROUGHOUT THIS CATALOG BY THE DESCRIPTION HS SAE 8. ALL STANDARD BOLTS AND CAP SCREWS ARE SAE GRADE 5 OR LOWER. BOLTS AND CAP SCREWS REQUIRED TO HAVE HIGH-STRENGTH QUALITIES EQUIVALENT TO PROPERTY CLASS 10.9 ARE IDENTIFIED THROUGHOUT THIS CATALOG BY THE DESCRIPTION HS 10.9. ALL STANDARD BOLTS AND CAP SCREWS ARE PROPERTY CLASS 8.8 OR LOWER.

SI UNITS OF MEASURE

METRIC DIMENSIONS ARE GIVEN, WHERE APPLICABLE, THROUGHOUT THIS PARTS CATALOG.

TRADEMARKS

THROUGHOUT THIS PARTS CATALOG, YOU WILL FIND THE FOLLOWING DEERE & COMPANY TRADEMARKS:

DIAL-A-SPEED™
DIAL-A-MATIC™
HARVESTRAK™
CONTOUR MASTER™

POSI-TORQ™
TORQ-GARD SUPREME®
QUIK-TATCH™

CHANGE INDICATOR LINE

CHANGES AFFECTING THE ORDERING OF PARTS ARE IDENTIFIED BY VERTICAL LINES MARKED IN THE LEFT-HAND MARGIN OF REVISED PARTS LISTING IMAGES. A LINE IS ALSO AT THE LEFT-HAND EDGE OF THE SAME PART NUMBER IN THE NUMERICAL INDEX TO SHOW THE LOCATION OF REVISED INFORMATION.

FUNCTION CODE

(EXAMPLE - FC: 5000)

FUNCTION CODES ARE LOCATED ON EACH PAGE IN THE UPPER RIGHT-HAND CORNER IN THE BOX. THE CODE LISTED IS A GROUPING CODE THAT CAN BE USED FOR WARRANTIES AND FOR DTAC TO IDENTIFY CERTAIN AREAS.

COMPLETE GOODS LISTINGS

COMPLETE GOODS ARE IN BOLD FACE TYPE. ORDER SEPARATELY. DO NOT INCLUDE ON REPLACEMENT PARTS ORDER.

SECTION INDEX

SECTION 10 - GENERAL INFORMATION

SECTION 20 - ENGINE FAN, INTERCOOLER AND SCREENS

SECTION 24 - 6359 AND 6068 ENGINES

SECTION 30 - FUEL AND AIR

SECTION 40 - ELECTRICAL

SECTION 50 - POWER TRAIN

SECTION 60 - STEERING AND BRAKES

SECTION 70 - HYDRAULICS

SECTION 80 - SEPARATOR SHELL

SECTION 90 - OPERATOR'S STATION

SECTION 110 - FEEDER HOUSE

SECTION 120 - THRESHING AND SEPARATION

SECTION 121 - DRIVES

SECTION 125 - RESIDUE DISPOSAL

SECTION 130 - CLEAN GRAIN ELEVATOR, GRAIN TANK AND UNLOADING AUGER

SECTION 160 - DIAL-A-MATIC HEADER HEIGHT CONTROL

SECTION 170 - DECALS, BELTS AND CHAINS

SECTION 180 - NUMERICAL INDEX

ALPHABETICAL INDEX

GRID	A	PAGE	GRID	PAGE	
5F4	A/C COMPRESSOR (650101-) R134A	90 - 92	2D9	AIR CONDITIONER WIRING HARNESS (-660100)	40 - 22
5F5	A/C COMPRESSOR COVER (650101-) R134A	90 - 93	2D11	AIR CONDITIONER WIRING HARNESS (660101-)	40 - 24
5F4	A/C COMPRESSOR DIODE (650101-) R134A	90 - 92	5C22	AIR CONDITIONING AND HEATER DUCTS	90 - 33
5F4	A/C COMPRESSOR MANIFOLD (650101-) R134A	90 - 92	4F3	AIR CONDITIONING CONDENSER AND OIL COOLER	70 - 90
5F5	A/C COMPRESSOR PULLEY (650101-) R134A	90 - 93	5E18	AIR CONDITIONING SYSTEM	90 - 80
5F4	A/C COMPRESSOR SEAL (650101-) R134A	90 - 92	5E20	AIR CONDITIONING SYSTEM (-650100) R-12 REFRIGERANT	90 - 82
5F7	A/C COMPRESSOR SEAL KIT (650101-)	90 - 95	5E22	AIR CONDITIONING SYSTEM (650101-) R134A REFRIGERANT	90 - 84
1C7	A/C CONDENSER, AIR INTER COOLER AND RADIATOR WITH OIL COOLER	20 - 20	5E16	AIR CONDITIONING/HEATER AND PRESSURIZING FAN	90 - 78
2E17	A/C HIGH PRESSURE SWITCH, 6068 UPPER PARTS	40 - 56	5E14	AIR CONDITIONING/HEATER HOUSING AND FILTERS	90 - 76
2E17	A/C HIGH PRESSURE SWITCH, 6359 UPPER PARTS	40 - 56	1G4	AIR INTAKE	24 - 95
1D6	ACCESS COVER, INJECTION PUMP GEAR	24 - 18	1G5	AIR INTAKE	24 - 96
4C23	ACCUMULATOR AND MOUNTING, ONE GALLON (655101-)	70 - 34	1G6	AIR INTAKE SYSTEM	24 - 97
4C21	ACCUMULATOR HOSES AND LINES (-655100) (ONE-HALF GALLON)	70 - 32	1C7	AIR INTER COOLER, RADIATOR WITH OIL COOLER AND A/C CONDENSER	20 - 20
4C23	ACCUMULATOR HOSES AND LINES (655101-)(ONE GALLON)	70 - 34	5D16	AIR SEAT SUSPENSION (660101-)	90 - 52
4B15	ACCUMULATOR PRESSURE GAUGE	70 - 2	5D18	AIR SEAT SUSPENSION KITS (665101-)	90 - 54
4B15	ACCUMULATOR PRESSURE GAUGE WIRING HARNESS	70 - 2	5D20	AIR SEAT SUSPENSION KITS (665101-)	90 - 56
4C21	ACCUMULATOR, DUAL AND MOUNTING (-655100) (ONE-HALF GALLON)	70 - 32	5D22	AIR SEAT SUSPENSION KITS (665101-)	90 - 58
4C19	ACCUMULATOR, ONE-HALF GALLON (SINGLE)	70 - 30	5D24	AIR SEAT SUSPENSION KITS (665101-)	90 - 60
3F8	ACTUATOR, PARK BRAKE (-640100)	60 - 2	2D11	AIR SEAT WIRING HARNESS (660101-)	40 - 24
1F11	ADAPTER, EXHAUST	24 - 76	5D18	AIR SUSPENSION KITS, SEAT (665101-)	90 - 54
2E3	ADAPTER, WIRING HARNESS (CONTOUR MASTER)	40 - 42	5D20	AIR SUSPENSION KITS, SEAT (665101-)	90 - 56
1H9	ADAPTER,ENGINE COOLANT	24 - 126	5D22	AIR SUSPENSION KITS, SEAT (665101-)	90 - 58
1E15	ADAPTER,ENGINE OIL FILTER	24 - 52	5D24	AIR SUSPENSION KITS, SEAT (665101-)	90 - 60
3G19	ADJUSTABLE REAR AXLE	60 - 38	5D16	AIR SUSPENSION, SEAT (660101-)	90 - 52
3G23	ADJUSTABLE REAR AXLE STEERING TIE RODS	60 - 42	112	ALTERNATOR ADJUSTING STRAP	24 - 156
5D12	ADJUSTER, OPERATOR'S SEAT LEVER	90 - 48	2F5	ALTERNATOR AND SHEAVE (-650100)	40 - 68
6G19	ADJUSTING BRACKET, CYLINDER DRIVE, INTERMEDIATE	121 - 42	2F3	ALTERNATOR AND VOLTAGE REGULATOR(90 AMP) MOTOROLA-PRESTOLITE (-650100)	40 - 66
5E5	ADJUSTING MECHANISM, ARMREST (R.H.) (640101-)	90 - 66	111	ALTERNATOR MOUNTING BRACKETS	24 - 154
5E3	ADJUSTING MECHANISM, ARMREST, R.H. (-640100)	90 - 64	112	ALTERNATOR MOUNTING BRACKETS	24 - 156
2F9	ADJUSTING MOTOR, CONCAVE	40 - 72	2F6	ALTERNATOR, SHEAVE AND BELT BOSCH (650101-)	40 - 69
2F1	ADJUSTING MOTOR, SEPARATOR FAN DRIVE	40 - 64	2F7	ALTERNATOR, VOLTAGE REGULATOR (95 AMP) BOSCH (650101-)	40 - 70
112	ADJUSTING STRAP, ALTERNATOR	24 - 156	2D3	ANTENNA, SPEAKERS AND RADIO	40 - 16
2D13	AIR CINDITIONER THERMOSTAT KIT (630101-640100)	40 - 26	6G11	ARM, LOCKOUT, DUAL-RANGE	121 - 34
2B22	AIR CLEANER AND INTAKE TUBES - GRAIN	30 - 12	1H25	ARMATURE	24 - 143
2B24	AIR CLEANER AND INTAKE TUBES - GRAIN	30 - 14	117	ARMATURE, STARTING MOTOR DRIVE	24 - 150
2E17	AIR CLEANER PLUGGED SWITCH, 6068 UPPER PARTS	40 - 56	5E7	ARMREST (L.H.)	90 - 68
2E17	AIR CLEANER PLUGGED SWITCH, 6359 UPPER PARTS	40 - 56	5E3	ARMREST ADJUSTING MECHANISM (R.H.) (-640100)	90 - 64
1J8	AIR CONDITIOING COMPRESSOR BRACKET	24 - 178	5E5	ARMREST ADJUSTING MECHANISM (R.H.) (640101-)	90 - 66
2D9	AIR CONDITIONER AND HEATER (WIRING HARNESS)(-660100)	40 - 22	2D1	ARMREST PANEL, OPERATOR'S	40 - 14
2D17	AIR CONDITIONER AND HEATER SWITCH	40 - 30	2D1	ARMREST ROCKER SWITCHES	40 - 14
2D15	AIR CONDITIONER PRESSURIZER FAN KIT (640101-650100)	40 - 28	2C23	ARMREST WIRING HARNESS	40 - 12
			5E1	ARMREST WITH GLOVE BOX (R.H.)	90 - 62

ALPHABETICAL INDEX - CONTINUED

GRID		PAGE	GRID		PAGE
6D19	ARMS, FRAME, PRECLEANER CHAFFER	120 - 58	6E15	BEARING KIT, STRAW WALKER (650101-665100)	120 - 78
1C25	ARMS, ROCKER	24 - 12	6E17	BEARING KIT, STRAW WALKERS (665101-)	120 - 80
1D1	ARMS, ROCKER	24 - 13	3D10	BEARING, COVER AND QUILL (STEERABLE MOTOR).....	50 - 49
3D15	ARMS, STEERING, CAM LOBE MOTOR (STEERABLE MOTOR)	50 - 54	1C19	BEARING, CRANKSHAFT THRUST	24 - 6
2D1	ASHTRAY	40 - 14	1C20	BEARINGS - CRANKSHAFT	24 - 7
4E1	ASSEMBLY, SIX STACK SOLENOID CONTROL VALVE (660101-)	70 - 62	1D8	BEARINGS, CONNECTING ROD	24 - 20
7H16	AUGER BELTS	170 - 2	1D9	BEARINGS, CONNECTING ROD (6068)	24 - 21
7G14	AUGER COVERS AND CHANNEL, CROSS	130 - 43	3C11	BEARINGS, FINAL DRIVE (RING AND PINION)	50 - 23
4G17	AUGER DRIVE MUD SHIELDS (R-H SIDE)	80 - 28	3C12	BEARINGS, FINAL DRIVE (RING AND PINION)	50 - 25
7E11	AUGER DRIVE SHIELD, UPPER TAILINGS	125 - 72	3C13	BEARINGS, FINAL DRIVE (RING AND PINION)	50 - 26
7E13	AUGER DRIVE SHIELD, UPPER TAILINGS	125 - 74	1C16	BEARINGS, MAIN	24 - 3
7E11	AUGER DRIVE, UPPER TAILINGS	125 - 72	1C17	BEARINGS, MAIN	24 - 4
7E13	AUGER DRIVE, UPPER TAILINGS	125 - 74	1C19	BEARINGS, MAIN	24 - 6
7F7	AUGER HOUSING, LOADING, UPPER CLEAN GRAIN	130 - 12	6E13	BEARINGS, STRAW WALKER (-650100)	120 - 76
7F9	AUGER HOUSING, LOADING, UPPER CLEAN GRAIN (660101-)	130 - 14	7E3	BEARINGS, TAILINGS ELEVATOR CONVEYOR	125 - 64
2E11	AUGER SENSOR AND WIRING HARNESS, UNLOADING (660101-)	40 - 50	3C4	BEARINGS, TRANSMISSION	50 - 16
4D17	AUGER SWING CONTROL VALVE (650100-)	70 - 52	3C6	BEARINGS, TRANSMISSION PINION SHAFT	50 - 18
4D15	AUGER SWING, SOLENOID CONTROL VALVE DOUBLE PILOTED (-650100)	70 - 50	1D11	BEARINGS, CONNECTING ROD	24 - 23
7G9	AUGER SWIVEL SUPPORT AND BRACES	130 - 38	7H19	BEATER BELTS SHEAVES	170 - 5
7F7	AUGER TRANSITION HOUSING	130 - 12	6C22	BEATER COVER	120 - 36
7D23	AUGER TROUGH, LOWER TAILINGS	125 - 60	6H5	BEATER DRIVE SHEAVES AND TIGHTENER	121 - 52
2E11	AUGER WIRING HARNESS, UNLOADING (660101-)	40 - 50	6C8	BEATER GRATE AND 13-BAR CONCAVE ASSEMBLY	120 - 22
7G5	AUGER, GRAIN TANK, VERTICAL UNLOADING	130 - 34	6C3	BEATER GRATE CURTAIN (650437-)	120 - 16
7G17	AUGER, HORIZONTAL UNLOADING (14- AND 17-FT.)	130 - 46	6C20	BEATER SHAFT AND DRIVE BELT	120 - 34
7G19	AUGER, HORIZONTAL UNLOADING (17-FT.)	130 - 48	7H3	BELT GUIDE, UNLOADING AUGER DRIVE	130 - 56
7G13	AUGER, HORIZONTAL UNLOADING, DRIVE GEARCASE	130 - 42	1114	BELT IDLER TENSIONER	24 - 158
7F11	AUGER, LOADING, CLEAN GRAIN	130 - 16	6H19	BELT PICKUP / REEL DRIVE, PUMP MOUNTING SHEAVE	121 - 66
7F10	AUGER, LOADING, CLEAN GRAIN FOLD (660101-)	130 - 15	2F6	BELT, ALTERNATOR AND SHEAVE BOSCH (650101-)	40 - 69
7D21	AUGER, LOWER TAILINGS	125 - 58	6C20	BELT, DRIVE, SHAFT AND BEATER	120 - 34
7H17	AUGER, LOWER TAILINGS, BELTS	170 - 3	5H21	BELT, FAN, DUST, LH SIDE FEEDER HOUSE-RETROFIT INSTALLATION	110 - 60
7H3	AUGER, UNLOADING, DRIVE BELT GUIDE	130 - 56	5D9	BELT, OPERATOR'S SEAT (665101-)	90 - 44
7E11	AUGER, UPPER TAILINGS	125 - 72	5D11	BELT, SEAT - RETROFIT KIT (MACHINES PRIOR TO 1996 MODEL YEAR)	90 - 46
7E13	AUGER, UPPER TAILINGS	125 - 74	5D10	BELT, SEAT - TRAINING SEAT (665101-)	90 - 45
7G23	AUGERS, GRAIN TANK CROSS	130 - 52	7H17	BELTS, AIR CONDITIONER COMPRESSOR	170 - 3
6C24	AUGERS, SHOE GRAIN SUPPLY AND HOUSING	120 - 38	7H16	BELTS, AUGER	170 - 2
6D1	AUGERS, SHOE GRAIN SUPPLY AND HOUSING	120 - 40	7H19	BELTS, BEATER	170 - 5
2C15	AUX FIELD LIGHTS SWITCH, OPTIONAL	40 - 4	7H17	BELTS, CLEAN GRAIN ELEVATOR	170 - 3
2C21	AUXILIARY FIELD LIGHTING	40 - 10	7H16	BELTS, CONVEYOR FEEDER	170 - 2
3B23	AXLE SPACERS (RING AND PINION FINAL DRIVE)	50 - 10	7H17	BELTS, COOLING FAN	170 - 3
3C12	AXLE, FINAL DRIVE (RING AND PINION)	50 - 25	7H17	BELTS, CYLINDER DRIVE	170 - 3
3B22	AXLE, FRONT	50 - 9	7H17	BELTS, DRIVE, CYLINDER INTERMEDIATE	170 - 3
3G19	AXLE, REAR, ADJUSTABLE	60 - 38	7H16	BELTS, ENGINE DRIVE	170 - 2
3H5	AXLE, REAR, SPINDLES	60 - 48	7H18	BELTS, FAN, CLEANING	170 - 4
3H3	AXLE, REAR, SUPPORT	60 - 46	7H16	BELTS, FEEDER CONVEYOR	170 - 2
			7H18	BELTS, FEEDER HOUSE	170 - 4
			7H18	BELTS, HEADER AND REEL	170 - 4
			7H19	BELTS, LOWER TAILINGS AUGER	170 - 5
			7H17	BELTS, LOWER TAILINGS AUGER	170 - 3
			7H17	BELTS, ROTARY SCREEN	170 - 3
			7H18	BELTS, STRAW CHOPPER	170 - 4
			7H18	BELTS, STRAW SPREADER	170 - 4
			7H18	BELTS, UNLOADING AUGERS	170 - 4
			7H19	BELTS, UNLOADING SYSTEM	170 - 5

B

2G22	BACKSHAFT SPEED SENSOR, FEEDER HOUSE (645123-)	40 - 110
7F23	BASE, GRAIN TANK	130 - 28
2F13	BATTERIES, CABLE AND HOLDDOWN	40 - 76

ALPHABETICAL INDEX - CONTINUED

GRID		PAGE	GRID		PAGE
7H19	BELTS, UPPER TAILINGS AUGER	170 - 5	5C3	CAB FRAME AND SUPPORT	90 - 14
7H16	BELTS, WALKER	170 - 2	5F10	CAB HARDWARE KIT	90 - 98
4D13	BI-DIRECTIONAL MODULE, SOLENOID CONTROL VALVE, REEL LIFT AND CYLINDER SPEED	70 - 48	5B21	CAB INTERIOR TRIM PANELS	90 - 8
1D16	BLOCK, CYLINDER	24 - 28	5C17	CAB L.H. LANDING AND MIRROR (650201-)	90 - 28
1D17	BLOCK, CYLINDER	24 - 30	5C15	CAB LANDING AND MIRROR (-650100)	90 - 26
1D18	BLOCK, CYLINDER	24 - 31	5C19	CAB LANDING AND MIRROR (R.H.)	90 - 30
1D19	BLOCK, CYLINDER	24 - 32	2C12	CAB LIGHT, DOME	40 - 1
1D20	BLOCK, CYLINDER	24 - 33	5D7	CAB OPERATOR'S SEAT AND BACKREST	90 - 42
1D21	BLOCK, CYLINDER	24 - 34	5B15	CAB PANELS AND FLOOR MAT	90 - 2
1E3	BLOCK, CYLINDER	24 - 40	2C17	CAB POST INSTRUMENT PANEL	40 - 6
1C3	BLOCK, ENGINE COOLANT HEATER	20 - 16	5C23	CAB POST INSTRUMENT PANEL	90 - 34
1D23	BLOCK, SHORT ENGINE	24 - 36	5B19	CAB REAR AND SIDE SEALS	90 - 6
1E1	BLOCK, SHORT ENGINE	24 - 38	5C5	CAB ROOF AND SUPPORTS	90 - 16
3D3	BLOCK, VALVE	50 - 42	2C19	CAB ROOF LIGHTS	40 - 8
2F21	BOARDS, ELECTRONIC	40 - 84	5D14	CAB SEAT HEIGHT ADJUSTER (VERTICAL CONTROL)	90 - 50
2F7	BOSCH ALTERNATOR AND VOLTAGE REGULATOR (95 AMP) (650101-)	40 - 70	5B17	CAB SOUND DEADENING, FOAM AND SEALS	90 - 4
5C13	BOX, TOOL (660101-)	90 - 24	2C13	CAB WIRING HARNESS	40 - 2
3F25	BRACKET, BRAKE CABLE SUPPORT (645101-)	60 - 19	5C1	CAB, COMPLETE	90 - 12
5G24	BRACKET, FEEDER CONVEYOR	110 - 38	6C18	CABLE, CONCAVE INDICATOR, AND BRACKETS	120 - 32
4C19	BRACKET, SINGLE ACCUMULATOR MOUNTING	70 - 30	2G5	CABLE, WIRING	40 - 92
2E5	BRACKET, STRAW CHOPPER SENSOR	40 - 44	2F13	CABLES, BATTERY	40 - 76
1114	BRACKET, TENSIONER	24 - 158	3B17	CABLES, CONTROL, HYDROSTATIC DRIVE (-645100)	50 - 4
1J8	BRACKET, AIR CONDITIONING COMPRESSOR	24 - 178	3B19	CABLES, HYDROSTATIC DRIVE CONTROL (645101-)	50 - 6
1112	BRACKETS, ALTERNATOR MOUNTING	24 - 156	3D4	CAM LOBE MOTOR (STEERABLE MOTOR)	50 - 43
6C18	BRACKETS, CONCAVE INDICATOR AND CABLE	120 - 32	3D11	CAM, CARRIER, AND PISTON (STEERABLE MOTOR)	50 - 50
2E13	BRACKETS, LOW SHAFT SPEED SENSORS	40 - 52	1C23	CAMSHAFT	24 - 10
4E3	BRACKETS, SOLENOID CONTROL VALVE	70 - 64	1C24	CAMSHAFT	24 - 11
3F25	BRAKE CABLE SUPPORT BRACKET (645101-)	60 - 19	1C23	CAMSHAFT GEAR	24 - 10
3F20	BRAKE CYLINDER, MASTER	60 - 14	1C24	CAMSHAFT GEAR	24 - 11
3F16	BRAKE CYLINDERS, MASTER AND BRAKE PEDALS	60 - 10	7G3	CAP, GRAIN TANK CLEAN OUT CHUTE	130 - 32
3F12	BRAKE LINES AND HOSES, PARKING, UPPER (-640100)	60 - 6	1D17	CAP, MAIN BEARING	24 - 30
3F18	BRAKE LINES, MASTER CYLINDER AND RESERVOIR	60 - 12	1D19	CAP, MAIN BEARING	24 - 32
3F14	BRAKE PEDAL AND SEAL, PARKING	60 - 8	1D20	CAP, MAIN BEARING	24 - 33
3F16	BRAKE PEDALS AND CYLINDERS, MASTER	60 - 10	1D21	CAP, MAIN BEARING	24 - 34
3F22	BRAKE SHOES AND DRUM (LEFT-HAND ILLUSTRATED)	60 - 16	1D3	CAP, OIL FILLER	24 - 15
3F24	BRAKE SLAVE CYLINDER	60 - 18	1E10	CAP, ENGINE OIL FILL	24 - 47
3F8	BRAKE, PARK, ACTUATOR (-640100)	60 - 2	1E3	CAP, MAIN BEARING	24 - 40
3F10	BRAKE, PARKING, LINES (-640100)	60 - 4	3D13	CAPS, YOKE AND PIVOTS (STEERABLE MOTOR)	50 - 52
3F7	BRAKE, PARKING, VALVE (-640100)	60 - 1	3D11	CARRIER, PISTON, AND CAM (STEERABLE MOTOR)	50 - 50
2F17	BREAKERS, CIRCUIT, ENGINE COMPARTMENT	40 - 80	3E19	CASE DRAIN, 4-WHEEL DRIVE, HYDRAULIC LINES	50 - 84
2F14	BREAKERS, CIRCUIT, ENGINE COMPARTMENT (-660100)	40 - 77	7G3	CASE, VERTICAL AUGER LOWER GEAR	130 - 32
2F15	BREAKERS, CIRCUIT, ENGINE COMPARTMENT (660101-)	40 - 78	2C17	CDC (COMBINE DATA CENTER)	40 - 6
112	BRUSHES, STARTING MOTOR	24 - 145	5C23	CDC (COMBINE DATA CENTER)	90 - 34
115	BYPASS START KIT (ESN 709446-)	24 - 148	7D13	CHAFF SPREADER (DUAL MOTOR) HOSES AND LINES (650101-)	125 - 50
1E11	BYPASS VALVE, ENGINE OIL	24 - 48	7D1	CHAFF SPREADER (DUAL MOTOR) PAN, WINGS AND SEALS (650101-)	125 - 38
C			7C21	CHAFF SPREADER (DUAL MOTOR) SHIELDS AND HANDLES (650101-)	125 - 34
5C21	CAB AIR FILTER AND HOUSING	90 - 32	7D5	CHAFF SPREADER CONTROL, CHECK VALVE, ROD AND KNOB	125 - 42
2C12	CAB DOME LIGHT	40 - 1	7C17	CHAFF SPREADER DISC (DUAL MOTOR) (650101-)	125 - 30
5C1	CAB DOOR AND GLASS	90 - 12	7C15	CHAFF SPREADER DISC AND DRIVE BELT (-650100)	125 - 28
5B23	CAB DOOR LATCH	90 - 10	7C19	CHAFF SPREADER FRAME, SHIELDS AND HANDLES (-650100)	125 - 32
5B15	CAB FLOOR MAT	90 - 2	7D7	CHAFF SPREADER LINES AND FITTINGS	125 - 44

ALPHABETICAL INDEX - CONTINUED

GRID		PAGE	GRID		PAGE
4B21	CHAFF SPREADER MOTOR (EATON) (655929-)	70 - 8	7F3	CLEAN GRAIN ELEVATOR, UPPER	130 - 8
7D3	CHAFF SPREADER MOUNTING SUPPORT	125 - 40	7F11	CLEAN GRAIN LOADING AUGER	130 - 16
7C23	CHAFF SPREADER PAN AND SEALS (-650100)	125 - 36	7F7	CLEAN GRAIN LOADING AUGER HOUSING, UPPER	130 - 12
7D11	CHAFF SPREADER, HOSES, LINES AND MOTOR (-650100)	125 - 48	7F9	CLEAN GRAIN LOADING AUGER HOUSING, UPPER (660101-)	130 - 14
7D9	CHAFF SPREADER, LINES, HOSES, VALVE AND PUMP	125 - 46	7F10	CLEAN GRAIN LOADING AUGER, FOLD (660101-)	130 - 15
7D15	CHAFF SPREADER, PUMP	125 - 52	7E22	CLEAN GRAIN LOWER AUGER	130 - 2
6D21	CHAFFER ELEMENT	120 - 60	7E22	CLEAN GRAIN LOWER AUGER AND HINGED DOOR	130 - 2
6D23	CHAFFER ELEMENT	120 - 62	7E24	CLEAN GRAIN LOWER ELEVATOR	130 - 4
6E1	CHAFFER EXTENSION ELEMENT	120 - 64	7F1	CLEAN GRAIN LOWER ELEVATOR	130 - 6
6E3	CHAFFER FRAME	120 - 66	7E24	CLEAN GRAIN LOWER ELEVATOR AND CONVEYOR CHAIN	130 - 4
6D19	CHAFFER FRAME ARMS, PRECLEANER	120 - 58	7F1	CLEAN GRAIN LOWER ELEVATOR AND CONVEYOR CHAIN	130 - 6
6D15	CHAFFER FRAME, PRE-CLEANER	120 - 54	7G3	CLEAN OUT CHUTE, GRAIN TANK	130 - 32
6D13	CHAFFER, PRE-CLEANING	120 - 52	2B22	CLEANER, AIR AND INTAKE TUBES - GRAIN	30 - 12
7E6	CHAIN TIGHTENER, UPPER TAILINGS DRIVE	125 - 67	2B24	CLEANER, AIR AND INTAKE TUBES - GRAIN	30 - 14
7E24	CHAIN, CONVEYOR, CLEAN GRAIN LOWER ELEVATOR	130 - 4	6H7	CLEANING FAN DRIVE, SEPARATOR	121 - 54
7F1	CHAIN, CONVEYOR, CLEAN GRAIN LOWER ELEVATOR	130 - 6	6D5	CLEANING FAN INTAKE SHIELDS	120 - 44
5G24	CHAIN, FEEDER CONVEYOR DRIVE	110 - 38	6D7	CLEANING FAN INTAKE SHIELDS	120 - 46
7E3	CHAIN, TAILINGS ELEVATOR CONVEYOR	125 - 64	6D9	CLEANING FAN INTAKE SHIELDS (-645100)	120 - 48
7G14	CHANNEL, CROSS AUGER	130 - 43	6D11	CLEANING FAN INTAKE SHIELDS (645101-)	120 - 50
7G5	CHARGE HOUSING, VERTICAL UNLOADING AUGER	130 - 34	6D3	CLEANING FAN LEAF SCREENS (CORN) (660193-)	120 - 42
4F10	CHARGE PRESSURE HOSE (640101-)	70 - 98	6D5	CLEANING FANS AND SHROUDS	120 - 44
7D5	CHECK VALVE, ROD AND KNOB, CHAFF SPREADER CONTROL	125 - 42	6D7	CLEANING FANS AND SHROUDS	120 - 46
7C1	CHOPPER, STRAW, HOUSING (-655100)	125 - 14	6C23	CLEANOUT DOOR, CONVEYOR AUGER, HANDLE AND LATCHES	120 - 37
7C1	CHOPPER, STRAW, KNIFEBACK (-655100)	125 - 14	5G7	CLEANOUT DOORS, FEEDER HOUSE	110 - 20
7G3	CHUTE, GRAIN TANK CLEAN OUT	130 - 32	5G11	CLOSURE PLATES, FEEDER HOUSE - CONTOUR MASTER (660101-)	110 - 24
2D1	CIGARETTE LIGHTER	40 - 14	6G1	CLUTCH, HEADER ELECTROMAGNETIC	121 - 24
2C17	CIRCUIT BOARD, COMBINE DATA CENTER	40 - 6	5G18	CLUTCH, SLIP, FEEDER HOUSE	110 - 32
5C23	CIRCUIT BOARD, COMBINE DATA CENTER	90 - 34	1I5	CLUTCH, STARING MOTOR (ESN 709446-)	24 - 148
2F19	CIRCUIT BREAKER AND RELAY, THROTTLE CONTROL PANEL	40 - 82	1I9	CLUTCH, STARTING MOTOR	24 - 152
2F17	CIRCUIT BREAKER RELAYS	40 - 80	1I1	COIL, STARTING MOTOR	24 - 144
2F14	CIRCUIT BREAKER RELAYS (-660100)	40 - 77	3G5	COLD WEATHER START BUTTON	60 - 24
2F15	CIRCUIT BREAKER RELAYS (660101-)	40 - 78	5E10	COLD WEATHER START BUTTON	90 - 72
2F17	CIRCUIT BREAKERS, ENGINE COMPARTMENT	40 - 80	2B18	COLD WEATHER STARTING AID (-655415)	30 - 8
2F14	CIRCUIT BREAKERS, ENGINE COMPARTMENT (-660100)	40 - 77	2B20	COLD WEATHER STARTING AID (655416-)	30 - 10
2F15	CIRCUIT BREAKERS, ENGINE COMPARTMENT (660101-)	40 - 78	2C17	COMBINE DATA CENTER	40 - 6
2E23	CLAMPS, UNLOADING AUGER LIGHT	40 - 62	5C23	COMBINE DATA CENTER	90 - 34
7E24	CLEAN GRAIN CONVEYOR CHAIN	130 - 4	4F24	COMPARTMENT, ENGINE (-640100)	80 - 10
7F1	CLEAN GRAIN CONVEYOR CHAIN	130 - 6	4G3	COMPARTMENT, ENGINE (-640100)	80 - 14
7F15	CLEAN GRAIN ELEVATOR DRIVE IDLER	130 - 20	4G1	COMPARTMENT, ENGINE (640100-)	80 - 12
7F15	CLEAN GRAIN ELEVATOR DRIVE TIGHTENER	130 - 20	4G5	COMPARTMENT, ENGINE (640101-)	80 - 16
7F15	CLEAN GRAIN ELEVATOR DRIVE TIGHTENER AND IDLER	130 - 20	5E20	COMPRESSOR AIR CONDITIONER (-650100) R-12 REFRIGERANT	90 - 82
7F13	CLEAN GRAIN ELEVATOR GEARCASE	130 - 18	5E22	COMPRESSOR AIR CONDITIONER (650101-) R134A REFRIGERANT	90 - 84
7F17	CLEAN GRAIN ELEVATOR SHIELDS, UPPER (-640100)	130 - 22	5E25	COMPRESSOR CLUTCH (-650100) R-12 REFRIGERANT	90 - 87
7F19	CLEAN GRAIN ELEVATOR SHIELDS, UPPER (640101-)	130 - 24	5E24	COMPRESSOR CLUTCH AND SERVICE VALVES (-650100) R-12 REFRIGERANT	90 - 86
7F5	CLEAN GRAIN ELEVATOR UPPER SHAFT	130 - 10	5F1	COMPRESSOR HARDWARE KIT (-650100) R-12	90 - 88
7F5	CLEAN GRAIN ELEVATOR UPPER SHAFT, SPROCKET AND SHEAVE	130 - 10	5F6	COMPRESSOR HARDWARE KIT (650101-) R134A	90 - 94
7F5	CLEAN GRAIN ELEVATOR UPPER SHEAVE	130 - 10			
7F5	CLEAN GRAIN ELEVATOR UPPER SPROCKET	130 - 10			

ALPHABETICAL INDEX - CONTINUED

GRID		PAGE	GRID		PAGE
5F2	COMPRESSOR PARTS (-650100) R-12	90 - 90	3D18	CONTROL VALVE (655101-)	50 - 57
5E25	COMPRESSOR SERVICE VALVES (-650100) R-12 REFRIGERANT	90 - 87	4E1	CONTROL VALVE MODULE, SIX STACK SOLENOID ASSEMBLY & MOUNTINGS (660101-)	70 - 62
7H17	COMPRESSOR, AIR CONDITIONING BELTS.....	170 - 3	3D19	CONTROL VALVE SOLENOID (FOUR-WHEEL DR.)	50 - 58
2F9	CONCAVE ADJUSTING MOTOR	40 - 72	5F8	CONTROL VALVE, HEATER	90 - 96
6C8	CONCAVE ASSEMBLY AND BEATER GRATE,13-BAR NARROW	120 - 22	3C24	CONTROL VALVE, HYDRO. DR. DISPLACEMENT	50 - 38
6C18	CONCAVE INDICATOR, CABLE AND BRACKETS.....	120 - 32	4D22	CONTROL VALVE, SOLENOID - CONTOUR MASTER (660101-)	70 - 58
6C4	CONCAVE, RASP BAR AND GRATE	120 - 18	4D20	CONTROL VALVE, SOLENOID, REEL FORE/AFT (650201-)	70 - 56
6C6	CONCAVE, RASP BAR AND GRATE	120 - 20	5E3	CONTROL, ARMREST ADJUSTING MECHANISM, R.H. (-640100).....	90 - 64
6C14	CONCAVE, SPIKE TOOTH	120 - 28	2G15	CONVENIENCE OUTLET (660101-)	40 - 102
6C12	CONCAVE, SPIKE-TOOTH	120 - 26	4B24	CONVERSION PARTS, HUDRAULIC, 200 SERIES CUTTING PLATFORM.....	70 - 11
5E20	CONDENSER, AIR CONDITIONER (-650100) R-12 REFRIGERANT	90 - 82	7H16	CONVEYOR AUGER BELTS,	170 - 2
5E22	CONDENSER, AIR CONDITIONER (650101-) R134A REFRIGERANT	90 - 84	6C23	CONVEYOR AUGER CLEANOUT DOOR, HANDLE AND LATCHES.....	120 - 37
4F3	CONDENSER, AIR CONDITIONING AND OIL COOLER	70 - 90	6H3	CONVEYOR AUGERS, STRAW WALKER, SIEVE AND CHAFFER DRIVE	121 - 50
1C15	CONDITIONER, COOLANT.....	24 - 2	7E24	CONVEYOR CHAIN, CLEAN GRAIN	130 - 4
1D8	CONNECTING ROD	24 - 20	7F1	CONVEYOR CHAIN, CLEAN GRAIN	130 - 6
1D11	CONNECTING ROD	24 - 23	1C15	COOLANT CONDITIONER	24 - 2
1D9	CONNECTING ROD (6068).....	24 - 21	1J10	COOLANT HEATER, ENGINE	24 - 180
1D8	CONNECTING ROD BEARINGS	24 - 20	1C3	COOLANT HEATER, ENGINE BLOCK.....	20 - 16
1D11	CONNECTING ROD BEARINGS	24 - 23	2C5	COOLANT RECOVERY TANK	30 - 20
1D9	CONNECTING ROD BEARINGS (6068).....	24 - 21	1H3	COOLER, ENGINE OIL	24 - 120
2F23	CONNECTORS, ELECTRICAL, WEATHERPACK	40 - 86	1H5	COOLER, ENGINE OIL (6068)	24 - 122
2G9	CONNECTORS, HARNESS, LOWER, FOR 6359 ENGINE	40 - 96	7H17	COOLING FAN BELTS	170 - 3
2G11	CONNECTORS, HARNESS, UPPER FOR 6359 ENGINE	40 - 98	7C7	CORN CURTAIN AND DEFLECTORS	125 - 20
1J4	CONNECTORS, STARTING AID	24 - 174	6B22	CORN CYLINDER DOOR (ARGENTINA ONLY).....	120 - 10
1J5	CONNECTORS, STARTING AID	24 - 175	4H3	CORNER SHEET, R H FRONT	80 - 38
1J6	CONNECTORS, STARTING AID	24 - 176	4H5	CORNER SHEET, REAR, L H	80 - 40
2G7	CONNECTORS, SUPPLEMENTARY TERMINALS	40 - 94	6G21	COUNTERSHAFT DRIVE, SECONDARY.....	121 - 44
5E1	CONSOLE GLOVE BOX AND ARM REST, R.H.....	90 - 62	7H1	COUNTERSHAFT DRIVE, UNLOADING AUGER	130 - 54
2C15	CONSOLE PANEL, OVERHEAD.....	40 - 4	6F24	COUNTERSHAFT GEARCASE, PRIMARY (640101-)	121 - 22
5G11	CONTOUR MASTER - FEEDER HOUSE FRAME, TILT BEAM & CLOSURE PLATES (660101-).....	110 - 24	6F20	COUNTERSHAFT GEARCASE, PRIMARY (640101-).....	121 - 18
5H17	CONTOUR MASTER DRIVESHAFT	110 - 56	6F22	COUNTERSHAFT, PRIMARY, GEARCASE (-640100)	121 - 20
5H15	CONTOUR MASTER DRIVESHAFT (660101-)	110 - 54	6F18	COUNTERSHAFT, PRIMARY, GEARCASE (-640100).....	121 - 16
4C13	CONTOUR MASTER HYDRAULIC HOSES, L.H SIDE (OPTIONAL) (660101-)	70 - 24	1B24	COUPLING WITH HUB, ENGINE-TRANSMISSION.....	20 - 13
5G15	CONTOUR MASTER LOCKOUT ADAPTER KIT (BELT PU & 4R CORN HEADS) (660101-)	110 - 28	1D6	COVER, ACCESS, INJECTION PUMP GEAR	24 - 18
4D10	CONTOUR MASTER SOLENOID CONTROL RELIF VALVE	70 - 45	6C22	COVER, BEATER	120 - 36
4D22	CONTOUR MASTER SOLENOID CONTROL VALVE (660101-)	70 - 58	5F5	COVER, COMPRESSOR A/C (650101-) R134A	90 - 93
4E20	CONTOUR MASTER TILT CYLINDER.....	70 - 82	4F24	COVER, ENGINE (-640100)	80 - 10
4E21	CONTOUR MASTER TILT CYLINDER HOSES AND FITTINGS.....	70 - 83	4G3	COVER, ENGINE (-640100)	80 - 14
2E3	CONTOUR MASTER WIRING HARNESS ADAPTER	40 - 42	4G1	COVER, ENGINE (640100-)	80 - 12
5G9	CONTOUR MASTER, FEEDER HOUSE SHELL, WEAR PLATES AND SEALS (660101-)	110 - 22	4G5	COVER, ENGINE (640101-)	80 - 16
5G13	CONTOUR MASTER, LOCKOUT ASSEMBLY (OPTIONAL) (660101-)	110 - 26	1E9	COVER, ENGINE OIL FILLER OPENING	24 - 46
3B17	CONTROL CABLES, HYDROSTATIC DRIVE (-645100)	50 - 4	3C18	COVER, HYDROSTATIC DRIVE PUMP.....	50 - 31
3B19	CONTROL CABLES, HYDROSTATIC DRIVE (645101-)	50 - 6	3C15	COVER, HYDROSTATIC PUMP (RING AND PINION)	50 - 28
2D1	CONTROL PANEL, OPERATOR'S ARMREST	40 - 14	3D7	COVER, INNER	50 - 46
2F19	CONTROL PANEL, THROTTLE, RELAY AND CIRCUIT BREAKER	40 - 82	1E10	COVER, OIL FILLER OPENING	24 - 47
3D17	CONTROL VALVE (-655100)	50 - 56	3D10	COVER, QUILL AND BEARING (STEERABLE MOTOR).....	50 - 49

ALPHABETICAL INDEX - CONTINUED

GRID	PAGE	GRID	PAGE
7I24	170 - 36	6F16	DRIVE SHAFT, GEARCASE AND PRIMARY COUNTERSHAFT 121 - 14
7B14	125 - 2	3B23	DRIVE SHAFTS 50 - 10
7C7	125 - 20	4G21	DRIVE SHIELD, R.H. REAR 80 - 32
7H11	160 - 2	5G3	DRIVE SHIELDS, CONTOUR MASTER FEEDER HOUSE (660101-660245) 110 - 16
7H10	160 - 1	5G5	DRIVE SHIELDS, CONTOUR MASTER FEEDER HOUSE (660246-) 110 - 18
7H13	160 - 4	5G1	DRIVE SHIELDS, SAFETY STOP, FEEDER HOUSE 110 - 14
4C18	70 - 29	6I7	DRIVE SHIELDS, STRAW CHOPPER (640101-) 121 - 78
3C8	50 - 20	7C5	DRIVE SPROCKETS, STRAW CHOPPER (655101-) 125 - 18
3C8	50 - 20	7F15	DRIVE TIGHTENER, CLEAN GRAIN ELEVATOR 130 - 20
2C13	40 - 2	6H17	DRIVE TIGHTENER, FEEDER HOUSE 121 - 64
5F4	90 - 92	5F24	DRIVE TIGHTENER, FIXED SPEED FEEDER HOUSE 110 - 12
1E11	24 - 48	5F22	DRIVE TIGHTENER, VARIABLE SPEED 110 - 10
1E12	24 - 49	3B21	DRIVE WHEELS 50 - 8
7C15	125 - 28	6H19	DRIVE, BELT PICKUP / REEL PUMP MOUNTING SHEAVE 121 - 66
7C17	125 - 30	6H7	DRIVE, CLEANING FAN, SEPARATOR 121 - 54
3C24	50 - 38	7H1	DRIVE, COUNTERSHAFT, UNLOADING AUGER 130 - 54
2C13	40 - 2	7H17	DRIVE, CYLINDER INTERMEDIATE, BELTS 170 - 3
5B23	90 - 10	7H17	DRIVE, CYLINDER, BELTS 170 - 3
5C1	90 - 12	1B23	DRIVE, ENGINE, 6359 20 - 12
7C9	125 - 22	1I14	DRIVE, FAN 24 - 158
7E22	130 - 2	6H15	DRIVE, FAN, SPEED CONTROL SHEAVE LINKAGE 121 - 62
4H7	80 - 42	6G23	DRIVE, GEARCASE, STRAW WALKER 121 - 46
6B18	120 - 6	3D1	DRIVE, HYDROSTATIC MOTOR, FIXED (RING AND PINION) 50 - 40
6B16	120 - 4	3E5	DRIVE, HYDROSTATIC OIL HOSES, UPPER (FOUR WHEEL DRIVE) (-655100) 50 - 70
6B20	120 - 8	3E1	DRIVE, HYDROSTATIC, LOWER OIL LINES (FOUR WHEEL DRIVE) (655101-) 50 - 66
6B22	120 - 10	3D24	DRIVE, HYDROSTATIC, LOWER OIL LINES (FOUR WHEEL DRIVE)(-655100) 50 - 64
4F20	80 - 6	3E3	DRIVE, HYDROSTATIC, LOWER OIL LINES (TWO WHEEL DRIVE) (655101-) 50 - 68
4F20	80 - 6	3D20	DRIVE, HYDROSTATIC, LOWER OIL LINES (2&4 WHEEL DRIVE)(-655100) 50 - 60
1B17	20 - 6	4C1	DRIVE, REEL, HYD., FRONT LINES AND HOSES 70 - 12
1B15	20 - 4	4B17	DRIVE, REEL, HYDRAULIC LINES AND HOSES, L.H. SIDE 70 - 4
7C9	125 - 22	1B12	DRIVE, ROTARY SCREEN (-645100) 20 - 1
4D15	70 - 50	6G21	DRIVE, SECONDARY COUNTERSHAFT 121 - 44
4D19	70 - 55	6I5	DRIVE, STRAW CHOPPER, SHIELDS 121 - 76
4D18	70 - 54	6H21	DRIVES, STRAW CHOPPER (FRONT) 121 - 68
1E22	24 - 61	6I1	DRIVES, STRAW CHOPPER (REAR) (-640100) 121 - 72
1E23	24 - 62	6H23	DRIVES, STRAW CHOPPER, FINE CUT (FRONT) 121 - 70
1E21	24 - 60	6I3	DRIVES, STRAW CHOPPER, FINE CUT (REAR) 121 - 74
1H16	24 - 134	5H17	DRIVESHAFT, CONTOUR MASTER 110 - 56
7C15	125 - 28	5H15	DRIVESHAFT, CONTOUR MASTER (660101-) 110 - 54
6G9	121 - 32	3F22	DRUM, BRAKE 60 - 16
6G17	121 - 40	4C21	DUAL ACCUMULATOR AND MOUNTING (-655100) (ONE-HALF GALLON) 70 - 32
7E4	125 - 65	2E23	DUAL LEVEL MONITOR 40 - 62
7E6	125 - 67	2E23	DUAL LEVEL MONITOR WIRING HARNESS 40 - 62
3B17	50 - 4	6G9	DUAL-RANGE CYLINDER DRIVE GEAR CASE 121 - 32
3B19	50 - 6	6G15	DUAL-RANGE CYLINDER DRIVE INTERMEDIATE SHAFT MOUNTING 121 - 38
7F15	130 - 20	6G17	DUAL-RANGE CYLINDER DRIVE INTERMEDIATE SHEAVE 121 - 40
3E23	50 - 90	6G13	DUAL-RANGE CYLINDER DRIVE TIGHTENER 121 - 36
1E19	24 - 58		

ALPHABETICAL INDEX - CONTINUED

GRID		PAGE	GRID		PAGE
6G11	DUAL-RANGE LOCKOUT ARM	121 - 34	1B19	ENGINE FAN DRIVES, 6359	20 - 8
5C22	DUCTS, HEATER AND AIR CONDITIONING	90 - 33	1B19	ENGINE FAN, 6359	20 - 8
5H21	DUST FAN BELT, LH SIDE FEEDER		1D12	ENGINE FRONT PLATE	24 - 24
	HOUSE-RETROFIT INSTALLATION.....	110 - 60	1D13	ENGINE FRONT PLATE	24 - 25
5H23	DUST FAN, LH SIDE FEEDER		1D14	ENGINE FRONT PLATE	24 - 26
	HOUSE-RETROFIT INSTALLATION.....	110 - 62	1D15	ENGINE FRONT PLATE	24 - 27
E					
2E19	EITHER START SOLENIOD, 6068		6F12	ENGINE GEARCASE	
	LOWER PARTS.....	40 - 58		(SEPARATOR AND PUMP DRIVE)	121 - 10
2E19	EITHER START SOLENOID, 6359		4F5	ENGINE GEARCASE OIL FILTER ASSEMBLY	70 - 92
	LOWER PARTS.....	40 - 58	4F7	ENGINE GEARCASE PRESSURE REGULATOR	70 - 94
1F1	ELBOW, ENGINE VENTILATING	24 - 66	6F8	ENGINE GEARCASE- SEPARATOR DRIVE WET-	
1F11	ELBOW, EXHAUST	24 - 76		CLUTCH AND PUMP DRIVE SHAFT	121 - 6
2G1	ELECTRICAL CONNECTOR SERVICE KIT	40 - 88	6F4	ENGINE GEARCASE- STRAW CHOPPER,UNLOADING	
2G3	ELECTRICAL CONNECTOR SERVICE KIT	40 - 90		DRIVE AND SEPARATOR DRIVE GEAR	121 - 2
7H11	ELECTRICAL HARNESS, DIAL-A-MATIC.....	160 - 2	6F14	ENGINE GEARCASE, SEPARATOR AND PUMP	
2G8	ELECTRICAL SERVICE OUTLET.....	40 - 95		DRIVE	121 - 12
2F23	ELECTRICAL TERMINALS AND CONNECTORS,		6F10	ENGINE GEARCASE, SEPARATOR DRIVE WET-	
	WEATHERPACK	40 - 86		CLUTCH AND PUMP DRIVE SHAFT	121 - 8
6G1	ELECTROMAGNETIC HEADER CLUTCH	121 - 24	6F6	ENGINE GEARCASE, STRAW CHOPPER, UNLOAD-	
2F21	ELECTRONIC BOARDS	40 - 84		ING DRIVE AND SEPARATOR DRIVE GEAR	121 - 4
2F21	ELECTRONIC HOUSING ASSEMBLY AND		1G9	ENGINE INTERCOOLER.....	24 - 101
	ELECTRONIC BOARDS	40 - 84	1G10	ENGINE INTERCOOLER HOSE	24 - 102
6D21	ELEMENT, CHAFFER	120 - 60	1J1	ENGINE MAJOR OVERHAUL GASKET SET.....	24 - 170
6D23	ELEMENT, CHAFFER	120 - 62	1C14	ENGINE OIL.....	24 - 1
6E1	ELEMENT, CHAFFER EXTENSION	120 - 64	1E3	ENGINE OIL BY-PASS VALVE	24 - 40
1H13	ELEMENT, FUEL FILTER	24 - 131	1H3	ENGINE OIL COOLER	24 - 120
6E5	ELEMENT, SIEVE	120 - 68	1H7	ENGINE OIL COOLER	24 - 124
1H16	ELEMENT,FUEL FILTER	24 - 134	1H9	ENGINE OIL COOLER	24 - 126
7F15	ELEVATOR DRIVE IDLER, CLEAN GRAIN	130 - 20	1H5	ENGINE OIL COOLER (6068).....	24 - 122
7F15	ELEVATOR DRIVE TIGHTENER, CLEAN GRAIN.....	130 - 20	1H7	ENGINE OIL COOLER HOSE.....	24 - 124
7F17	ELEVATOR SHIELDS, UPPER CLEAN GRAIN		1E11	ENGINE OIL DIPSTICK.....	24 - 48
	(-640100)	130 - 22	1E12	ENGINE OIL DIPSTICK.....	24 - 49
7F19	ELEVATOR SHIELDS, UPPER CLEAN GRAIN		1E12	ENGINE OIL DIPSTICK TUBE	24 - 49
	(640101-)	130 - 24	1E22	ENGINE OIL DRAIN HOSE.....	24 - 61
7H17	ELEVATOR, CLEAN GRAIN BELTS.....	170 - 3	1E23	ENGINE OIL DRAIN HOSE.....	24 - 62
7E24	ELEVATOR, LOWER, CLEAN GRAIN	130 - 4	1E21	ENGINE OIL DRAIN HOSE (6359T).....	24 - 60
7F1	ELEVATOR, LOWER, CLEAN GRAIN	130 - 6	1E10	ENGINE OIL FILL CAP	24 - 47
7F3	ELEVATOR, UPPER CLEAN GRAIN	130 - 8	1D4	ENGINE OIL FILL PLUG	24 - 16
112	END FRAME, STARTING MOTOR COMMUTATOR	24 - 145	1E11	ENGINE OIL FILTER	24 - 48
1C1	ENGINE MOUNTS, 6359 AND REAR SUPPORT	20 - 14	1E13	ENGINE OIL FILTER	24 - 50
4F20	ENGINE ACCESS DOOR, HANDRAILS, AND		1E14	ENGINE OIL FILTER	24 - 51
	RADIATOR DOOR.....	80 - 6	1E15	ENGINE OIL FILTER	24 - 52
4G7	ENGINE ACCESS PLATFORM AND STEP	80 - 18	1E16	ENGINE OIL FILTER	24 - 54
2E14	ENGINE AIR FILTER WARNING SWITCH.....	40 - 53	1H11	ENGINE OIL FILTER	24 - 129
1E7	ENGINE BASIC OVERHAUL KIT	24 - 44	1H12	ENGINE OIL FILTER	24 - 130
2F14	ENGINE CIRCUIT BREAKER		1E15	ENGINE OIL FILTER ADAPTER.....	24 - 52
	(-660100)	40 - 77	1E22	ENGINE OIL PAN	24 - 61
2F17	ENGINE CIRCUIT BREAKERS	40 - 80	1E23	ENGINE OIL PAN	24 - 62
2F15	ENGINE CIRCUIT BREAKERS		1E18	ENGINE OIL PUMP	24 - 56
	(660101-)	40 - 78	1E20	ENGINE OIL PUMP	24 - 59
4F24	ENGINE COMPARTMENT		1E19	ENGINE OIL PUMP (6068)	24 - 58
	(-640100)	80 - 10	1E19	ENGINE OIL PUMP DRIVE SHAFT (6068)	24 - 58
4G3	ENGINE COMPARTMENT		1E20	ENGINE OIL PUMP GEAR	24 - 59
	(-640100)	80 - 14	1E20	ENGINE OIL PUMP HOUSING	24 - 59
4G1	ENGINE COMPARTMENT		1E20	ENGINE OIL PUMP INTAKE.....	24 - 59
	(640100-)	80 - 12	1I21	ENGINE OVERHAUL GASKET SET.....	24 - 166
4G5	ENGINE COMPARTMENT		1I23	ENGINE OVERHAUL GASKET SET (624E)	24 - 168
	(640101-)	80 - 16	1D8	ENGINE PISTON	24 - 20
1H9	ENGINE COOLANT ADAPTER.....	24 - 126	1D11	ENGINE PISTON	24 - 23
1J10	ENGINE COOLANT HEATER	24 - 180	2E14	ENGINE PLUGGED AIR FILTER WARNING SWITCH ..	40 - 53
7H16	ENGINE DRIVE BELTS.....	170 - 2	4F24	ENGINE RAILS	
7H16	ENGINE DRIVE SHEAVES	170 - 2		(-640100)	80 - 10
1B23	ENGINE DRIVE, 6359	20 - 12	4G3	ENGINE RAILS	
				(-640100)	80 - 14
			4G1	ENGINE RAILS	
				(640100-)	80 - 12

ALPHABETICAL INDEX - CONTINUED

GRID		PAGE	GRID		PAGE
4G5	ENGINE RAILS (640101-)	80 - 16		F	
1D23	ENGINE SHORT BLOCK	24 - 36	1114	FAN DRIVE	24 - 158
1E1	ENGINE SHORT BLOCK	24 - 38	1114	FAN DRIVE HOUSING	24 - 158
1E5	ENGINE SHORT BLOCK	24 - 42	1114	FAN DRIVE HUB	24 - 158
2E17	ENGINE TACH SENSOR, 6068 UPPER PARTS	40 - 56	1114	FAN DRIVE PULLEY	24 - 158
2E17	ENGINE TACH SENSOR, 6359 UPPER PARTS	40 - 56	4G19	FAN DRIVE SHIELD (L-H SIDE)	80 - 30
2C17	ENGINE TEMPERATURE GAUGE	40 - 6	6H9	FAN DRIVE SPEED CONTROL LINKAGE (-640100)	121 - 56
5C23	ENGINE TEMPERATURE GAUGE	90 - 34	6H11	FAN DRIVE SPEED CONTROL LINKAGE (640101-655100)	121 - 58
2E17	ENGINE TEMPERATURE SENDER, 6068 UPPER PARTS	40 - 56	6H13	FAN DRIVE SPEED CONTROL LINKAGE (655101-)	121 - 60
2E17	ENGINE TEMPERATURE SENDER, 6359 UPPER PARTS	40 - 56	6H15	FAN DRIVE SPEED CONTROL SHEAVE LINKAGE	121 - 62
2E19	ENGINE TEMPERATURE SENDING SWITCH LOWER PARTS	40 - 58	1B19	FAN DRIVES, 6359 ENGINE	20 - 8
2E19	ENGINE TEMPERATURE SENDING SWITCH 6068, LOWER PARTS	40 - 58	2D15	FAN, AIR CONDITIONER PRESSURIZER KIT (640101-650100)	40 - 28
1G23	ENGINE THERMOSTAT	24 - 115	5E16	FAN, AIR CONDITIONING/HEATER AND PRESSURIZING	90 - 78
1G24	ENGINE THERMOSTAT	24 - 117	7H18	FAN, CLEANING, BELTS	170 - 4
1G23	ENGINE THERMOSTAT HOUSING	24 - 115	6H7	FAN, DRIVE, CLEANING, SEPARATOR	121 - 54
1G24	ENGINE THERMOSTAT HOUSING	24 - 117	5H23	FAN, DUST, LH SIDE FEEDER HOUSE-RETROFIT INSTALLATION	110 - 62
2E17	ENGINE UPPER HARNESS, 6068 UPPER PARTS	40 - 56	1B19	FAN, 6359 ENGINE	20 - 8
2E17	ENGINE UPPER HARNESS, 6359 UPPER PARTS	40 - 56	6D5	FANS, CLEANING	120 - 44
1C15	ENGINE VALVE STEM LUBRICANT	24 - 2	6D7	FANS, CLEANING	120 - 46
1F1	ENGINE VENTILATING SYSTEM	24 - 66	5H3	FEED PLATE LATCH HANDLE	110 - 42
1E25	ENGINE VENTILATOR TUBE	24 - 64	7H16	FEEDER CONVEYOR BELTS	170 - 2
1B24	ENGINE-TRANSMISSION COUPLING WITH HUB	20 - 13	5G24	FEEDER CONVEYOR BRACKET	110 - 38
2E19	ENGINE, LOWER, HARNESS, 6068 LOWER PARTS	40 - 58	5G24	FEEDER CONVEYOR DRIVE CHAIN	110 - 38
2E19	ENGINE, LOWER, HARNESS, 6359 LOWER PARTS	40 - 58	5H1	FEEDER CONVEYOR DRIVE CHAIN, TIGHTENER AND GUIDES	110 - 40
1E21	ENIGNE OIL PAN (6359T)	24 - 60	5H19	FEEDER CONVEYOR DRIVE CHAIN, TIGHTENER AND GUIDES-RETROFIT INSTALLATION	110 - 58
3G5	ETHER START BUTTON	60 - 24	5G24	FEEDER CONVEYOR IDLER	110 - 38
5E10	ETHER START BUTTON	90 - 72	4B22	FEEDER HOUSE , HYD. HOSE, VARIABLE DRIVE	70 - 9
2B18	ETHER STARTING AID (-655415)	30 - 8	2G22	FEEDER HOUSE BACKSHAFT SPEED SENSOR (645123-)	40 - 110
2B20	ETHER STARTING AID (655416-)	30 - 10	7H18	FEEDER HOUSE BELTS	170 - 4
5F8	EVAPORATOR/HEATER UNIT	90 - 96	5G3	FEEDER HOUSE DRIVE SHIELDS - CONTOUR MASTER (660101-660245)	110 - 16
5E20	EVAPORATOR, AIR CONDITIONER (-650100)R-12 REFRIGERANT	90 - 82	5G5	FEEDER HOUSE DRIVE SHIELDS - CONTOUR MASTER (660246-)	110 - 18
5E22	EVAPORATOR, AIR CONDITIONER (650101-) R134A REFRIGERANT	90 - 84	5G1	FEEDER HOUSE DRIVE SHIELDS AND SAFETY STOP	110 - 14
1F11	EXHAUST ADAPTER	24 - 76	6H17	FEEDER HOUSE DRIVE TIGHTENER	121 - 64
1F11	EXHAUST ELBOW	24 - 76	5F24	FEEDER HOUSE DRIVE TIGHTENER (FIXED SPEED)	110 - 12
1F11	EXHAUST MANIFOLD	24 - 76	5H21	FEEDER HOUSE DUST FAN BELT, LH SIDE - RETROFIT INSTALLATION	110 - 60
1F12	EXHAUST MANIFOLD	24 - 77	5H23	FEEDER HOUSE DUST FAN, LH SIDE - RETROFIT INSTALLATION	110 - 62
1F12	EXHAUST MANIFOLD GASKET	24 - 77	5G22	FEEDER HOUSE FLOOR	110 - 36
2C1	EXHAUST PIPE AND MUFFLER	30 - 16	5G7	FEEDER HOUSE FRAME AND FRONT SHAFT	110 - 20
1F9	EXHAUST VALVE	24 - 74	5G11	FEEDER HOUSE FRAME, TILT BEAM & CLOSURE PLATES, CONTOUR MASTER (660101-)	110 - 24
1F3	EXHAUST VALVE INSERT	24 - 68	5H13	FEEDER HOUSE FRONT DRIVE SHAFT, SHEAVE AND MOUNTINGS (FIXED SPEED WITH	110 - 52
1F5	EXHAUST VALVE INSERT	24 - 70	5D3	FEEDER HOUSE REVERSER FOOT CONTROL	90 - 38
1F7	EXHAUST VALVE INSERT	24 - 72	5F18	FEEDER HOUSE REVERSER FOOT CONTROL	110 - 6
1F3	EXHAUST VALVE ROTATOR	24 - 68	5G9	FEEDER HOUSE SHELL - CONTOUR MASTER (660101-)	110 - 22
1F3	EXHAUST VALVES	24 - 68	5G18	FEEDER HOUSE SLIP CLUTCH	110 - 32
1F5	EXHAUST VALVES	24 - 70	5H11	FEEDER HOUSE UPPER DRIVE SHAFT, SHEAVE AND MOUNTING (FIXED SPEED WITH	110 - 50
1F7	EXHAUST VALVES	24 - 72	5G16	FEEDER HOUSE UPPER SHAFT (-641500)	110 - 30
3B25	EXPORT, TRANSMISSION (-655399)	50 - 12			
6G9	EXTENDED RANGE CYLINDER DRIVE BELT	121 - 32			
6G17	EXTENDED RANGE CYLINDER DRIVE BELT	121 - 40			
6E1	EXTENSION ELEMENT, CHAFFER	120 - 64			

ALPHABETICAL INDEX - CONTINUED

GRID		PAGE	GRID		PAGE
5G20	FEEDER HOUSE UPPER SHAFT (641501-).....	110 - 34	5C3	FRAME, CAB AND SUPPORT	90 - 14
5G9	FEEDER HOUSE WEAR PLATES - CONTOUR MASTER (660101-).....	110 - 22	6E3	FRAME, CHAFFER	120 - 66
6B14	FEEDER HOUSE/SEPARATOR SEAL, STONE TRAP AND DOOR.....	120 - 2	5G7	FRAME, FEEDER HOUSE AND FRONT SHAFT	110 - 20
5H5	FEEDER HOUSE, UPPER COUNTERSHAFT VARIABLE DRIVE	110 - 44	5G11	FRAME, FEEDER HOUSE, CONTOUR MASTER (660101-).....	110 - 24
2C21	FIELD LIGHTING, AUXILIARY	40 - 10	4F16	FRAME, SEPARATOR.....	80 - 2
2G19	FIELD LIGHTS (660101-).....	40 - 106	7C19	FRAME, SHIELDS AND HANDLES, CHAFF SPREADER (-650100).....	125 - 32
2C15	FIELD LIGHTS SWITCH, AUX, OPTIONAL	40 - 4	6E7	FRAME, SIEVE	120 - 70
2B22	FILTER, AIR AND INTAKE TUBES - GRAIN.....	30 - 12	2C20	FRONT AND REAR TURN AND TAIL LIGHTS	40 - 9
2B24	FILTER, AIR AND INTAKE TUBES - GRAIN.....	30 - 14	3B22	FRONT AXLE.....	50 - 9
5C21	FILTER, CAB AIR	90 - 32	4H3	FRONT CORNER SHEET, R H	80 - 38
1E11	FILTER, ENGINE OIL	24 - 48	1D12	FRONT PLATE, ENGINE.....	24 - 24
1E13	FILTER, ENGINE OIL	24 - 50	1D13	FRONT PLATE, ENGINE.....	24 - 25
1H11	FILTER, ENGINE OIL	24 - 129	1D14	FRONT PLATE, ENGINE.....	24 - 26
1H13	FILTER, FUEL	24 - 131	1D15	FRONT PLATE, ENGINE.....	24 - 27
1H14	FILTER, FUEL	24 - 132	5F20	FRONT SHAFT WITH REVERSER (VARIABLE).....	110 - 8
1H16	FILTER, FUEL	24 - 134	4H11	FRONT SHIELD ASSEMBLY, LEFT SIDE	80 - 46
1H20	FILTER, FUEL	24 - 138	4H17	FRONT SHIELD ASSEMBLY, RIGHT SIDE.....	80 - 52
4B23	FILTER, MAIN HYDRAULIC	70 - 10	3G9	FRONT STEERING HOSES AND LINES.....	60 - 28
5E14	FILTERS, AIR CONDITIONER AND HEATER AND HOUSING.....	90 - 76	5F14	FRONT VARIABLE DRIVE SHEAVE AND MOUNTINGS	110 - 2
5E14	FILTERS, HEATER AND AIR CONDITIONING AND HOUSING.....	90 - 76	1H13	FUEL FILTER.....	24 - 131
3C10	FINAL DRIVE (RING AND PINION)	50 - 22	1H14	FUEL FILTER.....	24 - 132
3C12	FINAL DRIVE AXLE, GEAR AND BEARINGS (RING AND PINION)	50 - 25	1H16	FUEL FILTER.....	24 - 134
3C11	FINAL DRIVE BEARINGS (RING AND PINION)	50 - 23	1H20	FUEL FILTER.....	24 - 138
3C11	FINAL DRIVE HOUSING AND BRG. CAP (RING AND PINION)	50 - 23	1H13	FUEL FILTER ELEMENT.....	24 - 131
3C13	FINAL DRIVE PINION, SHAFTS AND BEARINGS (RING AND PINION)	50 - 26	1H16	FUEL FILTER ELEMENT.....	24 - 134
6H23	FINE CUT STRAW CHOPPER DRIVES (FRONT)	121 - 70	1H13	FUEL FILTER FUEL LINES.....	24 - 131
6I3	FINE CUT STRAW CHOPPER DRIVES (REAR).....	121 - 74	1H16	FUEL FILTER FUEL LINES.....	24 - 134
6C16	FINGER GRATE, SPIKE-TOOTH	120 - 30	1H14	FUEL FILTER LINES	24 - 132
7B14	FINS, SUPPORTS AND DECK, STRAW CHOPPER.....	125 - 2	1H20	FUEL FILTER LINES	24 - 138
2B12	FITTINGS, FUEL TANK.....	30 - 2	2C17	FUEL GAUGE	40 - 6
7H5	FITTINGS, LOWER LUBE HOSE, UNLOADING AUGER.....	130 - 58	5C23	FUEL GAUGE	90 - 34
2B16	FITTINGS, TANK FUEL LINES.....	30 - 6	1F15	FUEL INJECTION LINES.....	24 - 80
4E21	FITTINGS, TILT CYLINDER - CONTOUR MASTER	70 - 83	1F17	FUEL INJECTION LINES.....	24 - 82
7H7	FITTINGS, UPPER LUBE HOSE, UNLOADING AUGER.....	130 - 60	1F19	FUEL INJECTION LINES.....	24 - 84
3G18	FIXED REAR AXLE	60 - 37	1F22	FUEL INJECTION LINES.....	24 - 88
3G21	FIXED REAR AXLE STEERING TIE RODS.....	60 - 40	1F24	FUEL INJECTION LINES.....	24 - 90
3G22	FIXED REAR AXLE, 4-WHEEL DRIVE, STEERING TIE RODS	60 - 41	1F13	FUEL INJECTION NOZZLE.....	24 - 78
5F24	FIXED SPEED FEEDER HOUSE DRIVE TIGHTENER..	110 - 12	1F14	FUEL INJECTION NOZZLE.....	24 - 79
5B15	FLOOR MAT, CAB.....	90 - 2	1F21	FUEL INJECTION NOZZLE.....	24 - 87
5G22	FLOOR, FEEDER HOUSE	110 - 36	1F15	FUEL INJECTION PUMP.....	24 - 80
4B19	FLOW CONTROL VALVE, REEL DRIVE	70 - 6	1F17	FUEL INJECTION PUMP.....	24 - 82
1118	FLYWHEEL.....	24 - 163	1F19	FUEL INJECTION PUMP.....	24 - 84
1118	FLYWHEEL HOUSING	24 - 163	1F22	FUEL INJECTION PUMP.....	24 - 88
1119	FLYWHEEL HOUSING	24 - 164	1F24	FUEL INJECTION PUMP.....	24 - 90
5B17	FOAM, SEALS AND SOUND DEADENING, CAB	90 - 4	1F22	FUEL INJECTION PUMP DRIVE GEAR.....	24 - 88
5D3	FOOT PEDAL, FEEDER HOUSE REVERSER	90 - 38	1F24	FUEL INJECTION PUMP DRIVE GEAR.....	24 - 90
5F18	FOOT PEDAL, FEEDER HOUSE REVERSER	110 - 6	1G3	FUEL INJECTION PUMP ELECTRIC SHUT-OFF KIT	24 - 94
3E17	FOUR WHEEL DRIVE HYDRAULIC LINES AND HOS ES, L.H. (655101-).....	50 - 82	1F15	FUEL INJECTION SYSTEM	24 - 80
3G17	FOUR-WHEEL DRIVE	60 - 36	1F17	FUEL INJECTION SYSTEM	24 - 82
3D17	FOUR-WHEEL DRIVE (-655100).....	50 - 56	1F19	FUEL INJECTION SYSTEM	24 - 84
6D19	FRAME ARMS, PRECLEANER CHAFFER	120 - 58	1F22	FUEL INJECTION SYSTEM	24 - 88
			1F24	FUEL INJECTION SYSTEM	24 - 90
			1H18	FUEL LINE, FUEL TRANSFER PUMP	24 - 136
			1H13	FUEL LINES, FUEL FILTER	24 - 131
			1H16	FUEL LINES,FUEL FILTER.....	24 - 134
			2B14	FUEL PUMP, WATER SEPARATOR, AND FUEL SENDER	30 - 4
			2B14	FUEL SENDER	30 - 4
			2B12	FUEL TANK, SUPPORTS, AND FITTINGS	30 - 2
			1H18	FUEL TRANSFER PUMP	24 - 136
			1H19	FUEL TRANSFER PUMP	24 - 137
			1H22	FUEL TRANSFER PUMP	24 - 140
			1H18	FUEL TRANSFER PUMP FUEL LINE	24 - 136

ALPHABETICAL INDEX - CONTINUED

GRID		PAGE	GRID		PAGE
1H22	FUEL TRANSFER PUMP PUSH ROD	24 - 140	7G23	GRAIN TANK CROSS AUGERS.....	130 - 52
	G		2E23	GRAIN TANK DUAL LEVEL MONITOR HARNESS.....	40 - 62
1I20	GASKET SET, CYLINDER HEAD REMOVAL	24 - 165	2E21	GRAIN TANK LEVEL MONITOR.....	40 - 60
1J3	GASKET SET, CYLINDER HEAD REMOVAL	24 - 172	2E21	GRAIN TANK LIGHT	40 - 60
1I21	GASKET SET, ENGINE OVERHAUL	24 - 166	2F12	GRAIN TANK LIGHTS	40 - 75
1I23	GASKET SET, ENGINE OVERHAUL (624E)	24 - 168	7F21	GRAIN TANK TOP.....	130 - 26
1J1	GASKET SET,ENGINE MAJOR OVERHAUL.....	24 - 170	2E21	GRAIN TANK UNLOADING AUGER LIMIT SWITCH	40 - 60
1J3	GASKET SET,IN CHASSIS OVERHAUL	24 - 172	4E10	GRAIN TANK UNLOADING DRIVE CYLINDER.....	70 - 72
1F3	GASKET, CYLINDER HEAD	24 - 68	4E10	GRAIN TANK UNLOADING DRIVE CYLINDER MOUNTING	70 - 72
1F5	GASKET, CYLINDER HEAD	24 - 70	7G5	GRAIN TANK VERTICAL UNLOADING AUGER	130 - 34
1F7	GASKET, CYLINDER HEAD	24 - 72	7G5	GRAIN TANK VERTICAL UNLOADING AUGER HOUSING.....	130 - 34
1F9	GASKET, CYLINDER HEAD	24 - 74	2E21	GRAIN TANK WIRING HARNESS, LIGHT, LIMIT SWITCH AND LEVEL MONITOR	40 - 60
1D6	GASKET, TIMING GEAR COVER.....	24 - 18	6C4	GRATE AND RASP BAR CONCAVE	120 - 18
1F12	GASKET,EXHAUST MANIFOLD	24 - 77	6C6	GRATE AND RASP BAR CONCAVE	120 - 20
1E3	GASKET,PLASTIC	24 - 40	6C3	GRATE, BEATER CURTAIN (650437-)	120 - 16
1D4	GASKET,ROCKER ARM COVER	24 - 16	6C16	GRATE, FINGER, SPIKE-TOOTH.....	120 - 30
2C13	GAUGE BOARD CONN. (WIRING HARNESS).....	40 - 2	7C11	GUARD AND STRAW SPREADER MOUNTING	125 - 24
2C17	GAUGE, ENGINE TEMPERATURE	40 - 6	7H3	GUIDE, DRIVE BELT, UNLOADING AUGER.....	130 - 56
5C23	GAUGE, ENGINE TEMPERATURE	90 - 34	5H1	GUIDES, TIGHTENER AND FEEDER CONVEYOR DRIVE CHAIN	110 - 40
5F16	GEAR BOX, REVERSER.....	110 - 4	5H19	GUIDES, TIGHTENER AND FEEDER CONVEYOR DRIVE CHAIN-RETROFIT INSTALLATION	110 - 58
6G9	GEAR CASE, DUAL-RANGE CYLINDER DRIVE.....	121 - 32		H	
7G3	GEAR CASE, VERTICAL AUGER LOWER	130 - 32	5C19	HAND RAIL, R.H.....	90 - 30
1C23	GEAR, CAMSHAFT	24 - 10	5B23	HANDLE, CAB DOOR	90 - 10
1C24	GEAR, CAMSHAFT	24 - 11	6C23	HANDLE, LATCHES AND CONVEYOR AUGER CLEANOUT DOOR	120 - 37
1C19	GEAR, CRANKSHAFT.....	24 - 6	7C21	HANDLES AND SHIELDS, CHAFF SPREADER (DUAL MOTOR) (650101-)	125 - 34
1C22	GEAR, CRANKSHAFT REPLACEMENT (6359).....	24 - 9	5C7	HANDRAIL, OPERATOR'S PIVOTING PLATFORM	90 - 18
1E20	GEAR, ENGINE OIL PUMP.....	24 - 59	4F20	HANDRAILS, REAR LADDER LANDING	80 - 6
3C12	GEAR, FINAL DRIVE (RING AND PINION)	50 - 25	5F10	HARDWARE KIT, CAB	90 - 98
1F22	GEAR, FUEL INJECTION PUMP DRIVE	24 - 88	5F1	HARDWARE KIT, COMPRESSOR (-650100) R-12	90 - 88
1F24	GEAR, FUEL INJECTION PUMP DRIVE	24 - 90	5F6	HARDWARE KIT, COMPRESSOR (650101-) R134A.....	90 - 94
6G23	GEARCASE DRIVE, STRAW WALKER	121 - 46	2G9	HARNESS CONNECTORS, LOWER, FOR 6359 ENGINE	40 - 96
7F13	GEARCASE, CLEAN GRAIN ELEVATOR	130 - 18	2G11	HARNESS CONNECTORS, UPPER, FOR 6359 ENGINE	40 - 98
6F16	GEARCASE, DRIVE SHAFT AND PRIMARY COUNTERSHAFT	121 - 14	2E5	HARNESS FOR REAR LIGHTS AND SHIELDS	40 - 44
6F8	GEARCASE, ENGINE	121 - 6	2E3	HARNESS WIRING, MAIN, L.H. CENTER	40 - 42
6F10	GEARCASE, ENGINE	121 - 8	2E19	HARNESS, LOWER, ENGINE, 6068 LOWER PARTS.....	40 - 58
6F14	GEARCASE, ENGINE	121 - 12	2E19	HARNESS, LOWER, ENGINE, 6359 LOWER PARTS.....	40 - 58
6F12	GEARCASE, ENGINE (SEPARATOR AND PUMP DRIVE)	121 - 10	2E17	HARNESS, UPPER ENGINE, 6068 UPPER PARTS	40 - 56
4F5	GEARCASE, ENGINE, OIL FILTER ASSEMBLY.....	70 - 92	2E17	HARNESS, UPPER, ENGINE, 6359 UPPER PARTS	40 - 56
7G13	GEARCASE, HORIZONTAL UNLOADING AUGER DRIVE	130 - 42	2D11	HARNESS, WIRING, A/C, HEATER AND AIRSEAT (660101-)	40 - 24
6F22	GEARCASE, PRIMARY COUNTERSHAFT (-640100)	121 - 20	2D24	HARNESS, WIRING, MAIN, L.H. FRONT.....	40 - 38
6F18	GEARCASE, PRIMARY COUNTERSHAFT (-640100).....	121 - 16	2E7	HARNESS, WIRING, R.H. MAIN.....	40 - 46
6F24	GEARCASE, PRIMARY COUNTERSHAFT (640101-)	121 - 22	2D5	HARNESS, WIRING, STEERING COLUMN (-645340).....	40 - 18
6F20	GEARCASE, PRIMARY COUNTERSHAFT (640101-).....	121 - 18	2D7	HARNESS, WIRING, STEERING COLUMN (646237-)	40 - 20
6H1	GEARCASE, STRAW WALKER DRIVE	121 - 48	2C17	HARVESTRAK	40 - 6
3C8	GEARS, DIFFERENTIAL	50 - 20	5C23	HARVESTRAK	90 - 34
1C16	GEARS, IDLER	24 - 3			
3C4	GEARS, TRANSMISSION	50 - 16			
3C6	GEARS, TRANSMISSION PINION	50 - 18			
3C2	GEARSHIFT LEVER AND LINKAGE	50 - 14			
5D1	GEARSHIFT LEVER AND LINKAGE	90 - 36			
5C1	GLASS, CAB AND DOOR.....	90 - 12			
5E1	GLOVE BOX AND ARM REST, R.H.	90 - 62			
6D17	GRAIN LEAK KIT.....	120 - 56			
7G1	GRAIN TANK AND CURTAINS.....	130 - 30			
7F23	GRAIN TANK BASE.....	130 - 28			

ALPHABETICAL INDEX - CONTINUED

GRID		PAGE	GRID		PAGE
2E15	HARVESTRAK MONITOR WIRING HARNESS	40 - 54	4C21	HOSES AND LINES, ACCUMULATOR (-655100) (ONE-HALF GALLON)	70 - 32
1F3	HEAD, CYLINDER	24 - 68	4C23	HOSES AND LINES, ACCUMULATOR (655101-) (ONE GALLON)	70 - 34
1F5	HEAD, CYLINDER	24 - 70	7D13	HOSES AND LINES, CHAFF SPREADER (DUAL MOTOR) (650101-)	125 - 50
1F7	HEAD, CYLINDER	24 - 72	3E17	HOSES AND LINES, FOUR WHEEL DRIVE HYDRAU LIC, L.H. (655101-)	50 - 82
1F9	HEAD, CYLINDER	24 - 74	4C11	HOSES AND LINES, HEADER LIFT	70 - 22
7H18	HEADER BELTS	170 - 4	4D7	HOSES AND LINES, HYDRAULIC, CYLINDER SPEED	70 - 42
6G1	HEADER ELECTROMAGNETIC CLUTCH	121 - 24	3E9	HOSES AND LINES, HYDRO. OIL COOLER (-640100)	50 - 74
7H10	HEADER HEIGHT CONTROL, DIAL-A-MATIC HYDRAULIC LINE AND VALVE BLOCK	160 - 1	3E13	HOSES AND LINES, HYDRO. OIL COOLER (665101-)	50 - 78
7H11	HEADER HEIGHT CONTROL, ELECTRIC HARNESS, DIAL-A-MATIC	160 - 2	3E11	HOSES AND LINES, OIL COOLER, HYDROSTATIC (640101-665100)	50 - 76
4C15	HEADER LIFT CYLINDER, HYDRAULIC	70 - 26	4E24	HOSES AND LINES, OIL COOLER, WET CLUTCH (640101-665100)	70 - 86
4C17	HEADER LIFT HYDRAULIC CYLINDER KIT	70 - 28	3D22	HOSES AND LINES, OIL, HYDROSTATIC DRIVE, LOWER (2&4 WHEEL DRIVE)(655101-)	50 - 62
4C11	HEADER LIFT LINES AND HOSES	70 - 22	4C1	HOSES AND LINES, REEL DRIVE, HYD., FRONT	70 - 12
4D11	HEADER LIFT MODULE, SOLENOID CONTROL VALVE	70 - 46	4B17	HOSES AND LINES, REEL DRIVE, HYDRAULIC, L.H. SIDE	70 - 4
3B15	HEADER LIFT/LOWER SWITCH	50 - 2	4C5	HOSES AND LINES, REEL LIFT	70 - 16
1A6	HEADERS.....	10 - 5	3G9	HOSES AND LINES, STEERING, FRONT	60 - 28
2D17	HEATER AND AIR CONDITIONER SWITCH.....	40 - 30	3G15	HOSES AND LINES, STEERING, REAR	60 - 34
5C22	HEATER AND AIR CONDITIONING DUCTS	90 - 33	4E8	HOSES AND LINES, UNLOADING AUGER SWING HYDRAULIC CYLINDER	70 - 70
5E14	HEATER AND AIR CONDITIONING HOUSING AND FILTERS.....	90 - 76	4E22	HOSES AND LINES, WET CLUTCH OIL COOLER, HYDRAULIC (-640100)	70 - 84
2D9	HEATER AND AIR CONDITONER (WIRING HARNESS)(-660100).....	40 - 22	4F1	HOSES AND LINES, WET CLUTCH OIL COOLER, HYDRAULIC (665101-)	70 - 88
5F8	HEATER SYSTEM	90 - 96	2C3	HOSES AND RADIATOR	30 - 18
2D9	HEATER WIRING HARNESS (-660100)	40 - 22	5E20	HOSES, AIR CONDITIONER (-650100) R-12 REFRIGERANT	90 - 82
2D11	HEATER WIRING HARNESS (660101-)	40 - 24	5E22	HOSES, AIR CONDITIONER (650101-) R134A REFRIGERANT	90 - 84
5E16	HEATER/AIR CONDITIONING AND PRESSURIZING FAN	90 - 78	1G10	HOSES, ENGINE INTERCOOLER	24 - 102
1C3	HEATER, COOLANT, ENGINE BLOCK	20 - 16	4E10	HOSES, GRAIN TANK UNLOADING DRIVE CYLINDER	70 - 72
1J10	HEATER, ENGINE COOLANT	24 - 180	5F8	HOSES, HEATER	90 - 96
5D14	HEIGHT ADJUSTER, CAB SEAT	90 - 50	4C13	HOSES, HYDRAULIC, CONTOUR MASTER (L.H.) (OPTIONAL) (660101-)	70 - 24
5E20	HIGH PRESSURE SWITCH, AIR CONDITIONER (-650100) R-12 REFRIGERANT	90 - 82	4C3	HOSES, HYDRAULIC, REEL PUMP.....	70 - 14
5E22	HIGH PRESSURE SWITCH, AIR CONDITIONER (650101-) R134A REFRIGERANT	90 - 84	7D11	HOSES, LINES AND MOTOR, CHAFF SPREADER (-650100)	125 - 48
7E22	HINGED DOOR, LOWER AUGER, CLEAN GRAIN.....	130 - 2	3G11	HOSES, LINES, STEERING, L.H. SIDE	60 - 30
2F13	HOLDDOWN, BATTERY	40 - 76	7E17	HOSES, LUBE, L. H.	125 - 78
5E9	HOLDER, CUP (660101-)	90 - 70	7E15	HOSES, LUBE, R. H.	125 - 76
4G15	HOOD, REAR.....	80 - 26	3E1	HOSES, OIL, HYDROSTATIC DRIVE, LOWER (FOUR WHEEL DRIVE) (655101-)	50 - 66
7G17	HORIZONTAL UNLOADING AUGER (14- AND 17-FT.).....	130 - 46	3D24	HOSES, OIL, HYDROSTATIC DRIVE, LOWER (FOUR WHEEL DRIVE)(-655100)	50 - 64
7G19	HORIZONTAL UNLOADING AUGER (17-FT.).....	130 - 48	3E3	HOSES, OIL, HYDROSTATIC DRIVE, LOWER (TWO WHEEL DRIVE) (655101-)	50 - 68
7G11	HORIZONTAL UNLOADING AUGER HUB SUPPORT	130 - 40	3D20	HOSES, OIL, HYDROSTATIC DRIVE, LOWER (2&4 WHEEL DRIVE)(-655100)	50 - 60
7G13	HORIZONTAL UNLOADING AUGER DRIVE GEARCASE	130 - 42	3E5	HOSES, OIL, HYDROSTATIC DRIVE, UPPER (FOUR WHEEL DRIVE) (-655100)	50 - 70
7G15	HORIZONTAL UNLOADING AUGER HOUSING (14- AND 17-FT.).....	130 - 44	4D5	HOSES, PRESSURE, HYDRAULIC	70 - 40
7G7	HORIZONTAL UNLOADING AUGER SWIVEL.....	130 - 36	3G3	HOSES, STEERING, UPPER	60 - 22
3G5	HORN BUTTON	60 - 24	4E21	HOSES, TILT CYLINDER - CONTOUR MASTER	70 - 83
5E10	HORN BUTTON	90 - 72	4D3	HOSES, UPPER RETURN, HYDRAULIC	70 - 38
7H5	HOSE FITTINGS, LOWER LUBE, UNLOADING AUGER.....	130 - 58	3E7	HOSES, UPPER, HYDROSTATIC DRIVE (FOUR WHEEL DRIVE)(655101-)	50 - 72
7H7	HOSE FITTINGS, UPPER LUBE, UNLOADING AUGER.....	130 - 60	3E20	HOSES, 4-WHEEL DRIVE.....	50 - 86
4F10	HOSE, CHARGE PRESSURE (640100-)	70 - 98			
1H7	HOSE, ENGINE OIL COOLER	24 - 124			
4B22	HOSE, HYDRAULIC, VARIABLE DRIVE, FEEDER HOUSE.....	70 - 9			
1F1	HOSE, VENTILATION SYSTEM	24 - 66			

ALPHABETICAL INDEX - CONTINUED

GRID		PAGE	GRID		PAGE
7C3	HOUSING AND KNIFEBANK, STRAW CHOPPER (655101-)	125 - 16	4E16	HYDRAULIC MOUNTING, UNLOADING AUGER SWING (655356-)	70 - 78
6C24	HOUSING AND SHOE GRAIN SUPPLY AUGERS	120 - 38	2E17	HYDRAULIC OIL TEMP. SWITCH, 6068 UPPER PARTS	40 - 56
6D1	HOUSING AND SHOE GRAIN SUPPLY AUGERS	120 - 40	2E17	HYDRAULIC OIL TEMP. SWITCH, 6359 UPPER PARTS	40 - 56
3C1	HOUSING COVER, TRANSMISSION AND DIFFERENTIAL	50 - 13	4D5	HYDRAULIC PRESSURE LINES AND HOSES	70 - 40
5E14	HOUSING, AIR CONDITIONER/HEATER AND FILTERS.....	90 - 76	4E6	HYDRAULIC PUMP FEEDER HOUSE / REEL DRIVE ..	70 - 68
5C21	HOUSING, CAB AIR FILTER	90 - 32	4E6	HYDRAULIC PUMP REEL / FEEDER HOUSE DRIVE ..	70 - 68
7G5	HOUSING, CHARGE, VERTICAL UNLOADING AUGER.....	130 - 34	4E4	HYDRAULIC PUMP, MAIN	70 - 66
2F21	HOUSING, ELECTRONIC ASSEMBLY.....	40 - 84	4D1	HYDRAULIC RETURN LINES.....	70 - 36
1114	HOUSING, FAN DRIVE	24 - 158	4D3	HYDRAULIC RETURN LINES, UPPER	70 - 38
3C11	HOUSING, FINAL DRIVE (RING AND PINION)	50 - 23	4D9	HYDRAULIC/HYDROSTATIC OIL RESERVOIR.....	70 - 44
1118	HOUSING, FLYWHEEL	24 - 163	4B23	HYDRAULIC, MAIN, FILTER.....	70 - 10
1119	HOUSING, FLYWHEEL	24 - 164	3B15	HYDRO LEVER ASSEMBLY.....	50 - 2
5E14	HOUSING, HEATER/AIR CONDITIONING AND FILTERS.....	90 - 76	3C24	HYDRO. DR. DISPLACEMENT CONTROL VALVE.....	50 - 38
7G15	HOUSING, HORIZONTAL UNLOADING AUGER (14- AND 17-FT.).....	130 - 44	3E9	HYDRO. OIL COOLER LINES AND HOSES (-640100)	50 - 74
3C19	HOUSING, HYDROSTATIC PUMP (RING AND PINION)	50 - 32	3E13	HYDRO. OIL COOLER LINES AND HOSES (665101-)	50 - 78
3G20	HOUSING, SPINDLE, REAR AXLE	60 - 39	3C22	HYDROSTATIC DRIVE CHARGE PUMP (RING AND PINION)	50 - 35
1H25	HOUSING, STARTER DRIVE	24 - 143	3C23	HYDROSTATIC DRIVE CHARGE PUMP (RING AND PINION)	50 - 36
117	HOUSING, STARTING MOTOR DRIVE	24 - 150	3B17	HYDROSTATIC DRIVE CONTROL CABLES (-645100)	50 - 4
7C1	HOUSING, STRAW CHOPPER (-655100)	125 - 14	3B19	HYDROSTATIC DRIVE CONTROL CABLES (645101-)	50 - 6
7E1	HOUSING, TAILINGS ELEVATOR	125 - 62	3E7	HYDROSTATIC DRIVE HOSES, UPPER (FOUR WHEEL DRIVE)(655101-)	50 - 72
3B24	HOUSING, TRANSMISSION AND DIFFERENTIAL	50 - 11	3B15	HYDROSTATIC DRIVE LEVER AND CABLE	50 - 2
1G7	HOUSING, TURBOCHARGER, CENTER.....	24 - 99	3E23	HYDROSTATIC DRIVE MOTOR.....	50 - 90
7E9	HOUSING, UPPER TAILINGS AUGER	125 - 70	3D1	HYDROSTATIC DRIVE MOTOR, FIXED (RING AND PINION)	50 - 40
1E20	HOUSING,ENGINE OIL PUMP	24 - 59	3C17	HYDROSTATIC DRIVE MOTOR, KIT (RING AND PINION)	50 - 30
1114	HUB, FAN DRIVE	24 - 158	3E5	HYDROSTATIC DRIVE OIL HOSES, UPPER (FOUR WHEEL DRIVE) (-655100).....	50 - 70
4B22	HYDRAULIC CONVERSION KIT, 200 SERIES CUTTING PLATFORM.....	70 - 9	3D24	HYDROSTATIC DRIVE OIL LINES AND HOSES, LOWER (FOUR WHEEL DRIVE)(-655100).....	50 - 64
4E12	HYDRAULIC CYLINDER, UNLOADING AUGER SWING (-650100)	70 - 74	3E1	HYDROSTATIC DRIVE OIL LINES AND HOSES, LOWER (FOUR WHEEL DRIVE)(655101-).....	50 - 66
4E14	HYDRAULIC CYLINDER, UNLOADING AUGER SWING (650101-655355)	70 - 76	3E3	HYDROSTATIC DRIVE OIL LINES AND HOSES, LOWER (TWO WHEEL DRIVE)(655101-).....	50 - 68
4B22	HYDRAULIC HOSE, VARIABLE DRIVE, FEEDER HOUSE.....	70 - 9	3D20	HYDROSTATIC DRIVE OIL LINES AND HOSES, LOWER (2&4 WHEEL DRIVE)(-655100).....	50 - 60
4C13	HYDRAULIC HOSES, CONTOUR MASTER (L.H.) (OPTIONAL) (660101-)	70 - 24	3D22	HYDROSTATIC DRIVE OIL LINES AND HOSES, LOWER (2&4 WHEEL DRIVE)(655101-)	50 - 62
4C3	HYDRAULIC HOSES, REEL PUMP	70 - 14	3C21	HYDROSTATIC DRIVE PISTON.....	50 - 34
4D7	HYDRAULIC LINES AND HOSES, CYLINDER SPEED	70 - 42	3F1	HYDROSTATIC DRIVE PUMP - MAIN HYDRAULIC PUMP CONNECTING HARDWARE	50 - 92
4C11	HYDRAULIC LINES AND HOSES, HEADER LIFT	70 - 22	3C18	HYDROSTATIC DRIVE PUMP COVER	50 - 31
3E17	HYDRAULIC LINES AND HOSES, L.H., FOUR WH EEL DRIVE (655101-).....	50 - 82	3C15	HYDROSTATIC DRIVE PUMP COVER (RING AND PINION)	50 - 28
4C7	HYDRAULIC LINES AND HOSES, REEL FORE-AND-AFT, FRONT	70 - 18	3C15	HYDROSTATIC DRIVE PUMP SHAFT (RING AND PINION)	50 - 28
4E22	HYDRAULIC LINES AND HOSES, WET CLUTCH OIL COOLER (-640100)	70 - 84	3E11	HYDROSTATIC OIL COOLER LINES AND HOSES (640101-665100)	50 - 76
4F1	HYDRAULIC LINES AND HOSES, WET CLUTCH OIL COOLER (665101-)	70 - 88	4D9	HYDROSTATIC/HYDRAULIC RESERVOIR	70 - 44
3E15	HYDRAULIC LINES AND HOSES, 4-WHEEL DRIVE L.H. SIDE (-655100)	50 - 80			
3E19	HYDRAULIC LINES, CASE DRAIN, 4-WHEEL DRIVE	50 - 84			
4C9	HYDRAULIC LINES, REEL FORE-AND-AFT, L.H. SIDE	70 - 20			
4E14	HYDRAULIC MOUNTING, UNLOADING AUGER SWING (650101-655355).....	70 - 76			
4E12	HYDRAULIC MOUNTING, UNLOADING AUGER SWING (-650100)	70 - 74			

ALPHABETICAL INDEX - CONTINUED

GRID		PAGE	GRID		PAGE
4G11	LATCH ARM, REAR LADDER LANDING (-640100)	80 - 22	4C1	LINES AND HOSES, REEL DRIVE, HYD., FRONT.....	70 - 12
4G13	LATCH ARM, REAR LADDER LANDING (640101-)	80 - 24	4B17	LINES AND HOSES, REEL DRIVE, HYDRAULIC, L.H. SIDE	70 - 4
5H3	LATCH HANDLE, FEED PLATE	110 - 42	4C5	LINES AND HOSES, REEL LIFT	70 - 16
5B23	LATCH, CAB DOOR	90 - 10	3G9	LINES AND HOSES, STEERING, FRONT	60 - 28
7G3	LATCH, GRAIN TANK CLEAN OUT CHUTE	130 - 32	3G15	LINES AND HOSES, STEERING, REAR	60 - 34
5C9	LATCH, OPERATOR'S PLATFORM	90 - 20	4E8	LINES AND HOSES, UNLOADING AUGER SWING HYDRAULIC CYLINDER	70 - 70
6C23	LATCHES, HANDLE AND CONVEYOR AUGER CLEANOUT DOOR	120 - 37	4E22	LINES AND HOSES, WET CLUTCH OIL COOLER, HYDRAULIC (-640100)	70 - 84
6D3	LEAF SCREENS, CLEANING FAN (CORN) (660193-)	120 - 42	4F1	LINES AND HOSES, WET CLUTCH OIL COOLER, HYDRAULIC (665101-)	70 - 88
6D17	LEAK KIT, GRAIN	120 - 56	3E20	LINES AND HOSES, 4-WHEEL DRIVE	50 - 86
4H11	LEFT SIDE FRONT SHIELD ASSEMBLY	80 - 46	3F18	LINES, BRAKE, RESERVOIR, MASTER CYLINDER	60 - 12
4H15	LEFT SIDE SHIELD ASSEMBLY	80 - 50	1H14	LINES, FUEL FILTER	24 - 132
5E7	LEFT-HAND ARMREST	90 - 68	1H20	LINES, FUEL FILTER	24 - 138
7I19	LEFT-HAND DECALS	170 - 30	1F15	LINES, FUEL INJECTION	24 - 80
5C15	LEFT-HAND LANDING AND MIRROR (-650100)	90 - 26	1F17	LINES, FUEL INJECTION	24 - 82
2E23	LEVEL MONITOR WIRING HARNESS, DUAL.....	40 - 62	1F19	LINES, FUEL INJECTION	24 - 84
2E23	LEVEL MONITOR, DUAL	40 - 62	1F22	LINES, FUEL INJECTION	24 - 88
2E21	LEVEL MONITOR, GRAIN TANK	40 - 60	1F24	LINES, FUEL INJECTION	24 - 90
3B15	LEVER ASSEMBLY, GEARSHIFT	50 - 2	3G11	LINES, HOSES, STEERING, L.H. SIDE	60 - 30
5D12	LEVER, ADJUSTER, OPERATOR'S SEAT	90 - 48	7D9	LINES, HOSES, VALVE AND PUMP, CHAFF SPREADER	125 - 46
3C2	LEVER, GEARSHIFT	50 - 14	4C3	LINES, HYDRAULIC, REEL PUMP	70 - 14
5D1	LEVER, GEARSHIFT	90 - 36	3E1	LINES, OIL, HYDROSTATIC DRIVE, LOWER (FOUR WHEEL DRIVE) (655101-)	50 - 66
4C15	LIFT CYLINDER, HEADER, HYDRAULIC	70 - 26	3D24	LINES, OIL, HYDROSTATIC DRIVE, LOWER (FOUR WHEEL DRIVE)(-655100)	50 - 64
4C17	LIFT, HEADER, HYDRAULIC CYLINDER KIT	70 - 28	3E3	LINES, OIL, HYDROSTATIC DRIVE, LOWER (TWO WHEEL DRIVE) (655101-)	50 - 68
2C13	LIGHT SWITCH (WIRING HARNESS)	40 - 2	3D20	LINES, OIL, HYDROSTATIC DRIVE, LOWER (2&4 WHEEL DRIVE)(-655100)	50 - 60
2F11	LIGHT SWITCH, SHOE ADJUSTING	40 - 74	3F10	LINES, PARKING BRAKE (-640100)	60 - 4
2C12	LIGHT, CAB DOME	40 - 1	4D5	LINES, PRESSURE, HYDRAULIC	70 - 40
2E21	LIGHT, GRAIN TANK.....	40 - 60	4D1	LINES, RETURN, HYDRAULIC	70 - 36
2E23	LIGHT, UNLOADING AUGER	40 - 62	3G13	LINES, STEERING R.H. SIDE	60 - 32
2D1	LIGHTER, CIGARETTE	40 - 14	2B16	LINES, TANK FUEL	30 - 6
2C21	LIGHTING, AUXILIARY, FIELD	40 - 10	1G18	LINES, TURBOCHARGER OIL	24 - 110
2C19	LIGHTS, CAB ROOF	40 - 8	4D3	LINES, UPPER RETURN, HYDRAULIC	70 - 38
2G19	LIGHTS, FIELD (660101-)	40 - 106	3C2	LINKAGE, GEARSHIFT	50 - 14
2C20	LIGHTS, FRONT AND REAR TAIL	40 - 9	5D1	LINKAGE, GEARSHIFT	90 - 36
2C20	LIGHTS, FRONT AND REAR TURN	40 - 9	6H15	LINKAGE, SHEAVE, FAN DRIVE SPEED CONTROL....	121 - 62
2F12	LIGHTS, ROW	40 - 75	6H9	LINKAGE, SPEED CONTROL, FAN DRIVE (-640100)	121 - 56
2G17	LIGHTS, TRANSPORT WARNING	40 - 104	6H11	LINKAGE, SPEED CONTROL, FAN DRIVE (640101-655100)	121 - 58
2E21	LIMIT SWITCH, GRAIN TANK UNLOADING AUGER	40 - 60	6H13	LINKAGE, SPEED CONTROL, FAN DRIVE (655101-)	121 - 60
3F3	LINE, RESERVOIR RETURN	50 - 94	7F11	LOADING AUGER, CLEAN GRAIN	130 - 16
1D8	LINER, CYLINDER.....	24 - 20	7F10	LOADING AUGER, CLEAN GRAIN, FOLD (660101-)	130 - 15
1D11	LINER, CYLINDER	24 - 23	5E3	LOCKING LEVER, ARMREST, R.H. (-640100).....	90 - 64
7D7	LINES AND FITTING, CHAFF SPREADER	125 - 44	5G15	LOCKOUT ADAPTER KIT - CONTOUR MASTER (BELT PU & 4R CORN HEADS)(660101-)	110 - 28
7D13	LINES AND HOSES, CHAFF SPREADER (DUAL MOTOR) (650101-)	125 - 50	6G11	LOCKOUT ARM, DUAL-RANGE	121 - 34
3E17	LINES AND HOSES, FOUR WHEEL DRIVE HYDRAU LIC, L.H. (655101-)	50 - 82	5G13	LOCKOUT ASSEMBLY - CONTOUR MASTER (OPTIONAL) (660101-)	110 - 26
4C11	LINES AND HOSES, HEADER LIFT	70 - 22	2E3	LOGIC MODULE	40 - 42
4D7	LINES AND HOSES, HYDRAULIC, CYLINDER SPEED	70 - 42	2E13	LOW SHAFT SPEED SENSORS AND BRACKETS	40 - 52
3E15	LINES AND HOSES, HYDRAULIC, 4-WHEEL DRIVE, L.H. SIDE (-655100)	50 - 80	7E22	LOWER AUGER, CLEAN GRAIN	130 - 2
3E9	LINES AND HOSES, HYDRO. OIL COOLER (-640100)	50 - 74	7E24	LOWER ELEVATOR, CLEAN GRAIN	130 - 4
3E13	LINES AND HOSES, HYDRO. OIL COOLER (665101-)	50 - 78	7F1	LOWER ELEVATOR, CLEAN GRAIN	130 - 6
3E11	LINES AND HOSES, OIL COOLER, HYDROSTATIC (640101-665100)	50 - 76	2E19	LOWER HARNESS FOR 6068 ENGINE LOWER PARTS.....	40 - 58
4E24	LINES AND HOSES, OIL COOLER, WET CLUTCH (640101-665100)	70 - 86			
3D22	LINES AND HOSES, OIL, HYDROSTATIC DRIVE, LOWER (2&4 WHEEL DRIVE)(655101-)	50 - 62			

ALPHABETICAL INDEX - CONTINUED

GRID		PAGE	GRID		PAGE
2E19	LOWER HARNESS FOR 6359 ENGINE LOWER PARTS.....	40 - 58	4D10	MODULE, RELIEF VALVE, SOLENOID CONTROL.....	70 - 45
3D24	LOWER HYDROSTATIC DRIVE OIL LINES AND HOSES (FOUR WHEEL DRIVE)(-655100)	50 - 64	4E1	MODULE, SIX STACK SOLENOID CONTROL VALVE ASSEMBLY & MOUNTINGS (660101-)	70 - 62
3E1	LOWER HYDROSTATIC DRIVE OIL LINES AND HOSES (FOUR WHEEL DRIVE)(655101-)	50 - 66	2E15	MONITOR WIRING HARNESS, HARVESTRAK.....	40 - 54
3E3	LOWER HYDROSTATIC DRIVE OIL LINES AND HOSES (TWO WHEEL DRIVE)(655101-)	50 - 68	2E21	MONITOR, LEVEL, GRAIN TANK.....	40 - 60
3D20	LOWER HYDROSTATIC DRIVE OIL LINES AND HOSES (2&4 WHEEL DRIVE)(-655100)	50 - 60	1I4	MOTOR KIT, STARTING.....	24 - 147
3D22	LOWER HYDROSTATIC DRIVE OIL LINES AND HOSES (2&4 WHEEL DRIVE)(655101-)	50 - 62	1I9	MOTOR 12 VOLT, STARTER	24 - 152
7D21	LOWER TAILINGS AUGER.....	125 - 58	2F9	MOTOR, ADJUSTING, CONCAVE	40 - 72
7H19	LOWER TAILINGS AUGER BELT	170 - 5	2F1	MOTOR, ADJUSTING, SEPARATOR FAN DRIVE	40 - 64
7E5	LOWER TAILINGS AUGER CHAIN TIGHTENER	125 - 66	3D4	MOTOR, CAM LOBE (STEERABLE MOTOR)	50 - 43
7E7	LOWER TAILINGS AUGER DRIVE TIGHTENER	125 - 68	4B21	MOTOR, CHAFF SPREADER (EATON) (655929-)	70 - 8
7D21	LOWER TAILINGS AUGER SHAFT	125 - 58	3E23	MOTOR, HYDROSTATIC DRIVE	50 - 90
7D21	LOWER TAILINGS AUGER SHAFT TIGHTENER	125 - 58	3D1	MOTOR, HYDROSTATIC DRIVE, FIXED (RING AND PINION)	50 - 40
7D23	LOWER TAILINGS AUGER TROUGH	125 - 60	2G13	MOTOR, REEL SPEED, AND BRACKET.....	40 - 100
7E4	LOWER TROUGH SUPPORT	125 - 65	1H25	MOTOR, STARTER DRIVE.....	24 - 143
7H5	LUBE HOSE FITTINGS, LOWER, UNLOADING AUGER.....	130 - 58	1H23	MOTOR, STARTING	24 - 141
7H7	LUBE HOSE FITTINGS, UPPER, UNLOADING AUGER.....	130 - 60	4C21	MOUNTING AND DUAL ACCUMULATOR (-655100) (ONE-HALF GALLON)	70 - 32
7E17	LUBE HOSES L. H.	125 - 78	1I11	MOUNTING BRACKETS, ALTERNATOR.....	24 - 154
7E15	LUBE HOSES R. H.	125 - 76	7D3	MOUNTING SUPPORT, CHAFF SPREADER	125 - 40
3C4	LUBE PUMP, TRANSMISSION.....	50 - 16	4E10	MOUNTING, GRAIN TANK UNLOADING DRIVE CYLINDER	70 - 72
1C15	LUBRICANT, CYLINDER LINER PACKING	24 - 2	4D9	MOUNTING, HYDRAULIC/HYDRO OIL RESERVOIR ...	70 - 44
1C15	LUBRICANT, ENGINE VALVE STEM.....	24 - 2	4C23	MOUNTING, ONE GALLON ACCUMULATOR (655101-)	70 - 34
M					
1D17	MAIN BEARING CAP.....	24 - 30	7C11	MOUNTING, STRAW SPREADER AND GUARD	125 - 24
1D19	MAIN BEARING CAP.....	24 - 32	4E12	MOUNTING, UNLOADING AUGER SWING HYDRAULIC (-650100)	70 - 74
1D20	MAIN BEARING CAP.....	24 - 33	4E14	MOUNTING, UNLOADING AUGER SWING HYDRAULIC (650101-655355)	70 - 76
1D21	MAIN BEARING CAP.....	24 - 34	4E16	MOUNTING, UNLOADING AUGER SWING HYDRAULIC (655356-)	70 - 78
1E3	MAIN BEARING CAP.....	24 - 40	4E1	MOUNTINGS, SIX STACK SOLENOID CONTROL VALVE (660101-)	70 - 62
1C16	MAIN BEARINGS.....	24 - 3	4D24	MOUNTINGS, SOLENOID CONTROL VALVE MODULE ASSEMBLY	70 - 60
1C17	MAIN BEARINGS.....	24 - 4	1C1	MOUNTS, ENGINE, 6359, AND REAR SUPPORT	20 - 14
1C19	MAIN BEARINGS.....	24 - 6	4G19	MUD AND FAN DRIVE SHIELDS (L-H SIDE)	80 - 30
4F16	MAIN FRAME, SEPARATOR	80 - 2	4G19	MUD SHIELDS (L-H SIDE)	80 - 30
1I1	MAIN FRAME, STARTING MOTOR	24 - 144	3E22	MUD SHIELDS (POWERED REAR WHEELS).....	50 - 88
4B23	MAIN HYDRAULIC FILTER.....	70 - 10	4H9	MUD SHIELDS (R.H. SIDE)	80 - 44
3F1	MAIN HYDRAULIC PUMP - HYDROSTATIC DRIVE PUMP CONNECTING HARDWARE	50 - 92	4G17	MUD SHIELDS, AUGER DRIVE (R-H SIDE)	80 - 28
4C18	MAIN VALVE BLOCK SOLENOID AUTOMATIC HEADER HEIGHT CONTROL	70 - 29	2C1	MUFFLER AND EXHAUST PIPE	30 - 16
4C18	MAIN VALVE BLOCK SOLENOID DIAL-A-MATIC HEADER HEIGHT CONTROL	70 - 29	N		
7H13	MAIN VALVE BLOCK SOLENOID DIAL-A-MATIC HEADER HEIGHT CONTROL	160 - 4	5E1	NEUTRAL START SWITCH	90 - 62
3D9	MANIFOLD AND PACKINGS	50 - 48	1F13	NOZZLE, FUEL INJECTION	24 - 78
5F4	MANIFOLD, A/C COMPRESSOR (650101-) R134A.....	90 - 92	1F14	NOZZLE, FUEL INJECTION	24 - 79
1F11	MANIFOLD, EXHAUST	24 - 76	1F21	NOZZLE, FUEL INJECTION	24 - 87
1F12	MANIFOLD, EXHAUST	24 - 77	O		
3F20	MASTER BRAKE CYLINDER	60 - 14	4F3	OIL COOLER AND AIR CONDITIONING CONDEN- SER	70 - 90
3F18	MASTER CYLINDER, RESERVOIR, BRAKE LINES	60 - 12	3E9	OIL COOLER LINES AND HOSES, HYDRO. (-640100)	50 - 74
6I9	METRIC KEY STOCK KIT.....	121 - 94	3E13	OIL COOLER LINES AND HOSES, HYDRO. (665101-)	50 - 78
7E19	METRIC KEY STOCK KIT.....	125 - 80	3E11	OIL COOLER LINES AND HOSES, HYDROSTATIC (640101-665100)	50 - 76
5C17	MIRROR AND LANDING, CAB, L.H. (650201-)	90 - 28	4E24	OIL COOLER LINES AND HOSES, WET CLUTCH (640101-665100)	70 - 86
5C15	MIRROR, LEFT-HAND REAR VIEW (-650100)	90 - 26			
5C19	MIRROR, R.H.	90 - 30			
2E3	MODULE, LOGIC.....	40 - 42			

ALPHABETICAL INDEX - CONTINUED

GRID	PAGE	GRID	PAGE
5G9	PLATES, WEAR, FEEDER HOUSE - CONTOUR MASTER (660101-).....	110 - 22	1F24 PUMP, FUEL INJECTION
4G7	PLATFORM AND STEP, ENGINE ACCESS	80 - 18	1H18 PUMP, FUEL TRANSFER
5C11	PLATFORM LADDER AND LATCH, OPERATOR'S	90 - 22	1H19 PUMP, FUEL TRANSFER
4F24	PLATFORM, ENGINE (-640100)	80 - 10	1H22 PUMP, FUEL TRANSFER
4G3	PLATFORM, ENGINE (-640100)	80 - 14	3C22 PUMP, HYDROSTATIC DRIVE CHARGE (RING AND PINION)
4G1	PLATFORM, ENGINE (640100-)	80 - 12	3C23 PUMP, HYDROSTATIC DRIVE CHARGE (RING AND PINION)
4G5	PLATFORM, ENGINE (640101-)	80 - 16	4E4 PUMP, MAIN HYDRAULIC
4B24	PLATFORM, 200 SERIES CUTTING, CONVERSION PARTS	70 - 11	4C3 PUMP, REEL, HYDRAULIC HOSES.....
1D4	PLUG,ENGINE OIL FILL	24 - 16	3G1 PUMP, STEERING.....
2E14	PLUGGED AIR FILTER WARNING SWITCH.....	40 - 53	1G19 PUMP, WATER
2E14	PLUGGED ENGINE AIR FILTER WARNING SWITCH ..	40 - 53	1G20 PUMP, WATER
2E9	PLUGGING SENSING SWITCH, STRAW WALKER	40 - 48	4E6 PUMP,FEEDER HOUSE / REEL DRIVE
2C17	POST INSTRUMENT PANEL, CAB	40 - 6	4E6 PUMP,REEL / FEEDER HOUSE DRIVE
5C23	POST INSTRUMENT PANEL, CAB	90 - 34	1G21 PUMP,WATER
6D15	PRE-CLEANER CHAFFER FRAME	120 - 54	1H22 PUSH ROD,FUEL TRANSFER PUMP
6D13	PRE-CLEANING CHAFFER.....	120 - 52	1C25 PUSH RODS
6D19	PRECLEANER CHAFFER FRAME ARMS	120 - 58	1D1 PUSH RODS
4B15	PRESSURE GAUGE, ACCUMULATOR	70 - 2	
4F10	PRESSURE HOSE, CHARGE (640100-)	70 - 98	
4F7	PRESSURE REGULATOR, ENGINE GEARCASE.....	70 - 94	
4D5	PRESSURE, HYDRAULIC, LINES AND HOSES	70 - 40	
5E16	PRESSURIZING FAN AND AIR CONDITIONING/ HEATER FAN	90 - 78	
6F22	PRIMARY COUNTERSHAFT GEARCASE (-640100)	121 - 20	
6F18	PRIMARY COUNTERSHAFT GEARCASE (-640100).....	121 - 16	
6F24	PRIMARY COUNTERSHAFT GEARCASE (640101-)	121 - 22	
6F20	PRIMARY COUNTERSHAFT GEARCASE (640101-).....	121 - 18	
6F16	PRIMARY COUNTERSHAFT, GEARCASE AND DRIVE SHAFT	121 - 14	
6G3	PRIMARY COUNTERSHAFT, SUPPORTS AND VARI- ABLE SHEAVE, REG. AND EXTENDED RANGE.....	121 - 26	
5F5	PULLEY, A/C COMPRESSOR (650101-) R134A	90 - 93	
1116	PULLEY, CRANKSHAFT	24 - 161	
1114	PULLEY, FAN DRIVE	24 - 158	
6G21	PULLEY, SECONDARY COUNTERSHAFT DRIVE	121 - 44	
1114	PULLEY, TENSIONER.....	24 - 158	
1G20	PULLEY, WATER PUMP.....	24 - 112	
1G22	PULLEY, WATER PUMP	24 - 114	
1117	PULLEY,CRANKSHAFT.....	24 - 162	
6F14	PUMP DRIVE AND SEPARATOR, GEARCASE	121 - 12	
6F8	PUMP DRIVE SHAFT AND SEPARATOR DRIVE WET-CLUTCH, GEARCASE	121 - 6	
6F10	PUMP DRIVE SHAFT AND SEPARATOR DRIVE WET-CLUTCH, GEARCASE	121 - 8	
6H19	PUMP MOUNTING SHEAVE, REEL / BELT PICKUP DRIVE	121 - 66	
7D15	PUMP, CHAFF SPREADER	125 - 52	
1E18	PUMP, ENGINE OIL	24 - 56	
1E20	PUMP, ENGINE OIL	24 - 59	
1E19	PUMP, ENGINE OIL (6068)	24 - 58	
2B14	PUMP, FUEL	30 - 4	
1F15	PUMP, FUEL INJECTION	24 - 80	
1F17	PUMP, FUEL INJECTION	24 - 82	
1F19	PUMP, FUEL INJECTION	24 - 84	
1F22	PUMP, FUEL INJECTION	24 - 88	
			Q
		3D10	QUILL, BEARING AND COVER (STEERABLE MOTOR).....
			50 - 49
			R
		2C13	R.H. CORNERPOST CONN. (WIRING HARNESS).....
			40 - 2
		2E7	R.H. MAIN WIRING HARNESS.....
			40 - 46
		4G23	R.H. SERVICE ACCESS SHIELD.....
			80 - 34
		3G13	R.H. SIDE STEERING LINES
			60 - 32
		2C3	RADIATOR
			30 - 18
		2C3	RADIATOR AND HOSES
			30 - 18
		4F20	RADIATOR DOOR.....
			80 - 6
		4F22	RADIATOR SHELL AND SEALS.....
			80 - 8
		1C7	RADIATOR WITH OIL COOLER, A/C CONDENSER AND AIR INTER COOLER
			20 - 20
		2C13	RADIO (WIRING HARNESS).....
			40 - 2
		2D3	RADIO, SPEAKERS AND ANTENNA
			40 - 16
		6C4	RASP BAR CONCAVE AND GRATE
			120 - 18
		6C6	RASP BAR CONCAVE AND GRATE
			120 - 20
		6C1	RASP BAR THRESHING CYLINDER
			120 - 14
		5B19	REAR AND SIDE CAB SEALS
			90 - 6
		3G20	REAR AXLE SPINDLE HOUSING
			60 - 39
		3H5	REAR AXLE SPINDLES
			60 - 48
		3H3	REAR AXLE SUPPORT.....
			60 - 46
		3H1	REAR AXLE TRASH SHIELD
			60 - 44
		3G19	REAR AXLE, ADJUSTABLE
			60 - 38
		3G18	REAR AXLE, FIXED
			60 - 37
		4H5	REAR CORNER SHEET, L H.....
			80 - 40
		4G15	REAR HOOD
			80 - 26
		4G9	REAR LADDER
			80 - 20
		4G9	REAR LADDER AND LANDING
			80 - 20
		4G9	REAR LADDER LANDING.....
			80 - 20
		4F20	REAR LADDER LANDING HANDRAILS.....
			80 - 6
		4G11	REAR LADDER LANDING LATCH ARM (-640100)
			80 - 22
		4G13	REAR LADDER LANDING LATCH ARM (640101-)
			80 - 24
		2G21	REAR LAMP ASSEMBLY - L.H. SIDE
			40 - 108
		2E5	REAR LIGHT HARNESS AND SHIELDS
			40 - 44
		3G15	REAR STEERING LINES AND HOSES
			60 - 34
		6I3	REAR STRAW CHOPPER DRIVES, FINE CUT
			121 - 74

ALPHABETICAL INDEX - CONTINUED

GRID		PAGE	GRID		PAGE
1C1	REAR SUPPORT AND 6359 ENGINE MOUNTS.....	20 - 14	5H11	REVERSER).....	110 - 50
5C15	REAR VIEW MIRROR, LEFT-HAND (-650100)	90 - 26	5H13	REVERSER).....	110 - 52
3G24	REAR WHEELS (4-WHEEL DRIVE/CAM LODE MOTOR).....	60 - 43	4H17	RIGHT SIDE FRONT SHIELD ASSEMBLY	80 - 52
3H7	REAR WHEELS AND WHEEL WEIGHTS	60 - 50	4H13	RIGHT SIDE SHIELD ASSEMBLY	80 - 48
5E20	RECEIVER - DRYER, AIR CONDITIONER (-650100) R-12 REFRIGERANT	90 - 82	3B21	RIMS, DRIVE WHEELS.....	50 - 8
5E22	RECEIVER - DRYER, AIR CONDITIONER (650101-) R134A REFRIGERANT	90 - 84	3B25	RING AND PINION FINAL DR., TRANSMISSION (-655399)	50 - 12
7H18	REEL BELTS	170 - 4	1D8	RINGS, PISTON.....	24 - 20
4B19	REEL DRIVE FLOW CONTROL VALVE	70 - 6	1D11	RINGS, PISTON.....	24 - 23
4B17	REEL DRIVE HYD. LINES AND HOSES, L.H. SIDE.....	70 - 4	1D9	RINGS, PISTON (6068).....	24 - 21
4C1	REEL DRIVE HYD. LINES AND HOSES, FRONT.....	70 - 12	1D2	ROCKER ARM COVER.....	24 - 14
4C7	REEL FORE-AND-AFT HYDRAULIC LINES AND HOSES, FRONT	70 - 18	1D3	ROCKER ARM COVER.....	24 - 15
4C9	REEL FORE-AND-AFT HYDRAULIC LINES, L.H. SIDE.....	70 - 20	1D4	ROCKER ARM COVER.....	24 - 16
4D20	REEL FORE/AFT SOLENOID CONTROL VALVE (650201-)	70 - 56	1D4	ROCKER ARM COVER GASKET.....	24 - 16
4D19	REEL FORE/AFT, SOLENOID CONTROL VALVE, DOUBLE PILOTED	70 - 55	1C25	ROCKER ARM SHAFT	24 - 12
4D18	REEL FORE/AFT, SOLENOID CONTROL VALVE, DOUBLE PILOTED (-650100)	70 - 54	1D1	ROCKER ARM SHAFT	24 - 13
4D13	REEL LIFT AND CYLINDER SPEED, SOLENOID CONTROL VALVE.....	70 - 48	1C25	ROCKER ARMS.....	24 - 12
4C5	REEL LIFT LINES AND HOSES.....	70 - 16	1D1	ROCKER ARMS.....	24 - 13
3B15	REEL LIFT/LOWER OR FEEDERHOUSE SPEED CONTROL SWITCH	50 - 2	1D8	ROD, CONNECTING	24 - 20
4C3	REEL PUMP HOSES, HYDRAULIC	70 - 14	1D11	ROD, CONNECTING	24 - 23
2G13	REEL SPEED MOTOR AND BRACKET.....	40 - 100	1D9	ROD, CONNECTING (6068)	24 - 21
6H20	REEL/BELT PICKUP CHARGE PUMP MOUNTING AND SHEAVE	121 - 67	1C25	RODS, PUSH.....	24 - 12
2F19	RELAY AND CIRCUIT BREAKER, THROTTLE CONTROL PANEL.....	40 - 82	1D1	RODS, PUSH.....	24 - 13
2F17	RELAYS, ENGINE CIRCUIT BREAKER.....	40 - 80	5C5	ROOF, CAB AND SUPPORTS	90 - 16
2F14	RELAYS, ENGINE CIRCUIT BREAKER (-660100)	40 - 77	2C19	ROOF, CAB LIGHTS	40 - 8
2F15	RELAYS, ENGINE CIRCUIT BREAKER (660101-)	40 - 78	7H17	ROTARY SCREEN BELTS	170 - 3
1D6	RELIEF VALVE ENGINE OIL PRESSURE.....	24 - 18	1B17	ROTARY SCREEN DOOR	20 - 6
4D10	RELIEF VALVE MODULE, SOLENOID CONTROL	70 - 45	1B15	ROTARY SCREEN DOOR (-640100)	20 - 4
4D10	RELIEF VALVE, SOLENOID CONTROL - CONTOUR MASTER	70 - 45	1B12	ROTARY SCREEN DRIVE (-645100)	20 - 1
1C22	REPLACEMENT CRANKSHAFT (6359)	24 - 9	1B13	ROTARY SCREEN DRIVE (645101-)	20 - 2
1C20	REPLACEMENT CRANKSHAFT KIT	24 - 7	1B13	ROTARY SCREEN DRIVE AND IDLER ARMS (645101-)	20 - 2
3F3	RESERVOIR RETURN LINE	50 - 94	1B13	ROTARY SCREEN DRIVE IDLER ARMS (645101-)	20 - 2
3F18	RESERVOIR, BRAKE LINES, MASTER CYLINDER	60 - 12	1F3	ROTATOR, EXHAUST VALVE	24 - 68
4D9	RESERVOIR, HYDRAULIC/HYDROSTATIC.....	70 - 44	7B16	ROTOR AND SHEAVE, STRAW CHOPPER (-650100)	125 - 4
5H21	RETROFIT INSTALLATION - LH SIDE FEEDER HOUSE DUST FAN BELT.....	110 - 60	7B22	ROTOR, SHEAVE AND STRAW CHOPPER	125 - 10
5H19	RETROFIT INSTALLATION-FEEDER CONVEYOR DRIVE CHAIN, TIGHTENER AND GUIDES	110 - 58	2F12	ROW LIGHTS (L.H. AND R.H.).....	40 - 75
5H23	RETROFIT INSTALLATION-LH SIDE FEEDER HOUSE DUST FAN.....	110 - 62			
5D11	RETROFIT SEAT BELT KIT (MACHINES PRIOR TO 1996 MODEL YEAR)	90 - 46		S	
5H7	RETURN FLOOR, FEEDER HOUSE (-641500)	110 - 46	7H20	SAFETY DECALS AND LOCATIONS.....	170 - 6
5H9	RETURN FLOOR, FEEDER HOUSE (641500-)	110 - 48	7H22	SAFETY DECALS AND LOCATIONS.....	170 - 8
4D1	RETURN LINES, HYDRAULIC	70 - 36	7H24	SAFETY DECALS AND LOCATIONS.....	170 - 10
4D3	RETURN LINES, UPPER, HYDRAULIC.....	70 - 38	711	SAFETY DECALS AND LOCATIONS.....	170 - 12
5D3	REVERSER FOOT CONTROL, FEEDER HOUSE.....	90 - 38	713	SAFETY DECALS AND LOCATIONS.....	170 - 14
5F18	REVERSER FOOT CONTROL, FEEDER HOUSE.....	110 - 6	715	SAFETY DECALS AND LOCATIONS - FRENCH	170 - 16
5F16	REVERSER GEAR BOX	110 - 4	717	SAFETY DECALS AND LOCATIONS - FRENCH	170 - 18
			719	SAFETY DECALS AND LOCATIONS - FRENCH	170 - 20
			7111	SAFETY DECALS AND LOCATIONS - FRENCH	170 - 22
			7113	SAFETY DECALS AND LOCATIONS - FRENCH	170 - 24
			5E1	SAFETY START SWITCH.....	90 - 62
			5G3	SAFETY STOP, CONTOUR MASTER FEEDER HOUSE (660101-660245)	110 - 16
			5G5	SAFETY STOP, CONTOUR MASTER FEEDER HOUSE (660246-)	110 - 18
			5G1	SAFETY STOP, DRIVE SHIELDS, FEEDER HOUSE	110 - 14
			7H4	SAMPLING TROUGH, GRAIN TANK	130 - 57
			1B12	SCREEN DRIVE, ROTARY (-645100)	20 - 1
			1B13	SCREEN DRIVE, ROTARY (645101-)	20 - 2

ALPHABETICAL INDEX - CONTINUED

GRID		PAGE	GRID		PAGE
1B17	SCREEN, ROTARY, DOOR	20 - 6	7D17	SEPARATOR CURTAIN	
1B15	SCREEN, ROTARY, DOOR		(-640194)		125 - 54
(-640100)		20 - 4	6E23	SEPARATOR CURTAIN	
6D3	SCREENS, CLEANING FAN LEAF (CORN)		(SPIKE-TOOTH CYLINDER)		120 - 86
(660193-)		120 - 42	6F6	SEPARATOR DRIVE GEAR, UNLOADING DRIVE	
5F4	SEAL, A/C COMPRESSOR		AND STRAW CHOPPER, ENGINE GEARCASE		121 - 4
(650101-) R134A		90 - 92	6F4	SEPARATOR DRIVE GEAR, UNLOADING DRIVE AND	
5F7	SEAL, A/C COMPRESSOR KIT		STRAW CHOPPER- ENGINE GEARCASE		121 - 2
(650101-)		90 - 95	6F8	SEPARATOR DRIVE WET-CLUTCH AND PUMP	
5C1	SEAL, CAB DOOR	90 - 12	DRIVE SHAFT, GEARCASE		121 - 6
5G22	SEAL, FEEDER HOUSE	110 - 36	6F10	SEPARATOR DRIVE WET-CLUTCH AND PUMP	
7C23	SEALS AND PAN, CHAFF SPREADER		DRIVE SHAFT, GEARCASE		121 - 8
(-650100)		125 - 36	6H7	SEPARATOR FAN DRIVE	121 - 54
4F22	SEALS AND RADIATOR SHELL	80 - 8	2F1	SEPARATOR FAN DRIVE ADJUSTING MOTOR	40 - 64
5B19	SEALS, CAB SIDE AND REAR	90 - 6	4F16	SEPARATOR FRAME	80 - 2
6D3	SEALS, CLEANING FAN LEAF SCREEN (CORN)		6B14	SEPARATOR/FEEDER HOUSE SEAL, STONE	
(660193-)		120 - 42	TRAP AND DOOR		120 - 2
5G9	SEALS, FEEDER HOUSE - CONTOUR MASTER		2B14	SEPARATOR, WATER	30 - 4
(660101-)		110 - 22	2G1	SERVICE KIT, ELECTRICAL CONNECTORS	40 - 88
5B17	SEALS, FOAM AND SOUND DEADENING, CAB	90 - 4	2G3	SERVICE KIT, ELECTRICAL CONNECTORS	40 - 90
7D1	SEALS, PAN AND WINGS, CHAFF SPREADER		2G8	SERVICE OUTLET, ELECTRICAL	40 - 95
(DUAL MOTOR) (650101-)		125 - 38	5E24	SERVICE VALVES AND COMPRESSOR CLUTCH	
3D5	SEALS, SHAFT, OUTER COVER AND BEARING		(-650100) R-12 REFRIGERANT		90 - 86
CAM LOBE MOTOR (1200 CC)		50 - 44	3C19	SERVO, HYDROSTATIC PUMP	
5D12	SEAT ADJUST FORE-AND-AFT	90 - 48	(RING AND PINION)		50 - 32
5D7	SEAT AND BACKREST, OPERATOR'S	90 - 42	5F1	SET, COMPRESSOR HARDWARE	
5D11	SEAT BELT KIT, RETROFIT		(-650100) R12		90 - 88
(MACHINES PRIOR TO 1996 MODEL YEAR)		90 - 46	6C20	SHAFT, BEATER AND DRIVE BELT	120 - 34
5D14	SEAT HEIGHT ADJUSTER	90 - 50	5H13	SHAFT, DRIVE, FRONT, SHEAVE AND	
5D5	SEAT SHROUDS AND OPTIONAL SEAT	90 - 40	MOUNTINGS (FIXED SPEED WITH REVERSER)		110 - 52
5D16	SEAT, AIR SUSPENSION		5H11	SHAFT, DRIVE, UPPER, SHEAVE AND MOUNTING	
(660101-)		90 - 52	(FIXED SPEED WITH REVERSER)		110 - 50
5D18	SEAT, AIR SUSPENSION KITS		5F20	SHAFT, FRONT WITH REVERSER (VARIABLE)	110 - 8
(665101-)		90 - 54	5G7	SHAFT, FRONT, FEEDER HOUSE AND FRAME	110 - 20
5D20	SEAT, AIR SUSPENSION KITS		3C15	SHAFT, HYDROSTATIC PUMP	
(665101-)		90 - 56	(RING AND PINION)		50 - 28
5D22	SEAT, AIR SUSPENSION KITS		7D21	SHAFT, LOWER TAILINGS AUGER	125 - 58
(665101-)		90 - 58	3D5	SHAFT, OUTER COVER, BEARING AND SEALS	
5D24	SEAT, AIR SUSPENSION KITS		CAM LOBE MOTOR (1200 CC)		50 - 44
(665101-)		90 - 60	1C25	SHAFT, ROCKER ARM	24 - 12
2D11	SEAT, AIR, WIRING HARNESS		1D1	SHAFT, ROCKER ARM	24 - 13
(660101-)		40 - 24	3C6	SHAFT, TRANSMISSION PINION	50 - 18
5D9	SEAT, OPERATOR'S SEATBELT		7F5	SHAFT, UPPER CLEAN GRAIN ELEVATOR	130 - 10
(665101-)		90 - 44	3C8	SHAFTS, DIFFERENTIAL	50 - 20
5D10	SEAT, SEATBELT - TRAINING		3B23	SHAFTS, DRIVE	50 - 10
(665101-)		90 - 45	3C13	SHAFTS, FINAL DRIVE	
5D9	SEATBELT, OPERATOR'S SEAT		(RING AND PINION)		50 - 26
(665101-)		90 - 44	6E9	SHAKER PAN	120 - 72
5D10	SEATBELT, TRAINING SEAT		6B24	SHEAR BAR, CYLINDER	120 - 12
(665101-)		90 - 45	7B16	SHEAVE AND ROTOR, STRAW CHOPPER	
6G21	SECONDARY COUNTERSHAFT DRIVE	121 - 44	(-650100)		125 - 4
6G21	SECONDARY COUNTERSHAFT DRIVE PULLEY	121 - 44	6H15	SHEAVE LINKAGE, FAN DRIVE SPEED CONTROL	121 - 62
2B14	SENDER, FUEL	30 - 4	2F5	SHEAVE, ALTERNATOR	
2E19	SENDING SWITCH, ENGINE TEMPERATURE		(-650100)		40 - 68
LOWER PARTS		40 - 58	2F6	SHEAVE, BELT AND ALTERNATOR	
2E19	SENDING SWITCH, ENGINE TEMPERATURE		BOSCH (650101-)		40 - 69
6068, LOWER PARTS		40 - 58	7F13	SHEAVE, CLEAN GRAIN ELEVATOR GEARCASE	130 - 18
2E9	SENSING SWITCH, STRAW WALKER PLUGGING	40 - 48	6H19	SHEAVE, MOUNTING, PUMP, REEL / BELT	
2G22	SENSOR, SPEED, FDR HSE BACKSHAFT		PICKUP DRIVE		121 - 66
(645123-)		40 - 110	5F14	SHEAVE, MOUNTINGS, FRONT VARIABLE	
2E11	SENSOR, UNLOADING AUGER		DRIVE		110 - 2
(660101-)		40 - 50	7B22	SHEAVE, ROTOR AND STRAW CHOPPER	125 - 10
1J7	SENSOR, TACHOMETER	24 - 177	7F5	SHEAVE, UPPER CLEAN GRAIN ELEVATOR	130 - 10
2E13	SENSORS AND BRACKETS, LOW SHAFT SPEED	40 - 52	6H5	SHEAVES, BEATER DRIVE AND TIGHTENER	121 - 52
6F14	SEPARATOR AND PUMP DRIVE, GEARCASE	121 - 12	7H16	SHEAVES, ENGINE DRIVE	170 - 2
4F16	SEPARATOR CROSS BRACES	80 - 2	5H5	SHEAVES, FEEDER HOUSE, UPPER	
6E21	SEPARATOR CURTAIN	120 - 84	COUNTERSHAFT, VARIABLE DRIVE		110 - 44

ALPHABETICAL INDEX - CONTINUED

GRID		PAGE	GRID		PAGE
6I7	SHEILDS, STRAW CHOPPER DRIVE (640101-)	121 - 78	4D15	SOLENOID CONTROL VALVE DOUBLE PILOTED MODULE, AUGER SWING (-650100)	70 - 50
5G9	SHELL, FEEDER HOUSE-CONTOUR MASTER (660101-)	110 - 22	4D19	SOLENOID CONTROL VALVE DOUBLE PILOTED MODULE, REEL FORE/AFT	70 - 55
4F22	SHELL, RADIATOR AND SEALS	80 - 8	4D18	SOLENOID CONTROL VALVE DOUBLE PILOTED MODULE, REEL FORE/AFT (-650100)	70 - 54
4H11	SHIELD ASSEMBLY, FRONT, LEFT SIDE	80 - 46	4D20	SOLENOID CONTROL VALVE FOR REEL FORE/AFT (650201-)	70 - 56
4H17	SHIELD ASSEMBLY, FRONT, RIGHT SIDE	80 - 52	4D24	SOLENOID CONTROL VALVE MODULE ASSEMBLY AND MOUNTINGS	70 - 60
4H15	SHIELD ASSEMBLY, LEFT SIDE	80 - 50	4E1	SOLENOID CONTROL VALVE MODULE, 6 STACK ASSEMBLY & MOUNTINGS (660101-)	70 - 62
4H13	SHIELD ASSEMBLY, RIGHT SIDE	80 - 48	4D11	SOLENOID CONTROL VALVE UNBALANCED LOAD MODULE (HEADER LIFT MODULE)	70 - 46
4G21	SHIELD, DRIVE, R.H. REAR	80 - 32	4F9	SOLENOID CONTROL VALVE, WET CLUTCH (PRESSURE REGULATOR)	70 - 96
4G19	SHIELD, FAN DRIVE (L-H SIDE)	80 - 30	1I5	SOLENOID COVER KIT (ESN 709446-)	24 - 148
5I1	SHIELD, INTAKE	110 - 64	1I3	SOLENOID SWITCH, STARTING MOTOR	24 - 146
4H1	SHIELD, SERVICE ACCESS, L.H.	80 - 36	3D19	SOLENOID, CONTROL VALVE (FOUR-WHEEL DR.)...	50 - 58
4G23	SHIELD, SERVICE ACCESS, R.H.	80 - 34	2B18	SOLENOID, ETHER START (-655415)	30 - 8
3H1	SHIELD, TRASH, REAR AXLE	60 - 44	2B20	SOLENOID, ETHER START (655416-)	30 - 10
7E11	SHIELD, UPPER TAILINGS AUGER DRIVE	125 - 72	4C18	SOLENOID, MAIN VALVE BLOCK AUTOMATIC HEADER HEIGHT CONTROL	70 - 29
7E13	SHIELD, UPPER TAILINGS AUGER DRIVE	125 - 74	4C18	SOLENOID, MAIN VALVE BLOCK DIAL-A-MATIC HEADER HEIGHT CONTROL	70 - 29
7C21	SHIELDS AND HANDLES, CHAFF SPREADER (DUAL MOTOR) (650101-)	125 - 34	7H13	SOLENOID, MAIN VALVE BLOCK DIAL-A-MATIC HEADER HEIGHT CONTROL	160 - 4
2E5	SHIELDS FOR REAR LIGHT HARNESS	40 - 44	1I9	SOLENOID, STARTER	24 - 152
6D9	SHIELDS, CLEANING FAN INTAKE (-645100)	120 - 48	5B17	SOUND DEADENING, SEALS AND FOAM, CAB	90 - 4
6D11	SHIELDS, CLEANING FAN INTAKE (645101-)	120 - 50	3B23	SPACERS, AXLE (RING AND PINION FINAL DRIVE)	50 - 10
5G3	SHIELDS, CONTOURMASTER FEEDER HOUSE (660101-660245)	110 - 16	2D3	SPEAKERS, ANTENNA AND RADIO	40 - 16
5G5	SHIELDS, CONTOURMASTER FEEDER HOUSE (660246-)	110 - 18	6H9	SPEED CONTROL LINKAGE, FAN DRIVE (-640100)	121 - 56
4G19	SHIELDS, MUD (L-H SIDE)	80 - 30	6H11	SPEED CONTROL LINKAGE, FAN DRIVE (640101-655100)	121 - 58
3E22	SHIELDS, MUD (POWERED REAR WHEELS)	50 - 88	6H13	SPEED CONTROL LINKAGE, FAN DRIVE (655101-)	121 - 60
4H9	SHIELDS, MUD (R.H. SIDE)	80 - 44	6H15	SPEED CONTROL, FAN DRIVE SHEAVE LINKAGE	121 - 62
4G17	SHIELDS, MUD, AUGER DRIVE (R-H SIDE)	80 - 28	2E1	SPEED SENSOR, TRANSMISSION	40 - 40
6I5	SHIELDS, STRAW CHOPPER DRIVE	121 - 76	2G13	SPEED, REEL, MOTOR AND BRACKET	40 - 100
7F17	SHIELDS, UPPER CLEAN GRAIN ELEVATOR (-640100)	130 - 22	6C14	SPIKE TOOTH CONCAVE	120 - 28
7F19	SHIELDS, UPPER CLEAN GRAIN ELEVATOR (640101-)	130 - 24	6C10	SPIKE TOOTH THRESHING CYLINDER (OPTIONAL)	120 - 24
3C1	SHIFTER CAM, TRANSMISSION AND DIFFERENTIAL	50 - 13	6C12	SPIKE-TOOTH CONCAVE	120 - 26
3B24	SHIFTER FORKS, TRANSMISSION AND DIFFERENTIAL HOUSING	50 - 11	6C16	SPIKE-TOOTH FINGER GRATE	120 - 30
2F11	SHOE ADJUSTING LIGHT SWITCH	40 - 74	3G20	SPINDLE HOUSING, REAR AXLE	60 - 39
6C24	SHOE GRAIN SUPPLY AUGERS AND HOUSING	120 - 38	3H5	SPINDLES, REAR AXLE	60 - 48
6D1	SHOE GRAIN SUPPLY AUGERS AND HOUSING	120 - 40	7D17	SPREADER CURTAIN (-640194)	125 - 54
3F22	SHOES, BRAKE	60 - 16	7D19	SPREADER CURTAIN (640195-)	125 - 56
1D23	SHORT BLOCK, ENGINE	24 - 36	4B21	SPREADER MOTOR, CHAFF (EATON) (655929-)	70 - 8
1E5	SHORT BLOCK, ENGINE	24 - 42	7D11	SPREADER, CHAFF, MOTOR, LINES AND HOSES (-650100)	125 - 48
5B19	SIDE AND REAR CAB SEALS	90 - 6	7C13	SPREADER, STRAW	125 - 26
2F12	SIDE LIGHTS	40 - 75	7H18	SPREADER, STRAW, BELTS	170 - 4
6H3	SIEVE AND CHAFFER DRIVE, CONVEYOR AUGERS AND STRAW WALKER	121 - 50	7F5	SPROCKET, UPPER CLEAN GRAIN ELEVATOR	130 - 10
6E5	SIEVE ELEMENT	120 - 68	7C5	SPROCKETS, DRIVE, STRAW CHOPPER (655101-)	125 - 18
6E7	SIEVE FRAME	120 - 70	7E3	SPROCKETS, TAILINGS ELEVATOR CONVEYOR	125 - 64
4C19	SINGLE ACCUMULATOR, ONE-HALF GALLON	70 - 30	1I5	STARTER (12-VOLT NIPPONDENSO 6HP LH) (ESN 709446-)	24 - 148
4E1	SIX STACK SOLENOID CONTROL VALVE MODULE ASSEMBLY & MOUNTINGS (660101-)	70 - 62	1H25	STARTER DRIVE HOUSING	24 - 143
3F24	SLAVE CYLINDER, BRAKE	60 - 18			
5G18	SLIP CLUTCH, FEEDER HOUSE	110 - 32			
6G7	SLOW SPEED CYLINDER DRIVE	121 - 30			
4D10	SOLENOID CONTROL RELIEF VALVE MODULE	70 - 45			
4D17	SOLENOID CONTROL VALVE AUGER SWING (650100-)	70 - 52			
4D22	SOLENOID CONTROL VALVE - CONTOUR MASTER (660101-)	70 - 58			
4D13	SOLENOID CONTROL VALVE BI-DIRECTIONAL MODULE, REEL LIFT AND CYLINDER SPEED	70 - 48			
4E3	SOLENOID CONTROL VALVE BRACKETS	70 - 64			

ALPHABETICAL INDEX - CONTINUED

GRID		PAGE	GRID		PAGE
1H25	STARTER DRIVE MOTOR	24 - 143	7C3	STRAW CHOPPER HOUSING AND KNIFEBANK (655101-)	125 - 16
119	STARTER MOTOR 12 VOLT	24 - 152	7C1	STRAW CHOPPER KNIFEBACK (-655100)	125 - 14
119	STARTER SOLENOID	24 - 152	7B16	STRAW CHOPPER ROTOR AND SHEAVE (-650100)	125 - 4
1H24	STARTER SOLENOID COVER KIT	24 - 142	2E5	STRAW CHOPPER SENSOR BRACKET	40 - 44
1J4	STARTING AID CONNECTORS	24 - 174	7B22	STRAW CHOPPER, ROTOR AND SHEAVE	125 - 10
1J5	STARTING AID CONNECTORS	24 - 175	7B18	STRAW CHOPPER, TRI ROTOR (645101-655100)	125 - 6
1J6	STARTING AID CONNECTORS	24 - 176	7B20	STRAW CHOPPER, TRI ROTOR (655101-)	125 - 8
2B18	STARTING AID, COLD WEATHER (-655415)	30 - 8	6F4	STRAW CHOPPER, UNLOADING DRIVE AND SEPARATOR DRIVE GEAR- ENGINE GEARCASE ..	121 - 2
2B20	STARTING AID, COLD WEATHER (655416-)	30 - 10	6F6	STRAW CHOPPER, UNLOADING DRIVE AND SEPARATOR DRIVE GEAR, ENGINE GEARCASE ..	121 - 4
1H23	STARTING MOTOR	24 - 141	7C13	STRAW SPREADER	125 - 26
115	STARTING MOTOR (ESN 709446-)	24 - 148	6E19	STRAW SPREADER DRIVE, SHIELD AND STRAW WALKER CRANKS	120 - 82
1H23	STARTING MOTOR ATTACHING PARTS	24 - 141	7C11	STRAW SPREADER MOUNTING AND GUARD	125 - 24
112	STARTING MOTOR BRUSHES	24 - 145	2E9	STRAW WALKER (PLUGGING) SENSING SWITCH	40 - 48
111	STARTING MOTOR COIL	24 - 144	6E15	STRAW WALKER BEARING KIT (650101-665100)	120 - 78
112	STARTING MOTOR COMMUTATOR END FRAME	24 - 145	6E17	STRAW WALKER BEARING KIT (665101-)	120 - 80
117	STARTING MOTOR DRIVE ARMATURE	24 - 150	6E13	STRAW WALKER BEARINGS (-650100)	120 - 76
117	STARTING MOTOR DRIVE HOUSING	24 - 150	6E19	STRAW WALKER CRANKS,STRAW SPREADER DRIVE AND SHIELD	120 - 82
112	STARTING MOTOR END COVER	24 - 145	6G23	STRAW WALKER DRIVE GEARCASE	121 - 46
114	STARTING MOTOR KIT	24 - 147	6H1	STRAW WALKER DRIVE GEARCASE	121 - 48
111	STARTING MOTOR MAIN FRAME	24 - 144	6H3	STRAW WALKER, CONVEYOR AUGERS, SIEVE AND CHAFFER DRIVE	121 - 50
113	STARTING MOTOR SOLENOID SWITCH	24 - 146	6E11	STRAW WALKERS	120 - 74
3G5	STARTING SWITCH	60 - 24	2G7	SUPPLEMENTARY TERMINALS AND CONNECTORS	40 - 94
5E10	STARTING SWITCH	90 - 72	7G9	SUPPORT AND BRACES, AUGER	130 - 38
3D15	STEERING ARM, CAM LOBE MOTOR (STEERABLE MOTOR)	50 - 54	3F25	SUPPORT BRACKET, BRAKE CABLE (645101-)	60 - 19
3G7	STEERING COLUMN (LOWER)	60 - 26	7E4	SUPPORT, LOWER TROUGH	125 - 65
5E12	STEERING COLUMN (LOWER)	90 - 74	3H3	SUPPORT, REAR AXLE	60 - 46
3G5	STEERING COLUMN (UPPER)	60 - 24	1C1	SUPPORT, REAR, AND 6359 ENGINE MOUNTS	20 - 14
5E10	STEERING COLUMN (UPPER)	90 - 72	5C5	SUPPORTS AND CAB ROOF	90 - 16
2D5	STEERING COLUMN WIRING HARNESS (-645340)	40 - 18	6G3	SUPPORTS AND VARIABLE SHEAVE, PRIMARY COUNTERSHAFT, REG. AND EXTENDED RANGE..	121 - 26
2D7	STEERING COLUMN WIRING HARNESS (646237-)	40 - 20	2B12	SUPPORTS, FUEL TANK	30 - 2
3G17	STEERING CYLINDER (4-WHEEL DRIVE)	60 - 36	5H5	SUPPORTS, UPPER COUNTERSHAFT, FEEDER HOUSE, VARIABLE DRIVE	110 - 44
3G9	STEERING HOSES AND LINES, FRONT	60 - 28	3C19	SWASHPLATE, HYDROSTATIC PUMP (RING AND PINION)	50 - 32
3G11	STEERING HOSES AND LINES, L.H. SIDE	60 - 30	4E18	SWING, UNLOADING AUGER, HYDRAULIC CYLINDER KIT	70 - 80
3G3	STEERING HOSES, UPPER	60 - 22	2D17	SWITCH, AIR CONDITIONER	40 - 30
3G15	STEERING LINES AND HOSES, REAR	60 - 34	2C15	SWITCH, AUX FIELD LIGHTS, OPTIONAL	40 - 4
3G13	STEERING LINES, R.H. SIDE	60 - 32	2D17	SWITCH, HEATER	40 - 30
3G1	STEERING PUMP	60 - 20	2E22	SWITCH, HORIZONTAL UNLOADING AUGER	40 - 61
3G7	STEERING PUMP - STEERING SHAFT	60 - 26	7G12	SWITCH, HORIZONTAL UNLOADING AUGER	130 - 41
5E12	STEERING PUMP - STEERING SHAFT	90 - 74	2F11	SWITCH, LIGHT, SHOE ADJUSTING	40 - 74
3G23	STEERING TIE RODS, ADJUSTABLE REAR AXLE	60 - 42	2E9	SWITCH, SENSING, STRAW WALKER PLUGGING	40 - 48
3G21	STEERING TIE RODS, FIXED REAR AXLE	60 - 40	119	SWITCH, STARTING MOTOR	24 - 152
3G22	STEERING TIE RODS, FIXED REAR AXLE, 4-WHEEL DRIVE	60 - 41	115	SWITCH, STARTING MOTOR (ESN 709446-)	24 - 148
3G7	STEERING WHEEL ADJUSTER PEDAL	60 - 26	2E14	SWITCH, WARNING, PLUGGED AIR FILTER	40 - 53
5E12	STEERING WHEEL ADJUSTER PEDAL	90 - 74	2D1	SWITCHES, ARMREST ROCKER	40 - 14
6B14	STONE TRAP, DOOR AND FEEDER HOUSE/ SEPARATOR SEAL	120 - 2	7G9	SWIVEL SUPPORT AND BRACES, AUGER	130 - 38
7H18	STRAW CHOPPER BELTS	170 - 4	7G9	SWIVEL, AUGER SUPPORT	130 - 38
7B14	STRAW CHOPPER DECK, SUPPORTS AND FINS	125 - 2	7G7	SWIVEL, HORIZONTAL UNLOADING AUGER	130 - 36
7C9	STRAW CHOPPER DOOR	125 - 22	1F15	SYSTEM, FUEL INJECTION	24 - 80
615	STRAW CHOPPER DRIVE SHIELDS	121 - 76	1F17	SYSTEM, FUEL INJECTION	24 - 82
617	STRAW CHOPPER DRIVE SHIELDS (640101-)	121 - 78	1F22	SYSTEM, FUEL INJECTION	24 - 88
7C5	STRAW CHOPPER DRIVE SPROCKETS (655101-)	125 - 18			
6H21	STRAW CHOPPER DRIVES (FRONT)	121 - 68			
611	STRAW CHOPPER DRIVES (REAR) (-640100)	121 - 72			
7C1	STRAW CHOPPER HOUSING (-655100)	125 - 14			
7B24	STRAW CHOPPER HOUSING AND KNIFEBANK (-655100)	125 - 12			

ALPHABETICAL INDEX - CONTINUED

GRID		PAGE	GRID		PAGE
1F24	SYSTEM, FUEL INJECTION	24 - 90	5D10	TRAINING SEAT SEATBELT (665101-)	90 - 45
T			7F7	TRANSITION AUGER HOUSING	130 - 12
2C17	TACHOMETER	40 - 6	3B25	TRANSMISSION (-655339)	50 - 12
5C23	TACHOMETER	90 - 34	3C1	TRANSMISSION AND DIFFERENTIAL HOUSING COVER AND SHIFTER CAM	50 - 13
1J7	TACHOMETER SENSOR	24 - 177	3B24	TRANSMISSION AND DIFFERENTIAL HOUSING, SHIFTER FORKS	50 - 11
2C20	TAIL LIGHTS	40 - 9	3C4	TRANSMISSION BEARINGS	50 - 16
7E4	TAILINGS DRIVE BRACKET	125 - 65	3C4	TRANSMISSION GEARS	50 - 16
7E3	TAILINGS ELEVATOR CONVEYOR BEARINGS	125 - 64	3C2	TRANSMISSION GEARSHIFT LEVER AND LINKAGE	50 - 14
7E3	TAILINGS ELEVATOR CONVEYOR CHAIN	125 - 64	5D1	TRANSMISSION GEARSHIFT LEVER AND LINKAGE	90 - 36
7E3	TAILINGS ELEVATOR CONVEYOR SPROCKETS	125 - 64	3C4	TRANSMISSION INPUT SHAFT	50 - 16
7E1	TAILINGS ELEVATOR HOUSING	125 - 62	3C4	TRANSMISSION LUBE PUMP	50 - 16
2B16	TANK FUEL LINES AND FITTINGS	30 - 6	3C6	TRANSMISSION PINION GEARS	50 - 18
2C5	TANK, COOLANT RECOVERY	30 - 20	3C6	TRANSMISSION PINION SHAFT	50 - 18
2B12	TANK, FUEL	30 - 2	3C6	TRANSMISSION PINION SHAFT BEARINGS	50 - 18
7H4	TANK, GRAIN, SAMPLING TROUGH	130 - 57	2E1	TRANSMISSION SPEED SENSOR	40 - 40
1F21	TEE FITTING, INJECTION NOZZLE	24 - 87	1B24	TRANSMISSION-ENGINE COUPLING WITH HUB	20 - 13
2C17	TEMPERATURE GAUGE, ENGINE	40 - 6	2G17	TRANSPORT WARNING LIGHTS	40 - 104
5C23	TEMPERATURE GAUGE, ENGINE	90 - 34	6B14	TRAP, STONE	120 - 2
1114	TENSIONER, BELT IDLER	24 - 158	3H1	TRASH SHIELD, REAR AXLE	60 - 44
2G5	TERMINAL AND WIRING KIT	40 - 92	7B18	TRI ROTOR STRAW CHOPPER (645101-655100)	125 - 6
2F23	TERMINALS, ELECTRICAL, WEATHERPACK	40 - 86	7B20	TRI ROTOR STRAW CHOPPER (655101-)	125 - 8
2G7	TERMINALS, SUPPLEMENTARY, AND CONNECTORS	40 - 94	5B21	TRIM PANELS, CAB INTERIOR	90 - 8
1H1	THERMOSTAT	24 - 118	1F1	TUBE, ENGINE VENTILATING	24 - 66
1H1	THERMOSTAT COVER	24 - 118	1H1	TUBE, THERMOSTAT COVER	24 - 118
1H1	THERMOSTAT COVER TUBE	24 - 118	1G7	TURBOCHARGER	24 - 99
1G23	THERMOSTAT HOUSING, ENGINE	24 - 115	1G8	TURBOCHARGER	24 - 100
1G24	THERMOSTAT HOUSING, ENGINE	24 - 117	1G7	TURBOCHARGER CENTER HOUSING	24 - 99
2D13	THERMOSTAT KIT, AIR CONDITIONER (630101-640100)	40 - 26	1G8	TURBOCHARGER HARDWARE KIT	24 - 100
1G23	THERMOSTAT, ENGINE	24 - 115	1G12	TURBOCHARGER OIL LINES	24 - 104
1G24	THERMOSTAT, ENGINE	24 - 117	1G14	TURBOCHARGER OIL LINES	24 - 106
6B13	THRESHING CYLINDER COVER	120 - 1	1G16	TURBOCHARGER OIL LINES	24 - 108
6C1	THRESHING CYLINDER, RASP BAR	120 - 14	1G18	TURBOCHARGER OIL LINES	24 - 110
6C10	THRESHING CYLINDER, SPIKE TOOTH (OPTIONAL)	120 - 24	2C20	TURN LIGHTS	40 - 9
2F19	THROTTLE CONTROL PANEL, RELAY AND CIRCUIT BREAKER	40 - 82	3G5	TURN SIGNAL SWITCH	60 - 24
3G23	TIE RODS, STEERING, ADJUSTABLE REAR AXLE	60 - 42	5E10	TURN SIGNAL SWITCH	90 - 72
3G21	TIE RODS, STEERING, FIXED REAR AXLE	60 - 40	U		
3G22	TIE RODS, STEERING, 4-WHEEL DRIVE FIXED REAR AXLE	60 - 41	1C21	UNDERSIZE CRANKSHAFT KIT	24 - 8
6H5	TIGHTENER AND BEATER DRIVE SHEAVES	121 - 52	7H18	UNLOADING AUGER BELTS	170 - 4
6G13	TIGHTENER, CYLINDER DRIVE, DUAL-RANGE	121 - 36	7H1	UNLOADING AUGER COUNTERSHAFT DRIVE	130 - 54
5F22	TIGHTENER, DRIVE, VARIABLE SPEED	110 - 10	7H3	UNLOADING AUGER DRIVE BELT GUIDE	130 - 56
6H17	TIGHTENER, FEEDER HOUSE DRIVE	121 - 64	7G15	UNLOADING AUGER HOUSING, HORIZONTAL (14- AND 17-FT.)	130 - 44
5H1	TIGHTENER, GUIDES AND FEEDER CONVEYOR DRIVE CHAIN	110 - 40	2E23	UNLOADING AUGER LIGHT AND HARNESS	40 - 62
5H19	TIGHTENER, GUIDES AND FEEDER CONVEYOR DRIVE CHAIN-RETROFIT INSTALLATION	110 - 58	2E23	UNLOADING AUGER LIGHT CLAMPS	40 - 62
7D21	TIGHTENER, LOWER TAILINGS AUGER	125 - 58	2E21	UNLOADING AUGER LIMIT SWITCH	40 - 60
7E5	TIGHTENER, LOWER TAILINGS AUGER CHAIN	125 - 66	7H5	UNLOADING AUGER LOWER LUBE HOSE FITTINGS	130 - 58
7E7	TIGHTENER, LOWER TAILINGS AUGER DRIVE	125 - 68	2E11	UNLOADING AUGER SENSOR AND WIRING HARNESS (660101-)	40 - 50
5G11	TILT BEAM, FEEDER HOUSE, CONTOUR MASTER (660101-)	110 - 24	4E18	UNLOADING AUGER SWING HYDRAULIC CYLINDER KIT	70 - 80
4E20	TILT CYLINDER - CONTOUR MASTER	70 - 82	4E12	UNLOADING AUGER SWING HYDRAULIC CYLINDER (-650100)	70 - 74
4E21	TILT CYLINDER HOSES AND FITTINGS - CONTOUR MASTER	70 - 83	4E14	UNLOADING AUGER SWING HYDRAULIC CYLINDER (650101-655355)	70 - 76
1D5	TIMING GEAR COVER	24 - 17	4E16	UNLOADING AUGER SWING HYDRAULIC CYLINDER (655356-)	70 - 78
1D6	TIMING GEAR COVER	24 - 18	4E8	UNLOADING AUGER SWING HYDRAULIC CYLINDER LINES AND HOSES	70 - 70
5C13	TOOL BOX (660101-)	90 - 24			
7I24	TOP DECALS	170 - 36			
7F21	TOP, TANK, GRAIN	130 - 26			

ALPHABETICAL INDEX - CONTINUED

GRID		PAGE	GRID		PAGE
4E12	UNLOADING AUGER SWING HYDRAULIC MOUNTING (-650100)	70 - 74	3D19	VALVE, CONTROL, SOLENOID(FOUR-WHEEL DR.)	50 - 58
4E14	UNLOADING AUGER SWING HYDRAULIC MOUNTING (650101-655355)	70 - 76	1E11	VALVE, ENGINE OIL BYPASS	24 - 48
4E16	UNLOADING AUGER SWING HYDRAULIC MOUNTING (655356-)	70 - 78	1D6	VALVE, ENGINE OIL PRESSURE	24 - 18
7G7	UNLOADING AUGER SWIVEL, HORIZONTAL	130 - 36	1F9	VALVE, EXHAUST	24 - 74
7H7	UNLOADING AUGER UPPER LUBE HOSE FITTINGS	130 - 60	7H13	VALVE, HEADER HEIGHT CONTROL DIAL-A-MATIC	160 - 4
7G11	UNLOADING AUGER, HORIZONTAL, HUB SUPPORT	130 - 40	4C18	VALVE, HEADER HEIGHT CONTROL, DIAL-A-MATIC	70 - 29
4E10	UNLOADING DRIVE CYLINDER, GRAIN TANK	70 - 72	3C24	VALVE, HYDRO. DR. DISPLACEMENT CONTROL	50 - 38
6F4	UNLOADING DRIVE, STRAW CHOPPER AND SEPARATOR DRIVE GEAR- ENGINE GEARCASE ..	121 - 2	1F9	VALVE, INTAKE	24 - 74
6F6	UNLOADING DRIVE, STRAW CHOPPER AND SEPARATOR DRIVE GEAR, ENGINE GEARCASE ..	121 - 4	3D3	VALVE, MANIFOLD	50 - 42
7H19	UNLOADING SYSTEM BELTS	170 - 5	3F7	VALVE, PARKING BRAKE (-640100)	60 - 1
7F3	UPPER CLEAN GRAIN ELEVATOR	130 - 8	4B19	VALVE, REEL DRIVE FLOW CONTROL	70 - 6
7F5	UPPER CLEAN GRAIN ELEVATOR SHAFT, SPROCKET AND SHEAVE	130 - 10	4D19	VALVE, REEL FORE/AFT, DOUBLE PILOTED, SOLENOID CONTROL VALVE	70 - 55
7F17	UPPER CLEAN GRAIN ELEVATOR SHIELDS (-640100)	130 - 22	4D18	VALVE, REEL FORE/AFT, DOUBLE PILOTED, SOLENOID CONTROL VALVE (-650100)	70 - 54
7F19	UPPER CLEAN GRAIN ELEVATOR SHIELDS (640101-)	130 - 24	4D17	VALVE, SOLENOID CONTROL AUGER SWING (650100-)	70 - 52
7F7	UPPER CLEAN GRAIN LOADING AUGER HOUSING ..	130 - 12	4D22	VALVE, SOLENOID CONTROL - CONTOUR MASTER (660101-)	70 - 58
7F9	UPPER CLEAN GRAIN LOADING AUGER HOUSING (660101-)	130 - 14	4D24	VALVE, SOLENOID CONTROL MODULE ASSEMBLY AND MOUNTINGS	70 - 60
2E17	UPPER HARNESS FOR 6068 ENGINE UPPER PARTS	40 - 56	4D10	VALVE, SOLENOID CONTROL RELIEF - CONTOUR MASTER	70 - 45
2E17	UPPER HARNESS FOR 6359 ENGINE UPPER PARTS	40 - 56	4D13	VALVE, SOLENOID CONTROL, CYLINDER SPEED AND REEL LIFT BI-DIRECTIONAL MODULE	70 - 48
4D3	UPPER HYDRAULIC RETURN LINES	70 - 38	4D11	VALVE, SOLENOID CONTROL, HEADER LIFT MODULE	70 - 46
3E7	UPPER HYDROSTATIC DRIVE HOSES (FOUR WHEEL DRIVE)(655101-)	50 - 72	1E3	VALVE,ENGINE OIL BY-PASS	24 - 40
5G16	UPPER SHAFT, FEEDER HOUSE (-641500)	110 - 30	5E25	VALVES, COMPRESSOR SERVICE (-650100) R-12 REFRIGERANT	90 - 87
5G20	UPPER SHAFT, FEEDER HOUSE (641501-)	110 - 34	1F3	VALVES, EXHAUST	24 - 68
3G3	UPPER STEERING HOSES	60 - 22	1F5	VALVES, EXHAUST	24 - 70
7H19	UPPER TAILINGS AUGER BELT	170 - 5	1F7	VALVES, EXHAUST	24 - 72
7E11	UPPER TAILINGS AUGER DRIVE	125 - 72	1F3	VALVES, INTAKE	24 - 68
7E13	UPPER TAILINGS AUGER DRIVE	125 - 74	1F5	VALVES, INTAKE	24 - 70
7E9	UPPER TAILINGS AUGER HOUSING AND PADDLE ASSEMBLY	125 - 70	1F7	VALVES, INTAKE	24 - 72
7E9	UPPER TAILINGS AUGER PADDLE ASSEMBLY	125 - 70	4B22	VARIABLE DRIVE HYD. HOSE, FEEDER HOUSE	70 - 9
7E11	UPPER TAILINGS AUGER, DRIVE AND SHIELD	125 - 72	5H5	VARIABLE DRIVE, FEEDER HOUSE, UPPER COUNTERSHAFT	110 - 44
7E13	UPPER TAILINGS AUGER, DRIVE AND SHIELD	125 - 74	5F20	VARIABLE FRONT SHAFT WITH REVERSER	110 - 8
7E6	UPPER TAILINGS DRIVE CHAIN TIGHTENER	125 - 67	6G3	VARIABLE SHEAVE AND SUPPORTS, PRIMARY COUNTERSHAFT, REG. AND EXTENDED RANGE..	121 - 26
3E5	UPPER, HYDROSTATIC DRIVE OIL HOSES (FOUR WHEEL DRIVE) (-655100)	50 - 70	5F22	VARIABLE SPEED DRIVE TIGHTENER	110 - 10
4F18	UPRIGHT KIT, NO. 1	80 - 4	5H5	VARIABLE DRIVE, FEEDER HOUSE, UPPER COUNTERSHAFT SUPPORTS	110 - 44
4F19	UPRIGHT KIT, NO. 5	80 - 5	1F1	VENTILATING SYSTEM, ENGINE	24 - 66
	V		1E25	VENTILATOR TUBE, ENGINE	24 - 64
3D3	VALVE BLOCK	50 - 42	7G3	VERTICAL AUGER LOWER GEAR CASE	130 - 32
7H10	VALVE BLOCK AND HYDRAULIC LINE, DIAL-A-MATIC HEADER HEIGHT CONTROL	160 - 1	2F3	VOLTAGE REGULATOR AND ALTERNATOR(90 AMP) MOTOROLA-PRESTOLITE (-650100)	40 - 66
4E1	VALVE MODULE, SIX STACK SOLENOID CONTROL ASSEMBLY & MOUNTINGS (660101-)	70 - 62	2F7	VOLTAGE REGULATOR, ALTERNATOR (95 AMP) BOSCH (650101-)	40 - 70
1C15	VALVE STEM LUBRICANT, ENGINE	24 - 2		W	
4D15	VALVE, AUGER SWING, DOUBLE PILOTED, SOLENOID CONTROL VALVE (-6500100)	70 - 50	7H16	WALKER BELTS	170 - 2
3D17	VALVE, CONTROL (-655100)	50 - 56	6E11	WALKERS, STRAW	120 - 74
3D18	VALVE, CONTROL (655101-)	50 - 57	2G17	WARNING LIGHTS, TRANSPORT	40 - 104
			2E14	WARNING SWITCH, AIR FILTER	40 - 53
			2D22	WASHER, WINDSHIELD	40 - 36
			1G19	WATER PUMP	24 - 111
			1G20	WATER PUMP	24 - 112
			1G21	WATER PUMP	24 - 113

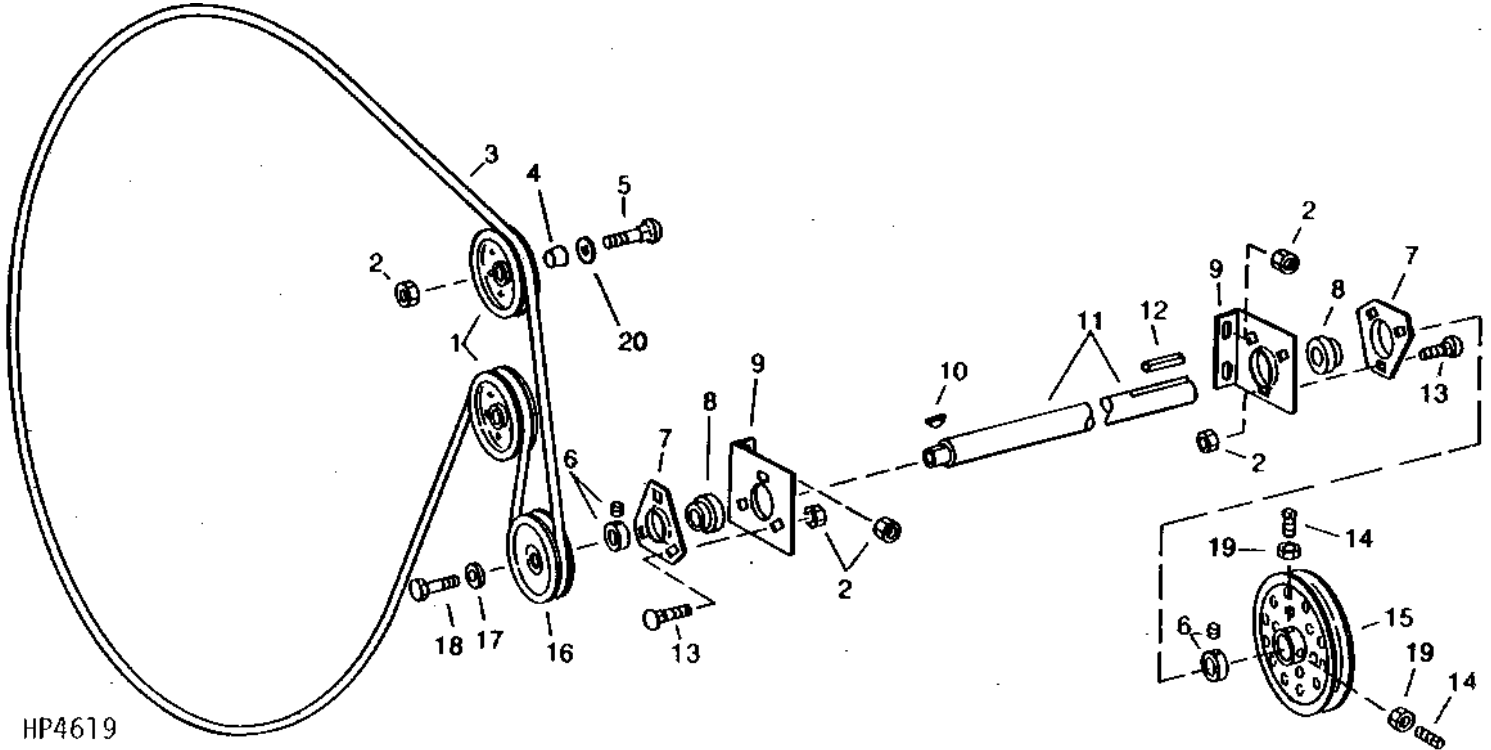
ALPHABETICAL INDEX - CONTINUED

<i>GRID</i>		<i>PAGE</i>	<i>GRID</i>	<i>PAGE</i>
1G21	WATER PUMP IMPELLER	24 - 113		
1G22	WATER PUMP INLET	24 - 114		
1G20	WATER PUMP PULLEY	24 - 112		
1G22	WATER PUMP PULLEY	24 - 114		
2B14	WATER SEPARATOR	30 - 4		
5G9	WEAR PLATES, FEEDER HOUSE - CONTOUR MASTER (660101-)	110 - 22		
2F23	WEATHERPACK CONNECTORS	40 - 86		
2F23	WEATHERPACK TERMINALS	40 - 86		
5C1	WEATHERSTRIP, CAB DOOR	90 - 12		
4F9	WET CLUTCH CONTROL SOLENOID VALVE (PRESSURE REGULATOR)	70 - 96		
4E22	WET CLUTCH OIL COOLER HYDRAULIC LINES AND HOSES (-640100)	70 - 84		
4F1	WET CLUTCH OIL COOLER HYDRAULIC LINES AND HOSES (665101-)	70 - 88		
4E24	WET CLUTCH OIL COOLER LINES AND HOSES (640101-665100)	70 - 86		
3H7	WHEEL WEIGHTS AND REAR WHEELS	60 - 50		
3G5	WHEEL, STEERING	60 - 24		
5E10	WHEEL, STEERING	90 - 72		
3B21	WHEELS, DRIVE	50 - 8		
3G24	WHEELS, REAR (4-WHEEL DRIVE/CAM LODE MOTOR).....	60 - 43		
3H7	WHEELS, REAR, AND WHEEL WEIGHTS	60 - 50		
2D22	WINDSHIELD WASHER	40 - 36		
2D18	WINDSHIELD WIPER (LONG)	40 - 32		
7D1	WINGS, SEALS AND PAN, CHAFF SPREADER (DUAL MOTOR) (650101-)	125 - 38		
2D20	WIPER (SHORT)	40 - 34		
2C13	WIPER MOTOR (WIRING HARNESS).....	40 - 2		
2C13	WIPER SWITCH (WIRING HARNESS).....	40 - 2		
2D20	WIPER, WINDSHEILD (SHORT).....	40 - 34		
2D18	WIPER, WINDSHIELD (LONG).....	40 - 32		
2G5	WIRING AND TERMINAL KIT.....	40 - 92		
2G5	WIRING CRIMPING TOOL	40 - 92		
2E3	WIRING HARNESS ADAPTER, CONTOUR MASTER ..	40 - 42		
2D11	WIRING HARNESS, A/C, HEATER AND AIR SEAT (660101-)	40 - 24		
4B15	WIRING HARNESS, ACCUMULATOR PRESSURE GAUGE.....	70 - 2		
2C23	WIRING HARNESS, ARMREST	40 - 12		
2E23	WIRING HARNESS, DUAL LEVEL MONITOR.....	40 - 62		
2E21	WIRING HARNESS, GRAIN TANK.....	40 - 60		
2E15	WIRING HARNESS, HARVESTRAK MONITOR.....	40 - 54		
2E3	WIRING HARNESS, MAIN, L.H. CENTER	40 - 42		
2D24	WIRING HARNESS, MAIN, L.H. FRONT	40 - 38		
2E7	WIRING HARNESS, R.H. MAIN	40 - 46		
2D5	WIRING HARNESS, STEERING COLUMN (-645340).....	40 - 18		
2D7	WIRING HARNESS, STEERING COLUMN (646237-)	40 - 20		
2E11	WIRING HARNESS, UNLOADING AUGER (660101-)	40 - 50		
2E23	WIRING HARNESS, UNLOADING AUGER LIGHT	40 - 62		
2E1	WIRING HARNESS,L H MAIN, L H FRONT	40 - 40		
2G5	WIRING STRIPPING TOOL.....	40 - 92		
2G7	WIRING, SUPPLEMENTARY TERMINALS AND CONNECTORS	40 - 94		
Y				
3D13	YOKE, PIVOTS, AND CAPS (STEERABLE MOTOR)	50 - 52		

1B12

ENGINE FAN, INTERCOOLER AND SCREENS

ROTARY SCREEN DRIVE (-645100)
HP4619 -UN-01JAN94



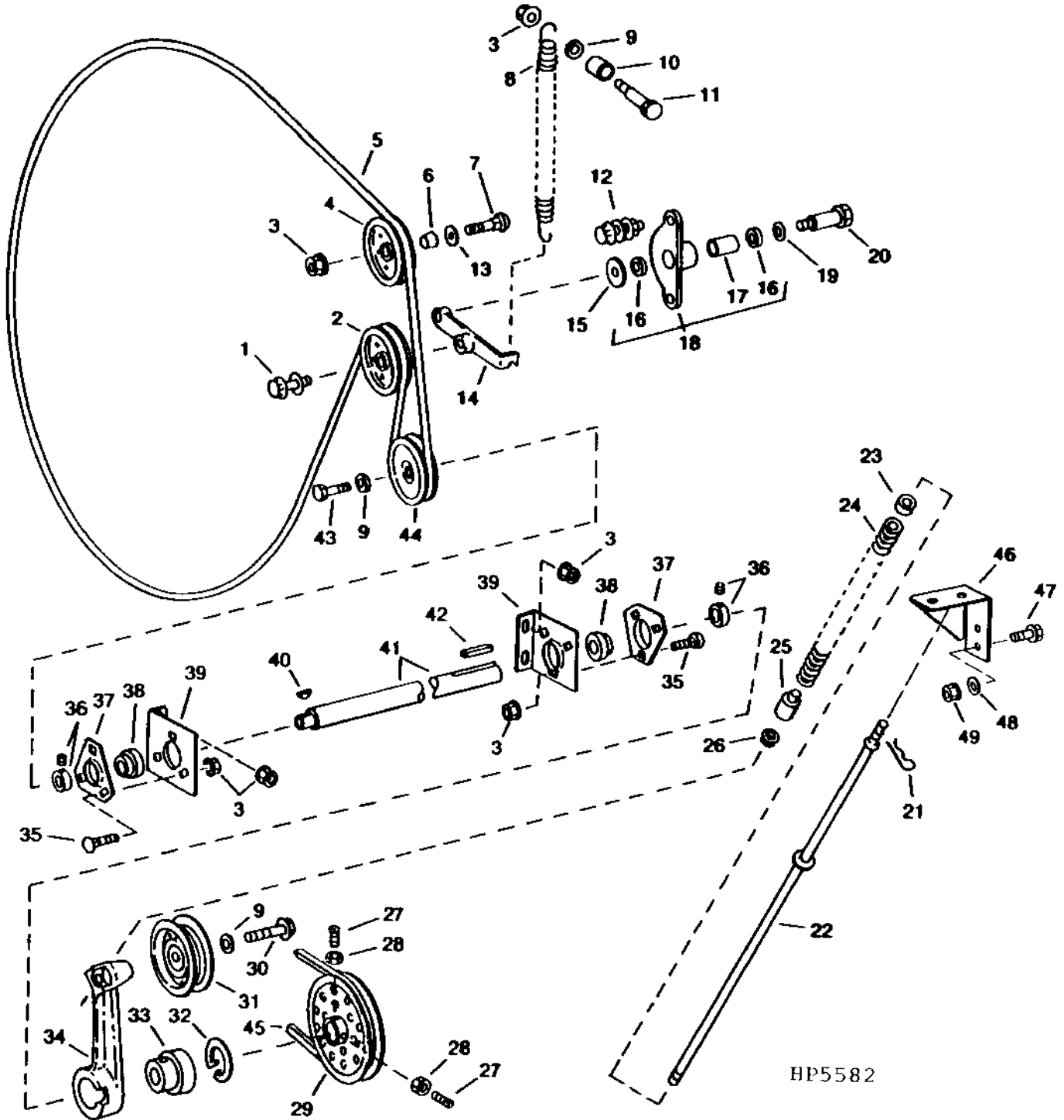
HP4619

KEY	PART NO.	PART NAME	QTY	SERIAL NO.	REMARKS
1	AH135035	SHEAVE	2		(SUB FOR AH115347)
2	14M7298	FLANGE NUT	11		M8
3	H143869	BELT	1	-640505	(SUB FOR H133576)
	H145158	BELT	1	640506-	
4	H121407	SPACER	2		
5	03M7224	BOLT	2		M8 X 65
	03M7223	BOLT	2		M8 X 60
6	AZ10044	ECCENTRIC LOCKING COLLAR	2		
7	H103264	PRESSED FLANGED HOUSING	2		
8	JD39102	BALL BEARING	2		
9	H123652	PRESSED FLANGED HOUSING	2		
10	26M7002	SHAFT KEY	1		5 X 16 MM
11	H134528	COUNTERSHAFT	1		
12	49M4100	SHAFT KEY	1		6 X 25 MM
13	03M7183	BOLT	6		M8 X 16
14	A50744	BOLT	2		M8 X 25
15	AH115639	SHEAVE	1		
16	H118719	HALF SHEAVE	2		
17	24M7207	WASHER	1		8.400 X 24 X 2 MM
18	19M7865	SCREW	1		M8 X 16
19	14M7273	NUT	2		M8
20	24H1850	WASHER	2	-635100	17/32" X 1-1/4" X 0.180"
	24M7055	WASHER	2	635101-	8.400 X 16 X 1.600 MM
	24M7178	WASHER	1	635101-	10.500 X 30 X 2.500 MM

1B13

ENGINE FAN, INTERCOOLER AND SCREENS

ROTARY SCREEN DRIVE AND IDLER ARMS (645101-)
HP5582 -UN-01JAN94



HP5582

1B14

ENGINE FAN, INTERCOOLER AND SCREENS

ROTARY SCREEN DRIVE AND IDLER ARMS (645101-) - CONTINUED

KEY	PART NO.	PART NAME	QTY	SERIAL NO.	REMARKS
1	19M7867	SCREW	1		M8 X 25
	24M7207	WASHER	1		8.400 X 24 X 2 MM
2	AH140119	SHEAVE	1		
3	14M7298	FLANGE NUT	10		M8
4	AH135035	SHEAVE	1		
5	H145158	BELT	1		
6	SPACER	1		(ORDER AH135035)
7	03M7224	BOLT	1		M8 X 65
8	H146577	EXTENSION SPRING	1		
9	24M7207	WASHER	3		8.400 X 24 X 2 MM
10	28H1720	BUSHING	1		0.423" X 0.675" X 27/32"
11	H140715	BOLT	1		
12	19M7867	SCREW	2		M8 X 25
	24H1296	WASHER	2		11/32" X 1-3/8" X 0.134"
	14M7298	FLANGE NUT	2		M8
13	24H1850	WASHER	1		17/32" X 1-1/4" X 0.180"
14	H146064	PITMAN ARM	1		
15	24H1342	WASHER	1		17/32" X 1-1/4" X 0.036"
16	AH10888	SEAL	2		
17	R36119	BUSHING	1		
18	AH140170	SUPPORT	1		
19	24H1341	WASHER	1		17/32" X 15/16" X 0.060"
20	M111701	BOLT	1		
21	J16931	SPRING LOCKING PIN	1		
22	H131949	ROD	1		
23	H123918	SPACER	1		
24	H131948	SPRING	1		
25	H134214	GUIDE	1		
26	14M7296	FLANGE NUT	1		M10
27	A50744	BOLT	2		
28	14M7273	NUT	2		M8
29	AH115639	SHEAVE	1		
30	19M7868	SCREW	1		M8 X 30
31	AH140497	SHEAVE	1		
32	R55408	WEAR RING	1		
33	AH140495	BALL BEARING	1		
34	H146586	ARM	1		
35	03M7183	BOLT	6	-665216	M8 X 16
	19M7865	SCREW	6	665217-	M8 X 16
36	AZ10044	ECCENTRIC LOCKING COLLAR	2		
37	H103264	PRESSED FLANGED HOUSING	2		
38	JD39102	BALL BEARING	2		
39	H123652	PRESSED FLANGED HOUSING	2		
40	26M7002	SHAFT KEY	1		WOODRUFF
41	H134528	COUNTERSHAFT	1		
42	49M4100	SHAFT KEY	1		6 X 25 MM
43	19M7865	SCREW	1		M8 X 16
44	H118719	HALF SHEAVE	2		
45	H134216	BELT	1	-640505	
	H146636	BELT	1	640506-	
46	H162138	BRACKET	1	645101-	(SUB FOR H146680)
47	19M7865	SCREW	2	645101-	M8 X 16
48	24M7207	WASHER	2	645101-	8.400 X 24 X 2 MM
49	14M7298	FLANGE NUT	2	645101-	M8

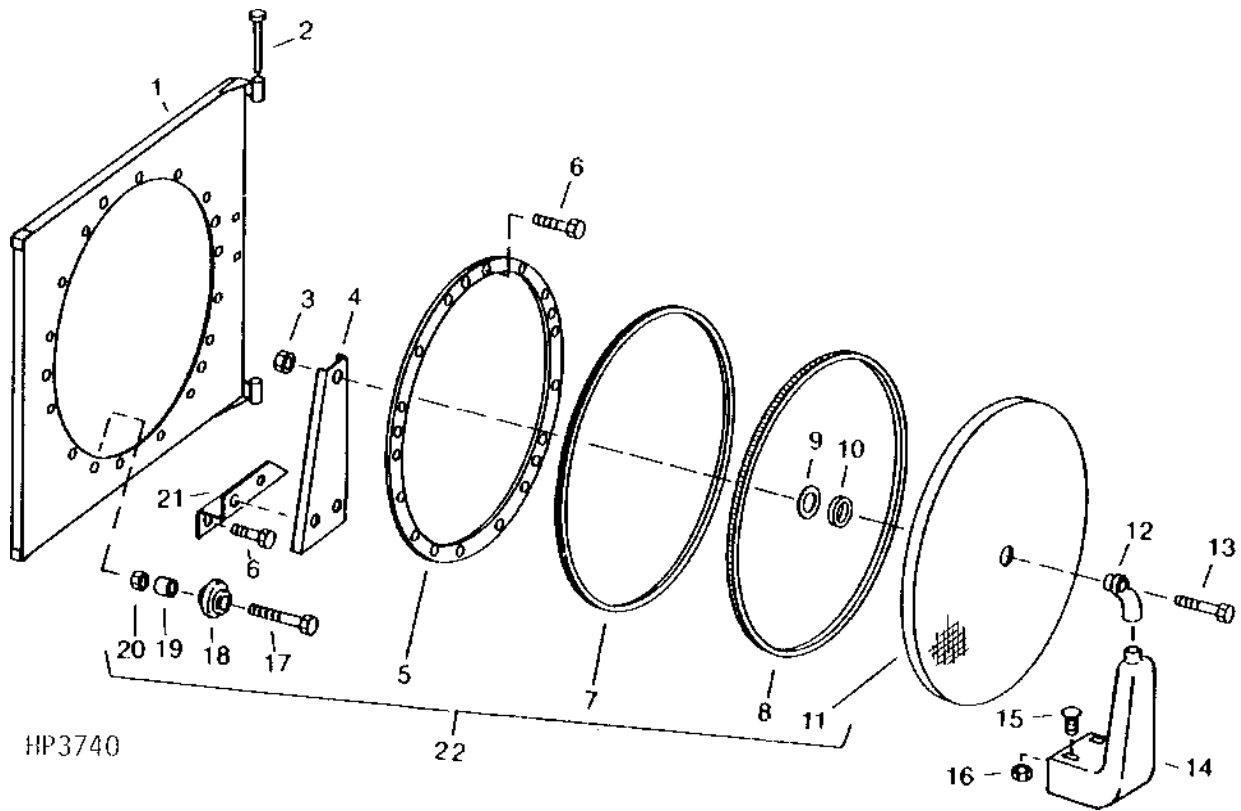
1B15

ENGINE FAN, INTERCOOLER AND SCREENS

ROTARY SCREEN DOOR AND SCREEN

(-640100)

HP3740 -UN-01JAN94



1B16

ENGINE FAN, INTERCOOLER AND SCREENS

ROTARY SCREEN DOOR AND SCREEN - CONTINUED
(-640100)

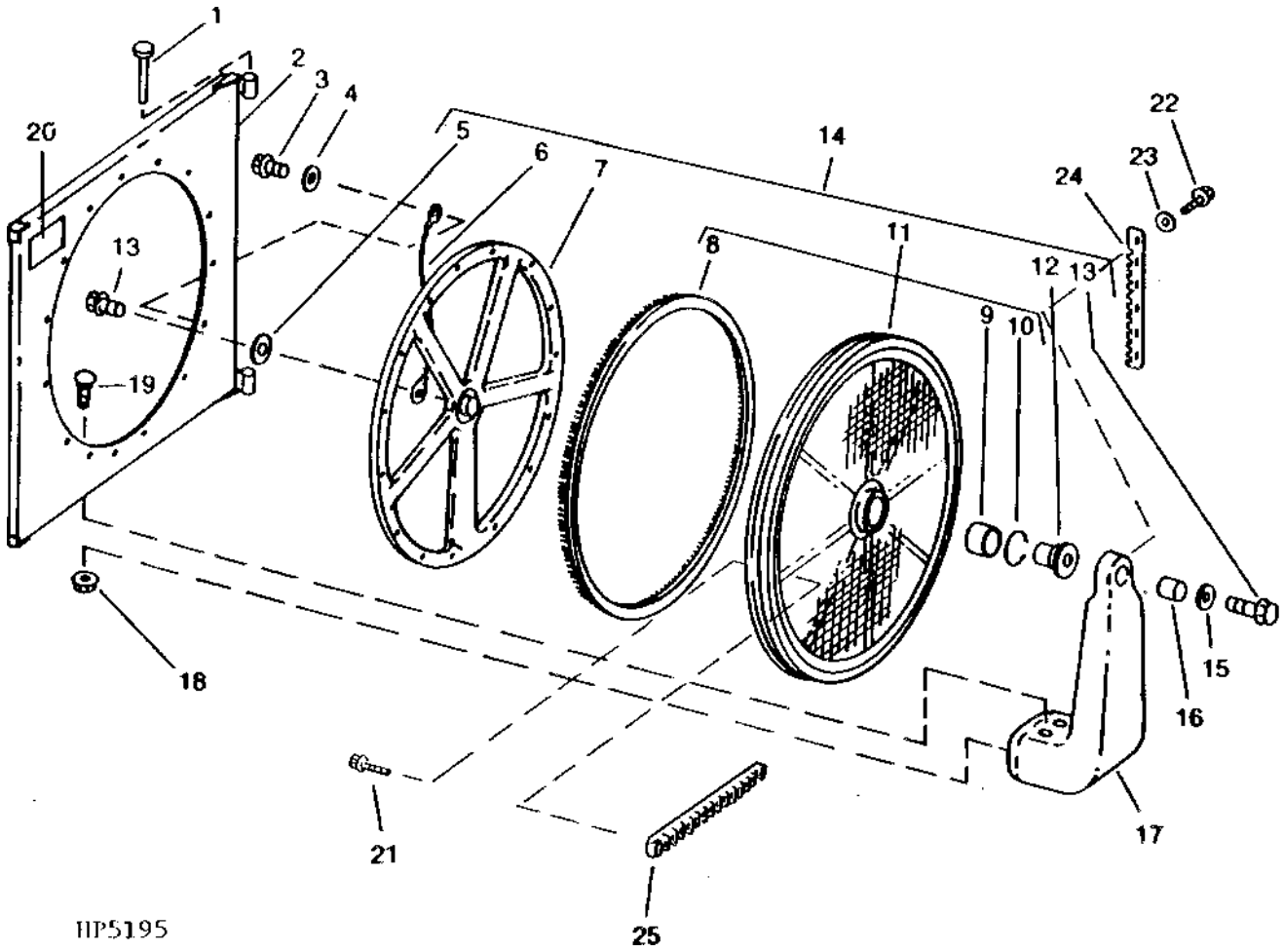
KEY	PART NO.	PART NAME	QTY	SERIAL NO.	REMARKS
1	AH125208	DOOR	1	-640100	
	AH135241	DOOR	1	640101-640505	
	AH140118	SHEET	1	640506-	
2	H114818	PIN	2		
3	14M7296	FLANGE NUT	1	-635100	M10
4	H125377	CHANNEL	1	-640100	
5	H129683	RING	1	-640100	(SUB AH134646 OR AH141672) (ALSO ORDER H143562 AND 19M8162 AND 24M7055 AND 24M7178 AND 28H1524)
6	19M7865	SCREW	17	-635100	M8 X 16
	19M8162	CAP SCREW	17	635101-	M10 X 40
7	H138987	BRUSH	1		
8	H134354	BRUSH	1	-640100	
9	H134409	SPRING WASHER	1	-635100	
10	H119475	THRUST WASHER	1	-635100	
11	AH123792	SCREEN	1	-640100	(SUB AH134646 OR AH141672) (ALSO ORDER H143562 AND 19M8162 AND 24M7055 AND 24M7178 AND 28H1524)
12	H118781	HUB	1	-640100	
13	19M7835	SCREW	1	-635100	M10 X 35
14	H144277	AIR DUCT	1	-640100	(SUB FOR H125379)
	H143562	AIR DUCT	1	-650100	
	AH141808	AIR DUCT	1	650101-	
15	03M7183	BOLT	2		M8 X 16
16	14M7298	FLANGE NUT	4	-635100	M8
17	19M7658	CAP SCREW	5	-640100	M10 X 50
18	AH135789	WHEEL	5	-640100	(SUB FOR AH128665)
19	28H1521	SPACER	5	-640100	
20	14M7517	LOCK NUT	AR	-650100	M10
	A51212	LOCK NUT	1	650101-	
21	H125376	BRACKET	1	-640100	
22	AH135790	SCREEN	1	-640100	(SUB AH141672, H143562, 19M8162, 24M7055, 24M7178, 28H1524 AND AH130423)
	AH134646	SCREEN	1		(SUB AH141672)

1B17

ENGINE FAN, INTERCOOLER AND SCREENS

ROTARY SCREEN DOOR AND SCREEN

(640101-)
HP5195 -UN-01JAN94



1B18

ENGINE FAN, INTERCOOLER AND SCREENS

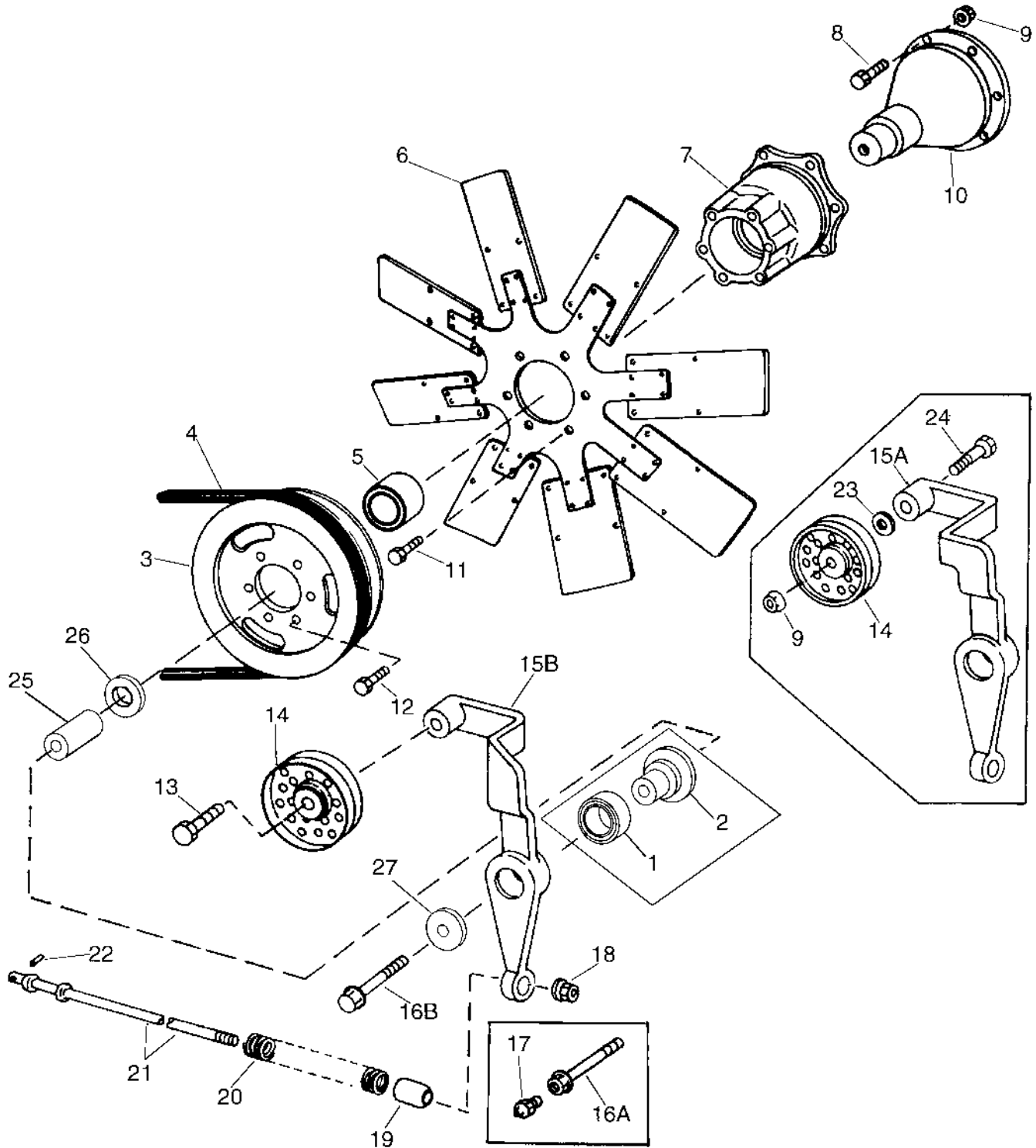
ROTARY SCREEN DOOR AND SCREEN - CONTINUED
(640101-)

KEY	PART NO.	PART NAME	QTY	SERIAL NO.	REMARKS
1	H114818	PIN	2		
2	AH135241	DOOR	1	-640505	
	AH140118	SHEET	1	640506-	
3	19M7865	SCREW	15		M8 X 16
4	12M7032	LOCK WASHER	1		8.400 MM (0.331") (SUB FOR 12M7122)
5	24M7028	WASHER	1		10.500 X 20 X 2 MM
6	AH138257	WIRING LEAD	1		
7	AH134642	HUB	1		
8	AH141849	BRUSH	1		(SUB FOR AH141849)
9	AH109788	ROLLER BEARING	1		
10	H83285	SNAP RING	1		
11	AH141671	SCREEN	1		(SUB FOR AH134643)
12	H140380	HUB	1		
13	19M8162	CAP SCREW	1		M10 X 40
14	AH141672	SCREEN	1		(SUB FOR AH134646)
15	24M7178	WASHER	1	-650100	10.500 X 30 X 2.500 MM
	24M7180	WASHER	1	650101-	13 X 37 X 3 MM
16	28H1720	BUSHING	1		0.423" X 0.675" X 27/32"
17	H143562	AIR DUCT	1	-650100	
	AH141808	AIR DUCT	1	650101-	
18	14M7298	FLANGE NUT	2		M8
19	03M7183	BOLT	2		M8 X 16
20	H144692	LABEL	1		
21	37H143	SCREW	16	650101-	
22	19M7774	SCREW	6	650101-	M6 X 12
23	24M7207	WASHER	6	650101-	8.400 X 24 X 2 MM
24	H148416	KNIFE	1	650101-	
25	AH142527	RAKE	1	650101-	

1B19

ENGINE FAN, INTERCOOLER AND SCREENS

ENGINE FAN AND DRIVES
HP6593 -UN-13DEC96



HP6593

1B20

ENGINE FAN, INTERCOOLER AND SCREENS

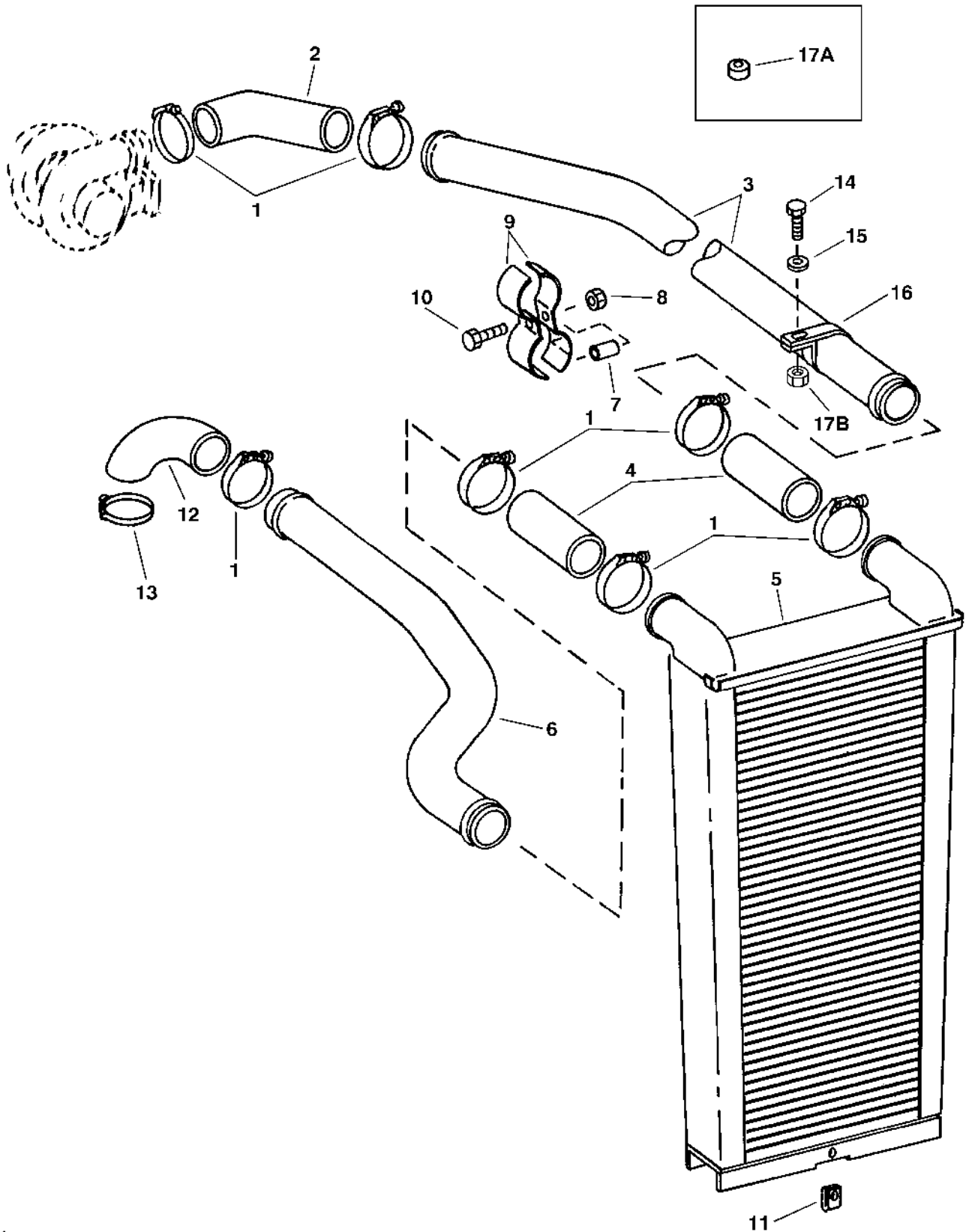
ENGINE FAN AND DRIVES - CONTINUED

KEY	PART NO.	PART NAME	QTY	SERIAL NO.	REMARKS
1	JD9239	BEARING	1	-640100	
	AH137791	BEARING CONE	1	640101-16SE96	
2	H125568	SPACER	1	-640100	
	H144021	SPACER	1	640101-16SE96	
3	H129248	SHEAVE	1		
4	H132809	BELT	1	-640100	
	H132808	BELT	1	640101-	
5	AH120815	ROLLER BEARING	1		(SUB FOR AH146634)
6	AH125673	SUCTION FAN	1		
7	H134143	HUB	1		
8	19M7786	SCREW	4		M10 X 30
9	14M7400	LOCK NUT	4		M10, (SUB FOR 14M7296)
10	H134144	SUPPORT	1		(SUB FOR H152317)
11	19M7866	SCREW	1		M8 X 20
12	19M7867	SCREW	6		M8 X 25
13	19M8306	SCREW	1	640101-	M12 X 50
14	AH96292	SHEAVE	1		(SUB FOR H144020, H144021, AH137791 AND AH120817)
15A	H134145	ARM	1	-640100	(SUB AH137791 AND AH96292 AND H144020 AND H144021 AND 19M8306)
15B	H144020	ARM	1	640101-	
16A	H140846	BOLT	1		(SUB FOR H125572) 1/4" - TAPPED BOLT
16B	19M8306	SCREW	1	665106-16SE96	M12 X 50
	19M7821	SCREW	1	16SE96-670212	M12 X 120
	H140848	SET SCREW	1	670213-	
17	JD7759	LUBRICATION FITTING	1	-630500	1/8" - STRAIGHT
	JD7797	LUBRICATION FITTING	1	630501-640100	1/4" - STRAIGHT
	JD7788	LUBRICATION FITTING	1	640101-665105	1/4" - 45 DEGREE
18	14M7296	FLANGE NUT	1		M10
19	H134214	GUIDE	1		
20	H131948	SPRING	1		
21	H131949	ROD	1		
22	J16931	SPRING LOCKING PIN	1		
23	24H1307	WASHER	1	-640100	13/32" X 1" X 1/16"
24	19M8292	SCREW	1	-640100	M10 X 50
25	H125467	BUSHING	1	16SE96-	13 X 25.310 X 90 MM (0.512" X 0.996" X 3.543")
26	H125466	WASHER	1	16SE96-	13.500 X 48 X 8 MM (0.531" X 1.890" X 0.315")
27	24M7180	WASHER	1	16SE96-	13 X 37 X 3 MM (0.512" X 1.457" X 0.118")

1B21

ENGINE FAN, INTERCOOLER AND SCREENS

INTERCOOLER
HP6734 -UN-02JUN97



HP6734

1B22

ENGINE FAN, INTERCOOLER AND SCREENS

INTERCOOLER - CONTINUED

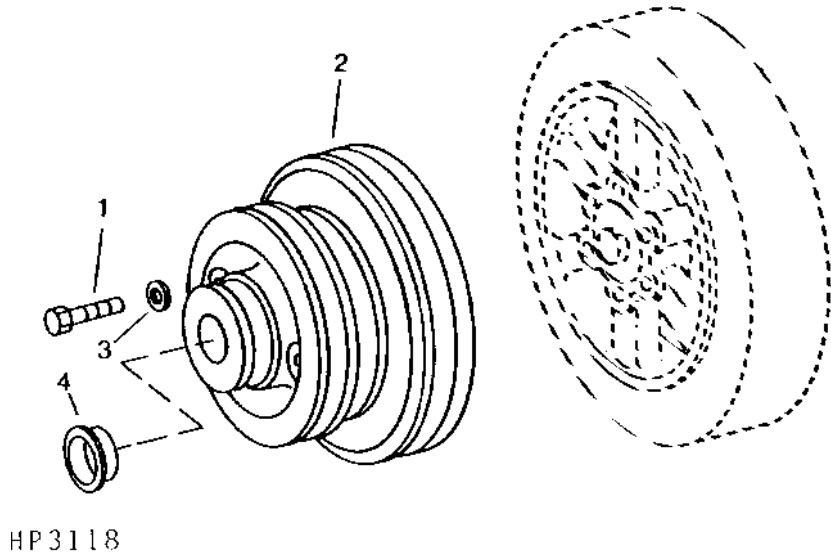
KEY	PART NO.	PART NAME	QTY	SERIAL NO.	REMARKS
1	AT39141	HOSE CLAMP	7		
2	H144248	HOSE	1		
3	H144247	TUBE	1		
	H160359	TUBE	1		(SUB FOR H154498)
4	H133051	HOSE	2		
5	AH151139	AIR COOLER	1		(SUB FOR AH140474)
6	H144245	TUBE	1	-16SE96	
	H151061	TUBE	1	16SE96-	
7	28H1903	BUSHING	1		
8	14M7298	FLANGE NUT	1		M8
	14M7396	LOCK NUT	1		M8
9	H133751	CLAMP	2		
10	19M8317	SCREW	1		M8 X 40
11	M84971	NUT	1		
12	H144246	HOSE	1		
13	AT37476	HOSE CLAMP	1	-670219	
	RE37039	CLAMP	1	640442-650100	
	AT105289	CLAMP	1	650101-	
	H161228	CLAMP	1	670220-	
14	19H2633	CAP SCREW	1		3/8" X 1-1/2"
	19M7865	SCREW	1	16SE96-	M8 X 16
15	24H1305	WASHER	1		13/32" X 13/16" X 0.065"
16	F1451R	CLAMP	1	-660221	
	H143757	HOSE CLAMP	1	660222-	
17A	H24907	BUSHING	1	-16SE96	
17B	14M7298	FLANGE NUT	1	16SE96-	M8

1B23

ENGINE FAN, INTERCOOLER AND SCREENS

ENGINE DRIVE

HP3118 -UN-01JAN94



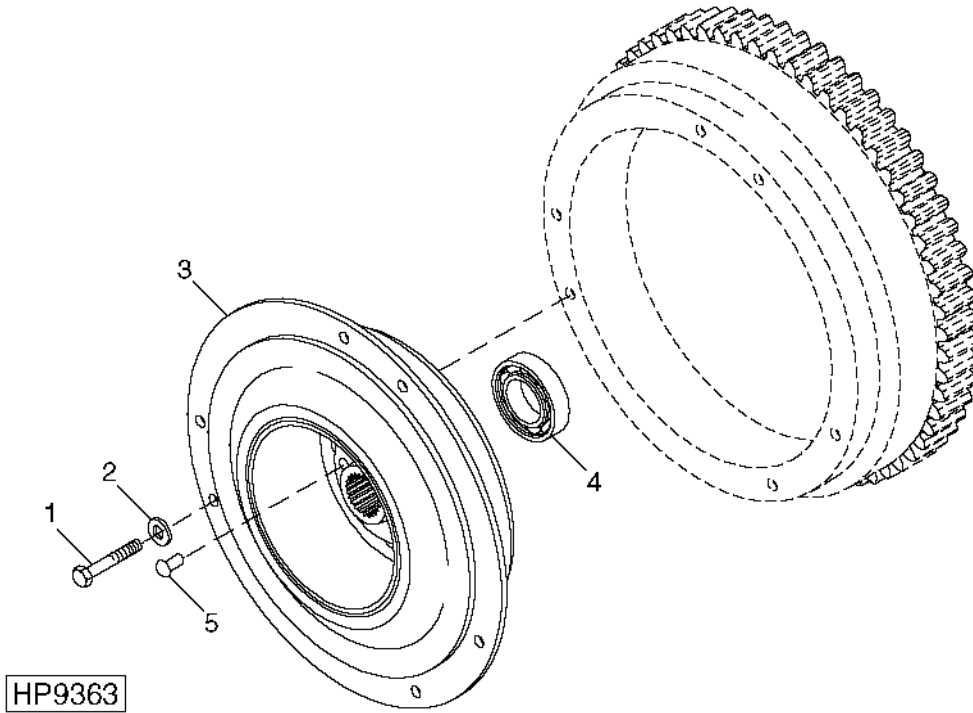
KEY	PART NO.	PART NAME	QTY	SERIAL NO.	REMARKS
1	19H3404	CAP SCREW	4	-640100	3/8" X 4"
	19H3445	CAP SCREW	4	640101-	3/8" X 3-3/4"
2	H134235	SHEAVE	1	-640100	6359 ENGINE
	H144124	PULLEY	1	640101-665539	6068 ENGINE
	H150943	PULLEY	1	665540-	6068 ENGINE
3	24M7239	WASHER	4		10.700 X 21 X 2.500 MM
4	B2984R	PLUG	1		

1B24

ENGINE FAN, INTERCOOLER AND SCREENS

ENGINE - GEARCASE COUPLING WITH HUB

HP9363 -UN-02DEC99

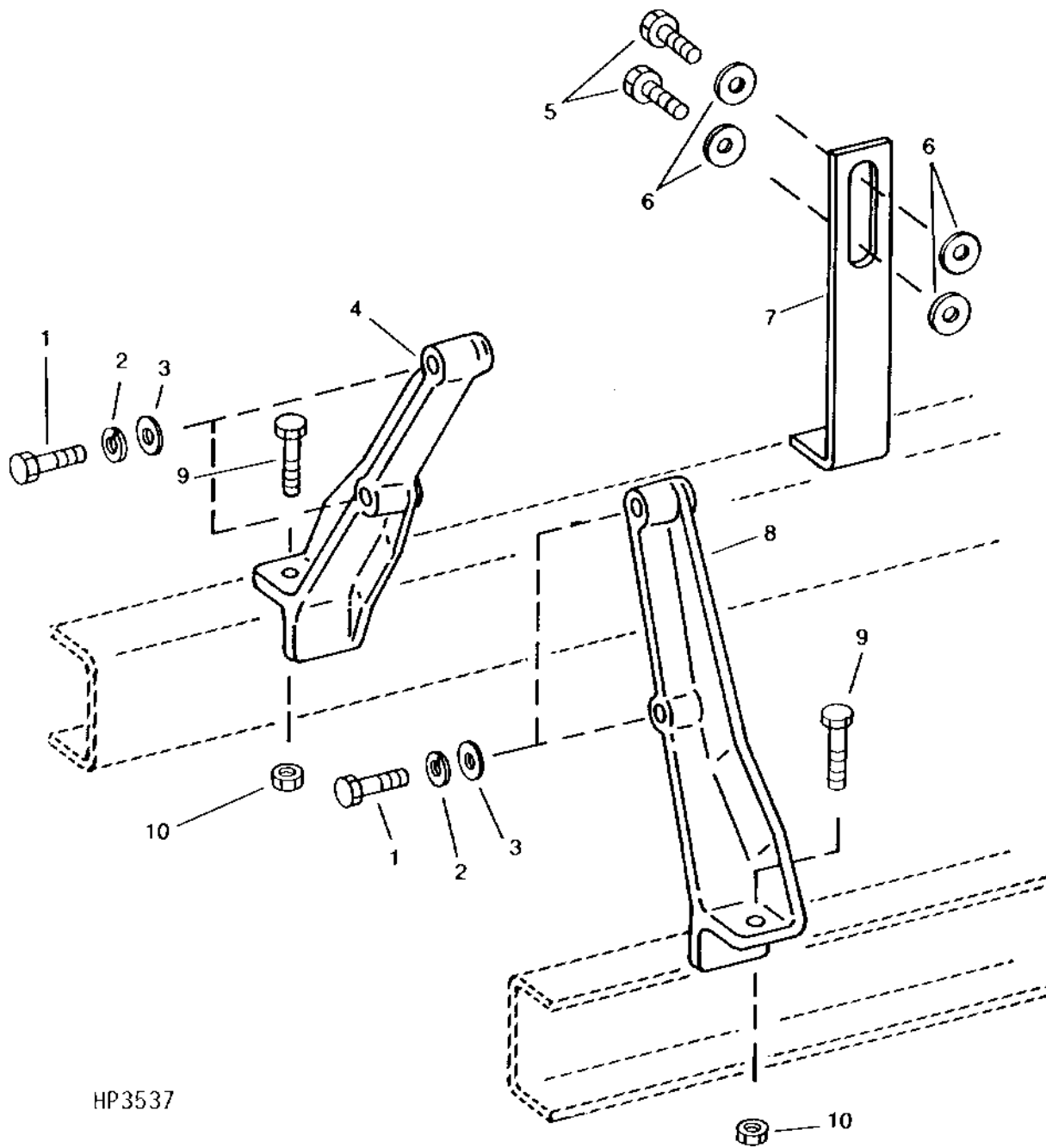


KEY	PART NO.	PART NAME	QTY	SERIAL NO.	REMARKS
1	R57725	SCREW	6		
2	R42729	WASHER	6		
3	AH117782	COUPLING	1		
4	AR48751	BALL BEARING	1		
5	16H1559	RIVET	6	7/16" X 1-1/4"	

1C1

6359 ENGINE MOUNTS AND REAR SUPPORT

HP3537 -UN-01JAN94



HP3537

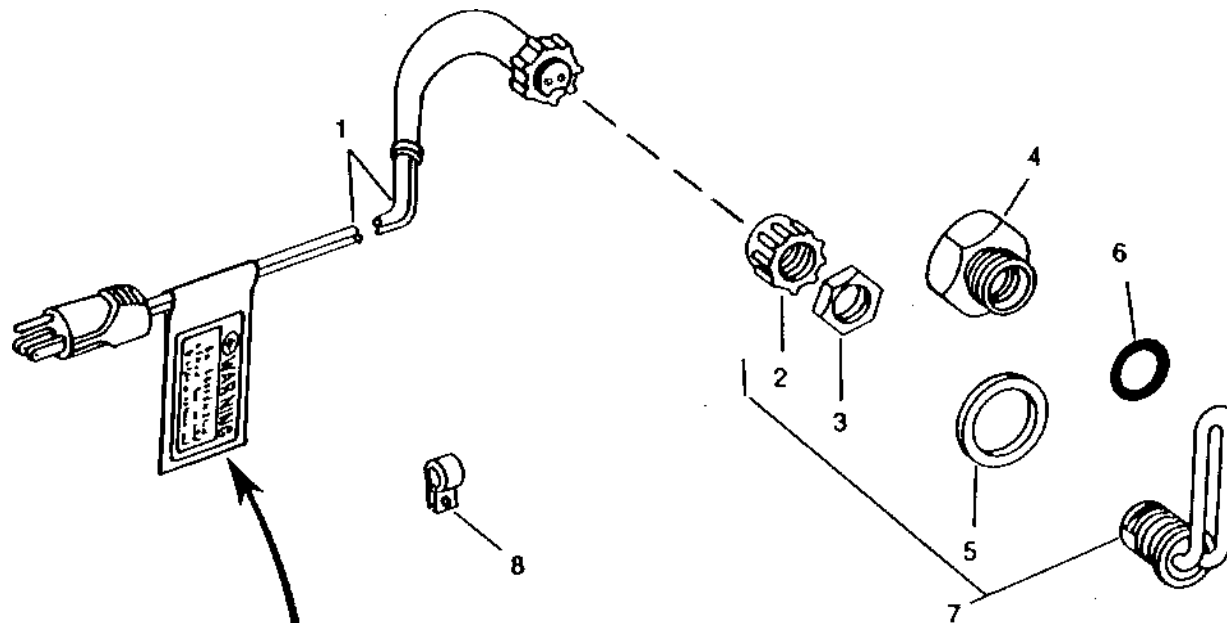
1C2

ENGINE FAN, INTERCOOLER AND SCREENS

6359 ENGINE MOUNTS AND REAR SUPPORT - CONTINUED

KEY	PART NO.	PART NAME	QTY	SERIAL NO.	REMARKS
1	19H1824	CAP SCREW	1	665540-665539	5/8" X 2-1/4"
	19M7824	SCREW	1		M16 X 60
2	12H294	LOCK WASHER	4	-665539	5/8"
	24H1373	WASHER	4	665540-	21/32" X 1-9/16" X 0.180"
3	19H1824	CAP SCREW	4		5/8" X 2-1/4"
4	H130089	SUPPORT	1		(SUB FOR H146944)
5	19H1782	CAP SCREW	2		3/4" X 2-1/4"
6	24H1368	WASHER	4		21/32" X 1-5/16" X 0.090"
7	H134856	BRACKET	1		
8	H130090	SUPPORT	1		
9	19M7786	SCREW	2	-665539	M10 X 30
10	14M7296	FLANGE NUT	2	-665539	M10

ENGINE BLOCK COOLANT HEATER
HP5231 -UN-01JAN94



⊕ WARNING

To prevent shock,
always use a grounded
3-wire extension cord

HP5231

1C4

ENGINE FAN, INTERCOOLER AND SCREENS

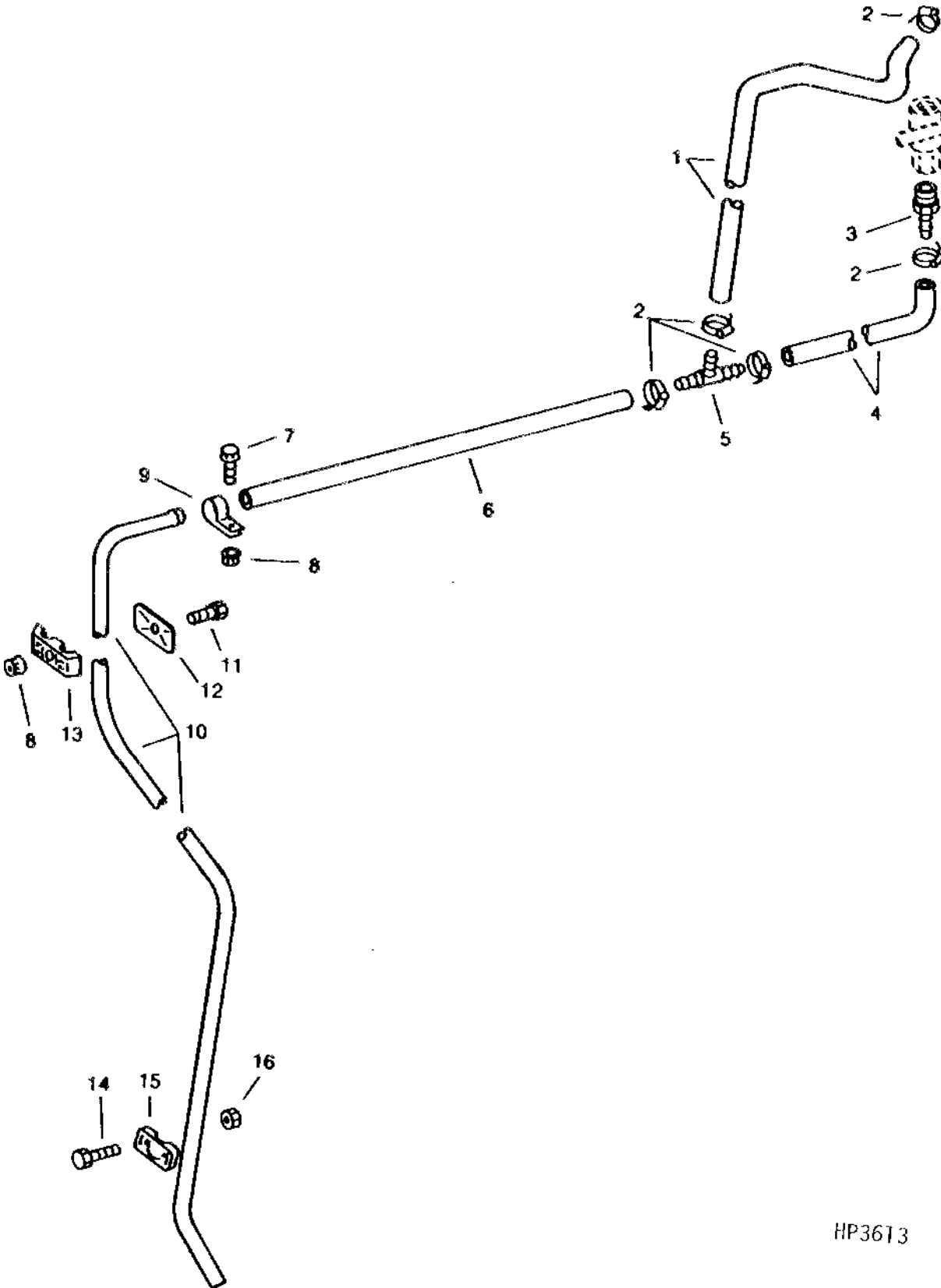
ENGINE BLOCK COOLANT HEATER AND EXTENSION CORD - CONTINUED

FC: 5432

KEY	PART NO.	PART NAME	QTY	SERIAL NO.	REMARKS
1	AT73296	POWER CORD	1		4 FOOT IN LENGTH
2	R54510	CAP	1		(SUB RE504122)
3	R54511	NUT	1		(SUB RE504122)
4	R54123	ADAPTER	1		
5	R47693	GASKET	1		
6	U13639	O-RING	1		
7	RE504122	COOLANT HEATER	1		(SUB FOR AR62399)
8	H75541	CLAMP	1		

1C5

ENGINE CRANKCASE OIL DRAIN
HP3613 -UN-01JAN94



HP3613

1C6

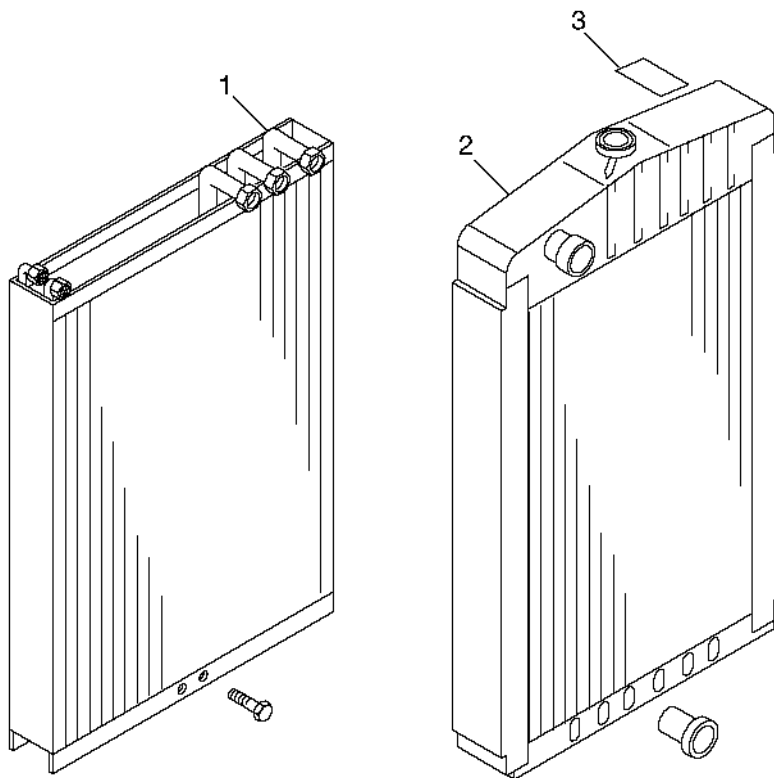
ENGINE FAN, INTERCOOLER AND SCREENS

ENGINE CRANKCASE OIL DRAIN - CONTINUED

KEY	PART NO.	PART NAME	QTY	SERIAL NO.	REMARKS
1	H130016	HOSE	1		
2	AT18904	CLAMP	5		
3	A27238	HOSE FITTING	1		
4	TY22424	HOSE	1		
5	A24915	TEE FITTING	1		
6	H114433	HOSE	1		
7	19M7867	SCREW	1		M8 X 25
8	14M7298	FLANGE NUT	1		M8
9	T70694	CLAMP	1		
10	H134389	OIL LINE	1	-640816	
	H150433	TUBE	1	640817-	(SUB FOR H145003)
11	19M7801	SCREW	1		M8 X 60
12	H112567	PLATE	2		
13	H114897	CLAMP	2		
14	03M7280	BOLT	2		M6 X 45
15	H114432	CLAMP	2		
16	14M7303	FLANGE NUT	2		M6

RADIATOR WITH OIL COOLER, A/C CONDENSER AND AIR INTER COOLER

HP9652 -UN-28MAR00



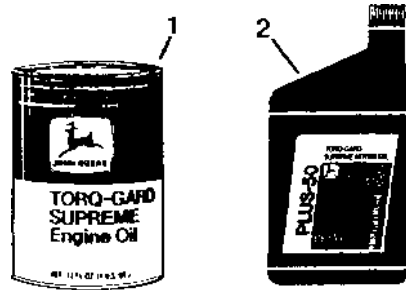
HP9652

KEY	PART NO.	PART NAME	QTY	SERIAL NO.	REMARKS
1	AH150219	OIL COOLER	1		OIL COOLER AND CONDENSER TOGETHER, (SUB FOR AH120836 OR AH136172)
2	AH137544	RADIATOR	1	-640100	SEE SECTION 030 FOR ENGINE COOLING SYSTEM, (SUB FOR AH128258)
	AH128257	RADIATOR	1	640101-	INCREASED CAPACITY-SEE SECTION 030 FOR ENGINE COOLING SYSTEM
	AH144719	RADIATOR	1	655317-	
3	H169344	DECAL	1		(SUB FOR A2913R)

1C14

6359 AND 6068 ENGINES

TORQ-GARD SUPREME AND PLUS-50 ENGINE OIL
RGP3291 -UN-01JAN94



RGP 3291

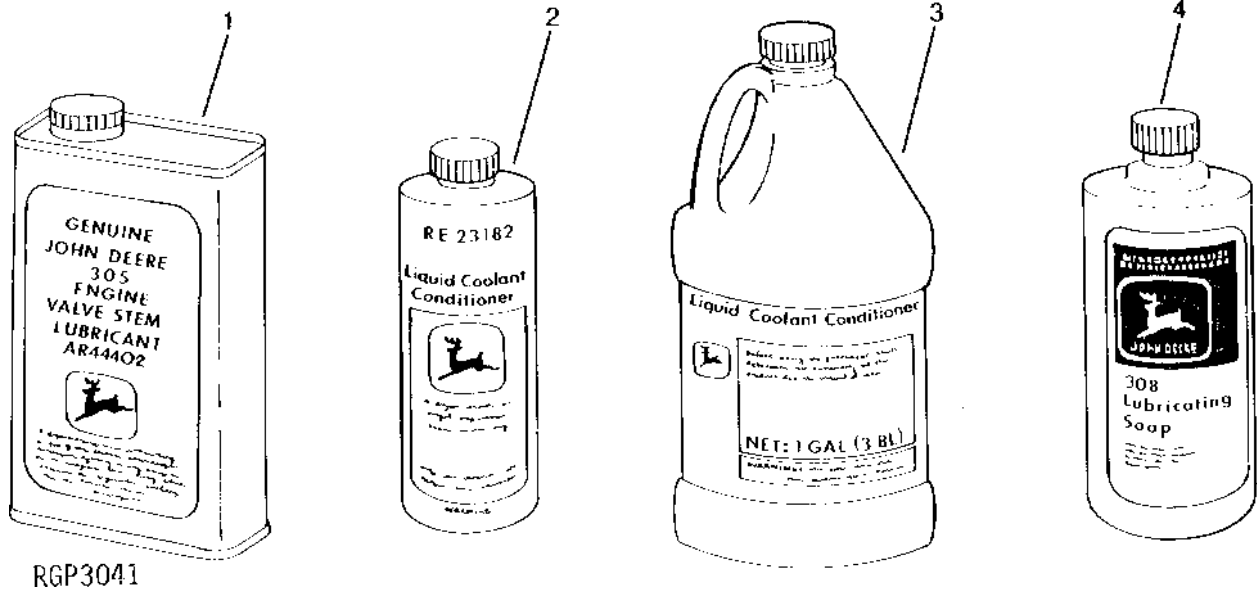
KEY	PART NO.	PART NAME	QTY	ENGINE SERIAL NO.	REMARKS
1	TY6359	OIL	1	(SAE 5W/30), 0.9 L (1 QUART) CAN	
	TY6360	OIL	1	(SAE 5W/30), 19 L (5 GALLON) CAN	
	TY6361	OIL	1	(SAE 5W/30), 208 L (55 GALLON) DRUM	
	TY6297	OIL	1	(SAE 15W/40), 0.9 L (1 QUART) CAN	
	TY6298	OIL	1	(SAE 15W/40), 19 L (5 GALLON) CAN	
	TY6300	OIL	1	(SAE 15W/40), 114 L (30 GALLON) DRUM	
	TY6301	OIL	1	(SAE 15W/40), 208 L (55 GALLON) DRUM	
	TY6311	OIL	1	(SAE 10W), 0.9 L (1 QUART) CAN	
	TY22009	OIL	1	(SAE 10), 3.8 L (1 GALLON)	
	TY6312	OIL	1	(SAE 10W), 19 L (5 GALLON) CAN	
	TY6313	OIL	1	(SAE 10W), 208 L (55 GALLON) DRUM	
	AR63979	OIL	1	(SAE 30), 0.2 L (1 HALF PINT) CAN	
	AR63218	OIL	1	(SAE 30), 0.9 L (1 QUART) CAN	
	AR63219	OIL	1	(SAE 30), 19 L (5 GALLON) CAN	
	TY6280	OIL	1	(SAE 30), 114 L (30 GALLON) DRUM	
	AR63222	OIL	1	(SAE 30), 208 L (55 GALLON) DRUM	
	2	TY6389	OIL	1	(SAE 15W/40), 0.9 L (1 QUART)
TY22008		OIL	1	(SAE 15W/40), 3.8 L (1 GALLON)	
TY6390		OIL	1	(SAE 15W/40), 19 L (5 GALLON)	
TY22010		OIL	1	(SAE 15W/40), 113.6 L (30 GALLON)	
TY6391		OIL	1	(SAE 15W/40), 208 L (55 GALLON)	
TY6392		OIL	1	(SAE 30), 0.9 L (1 QUART)	
TY22007		OIL	1	(SAE 30), 3.8 L (1 GALLON)	
TY6393		OIL	1	(SAE 30), 19 L (5 GALLON)	
TY22011		OIL	1	(SAE 30), 113.6 L (30 GALLON)	
TY6394		OIL	1	(SAE 30), 208 L (55 GALLON)	
..	AR41785	KIT	1	CONTAINS 0.9 L (1 QT.) CAN OF INTERNAL CORROSION INHIBITOR, 1 ROLL OF TAPE, AND 6 PLASTIC BAGS (OFF-SEASON STORAGE)	
..	AR41870	RUST INHIBITOR	1	0.9 L (1 QT.) CAN, (SUB AR41785)	
..	AR21969	KIT	1	(DUST CAP/COVER KIT)	

1C15

6359 AND 6068 ENGINES

COOLANT CONDITIONER AND ENGINE PART LUBRICANTS

RGP3041 -UN-01JAN94



RGP3041

KEY	PART NO.	PART NAME	QTY	ENGINE SERIAL NO.	REMARKS
1	AR44402	OIL	1		0.9 L (1 QT.)
2	RE23182	ENGINE COOLANT CONDITIONER	1		0.473 L (16 OZ.)
3	RE35992	ENGINE COOLANT CONDITIONER	1		3.8 L (1 GAL.)
4	AR54749	LUBRICANT	1		0.9 L (1 QT.)
..	TY16004	ENGINE COOLANT CONDITIONER	1		16 OZ. (NOT ILLUSTRATED)
..	TY16005	ENGINE COOLANT CONDITIONER	1		1/2 GAL. (NOT ILLUSTRATED)

1C16

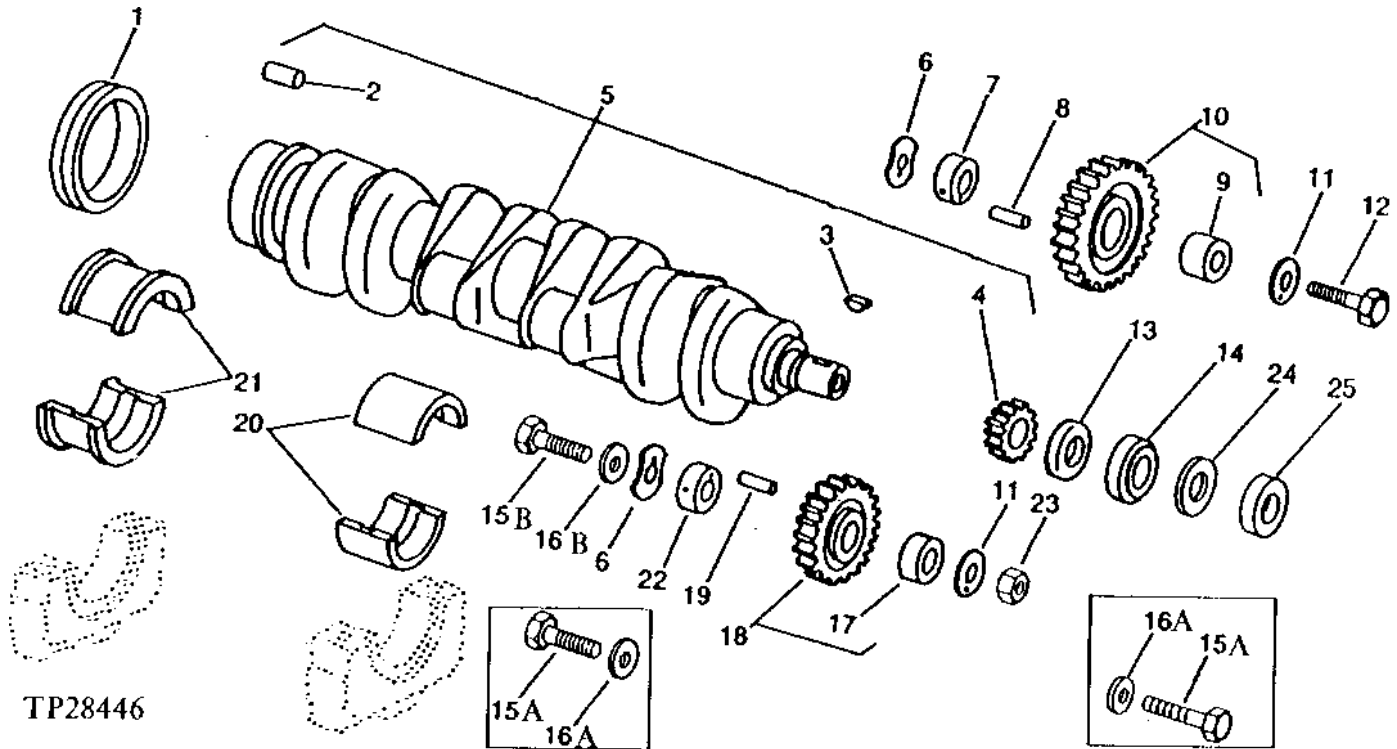
6359 AND 6068 ENGINES

CRANKSHAFT, IDLER GEAR AND MAIN BEARINGS

(6359AHO01)

(ENGINE SERIAL NO. -337245)

TP28446 -UN-01JAN94

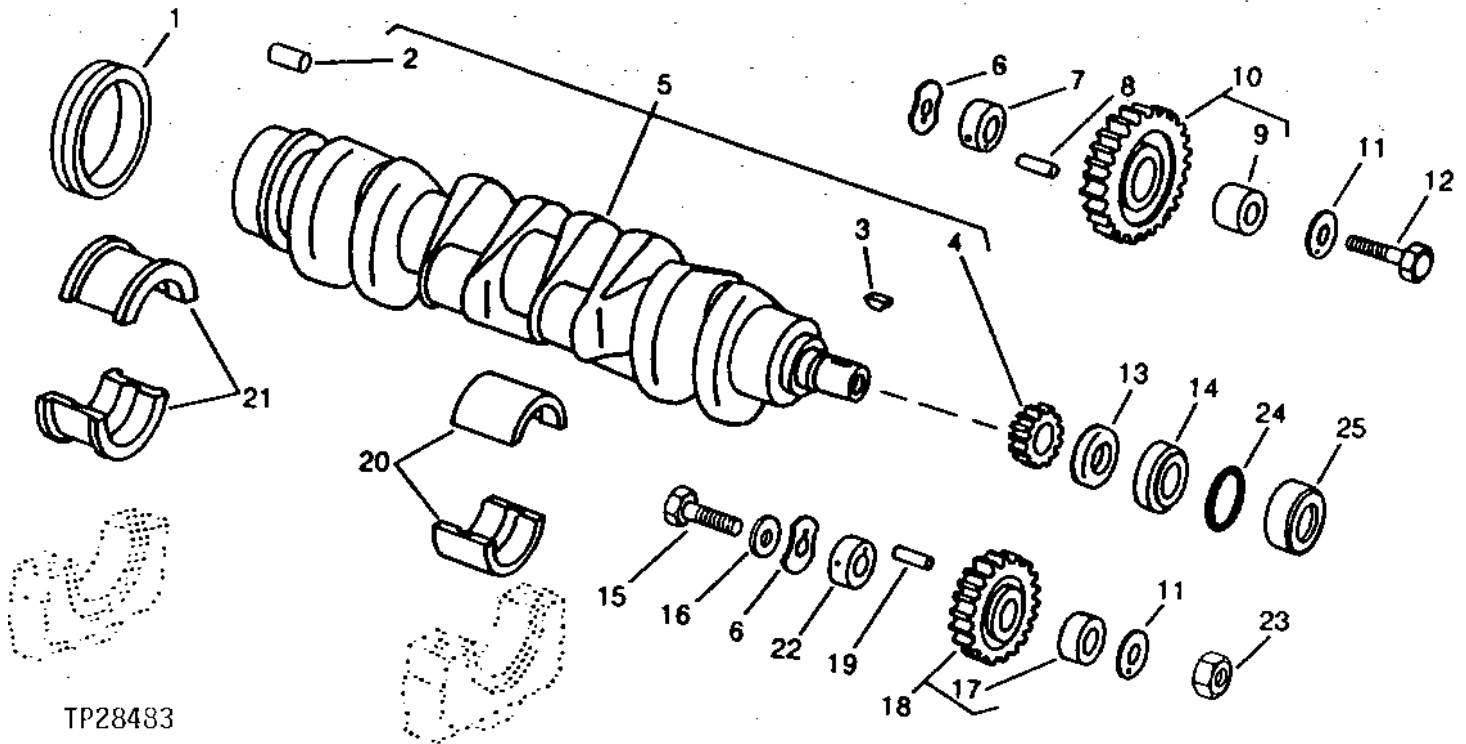


KEY	PART NO.	PART NAME	QTY	ENGINE SERIAL NO.	REMARKS
1	RE44574	SEAL	1		(SUB FOR RE24959 OR RE24959)
2	R48685	DOWEL PIN	1		(SUB FOR A120R, THIS APPLICATION)
3	26H72	SHAFT KEY	1		1/8" X 5/8"
4	T20094	GEAR	1		(24 TEETH)
5	CRANKSHAFT	1		RE45541, MARKED R108679 NO LONGER AVAILABLE, (SUB RE500950, THIS APPLICATION) (SUB FOR AT22562) (MARKED T23266) (REPLACEMENT CRANKSHAFT KIT)
.....		CRANKSHAFT	1		RE500895, MARKED R108658 NO LONGER AVAILABLE SUB RE500950 REPLACEMENT CRANKSHAFT KIT.
6	T26324	THRUST WASHER	2		
7	R89824	SHAFT	2		(SUB FOR T26323)
8	34H283	SPRING PIN	1		3/16" X 1-1/8"
9	T20034	BUSHING	1		
10	AR91660	GEAR	1		(55 TEETH) (MARKED R70182)
11	T26326	THRUST WASHER	2		
12	T26327	SCREW	1		
13	T20046	OIL SLINGER	1		
14	AR67942	SEAL	1		
15A	T26325	SCREW	2	-299999	
15B	19H3183	CAP SCREW	1	300000-	HS, SAE 8, 1/2" X 2-1/8"
16A	R76126	WASHER	2	-299999	
16B	R100105	WASHER	1	300000-	
17	T26321	BUSHING	1		

1C17

6359 AND 6068 ENGINES

CRANKSHAFT, IDLER GEARS AND MAIN BEARINGS
(6068HH001)
(ENGINE SERIAL NO. 337246-701275)
TP28483 -UN-01JAN94



TP28483

1C18

6359 AND 6068 ENGINES

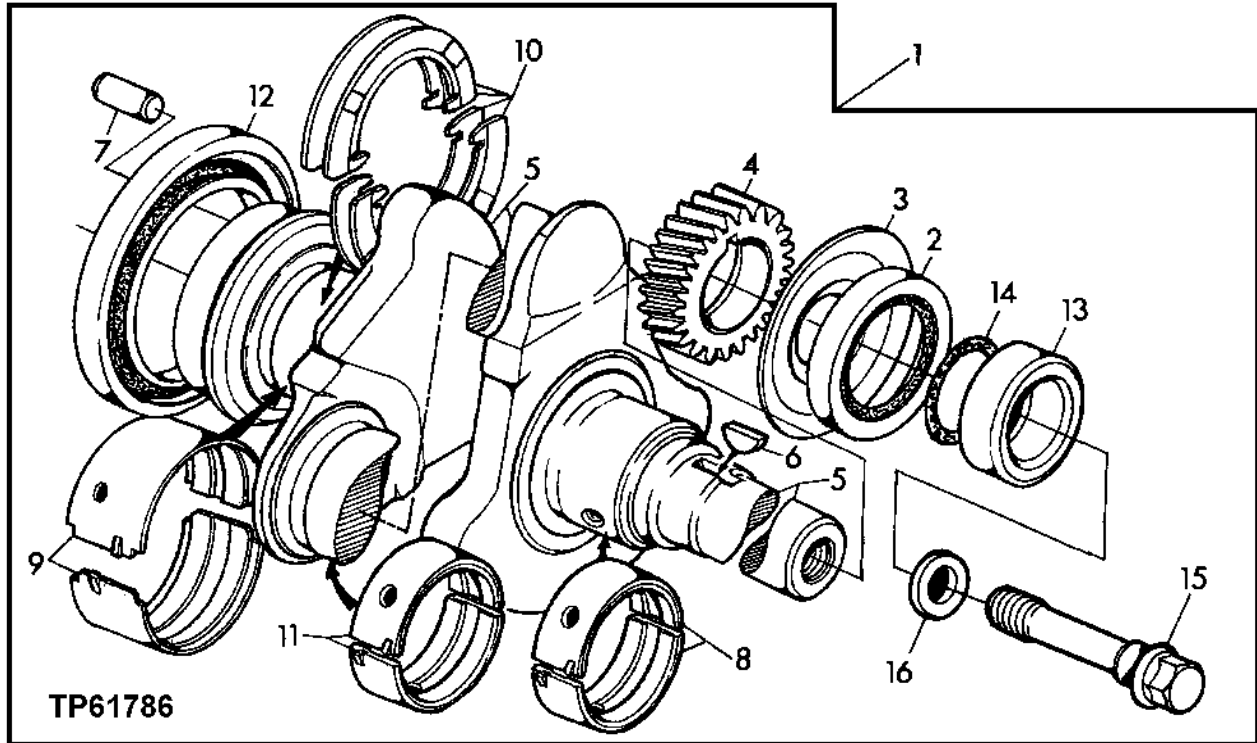
**CRANKSHAFT, IDLER GEARS AND MAIN BEARINGS
(6068HH001)
(ENGINE SERIAL NO. 337246-701275)**

KEY	PART NO.	PART NAME	QTY	ENGINE SERIAL NO.	REMARKS
1	RE44574	SEAL	1		
2	R48685	DOWEL PIN	1		
3	26H72	SHAFT KEY	1	1/8" X 5/8"	
4	T20094	GEAR	1	(24 TEETH)	
5	CRANKSHAFT	1		RE45517, MARKED R104523 NO LONGER AVAILABLE (SUB FOR RE33687, MARKED R54619) SUB RE502191 CRANKSHAFT KIT.
6	T26324	THRUST WASHER	2		
7	R89824	SHAFT	1		
8	34H283	SPRING PIN	1	3/16" X 1-1/8"	
9	T20034	BUSHING	1		
10	AR91660	GEAR	1	(55 TEETH) (MARKED R70182)	
11	T26326	THRUST WASHER	2		
12	T26327	SCREW	1		
13	T20046	OIL SLINGER	1		
14	AR67942	SEAL	1		
15	19H3183	CAP SCREW	1	HS, SAE 8, 1/2" X 2-1/8"	
16	R100105	WASHER	1		
17	T26321	BUSHING	1		
18	AT24252	GEAR	1	(45 TEETH) (MARKED T26322)	
19	34H286	SPRING PIN	1	3/16" X 1-1/2"	
20	AT21140	BEARING	6	STANDARD	
	AT21108	BEARING	6	0.05 MM (.002") UNDERSIZE	
	AT21110	BEARING	6	0.25 MM (.010") UNDERSIZE	
	AT21112	BEARING	6	0.51 MM (.020") UNDERSIZE	
	AT21114	BEARING	6	0.76 MM (.030") UNDERSIZE	
21	AT21139	BEARING	1	STANDARD	
	AT21130	BEARING	1	0.05 MM (.002") UNDERSIZE	
	AT21132	BEARING	1	0.25 MM (.010") UNDERSIZE	
	AT21134	BEARING	1	0.51 MM (.020") UNDERSIZE	
	AT21136	BEARING	1	0.76 MM (.030") UNDERSIZE	
22	R89824	SHAFT	1		
23	E69392	NUT	1		
24	H35244	RING	1		
25	R81989	SLEEVE	1		

1C20

6359 AND 6068 ENGINES

REPLACEMENT CRANKSHAFT AND CRANKSHAFT BEARINGS KIT
 (6068 HH001)
 (ENGINE SERIAL NO.337246-701275)
 TP61786 -UN-23NOV98



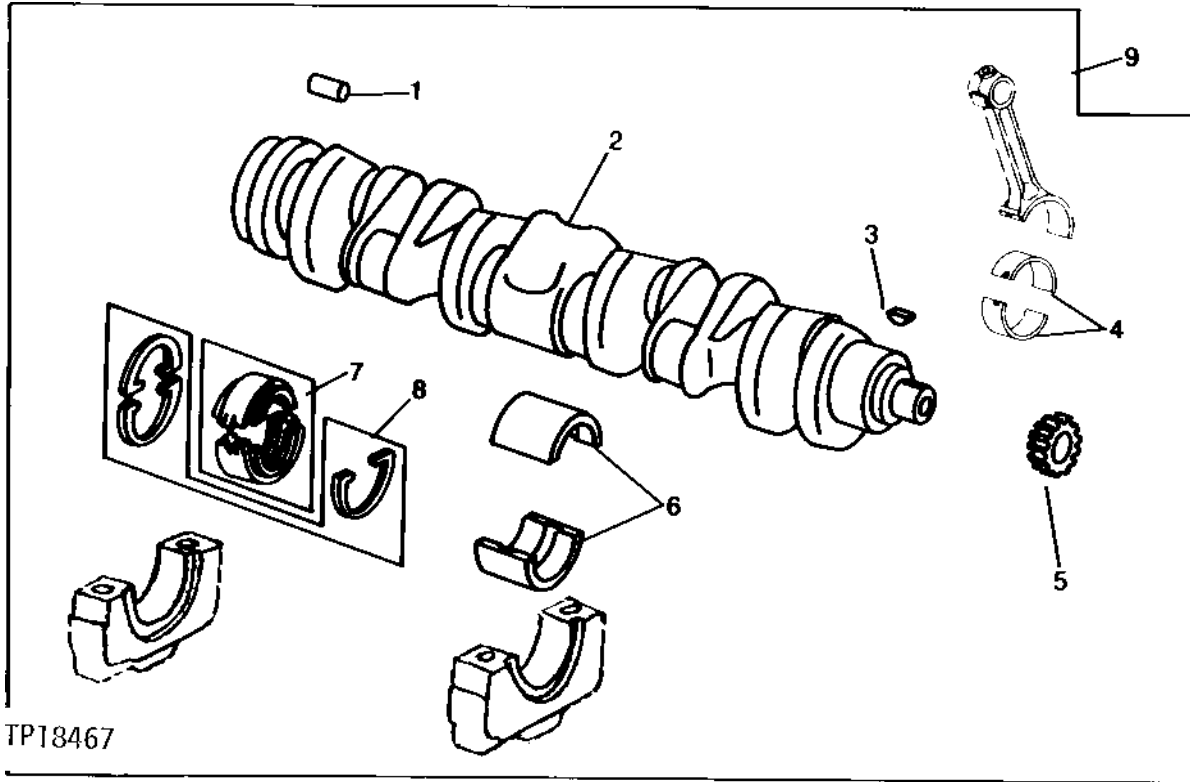
KEY	PART NO.	PART NAME	QTY	ENGINE SERIAL NO.	REMARKS
1	RE502191	CRANKSHAFT	1		KIT
2	AR67942	SEAL	1		FRONT
3	T20046	OIL SLINGER	1		
4	T20094	GEAR	1		
5	CRANKSHAFT	1		MARKED R121027
6	26H72	SHAFT KEY	1		1/8" X 5/8"
7	R48685	DOWEL PIN	1		
8	AT21140	BEARING	6		
9	AT21139	BEARING	1		
10	RE13571	KIT	1		
11	RE47867	BEARING	6		
12	RE44574	SEAL	1		REAR
13	R81989	SLEEVE	1		
14	H35244	O-RING	1		
15	R85363	CAP SCREW	1		
16	R109086	SPACER	1		

1C21

6359 AND 6068 ENGINES

**UNDERSIZE CRANKSHAFT AND BEARING KIT
(6359AH001)**

(ENGINE SERIAL NO. -337245)
TP18467 -UN-12SEP94



TP18467

KEY	PART NO.	PART NAME	QTY	ENGINE SERIAL NO.	REMARKS
1	R48685	DOWEL PIN	1		(SUB FOR A120R)
2	CRANKSHAFT	1		0.25 MM (.010") UNDERSIZE, (MARKED T23266) (SUB RE26205)
3	26H72	SHAFT KEY	1		1/8" X 5/8"
4	AR76129	BEARING	6		0.25 MM (.010") UNDERSIZE (SET OF (2) R62073)
5	T20094	GEAR	1		(24 TEETH)
6	AT21110	BEARING	6		0.25 MM (.010") UNDERSIZE (SET OF (2) T23554)
7	AR81788	BEARING	1		0.25 MM (.010") UNDERSIZE (SET OF (2) R64848)
8	BEARING KIT	1		(RE13571 NO LONGER AVAILABLE, SUB.(3) R78598)
	R78598	THRUST WASHER	3		
9	RE26205	KIT	1		

1C22

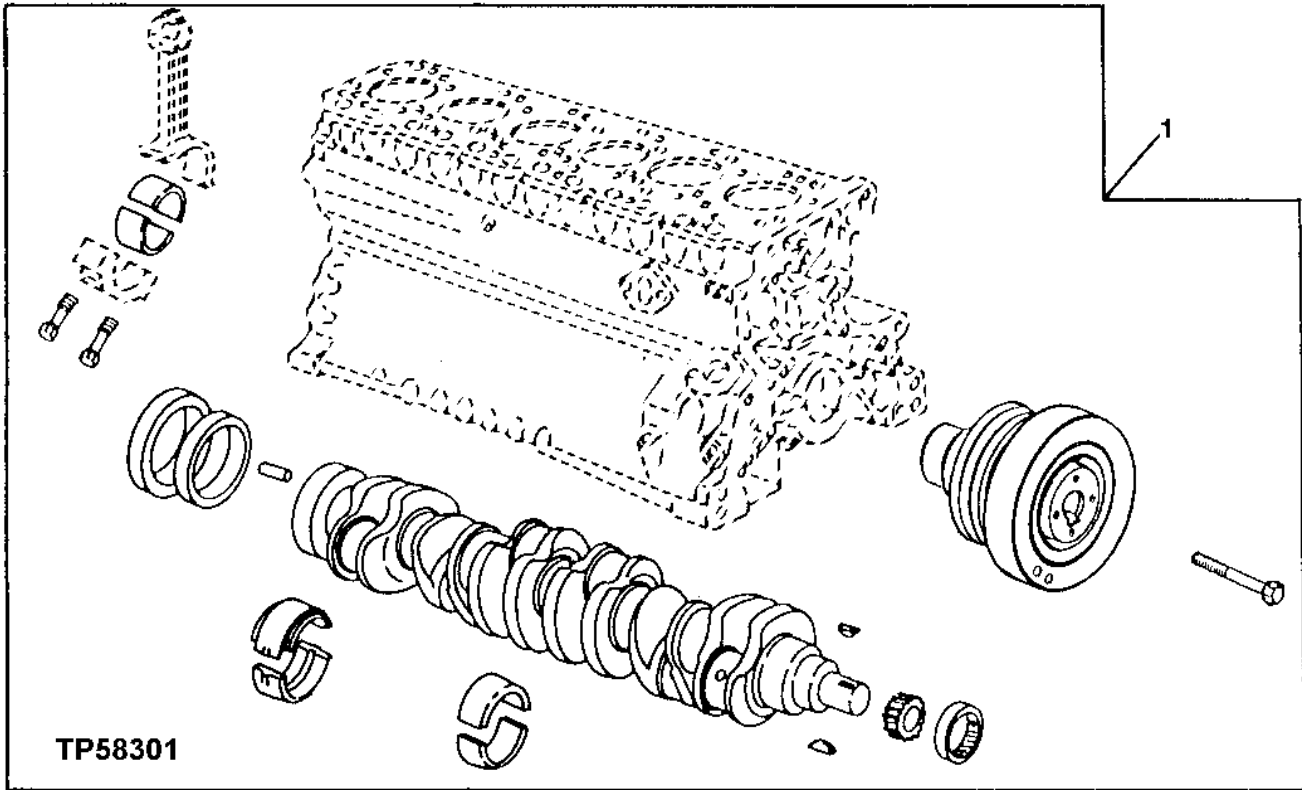
6359 AND 6068 ENGINES

REPLACEMENT CRANKSHAFT AND DAMPENER KIT

(6359AH001)

(ENGINE SERIAL NO. -337245)

TP58301 -UN-11MAY98

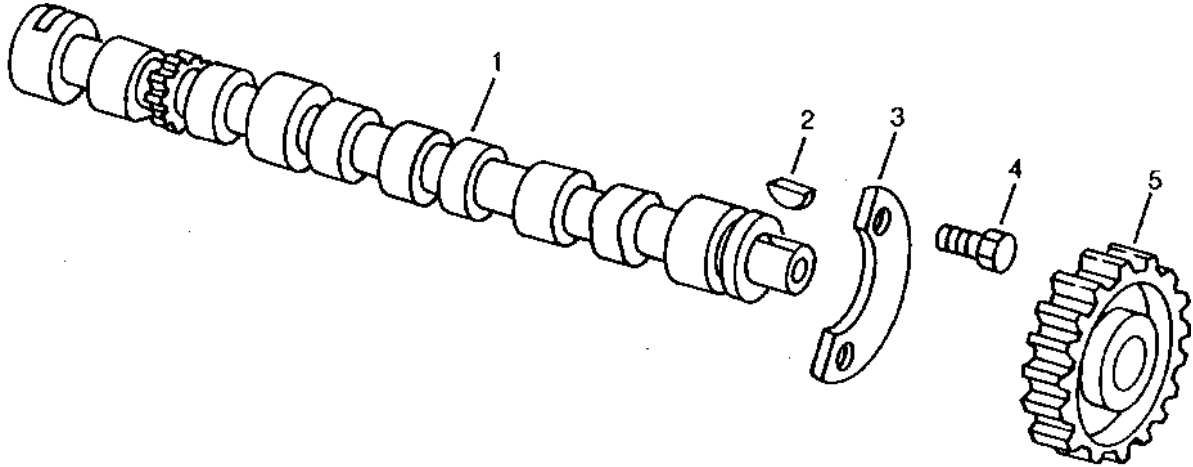


KEY	PART NO.	PART NAME	QTY	ENGINE SERIAL NO.	REMARKS
1	RE500950	KIT	1		(ALSO CONTAINS GASKETS, O-RINGS, SEALS, AND MISCELLANEOUS HARDWARE NOT ILLUSTRATED)

1C23

6359 AND 6068 ENGINES

CAMSHAFT AND CAMSHAFT GEAR
(6359AH001)(ENGINE SERIAL NO. -337245)
(6068HH001)(ENGINE SERIAL NO.337246-701275)
TP23624 -UN-01JAN94



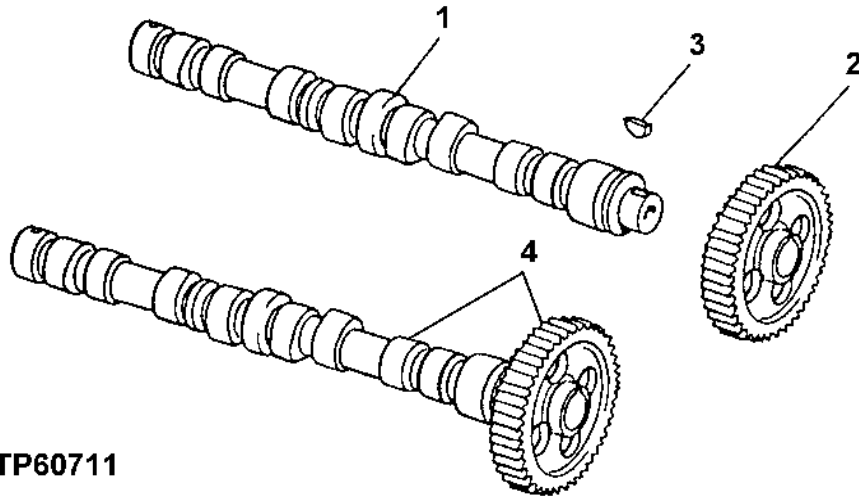
TP23624

KEY	PART NO.	PART NAME	QTY	ENGINE SERIAL NO.	REMARKS
1	R82821	CAMSHAFT	1		
2	T28041	SHAFT KEY	1		
3	T20072	PLATE	1		THRUST
4	19H2676	CAP SCREW	2		3/8" X 1"
5	T20070	GEAR	1		(48 TEETH)

1C24

6359 AND 6068 ENGINES

CAMSHAFT AND CAMSHAFT GEAR
(6068HH050)
(ENGINE SERIAL NO.701276-)
 TP60711 -UN-17JUN98



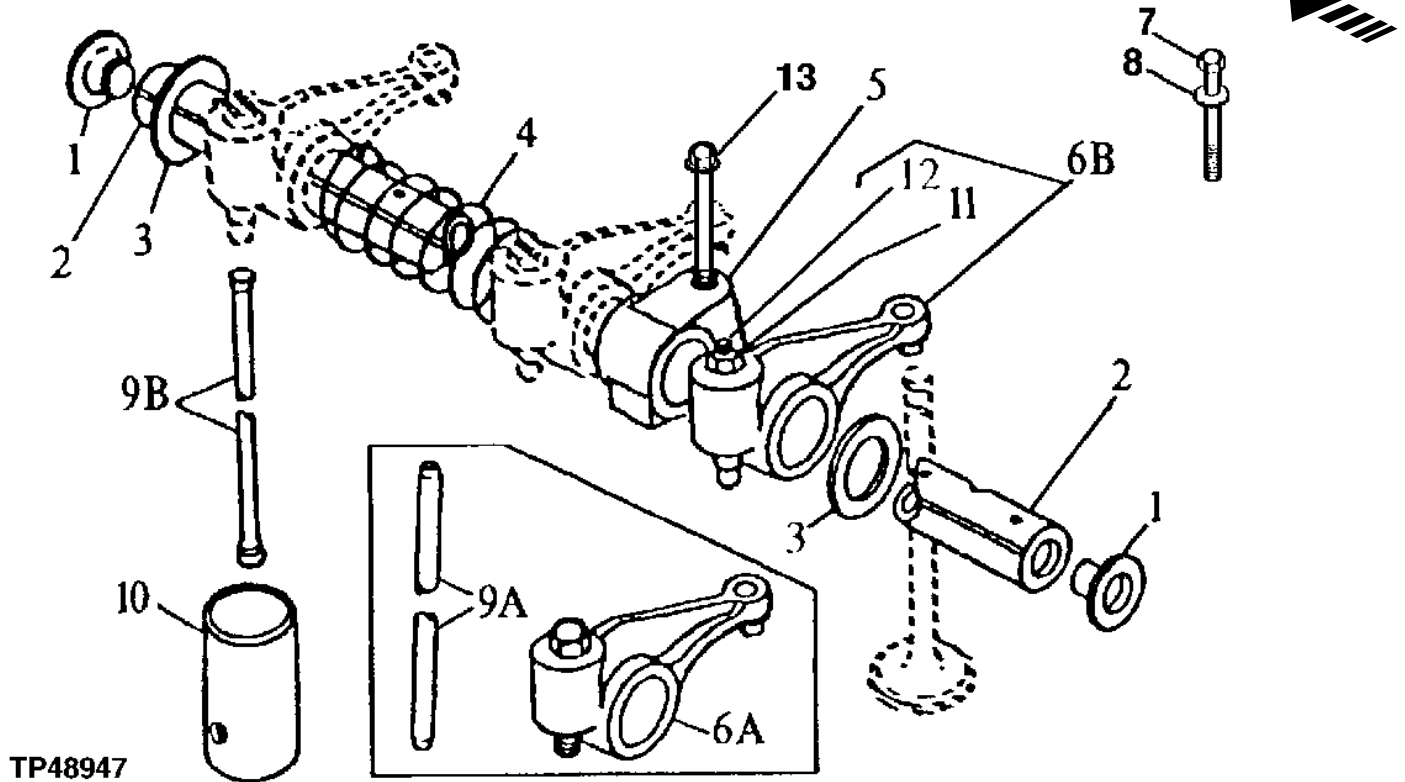
TP60711

KEY	PART NO.	PART NAME	QTY	ENGINE SERIAL NO.	REMARKS
1	CAMSHAFT	1		(R133811 AND R135440 NO LONGER AVAILABLE)
2	GEAR	1		(60 TEETH) (R133812 NO LONGER AVAILABLE)
3	SHAFT KEY	1		(R133303 NO LONGER AVAILABLE)
4	RE56578	CAMSHAFT	1		(WITH GEAR AND KEY) (MARKED R135440)

1C25

6359 AND 6068 ENGINES

ROCKER ARM SHAFT, PUSH RODS AND ROCKER ARMS
 (6359AH001)(ENGINE SERIAL NO. -337245)
 (6068HH001)(ENGINE SERIAL NO.337246-701275)
 TP48947 -UN-22DEC95



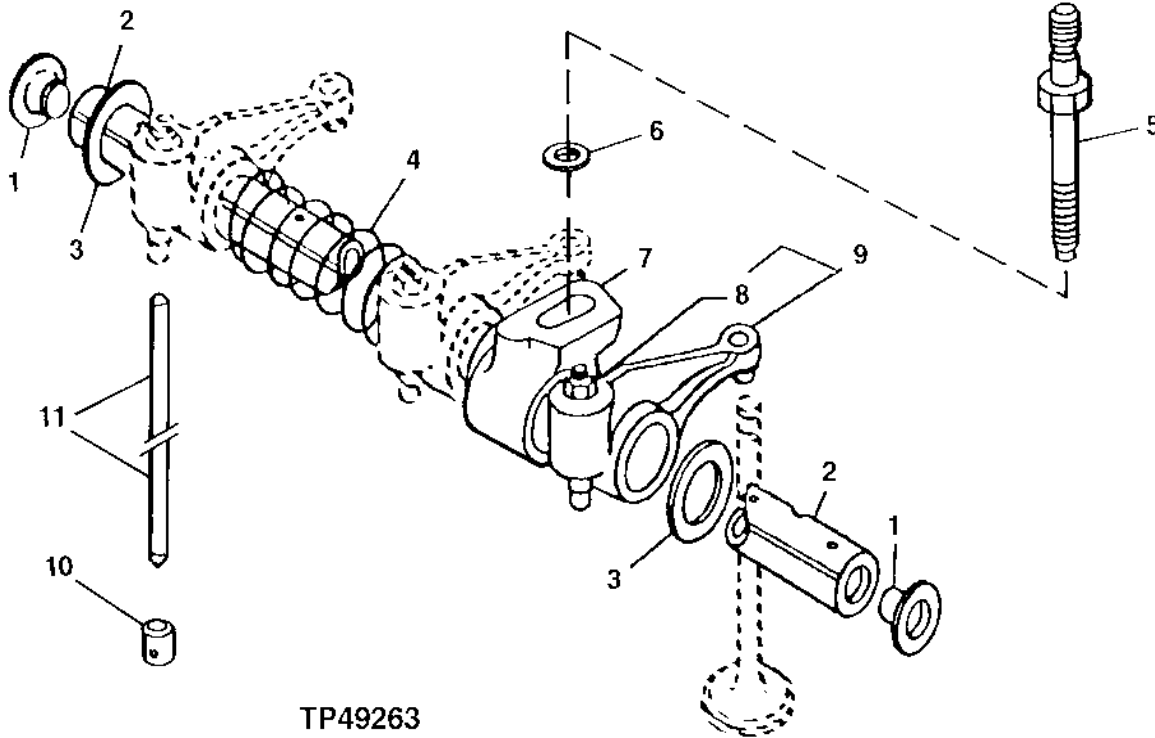
TP48947

KEY	PART NO.	PART NAME	QTY	ENGINE SERIAL NO.	REMARKS
1	R54565	PLUG	2		
2	R54986	SHAFT	1		
3	T20316	WASHER	2		
4	T20314	SPRING	5		
5	T20315	SUPPORT	6		
6A	RE31973	ROCKER ARM	12	-379968	(SUB FOR RE19031)
6B	RE62148	ROCKER ARM	12	379969-	(SUB FOR RE43384)
7	19H3031	CAP SCREW	6		3/8" X 2-1/2"
8	R42729	WASHER	6		
9A	R82896	PUSH ROD	12	-379968	(6359)
	R83429	PUSH ROD	12	-379968	(6068)
9B	R107732	PUSH ROD	12	379969-	(6359)
	R107731	PUSH ROD	12	379969-	(6068)
10	T20073	TAPPET	12		
11	R125881	LOCK NUT	12	379969-	(SUB FOR R119314)
12	R125880	SCREW	12	379969-	(SUB FOR R106116)
13	19H3733	CAP SCREW	6		3/8" X 2-1/2"

1D1

6359 AND 6068 ENGINES

ROCKER ARM SHAFT, PUSH RODS AND ROCKER ARMS
(6068HH050)(ENGINE SERIAL NO.701276-)
 TP49263 -UN-20JUN95



TP49263

KEY	PART NO.	PART NAME	QTY	ENGINE SERIAL NO.	REMARKS
1	R54565	PLUG	2		
2	R123514	ROCKER ARM SHAFT	1		
3	T20316	WASHER	2		
4	T20314	SPRING	5		
5	R123271	STUD	6		
6	R42729	WASHER	6		
7	R123161	SUPPORT	6		
8	14M7148	NUT	1	M10	
9	RE68695	ROCKER ARM	12		
10	R123565	CAM FOLLOWER	12		
11	R107731	PUSH ROD	12		

ROCKER ARM COVER

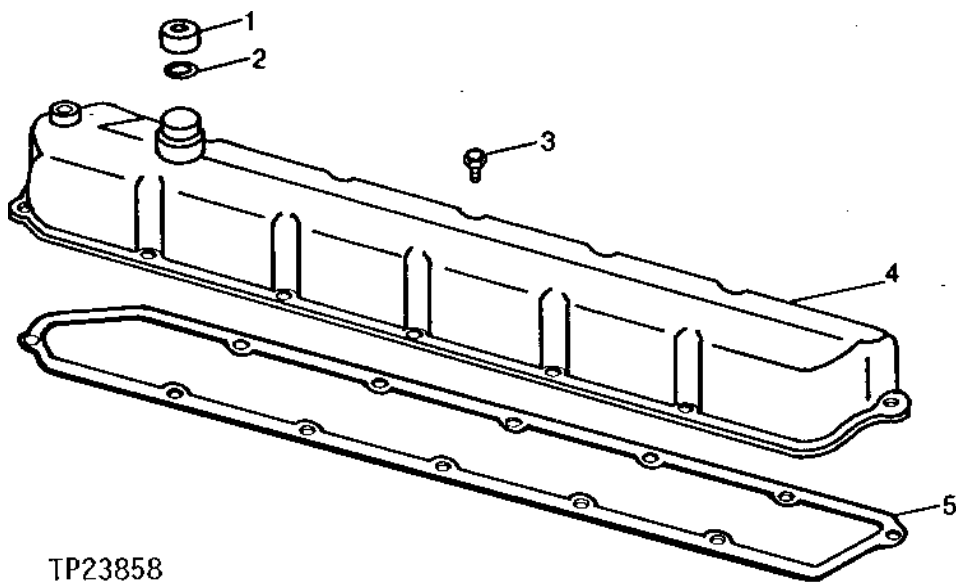
(6359AH001)

(ENGINE SERIAL NO.

-337245)

TP23858

-UN-01JAN94



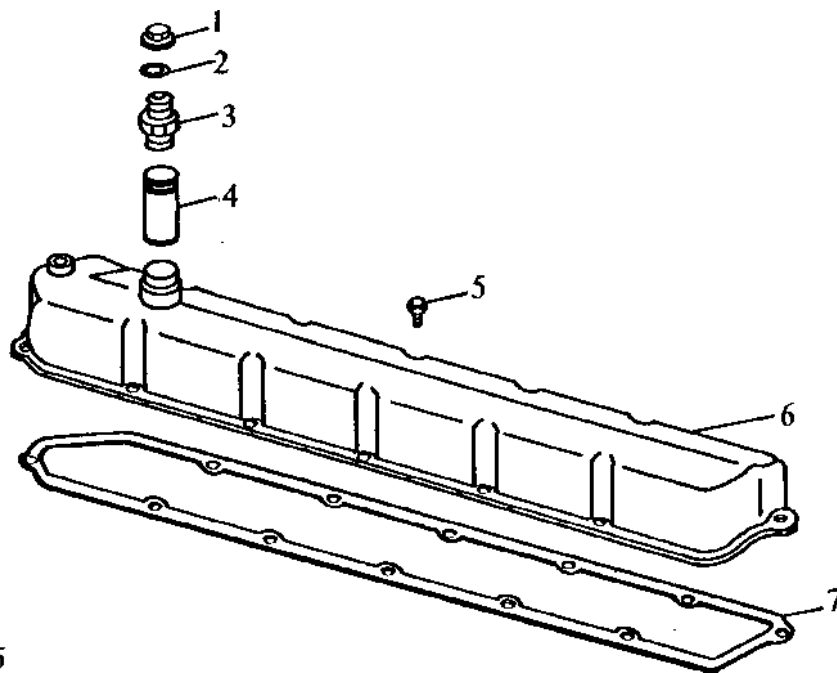
TP23858

KEY	PART NO.	PART NAME	QTY	ENGINE SERIAL NO.	REMARKS
1	T20294	CAP	1		
2	T20328	GASKET	1		
3	AR103811	SCREW, WITH WASHER	12		(SUB FOR AR100124)
4	AT18188	VALVE COVER	1		
5	R75728	GASKET	1		

1D3

6359 AND 6068 ENGINES

ROCKER ARM COVER
(6068HHOO1)
(ENGINE SERIAL NO. 337246-701275)
 TP40495 -UN-26OCT94



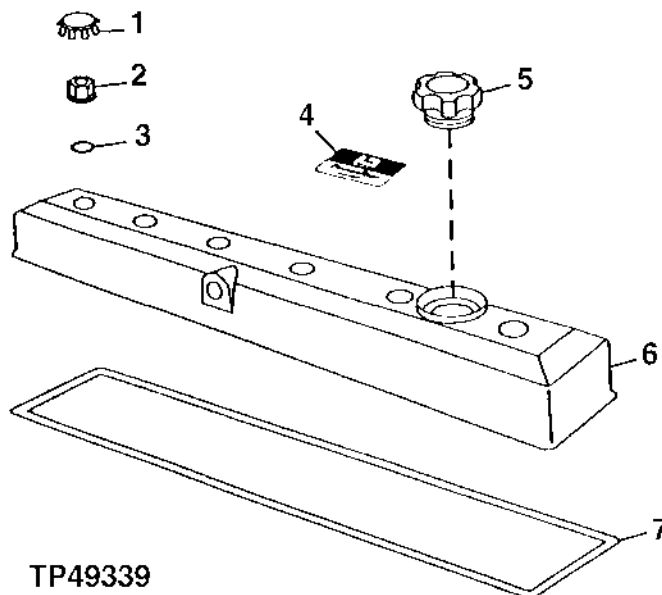
TP40495

KEY	PART NO.	PART NAME	QTY	ENGINE SERIAL NO.	REMARKS
1	T20294	CAP	1		
2	T20328	GASKET	1		
3	R50354	THREADED NIPPLE	1		
4	H145505	TUBE	1		
5	AR103811	SCREW, WITH WASHER	12		(SUB FOR AR100124)
6	AT18188	VALVE COVER	1		
7	R75728	GASKET	1		

1D4

6359 AND 6068 ENGINES

ROCKER ARM COVER
 (6068HH050)
 (ENGINE SERIAL NO.701726-)
 TP49339 -UN-18JAN96



TP49339

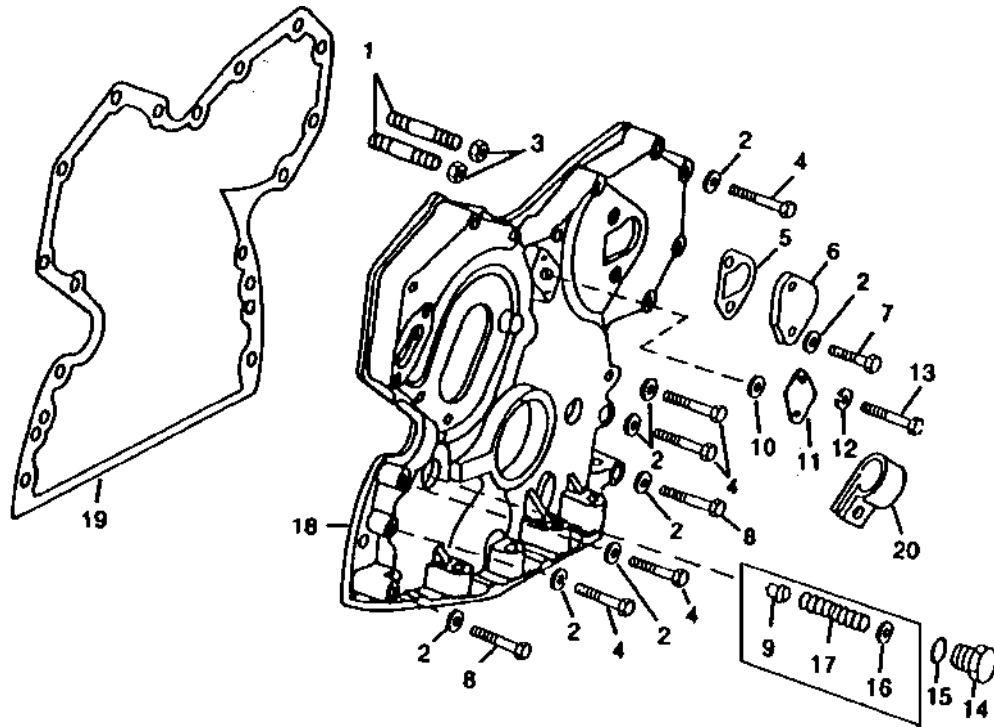
KEY	PART NO.	PART NAME	QTY	ENGINE SERIAL NO.	REMARKS
1	H23125	PLUG	6		
2	R123574	NUT	6		
3	R123575	O-RING	6		
4	R121674	MEDALLION	1		
5	RE59801	PLUG	1		ENGINE OIL FILL
6	RE502987	COVER	1		(SUB FOR RE69372 AND RE70400)
7	R123543	GASKET	1		

1D5

6359 AND 6068 ENGINES

TIMING GEAR COVER

(6359AH001)(ENGINE SERIAL NO. -337245)
 (6068HH001)(ENGINE SERIAL NO.337246 701275)
 TP40496 -UN-26OCT94



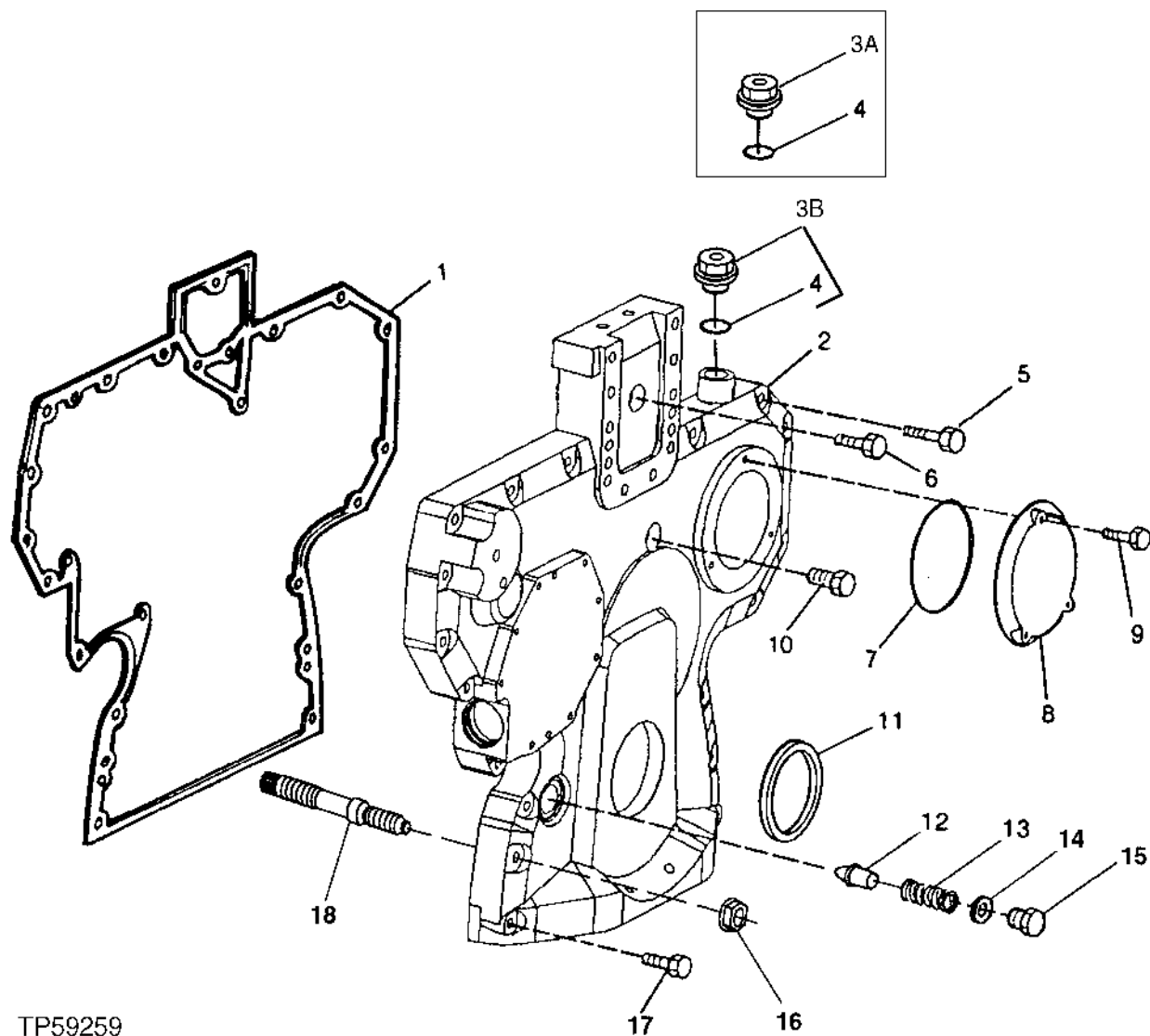
TP40496

KEY	PART NO.	PART NAME	QTY	ENGINE SERIAL NO.	REMARKS
1	R122226	STUD	2		(SUB FOR R122226)
2	24M7106	WASHER	AR		10 X 18 X 2.500 MM
3	N10215	LOCK NUT	2		3/8", (SUB FOR 14H812, THIS APPLICATION)
4	19H3408	CAP SCREW	9		3/8" X 1-3/4"
5	R125066	GASKET	1		(SUB FOR R78366 OR R97773)
6	R126041	COVER	1		(SUB FOR T20362)
7	R124277	CAP SCREW	2		(SUB FOR R122618, THIS APPLICATION) (W/ R126041)
	19H3733	CAP SCREW	2		3/8" X 2-1/2"
8	19H3065	CAP SCREW	1		3/8" X 2"
9	R83169	VALVE	1	-337245	(6359) OIL PRESSURE RELIEF
10	R47154	O-RING	1		
11	R67769	COVER	1		
12	12H302	LOCK WASHER	2		1/4", (USE WITH 19H1948)
13	19H1948	CAP SCREW	2		1/4" X 3/4"
14	T27657	FITTING PLUG	1		
15	A4827R	WASHER	1		
16	24H1290	WASHER	AR	-337245	21/64" X 3/4" X 0.035", (6359)
17	T27658	SPRING	1	-337245	(6359)
18	RE30685	COVER	1		
19	R121314	GASKET	1		(SUB FOR T20155 OR R97454 OR R119269)
20	T19935	CLAMP	2		

1D6

6359 AND 6068 ENGINES

TIMING GEAR COVER
(6068HH050)(ENGINE SERIAL NO.701276-)
TP59259 -UN-08MAY98



1D7

6359 AND 6068 ENGINES

TIMING GEAR COVER
(6068HH050)(ENGINE SERIAL NO.701276-)

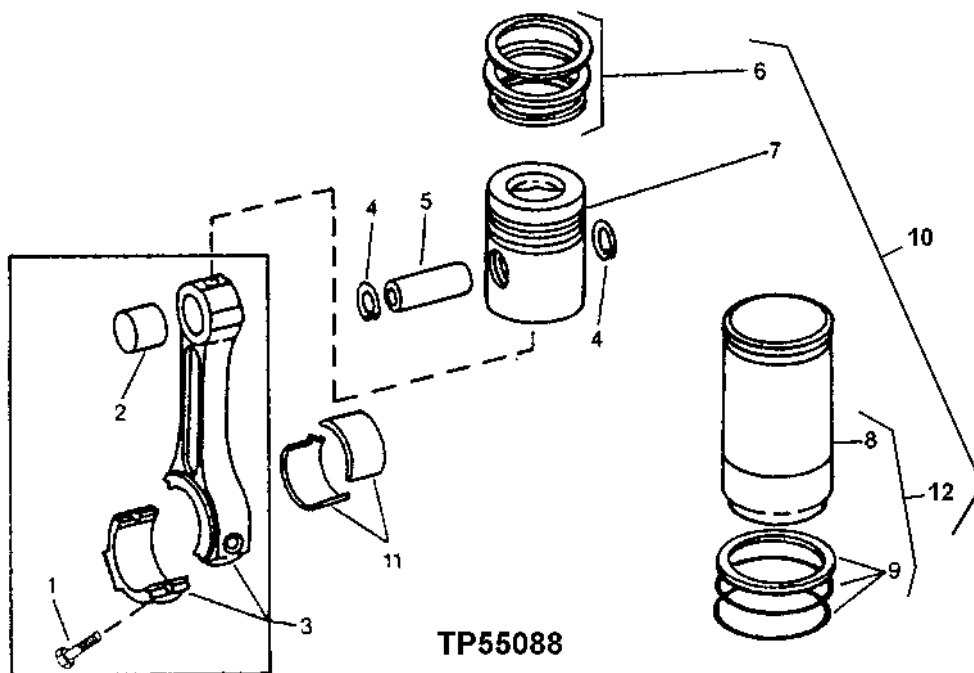
KEY	PART NO.	PART NAME	QTY	ENGINE SERIAL NO.	REMARKS
1	R136516	GASKET	1		(SUB FOR R134534)
2	R134531	COVER	1		
3A	R101085	PLUG	1		(SUB RE501938, THIS APPLICATION) (WITHOUT TACHOMETER)
3B	RE501938	PLUG	1		(WITHOUT TACHOMETER)
4	51M7044	O-RING	1		17.300 X 2.200 MM
5	19M8317	SCREW	6		M8 X 40
	19M7801	SCREW	1		M8 X 60
	19M7867	SCREW	1		M8 X 25
	RE67239	SCREW	1		
6	19M8291	SCREW	1		M8 X 35
7	R121424	O-RING	1		
8	R121411	COVER	1		
9	19M7775	SCREW	3		M6 X 16
10	19M7801	SCREW	1		M8 X 60
11	RE59810	SEAL	1		
12	R83169	VALVE	1		
13	T27658	SPRING	1		
14	A4827R	WASHER	1		
15	R91692	PLUG	1		OIL PRESSURE REGULATING
16	14M7296	FLANGE NUT	6		M10
17	19M7979	SCREW	2		M8 X 55
18	R123584	STUD	6		

CONNECTING ROD, PISTON, RINGS AND LINER

(6359AH001)

(ENGINE SERIAL NO. -337245)

TP55088 -UN-17APR97



KEY	PART NO.	PART NAME	QTY	ENGINE SERIAL NO.	REMARKS
1	R80033	SCREW	12		
2	R57451	BUSHING	6		
3	CONNECTING ROD	6		(RE16494 USE IF AVAILBLE) (MARKED R80032)
	RE42733	CONNECTING ROD	6		(MARKED R80032 OR R113612) (SUB FOR RE16494)
4	R54114	SNAP RING	12		
5	R56188	PISTON PIN	12		
6	RE66820	PISTON RING KIT	6		(SUB FOR (6) RE15674 OR RE48818)
7	PISTON	6		WITH INSERT (USE IF AVAILABLE) (WHEN RE19278 IS NO LONGER AVAILABLE, SUB RE33115)
8	R116281	CYLINDER LINER	6		(SUB FOR R90059) (SUB RE500023) (ALSO USE AR54749 LUBRICANT FOR CYLINDER LINER PACKING INSTALLATION)
9	AR65507	O-RING KIT	6		
10	RE33115	KIT	6		
11	AR71080	BEARING	6		(SET OF (2) R58980)
	BEARING	6		(AR76128 NO LONGER AVAILABLE) .05 MM (.002") UNDERSIZE (SET OF (2) R62072)
	AR76129	BEARING	6		.25 MM (010") UNDERSIZE (SET OF (2) R62073)
	AR76130	BEARING	6		.51 MM (020") UNDERSIZE (SET OF (2) R62074)
	AR76131	BEARING	6		.76 MM (030") UNDERSIZE (SET OF (2) R62075)
12	RE500023	KIT	6		

1D9

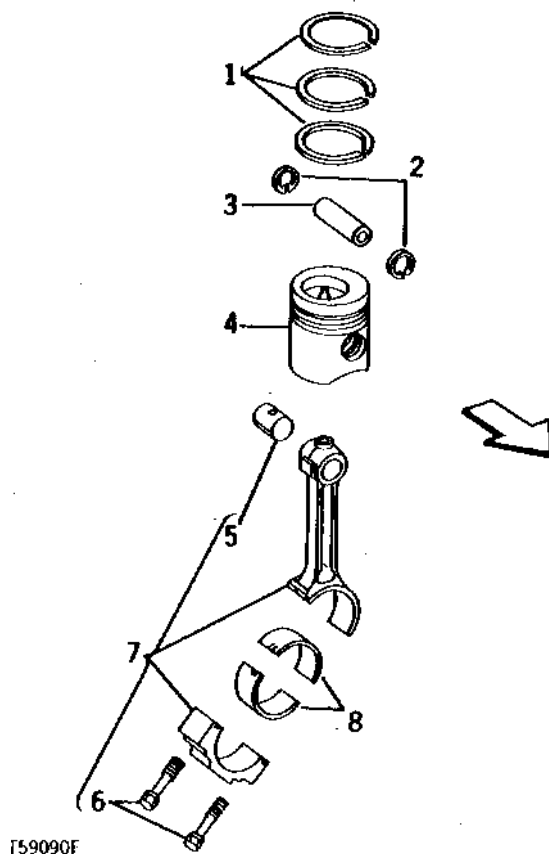
6359 AND 6068 ENGINES

PISTON, PISTON RINGS AND CONNECTING ROD

(6068HH001)

(ENGINE SERIAL NO. 337246-)

T59090 -UN-01JAN94

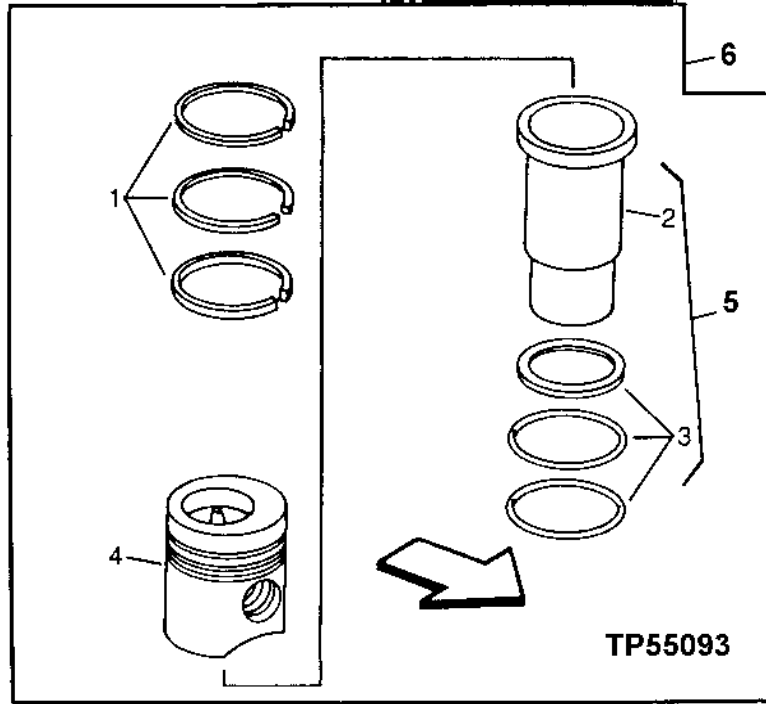


KEY	PART NO.	PART NAME	QTY	ENGINE SERIAL NO.	REMARKS
1	RE66820	PISTON RING KIT	6		(SET OF THREE RINGS) (SUB FOR RE48818)
2	R54114	SNAP RING	12		
3	R56188	PISTON PIN	6		
4	PISTON	6		(USE IF AVAILABLE) (WHEN RE48395 IS NO LONGER AVAILABLE, SUB RE53073)
5	R57451	BUSHING	6		
6	R74195	SCREW	12		
7	AR66400	CONNECTING ROD	6		
8	AR97517	BEARING	6		STANDARD, (SET OF (2) R72745)

1D10

6359 AND 6068 ENGINES

CYLINDER LINER KIT
 (6068HH001)
 (ENGINE SERIAL NO. 337246-)
 TP55093 -UN-05MAY97

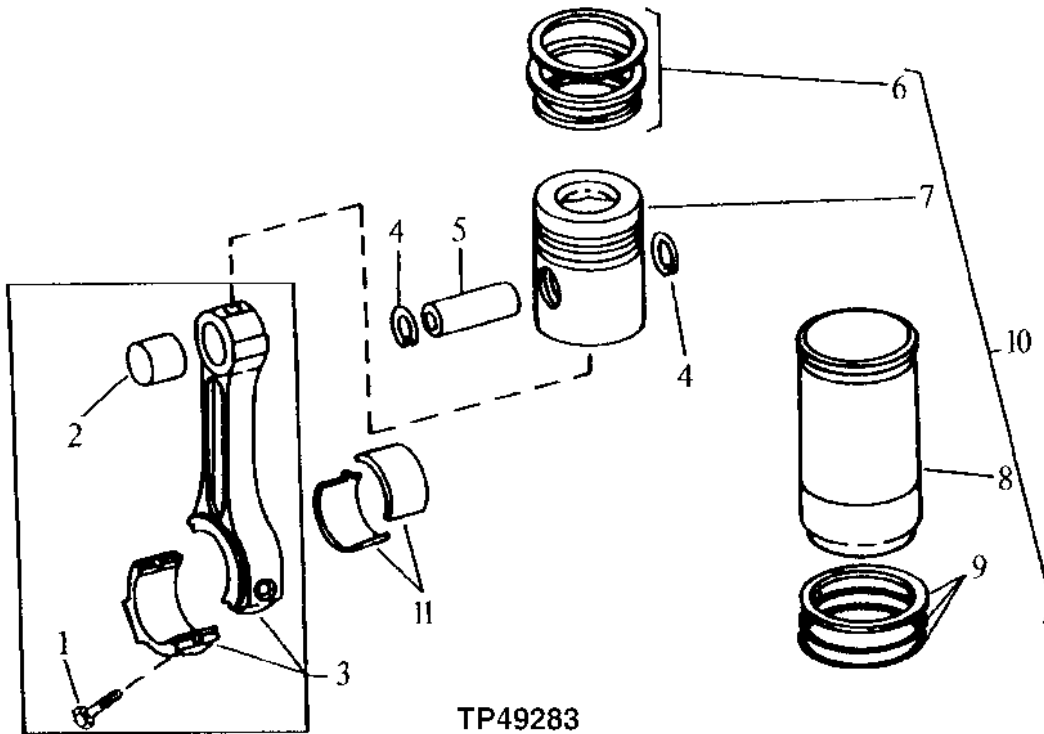


KEY	PART NO.	PART NAME	QTY	ENGINE SERIAL NO.	REMARKS
1	RE66820	PISTON RING KIT	1		(SUB FOR RE15674 OR RE48818)
2	R121867	CYLINDER LINER	1		(SUB FOR R80500) (SUB RE500024)
3	AR65507	O-RING KIT	1		CYLINDER LINER O-RING
4	PISTON	1		(USE IF AVAILABLE) (WHEN RE48395 IS NO LONGER AVAILABLE, SUB RE53073)
5	RE500024	CYLINDER LINER	1		
6	RE53073	KIT	1		(SUB FOR RE48510)

1D11

6359 AND 6068 ENGINES

CONNECTING ROD,BEARINGS AND PISTON
(6068HH050)
(ENGINE SERIAL NO.701726-)
TP49283 -UN-17JUL95

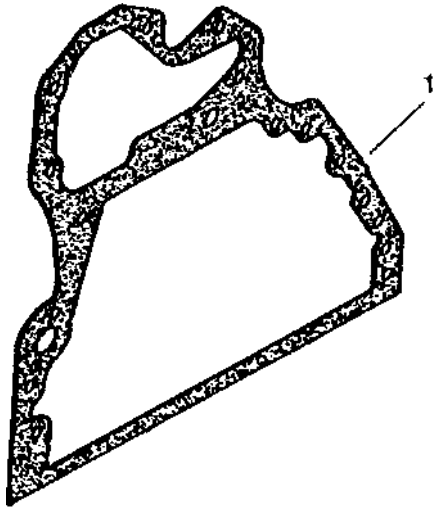


KEY	PART NO.	PART NAME	QTY	ENGINE SERIAL NO.	REMARKS
1	R501124	SCREW	12		(SUB FOR R114083 AND R500500)
2	R114082	BUSHING	12		(SUB FOR R130602)
3	RE50770	CONNECTING ROD	6	-XXXXXX	(MARKED R114081) (SUB R500608)
	RE500608	CONNECTING ROD	6	XXXXXX-	(MARKED R500335)
4	R54114	SNAP RING	12		
5	R123177	PISTON PIN	6		
6	RE66820	PISTON RING KIT	6		
7	PISTON	6		
8	CYLINDER LINER	6		
9	AR65507	O-RING KIT	6		CYLINDER LINER
10	RE65969	PISTON-LINER KIT	6		PISTON WITH LINER
11	RE65908	BEARING	6		STANDARD
	RE65909	BEARING	6		.010" UNDERSIZE

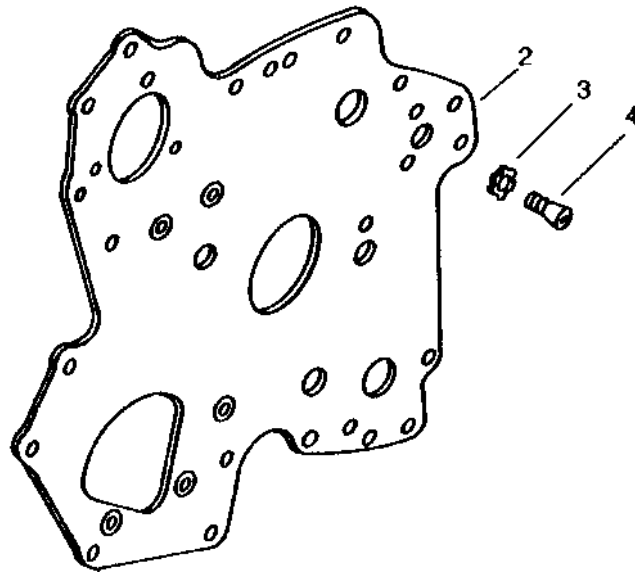
1D12

6359 AND 6068 ENGINES

ENGINE FRONT PLATE
 (ENGINE SERIAL NO. -299999)
 TP1681 -UN-01JAN94



TP1681

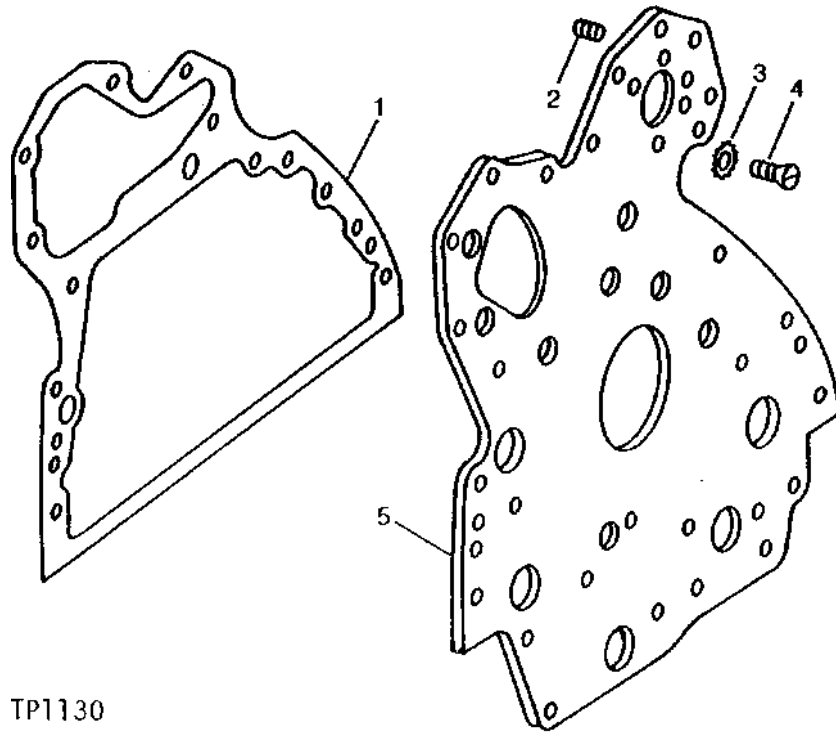


KEY	PART NO.	PART NAME	QTY	ENGINE SERIAL NO.	REMARKS
1	R90648	GASKET	1		
2	R56057	PLATE	1		
3	12H324	WASHER	5		3/8", LOCK, EXTERNAL-TOOTH
4	T20166	SCREW	5		

1D13

6359 AND 6068 ENGINES

ENGINE FRONT PLATE
 (6068HH001)
 (ENGINE SERIAL NO. 337246-701275)
 TP1130 -UN-01JAN94



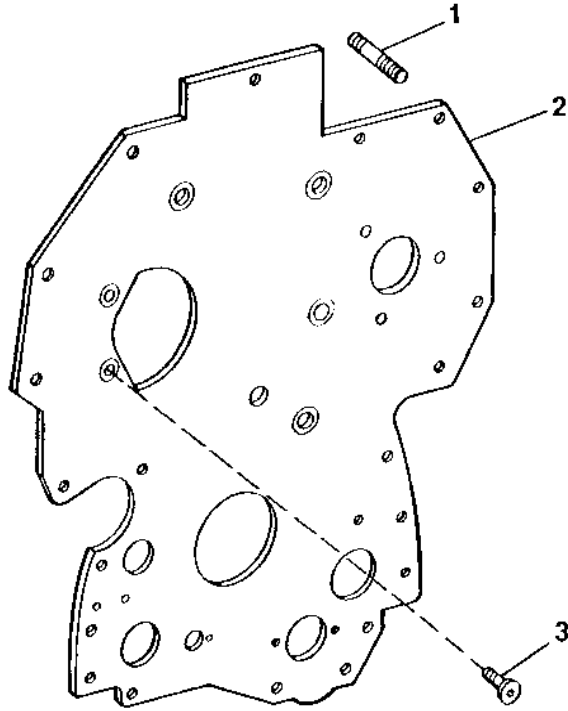
TP1130

KEY	PART NO.	PART NAME	QTY	ENGINE SERIAL NO.	REMARKS
1	R131794	GASKET	1		
2	AT21191	SET SCREW	AR		(SUB FOR R90648)
	AT22919	SET SCREW	2		
3	12H324	WASHER	5		3/8" EXTERNAL-TOOTH,
4	T20166	SCREW	5		
5	RE16149	PLATE	1		(ALSO ORDER (2) AT22919 AND (8) AT21191)

1D14

6359 AND 6068 ENGINES

ENGINE FRONT PLATE
(6068HH050)
(ENGINE SERIAL NO.701276-)
TP49330 -UN-14NOV95



TP49330

ENGINE
SERIAL NO.

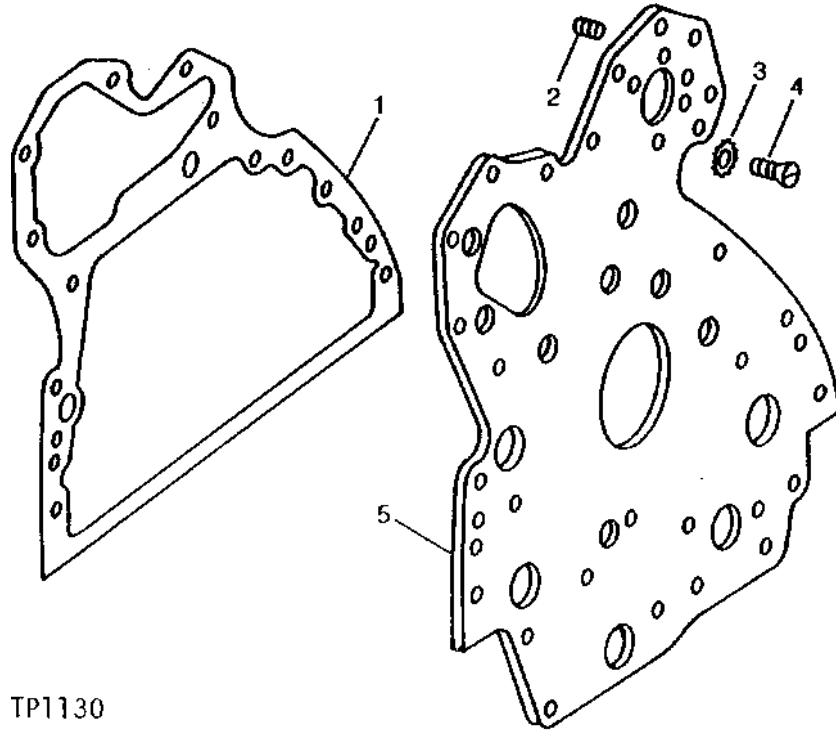
KEY	PART NO.	PART NAME	QTY	REMARKS
1	R116386	STUD	3	
2	R134527	PLATE	1	
3	R136475	SCREW	6	(SUB FOR R123355)

1D15

6359 AND 6068 ENGINES

ENGINE FRONT PLATE
(6359AH001)

(ENGINE SERIAL NO. -337245)
TP1130 -UN-01JAN94



TP1130

KEY	PART NO.	PART NAME	QTY	ENGINE SERIAL NO.	REMARKS
1	R131794	GASKET	1		
2	AT21191	SET SCREW	AR		(SUB FOR R90648)
	AT22919	SET SCREW	2		
3	12H324	WASHER	5		3/8" EXTERNAL-TOOTH,
4	T20166	SCREW	5		
5	RE16149	PLATE	1		(ALSO ORDER (2) AT22919 AND (8) AT21191)

1D16

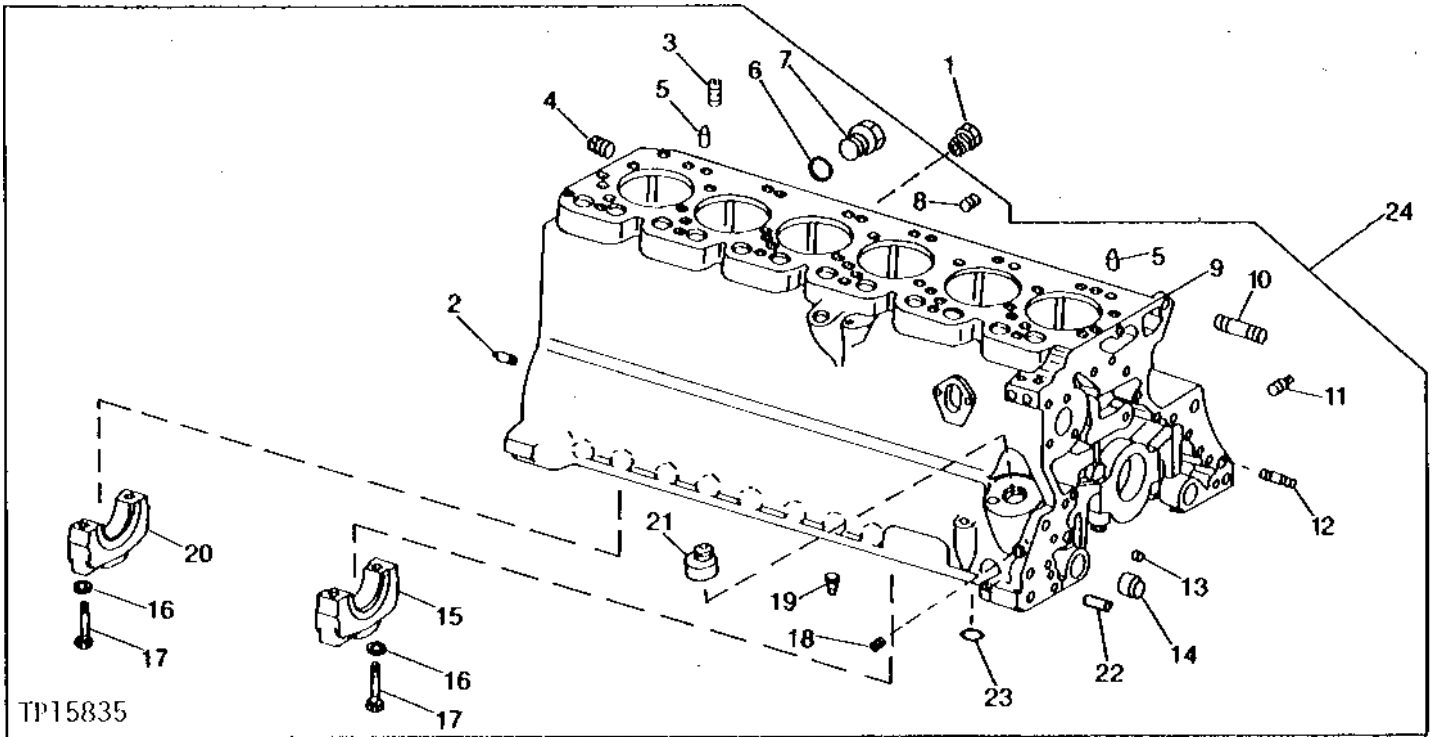
6359 AND 6068 ENGINES

CYLINDER BLOCK AND MAIN BEARING CAPS

(6359AH001)

(ENGINE SERIAL NO. -337245)

TP15835 -UN-01JAN94



KEY	PART NO.	PART NAME	QTY	ENGINE SERIAL NO.	REMARKS
1	R55233	PIPE PLUG	AR		
	AT13740	DRAIN VALVE	AR		
2	R48685	DOWEL PIN	2		
3	15H561	PIPE PLUG	1	1/2"	
4	15H562	PIPE PLUG	1	1"	
5	R48685	DOWEL PIN	2		
6	U13639	O-RING	1		
7	R39741	DRAIN PLUG	1		
8	15H275	PIPE PLUG	1	1/4"	
9	CYLINDER BLOCK	1		
10	R122226	STUD	2		(SUB FOR R122226)
11	R104592	PIPE PLUG	7		(SUB FOR 15H558, THIS APPLICATION)
12	T25701	STUD	1		
13	T18891	CAP	1		
	15H561	PIPE PLUG	1	1/2"	
14	R26493	BUSHING	1		OIL PRESSURE RELIEF VALVE
15	R65215	BEARING CAP	6		MAIN BEARING
16	T20168	WASHER	14		
17	T23474	CAP SCREW	14		
18	15H623	PIPE PLUG	1	3/8"	
19	R54802	ORIFICE	6		
20	R79089	CAP	1		MAIN BEARING
21	T23435	THREADED NIPPLE	1		
22	R26650	DOWEL PIN	2		
23	R75892	O-RING	AR		(OIL PUMP TUBE)
24	RE25519	CYLINDER BLOCK	1		(MARKED R81948 OR R111081) (SUB RE50657) (ALSO ORDER R111135 AND RE11137)

MEMORANDA

1D17

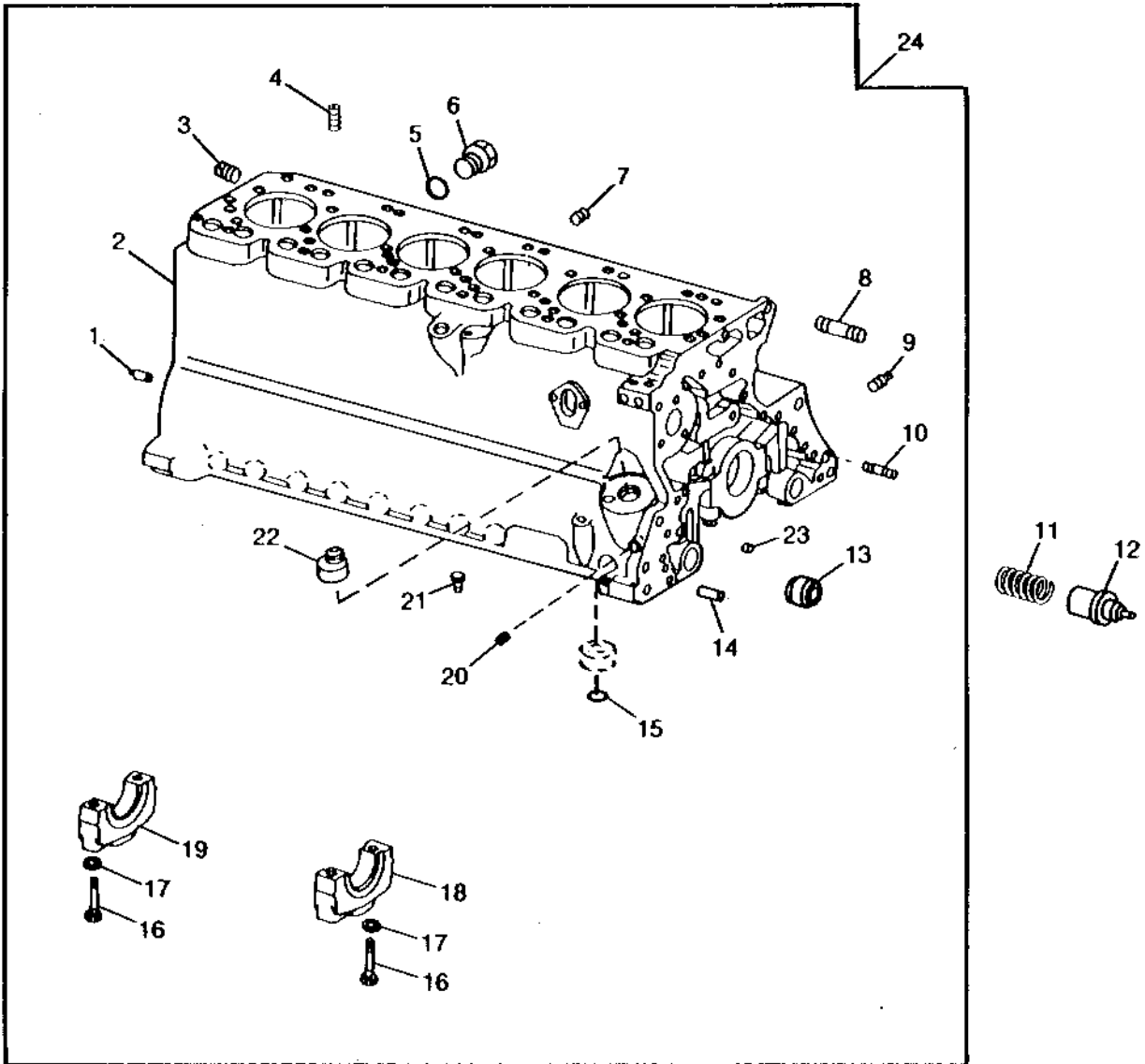
6359 AND 6068 ENGINES

REPLACEMENT CYLINDER BLOCK AND MAIN BEARING CAPS

(6359AH001)

(ENGINE SERIAL NO. -337245)

TP41947 -UN-01JAN94



TP41947

1D18

6359 AND 6068 ENGINES

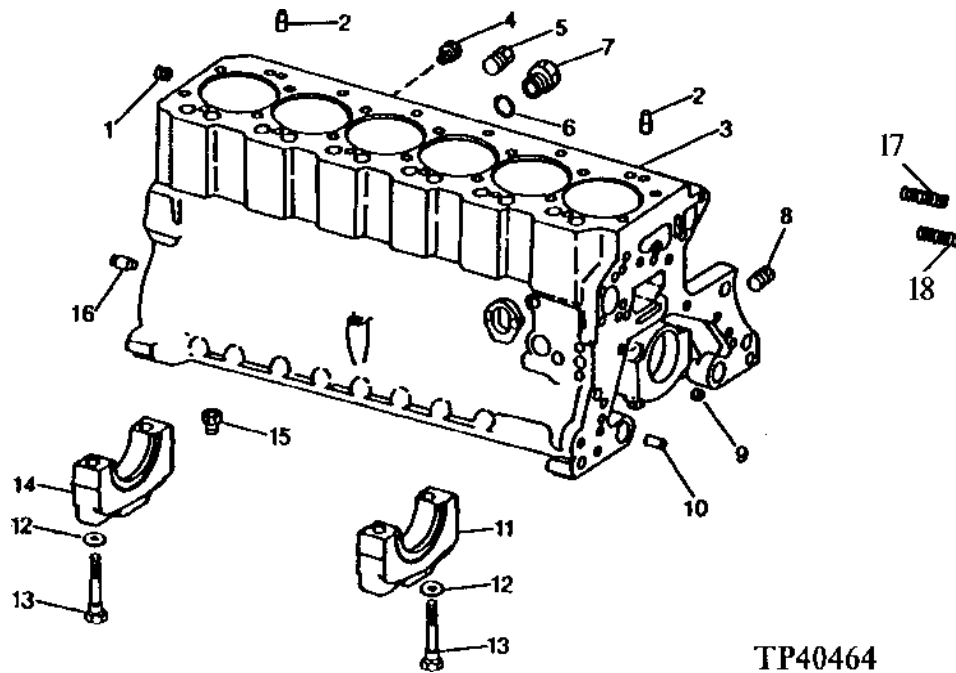
REPLACEMENT CYLINDER BLOCK AND MAIN BEARING CAPS**(6359AH001)****(ENGINE SERIAL NO. -337245)**

KEY	PART NO.	PART NAME	QTY	ENGINE SERIAL NO.	REMARKS
1	R48685	DOWEL PIN	4		
2	CYLINDER BLOCK	1		
3	15H562	PIPE PLUG	1	1"	
4	15H624	PIPE PLUG	1	1/2"	
5	U13639	O-RING	1		
6	R39741	DRAIN PLUG	1		
7	15H275	PIPE PLUG	1	1/4"	
8	R122226	STUD	2	(SUB FOR R122226)	
9	R104592	PIPE PLUG	7		
10	T25701	STUD	1		
11	R111137	SPRING	1		
12	R111135	VALVE	1		
13	R26493	BUSHING	1		
14	R26650	DOWEL PIN	2		
15	R75892	O-RING	1	(OIL PUMP TUBE)	
16	T23474	CAP SCREW	14		
17	T20168	WASHER	14		
18	R65215	BEARING CAP	6	MAIN BEARING	
19	R79089	CAP	1		
20	15H623	PIPE PLUG	1	3/8"	
21	R54802	ORIFICE	6		
22	T23435	THREADED NIPPLE	1		
23	T18891	CAP	2		
24	RE50657	CYLINDER BLOCK	1	(MARKED R111164 OR R124852) (ALSO ORDER R111137 AND R111135)	

1D19

6359 AND 6068 ENGINES

CYLINDER BLOCK AND MAIN BEARING CAPS
(6068HH001)
(ENGINE SERIAL NO. 337246-364489)
TP40464 -UN-26OCT94



1D20

6359 AND 6068 ENGINES

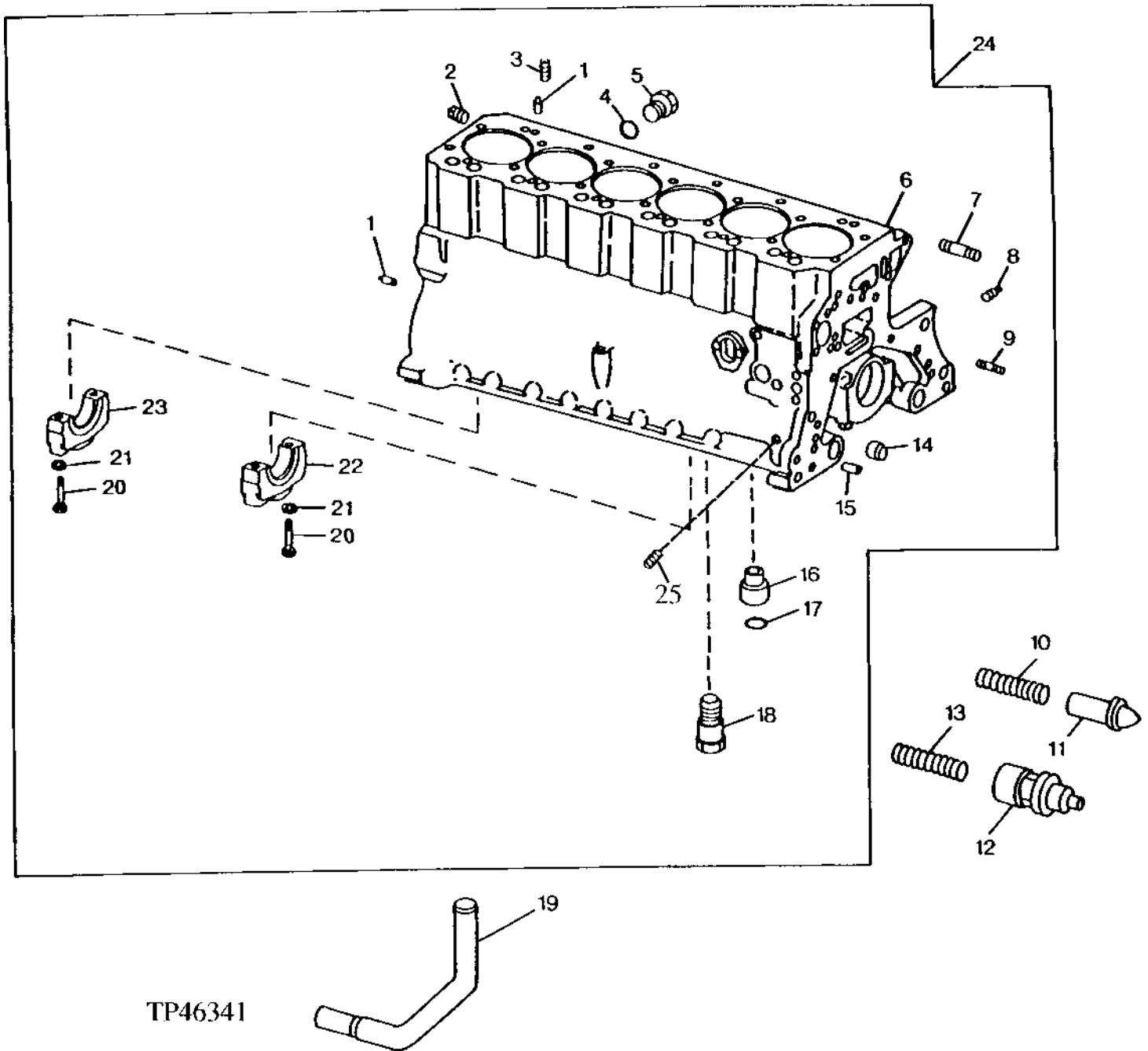
**CYLINDER BLOCK AND MAIN BEARING CAPS
(6068HH001)
(ENGINE SERIAL NO. 337246-364489)**

KEY	PART NO.	PART NAME	QTY	ENGINE SERIAL NO.	REMARKS
1	15H652	PIPE BUSHING	1	3/4"	
2	R48685	DOWEL PIN	2		
3	RE31656	CYLINDER BLOCK	1		(MARKED R90171) WITH MAIN BEARING CAPS, DOWEL PINS, PIPE PLUGS, STUDS, CAPSCREWS AND WASHERS, (SUB RE50677) (ALSO ORDER R83169, T27658, R111135, R111137 AND R112867)
4	R55233	PIPE PLUG	1		
5	15H561	PIPE PLUG	1	1/2", (WITHOUT TURBOCHARGER)	
6	U13639	O-RING	1	(WITHOUT ENGINE COOLANT HEATER)	
7	R39741	DRAIN PLUG	1	(WITHOUT ENGINE COOLANT HEATER)	
8	R104592	PIPE PLUG	7		
9	T18891	CAP	2		
10	R26650	DOWEL PIN	2		
11	R65215	BEARING CAP	6		MAIN BEARING, FRONT AND CENTER
12	T20168	WASHER	14		
13	T23474	CAP SCREW	14		
14	R79089	CAP	1		MAIN BEARING, REAR
15	R54802	ORIFICE	6		
16	R48685	DOWEL PIN	2		
17	T25701	STUD	1		
18	R122226	STUD	2		(SUB FOR R122226)

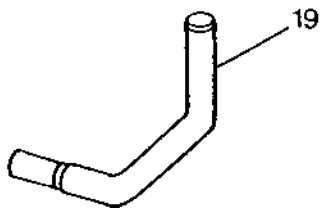
1D21

6359 AND 6068 ENGINES

CYLINDER BLOCK AND MAIN BEARING CAP
(6068HH001)
(ENGINE SERIAL NO. 364490-701275)
TP46341 -UN-05OCT94



TP46341



1D22

6359 AND 6068 ENGINES

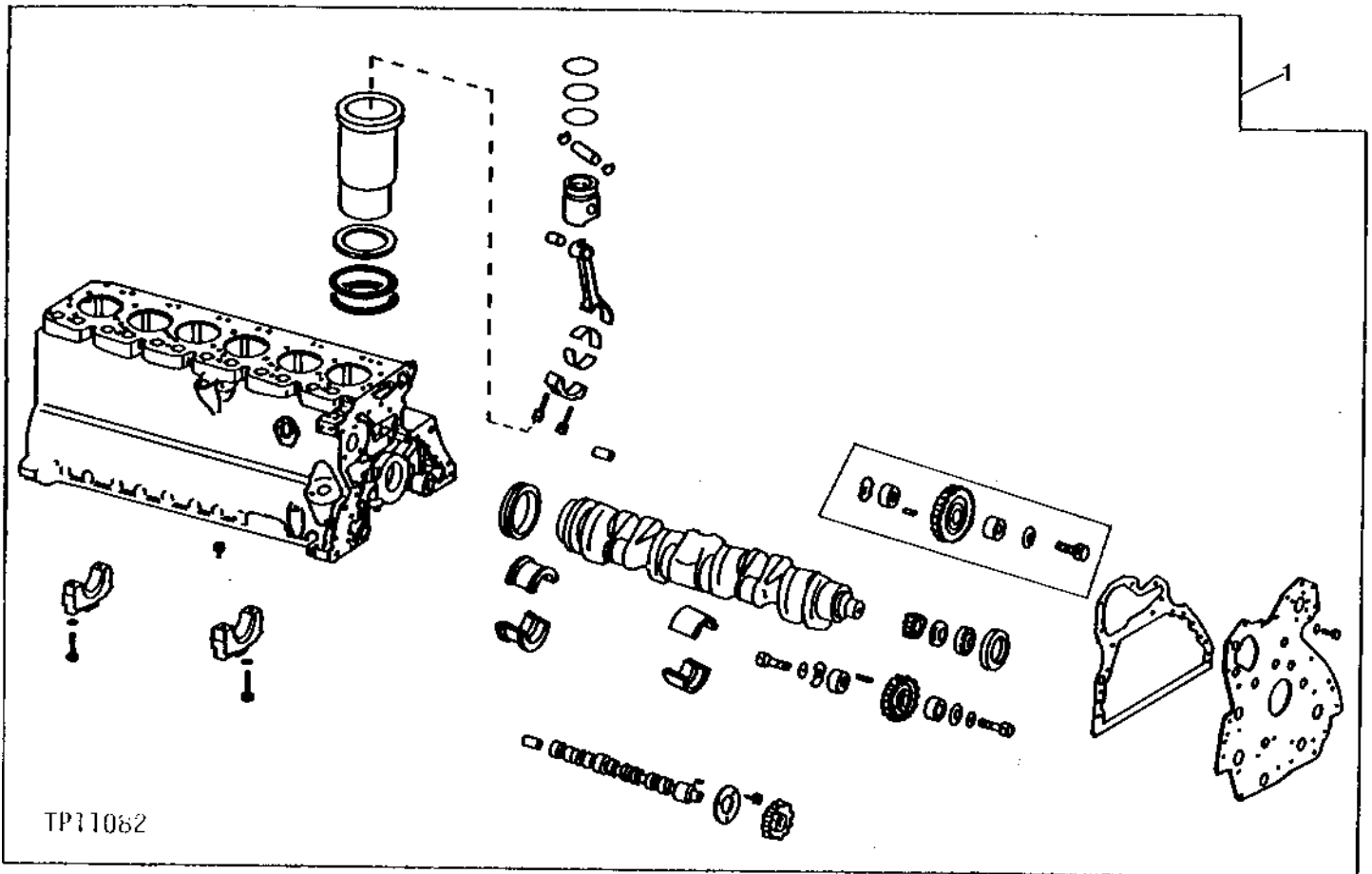
**CYLINDER BLOCK AND MAIN BEARING CAPS
(6068HH001)
(ENGINE SERIAL NO. 364490-701275)**

KEY	PART NO.	PART NAME	QTY	ENGINE SERIAL NO.	REMARKS
1	R48685	DOWEL PIN	4		
2	15H562	PIPE PLUG	1	1"	
3	15H624	PIPE PLUG	1	1/2"	
4	U13639	O-RING	1		
5	R39741	DRAIN PLUG	1		
6	CYLINDER BLOCK	1		
7	R122226	STUD	2	(SUB FOR R122226)	
8	R104592	PIPE PLUG	7		
9	T25701	STUD	1		
10	T27658	SPRING	1		
11	R83169	VALVE	1		
12	R111135	VALVE	1		
13	R111137	SPRING	1		
14	R26493	BUSHING	1		OIL PRESSURE RELIEF VALVE
15	R26650	DOWEL PIN	2		
16	R115390	BUSHING	1		
17	R97185	O-RING	1	(OIL PUMP TUBE)	
18	R54802	ORIFICE	6		
19	R112867	OIL TUBE	1		
20	T23474	CAP SCREW	14		
21	T20168	WASHER	14		
22	R65215	BEARING CAP	6		MAIN BEARING
23	R79089	CAP	1		MAIN BEARING
24	RE50677	CYLINDER BLOCK	1		(MARKED R112871 OR R124853) (ALSO ORDER R83169, T27658, R111135, R111137 AND R112867)
25	15H623	PIPE PLUG	AR	3/8"	

1D23

6359 AND 6068 ENGINES

ENGINE SHORT BLOCK
TP11082 -UN-01JAN94



1D24

6359 AND 6068 ENGINES

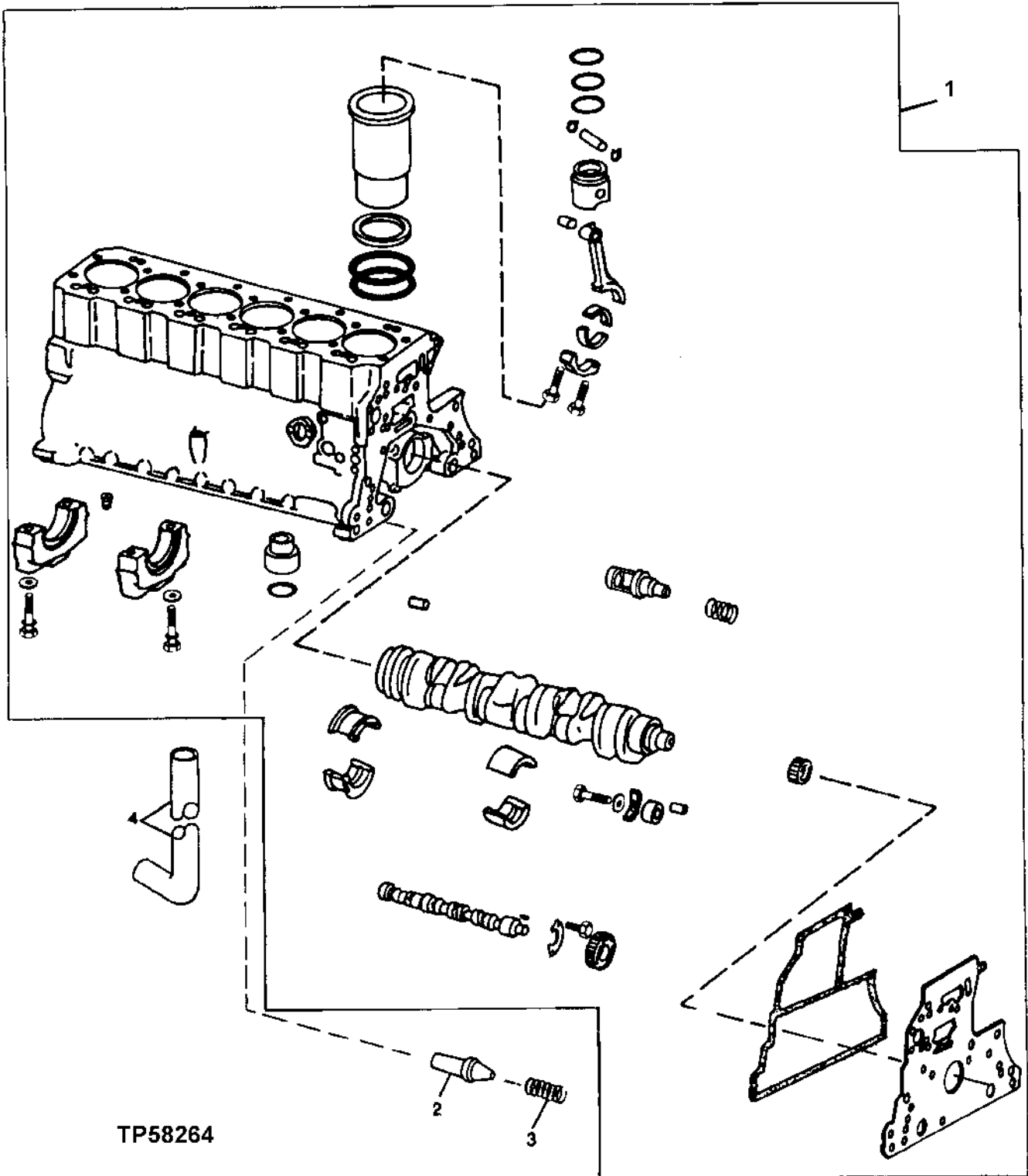
ENGINE SHORT BLOCK - CONTINUED

KEY	PART NO.	PART NAME	QTY	SERIAL NO.	REMARKS
1	RE25525	SHORT BLOCK ASSEMBLY	1	-XXXXXX	(6359) (ALSO ORDER AR67942 AND RE38858)
	RE48513	SHORT BLOCK ASSEMBLY	1	XXXXXX-XXXXXX	(6068) (SUB RE50686) (ALSO ORDER R83169, T27658, R112867, AR67942, RE44574 AND RE38858)

1E1

6359 AND 6068 ENGINES

ENGINE SHORT BLOCK
(6068HH001)
(ENGINE SERIAL NO. 364490-701275)
TP58264 -UN-14NOV97



TP58264

2 3

1E2

6359 AND 6068 ENGINES

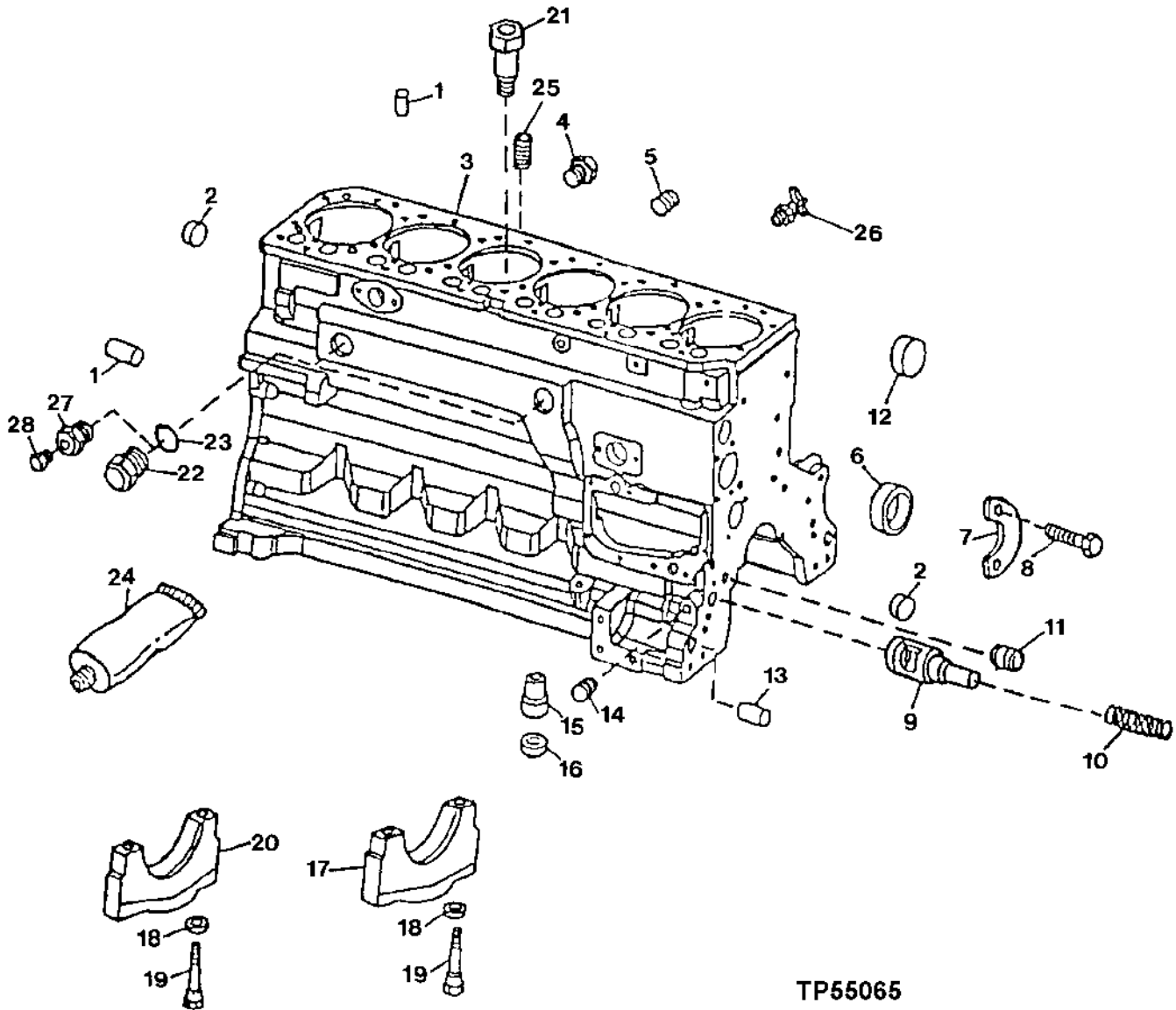
ENGINE SHORT BLOCK-CONTINUED
(6068HH001)
(ENGINE SERIAL NO. 364490-701275)

KEY	PART NO.	PART NAME	QTY	ENGINE SERIAL NO.	REMARKS
1	RE50686	SHORT BLOCK ASSEMBLY	1		(MARKED R112871 OR R124853) (ALSO ORDER R83169, T27658, R112867, AR67942 AND RE501580)
2	R83169	VALVE	1		
3	T27658	SPRING	1		
4	R112867	OIL TUBE	1		

1E3

6359 AND 6068 ENGINES

CYLINDER BLOCK
(6068HH050)
(ENGINE SERIAL NO.701276-)
TP55065 -UN-16JUN97



1E4

6359 AND 6068 ENGINES

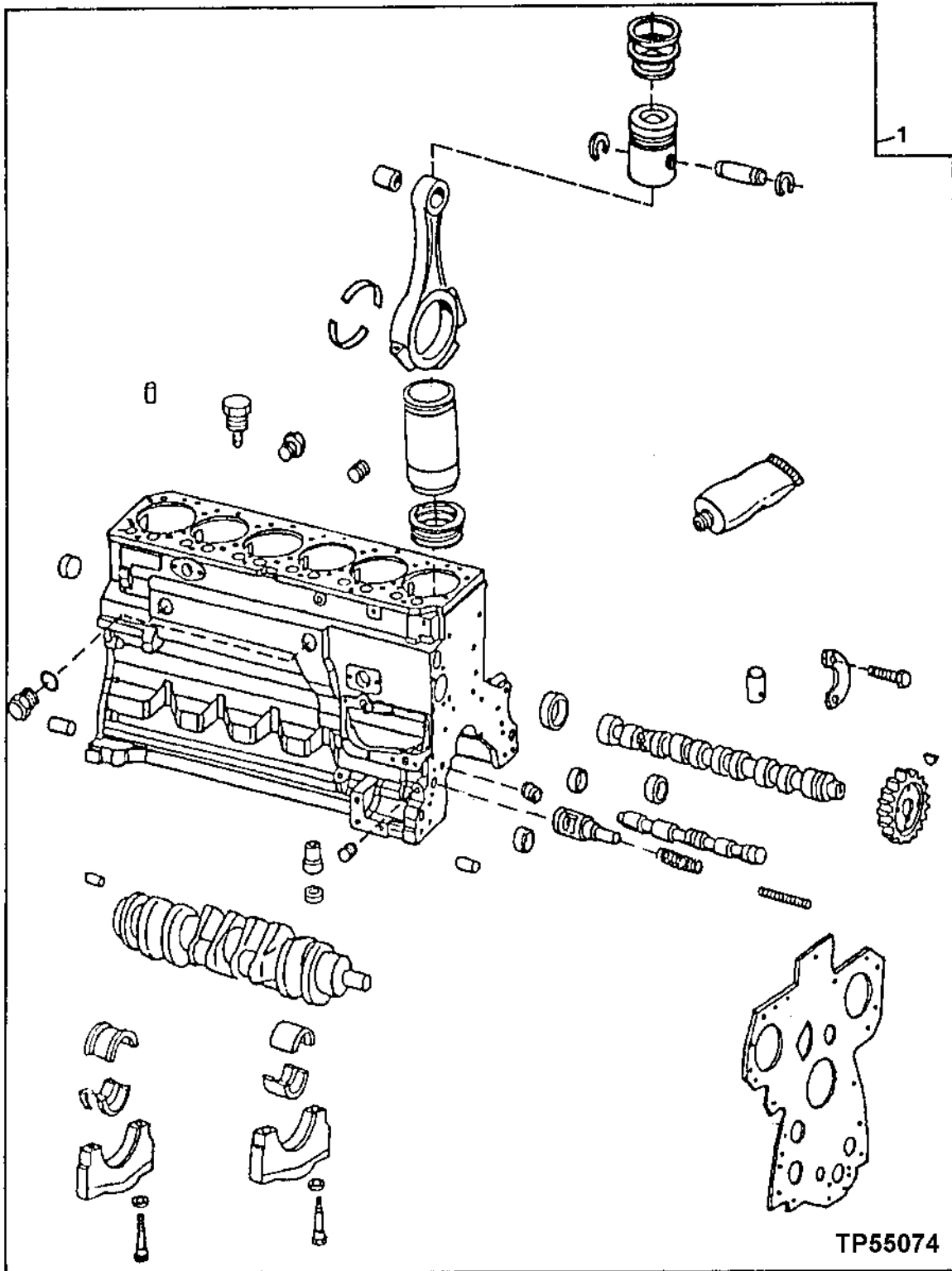
CYLINDER BLOCK-CONTINUED
(6068HH050)
(ENGINE SERIAL NO.701276-)

KEY	PART NO.	PART NAME	QTY	ENGINE SERIAL NO.	REMARKS
1	R48685	DOWEL PIN	4		
2	T18891	CAP	2		
3	CYLINDER BLOCK	1		(MARKED R119565)
4	R55233	PIPE PLUG	1		
5	R104592	PIPE PLUG	7		
6	R119874	BUSHING	1		CAMSHAFT
7	R132518	PLATE	1		
8	19M8999	SCREW	2		M8 X 25
9	R121043	VALVE	1		ENGINE OIL BY-PASS
10	R111137	SPRING	1		
11	R26493	BUSHING	1		OIL PRESSURE REGULATING
12	R116466	BUSHING	1		
13	R26650	DOWEL PIN	2		
14	15H562	PIPE PLUG	1		1"
15	R115390	BUSHING	1		
16	R75892	O-RING	1		
17	R114241	BEARING CAP	6		MAIN BEARING
18	T20168	WASHER	14		
19	T23474	CAP SCREW	14		
20	R132186	BEARING CAP	1		MAIN THRUST BEARING
21	R131182	ORIFICE	6		
22	R39741	DRAIN PLUG	2		
23	U13639	O-RING	2		37.465 X 2.997 MM (1.475" X 0.118")
24	T43514	GASKET	1		(PLASTIC GASKET)
25	15H624	PIPE PLUG	1		1/2", W/O TURBO
26	AT13740	DRAIN VALVE	1		
27	R123616	PLUG	1		
28	RE46685	PLUG	1		

1E5

6359 AND 6068 ENGINES

ENGINE SHORT BLOCK
(6068HH050)
(ENGINE SERIAL NO.701276-)
TP55074 -UN-01MAY97



1E6

6359 AND 6068 ENGINES

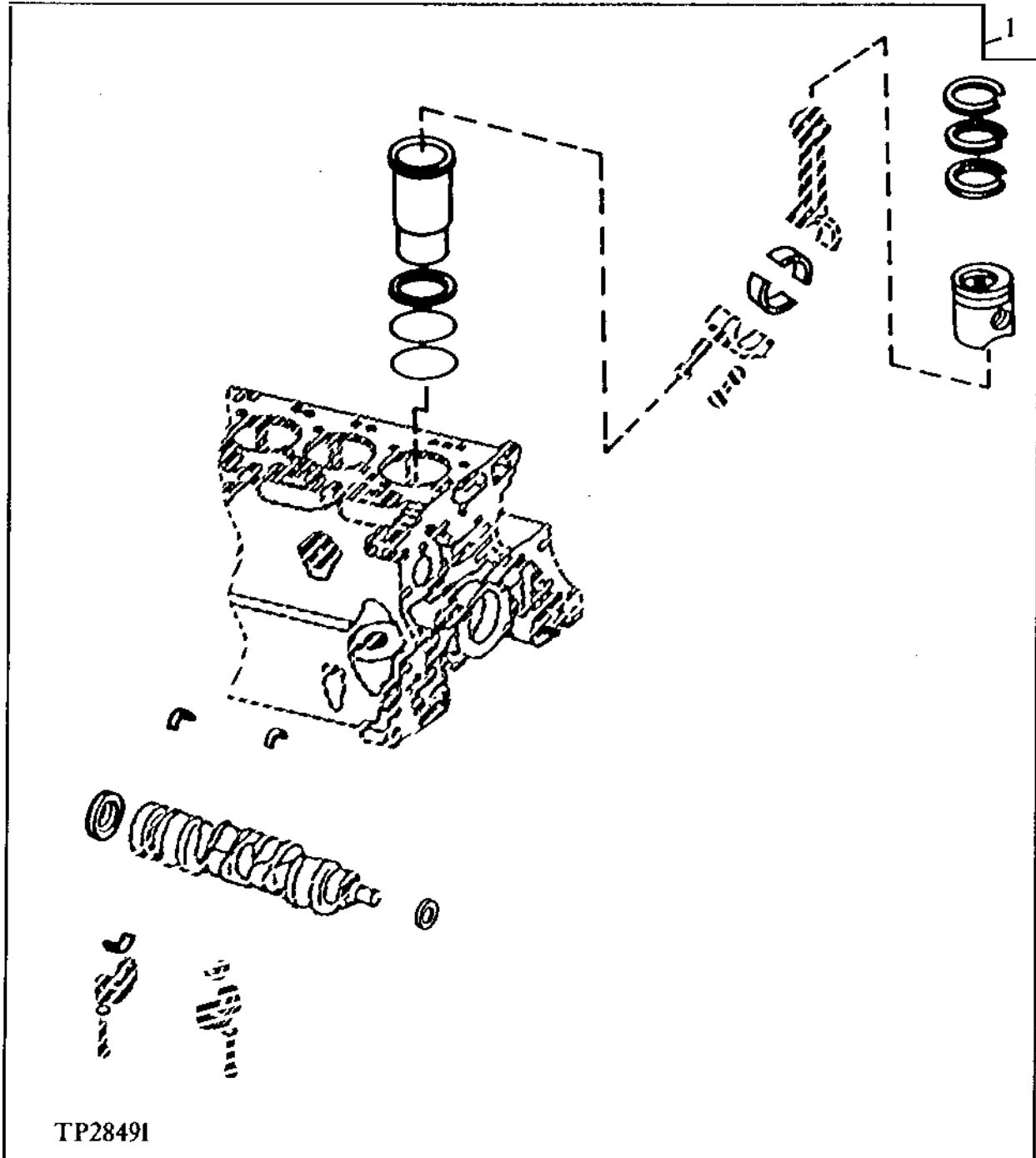
SHORT BLOCK-CONTINUED
(6068HH050)
(ENGINE SERIAL NO.701276-)

KEY	PART NO.	PART NAME	QTY	ENGINE SERIAL NO.	REMARKS
1	RE65965	SHORT BLOCK ASSEMBLY	1	(MARKED R119565)	

1E7

6359 AND 6068 ENGINES

BASIC ENGINE OVERHAUL KIT
(6359AH001)
(ENGINE SERIAL NO. -337245)
TP28491 -UN-01JAN94



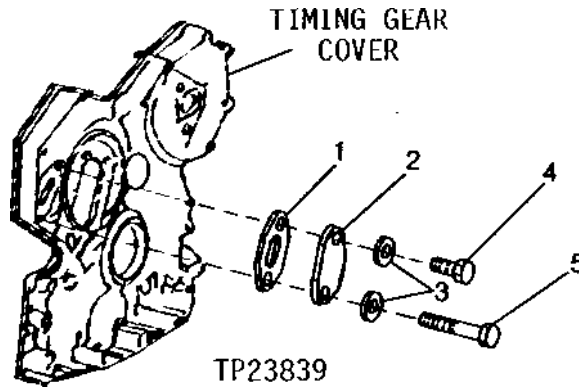
1E8

6359 AND 6068 ENGINES

BASIC ENGINE OVERHAUL KIT
(6359AH001)
(ENGINE SERIAL NO. -337245)

KEY	PART NO.	PART NAME	QTY	ENGINE SERIAL NO.	REMARKS
1	ENGINE OVERHAUL KIT	1		BASIC ENGINE OVERHAUL KIT (WITH STANDARD PISTONS) (ALSO INCLUDES ENGINE OVERHAUL GASKET KIT) (ORDER ONE KIT PER ENGINE) (RE50783 NO LONGER AVAILABLE) (SUB RE61616)
	RE61616	ENGINE OVERHAUL KIT	1		BASIC ENGINE OVERHAUL KIT (WITH STANDARD PISTONS) (ALSO INCLUDES ENGINE OVERHAUL GASKET KIT) (ORDER ONE KIT PER ENGINE) (INCLUDES (12) R54114)

ENGINE OIL FILLER OPENING COVER
(6068HH001)
(ENGINE SERIAL NO.337246-701275)
 TP23839 -UN-01JAN94

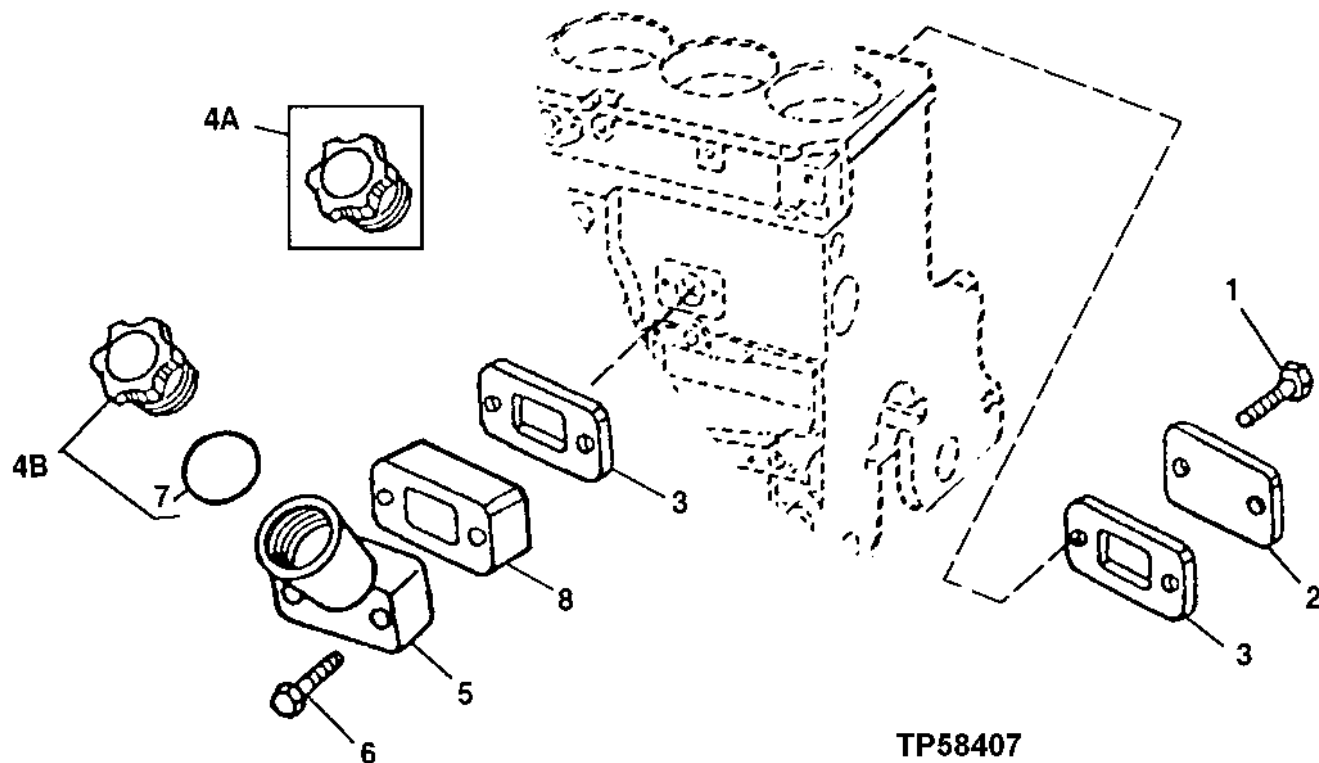


KEY	PART NO.	PART NAME	QTY	SERIAL NO.	REMARKS
1	R97352	GASKET	1		(SUB FOR T20336)
2	T23260	COVER	1		
3	24M7106	WASHER	AR	10 X 18 X 2.500 MM	
4	R122618	SCREW	1		(SUB FOR 19H1648, THIS APPLICATION)
5	R104628	CAP SCREW	1	9.525 X 57.150 MM (3/8" X 2-1/4")	
	12H304	LOCK WASHER	AR	3/8"	

1E10

6359 AND 6068 ENGINES

ENGINE OIL FILLER INLET
(6068HH050)
(ENGINE SERIAL NO.701276-)
 TP58407 -UN-15JAN99



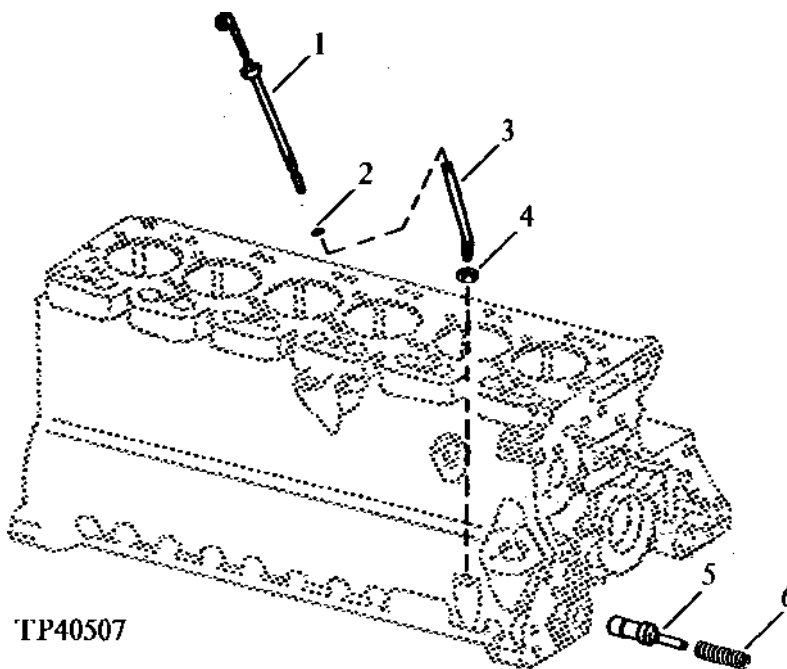
KEY	PART NO.	PART NAME	QTY	ENGINE SERIAL NO.	REMARKS
1	RE67238	SCREW	2		M8 X 20 (WITH PRE-APPLIED SEALANT)
2	R116296	COVER	1		
3	R136495	GASKET	2		(SUB FOR R116297)
4A	CAP	1		(RE52326 NO LONGER AVAILABLE) (SUB RE500005)
4B	RE500005	FILLER CAP	1		
5	RE501377	FILLER NECK	1		(SUB FOR R123216 AND R136483)
6	RE503609	CAP SCREW	2		M8 X 100 (WITH PRE-APPLIED SEALANT) (SUB FOR RE71527, THIS APPLICATION)
7	R500001	PACKING	1		(USE WITH RE500005)
8	R136514	SPACER	1		

ENGINE OIL DIPSTICK AND BYPASS VALVE

(6068HH001)

(ENGINE SERIAL NO.337246-701275)

TP40507 -UN-26OCT94

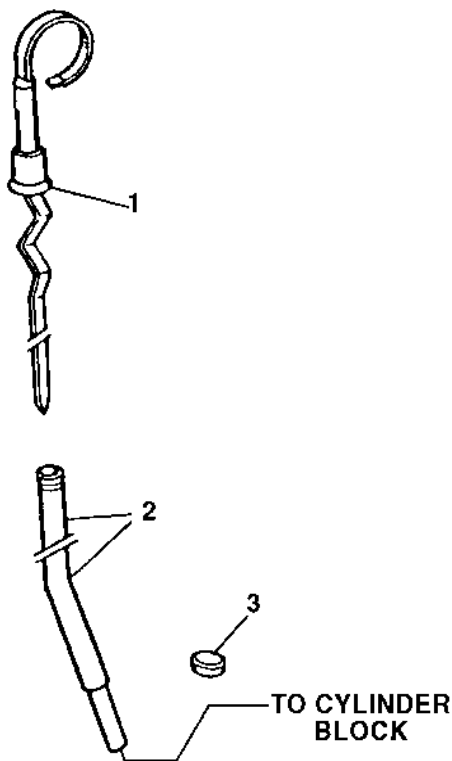


KEY	PART NO.	PART NAME	QTY	ENGINE SERIAL NO.	REMARKS
1	AT21535	DIPSTICK	1		
2	A3917R	O-RING	1		(SUB FOR R10093)
3	R86819	THREADED NIPPLE	1		
4	14H826	NUT	1	1/2"	
5	R46625	SPRING	1		
6	R73139	VALVE	1		

1E12

6359 AND 6068 ENGINES

ENGINE OIL DIPSTICK
(6068HH050)
(ENGINE SERIAL NO.701276-)
TP49875 -UN-19APR96

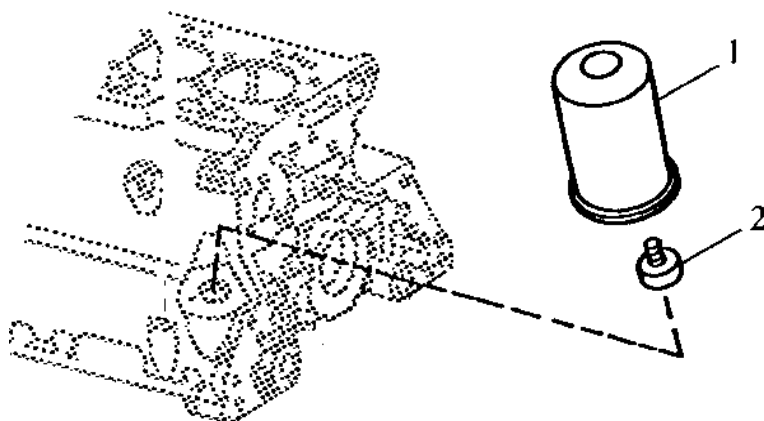


KEY	PART NO.	PART NAME	QTY	ENGINE SERIAL NO.	REMARKS
1	RE69243	DIPSTICK	1		
2	R130055	DIPSTICK TUBE	1		
3	R134240	PLUG	AR		

ENGINE OIL FILTER**(6359AH001)****(ENGINE SERIAL NO.****-337245)**

TP40508

-UN-27OCT94



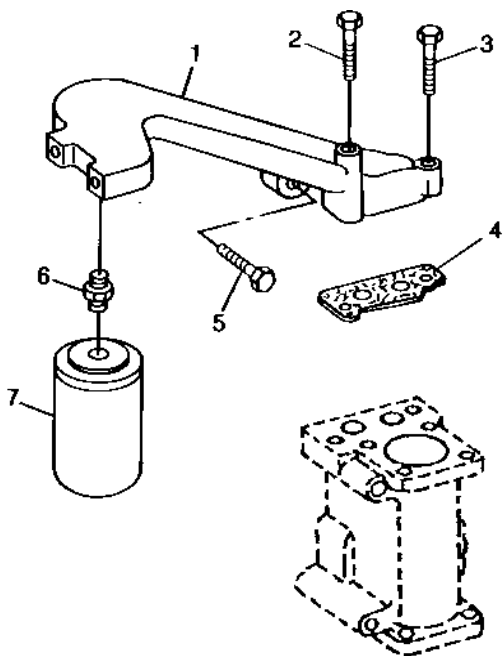
TP40508

KEY	PART NO.	PART NAME	QTY	ENGINE SERIAL NO.	REMARKS
1	T19044	OIL FILTER	1		
2	T23435	THREADED NIPPLE	1		

1E14

6359 AND 6068 ENGINES

ENGINE OIL FILTER
(6068HH001)
(ENGINE SERIAL NO. 337246-XXXXXX)
 TP40506 -UN-26OCT94



TP40506

KEY	PART NO.	PART NAME	QTY	ENGINE SERIAL NO.	REMARKS
1	R109887	ADAPTER	1		
2	19H2732	CAP SCREW	1	3/8" X 2-3/4"	
3	19H2633	CAP SCREW	1	3/8" X 1-1/2"	
4	R98488	GASKET	1		
5	19H3483	CAP SCREW	1	3/8" X 1-1/8"	
6	R54823	ADAPTER	1		
7	T19044	OIL FILTER	1		

1E15

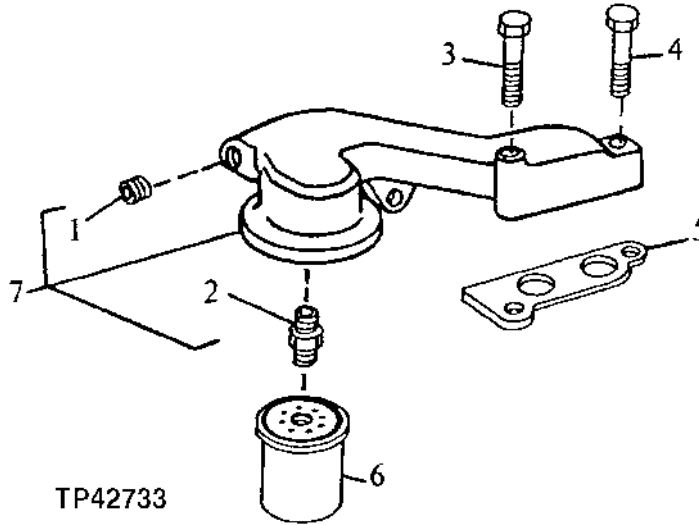
6359 AND 6068 ENGINES

ENGINE OIL FILTER AND OIL FILTER ADAPTER

(6068HH001)

(ENGINE SERIAL NO.337246-701275)

TP42733 -UN-25JAN96



KEY	PART NO.	PART NAME	QTY	SERIAL NO.	REMARKS
1	15H666	PIPE PLUG	1	3/8"	
2	R54823	ADAPTER	1		
3	19H2732	CAP SCREW	1	3/8" X 2-3/4"	
4	19H3065	CAP SCREW	1	3/8" X 2"	
5	R98488	GASKET	1		
6	T19044	OIL FILTER	1		
7	RE52179	ADAPTER	1	(MARKED R113646)	

MEMORANDA

1E16

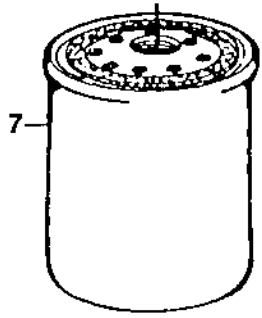
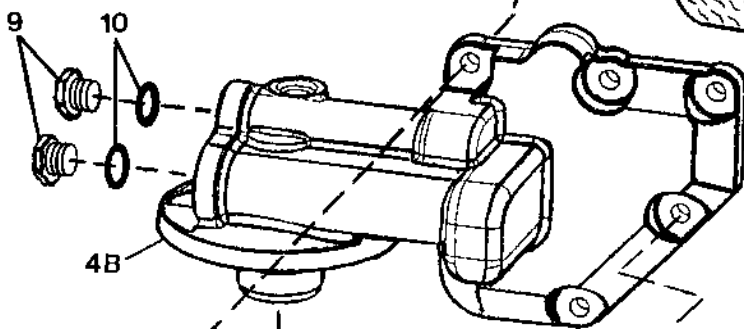
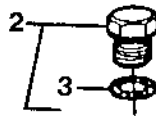
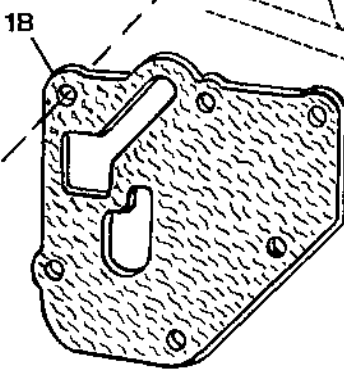
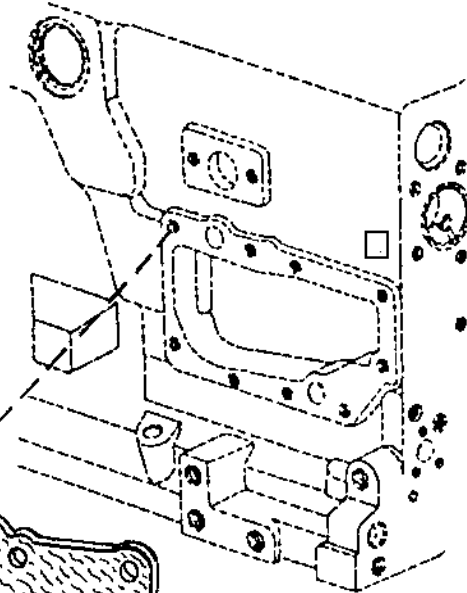
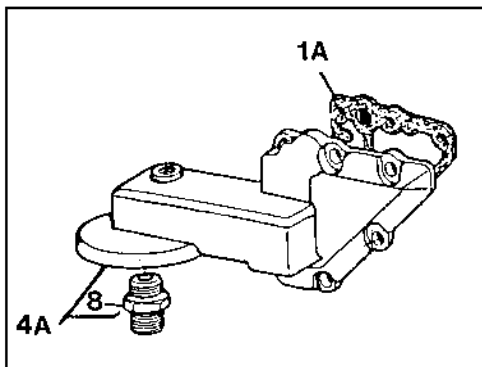
6359 AND 6068 ENGINES

ENGINE OIL FILTER AND OIL FILTER ADAPTER

(6068HH050)

(ENGINE SERIAL NO.701276-)

TP55368 -UN-04MAY98



TP55368

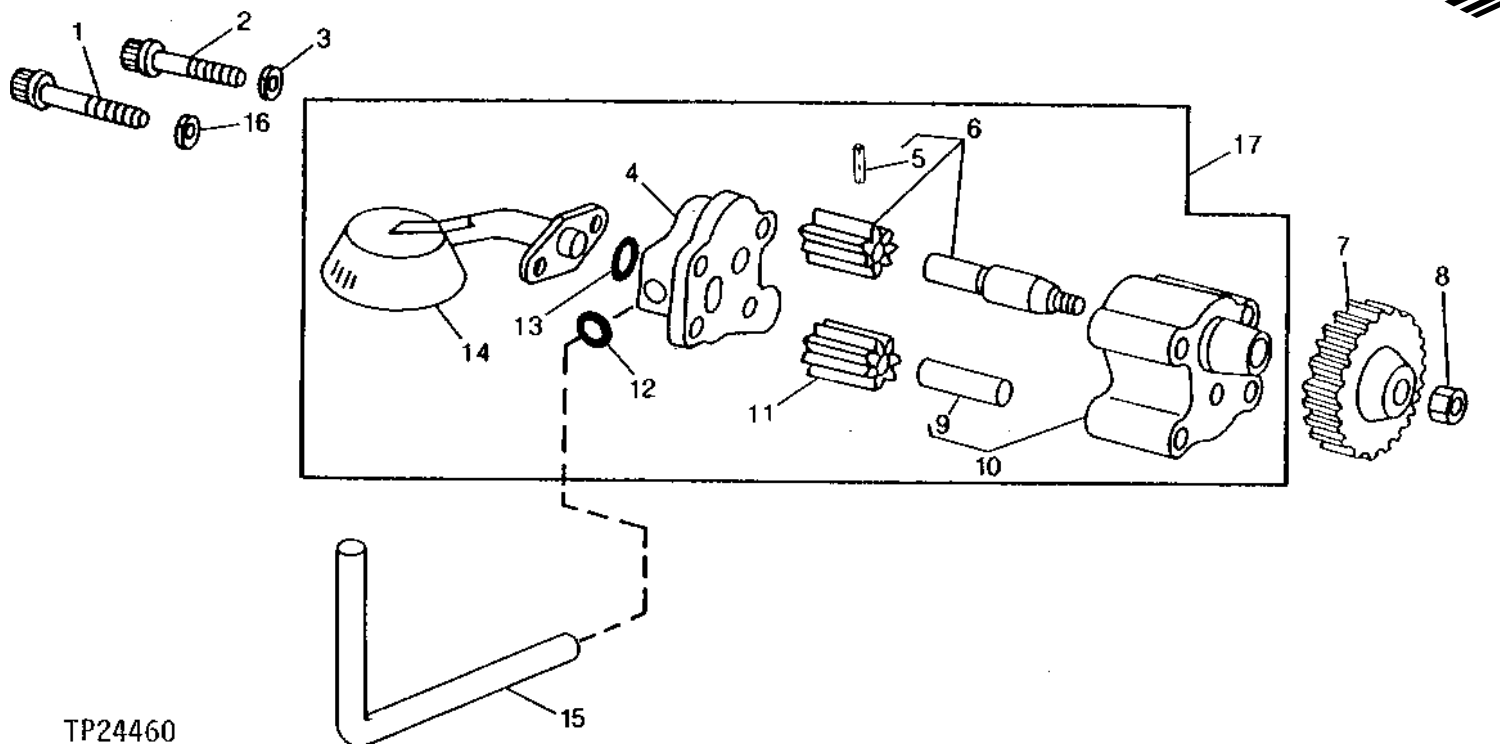
**ENGINE OIL FILTER AND OIL FILTER ADAPTER
(6068HH050)
(ENGINE SERIAL NO.701276-)**

KEY	PART NO.	PART NAME	QTY	ENGINE SERIAL NO.	REMARKS
1A	R123525	GASKET	1	-766854	
1B	R500374	GASKET	1	766855-	
2	RE46716	PLUG	AR		
3	51M7042	O-RING	1		13.300 X 2.200 MM
4A	RE59908	FILTER HEAD	1	-766854	(MARKED R123475) (SUB RE500133) (ALSO ORDER (2) R116115, (2) 51M7045 AND R500374)
4B	RE500133	FILTER HEAD	1	766855-	
5	19M7802	SCREW	5		M8 X 65
6	RE67238	SCREW	1		M8 X 20 (WITH PRE-APPLIED SEALANT)
7	RE59754	OIL FILTER	1		
8	ADAPTER	1	-766854	(R123591 NO LONGER AVAILABLE) (SUB RE59908)
9	R116115	FITTING	2	766855-	
10	51M7045	O-RING	2	766855-	

1E18

6359 AND 6068 ENGINES

ENGINE OIL PUMP
(6359AH001)
(ENGINE SERIAL NO. -337245)
 TP24460 -UN-01JAN94



TP24460

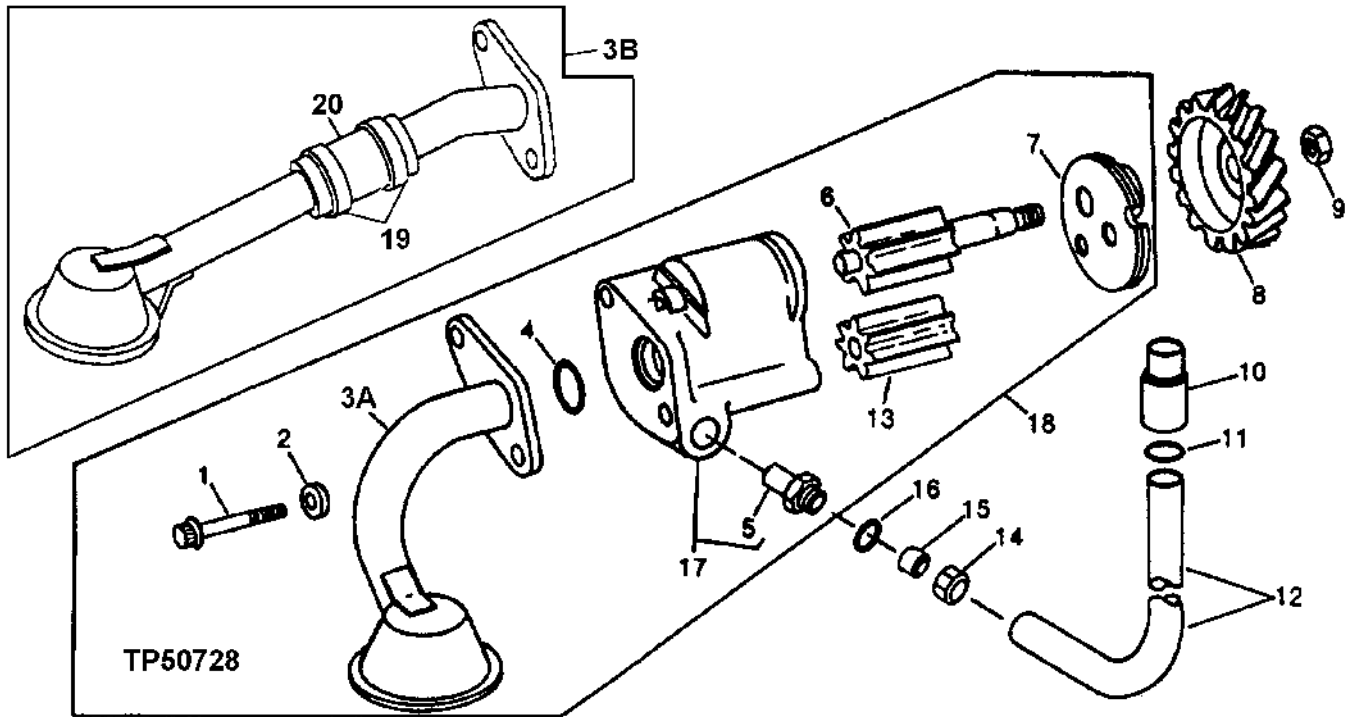
KEY	PART NO.	PART NAME	QTY	ENGINE SERIAL NO.	REMARKS
1	R74552	CAP SCREW	2		
2	R57059	CAP SCREW	2		
3	R74553	WASHER	2		
4	R53382	COVER	1		
5	34H280	SPRING PIN	1		3/16" X 7/8", (SUB FOR M3853T, THIS APPLICATION)
6	AR62978	PINION	1		(33 TEETH)
7	T20298	GEAR	1		(33 TEETH)
8	14H826	NUT	1		1/2"
9	T20091	DOWEL PIN	1		
10	AR62979	HOUSING	1		(MARKED R54615) (SUB RE55343 AND R113752)
11	R54614	GEAR	1		(7 TEETH)
12	R74354	O-RING	1		(SUB FOR R27564, THIS APPLICATION)
13	R61871	O-RING	1		
14	RE33003	OIL PUMP INTAKE	1		
15	T20050	OIL TUBE	1		
16	R74553	WASHER	1		
17	RE35685	OIL PUMP	1		(SUB RE55343 AND R113752)

MEMORANDA

1E19

6359 AND 6068 ENGINES

ENGINE OIL PUMP
(6068HH001)
(ENGINE SERIAL NO. 337246-701276)
 TP50728 -UN-05FEB98

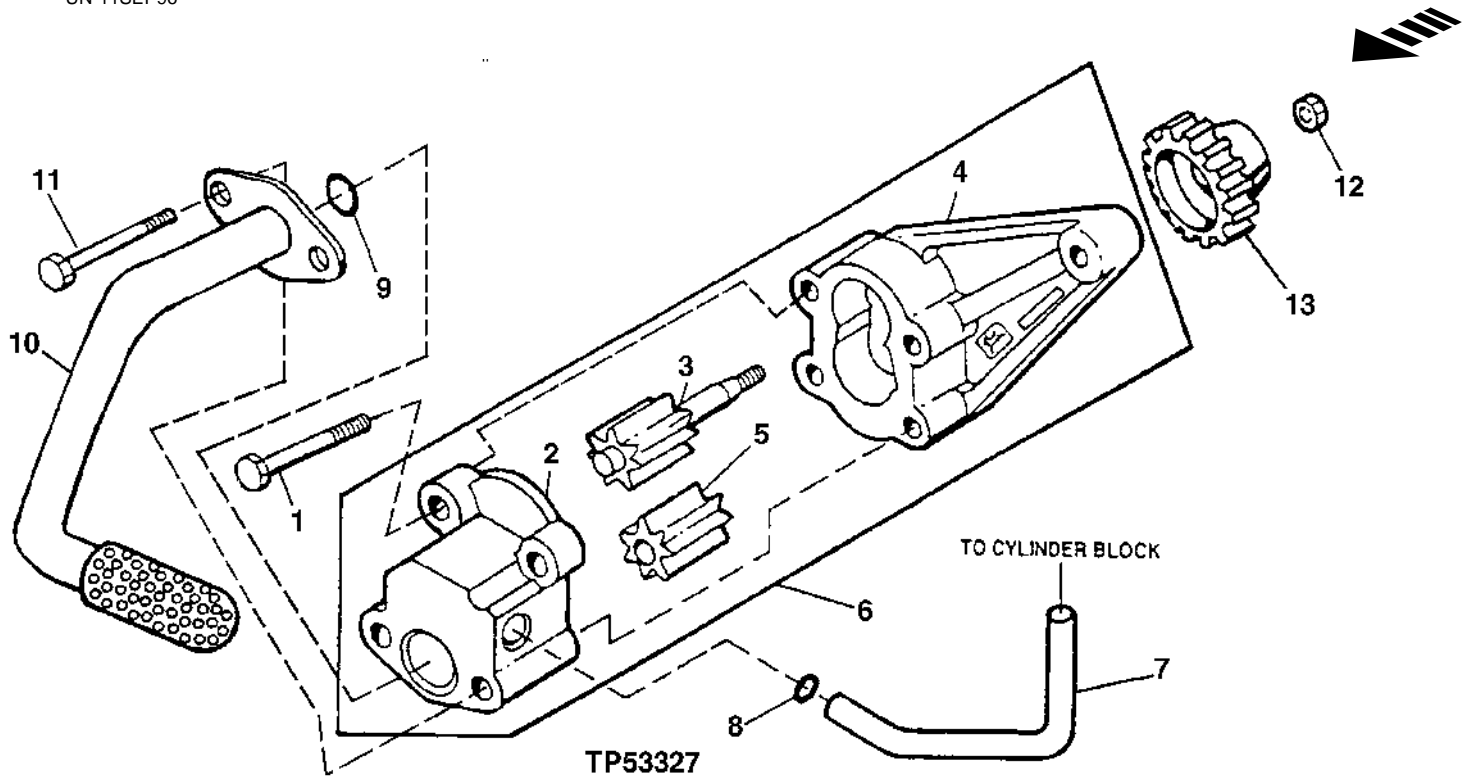


KEY	PART NO.	PART NAME	QTY	ENGINE SERIAL NO.	REMARKS
1	R116424	CAP SCREW	2		(SUB FOR R74552, THIS APPLICATION) (ALSO ORDER (2) R74553)
2	R74553	WASHER	2		(USE WITH R116424)
3A	RE52844	OIL PUMP INTAKE	1		(SUB FOR AR66402) (SUB FOR RE50211, THIS APPLICATION) (SUB RE501363)
3B	RE501363	OIL PUMP INTAKE	1		
4	R61871	O-RING	1		
5	R79560	ADAPTER	1		
6	AR85788	SHAFT	1		(7 TEETH) (ALSO ORDER R66177)
7	R54632	COVER	1		
8	T20298	GEAR	1		(33 TEETH)
9	14H826	NUT	1		1/2"
10	R54815	FITTING	1		OIL PUMP TUBE
11	R80632	O-RING	AR		
12	R79561	OIL TUBE	1		
13	R66177	GEAR	1		(7 TEETH) (ALSO ORDER AR85788)
14	R79562	FITTING	1		
15	R79563	SLEEVE	1		
16	R80632	O-RING	1		
17	RE15490	HOUSING	1		(MARKED R97587)
18	AR79465	OIL PUMP	1		(SUB RE51497)
.....		OIL PUMP	1		(RE51497 NO LONGER AVAILABLE)
19	RE62711	CLAMP	2		(USE WITH RE501363)
20	R501102	HYDRAULIC HOSE	1		(USE WITH RE501363)

1E20

6359 AND 6068 ENGINES

ENGINE OIL PUMP
(6068HH050)
(ENGINE SERIAL NO.701276-)
 TP53327 -UN-11SEP96

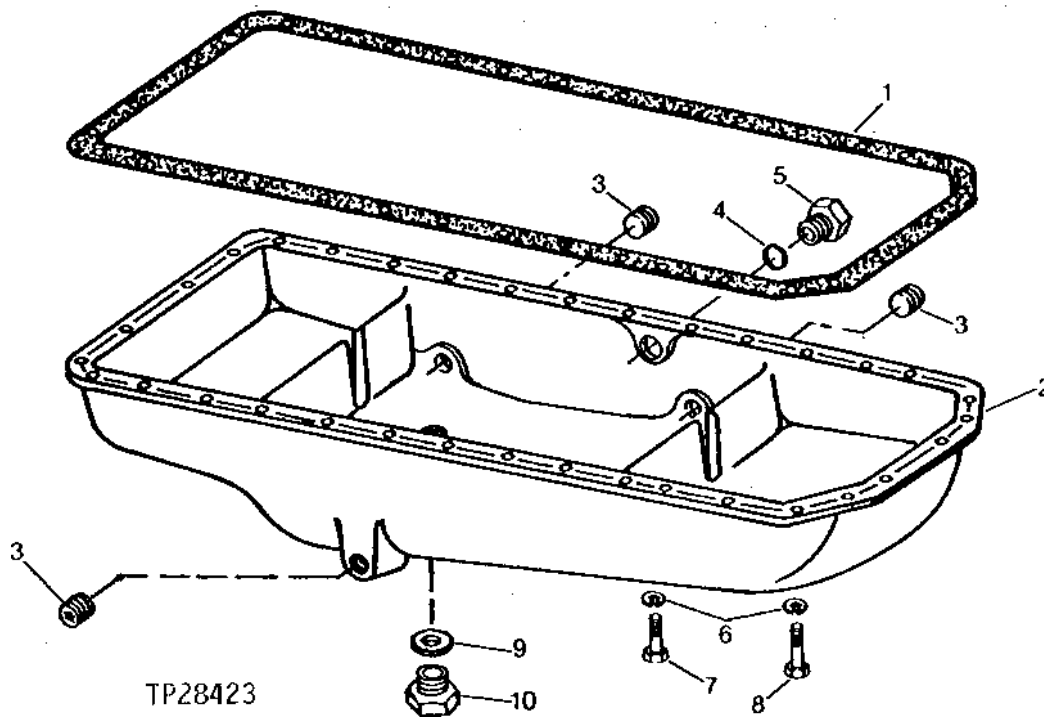


KEY	PART NO.	PART NAME	QTY	ENGINE SERIAL NO.	REMARKS
1	19M8987	SCREW	2	M8 X 65	
2	COVER	1		
3	GEAR	1		
4	HOUSING	1		
5	GEAR	1		
6	RE502269	OIL PUMP	1		(MARKED R123179) (SUB FOR RE70153 MARKED R123179 AND RE59582 MARKED R123179)
7	R121376	TUBE	1		
8	R97185	O-RING	1		
9	R61871	O-RING	1		
10	RE71143	OIL PUMP INTAKE	1		(SUB FOR RE58862)
11	19M8986	SCREW	2	M8 X 100	
12	14M7066	NUT	1	M12	
13	R120638	GEAR	1	(30 TEETH)	

1E21

6359 AND 6068 ENGINES

ENGINE OIL PAN
 (6359AH001)
 (ENGINE SERIAL NO. -337245)
 TP28423 -UN-01JAN94

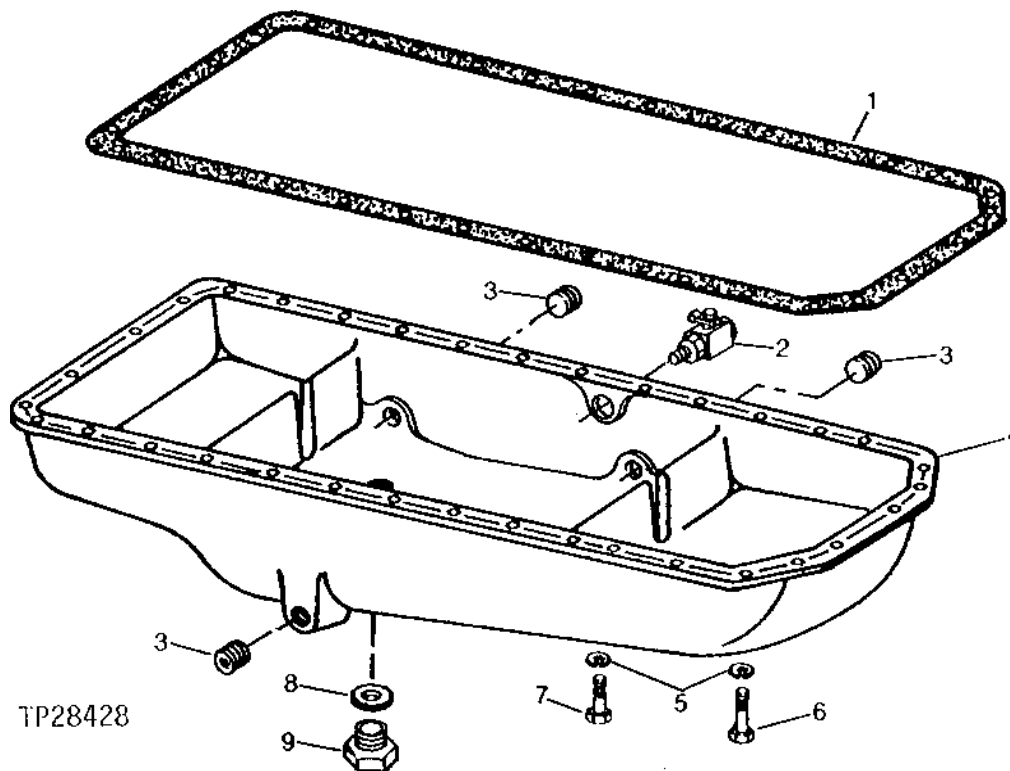


KEY	PART NO.	PART NAME	QTY	ENGINE SERIAL NO.	REMARKS
1	R97344	GASKET	1		OIL PAN, (SUB FOR T20205)
2	R135058	OIL PAN	1		(SUB FOR R91455 AND R106045) (ALSO ORDER (2) 19H3727)
3	15H624	PIPE PLUG	3		1/2"
4	R47151	O-RING	1		
5	R27474	DRAIN PLUG	1		
6	12H304	LOCK WASHER	8		3/8"
7	19H3411	CAP SCREW	22		3/8" X 1-1/8"
	19H3065	CAP SCREW	2		3/8" X 2"
	19H3727	CAP SCREW	4		3/8" X 2"
8	19H2633	CAP SCREW	4		3/8" X 1-1/2"
	19H3239	CAP SCREW	2		3/8" X 1-1/4"
9	T13213	WASHER	1		(USE WITH R106045)
10	M1746T	DRAIN PLUG	1		(USE WITH R106045)

1E22

6359 AND 6068 ENGINES

ENGINE OIL PAN
 (6068HH001)
 (ENGINE SERIAL NO.337246-701275)
 TP28428 -UN-01JAN94

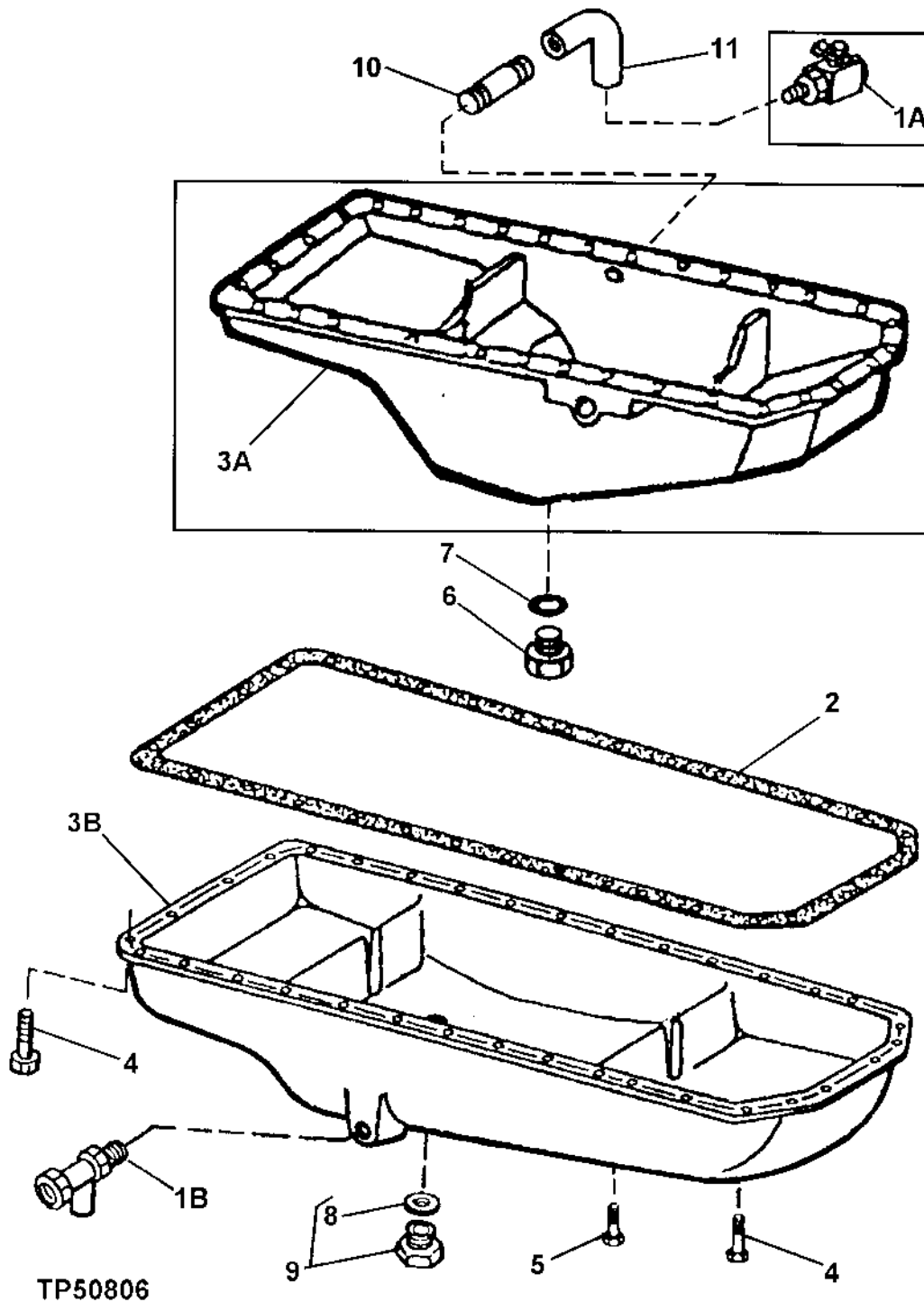


KEY	PART NO.	PART NAME	QTY	ENGINE SERIAL NO.	REMARKS
1	R97344	GASKET	1		OIL PAN, (SUB FOR T20205)
2	RE38065	VALVE	1		
3	15H624	PIPE PLUG	3		1/2"
4	R135058	OIL PAN	1		(SUB FOR R91455 AND R106045) (ALSO ORDER (2) 19H3727) (USE IF AVAILABLE)
5	12H304	LOCK WASHER	8		3/8"
6	19H2633	CAP SCREW	4		3/8" X 1-1/2"
	19H3411	CAP SCREW	2		3/8" X 1-1/8"
7	19H3411	CAP SCREW	28		3/8" X 1-1/8"
	19H3065	CAP SCREW	2		3/8" X 2"
	19H3411	CAP SCREW	22		3/8" X 1-1/8", (SUB FOR R135058)
	19H3727	CAP SCREW	4		3/8" X 2", (USE WITH R135058)
8	T13213	WASHER	1		
9	M1746T	DRAIN PLUG	1		

1E23

6359 AND 6068 ENGINES

ENGINE OIL PAN
(6068HH050)(ENGINE SERIAL NO.701276-)
TP50806 -UN-09APR98



1E24

6359 AND 6068 ENGINES

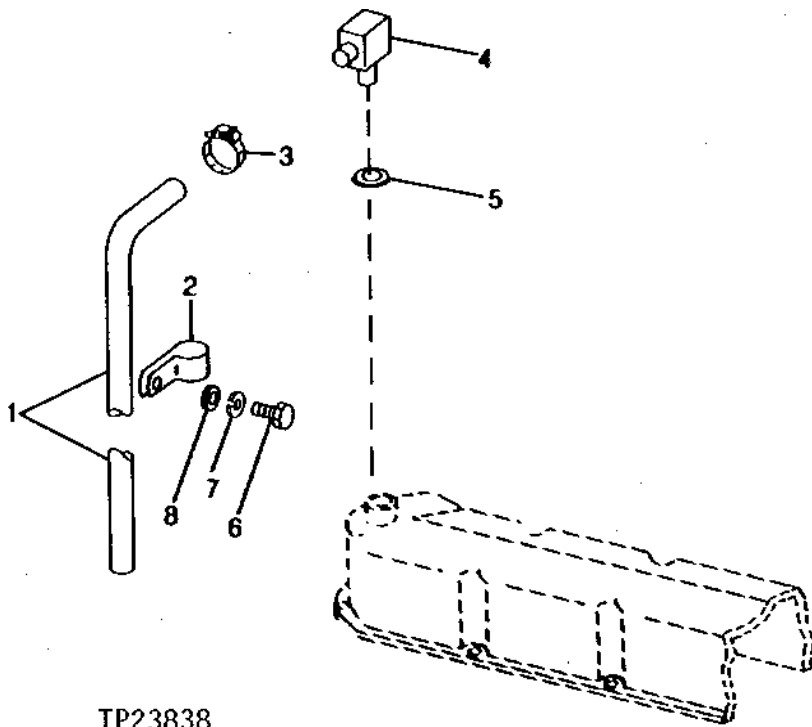
ENGINE OIL PAN
(6068HH050)
(ENGINE SERIAL NO.701276-)

KEY	PART NO.	PART NAME	QTY	ENGINE SERIAL NO.	REMARKS
1A	RE38065	VALVE	1		(SUB RE32856, 15H594 AND 29H593) (USE WITH R135057)
	RE32856	VALVE	1		(USE WITH R135057)
1B	RE59597	DRAIN VALVE	1		(USE WITH R134725)
2	R123354	GASKET	1		
3A	R135057	OIL PAN	1		(MARKED R135057)
3B	R134725	OIL PAN	1		(MARKED R134725)
4	19M7867	SCREW	26		M8 X 25
5	19M7799	SCREW	4		M8 X 45
6	M1746T	DRAIN PLUG	1		(USE WITH R135057)
7	T13213	WASHER	1		22.631 X 30.175 X 1.626 MM (57/64" X 1-3/16" X 0.064") (USE WITH R135057)
	51M7043	O-RING	1		15.300 X 2.200 MM, (USE WITH R135057)
8	51M7043	O-RING	1		15.300 X 2.200 MM, (USE WITH R134725)
9	RE46685	PLUG	1		(USE WITH R134725)
10	15H594	ELBOW FITTING	1		3/4", (USE WITH RE32856)
11	29H593	THREADED NIPPLE	1		1/2", (USE WITH RE32856)

1E25

6359 AND 6068 ENGINES

ENGINE VENTILATOR TUBE
 (6359AH001)(ENGINE SERIAL NO. -337245)
 (6068HH001)(ENGINE SERIAL NO.337246-701275)
 TP23838 -UN-01JAN94



TP23838

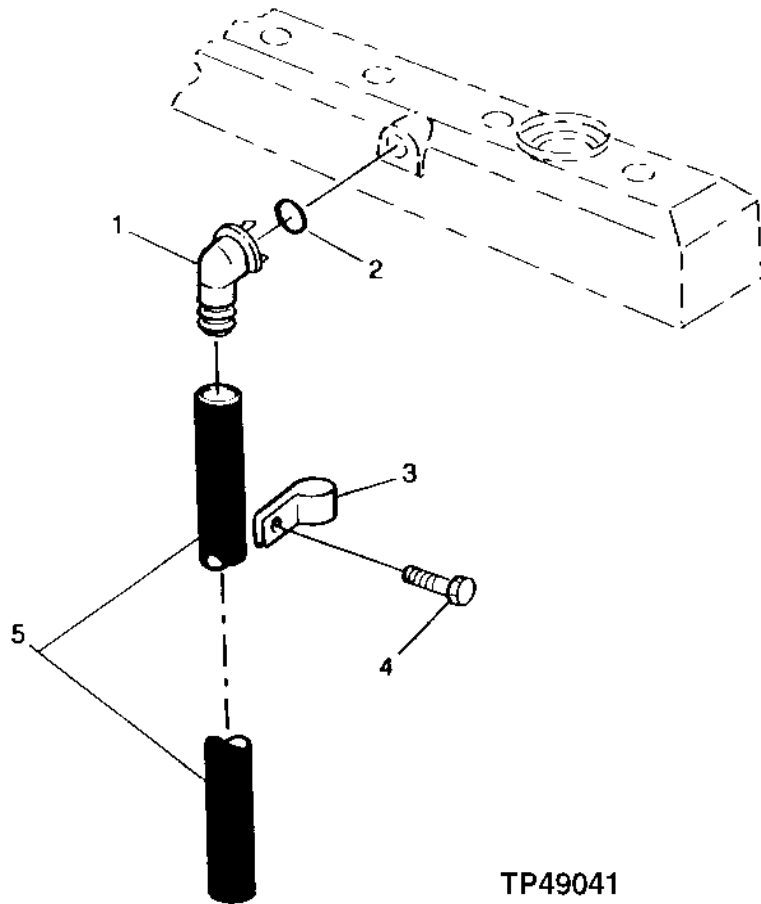
KEY	PART NO.	PART NAME	QTY	ENGINE SERIAL NO.	REMARKS
1	H36031	HOSE	1		
2	R72659	CLAMP	1		(SUB FOR T35699, THIS APPLICATION)
3	RE65978	CLAMP	1		
4	R92154	ELBOW FITTING	1		(SUB FOR AT25192)
5	R56463	O-RING	1		
6	T34037	SCREW	1		3/8" X 0.620", (SUB FOR 19H2284, THIS APPLICATION)
7	12H304	LOCK WASHER	AR		3/8"
8	24M7096	WASHER	AR		10.500 X 18 X 1.600 MM

MEMORANDA

1F1

6359 AND 6068 ENGINES

ENGINE VENTILATING SYSTEM
(6068HH050)
(ENGINE SERIAL NO.701276-)
TP49041 -UN-06SEP95



TP49041

1F2

6359 AND 6068 ENGINES

ENGINE VENTILATING SYSTEM
(6068HH050)
(ENGINE SERIAL NO.701276-)

KEY	PART NO.	PART NAME	QTY	ENGINE SERIAL NO.	REMARKS
1	R120467	ELBOW FITTING	1		
2	R72328	O-RING	1		
3	R72659	CLAMP	1		18.720 X 2.616 MM (0.737" X 0.103")
4	19M7866	SCREW	1		M8 X 20
5	H36031	HOSE	1		

1F3

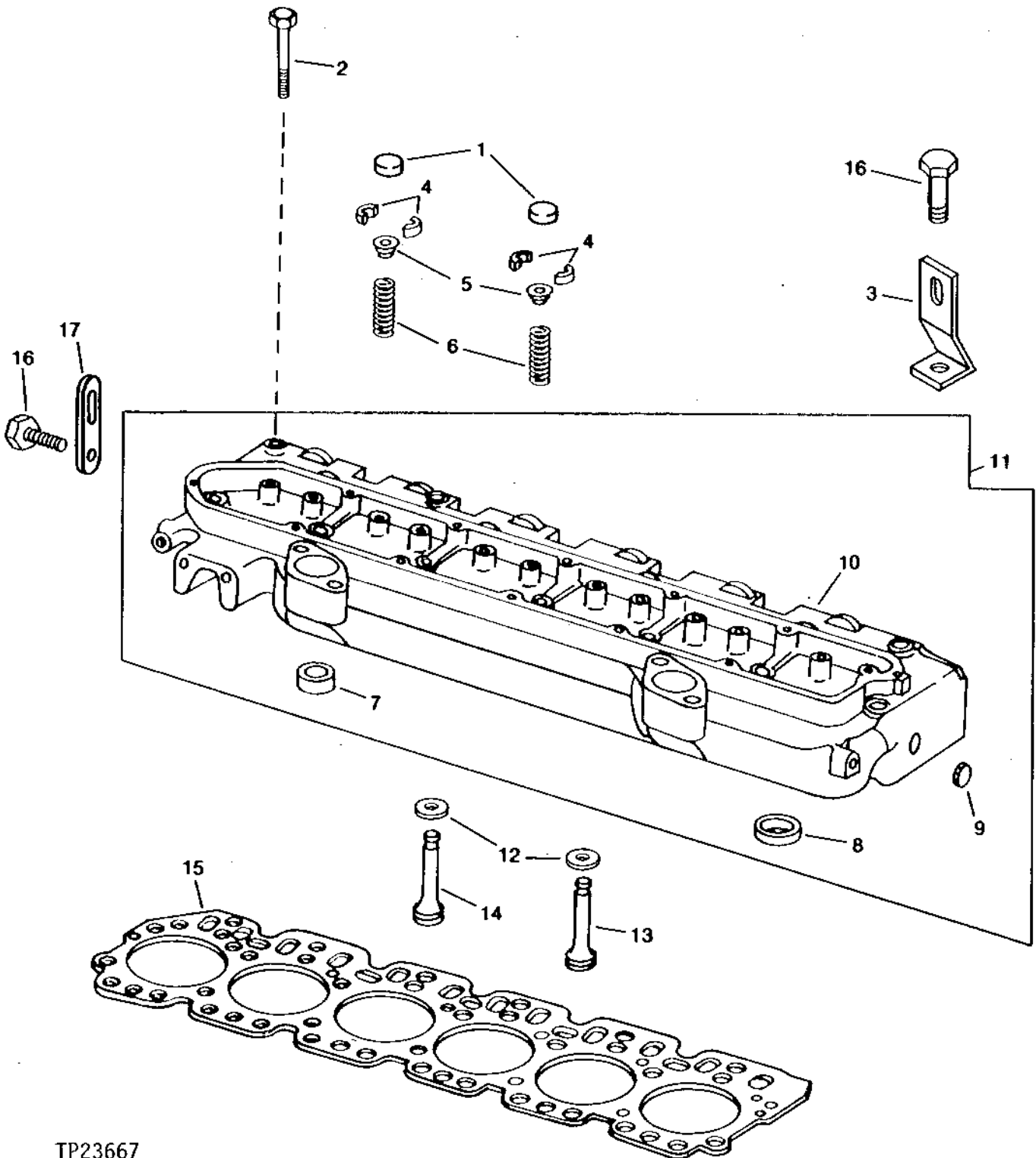
6359 AND 6068 ENGINES

CYLINDER HEAD, HEAD GASKET AND VALVES

(6359AH001)

(ENGINE SERIAL NO. -337245)

TP23667 -UN-01JAN94



TP23667

1F4

6359 AND 6068 ENGINES

**CYLINDER HEAD, HEAD GASKET AND VALVES
(6359) - CONTINUED
(ENGINE SERIAL NO. -337245)**

KEY	PART NO.	PART NAME	QTY	ENGINE SERIAL NO.	REMARKS
1	T20129	CAP	12		
2	R85363	CAP SCREW	26		
3	R82855	SHACKLE	1		
4	T20077	RETAINER	24		
5	RE11410	ROTATOR	12		EXHAUST VALVE
6	R26125	SPRING	12		
7	R57079	VALVE SEAT INSERT	6		INTAKE VALVE
8	R51734	VALVE SEAT INSERT	6		EXHAUST VALVE
9	CD16284	CAP	2		
10	CYLINDER HEAD	12		(MARKED R61035)
11	AR73979	CYLINDER HEAD	1		(MARKED R61035) (SUB RE56303)
12	R87627	O-RING	12		
13	R79624	EXHAUST VALVE	6		STANDARD
	R79625	EXHAUST VALVE	6		(.003") OVERSIZE
	R79626	EXHAUST VALVE	6		(.015") OVERSIZE
	R79627	EXHAUST VALVE	6		(.030") OVERSIZE
14	R89219	INTAKE VALVE	6		STANDARD
	R89220	INTAKE VALVE	6		(.003") OVERSIZE
	R89221	INTAKE VALVE	6		(.015") OVERSIZE
	INTAKE VALVE	6		(R89222 NO LONGER AVAILABLE) (.030") OVERSIZE
15	R91880	GASKET	1		
16	19H3385	CAP SCREW	2		1/2" X 1-1/8"
17	R108866	SHACKLE	1		

1F5

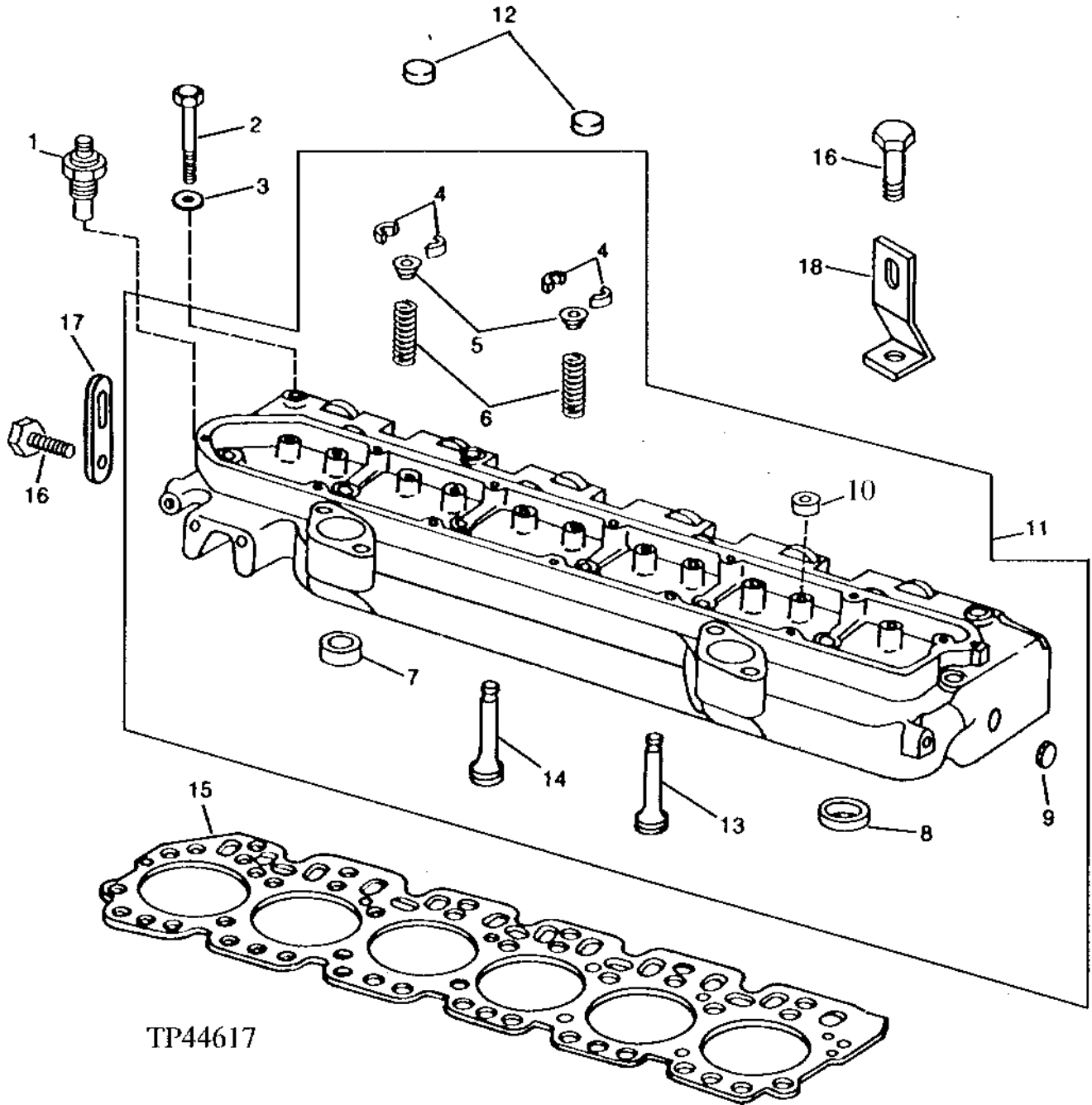
6359 AND 6068 ENGINES

REPLACEMENT CYLINDER HEAD AND VALVES

(6359AH001)

(ENGINE SERIAL NO. 337245)

TP44617 -UN-01JAN94



TP44617

1F6

6359 AND 6068 ENGINES

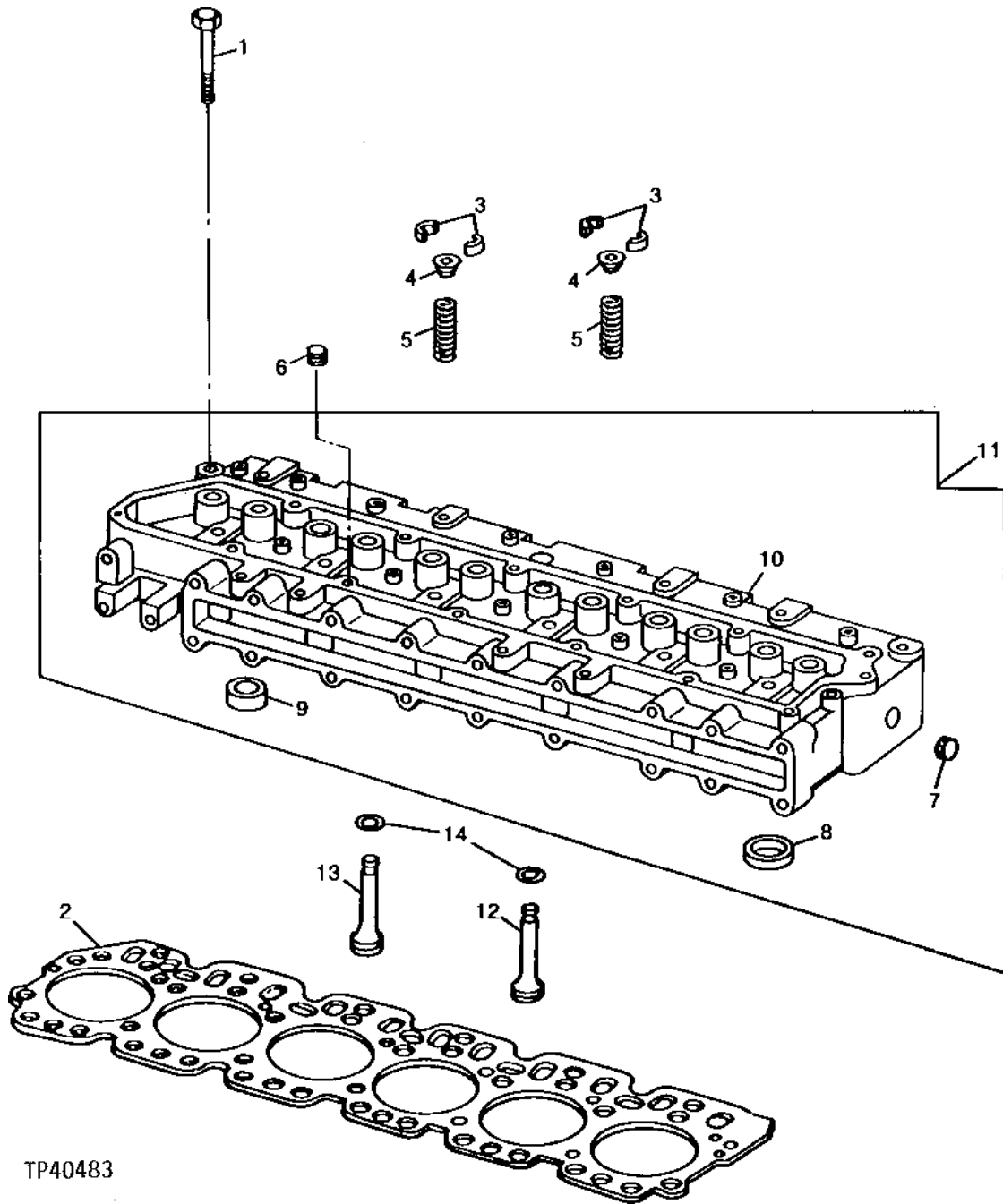
**REPLACEMENT CYLINDER HEAD AND VALVES
(ENGINE SERIAL NO. -337245)**

KEY	PART NO.	PART NAME	QTY	ENGINE SERIAL NO.	REMARKS
1	SENDER	1		ENGINE TEMPERATURE
2	R85363	CAP SCREW	26		(SUB FOR R78558)
3	T20168	WASHER	26		(DO NOT USE WITH R85363)
4	T20077	RETAINER	24		
5	RE11410	ROTATOR	12		EXHAUST VALVE
6	R26125	SPRING	12		
7	R57079	VALVE SEAT INSERT	6		INTAKE VALVE
8	R51734	VALVE SEAT INSERT	6		EXHAUST VALVE
9	CD16284	CAP	2		
10	R110524	SEAL	12		
11	RE56303	CYLINDER HEAD	1		(MARKED R61035)
12	T20129	CAP	12		
13	R79624	EXHAUST VALVE	6		STANDARD
14	R89219	INTAKE VALVE	6		STANDARD
15	R91880	GASKET	1		
16	19H3385	CAP SCREW	2		1/2" X 1-1/8"
17	T26509	STRAP	1		
18	R62380	STRAP	1		(SUB FOR T26508, THIS APPLICATION)

1F7

6359 AND 6068 ENGINES

CYLINDER HEAD, HEAD GASKET AND VALVES
(6068HH001)
(ENGINE SERIAL NO. 337246-701275)
TP40483 -UN-26OCT94



1F8

6359 AND 6068 ENGINES

CYLINDER HEAD, HEAD GASKET AND VALVES
(6068HH001)
(ENGINE SERIAL NO. 337246-701275)

KEY	PART NO.	PART NAME	QTY	ENGINE SERIAL NO.	REMARKS
1	R85363	CAP SCREW	26		
2	R114157	ENGINE CYLINDER HEAD GASKET	1		(SUB FOR R92426)
3	R91889	RETAINER	24		
4	RE60005	ROTATOR	12		(SUB FOR RE31323)
5	R26125	SPRING	12		
6	R104592	PIPE PLUG	1		
7	A3910R	CAP	2		
8	R98063	VALVE SEAT INSERT	6		STANDARD SIZE INTAKE VALVE
	R98335	VALVE SEAT INSERT	6		OVERSIZE INTAKE VALVE
9	R85687	VALVE SEAT INSERT	6		STANDARD SIZE EXHAUST VALVE
	R93910	VALVE SEAT INSERT	6		OVERSIZE EXHAUST VALVE
10	CYLINDER HEAD	1		(SUB RE25431)
11	RE25431	CYLINDER HEAD	1		(MARKED R85685)
12	R90692	EXHAUST VALVE	6		STANDARD
	R97492	EXHAUST VALVE	6		0.38 MM (.015") OVERSIZE
	R97493	EXHAUST VALVE	6		0.76 MM (.030") OVERSIZE
13	R98062	INTAKE VALVE	6		STANDARD
	R97490	INTAKE VALVE	6		0.38 MM (.015") OVERSIZE
	R97491	INTAKE VALVE	6		0.76 MM (.030") OVERSIZE
14	RE31617	SEAL	12		

1F9

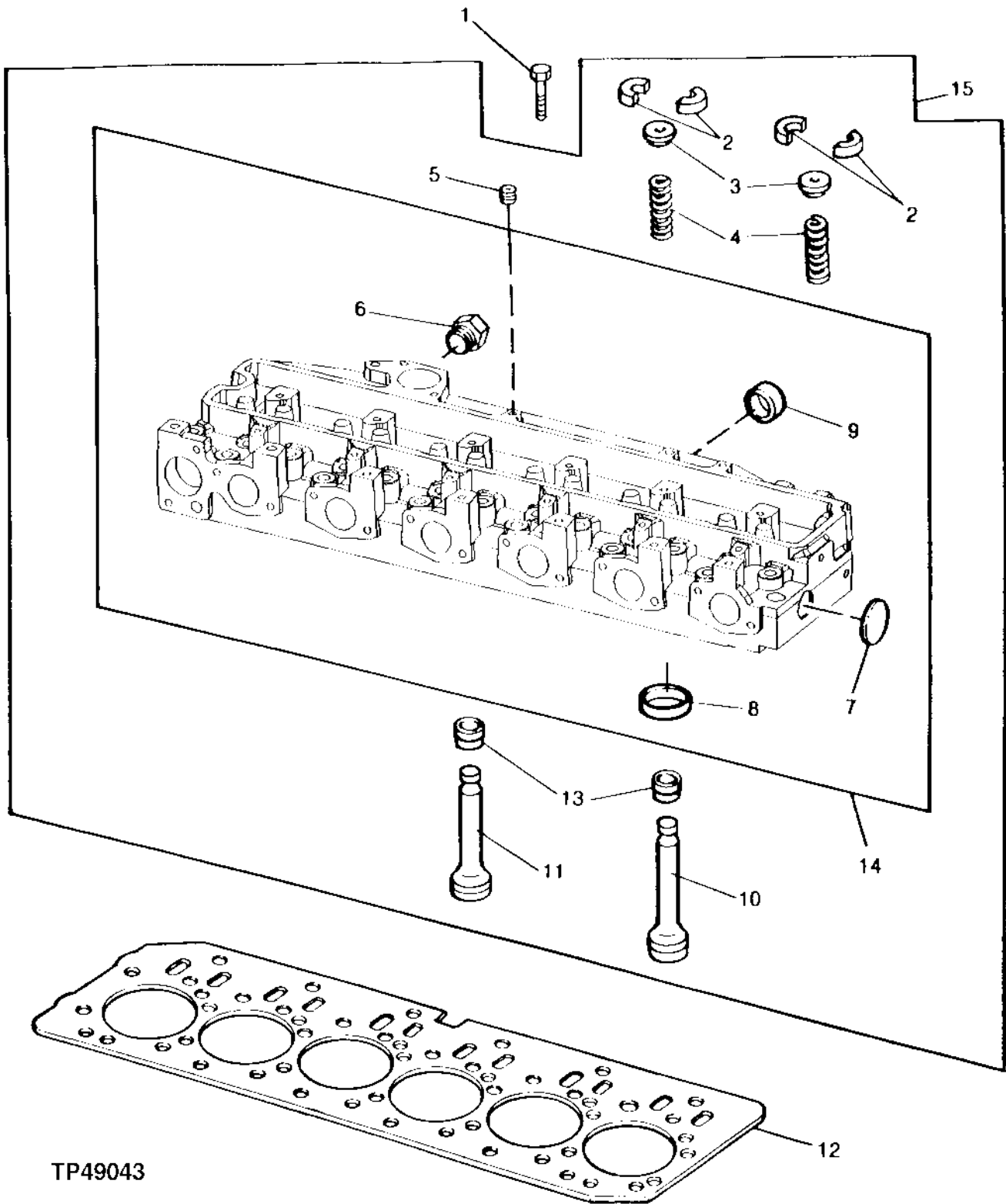
6359 AND 6068 ENGINES

CYLINDER HEAD, HEAD GASKET AND VALVES

(6068HH050)

(ENGINE SERIAL NO.701276-)

TP49043 -UN-06SEP95



TP49043

1F10

6359 AND 6068 ENGINES

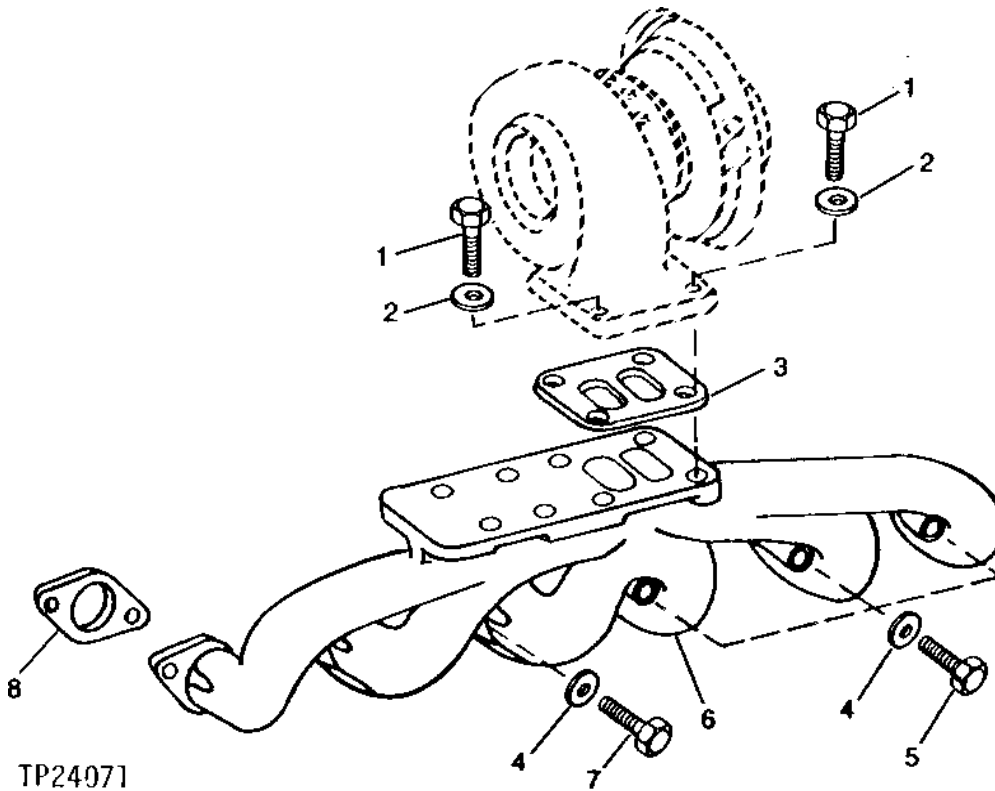
CYLINDER HEAD, HEAD GASKET AND VALVES
(6068HH050)
(ENGINE SERIAL NO.701276-)

KEY	PART NO.	PART NAME	QTY	ENGINE SERIAL NO.	REMARKS
1	R85363	CAP SCREW	26		
2	R91889	RETAINER	24		
3	RE60005	ROTATOR	12		
4	R26125	SPRING	12		
5	R104592	PIPE PLUG	1		
6	T58477	FITTING	1		
7	CD16284	CAP	1		
8	R98063	VALVE SEAT INSERT	6		STANDARD SIZE INTAKE VALVE
	R98335	VALVE SEAT INSERT	6		OVERSIZE INTAKE VALVE
	R85687	VALVE SEAT INSERT	6		STANDARD SIZE EXHAUST VALVE
	R93910	VALVE SEAT INSERT	6		OVERSIZE EXHAUST VALVE
9	R43409	CAP	3		
10	R90692	EXHAUST VALVE	6		STANDARD
11	R98062	INTAKE VALVE	6		STANDARD
12	R116516	ENGINE CYLINDER HEAD GASKET	1		
13	RE31617	SEAL	12		
14	CYLINDER HEAD	1		(MARKED R121608)
15	RE57489	CYLINDER HEAD	1		(MARKED R121608)

1F11

6359 AND 6068 ENGINES

EXHAUST MANIFOLD AND ELBOW
 (6359AH001)(ENGINE SERIAL NO. -337245)
 (6068HH001)(ENGINE SERIAL NO.337246-701275)
 TP24071 -UN-01JAN94

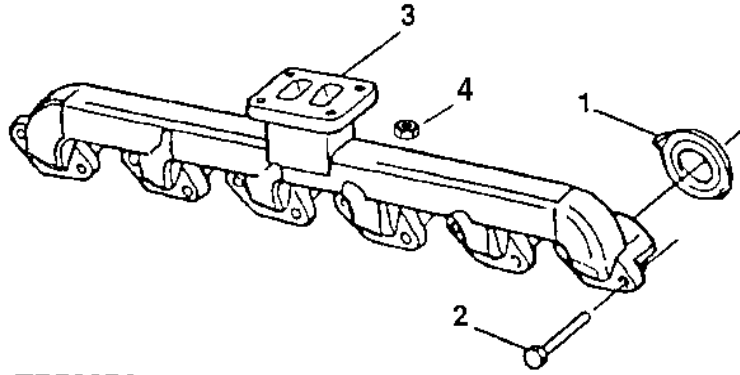


KEY	PART NO.	PART NAME	QTY	ENGINE SERIAL NO.	REMARKS
1	RE57724	EYEBOLT	4		(SUB FOR R54500, THIS APPLICATION)
2	24H1305	WASHER	8		13/32" X 13/16" X 0.065"
3	R123572	GASKET	1		(SUB FOR R89879, THIS APPLICATION)
4	24M7106	WASHER	AR		10 X 18 X 2.500 MM
5	19H3736	CAP SCREW	3		3/8" X 3-1/2"
6	T30818	EXHAUST MANIFOLD	1		
7	19H3411	CAP SCREW	9		3/8" X 1-1/8", (SUB FOR 19H3239, THIS APPLICATION)
8	R90658	GASKET	6		

1F12

6359 AND 6068 ENGINES

EXHAUST MANIFOLD
(6068HH050)
TP53354 -UN-04NOV96



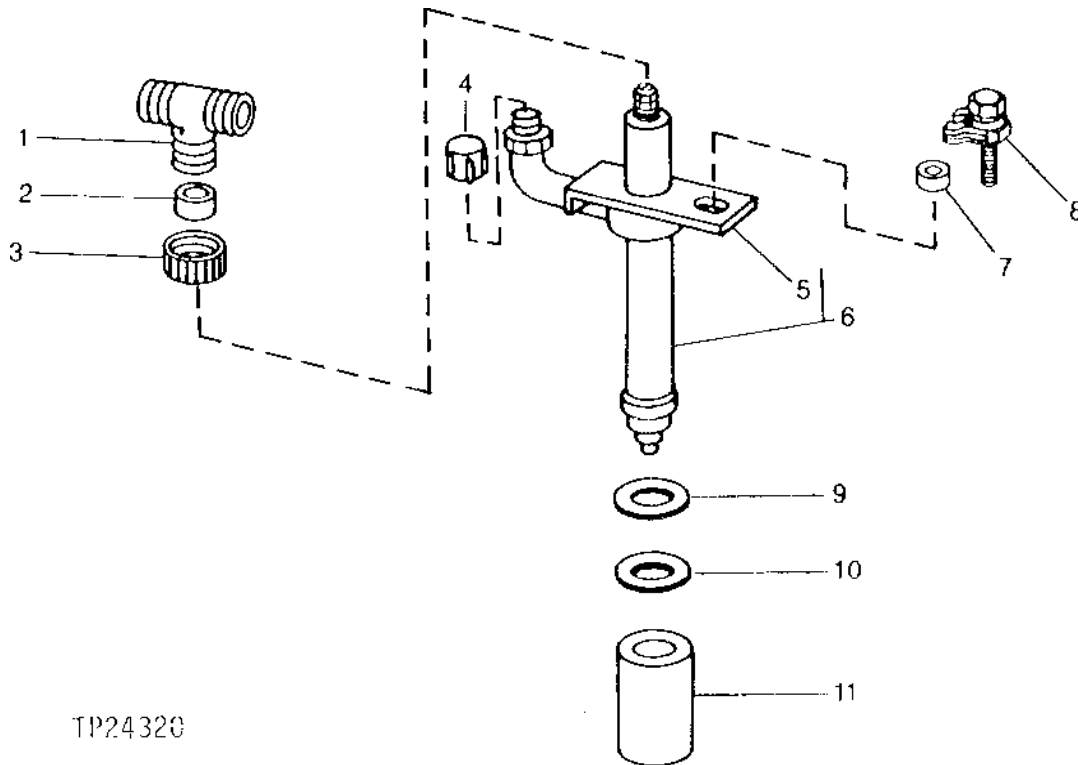
TP53354

KEY	PART NO.	PART NAME	QTY	ENGINE SERIAL NO.	REMARKS
1	R132203	EXHAUST MANIFOLD	1		
2	R90658	GASKET	6		
3	19M7810	SCREW	12	M10 X 80	
4	14M7296	FLANGE NUT	4	M10	

1F13

6359 AND 6068 ENGINES

FUEL INJECTION NOZZLE
(6359AH001)
(ENGINE SERIAL NO. -337245)
 TP24320 -UN-01JAN94



TP24320

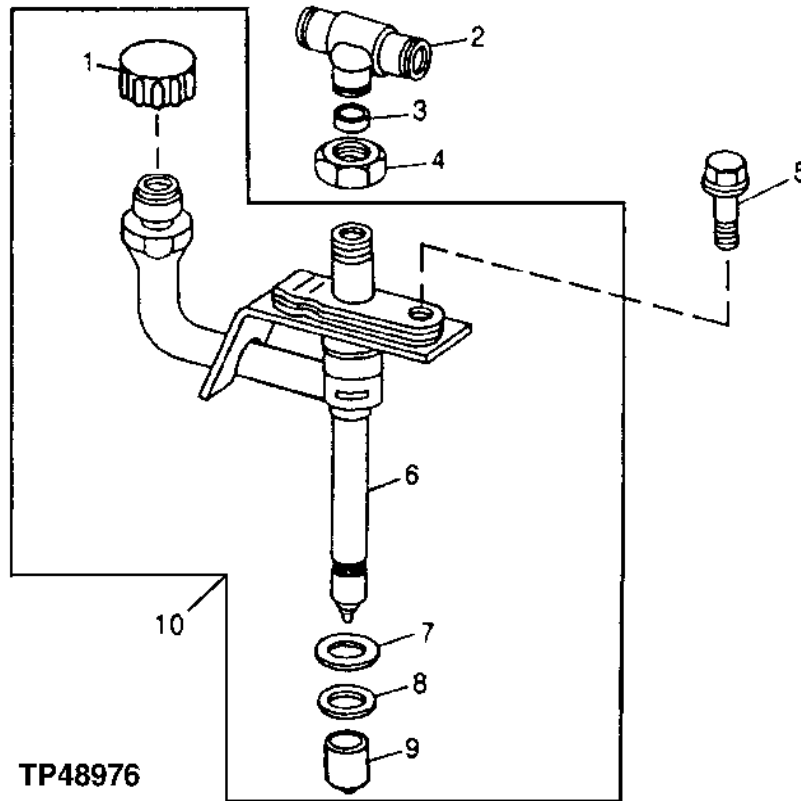
KEY	PART NO.	PART NAME	QTY	ENGINE SERIAL NO.	REMARKS
1	R79606	TEE FITTING	1		
2	R79605	WASHER	1		
3	R79604	TUBE NUT	1		
4	T31174	PLUG	1		(USE FOR SERVICING NOZZLE)
5	R67779	CLAMP	1		
6	RE37503	INJECTION NOZZLE	1		(STANADYNE NO. 26993)
7	R92351	SPACER	1		(K)
8	R34760	CLAMP	1		WITH SCREW AND WASHER
9	R92352	PACKING	1		(K)
10	R48000	WASHER	1		(K) (USE WITH OVERSIZE NOZZLE BORE)
	R500390	WASHER	1		(USE WITH STANDARD NOZZLE BORE)
11	T24472	PLUG	1		(USE FOR SERVICING NOZZLE)

(K) RE32011 NOZZLE SEAL KIT

1F14

6359 AND 6068 ENGINES

FUEL INJECTION NOZZLE
(6068HH001)
(ENGINE SERIAL NO. 337246-701275)
 TP48976 -UN-26OCT96



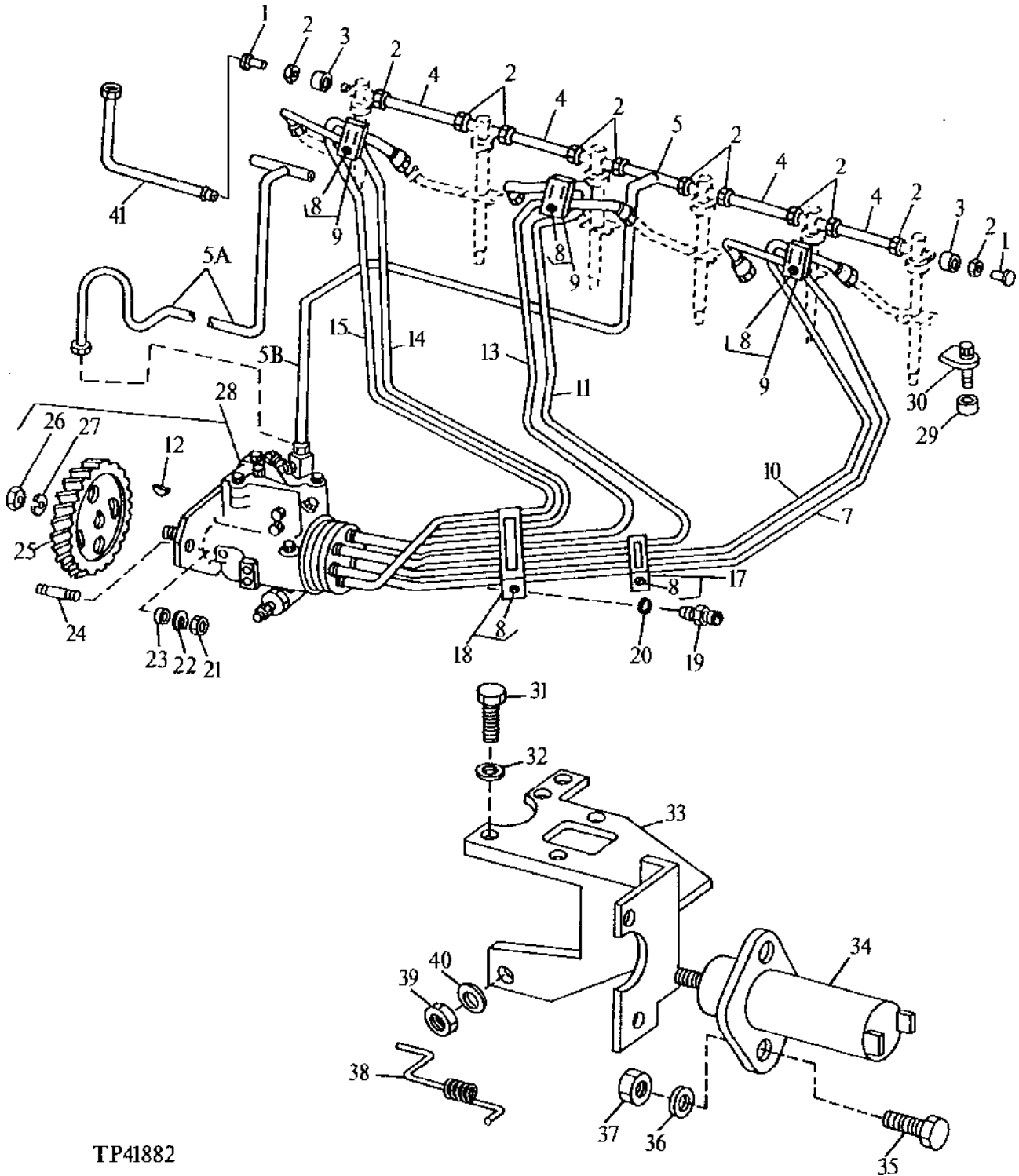
TP48976

KEY	PART NO.	PART NAME	QTY	ENGINE SERIAL NO.	REMARKS
1	T31174	PLUG	1		(USE FOR SERVICING NOZZLE)
2	R79606	TEE FITTING	1		
3	R79605	WASHER	1		
4	R79604	TUBE NUT	1		
5	R101201	CAP SCREW	1		
6	NOZZLE	1		(SUB RE48786)
7	R92352	PACKING	1		
8	R48000	WASHER	1		(USE WITH OVERSIZE NOZZLE BORE) (NOT INCLUDED WITH RE48786)
	R500390	WASHER	1		(USE WITH STANDARD NOZZLE BORE)
9	T24472	PLUG	1		
10	RE48786	INJECTION NOZZLE	1		

1F15

6359 AND 6068 ENGINES

FUEL INJECTION SYSTEM
(ENGINE SERIAL NO. -228966)
(6359TH001)
TP41882 -UN-26OCT94



TP41882

1F16

6359 AND 6068 ENGINES

FUEL INJECTION SYSTEM - CONTINUED
(ENGINE SERIAL NO. -228966)
(6359TH001)

KEY	PART NO.	PART NAME	QTY	ENGINE SERIAL NO.	REMARKS
1	16H658	RIVET	1		1/4" X 5/8"
2	R51937	TUBE NUT	12		
3	R51936	PACKING	12		
4	R66090	TUBE	4		LEAK-OFF
5	AR89852	FUEL LINE	1		LEAK-OFF
5A	RE19714	FUEL LINE	1	-XXXXXX	
5B	AR89852	FUEL LINE	1	XXXXXX-	
6	16H658	RIVET	1		1/4" X 5/8"
7	RE29652	FUEL LINE	1		NO. 5
8	19M7300	CAP SCREW	5		M6 X 10
9	RE19797	CLAMP	3		
10	RE29653	FUEL LINE	1		NO. 6
11	RE21421	FUEL LINE	1		NO. 3
12	26H10	SHAFT KEY	1		5/32" X 5/8"
13	RE21422	FUEL LINE	1		NO. 4
14	RE29650	FUEL LINE	1		NO. 1
15	RE29651	FUEL LINE	1		NO. 2
16	R35352	FITTING	1		
17	RE20901	CLAMP	1		LINES 3, 5 AND 6
18	RE19800	CLAMP	1		
19	R27272	FITTING	1		
20	R26286	O-RING	1		
21	14H785	NUT	3		5/16"
22	12H303	LOCK WASHER	3		5/16"
23	T27860	WASHER	3		
24	R56055	STUD	3		
25	R56056	GEAR	1		(48 TEETH)
26	R56422	NUT	1		
27	R56423	WASHER	1		
28	RE48392	FUEL INJECTION PUMP	1		(A) (STANADYNE NO.) (SUB FOR RE32973) (STANADYNE NO.) (K)
29	R92351	SPACER	6		
30	R34760	CLAMP	6		
31	CAP SCREW	4		
32	RETAINING WASHER	4		
33	BRACKET	1		
34	RE38463	SOLENOID	1		FUEL INJECTION PUMP SHUT-OFF
35	CAP SCREW	2		
36	RETAINING WASHER	2		
37	BOLT AND NUT	2		
38	RE44309	SPRING	1		(SUB FOR R105362)
39	BOLT AND NUT	1		
40	RETAINING WASHER	1		
41	AR104650	FUEL LINE	AR		

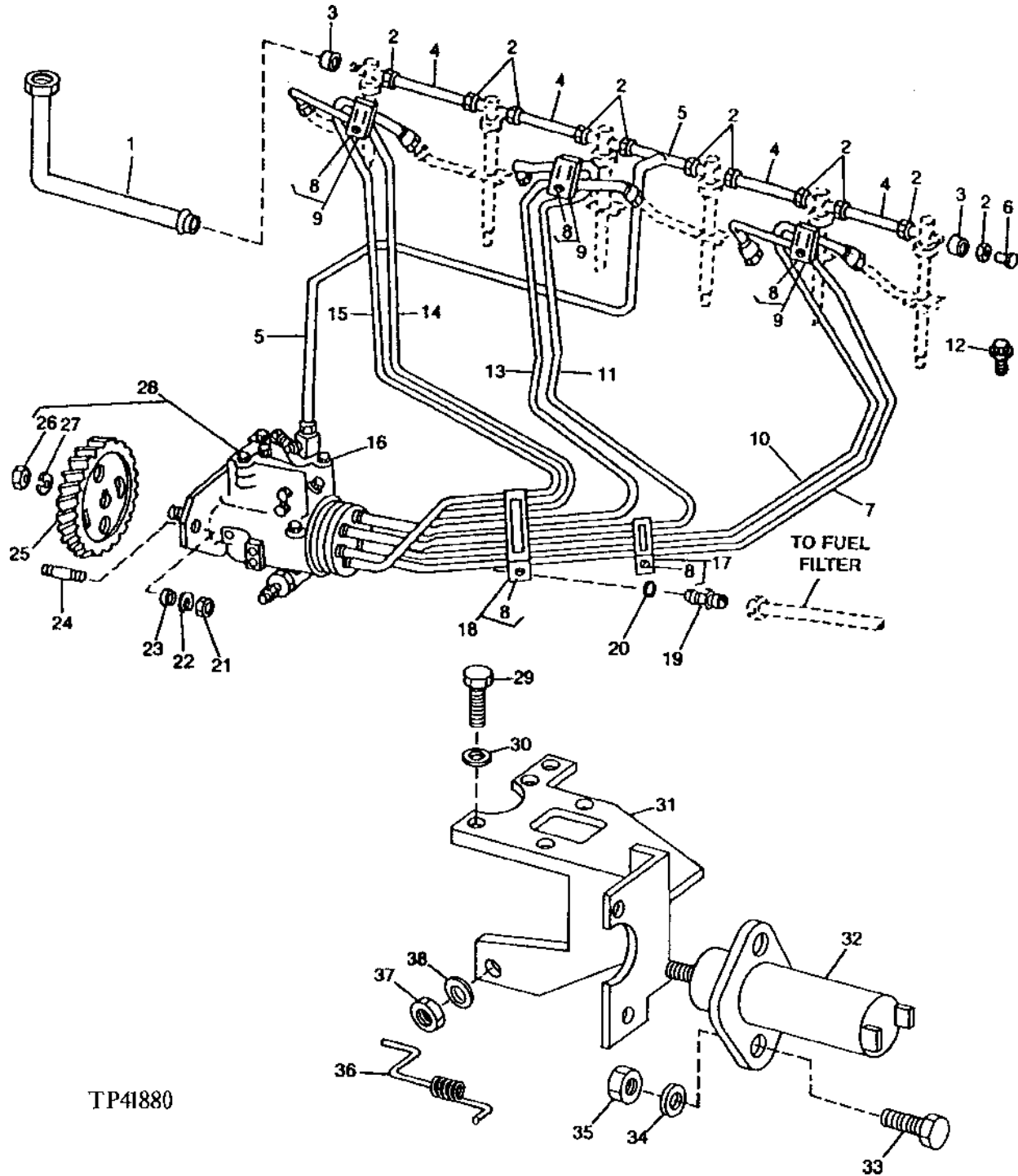
(A) SEE YOUR AUTHORIZED PUMP REPAIR STATION FOR INTERNAL PARTS

(K) KIT RE32011

1F17

6359 AND 6068 ENGINES

FUEL INJECTION SYSTEM
(6359AH001)
(ENGINE SERIAL NO. -337245)
TP41880 -UN-26OCT94



TP41880

1F18

6359 AND 6068 ENGINES

FUEL INJECTION SYSTEM
(6359AH001)
(ENGINE SERIAL NO. -337245)

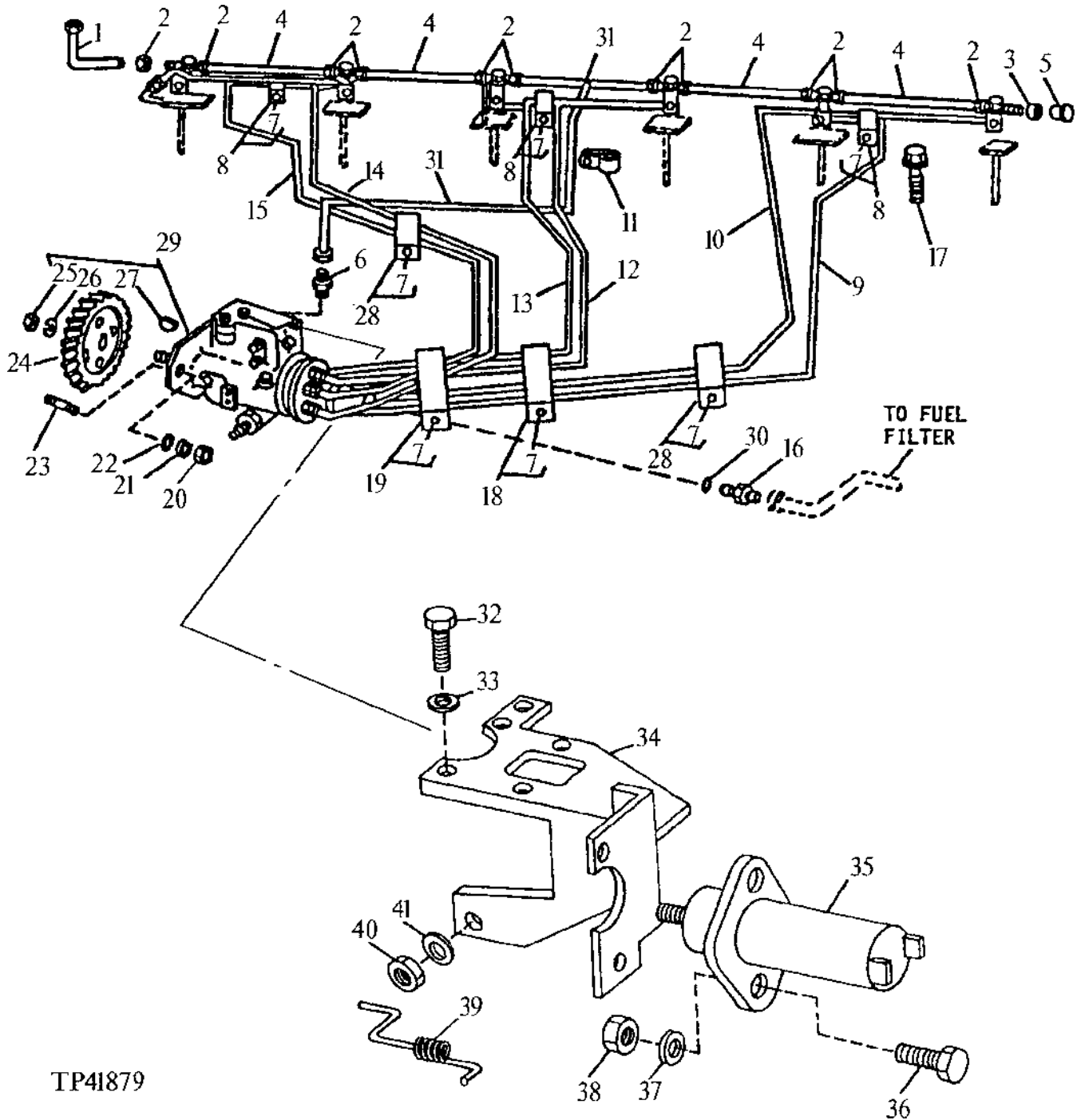
KEY	PART NO.	PART NAME	QTY	ENGINE SERIAL NO.	REMARKS
1	RE503092	FUEL LINE	1		LEAK-OFF, (SUB FOR AR104650)
2	R51937	TUBE NUT	11		
3	R51936	PACKING	11		
4	R66090	TUBE	4		LEAK-OFF
5	AR89852	FUEL LINE	1		LEAK-OFF
6	16H658	RIVET	1		1/4" X 5/8"
7	RE43298	FUEL LINE	1		NO. 5
8	19M7300	CAP SCREW	5		M6 X 10
9	RE19797	CLAMP	3		
10	RE43299	FUEL LINE	1		NO. 6
11	RE43296	FUEL LINE	1		NO. 3
12	R101201	CAP SCREW	6		
13	RE43297	FUEL LINE	1		NO. 4
14	RE43294	FUEL LINE	1		NO. 1
15	RE43295	FUEL LINE	1		NO. 2
16	R35352	FITTING	1		
17	RE20901	CLAMP	1		LINES 3, 5 AND 6
18	RE19800	CLAMP	1		
19	R27272	FITTING	1		
20	R26286	O-RING	1		
21	14H785	NUT	3		5/16"
22	12H303	LOCK WASHER	3		5/16"
23	T27860	WASHER	3		
24	T23442	STUD	3		
25	R104907	GEAR	1		(48 TEETH)
26	R91360	NUT	1		
27	R132874	WASHER	1		(SUB FOR R48600)
28	RE48393	FUEL INJECTION PUMP	1		(A) (STANADYNE NO.) (SUB FOR RE44404) (STANADYNE NO.)
29	CAP SCREW	4		
30	RETAINING WASHER	4		
31	BRACKET	1		
32	RE38463	SOLENOID	1		FUEL INJECTION PUMP SHUT-OFF
33	CAP SCREW	2		
34	RETAINING WASHER	2		
35	BOLT AND NUT	2		
36	RE44309	SPRING	1		
37	BOLT AND NUT	1		
38	RETAINING WASHER	1		

(A) SEE YOUR AUTHORIZED PUMP REPAIR STATION FOR INTERNAL PARTS

1F19

6359 AND 6068 ENGINES

FUEL INJECTION SYSTEM
(6068HH001)
(ENGINE SERIAL NO. 337246-701275)
TP41879 -UN-27OCT94



1F20

6359 AND 6068 ENGINES

FUEL INJECTION SYSTEM
(6068HH001)
(ENGINE SERIAL NO. 337246-701275)

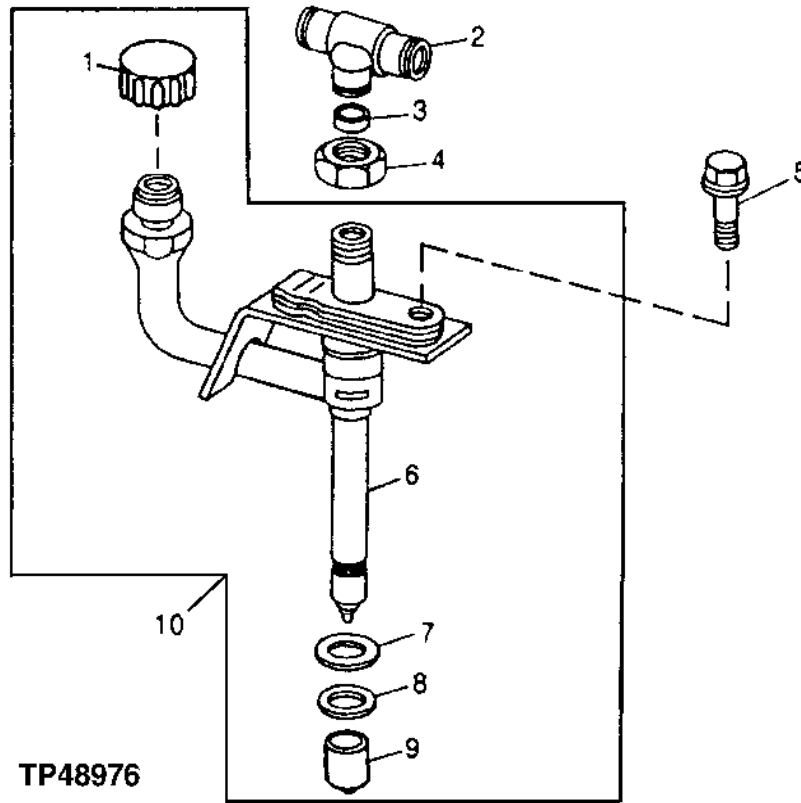
KEY	PART NO.	PART NAME	QTY	ENGINE SERIAL NO.	REMARKS
1	RE503092	FUEL LINE	1		(SUB FOR AR104650) LEAK-OFF(WITH LOW PROFILE TURBOCHARGER)
2	R51937	TUBE NUT	12		
3	R51936	PACKING	12		
4	R66090	TUBE	5		(WITH LOW PROFILE TURBOCHARGER)
	R66090	TUBE	4		(WITHOUT LOW PROFILE TURBOCHARGER)
5	AR85519	PLUG	1		(SUB FOR 16H658, THIS APPLICATION)
6	R35352	FITTING	1		(WITHOUT LOW PROFILE TURBOCHARGER)
7	19M7300	CAP SCREW	2		M6 X 10
	19M7923	CAP SCREW	5		M6 X 12, (USE WITH RE19797)
8	RE19797	CLAMP	3		
9	RE40386	FUEL LINE	1	-389613	NO. 5
	RE53860	FUEL LINE	1	389614-	NO.5
10	RE40387	FUEL LINE	1	-389613	NO. 6
	RE53861	FUEL LINE	1	389614-	NO.6
11	T29969	CLAMP	1		(WITHOUT LOW PROFILE TURBOCHARGER)
12	RE40384	FUEL LINE	1	-389613	NO. 3
	RE53858	FUEL LINE	1	389614-	NO.3
13	RE40385	FUEL LINE	1		NO. 4
	RE53859	FUEL LINE	1	389614-	NO.4
14	RE43986	FUEL LINE	1	-389613	NO. 1
	RE53856	FUEL LINE	1	389614-	NO.1
15	RE40383	FUEL LINE	1	-389613	NO. 2
	RE53857	FUEL LINE	1	389613-	NO.2
16	R27272	FITTING	1		
17	R101201	CAP SCREW	6		
18	RE19799	CLAMP	1		
19	RE19800	CLAMP	1		
20	14H785	NUT	3		5/16"
21	12H303	LOCK WASHER	3		5/16"
22	T27860	WASHER	3		
23	T23442	STUD	3		
24	R104907	GEAR	1		(48 TEETH)
25	R91360	NUT	1		
26	R132874	WASHER	1		(SUB FOR R48600)
27	M114270	SHAFT KEY	1		(SUB FOR R56424)
28	RE19797	CLAMP	2		(SUB FOR RE19798)
29	RE44667	FUEL INJECTION PUMP	1		(STANADYNE NO.)
30	R26286	O-RING	1		
31	AR85615	LINE	AR		(WITHOUT LOW PROFILE TURBOCHARGER)
32	CAP SCREW	4		
33	LOCK WASHER	4		
34	BRACKET	1		
35	RE38463	SOLENOID	1		FUEL INJECTION PUMP SHUT-OFF
36	CAP SCREW	2		
37	LOCK WASHER	2		
38	NUT	2		
39	RE44309	SPRING	1		
40	BOLT AND NUT	1		
41	RETAINING WASHER	1		

MEMORANDA

1F21

6359 AND 6068 ENGINES

FUEL INJECTION NOZZLE
(6068HH050)
(ENGINE SERIAL NO.701276-)
 TP48976 -UN-26OCT96



KEY	PART NO.	PART NAME	QTY	ENGINE SERIAL NO.	REMARKS
1	CAP/HAT	1		
2	R71963	TEE FITTING	1		
3	R79605	WASHER	1		
4	R79604	TUBE NUT	1		
5	R116366	SCREW	1		
6	NOZZLE	1		
7	R92352	PACKING	1		
8	R48000	WASHER	1		(USE WITH OVERSIZE NOZZLE BORE) (NOT INCLUDED WITH RE48786)
	R500390	WASHER	1		(USE WITH STANDARD NOZZLE BORE)
9	T24472	PLUG	1		
10	RE48786	INJECTION NOZZLE	1		

1F23

6359 AND 6068 ENGINES

FUEL INJECTION SYSTEM
(12 VOLT STANADYNE DB4)
(6068HH050)(ENGINE SERIAL NO.701276-)

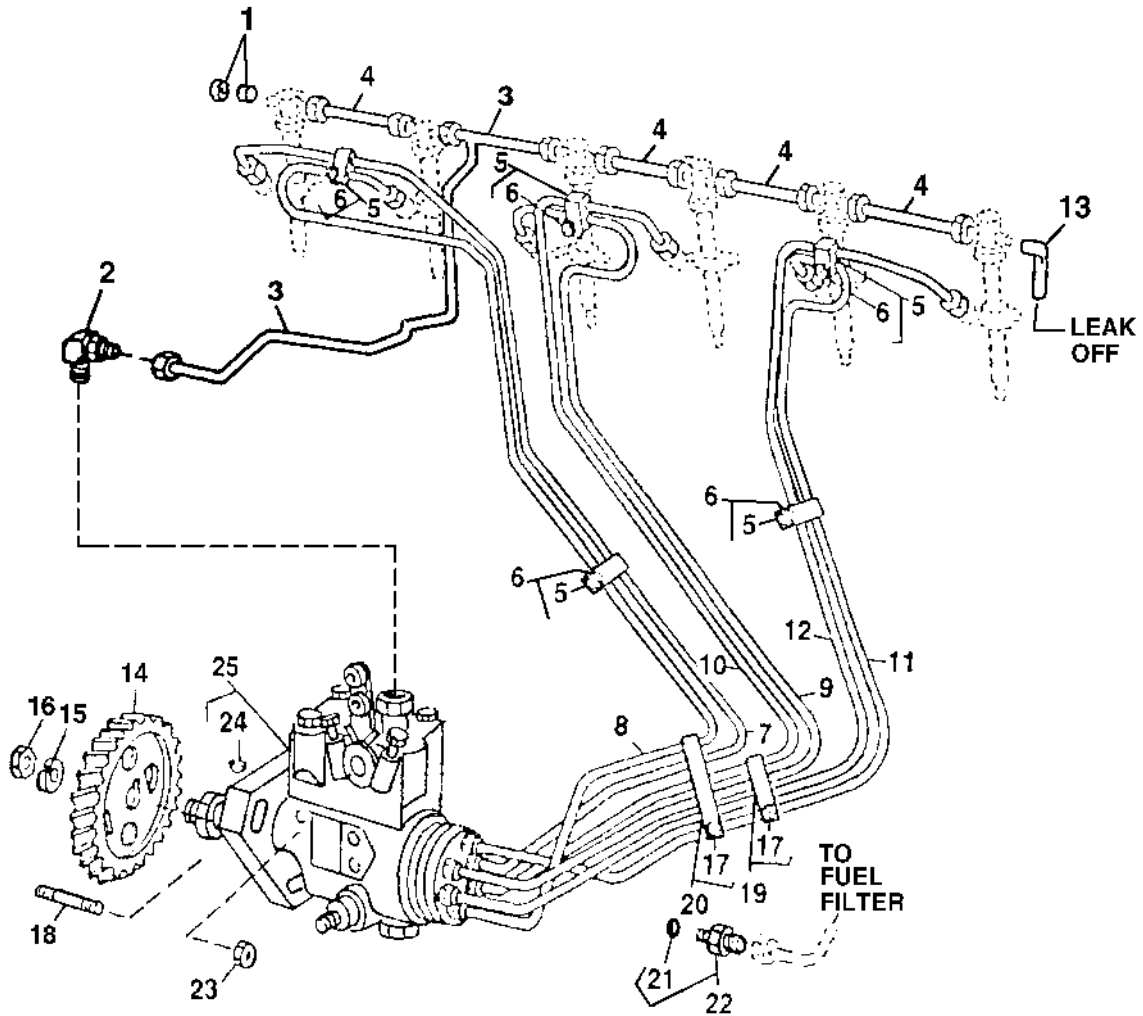
KEY	PART NO.	PART NAME	QTY	SERIAL NO.	REMARKS
1	AR85519	PLUG	1		
2	R67364	ELBOW FITTING	1		
3	RE70848	FUEL LINE	1		LEAK OFF
4	RE68748	TUBE	4		
5	RE19797	CLAMP	5		GREEN
6	19M7300	CAP SCREW	5		M6 X 10
7	RE60055	FUEL LINE	1		NO. 1
8	RE60056	FUEL LINE	1		NO. 2
9	RE60057	FUEL LINE	1		NO. 3
10	RE60058	FUEL LINE	1		NO. 4
11	RE60059	FUEL LINE	1		NO. 5
12	RE60060	FUEL LINE	1		NO. 6
13	RE503092	FUEL LINE	1		(SUB FOR AR104650) LEAK-OFF
14	R132267	GEAR	1		(60 TEETH)
15	R132874	WASHER	1		
16	R91360	NUT	1		
17	19M7300	CAP SCREW	3		M6 X 10
18	R116386	STUD	3		
19	RE19799	CLAMP	1		
20	RE19800	CLAMP	1		
21	51M7040	O-RING	1		9.300 X 2.200 MM
22	RE60029	FITTING	1		
23	14M7273	NUT	3		M8
24	26H10	SHAFT KEY	1		
25	RE69757	FUEL INJECTION PUMP	1		(A)
26	T27860	WASHER	3		
27	12M7065	LOCK WASHER	3		
28	R502076	O-RING	1		(SUB FOR R89944)

(A) SEE YOUR AUTHORIZED PUMP REPAIR STATION FOR INTERNAL PARTS

1F24

6359 AND 6068 ENGINES

FUEL INJECTION SYSTEM
(6068HH050)
TP53357 -UN-20NOV96



TP53357

1F25

6359 AND 6068 ENGINES

**FUEL INJECTION SYSTEM (STANADYNE)
(6068HH050)**

KEY	PART NO.	PART NAME	QTY	SERIAL NO.	REMARKS
1	AR85519	PLUG	1		
2	R67364	ELBOW FITTING	1		
3	RE70848	FUEL LINE	1		LEAK OFF
4	RE68748	TUBE	4		
5	RE19797	CLAMP	5		GREEN
6	19M7300	CAP SCREW	5		M6 X 10
7	RE60055	FUEL LINE	1		NO. 1
8	RE60056	FUEL LINE	1		NO. 2
9	RE60057	FUEL LINE	1		NO. 3
10	RE60058	FUEL LINE	1		NO. 4
11	RE60059	FUEL LINE	1		NO. 5
12	RE60060	FUEL LINE	1		NO. 6
13	AR104650	FUEL LINE	1		LEAK OFF
14	R132267	GEAR	1		(60 TEETH)
15	R132874	WASHER	1		
16	R91360	NUT	1		
17	19M7300	CAP SCREW	3		M6 X 10
18	R116386	STUD	3		
19	RE19799	CLAMP	1		
20	RE19800	CLAMP	1		
21	51M7040	O-RING	1		9.300 X 2.200 MM
22	RE60029	FITTING	1		
23	14M7298	FLANGE NUT	3		M8
24	26H10	SHAFT KEY	1		
25	RE69757	FUEL INJECTION PUMP	1		12 VOLT, STANADYNE DB4

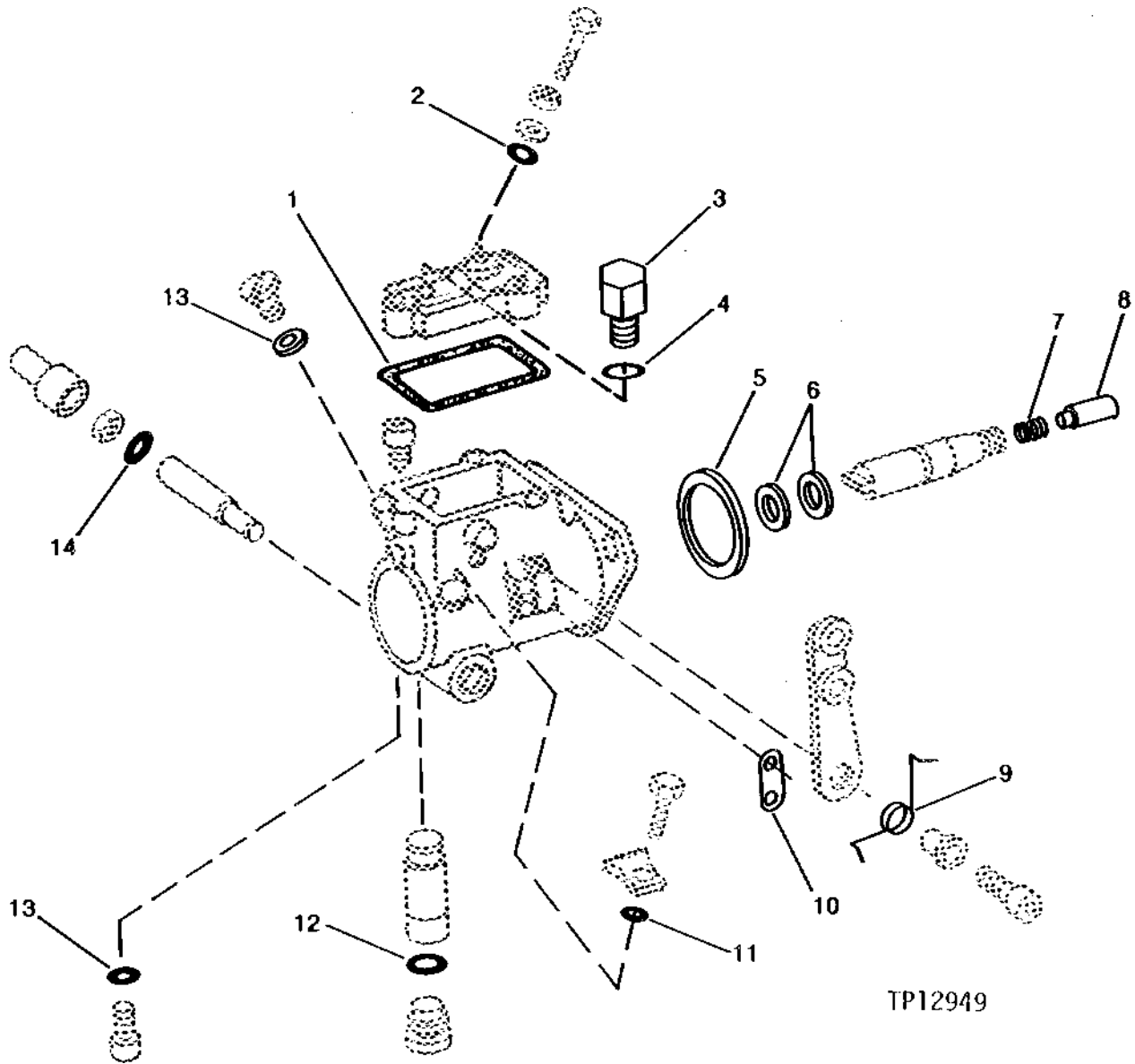
(A) SEE YOUR AUTHORIZED PUMP REPAIR STATION FOR INTERNAL PARTS

1G1

6359 AND 6068 ENGINES

FUEL INJECTION PUMP REPLACEMENT PARTS

TP12949 -UN-01JAN94



TP12949

FUEL INJECTION PUMP REPLACEMENT PARTS - CONTINUED

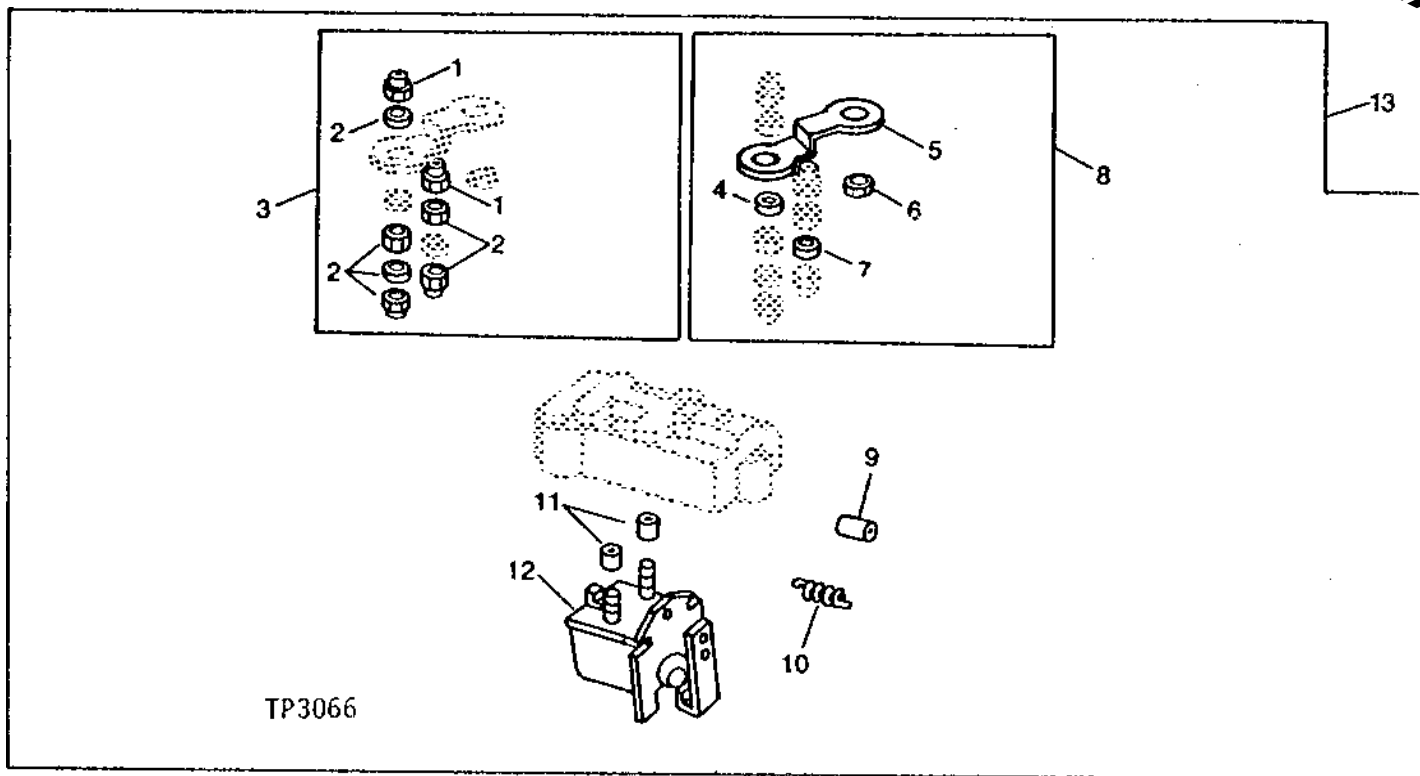
KEY	PART NO.	PART NAME	QTY	ENGINE SERIAL NO.	REMARKS
1	T11918	GASKET	1		
2	R34812	O-RING	1		
3	AR104664	FITTING	1		
4	R76729	O-RING	1		
5	T16318	O-RING	1		
6	T11290	SEAL	2		
7	R36540	SPRING	1		
8	T19855	PIN	1		
9	T17949	SPRING	1		
10	R81929	GASKET	1		
11	T17951	O-RING	1		
12	T15712	O-RING	1		
13	T11899	O-RING	3		
14	R76578	O-RING	1		

1G3

6359 AND 6068 ENGINES

FUEL INJECTION PUMP ELECTRIC SHUT-OFF KIT

TP3066 -UN-01JAN94



KEY	PART NO.	PART NAME	QTY	ENGINE SERIAL NO.	REMARKS
1	M63431	LOCK NUT	2		
2	KIT	1		(SUB RE37091)
3	RE37091	KIT	1		(K) NUT AND WASHER, (SUB FOR AR90601)
4	R47077	LOCK WASHER	1		
5	STRAP	1		(SUB AR50874)
6	12H295	LOCK WASHER	1		0.190"
7	WASHER	1		(SUB AR50874)
8	AR50874	KIT	1		GROUNDING STRAP
9	R48795	SLEEVE	1		
10	T11935	SPRING	1		
11	T11937	INSULATOR	2		(K)
12	RE37089	SOLENOID	1		
13	KIT	1		SHUT-OFF (AR90340 NO LONGER AVAILABLE) (SUB RE37089 AND RE37091)

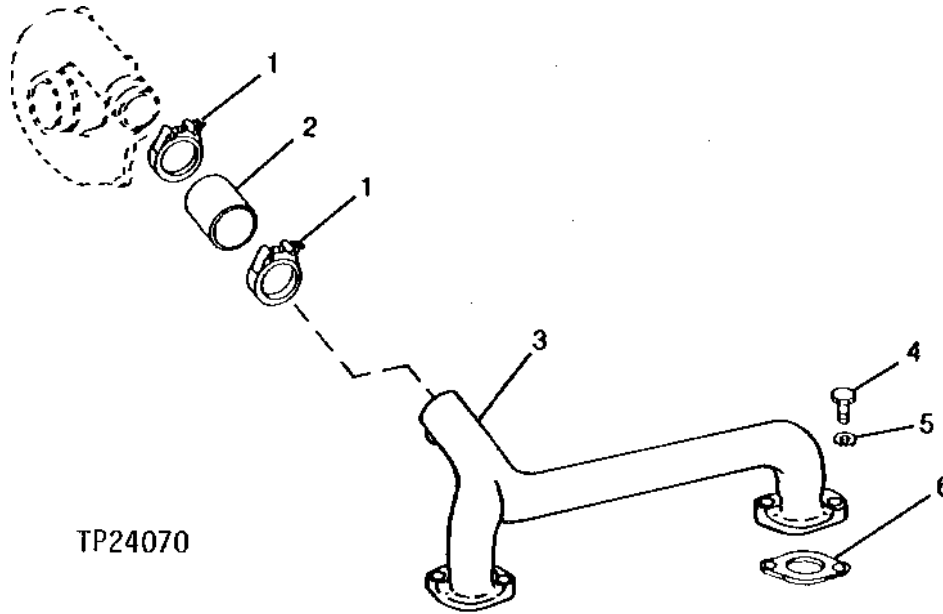
(K) KIT AR34612

1G4

6359 AND 6068 ENGINES

**AIR INTAKE SYSTEM
(6359AH001)**

(ENGINE SERIAL NO. -337245)
TP24070 -UN-01JAN94



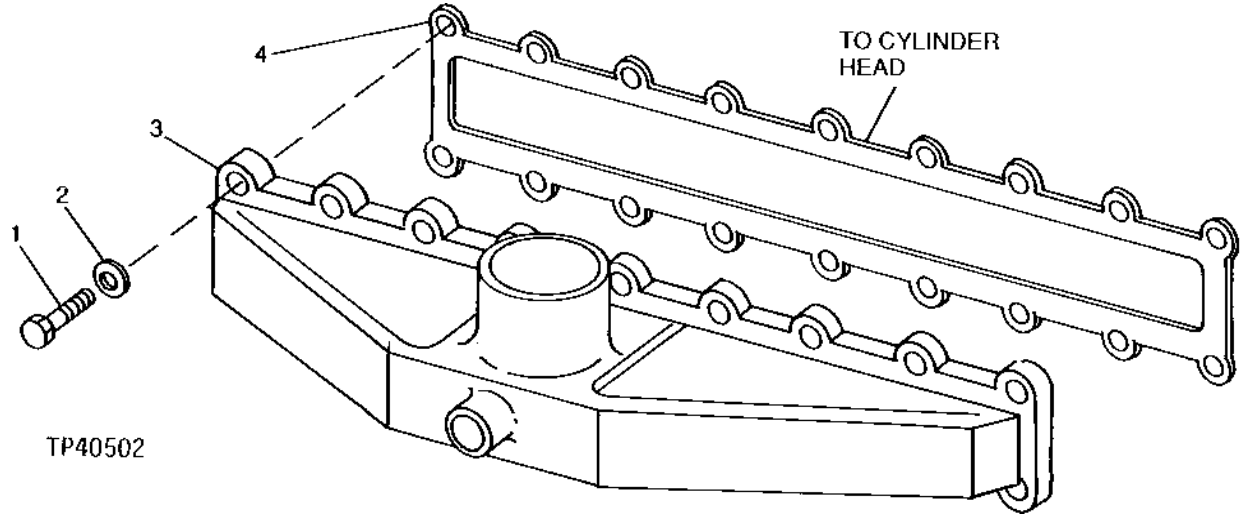
TP24070

KEY	PART NO.	PART NAME	QTY	ENGINE SERIAL NO.	REMARKS
1	R110531	CLAMP	2		(SUB FOR AR65294, THIS APPLICATION) (SUB FOR R56552)
2	R56551	HOSE	1		
3	RE36096	TUBE	1		(MARKED R87203)
4	19H1648	CAP SCREW	4		3/8" X 3/4"
5	12H304	LOCK WASHER	4		3/8"
6	R81275	GASKET	2		

1G5

6359 AND 6068 ENGINES

AIR INTAKE SYSTEM
(6068HH001)
(ENGINE SERIAL NO. 337246-701275)
TP40502 -UN-26OCT94

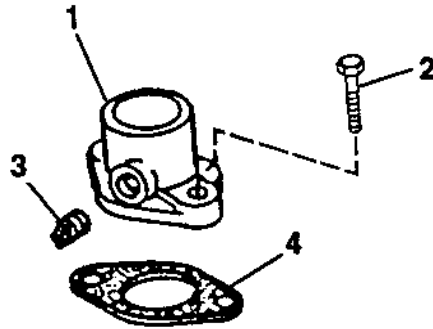


KEY	PART NO.	PART NAME	QTY	ENGINE SERIAL NO.	REMARKS
1	19H3483	CAP SCREW	18		3/8" X 1-1/8"
2	24H1304	WASHER	18		13/32" X 23/32" X 0.120"
3	R108269	COVER	1		
4	R108274	GASKET	1		

1G6

6359 AND 6068 ENGINES

AIR INTAKE SYSTEM
(6068HH050)
(ENGINE SERIAL NO.701276-)
TP53361 -UN-09NOV96



TP53361

KEY	PART NO.	PART NAME	QTY	ENGINE SERIAL NO.	REMARKS
1	R133187	INTAKE MANIFOLD	1		
2	R500394	SCREW	2		
3	RE60071	FITTING	1		
4	R81275	GASKET	1		

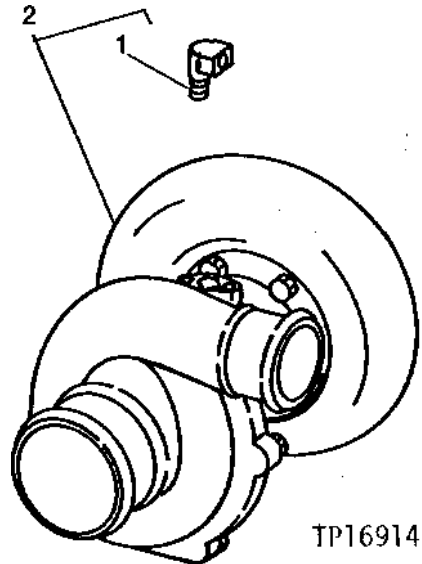
MEMORANDA

1G7

6359 AND 6068 ENGINES

TURBOCHARGER

(6359AH001)(ENGINE SERIAL NO. -337245)
 (6068HH001)(ENGINE SERIAL NO.337246-701275)
 TP16914 -UN-01JAN94

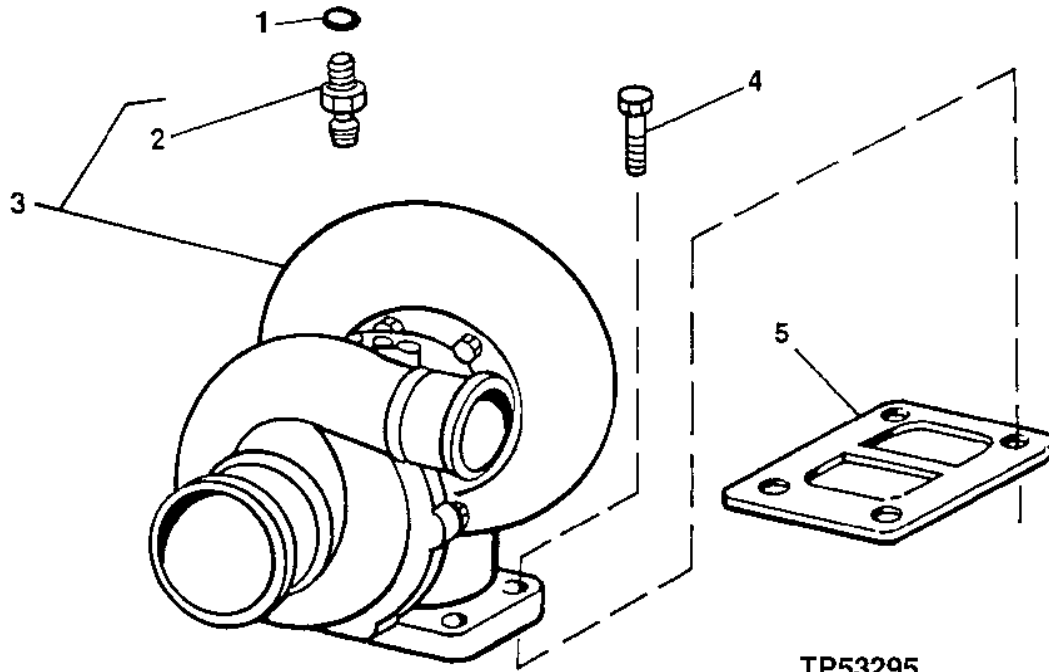


KEY	PART NO.	PART NAME	QTY	ENGINE SERIAL NO.	REMARKS
1	T11180	ELBOW FITTING	1		
2	RE65096	TURBOCHARGER	1	-337245	(SUB FOR RE37539) (ALSO ORDER T11180) REMANUFACTURED (EXCHANGE CREDIT) (EXCHANGE CREDIT)(6359AH001)
	RE26344	HOUSING	1	-337245	(GARRET)(6359AH001)
	RE42740	TURBOCHARGER	1	337246-	(GARRETT)REMANUFACTURED (EXCHANGE CREDIT)(6068HH01)
	RE42739	HOUSING	1	337246-	(GARRETT)(6068HH001)
	RE26409	KIT	1		(NOT ILLUSTRATED)

1G8

6359 AND 6068 ENGINES

TURBOCHARGER
(6068HH050)
(ENGINE SERIAL NO.701276-)
 TP53295 -UN-02JUL96



TP53295

KEY	PART NO.	PART NAME	QTY	ENGINE SERIAL NO.	REMARKS
1	R63548	O-RING	1		
2	M87733	ADAPTER	1		
3	RE60075	TURBOCHARGER	1		REMANUFACTURED
	RE26409	KIT	1		NOT ILLUSTRATED
4	19M7785	SCREW	4		M10 X 25
5	R123572	GASKET	1		

1G9

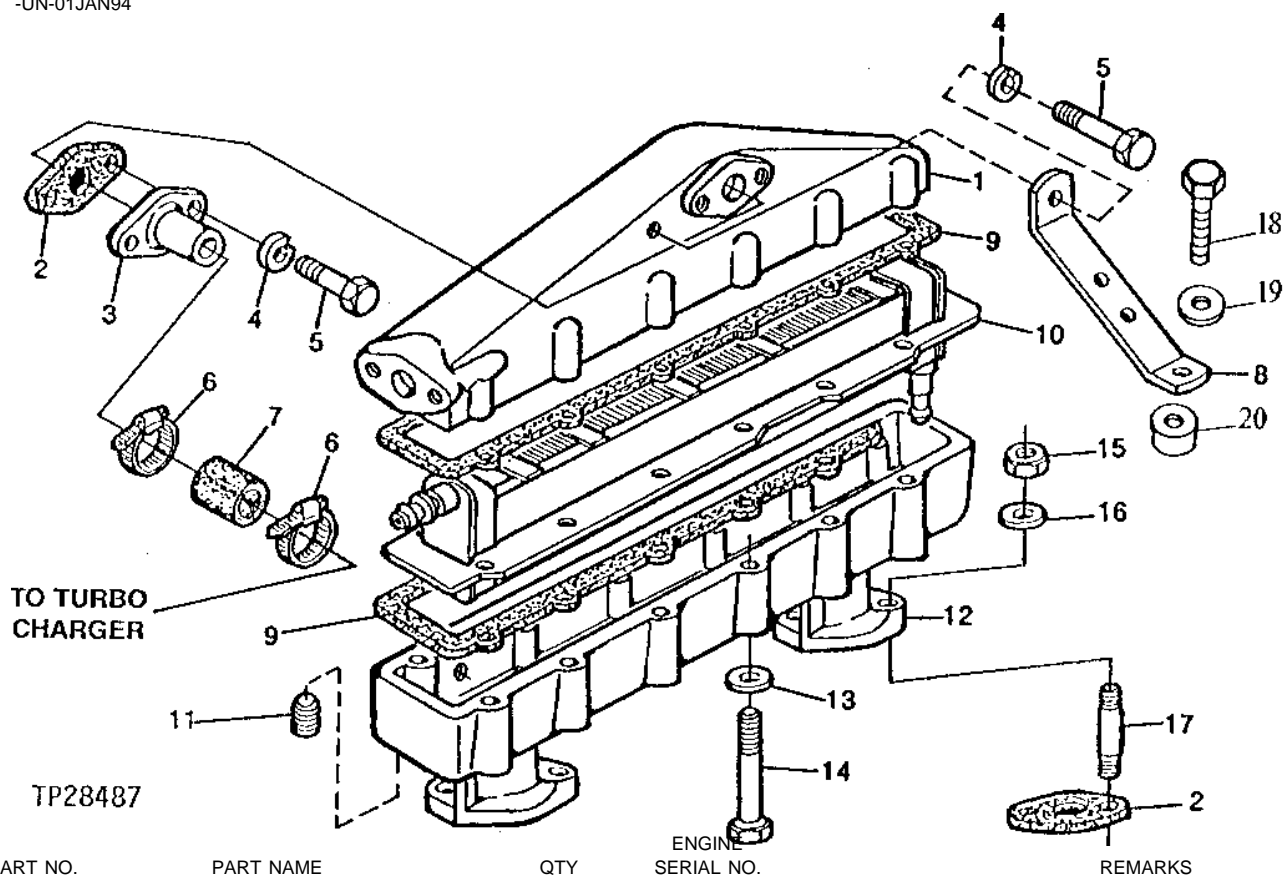
6359 AND 6068 ENGINES

INTERCOOLER

(6359AH001)

(ENGINE SERIAL NO. -337245)

TP28487 -UN-01JAN94

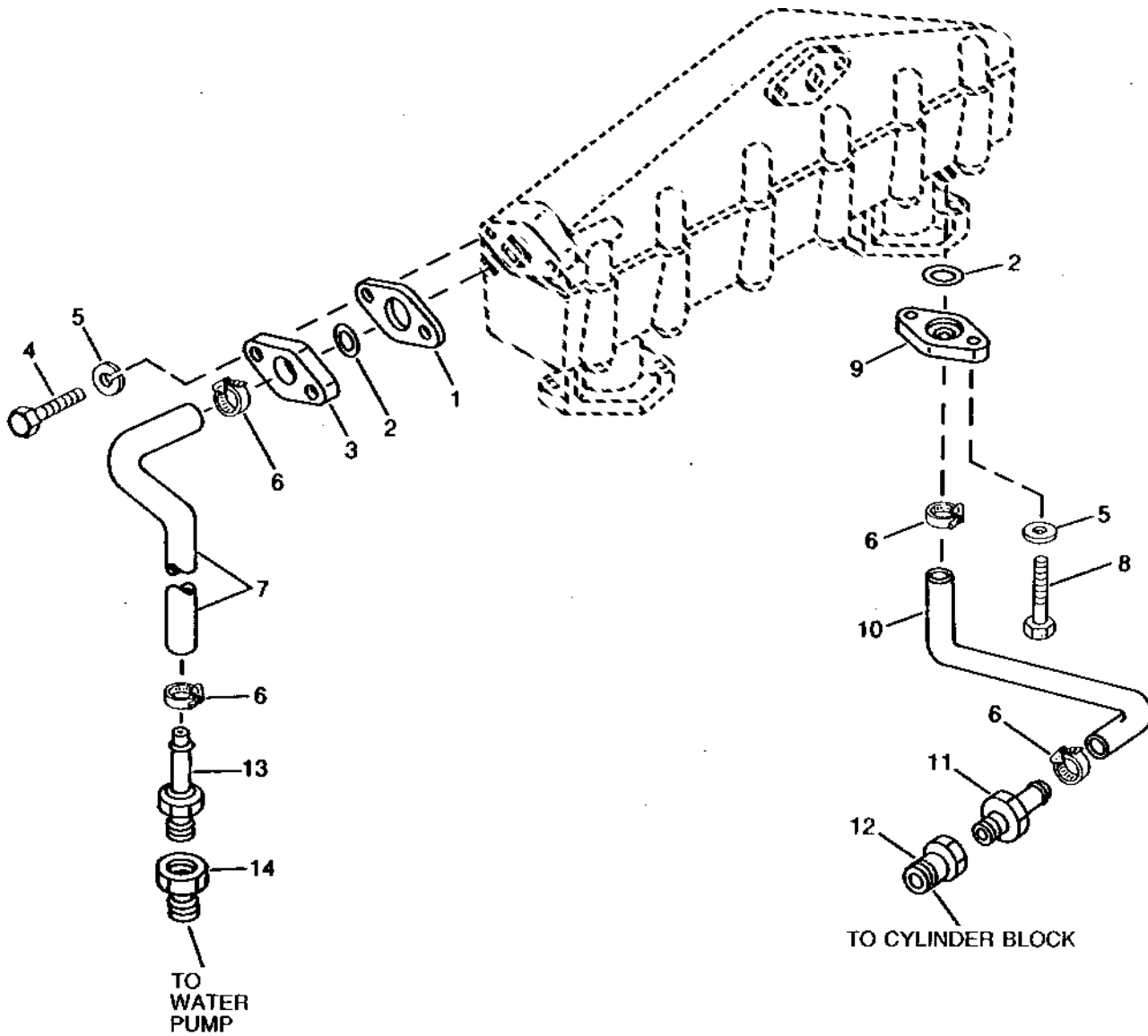


KEY	PART NO.	PART NAME	QTY	ENGINE SERIAL NO.	REMARKS
1	R82844	COVER	1		
2	R81275	GASKET	2		
3	RE22266	TUBE	1		
4	12H304	LOCK WASHER	3	3/8"	
5	19H2676	CAP SCREW	3	3/8" X 1"	
6	R110531	CLAMP	2	(SUB FOR R56552)	
7	R56551	HOSE	1		
8	R82847	REINFORCEMENT	1		
9	R97347	GASKET	2		
10	RE40280	AFTERCOOLER	1		
11	R104592	PIPE PLUG	1	(SUB FOR 15H558, THIS APPLICATION)	
12	R82843	AIR DUCT	1		
13	24H1136	WASHER	10	11/32" X 11/16" X 0.065"	
14	19H3300	CAP SCREW	10	5/16" X 3-3/4"	
15	14H1076	NUT	3	3/8"	
16	24H1304	WASHER	4	13/32" X 23/32" X 0.120"	
17	M1112T	STUD	3	3/8" X 2"	
	T25701	STUD	1		
18	19H3483	CAP SCREW	1	3/8" X 1-1/8"	
19	24H1305	WASHER	1	13/32" X 13/16" X 0.065"	
20	28H862	SPACER	1		

1G10

6359 AND 6068 ENGINES

INTERCOOLER HOSES
(6359AH001)
(ENGINE SERIAL NO. -337245)
TP28486 -UN-01JAN94



TP28486

1G11

6359 AND 6068 ENGINES

INTERCOOLER HOSES**(6359AH001)****(ENGINE SERIAL NO. -337245)**

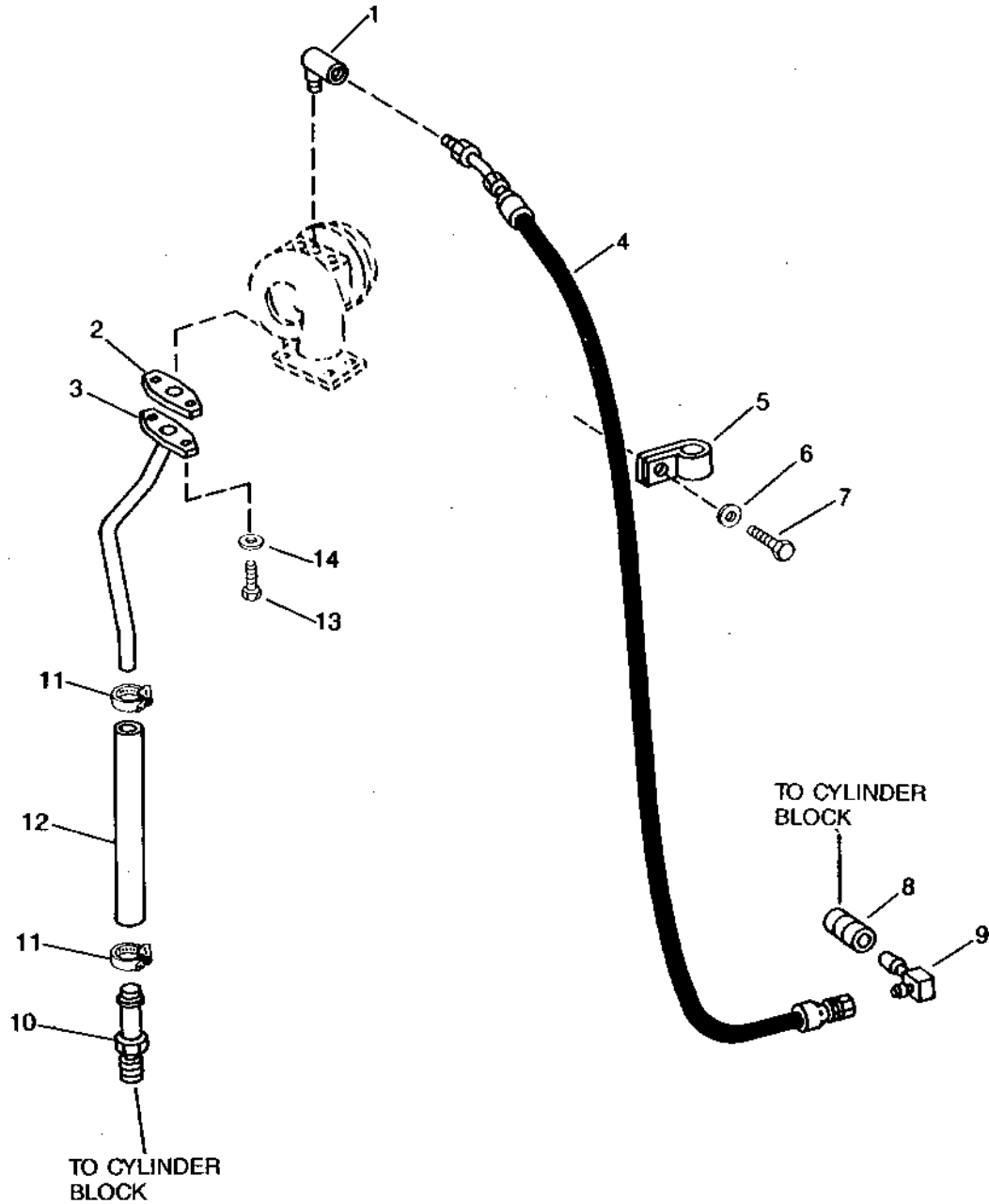
KEY	PART NO.	PART NAME	QTY	ENGINE SERIAL NO.	REMARKS
1	R97346	GASKET	1		
2	R52811	O-RING	2		
3	R47314	ADAPTER	1		
4	19H2661	CAP SCREW	2		5/16" X 1-3/8"
5	12H303	LOCK WASHER	4		5/16"
6	AR21839	CLAMP	4		
7	R107172	HOSE	1		OUTLET
8	19H2852	CAP SCREW	2		5/16" X 4"
9	R50400	ADAPTER	1		
10	R107171	HOSE	1		INLET
11	R48362	ADAPTER	1		
12	15H616	PIPE BUSHING	1		3/4"
13	R48362	ADAPTER	1		
14	15H606	COUPLING	1		1/2"

1G12

6359 AND 6068 ENGINES

TURBOCHARGER OIL LINES

(6359)
(ENGINE SERIAL NO. -228966)
TP23643 -UN-01JAN94



TP23643

1G13

6359 AND 6068 ENGINES

TURBOCHARGER OIL LINES - CONTINUED

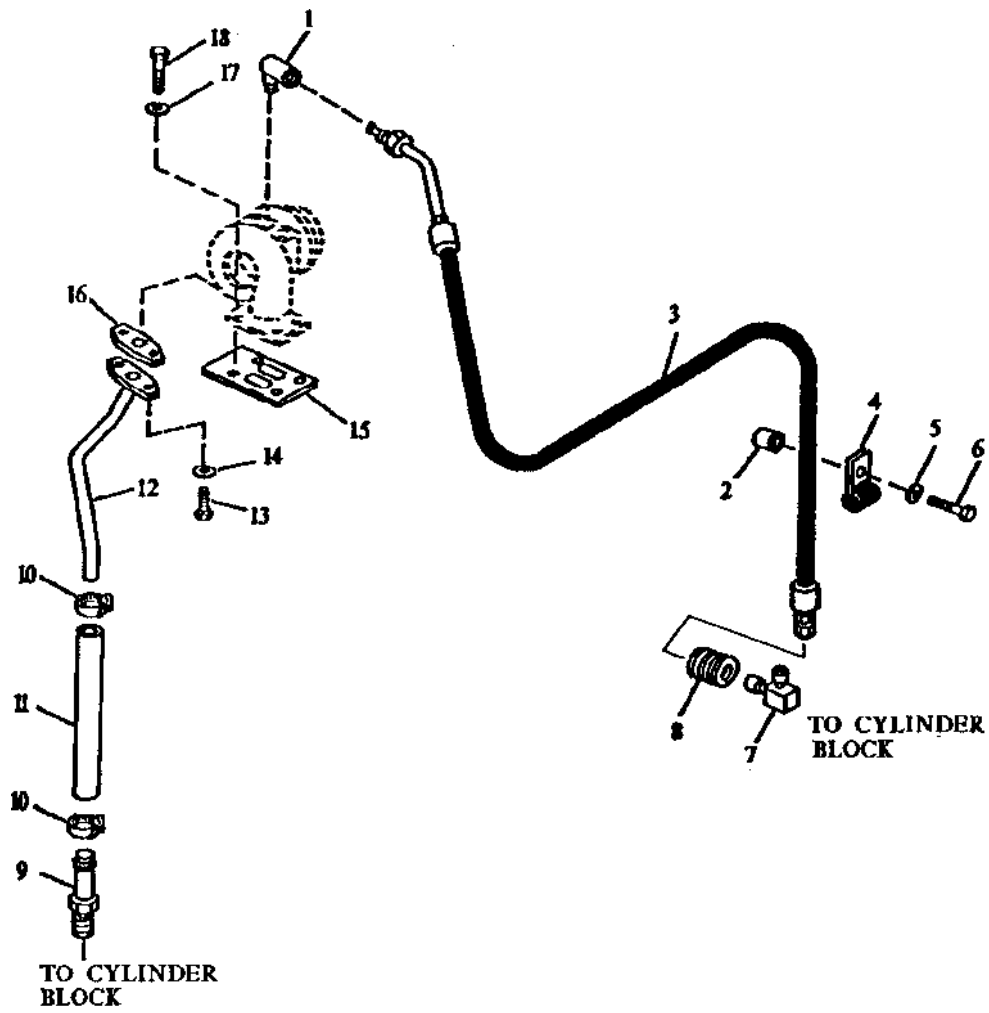
(6359)
(ENGINE SERIAL NO. -228966)

KEY	PART NO.	PART NAME	QTY	ENGINE SERIAL NO.	REMARKS
1	T11180	ELBOW FITTING	1		
2	R105346	GASKET	1		(SUB FOR R97349)
3	RE62101	OIL LINE	1		(SUB FOR RE19268 AND RE33058) (ALSO ORDER (2) R124277)
4	RE25952	HOSE	1		5/8" X 1 025 MM (40-1/4") X 9/16", (USE IF AVAILABLE)
	RE45420	HYDRAULIC LINE	1		(SUB FOR RE25952 AND RE40373)
5	T74416	CLAMP	1		(SUB FOR R46414, THIS APPLICATION)
6	24H1136	WASHER	1		11/32" X 11/16" X 0.065"
7	19H3483	CAP SCREW	1		3/8" X 1-1/8"
8	15H586	ADAPTER	1		3/8"
9	AR26708	FITTING	1		
10	R39503	FITTING	1		
11	AR21839	CLAMP	2		
12	HOSE	1		(CUT TO LENGTH) (MAKE FROM R120013) (SUB FOR R81210)
13	19H2284	CAP SCREW	2		3/8" X 7/8", (USE WITH RE19268 AND RE33058)
	R124277	CAP SCREW	2		(USE WITH RE62101)
14	12H304	LOCK WASHER	2		3/8", (USE WITH 19H2284)

1G14

6359 AND 6068 ENGINES

TURBOCHARGER OIL LINES
(6359AH001)
(ENGINE SERIAL NO. -337245)
TP40550 -UN-26OCT94



TP40550

1G15

6359 AND 6068 ENGINES

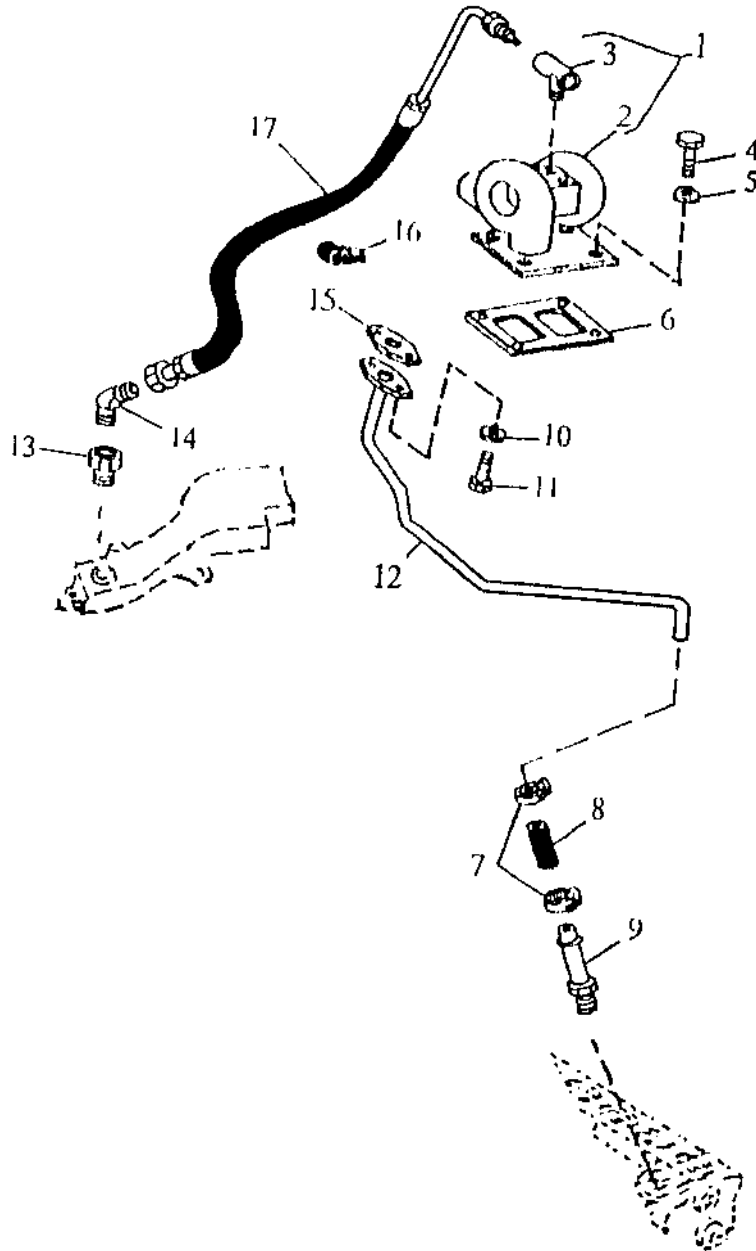
TURBOCHARGER OIL LINES-CONTINUED
(6359AH001)
(ENGINE SERIAL NO. -337245)

KEY	PART NO.	PART NAME	QTY	ENGINE SERIAL NO.	REMARKS
1	T11180	ELBOW FITTING	1		
2	28H1884	SPACER	1	0.493" X 0.675" X 1/2"	
3	RE45420	HYDRAULIC LINE	1	(SUB FOR RE40373)	
4	T74416	CLAMP	1	(SUB FOR R46414, THIS APPLICATION)	
5	24H1136	WASHER	1	11/32" X 11/16" X 0.065"	
6	19H2661	CAP SCREW	1	5/16" X 1-3/8"	
7	AR26708	FITTING	1		
8	15H586	ADAPTER	1	3/8", (USE WITH AR26708)	
9	R39503	FITTING	1		
10	AR21839	CLAMP	2		
11	HOSE	1	(CUT TO LENGTH) (MAKE FROM R120013) (SUB FOR R81210)	
12	RE62101	OIL LINE	1	(SUB FOR RE33058) (ALSO ORDER (2) R124277)	
13	19H2284	CAP SCREW	2	3/8" X 7/8", (USE WITH RE33058)	
	R124277	CAP SCREW	2	(USE WITH RE62101)	
14	12H304	LOCK WASHER	2	3/8", (USE WITH 19H2284)	
15	R123572	GASKET	1	(SUB FOR R89879, THIS APPLICATION)	
16	R105346	GASKET	1		
17	24H1305	WASHER	4	13/32" X 13/16" X 0.065"	
18	RE57724	EYEBOLT	4	(SUB FOR R54500, THIS APPLICATION)	

1G16

6359 AND 6068 ENGINES

TURBOCHARGER OIL LINES
(6068HH001)
(ENGINE SERIAL NO. 337246-701275)
TP43877 -UN-22APR96



1G17

6359 AND 6068 ENGINES

TURBOCHARGER AND TURBOCHARGER OIL LINES

(6068HH001)

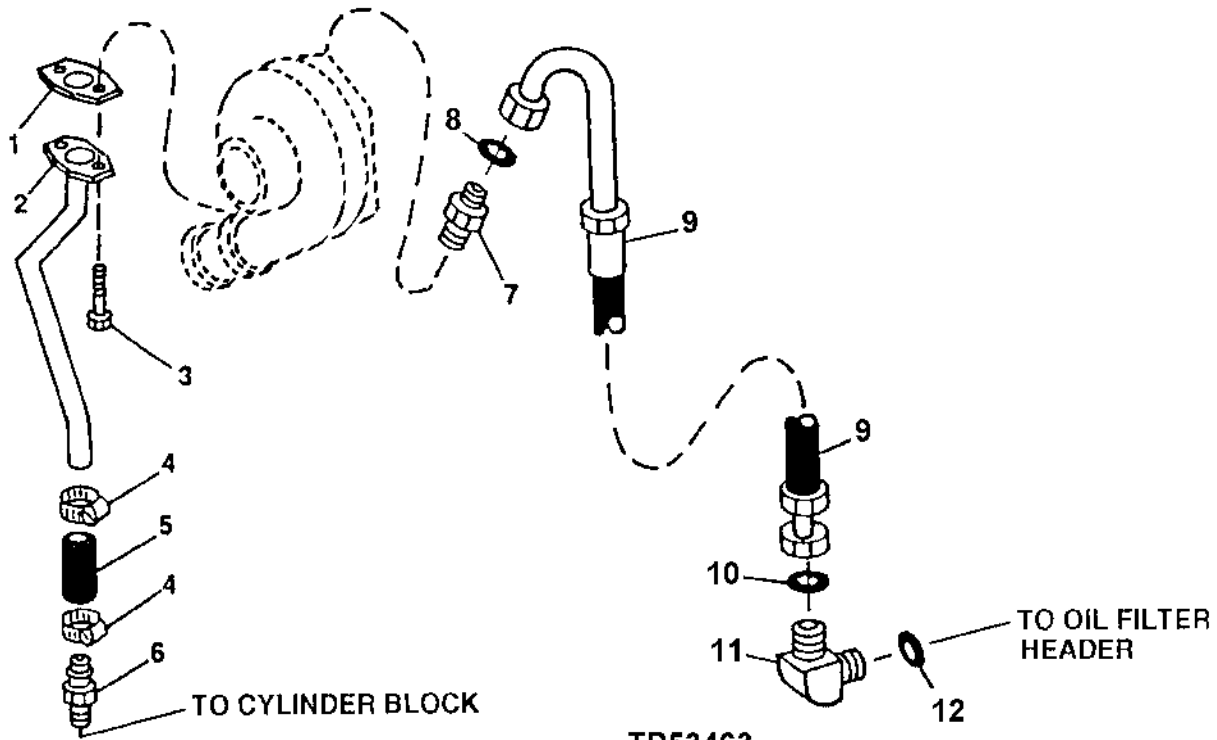
(ENGINE SERIAL NO. 337246-701275)

KEY	PART NO.	PART NAME	QTY	ENGINE SERIAL NO.	REMARKS
1	RE42740	TURBOCHARGER	1		(GARRETT) (REMANUFACTURED)
2	RE42739	HOUSING	1		
3	T11180	ELBOW FITTING	1		
4	19H3411	CAP SCREW	4		3/8" X 1-1/8"
5	24H1305	WASHER	AR		13/32" X 13/16" X 0.065"
6	R123572	GASKET	1		(SUB FOR R89879, THIS APPLICATION)
7	AR21839	CLAMP	2		
8	HOSE	1		(CUT TO LENGTH) (MAKE FROM R120013) (SUB FOR R81210)
9	R39503	FITTING	1		
10	12H304	LOCK WASHER	AR		3/8"
11	R122618	SCREW	2		
12	RE62101	OIL LINE	1		(SUB FOR RE33058) (ALSO ORDER (2) R124277)
13	15H642	PIPE BUSHING	1		1/4"
14	T19898	FITTING	1		
15	R105346	GASKET	1		TURBOCHARGER DRAIN
16	T74416	CLAMP	1		
17	RE45421	HYDRAULIC LINE	1		(SUB FOR RE40374)

1G18

6359 AND 6068 ENGINES

TURBOCHARGER OIL LINES
(6068HH050)
(ENGINE SERIAL NO.701276-)
 TP53463 -UN-21APR97



TP53463

KEY	PART NO.	PART NAME	QTY	ENGINE SERIAL NO.	REMARKS
1	R123570	GASKET	1		
2	RE59438	OIL LINE	1		
3	19M7866	SCREW	2	M8 X 20	
4	RE65978	CLAMP	2		
5	HOSE	1	(MAKE FROM R120013 CUT TO LENGHT)	
6	RE54885	HOSE FITTING	1	(SUB FOR R120757)	
7	M87733	ADAPTER	1		
8	R63548	O-RING	1		
9	RE502239	HOSE	1	(SUB FOR RE59468)	
10	T77613	O-RING	1		
11	38H5154	ELBOW FITTING	1		
12	51M7042	O-RING	1		

1G19

6359 AND 6068 ENGINES

WATER PUMP

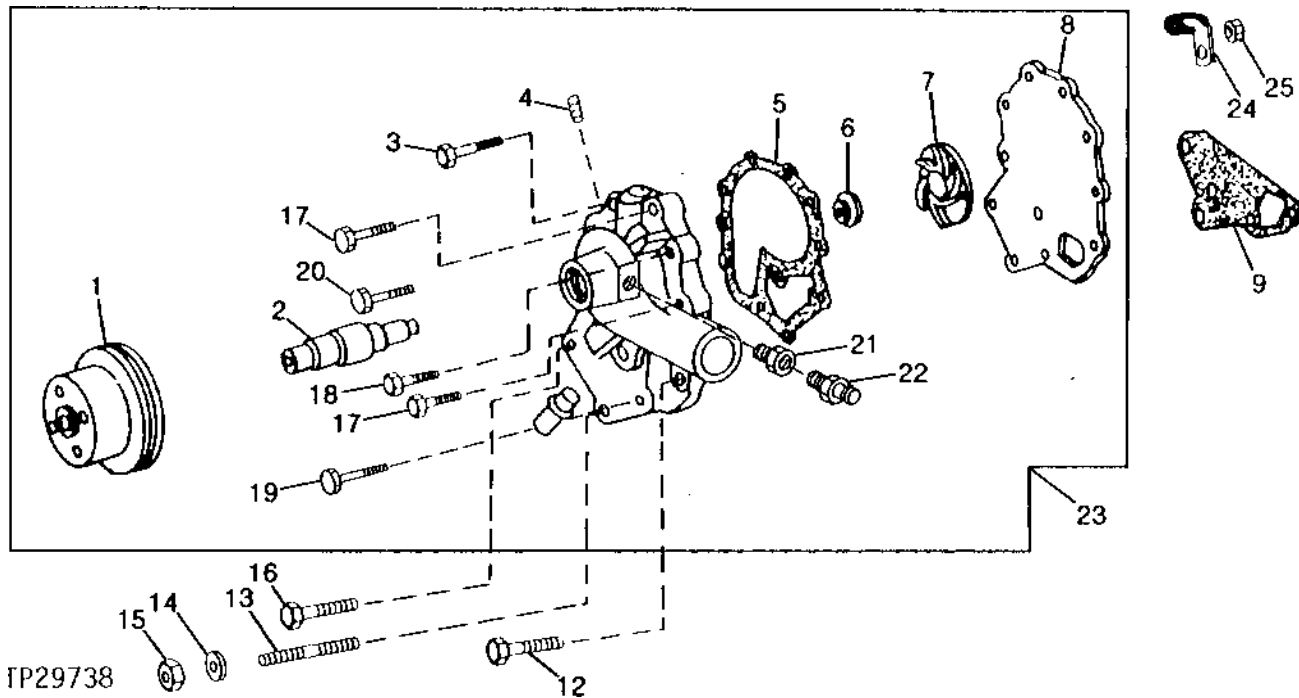
(6359AH001)

(ENGINE SERIAL NO.

-337245)

TP29738

-UN-01JAN94

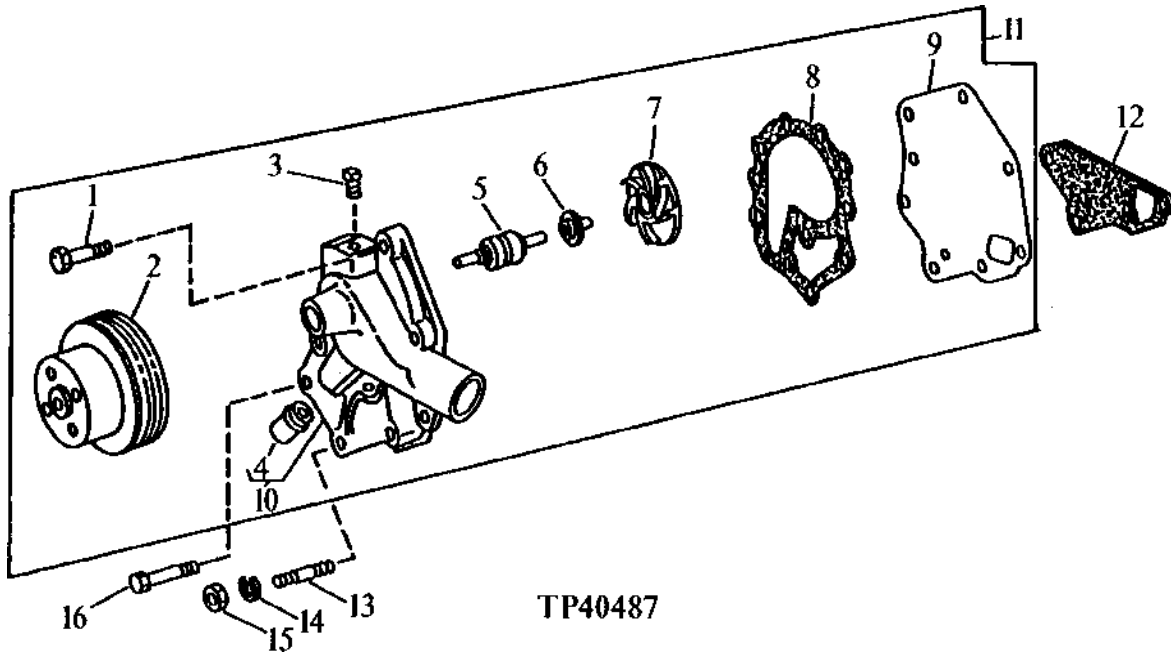


KEY	PART NO.	PART NAME	QTY	ENGINE SERIAL NO.	REMARKS
1	R56810	PULLEY	1		
2	JD8643	BEARING	1		
3	19H2676	CAP SCREW	1	3/8" X 1"	
4	15H561	PIPE PLUG	1	1/2"	
5	R56809	GASKET	1		
6	AR101549	SEAL KIT	1		
7	R56812	IMPELLER	1		
8	R56811	COVER	1		
9	T20243	GASKET	1		
10	R34985	LINE	2		
11	HOUSING	1	(MARKED R97564) (SUB RE36340)	
12	19H2458	CAP SCREW	1	3/8" X 3"	
13	T25701	STUD	1		
14	12H304	LOCK WASHER	AR	3/8"	
15	N10215	LOCK NUT	1	3/8", (SUB FOR 14H812, THIS APPLICATION)	
16	19H3031	CAP SCREW	1	3/8" X 2-1/2"	
17	19H1726	CAP SCREW	3	3/8" X 2-1/4"	
18	19H2676	CAP SCREW	1	3/8" X 1"	
19	19H2633	CAP SCREW	1	3/8" X 1-1/2"	
20	19H3267	CAP SCREW	1	3/8" X 1-5/8"	
21	15H606	COUPLING	1	1/2"	
22	R48362	ADAPTER	1		
23	RE36340	WATER PUMP	1	(MARKED R97564)	
24	AH89486	CLIP	1		
25	14H812	NUT	1	3/8"	

1G20

6359 AND 6068 ENGINES

WATER PUMP
(6068HH001)
(ENGINE SERIAL NO. 337246-701275)
 TP40487 -UN-26OCT94

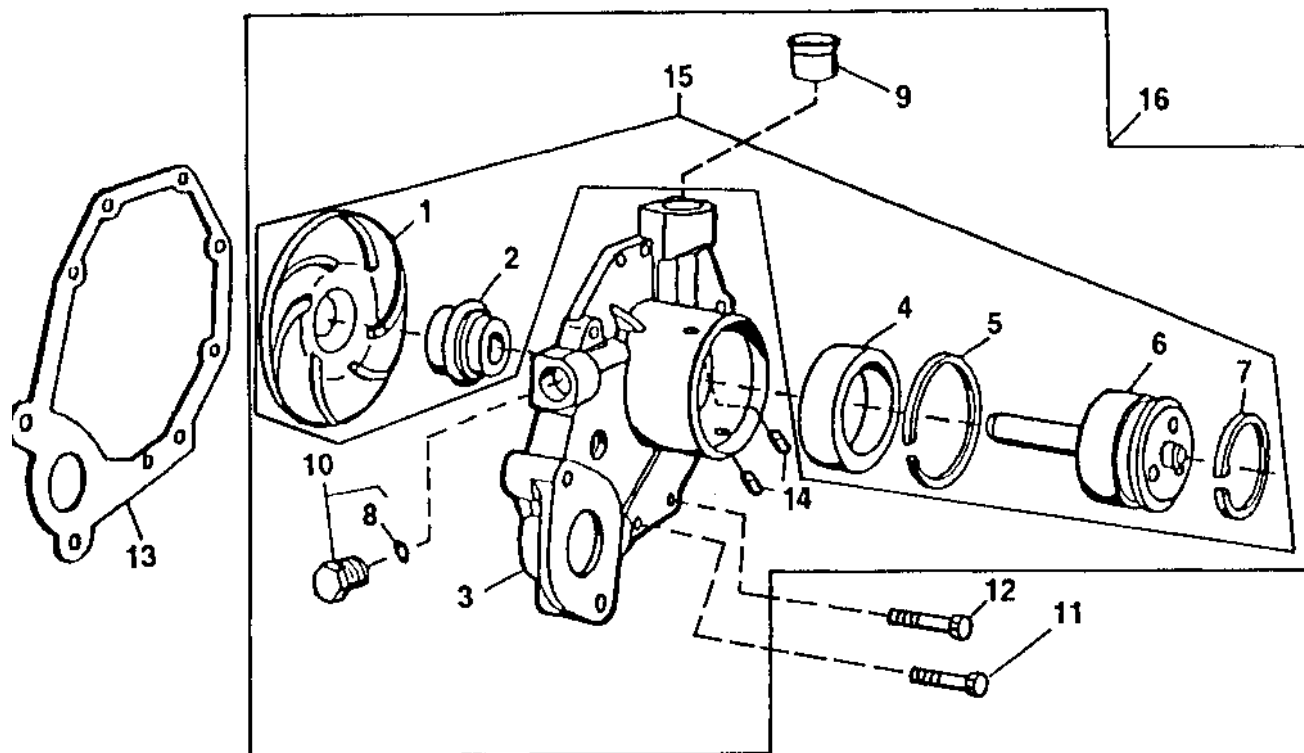


KEY	PART NO.	PART NAME	QTY	ENGINE SERIAL NO.	REMARKS
1	19H2633	CAP SCREW	5	3/8" X 1-1/2"	
	19H2676	CAP SCREW	1	3/8" X 1"	
	19H1726	CAP SCREW	3	3/8" X 2-1/4"	
	19H2467	CAP SCREW	1	3/8" X 2-1/2"	
2	R56810	PULLEY	1		
3	15H584	PIPE PLUG	1	1/2"	
4	R34985	LINE	1		
5	JD8643	BEARING	1		
6	AR101549	SEAL KIT	1	(SUB FOR AR41691)	
7	R56812	IMPELLER	1		
8	R56809	GASKET	1		
9	R56811	COVER	1		
10	AR80116	HOUSING	1	(MARKED R90784)	
11	AR74110	WATER PUMP	1	(ALSO ORDER T20243) (NEW)	
	TY6738	WATER PUMP	1	(REMANUFACTURED)	
12	T20243	GASKET	1		
13	T25701	STUD	1		
14	12H304	LOCK WASHER	AR	3/8"	
15	N10215	LOCK NUT	1	(SUB FOR 14H812, THIS APPLICATION) 3/8"	
16	19H3217	CAP SCREW	1	3/8" X 1-3/4"	
	19H3031	CAP SCREW	1	3/8" X 2-1/2", 3/8" X 2-1/2"	

1G21

6359 AND 6068 ENGINES

WATER PUMP ASSEMBLY
(6068HH050)
(ENGINE SERIAL NO.701276-)
 TP50847 -UN-16JUN98



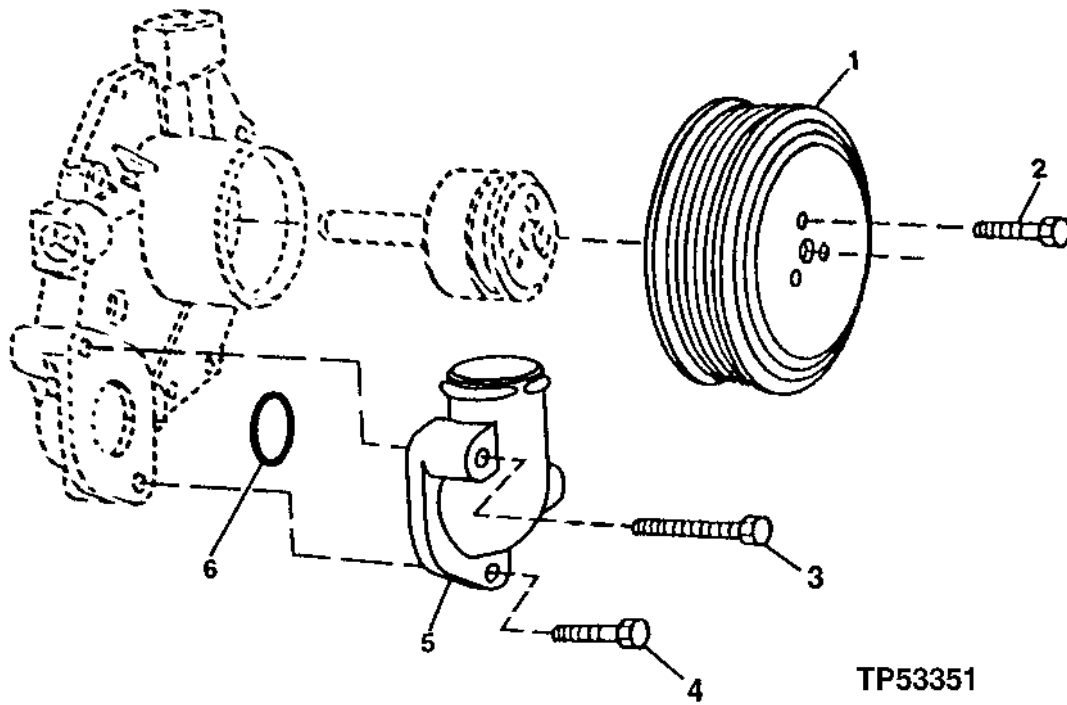
TP50847

KEY	PART NO.	PART NAME	QTY	ENGINE SERIAL NO.	REMARKS
1	IMPELLER	1		
2	SEAL	1		
3	HOUSING	1		
4	BALL BEARING	1		
5	RING	1		
6	SHAFT	1		
7	A364R	SNAP RING	1		
8	51M7043	O-RING	1		15.300 X 2.200 MM
9	R123226	GASKET	1		
10	RE46685	PLUG	1		
11	19M7796	SCREW	3		M6 X 30
12	19M7863	SCREW	5		M6 X 25
13	R123417	GASKET	1		
14	R98527	FILTER	1		(USE WITH RE70683)
	R100369	FILTER	1		(USE WITH RE500737)
15	RE70962	KIT	1		(SUB FOR RE59407)
16	RE500737	WATER PUMP	1		(MARKED RE56737, RE70683 OR RE500737) (SUB FOR RE56737 AND RE70683)

1G22

6359 AND 6068 ENGINES

WATER PUMP INLET AND PULLEY
 (6068HH050)
 (ENGINE SERIAL NO.701276-)
 TP53351 -UN-04NOV96



TP53351

KEY	PART NO.	PART NAME	QTY	ENGINE SERIAL NO.	REMARKS
1	R115250	SHEAVE	1		
2	19M7774	SCREW	3	M6 X 12	
3	19M7802	SCREW	1	M8 X 65	
4	19M7867	SCREW	1	M8 X 25	
5	R121635	HOUSING	1		
6	R89944	O-RING	1	50.394 X 3.531 MM (1-63/64" X 0.139")	

1G23

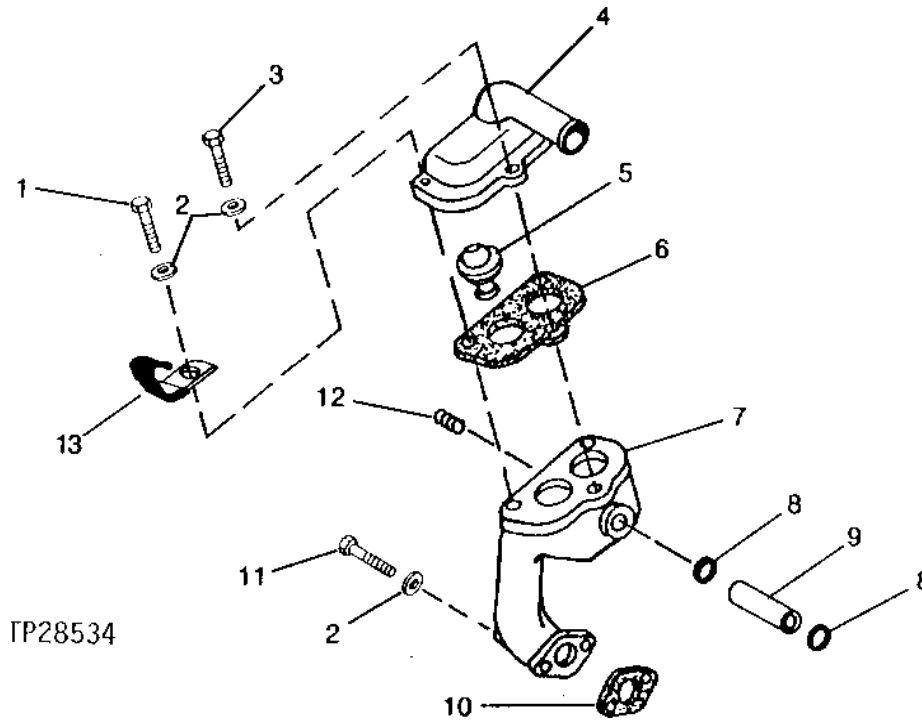
6359 AND 6068 ENGINES

ENGINE THERMOSTAT AND THERMOSTAT HOUSING

(6359AH001)

(ENGINE SERIAL NO. -337245)

TP28534 -UN-01JAN94



KEY	PART NO.	PART NAME	QTY	ENGINE SERIAL NO.	REMARKS
1	19H3239	CAP SCREW	1	3/8" X 1-1/4"	
2	12H304	LOCK WASHER	5	3/8"	
3	19H2676	CAP SCREW	1	3/8" X 1"	
4	R85712	COVER	1		
5	AR48675	THERMOSTAT	2		
6	R501373	GASKET	1		(SUB FOR R54638)
7	R64268	HOUSING	1		
8	R56461	O-RING	2		
9	R55967	TUBE	1		
10	R54641	GASKET	1		
11	19H1912	CAP SCREW	2	3/8" X 3-1/2"	
12	15H561	PIPE PLUG	1	1/2"	
13	AH89486	CLIP	1		

MEMORANDA

1G24

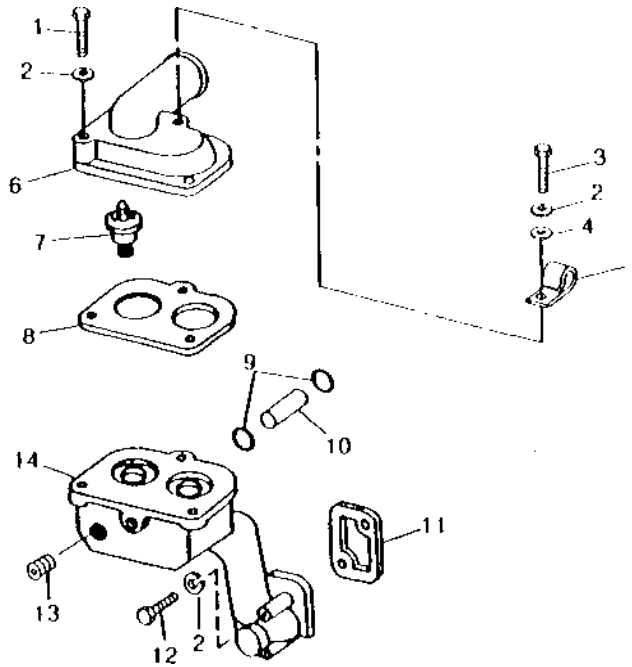
6359 AND 6068 ENGINES

ENGINE THERMOSTAT AND THERMOSTAT HOUSING

(6068HH001)

(ENGINE SERIAL NO. 337246-701275)

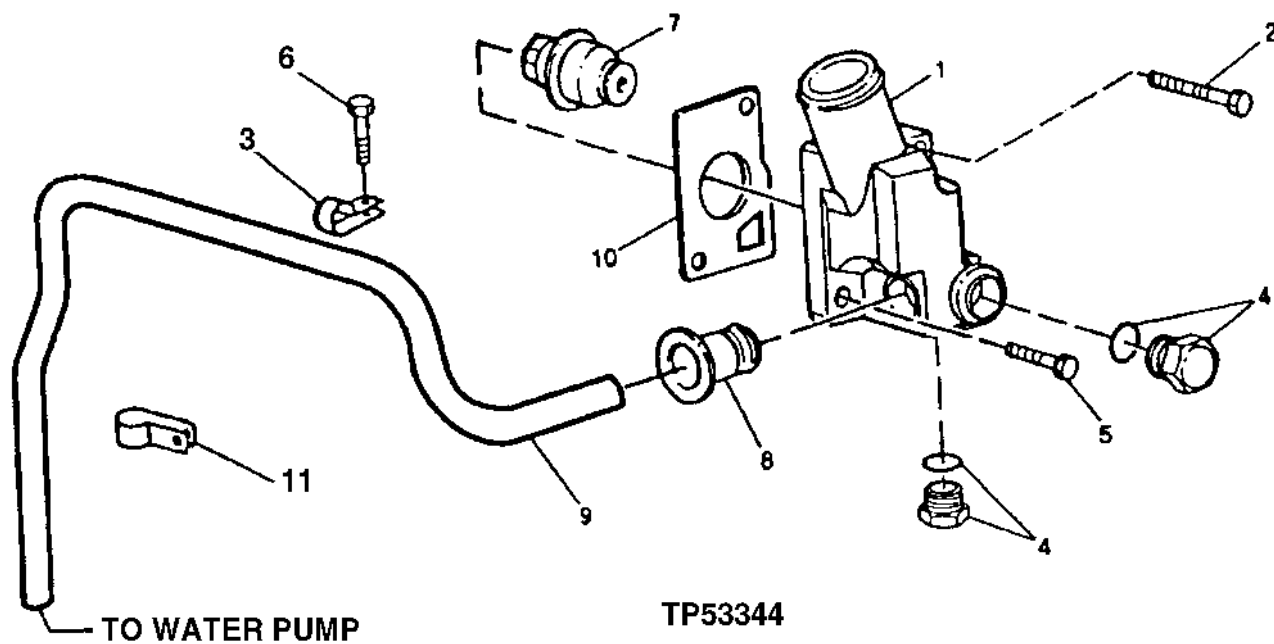
TP40488 -UN-28OCT94



TP40488

KEY	PART NO.	PART NAME	QTY	ENGINE SERIAL NO.	REMARKS
1	19H3065	CAP SCREW	2		3/8" X 2"
2	12H304	LOCK WASHER	AR		3/8"
3	19H3411	CAP SCREW	1		3/8" X 1-1/8"
4	24M7106	WASHER	AR		10 X 18 X 2.500 MM
5	AH89486	CLIP	1		
6	R85712	COVER	1		NO WASHERS REQUIRED
7	AR48675	THERMOSTAT	2		83° C (180° F)
8	R501373	GASKET	1		(SUB FOR R54638)
9	R56461	O-RING	2		
10	R55967	TUBE	1		
11	R54641	GASKET	1		
12	19H3736	CAP SCREW	2		3/8" X 3-1/2"
13	15H561	PIPE PLUG	1		1/2"
14	R54637	HOUSING	1		

THERMOSTAT AND COVERS
(6068HH050)
(ENGINE SERIAL NO.701276-)
TP53344 -UN-07NOV96



1H2

6359 AND 6068 ENGINES

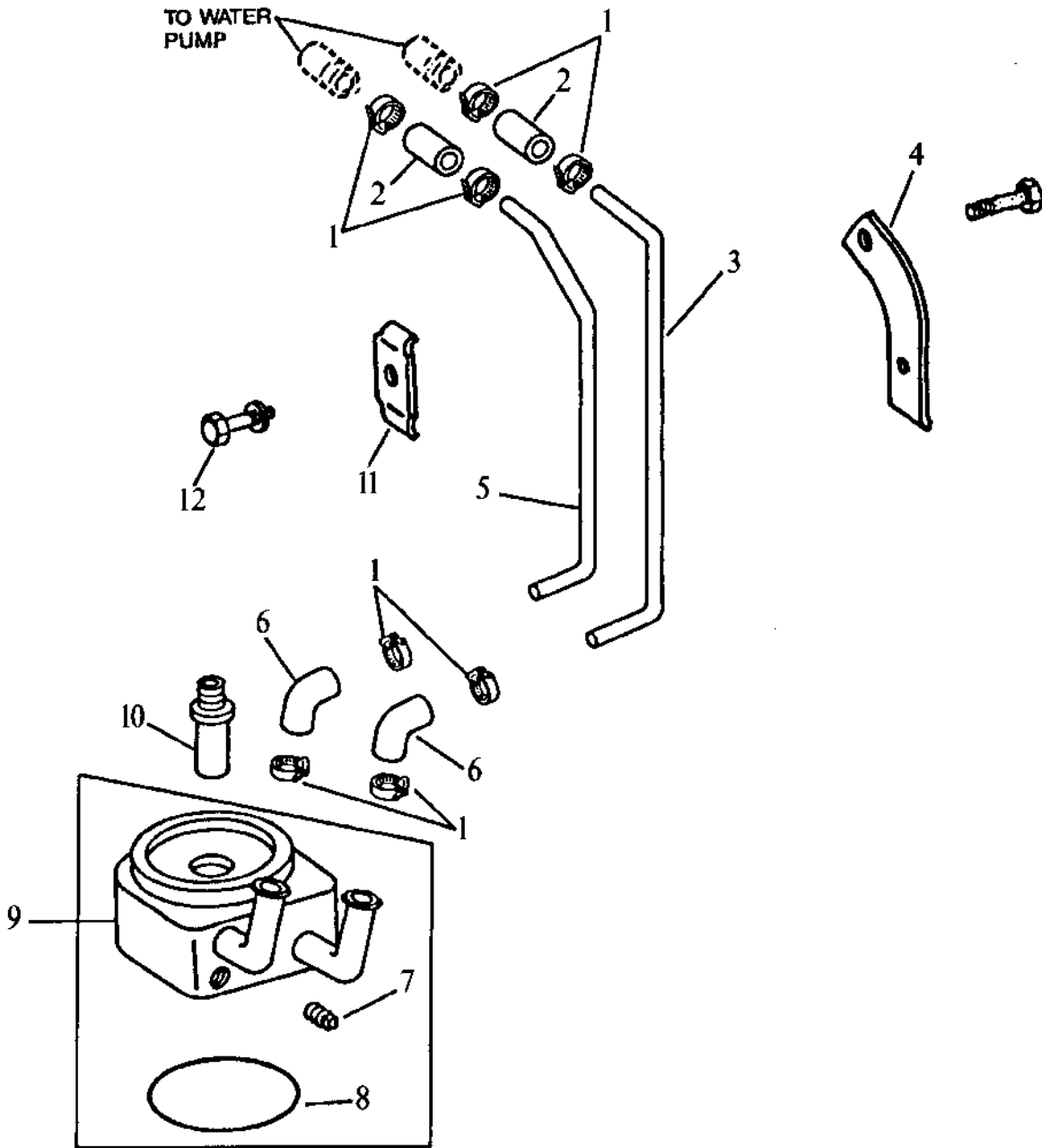
THERMOSTAT AND COVERS
(6068HH050)
(ENGINE SERIAL NO.701276-)

KEY	PART NO.	PART NAME	QTY	ENGINE SERIAL NO.	REMARKS
1	R131016	COVER	1		
2	19M8292	SCREW	1	M10 X 50	
3	R123323	CLAMP	1		
4	RE46684	PLUG	2		
5	19M7786	SCREW	1	M10 X 30	
6	19M7788	SCREW	1	M12 X 25	
7	RE64354	THERMOSTAT	1	82° C (180° F)	
8	R123226	GASKET	1		
9	R501144	TUBE	1	(SUB FOR R123588)	
10	R135896	GASKET	1	(SUB FOR R121416)	
11	R123324	CLAMP	1		

1H3

6359 AND 6068 ENGINES

ENGINE OIL COOLER
(6359AH001)
(ENGINE SERIAL NO. -337245)
TP41613 -UN-10DEC96



TP41613

1H4

6359 AND 6068 ENGINES

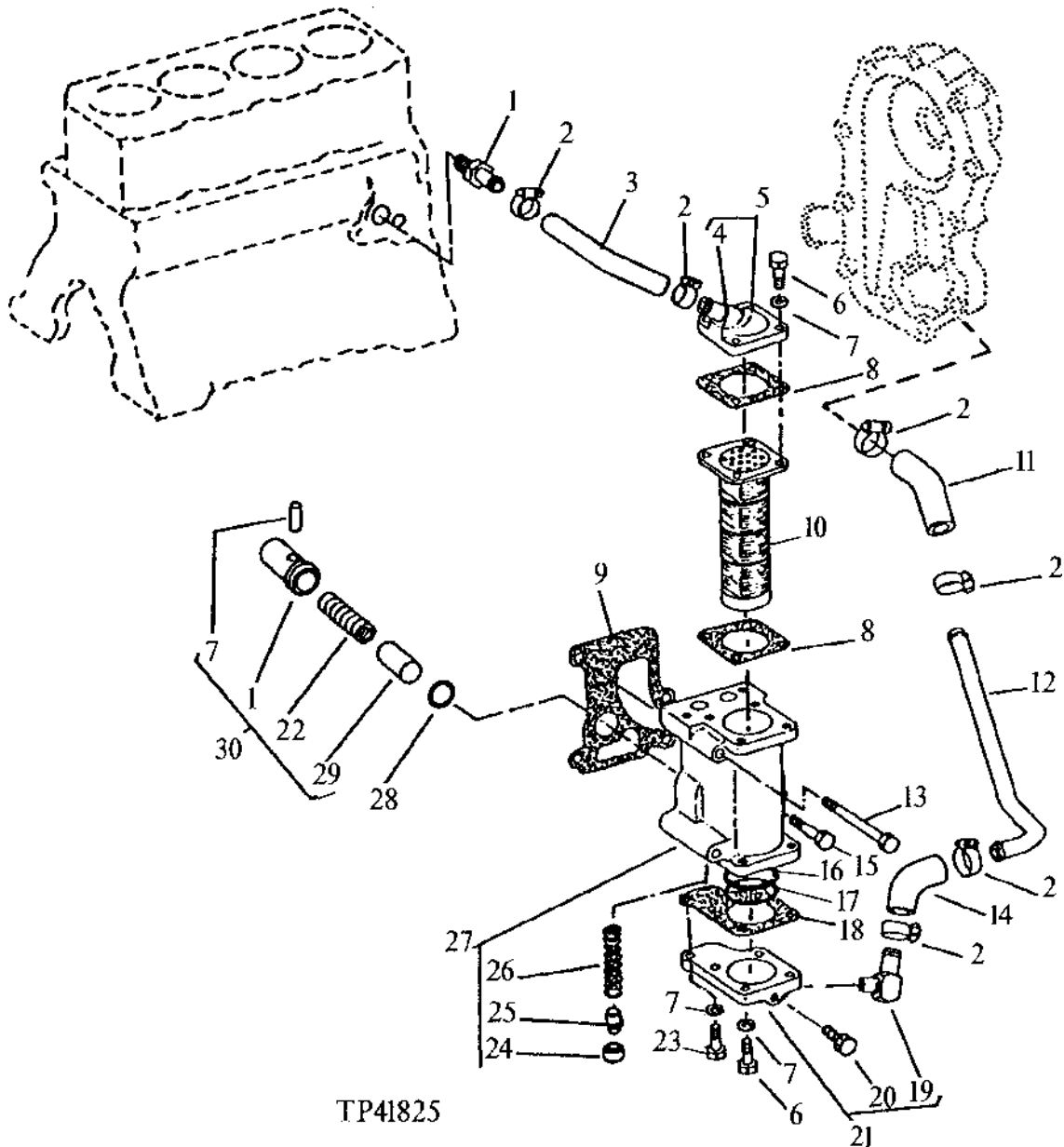
ENGINE OIL COOLER-CONTINUED
(6359AH001)
(ENGINE SERIAL NO. -337245)

KEY	PART NO.	PART NAME	QTY	ENGINE SERIAL NO.	REMARKS
1	AR21839	CLAMP	8		
2	HOSE	2		(MAKE FROM R57300 BULK MATERIAL, CUT TO LENGTH)
3	R78289	LINE	1		
4	R55128	FLANGE	1		
5	R78288	LINE	1		
6	R54829	HOSE	2		
7	R56947	DRAIN PLUG	1		
8	R105714	WASHER	1		
9	RE31929	OIL COOLER	1		
10	T31306	THREADED NIPPLE	1		
11	R55129	HALF CLAMP	1		
12	AR86092	SCREW	1		

1H5

6359 AND 6068 ENGINES

ENGINE OIL COOLER
(6068HH001)
(ENGINE SERIAL NO. 337246-389293)
TP41825 -UN-26OCT94



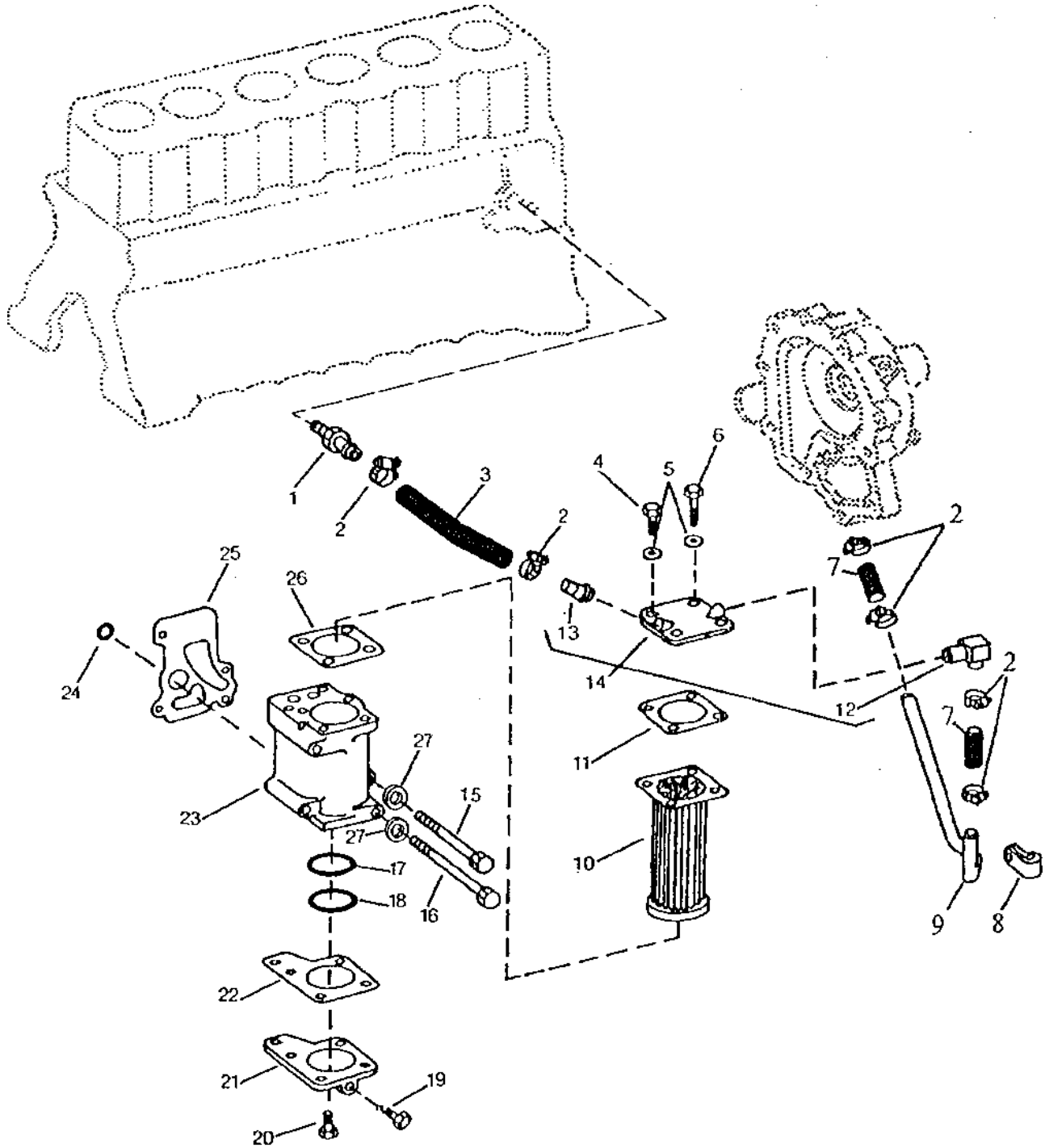
1H6

6359 AND 6068 ENGINES

ENGINE OIL COOLER-CONTINUED
(6068HH001)
(ENGINE SERIAL NO. 337246-389293)

KEY	PART NO.	PART NAME	QTY	SERIAL NO.	REMARKS
1	R39503	FITTING	1		
2	AR21839	CLAMP	6		
3	R54826	HOSE	1		
4	R34985	LINE	1		
5	AR70464	COVER	1		(MARKED R58632)
6	19H2661	CAP SCREW	8		5/16" X 1-3/8"
7	34H184	SPRING PIN	1		1/8" X 1-1/8"
8	R98486	GASKET	2		
9	R98489	GASKET	1		
10	RE31089	OIL COOLER	1		
11	HOSE	1		(MAKE FROM R57300 BULK MATERIAL, CUT TO LENGTH)
12	R54830	TUBE	1		
13	19H1925	CAP SCREW	2		3/8" X 4-1/4"
14	R54829	HOSE	1		
15	19H3065	CAP SCREW	2		3/8" X 2"
16	R56814	O-RING	1		INNER
17	R56815	O-RING	1		OUTER
18	R98487	GASKET	1		
19	AR26732	ELBOW FITTING	1		
20	R42852	PIPE PLUG	1		
21	AR63356	COVER	1		(MARKED R54828)
22	R46625	SPRING	1		
23	19H2705	CAP SCREW	2		5/16" X 1"
24	VALVE SEAT	1		(SUB AR103165)
25	R73139	VALVE	1		
26	R46625	SPRING	1		
27	AR103165	HOUSING	1		(MARKED R76241)
28	R61871	O-RING	1		
29	VALVE	1		(SUB AR63351)
30	AR63351	VALVE	1		

ENGINE OIL COOLER
(6068HH001)
(ENGINE SERIAL NO. 389294-701275)
TP42690 -UN-01JAN94



TP42690

1H8

6359 AND 6068 ENGINES

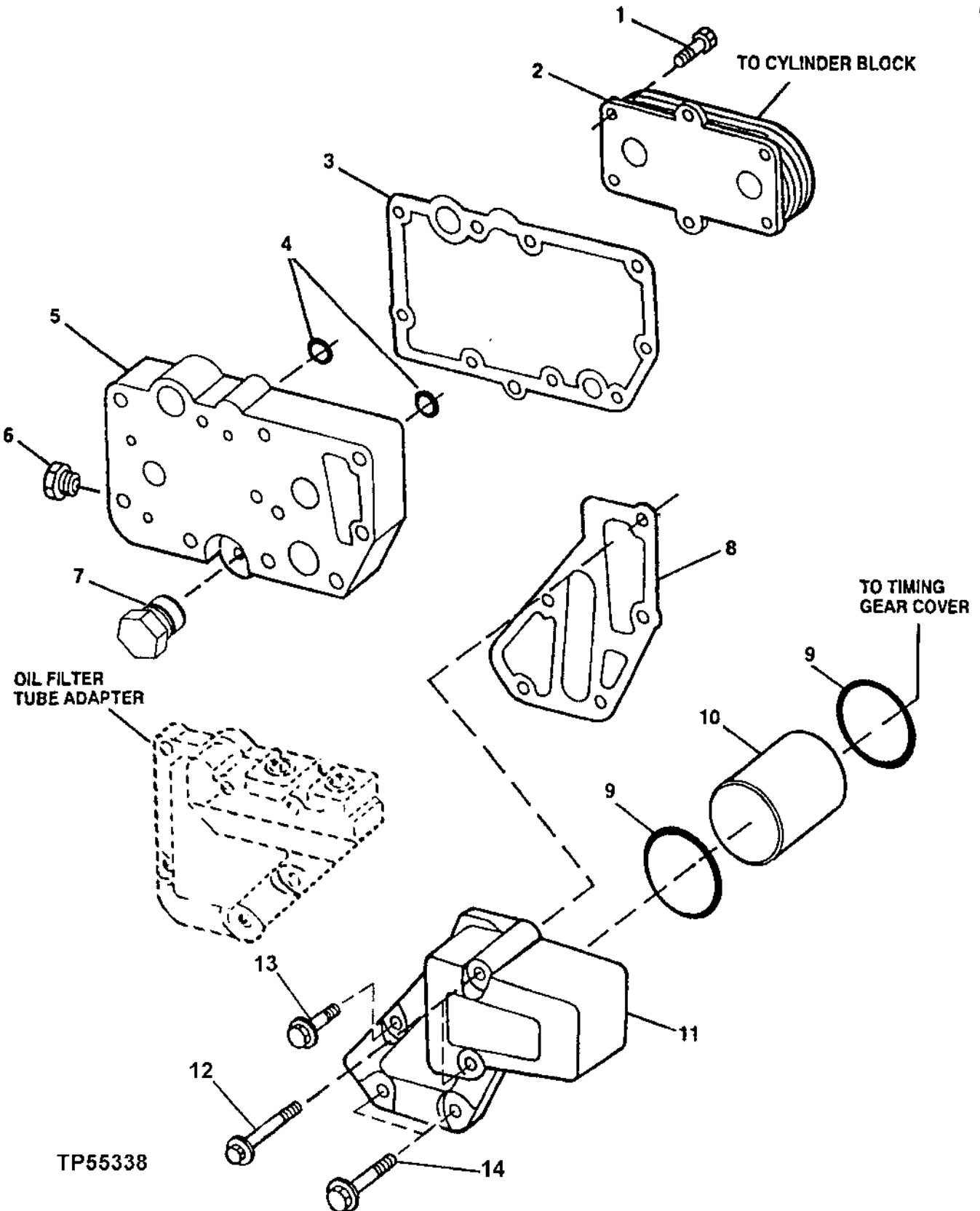
ENGINE OIL COOLER
(6068HH001)
(ENGINE SERIAL NO. 389294-701275)

KEY	PART NO.	PART NAME	QTY	ENGINE SERIAL NO.	REMARKS
1	R39503	FITTING	1		
2	AR21837	CLAMP	6		
3	R54826	HOSE	1		
4	19H3751	CAP SCREW	3	3/8" X 1-3/8"	
5	12H304	LOCK WASHER	AR	3/8"	
6	19H3065	CAP SCREW	1	3/8" X 2"	
7	HOSE	2		(MAKE FROM R57300 BULK MATERIAL, CUT TO LENGTH)
8	T24959	CLAMP	1		
9	R60961	TUBE	1		
10	RE31286	OIL COOLER	1		
11	R98471	GASKET	1		
12	AR26732	ELBOW FITTING	1		
13	R34985	LINE	1		
14	AR66406	COVER	1		(MARKED R56195)
15	19H2104	CAP SCREW	2	3/8" X 5"	
16	19H3329	CAP SCREW	2	3/8" X 5-3/4"	
17	R56192	O-RING	1		
18	R56193	O-RING	1		
19	R42852	PIPE PLUG	1		
20	19H3483	CAP SCREW	5	3/8" X 1-1/8"	
21	R56197	COVER	1		
22	R98485	GASKET	1		
23	R110563	HOUSING	1		
24	R61871	O-RING	1		
25	R98489	GASKET	1		
26	R98484	GASKET	1		
27	24H1304	WASHER	2	13/32" X 23/32" X 0.120"	

1H9

6359 AND 6068 ENGINES

ENGINE OIL COOLER
(6068HH050)
(ENGINE SERIAL NO.701276-)
TP55338 -UN-08APR98



1H10

6359 AND 6068 ENGINES

ENGINE OIL COOLER
(6068HH050)
(ENGINE SERIAL NO.701276-)

KEY	PART NO.	PART NAME	QTY	ENGINE SERIAL NO.	REMARKS
1	RE67231	SCREW	6		M6 X 16 (WITH PRE-APPLIED SEALANT)
2	RE56690	OIL COOLER	1		(7 PLATE)
3	R123501	GASKET	1		
4	T122075	O-RING	2		1.174" X 0.103"
5	R123471	HOUSING	1		
6	RE46685	PLUG	1		
7	RE46686	PLUG	1		
8	R123502	GASKET	1		
9	R61105	O-RING	2		37.694 X 3.531 MM
10	R115252	TUBE	1		
11	R135177	ADAPTER	1		
12	19M7970	SCREW	2		M8 X 100
13	RE67238	SCREW	1		M8 X 20 (WITH PRE-APPLIED SEALANT)
14	19M7802	SCREW	2		M8 X 65

MEMORANDA

1H11

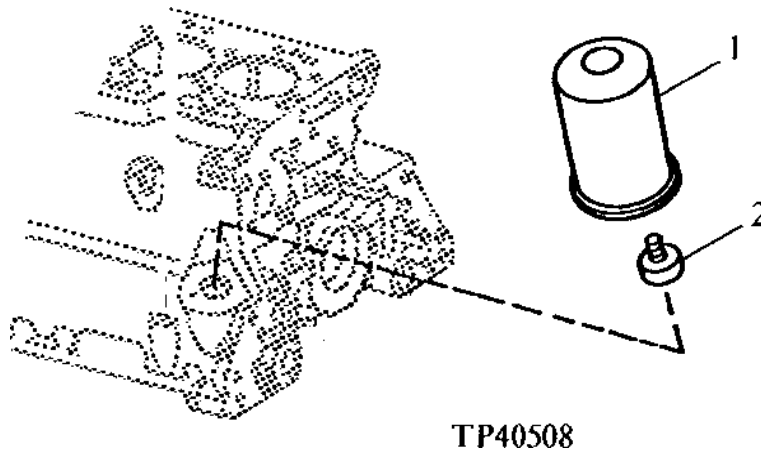
6359 AND 6068 ENGINES

ENGINE OIL FILTER

(6359)

(ENGINE SERIAL NO. -XXXXXX)

TP40508 -UN-27OCT94



KEY	PART NO.	PART NAME	QTY	ENGINE SERIAL NO.	REMARKS
1	T19044	OIL FILTER	1		
2	T23435	THREADED NIPPLE	1		

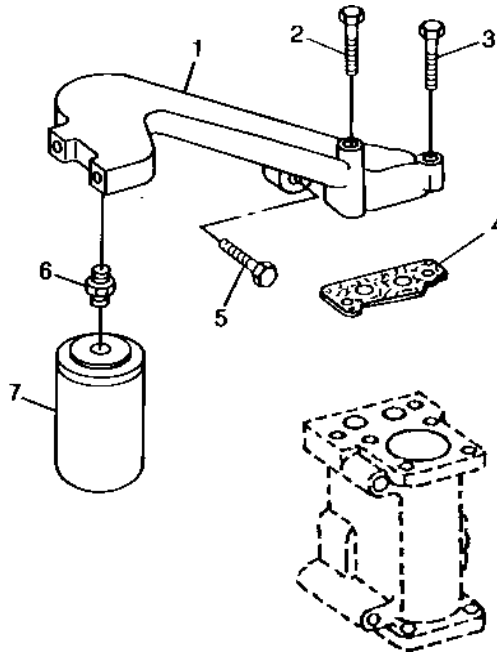
1H12

6359 AND 6068 ENGINES

ENGINE OIL FILTER

(6068)

(ENGINE SERIAL NO. XXXXXX-)
 TP40506 -UN-26OCT94



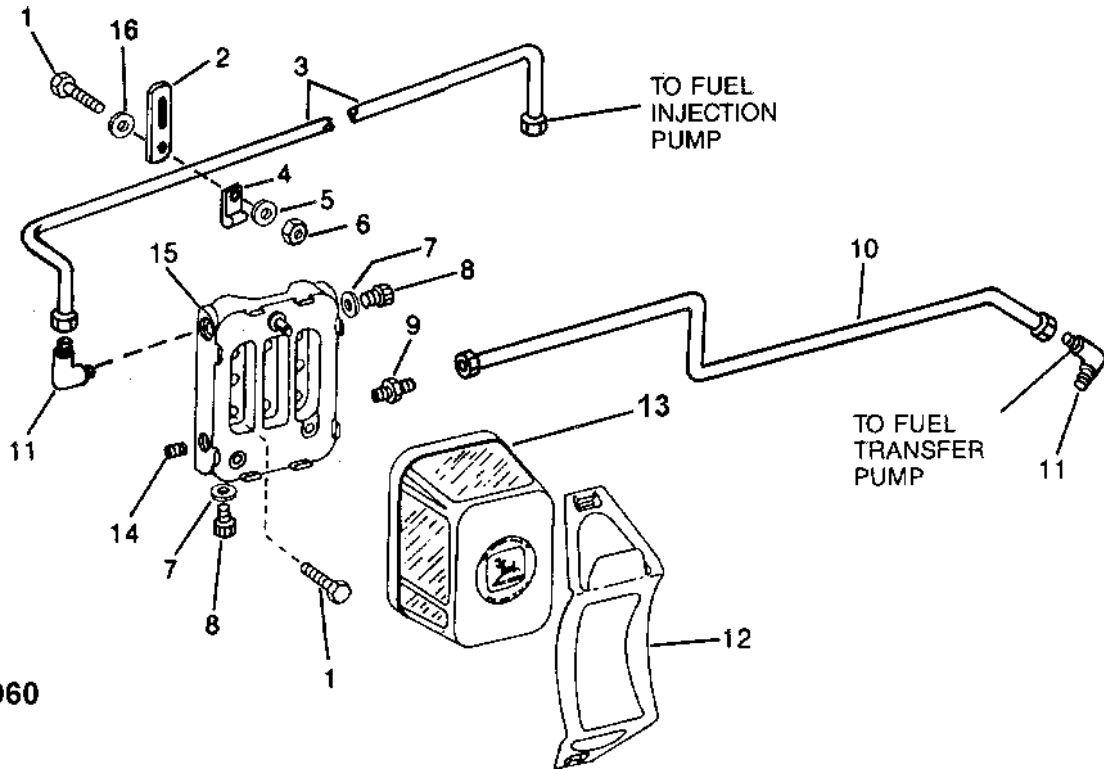
TP40506

KEY	PART NO.	PART NAME	QTY	ENGINE SERIAL NO.	REMARKS
1	R109887	ADAPTER	1		
2	19H1944	CAP SCREW	1	3/8" X 2-3/4"	
3	19H1800	CAP SCREW	1	3/8" X 1-1/2"	
4	R98488	GASKET	1		
5	19H2552	CAP SCREW	1	3/8" X 1-1/8"	
6	R54823	ADAPTER	1		
7	T19044	OIL FILTER	1		

1H13

6359 AND 6068 ENGINES

FUEL FILTER
(6359AH001)
(ENGINE SERIAL NO. -337245)
 TP55960 -UN-22FEB99



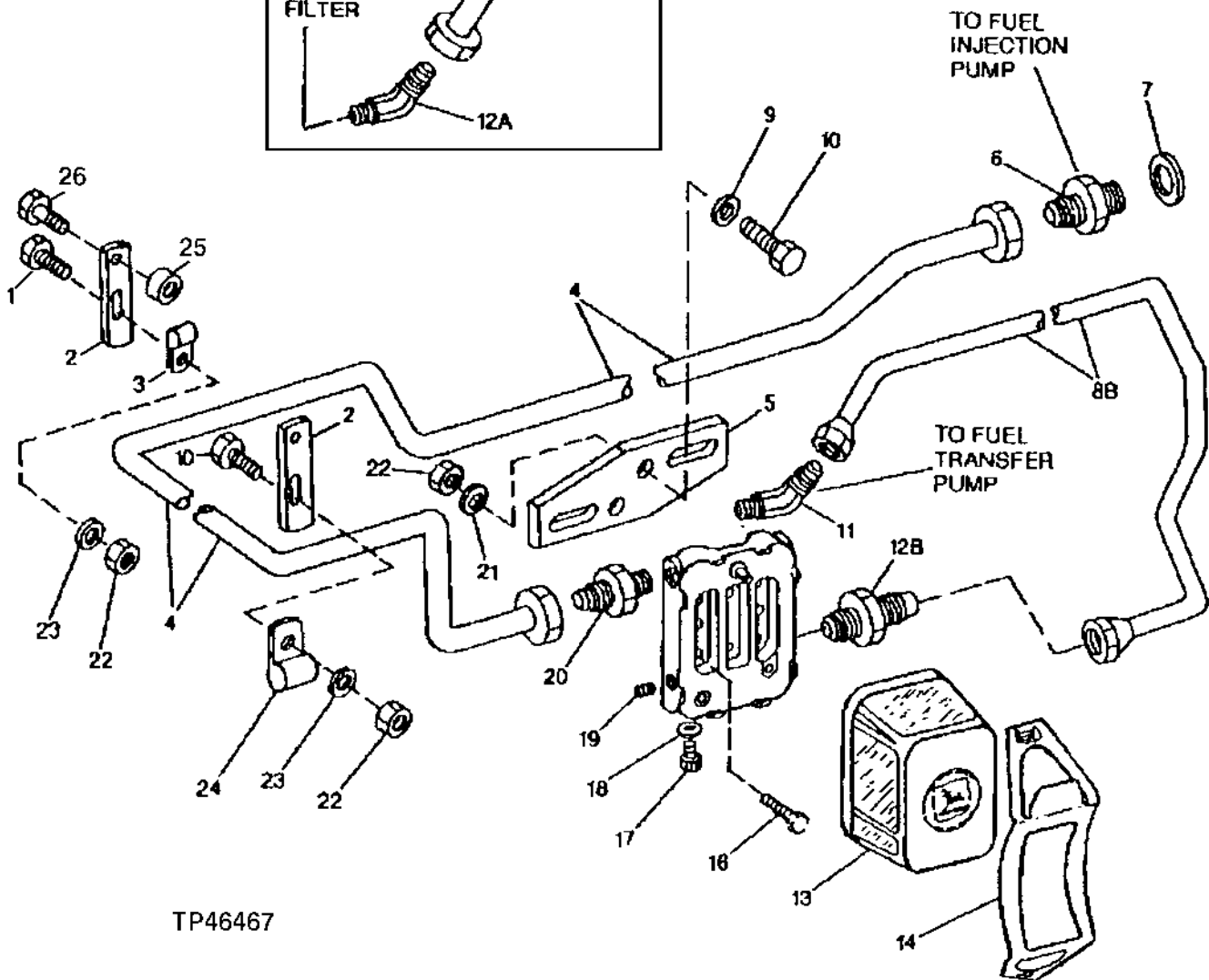
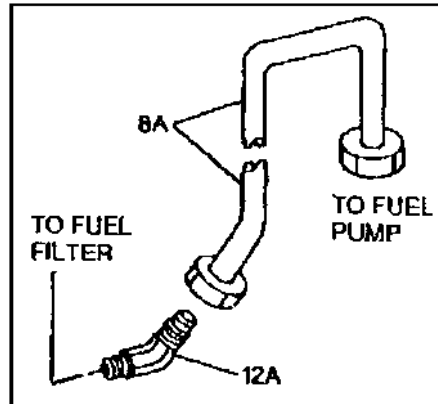
TP55960

KEY	PART NO.	PART NAME	QTY	ENGINE SERIAL NO.	REMARKS
1	19H2284	CAP SCREW	3	3/8" X 7/8"	
2	R56588	STRAP	1		
3	RE24185	OIL LINE	1		
4	T14050	CLAMP	1	(SUB FOR T29527, THIS APPLICATION)	
5	12H304	LOCK WASHER	AR	3/8"	
6	N10215	LOCK NUT	1	3/8", (SUB FOR 14H1076 AND 14H812, THIS APPLICATION)	
7	R34447	WASHER	2		
8	R48071	DRAIN PLUG	2		
9	R27346	FITTING	1		
10	AR84732	FUEL LINE	1		
11	R82131	ELBOW FITTING	2		
12	R66821	CLAMP	1		
13	AR86745	FILTER ELEMENT	1		
14	R104592	PIPE PLUG	1	(SUB FOR 15H558, THIS APPLICATION)	
15	AR50040	HOUSING	1		
16	24H1136	WASHER	1	11/32" X 11/16" X 0.065"	

1H14

6359 AND 6068 ENGINES

FUEL FILTER AND FUEL LINES
(6068HH001)
(ENGINE SERIAL NO.337246-701275)
TP46467 -UN-01MAY95



TP46467

1H15

6359 AND 6068 ENGINES

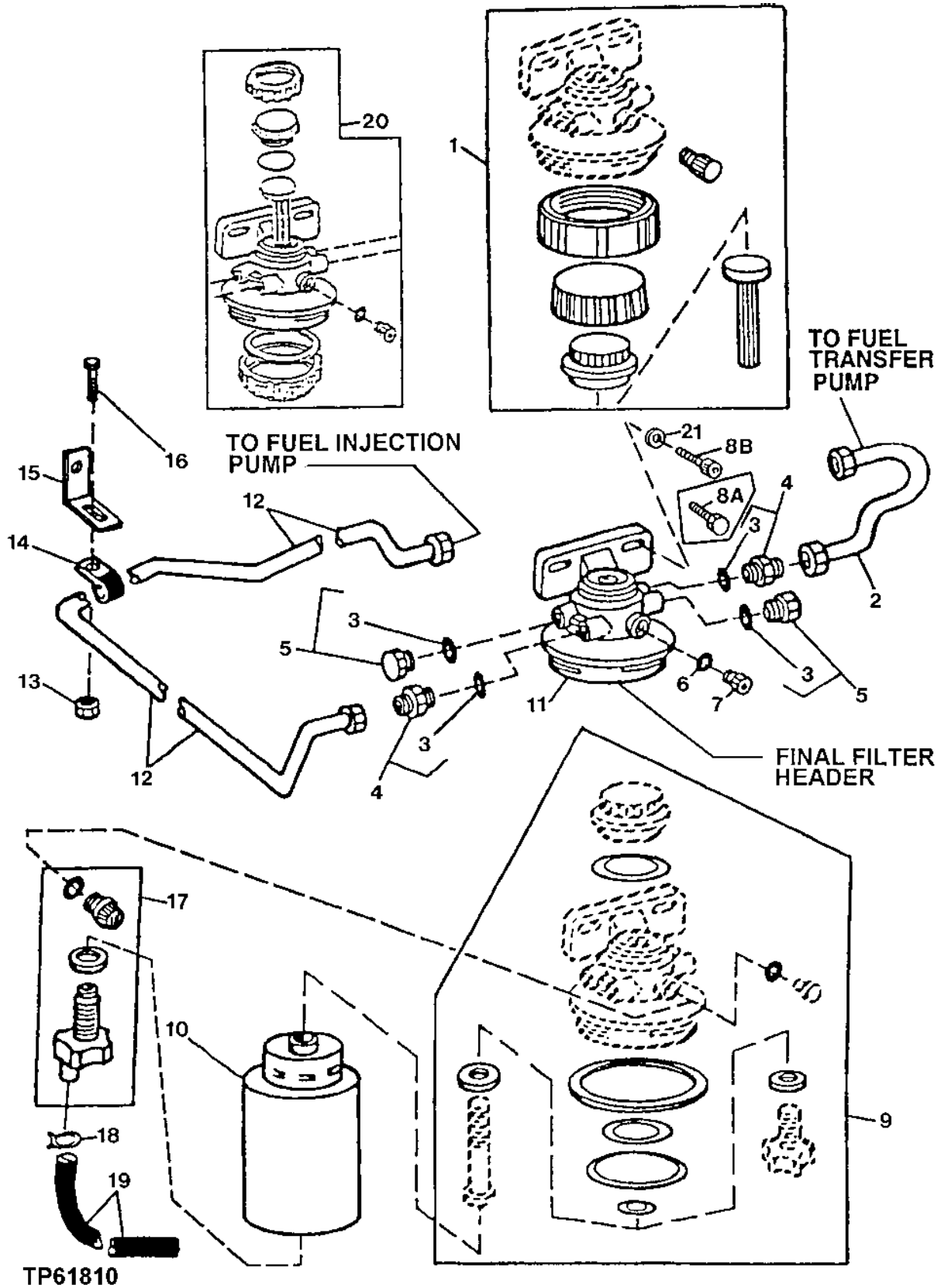
**FUEL FILTER AND FUEL LINES
(6068HH001)
(ENGINE SERIAL NO.337246-701275)**

KEY	PART NO.	PART NAME	QTY	ENGINE SERIAL NO.	REMARKS
1	R122618	SCREW	1		
2	R56588	STRAP	2		
3	T14050	CLAMP	1		(SUB FOR T29527, THIS APPLICATION)
4	RE57240	FUEL LINE	1		(SUB FOR RE44142) (FUEL FILTER TO FUEL INJECTION PUMP)
5	R106867	BRACKET	1		
6	R27272	FITTING	1		
7	R26286	O-RING	1		
8A	RE44145	FUEL LINE	1	-337245	(6359) (FUEL FILTER TO FUEL TRANSFER PUMP)
8B	RE45348	FUEL LINE	1	337246-	(6068)
9	24M7239	WASHER	2		10.700 X 21 X 2.500 MM
10	19H2284	CAP SCREW	3		3/8" X 7/8"
11	R82131	ELBOW FITTING	1		
12A	M43551	ELBOW FITTING	1	-337245	(6359)
12B	R27346	FITTING	1	337246-	(6068)
13	AR86745	FILTER ELEMENT	1		
14	R66821	CLAMP	1		
15	AR50040	HOUSING	1		
16	19H2676	CAP SCREW	2		3/8" X 1"
17	R48071	DRAIN PLUG	2		
18	R34447	WASHER	2		
19	R104592	PIPE PLUG	1		
20	R27346	FITTING	1		
21	24M7239	WASHER	AR		10.700 X 21 X 2.500 MM
22	N10215	LOCK NUT	3		3/8", (SUB FOR 14H1076, THIS APPLICATION)
23	24M7096	WASHER	2		0.413" X 0.709" X 0.063"
24	T29969	CLAMP	1		
25	28H1884	SPACER	1		0.493" X 0.675" X 1/2"
26	19H3408	CAP SCREW	1		3/8" X 1-3/4"

1H16

6359 AND 6068 ENGINES

FUEL FILTER AND FUEL FILTER LINES
(6068HH050)
(ENGINE SERIAL NO.701276-)
TP61810 -UN-09FEB99



1H17

6359 AND 6068 ENGINES

FUEL FILTER AND FUEL FILTER LINES
(6068HH050)
(ENGINE SERIAL NO.701276-)

KEY	PART NO.	PART NAME	QTY	ENGINE SERIAL NO.	REMARKS
1	RE51649	SEAL KIT	1		MECHANICAL
2	RE60037	FUEL LINE	1		
	R74012	SEALING WASHER	2		(NOT ILLUSTRATED)
3	51M7040	O-RING	1		
4	RE59487	FITTING	2		
5	RE56323	PLUG	2		
6	O-RING	1		
7	PLUG	1		
8A	19M7785	SCREW	2	-795805	M10 X 25
8B	19M8328	SCREW	2	795806-	M10 X 25
9	RE50752	SEAL KIT	1		FUEL FILTER
10	RE62419	FUEL FILTER	1		
11	RE63181	FILTER HEAD	1		(SUB RE500160) (ALSO ORDER (2) RE60029 AND (2) 51M7040)
12	RE60026	FUEL LINE	1		
13	14M7298	FLANGE NUT	1		M8
14	T14050	CLAMP	1		
15	R116116	BRACKET	1		
16	19M7865	SCREW	1		M8 X 16
17	RE60854	KIT	1		PLUG AND DRAIN
18	T13254	CLAMP	1		
19	HOSE	1		(MAKE FROM R126086,CUT TO LENGTH)
20	RE500160	KIT	1		FINAL FILTER
21	24M7096	WASHER	2	795806-	10.500 X 18 X 1.600 MM

1H18

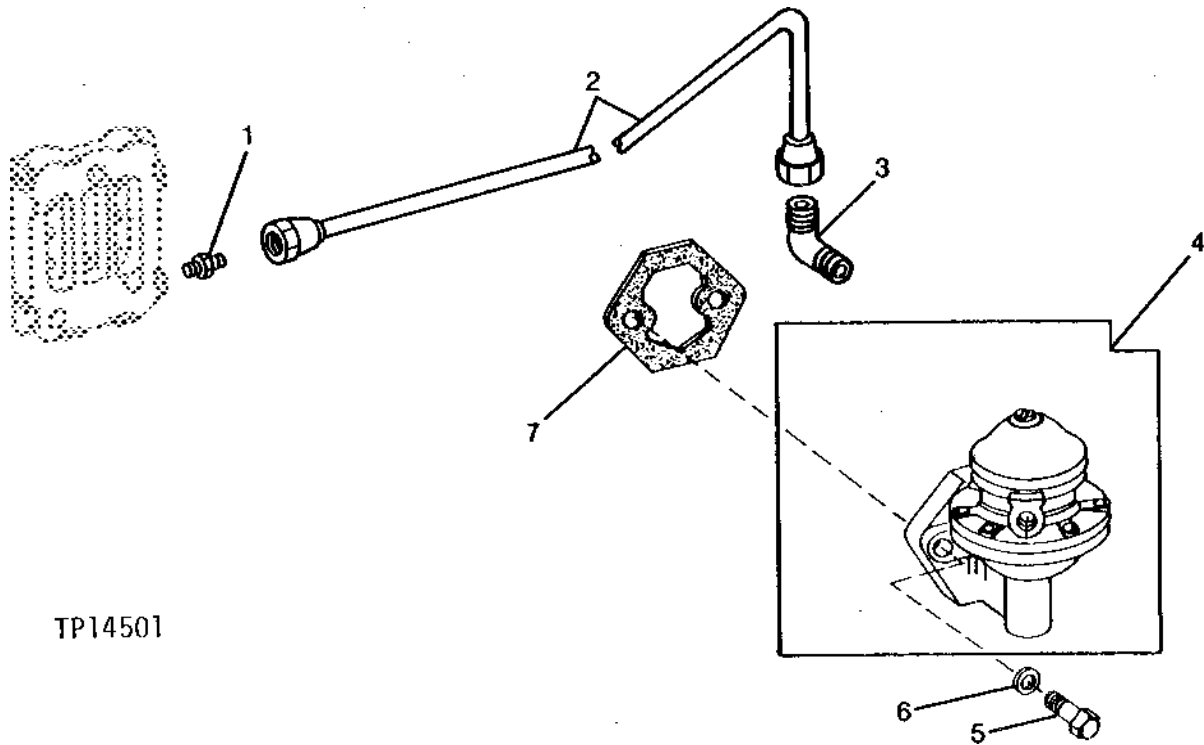
6359 AND 6068 ENGINES

FUEL TRANSFER PUMP

(6359AH001)(ENGINE SERIAL NO. -337245)

(6068HH001)(ENGINE SERIAL NO.337246-701275)

TP14501 -UN-01JAN94



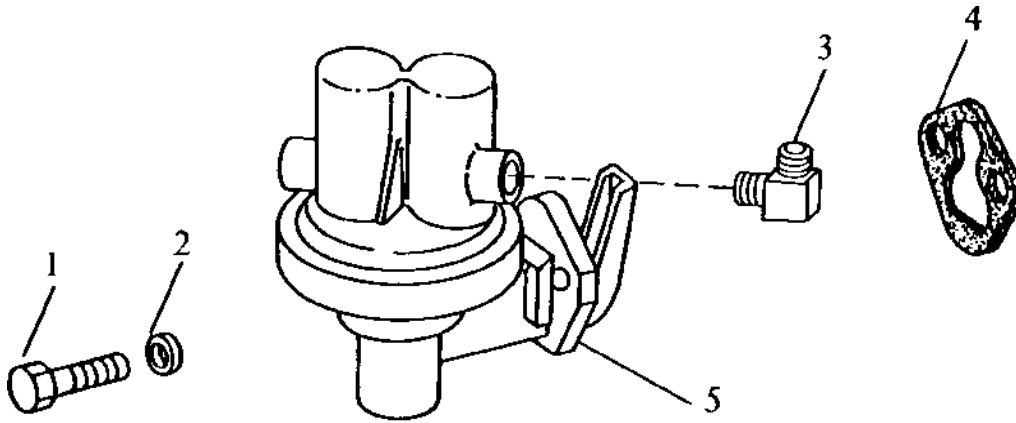
TP14501

KEY	PART NO.	PART NAME	QTY	ENGINE SERIAL NO.	REMARKS
1	R82131	ELBOW FITTING	1		45°
2	RE44145	FUEL LINE	1	-337245	
	RE45348	FUEL LINE	1	337246-	
3	R82131	ELBOW FITTING	1		90°
4	RE27667	FUEL PUMP	1		(USE IF AVAILABLE) (ALSO ORDER R97350) FUEL PUMP ASSEMBLY
	RE42211	FUEL PUMP	1		(SUB FOR RE27667) (ALSO ORDER R97350)
5	19H1849	CAP SCREW	2		5/16" X 1-1/4"
6	T27860	WASHER	2		
7	R97350	GASKET	1		

1H19

6359 AND 6068 ENGINES

FUEL TRANSFER PUMP
 (ENGINE SERIAL NO. 228967-)
 TP40494 -UN-27OCT94



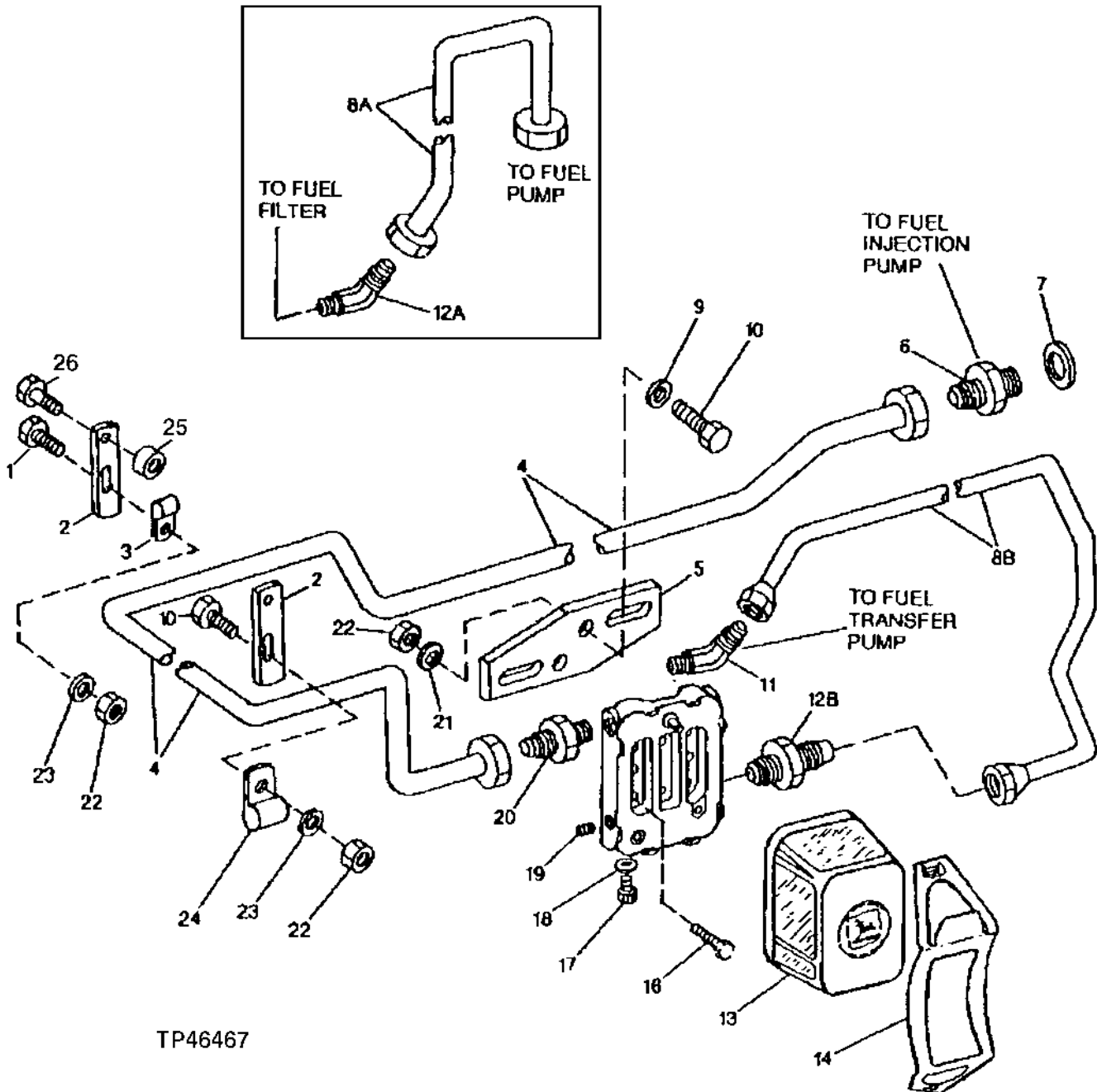
TP40494

KEY	PART NO.	PART NAME	QTY	ENGINE SERIAL NO.	REMARKS
1	19H1849	CAP SCREW	2		
2	T27860	WASHER	2		5/16" X 1-1/4"
3	R82131	ELBOW FITTING	1		
4	R97350	GASKET	1		
5	RE42211	FUEL PUMP	1		

1H20

6359 AND 6068 ENGINES

FUEL FILTER AND FUEL LINES
(ENGINE SERIAL NO. 228967-)
TP46467 -UN-01MAY95



1H21

6359 AND 6068 ENGINES

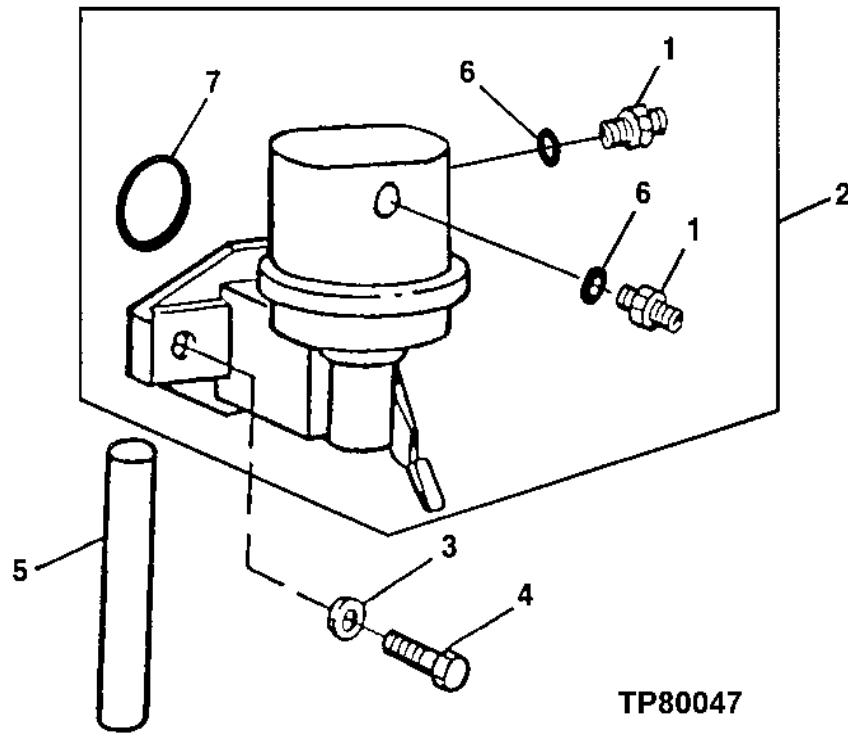
FUEL FILTER AND FUEL LINES - CONTINUED
(ENGINE SERIAL NO. 228967-)

KEY	PART NO.	PART NAME	QTY	ENGINE SERIAL NO.	REMARKS
1	R122618	SCREW	1		
2	R56588	STRAP	2		
3	T14050	CLAMP	1		
4	RE57240	FUEL LINE	1		(SUB FOR T29527, THIS APPLICATION) (SUB FOR RE44142) (FUEL FILTER TO FUEL INJECTION PUMP)
5	R106867	BRACKET	1		
6	R27272	FITTING	1		
7	R26286	O-RING	1		
8A	RE44145	FUEL LINE	1	-337245	(6359) (FUEL FILTER TO FUEL TRANSFER PUMP)
8B	RE45348	FUEL LINE	1	337246-	(6068)
9	24M7239	WASHER	2		10.700 X 21 X 2.500 MM
10	19H2284	CAP SCREW	3		3/8" X 7/8"
11	R82131	ELBOW FITTING	1		
12A	M43551	ELBOW FITTING	1	-337245	(6359)
12B	R27346	FITTING	1	337246-	(6068)
13	AR86745	FILTER ELEMENT	1		
14	R66821	CLAMP	1		
15	AR50040	HOUSING	1		
16	19H2676	CAP SCREW	2		3/8" X 1"
17	R48071	DRAIN PLUG	2		
18	R34447	WASHER	2		
19	R104592	PIPE PLUG	1		
20	R27346	FITTING	1		
21	24M7239	WASHER	AR		10.700 X 21 X 2.500 MM
22	N10215	LOCK NUT	3		3/8", (SUB FOR 14H1076, THIS APPLICATION)
23	24M7096	WASHER	2		0.413" X 0.709" X 0.063"
24	T29969	CLAMP	1		
25	28H1884	SPACER	1		0.493" X 0.675" X 1/2"
26	19H3408	CAP SCREW	1		3/8" X 1-3/4"

1H22

6359 AND 6068 ENGINES

FUEL TRANSFER PUMP
 (6068HH050)
 (ENGINE SERIAL NO.701276-)
 TP80047 -UN-15JAN99

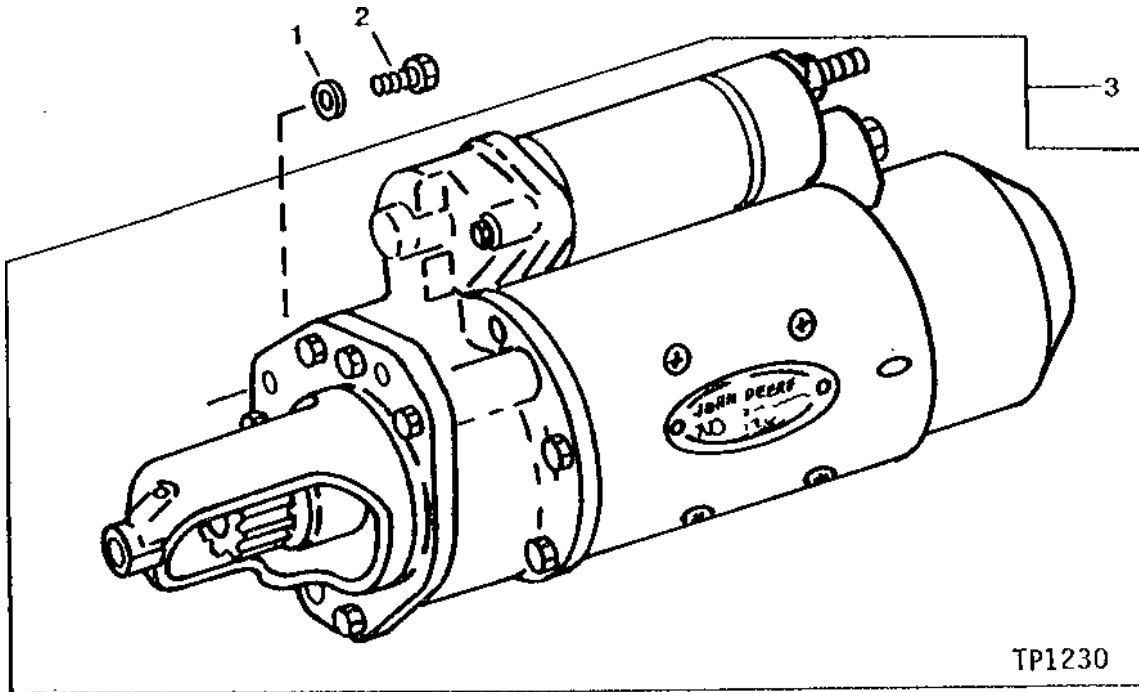


KEY	PART NO.	PART NAME	QTY	ENGINE SERIAL NO.	REMARKS
1	R500270	FITTING	2		
2	RE66153	FUEL PUMP	1		
3	24M7055	WASHER	2	8.400 X 16 X 1.600 MM	
4	RE66298	CAP SCREW	2		
5	R133405	ROD	1		
6	R500271	O-RING	2		
7	R123273	O-RING	1		

1H23

6359 AND 6068 ENGINES

STARTING MOTOR AND ATTACHING PARTS
 (12-VOLT) (JOHN DEERE)
 (6359AH001)
 (ENGINE SERIAL NO. -337245)
 TP1230 -UN-01JAN94

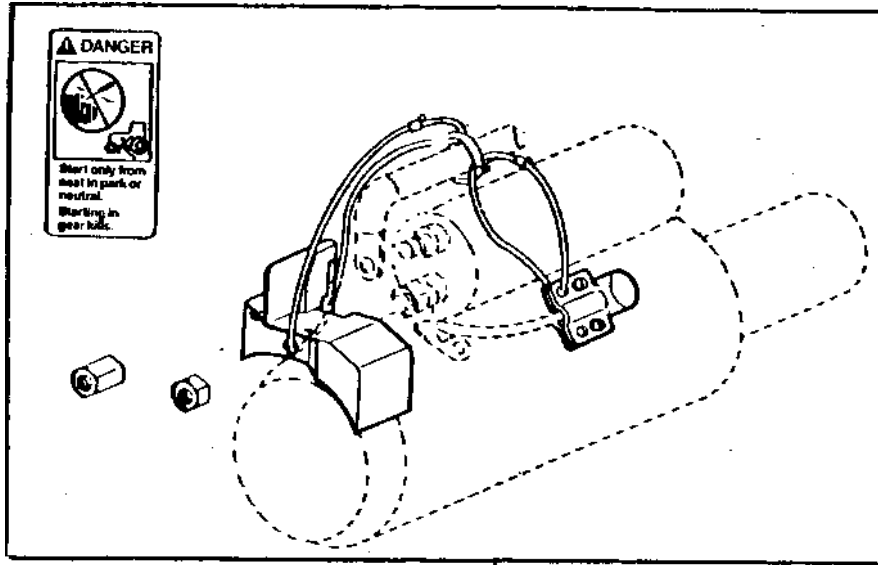


KEY	PART NO.	PART NAME	QTY	ENGINE SERIAL NO.	REMARKS
1	12H304	LOCK WASHER	3	3/8"	
2	19H3239	CAP SCREW	3	3/8" X 1-1/4"	
3	RE41880	STARTER MOTOR KIT	1	(12-VOLT) (JOHN DEERE) (NEW) (CONTAINS RE39064) (SUB FOR RE23900)	
	TY6725	STARTER MOTOR	1	(12-VOLT) (REMANUFACTURED) (JOHN DEERE) (INCLUDES SOLENOID COVER KIT)	

1H24

6359 AND 6068 ENGINES

STARTER SOLENOID COVER KIT
(6359AH001)
(ENGINE SERIAL NO. -337245)
TP26690 -UN-01JAN94



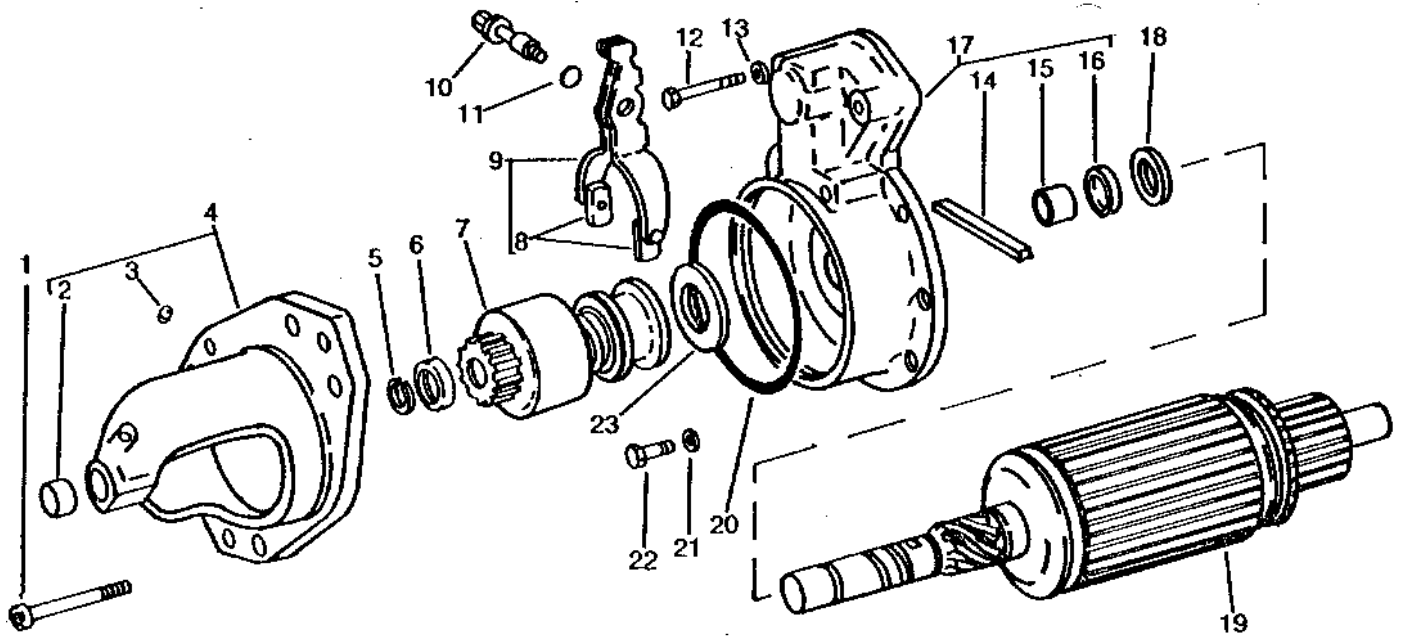
TP26690

KEY	PART NO.	PART NAME	QTY	SERIAL NO.	REMARKS
1	RE39064	SHIELD	1		(USE WITH RE23900, RE41880 AND TY6725)

1H25

6359 AND 6068 ENGINES

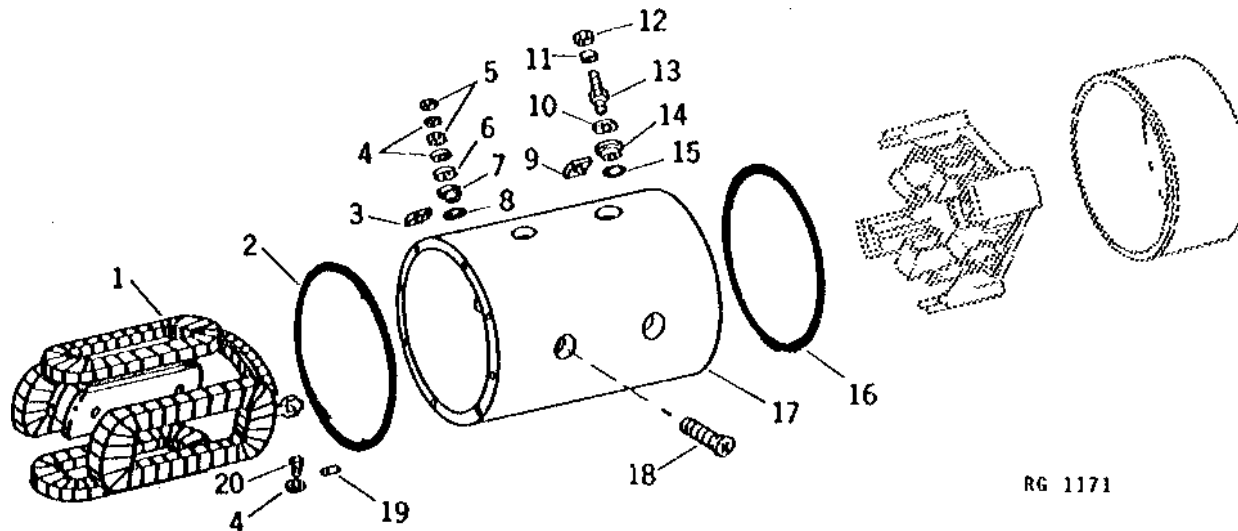
STARTER DRIVE HOUSING AND ARMATURE
 (12-VOLT) (JOHN DEERE)
 (6359AH001)
 (ENGINE SERIAL NO. -337245)
 TP1233 -UN-01JAN94



TP1233

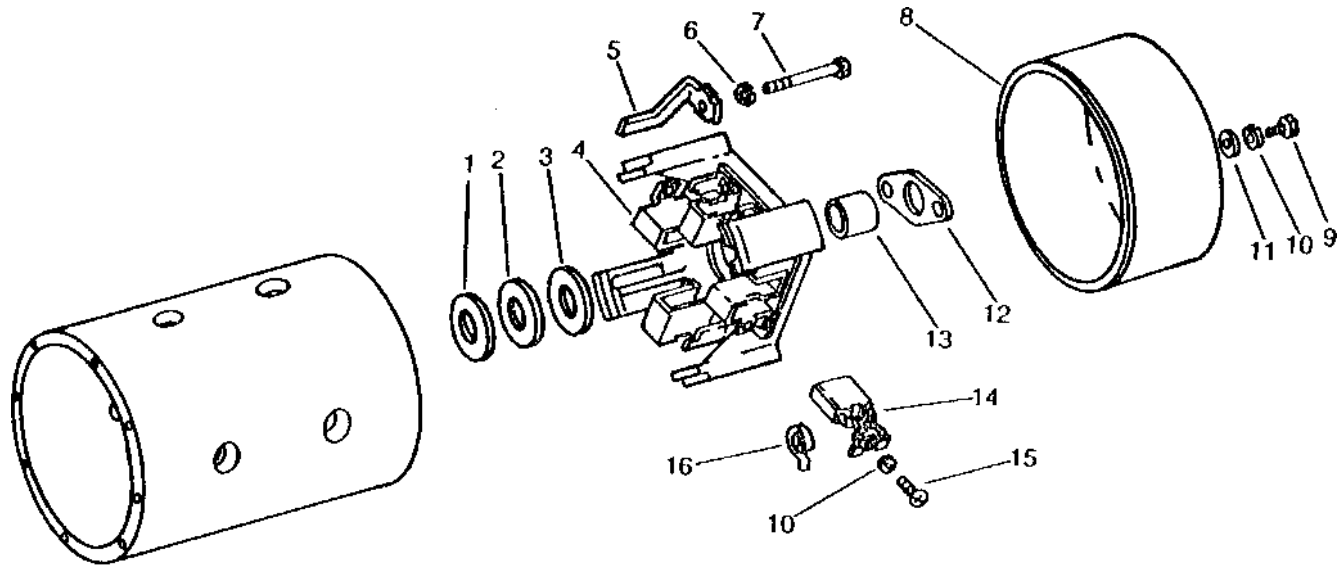
KEY	PART NO.	PART NAME	QTY	ENGINE SERIAL NO.	REMARKS
1	R50900	SCREW	6		
2	R50891	BUSHING	1		
3	R50892	PLUG	1		
4	RE25912	HOUSING	1		DRIVE
5	R50902	SNAP RING	1		
6	R50903	STOP	1		PINION
7	AR54992	DRIVE	1		DRIVE
8	R51667	WEAR PLATE	2		
9	AR67827	ARM	1		
10	R50897	SHAFT	1		
11	R52387	O-RING	1		
12	R50893	SCREW	2		
13	12H302	LOCK WASHER	2		1/4"
14	R51666	WICK	1		
15	R51665	BUSHING	1		
16	AR55947	SEAL	1		OIL CENTER
17	AR68430	HOUSING	1		
18	R50906	THRUST WASHER	1		
19	AR66778	ARMATURE	1		
20	R50901	WASHER	1		
21	12H317	LOCK WASHER	2		9/16"
22	R51661	SCREW	2		
23	R50905	WEAR RING	1		

STARTER MAIN FRAME AND COIL
(12-VOLT) (JOHN DEERE)
(6359AH001)
(ENGINE SERIAL NO. -337245)
 RG1171 -UN-01JAN94



KEY	PART NO.	PART NAME	QTY	ENGINE SERIAL NO.	REMARKS
1	RE13731	FIELD WINDING COIL	1		
2	R50913	O-RING	1		
3	R50916	WASHER	1		SQUARE
4	12H246	LOCK WASHER	3		0.190"
5	R50907	NUT	2		
6	24H1283	WASHER	1		7/32" X 1/2" X 0.049"
7	R50914	WASHER	1		INSULATOR
8	R50915	O-RING	1		
9	R50920	BUSHING	1		INSULATOR
10	R50917	WASHER	1		
11	R50899	LOCK WASHER	1		
12	R50909	NUT	1		
13	R56802	STUD	1		FIELD TERMINAL
14	R50918	WASHER	1		INSULATOR
15	R50919	O-RING	1		
16	R50922	O-RING	1		
17	HOUSING	1		(SUB RE41880)
18	R50921	SCREW	8		FIELD POLE SHOE
19	R51664	DOWEL PIN	1		
20	R50931	SCREW	1		

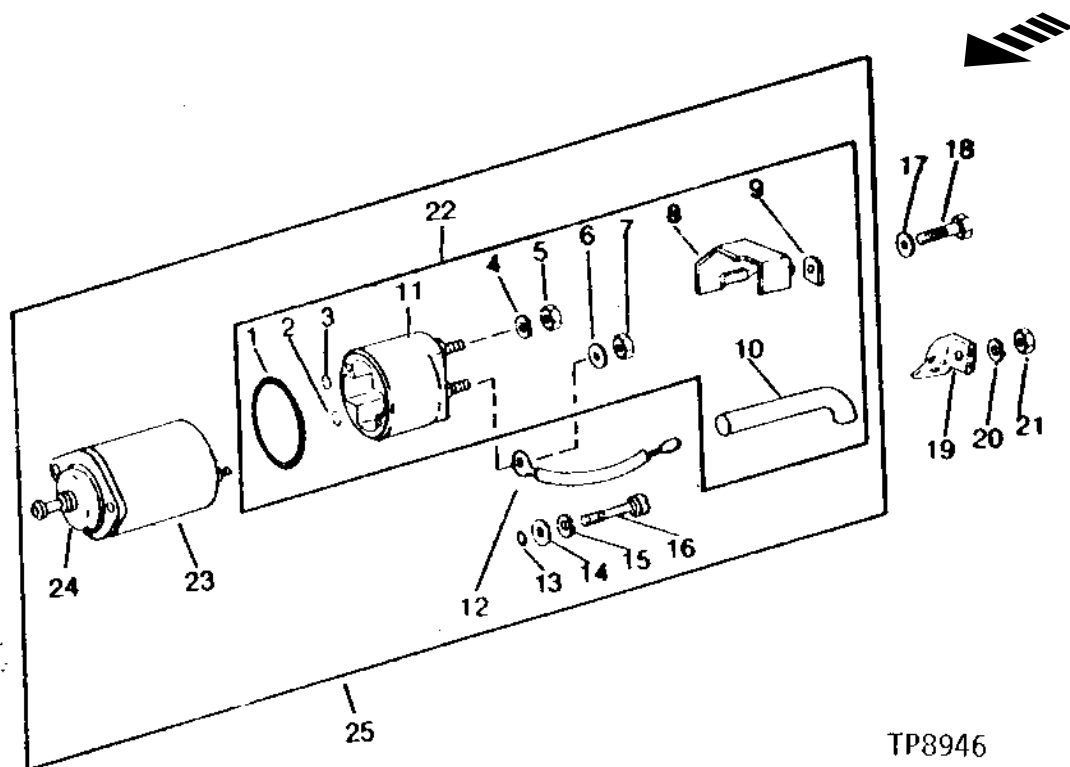
STARTER COMMUTATOR END FRAME
(12-VOLT) (JOHN DEERE)
(6359AH001)
(ENGINE SERIAL NO. -337245)
 TP1238 -UN-01JAN94



TP1238

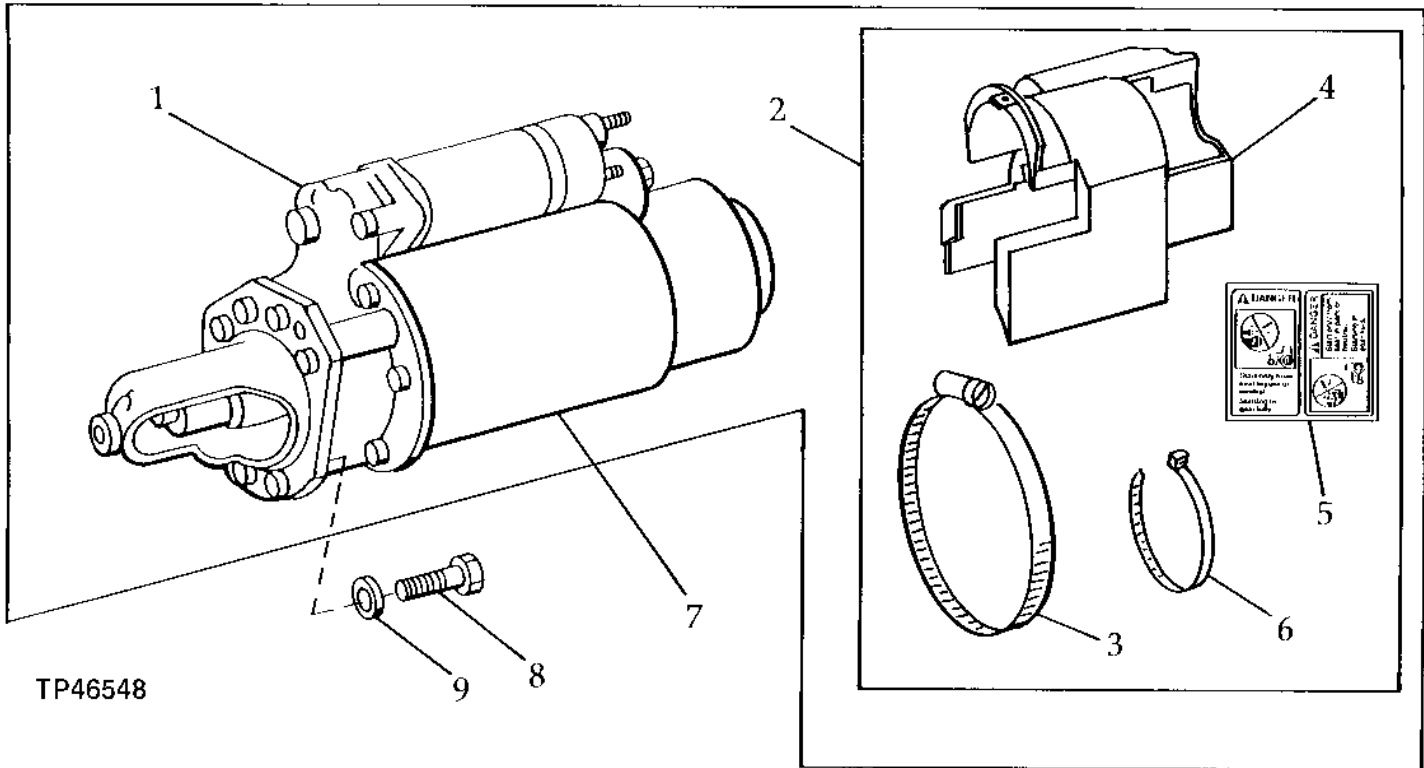
KEY	PART NO.	PART NAME	QTY	ENGINE SERIAL NO.	REMARKS
1	R50923	SHIM	AR		0.18 MM (.007")
2	R50924	SHIM	AR		0.48 MM (.019")
3	R50925	THRUST WASHER	1		
4	AR54997	FRAME	1		
5	R51660	BRACKET	2		
6	12H317	LOCK WASHER	2		9/16"
7	R51659	SCREW	2		
8	R50912	COVER	1		END COVER
9	R50931	SCREW	2		
10	12H246	LOCK WASHER	6		0.190"
11	24H1283	WASHER	2		7/32" X 1/2" X 0.049"
12	R50930	GASKET	1		
13	R50891	BUSHING	1		
14	R50927	CARBON BRUSH CONDUCTOR	4		
15	R50929	SCREW	4		
16	R50928	SPRING	4		BRUSH

STARTER SOLENOID SWITCH
(JOHN DEERE)
(6359AH001)
(ENGINE SERIAL NO. -337245)
 TP8946 -UN-01JAN94



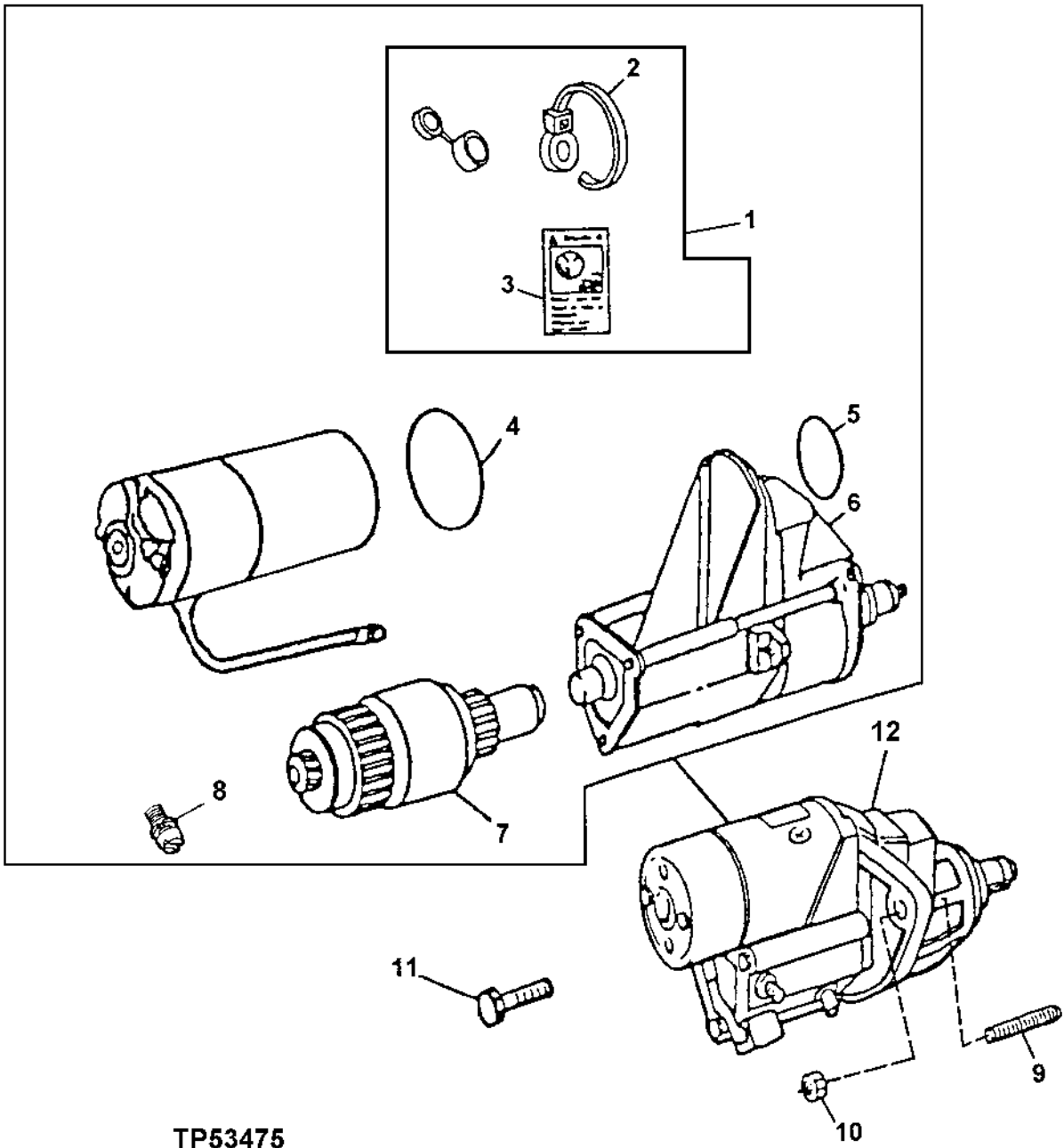
KEY	PART NO.	PART NAME	QTY	ENGINE SERIAL NO.	REMARKS
1	R68224	GASKET	1		
2	R56792	WASHER	1		
3	R56793	SHIM	1		
4	12H303	LOCK WASHER	1	5/16"	
5	R51671	NUT	1		
6	12H246	LOCK WASHER	1	0.190"	
7	14H631	NUT	2	0.190"	
8	COVER	1		(R76139 NO LONGER AVAILABLE) (SUB RE39064)
9	R68223	PLATE	1		
10	R68222	HOSE	1		
11	COVER	1		(SUB RE13733)
12	RE15058	WIRE	1		
13	R50894	O-RING	2		
14	24H1305	WASHER	2	13/32" X 13/16" X 0.065"	
15	12H302	LOCK WASHER	2	1/4"	
16	R51669	SCREW	2		
17	R51662	WASHER	1		
18	AR55946	SCREW	1		WITH WASHER
19	R50910	CONNECTOR	1		
20	R50899	LOCK WASHER	2		
21	14H732	NUT	2	3/8"	
22	RE13733	SWITCH	1		SOLENOID
23	SWITCH	1		(SUB RE13732)
24	R52385	BOOT	1		
25	RE13732	SOLENOID	1		SOLENOID

STARTING MOTOR
(JOHN DEERE) (12-VOLT)
(6068HH001)
(ENGINE SERIAL NO. 337246-701275)
 TP46548 -UN-02OCT95



KEY	PART NO.	PART NAME	QTY	SERIAL NO.	REMARKS
1	STARTER MOTOR	1		
2	RE45329	COVER	1		
3	TY22471	CLAMP	1		
4	COVER	1		
5	T146102	LABEL	1		
6	R76477	TIE BAND	1		
7	RE65191	STARTER MOTOR	1		(SUB FOR RE43425 AND RE55421) (SUB RE70959)
	RE70959	STARTER MOTOR KIT	1		
8	19H3411	CAP SCREW	3		3/8" X 1-1/8"
9	12H304	LOCK WASHER	3		3/8", (USE WITH 19H3239)

STARTING MOTOR AND SOLENOID PROTECTIVE COVER-BYPASS START
 (12 VOLT LH NIPPONDENSO)
 (6068HH001)
 (ENGINE SERIAL NO.337246-701275)
 TP53475 -UN-04SEP97

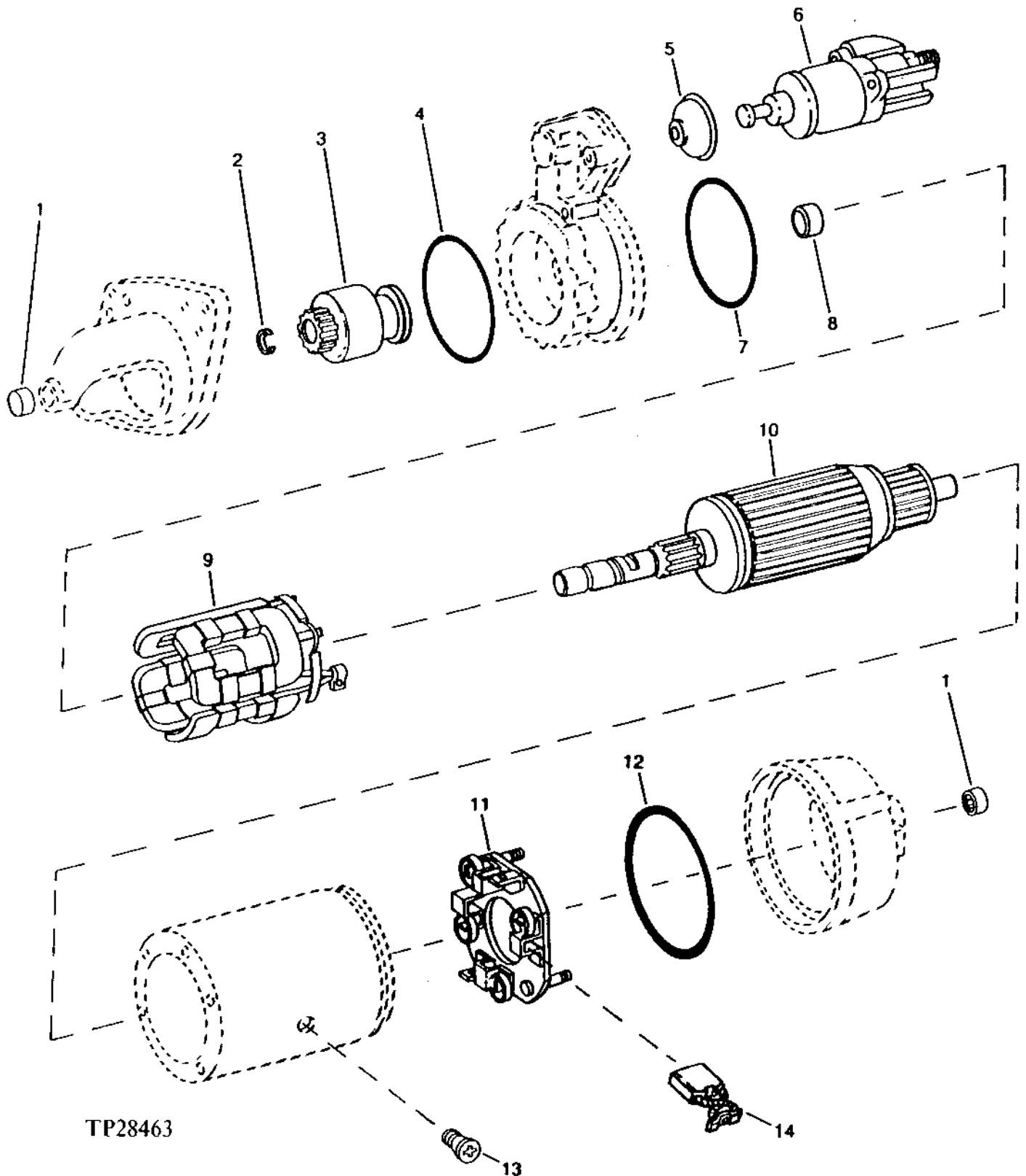


TP53475

STARTING MOTOR AND SOLENOID PROTECTIVE COVER-BYPASS START
 (12 VOLT LH NIPPONDENSO)
 (6068HH001)
 (ENGINE SERIAL NO.337246-701275)

KEY	PART NO.	PART NAME	QTY	ENGINE SERIAL NO.	REMARKS
1	RE70756	KIT	1		BYPASS START
2	R96703	TIE BAND	1		
3	T146102	LABEL	1		BYPASS START
4	R135509	SEAL	1		
5	R135510	O-RING	1		
6	RE70679	SWITCH	1		
7	RE70682	CLUTCH	1		
8	RE71256	SCREW, WITH WASHER	1		
9	R136100	STUD	1		
10	14M7334	FLANGE NUT	2	M10	
11	19M7786	SCREW	2	M10 X 30	
12	RE70959	STARTER MOTOR KIT	1		

STARTING MOTOR DRIVE, HOUSING AND ARMATURE
(JOHN DEERE 12-VOLT)
(6068HH001)
(ENGINE SERIAL NO. 337246-701275)
TP28463 -UN-01JAN94

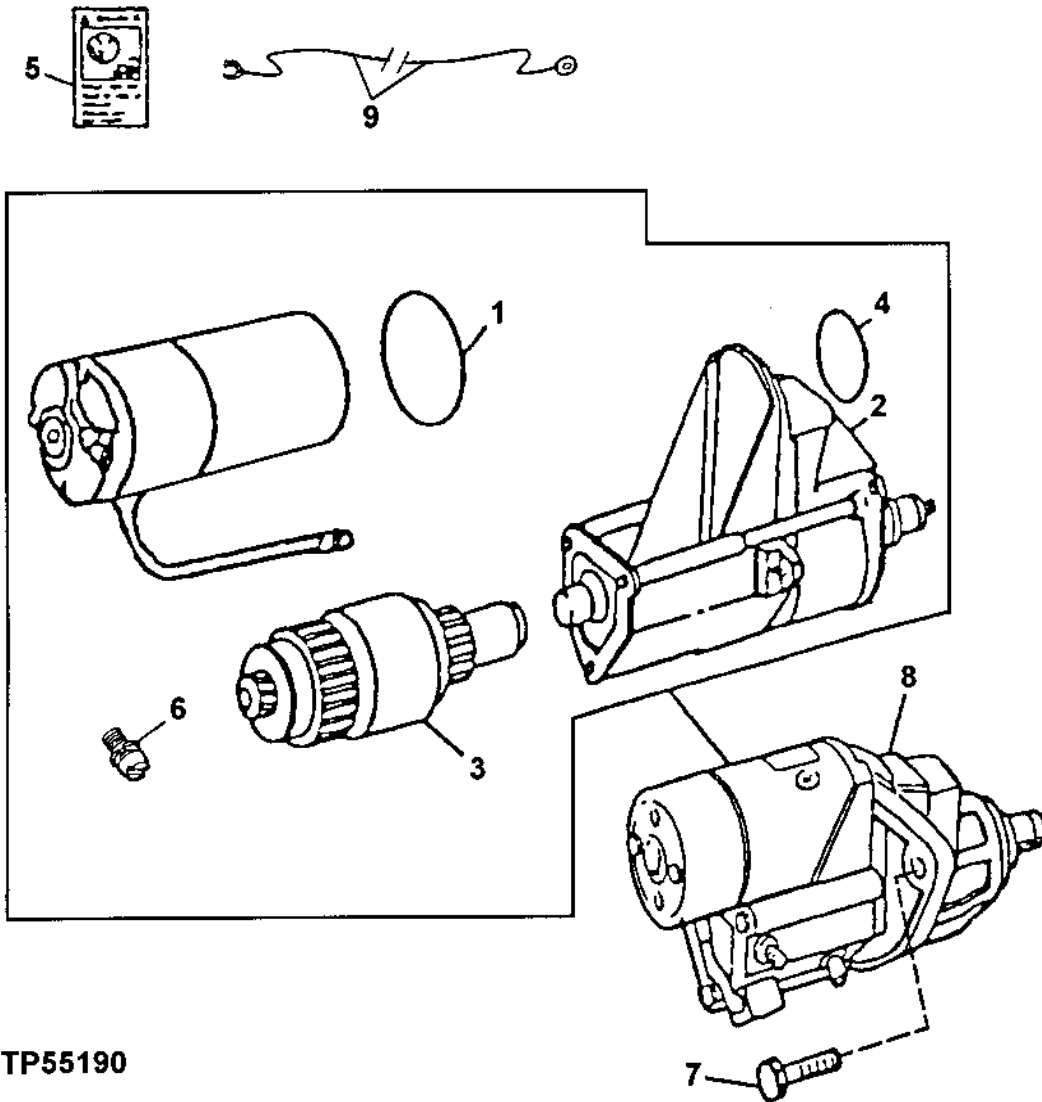


TP28463

STARTING MOTOR DRIVE, HOUSING AND ARMATURE
 (JOHN DEERE 12-VOLT)
 (6068HH001)
 (ENGINE SERIAL NO. 337246-701275)

KEY	PART NO.	PART NAME	QTY	ENGINE SERIAL NO.	REMARKS
1	RE39251	NEEDLE BEARING	2		
2	R50902	SNAP RING	1		
3	RE39249	CLUTCH	1		
4	R50901	WASHER	1		
5	R100513	COVER	1		
6	RE42777	SWITCH	1		
7	R100511	O-RING	1		
8	R100509	BUSHING	1		
9	RE39243	FIELD WINDING COIL	1		
10	RE39245	ARMATURE	1		
11	RE39250	CARBON BRUSH HOLDER	1		
12	R100512	O-RING	1		
13	R100508	SCREW	4		
14	RE39247	BRUSH	4		

STARTING MOTOR (12 VOLT) LH
(6068HH050)
(ENGINE SERIAL NO.701276-)
TP55190 -UN-04SEP97



TP55190

1110

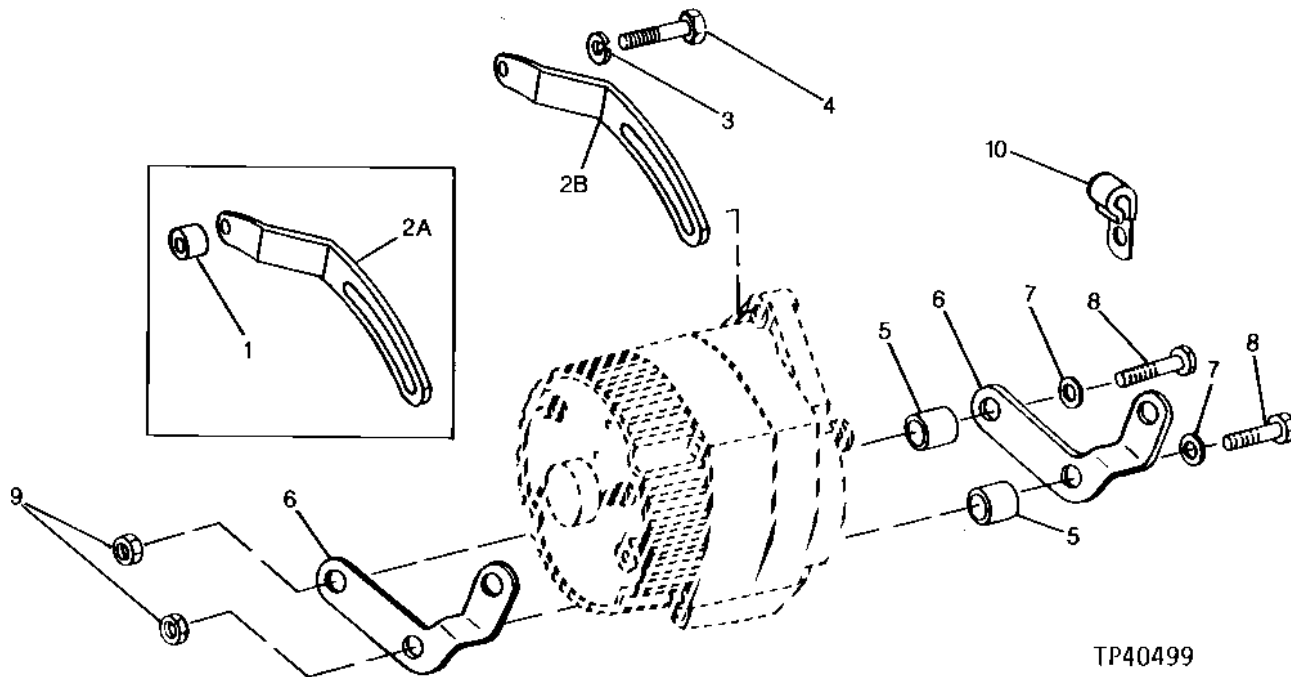
6359 AND 6068 ENGINES

STARTING MOTOR (12 VOLT) LH
(6068HH050)
(ENGINE SERIAL NO.701276-)

KEY	PART NO.	PART NAME	QTY	ENGINE SERIAL NO.	REMARKS
1	R135510	O-RING	1		
2	RE70486	SWITCH	1		
3	RE70487	CLUTCH	1		
4	R135509	SEAL	1		
5	T146102	LABEL	1		BYPASS START
6	RE71256	SCREW, WITH WASHER	1		
7	19M7786	SCREW	3		M10 X 30
8	RE70957	STARTER MOTOR KIT	1		
9	AH155483	WIRING LEAD	1		

ALTERNATOR MOUNTING BRACKETS

(6359AH001)(ENGINE SERIAL NO. -337245)
 (6068HH001)(ENGINE SERIAL NO.337246-701275)
 TP40499 -UN-26OCT94

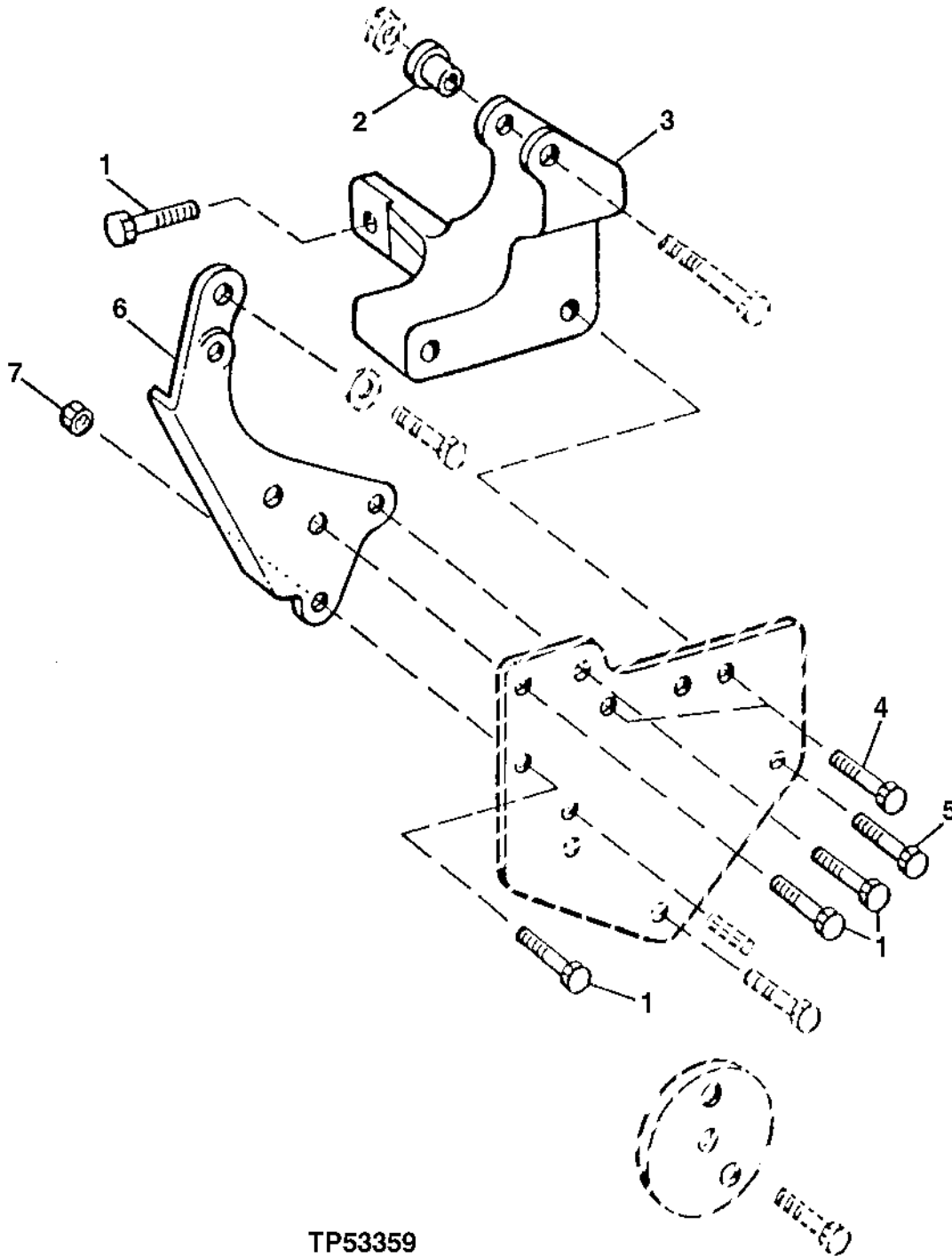


TP40499

KEY	PART NO.	PART NAME	QTY	ENGINE SERIAL NO.	REMARKS
1	28H1518	WASHER	1	-337245	0.493" X 0.675" X 5/16", (6359)
2A	R108404	STRAP	1	-337245	(6359) (SUB FOR T20204 AND R107734)
2B	R110098	STRAP	1	337246-	(6068)
3	24M7106	WASHER	1		10 X 18 X 2.500 MM
4	19H1726	CAP SCREW	AR		3/8" X 2-1/4"
	19H3065	CAP SCREW	1		3/8" X 2"
5	28H862	SPACER	2		0.423" X 0.675" X 7/16"
6	R57260	BRACKET	2		
7	24M7106	WASHER	AR		10 X 18 X 2.500 MM
8	19H3743	CAP SCREW	2		3/8" X 2-7/8"
9	N10215	LOCK NUT	2		3/8", (SUB FOR 14H1076, THIS APPLICATION)
10	T19935	CLAMP	2		(SUB FOR AH89557, THIS APPLICATION)

MEMORANDA

ALTERNATOR MOUNTING BRACKETS
(6068HH050)
(ENGINE SERIAL NO.701276-)
TP53359 -UN-07NOV96

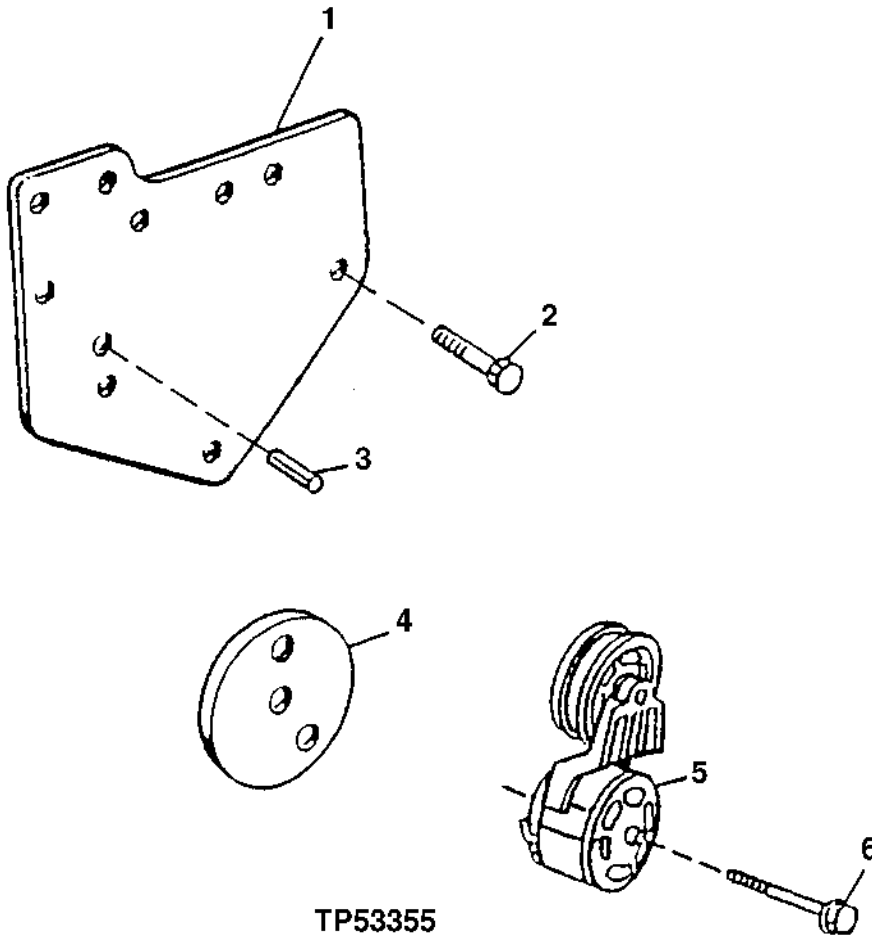


TP53359

ALTERNATOR MOUNTING BRACKETS
(6068HH050)
(ENGINE SERIAL NO.701276-)

KEY	PART NO.	PART NAME	QTY	ENGINE SERIAL NO.	REMARKS
1	19M7786	SCREW	5	M10 X 30	
2	R100377	BUSHING	1		
3	R132166	BRACKET	1		
4	19M7785	SCREW	2	M10 X 25	
5	19M7801	SCREW	1	M8 X 60	
6	R132167	STRAP	1		
7	14M7296	FLANGE NUT	3	M10	

FAN DRIVE, PULLEYS AND BELT TENSIONERS
(6068HH050)
(ENGINE SERIAL NO. 701276-)
TP53355 -UN-04NOV96



TP53355

1115

6359 AND 6068 ENGINES

FAN DRIVE,PULLEYS AND BELT TENSIONERS
(6068HH050)
(ENGINE SERIAL NO.701276-)

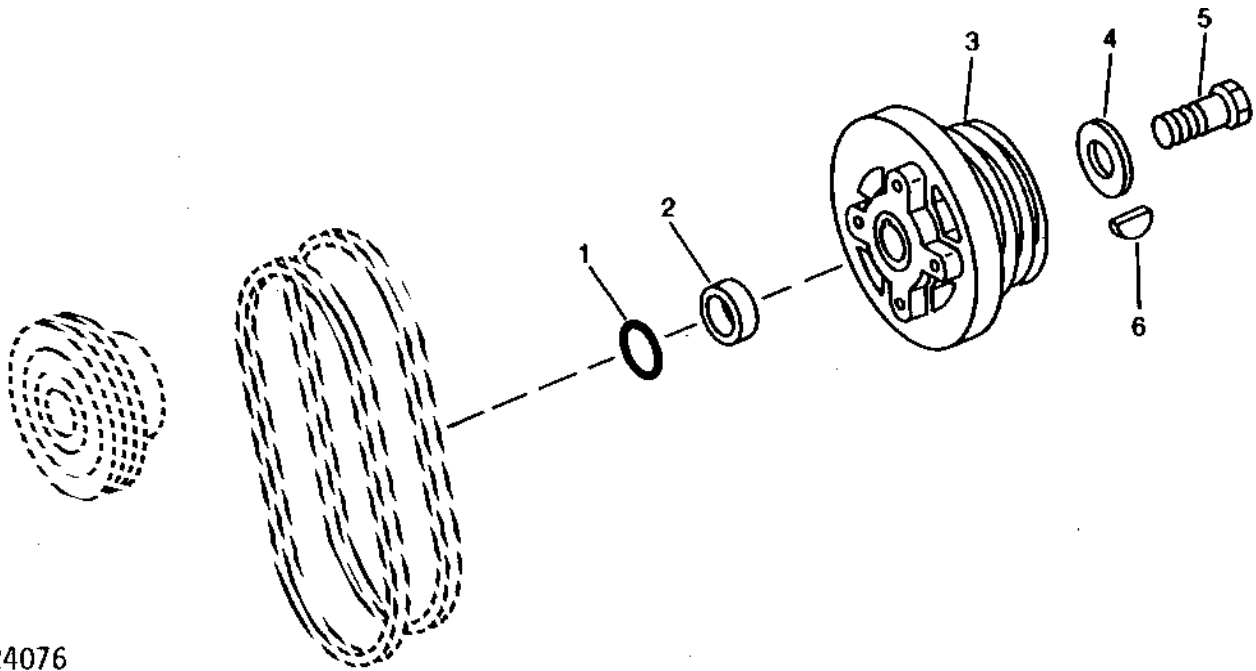
KEY	PART NO.	PART NAME	QTY	ENGINE SERIAL NO.	REMARKS
1	R132168	SUPPORT	1		
2	19M7801	SCREW	1	M8 X 60	
3	34M7061	SPRING PIN	1	8 X 20 MM	
4	R500321	SPACER	1	(SUB FOR R132169)	
5	RE70536	SHEAVE	1		
6	19M8131	SCREW	1	M10 X 70, (SUB FOR 19M7810 AND 19M8340)	

MEMORANDA

1116

6359 AND 6068 ENGINES

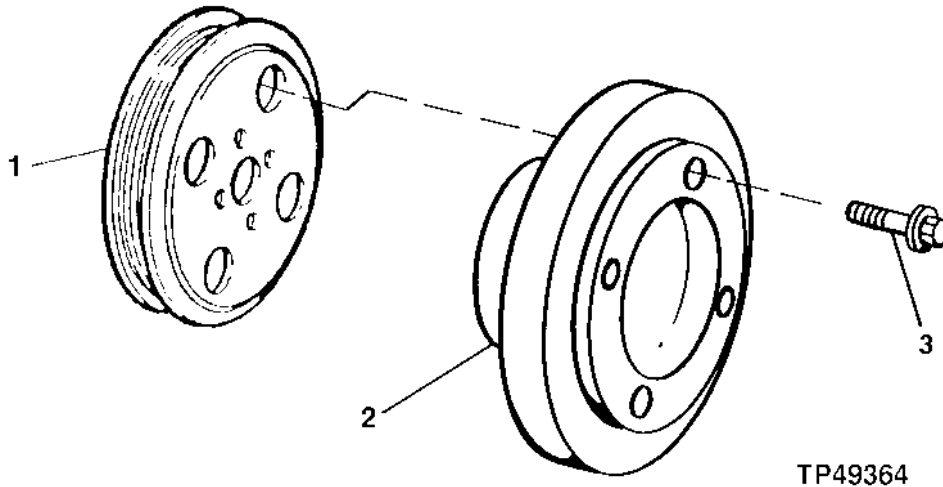
CRANKSHAFT PULLEY AND DAMPENER
 (6359AH001)(ENGINE SERIAL NO. -337245)
 (6068HH001)(ENGINE SERIAL NO.337246-701275)
 TP24076 -UN-01JAN94



TP24076

KEY	PART NO.	PART NAME	QTY	ENGINE SERIAL NO.	REMARKS
1	H35244	RING	1		
2	R81989	SLEEVE	1		
3	RE49384	PULLEY, WITH DAMPENER	1	-337245	(6359)
	RE26151	PULLEY, WITH DAMPENER	1	337246-	(6068)
4	CD16045	SPACER	1		(USE IF AVAILABLE)
	R109086	SPACER	1		(SUB FOR CD16045)
5	R84978	CAP SCREW	1		(6359) (USE WITH AT22562) (MARKED T23266) (USE WITH RE45517) (MARKED R108679)
	R85363	CAP SCREW	1		(6068)(USE WITH RE45517)(MARKED R104523) (USE WITH RE33687)(MARKED R54619)
					(6359) (USE WITH RE500895) (MARKED R108658) (USE WHEN REPLACEMENT CRANKSHAFT HAS BEEN INSTALLED)
6	26H27	SHAFT KEY	1		5/16" X 1-1/8"

CRANKSHAFT PULLEY
 (6068HH050)
 (ENGINE SERIAL NO.701276-)
 TP49364 -UN-24JAN96



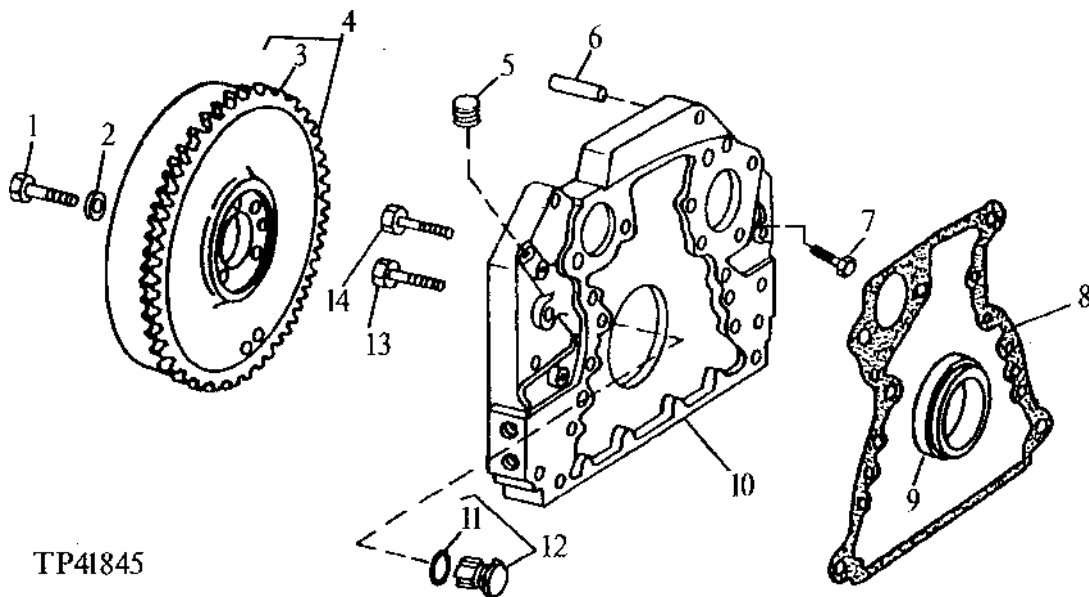
KEY	PART NO.	PART NAME	QTY	ENGINE SERIAL NO.	REMARKS
1	R133296	PULLEY	1		
2	RE59355	TORSIONAL DAMPENER	1		
3	R121897	BOLT	4		

FLYWHEEL AND FLYWHEEL HOUSING

(6359AH001)(ENGINE SERIAL NO. -337245)

(6068HH001)(ENGINE SERIAL NO.337246-701275)

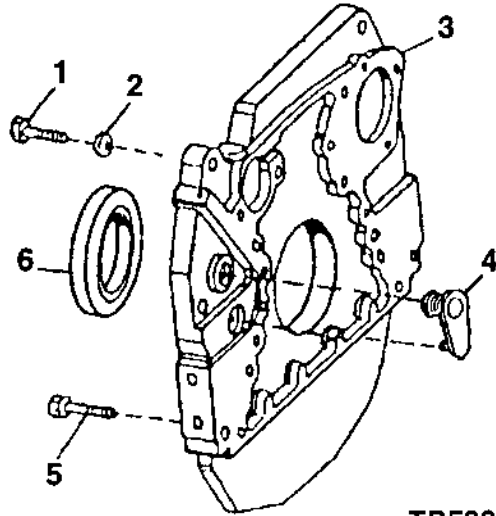
TP41845 -UN-26OCT94



TP41845

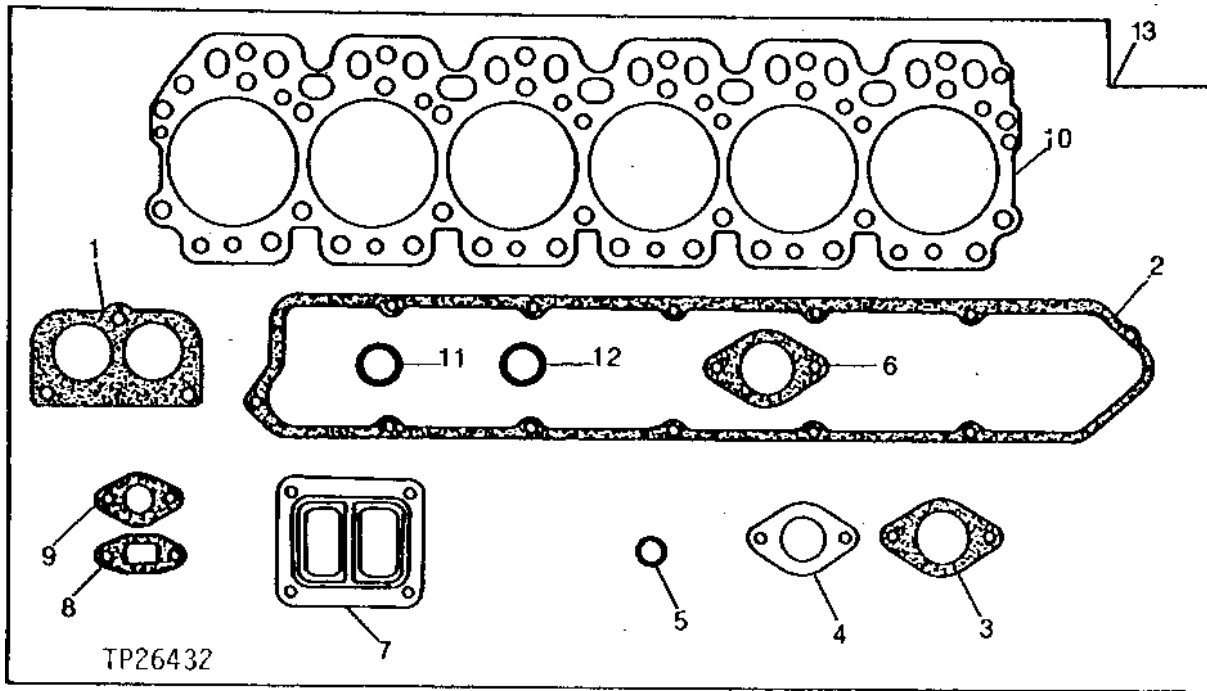
KEY	PART NO.	PART NAME	QTY	ENGINE SERIAL NO.	REMARKS
1	19H2644	CAP SCREW	4		1/2" X 2-1/2"
2	T23891	WASHER	4		
3	R28811	RING GEAR	1		(129 TEETH)
4	RE30433	FLYWHEEL	1		(MARKED R90838)
5	15H638	PIPE PLUG	1		1/8"
6	H79910	DOWEL PIN	2		
7	19H2351	CAP SCREW	1		1/2" X 1/2"
8	R97351	GASKET	1		(SUB FOR R70483)
9	RE24959	SEAL	1		(USE IF AVAILABLE)
	RE44574	SEAL	1		(SUB FOR RE24959)
10	R128528	HOUSING	1		(MARKED R122183 OR R110575) (SUB FOR R87369)
11	R27149	O-RING	1		
12	AR61533	PLUG	1		(SUB FOR AR63041, THIS APPLICATION)
13	19H3385	CAP SCREW	8		1/2" X 1-1/8"
14	19H2599	CAP SCREW	4		5/8" X 2-1/2"

FLYWHEEL HOUSING
(6068HH050)
(ENGINE SERIAL NO.701276-)
 TP53352 -UN-10DEC96



KEY	PART NO.	PART NAME	QTY	ENGINE SERIAL NO.	REMARKS
1	19M7493	CAP SCREW	8	M12 X 40	
2	T77258	WASHER	8		
3	R122183	HOUSING	1		
4	R131769	PLUG	1		
5	19M7813	SCREW	4	M12 X 45	
6	RE44574	SEAL	1		

CYLINDER HEAD REMOVAL GASKET SET
 (6359AH001)(ENGINE SERIAL NO. -337245)
 (6068HH001)(ENGINE SERIAL NO.337246-701275)
 TP26432 -UN-01JAN94

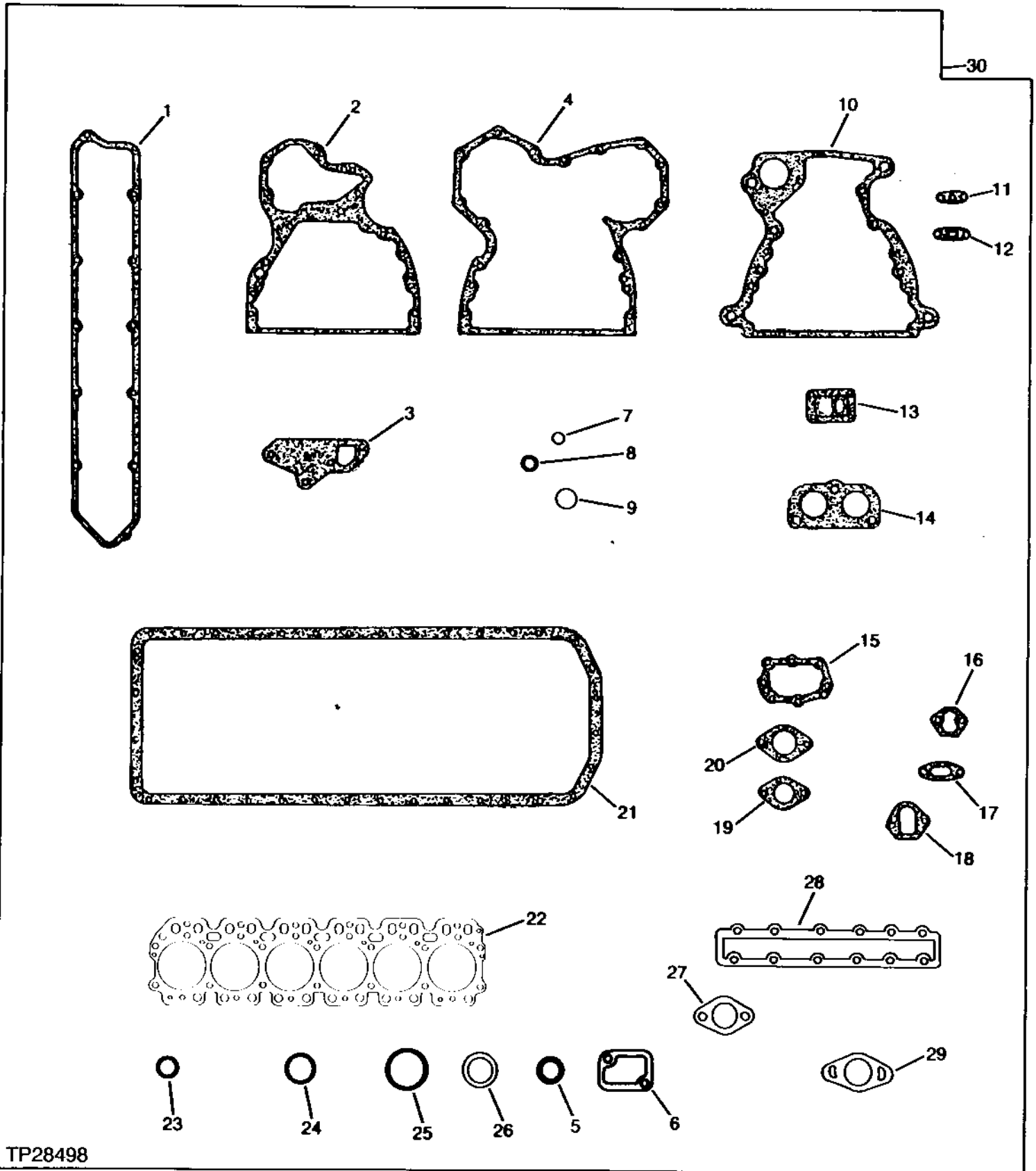


KEY	PART NO.	PART NAME	QTY	ENGINE SERIAL NO.	REMARKS
1	R501373	GASKET	1		(SUB FOR R54638) THERMOSTAT COVER
2	R75728	GASKET	1		ROCKER ARM COVER
3	R81275	GASKET	2	-337245	AIR INLET (6359)
4	R108274	GASKET	2	337246-	AIR INLET (6068)
5	R90658	GASKET	6		EXHAUST MANIFOLD
6	R56463	O-RING	1		VENT TUBE
7	R54641	GASKET	1		THERMOSTAT HOUSING
8	R123572	GASKET	1		TURBOCHARGER, (SUB FOR R89879, THIS APPLICATION)
9	R105346	GASKET	1		TURBOCHARGER OIL INLET
10	R97348	GASKET	1		(SUB FOR R92426)
11	R114157	ENGINE CYLINDER HEAD GASKET	1		
12	R87627	O-RING	12	-337245	VALVE STEM (6359)
	RE31617	SEAL	12	337246-	VALVE STEM (6068)
	R56461	O-RING	2		THERMOSTAT HOUSING AND/OR WATER PUMP BYPASS TUBES
13	RE38852	GASKET KIT	1	-337245	(ALSO ORDER (12) AR103811, (6) R48000 AND (6) RE32011) (6359)
	RE48533	GASKET KIT	1	337246-	(ALSO ORDER (12) AR103811, (6) R48000 AND (6) RE32011) (6068)

1121

6359 AND 6068 ENGINES

ENGINE OVERHAUL GASKET SET
(6359AH001)
(ENGINE SERIAL NO. -337245)
TP28498 -UN-01JAN94

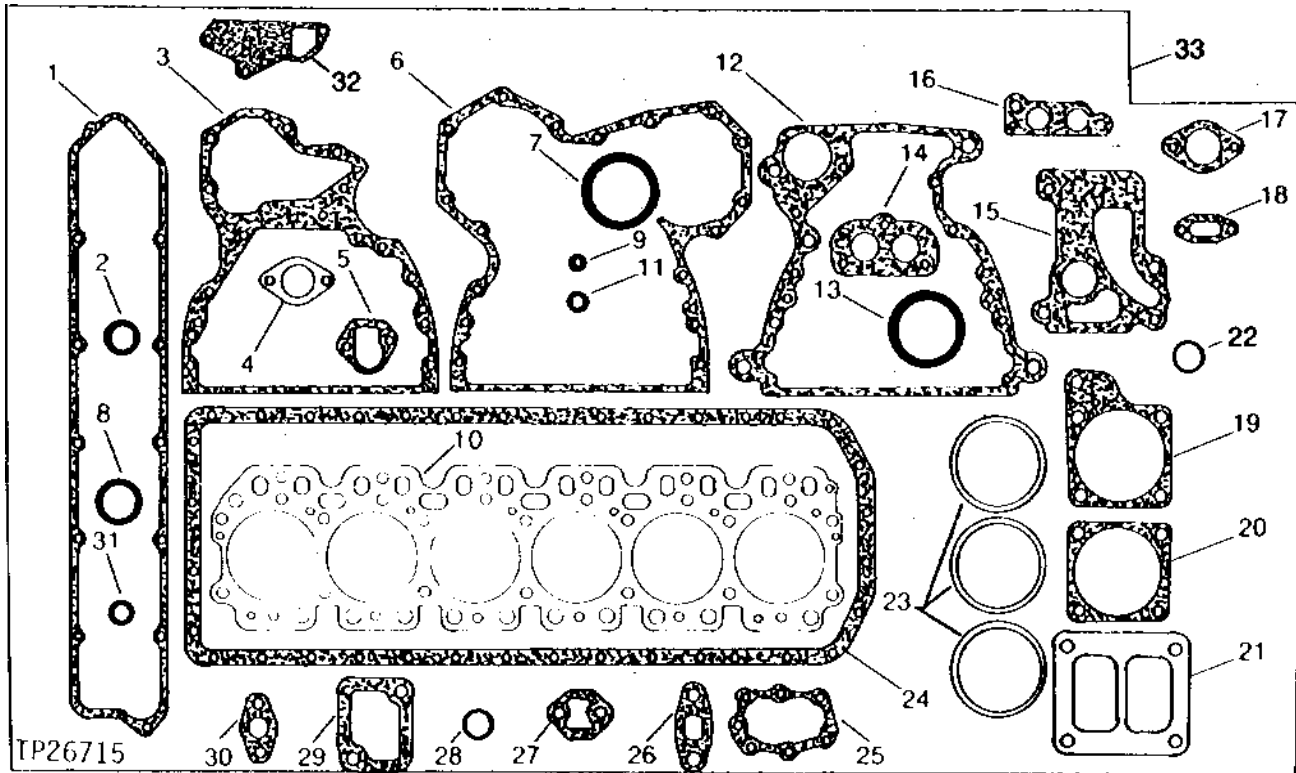


TP28498

ENGINE OVERHAUL GASKET SET
(6359AH001)
(ENGINE SERIAL NO. -337245)

KEY	PART NO.	PART NAME	QTY	ENGINE SERIAL NO.	REMARKS
1	R75728	GASKET	1		ROCKER ARM COVER
2	R131794	GASKET	1		(SUB FOR R90648) CYLINDER BLOCK PLATE
3	T20243	GASKET	1		WATER PUMP
4	R121314	GASKET	1		(SUB FOR R97454 OR R119269) TIMING GEAR COVER
5	R61871	O-RING	1		OIL PUMP INTAKE TO OIL PUMP HOUSING
6	R54641	GASKET	1		THERMOSTAT HOUSING WATER OUTLET
7	R74354	O-RING	1		OIL PUMP OUTLET TUBE
	R27564	O-RING	1		OIL PUMP OUTLET TUBE
8	R56463	O-RING	1		VENT TUBE
9	T20328	GASKET	1		OIL FILLER CAP
10	R97351	GASKET	1		FLYWHEEL HOUSING
11	R97348	GASKET	1		TURBOCHARGER OIL INLET
12	R105346	GASKET	1		TURBOCHARGER OIL OUTLET, (SUB FOR R97349)
13	R123572	GASKET	1		TURBOCHARGER, (SUB FOR R55509) (SUB FOR R89879, THIS APPLICATION)
14	R501373	GASKET	1		(SUB FOR R54638) THERMOSTAT COVER
15	T20273	GASKET	1		TIMING GEAR COVER OPENING COVER
16	R97350	GASKET	1		FUEL PUMP
17	R97352	GASKET	1		OIL FILLER INLET
18	R125066	GASKET	1		(SUB FOR R97773) INJECTION PUMP COVER
19	R90658	GASKET	6		EXHAUST MANIFOLD
20	R81275	GASKET	2		AIR INLET
21	R97344	GASKET	1		OIL PAN, (SUB FOR T20205)
	R97345	GASKET	1		OIL PAN
22	R114157	ENGINE CYLINDER HEAD GASKET	1		(SUB FOR R92426) CYLINDER HEAD
23	R87627	O-RING	12		VALVE STEM
24	R56461	O-RING	1		THERMOSTAT BYPASS TUBE
	R56461	O-RING	1		WATER PUMP BYPASS TUBE
25	R70956	WASHER	1		OIL COOLER
	R53543	O-RING	1		
26	R52811	O-RING	1		INTERCOOLER WATER INLET
27	R97346	GASKET	1		INTERCOOLER WATER OUTLET
28	R97347	GASKET	2		INTERCOOLER COVER
29	R97355	GASKET	1		FUEL INJECTION PUMP
30	RE501580	GASKET KIT	1		(ALSO ORDER (6) AR65507 CYLINDER LINER PACKING KITS) (SUB FOR RE38858)

**ENGINE OVERHAUL GASKET SET
(6068HH001)
(ENGINE SERIAL NO. 337246-701275)
TP26715 -UN-01JAN94**



KEY	PART NO.	PART NAME	QTY	ENGINE SERIAL NO.	REMARKS
1	R75728	GASKET	1		ROCKER ARM COVER
2	R77052	O-RING	2		OIL PUMP CONNECTOR AND OIL PUMP OUTLET TUBE
3	R131794	GASKET	1		CYLINDER BLOCK PLATE, (SUB FOR R90648)
4	R90658	GASKET	6		EXHAUST MANIFOLD
5	R125066	GASKET	1		INJECTION PUMP GEAR COVER, (SUB FOR R97773)
6	R121314	GASKET	1		TIMING GEAR COVER, (SUB FOR R97454 OR R119269)
7	R56193	O-RING	1		OIL COOLER HOUSING, OUTER
8	U13639	O-RING	1		COOLANT HEATER PLUG
9	R26286	O-RING	1		TO INJECTION PUMP
10	R114157	ENGINE CYLINDER HEAD GASKET	1		(SUB FOR R92426)
11	R56463	O-RING	1		VENT TUBE
12	R97351	GASKET	1		FLYWHEEL HOUSING
13	R56192	O-RING	1		OIL COOLER HOUSING INNER
14	R501373	GASKET	1		(SUB FOR R54638) THERMOSTAT COVER
15	R98489	GASKET	1		OIL COOLER TO CYLINDER BLOCK
16	R98488	GASKET	1		OIL COOLER
17	R81275	GASKET	3		AIR INLET
18	R97352	GASKET	1		OIL FILLER INLET COVER
19	R98485	GASKET	1		OIL COOLER LOWER COVER
20	R98484	GASKET	1		OIL COOLER
	R98471	GASKET	1		OIL COOLER UPPER COVER

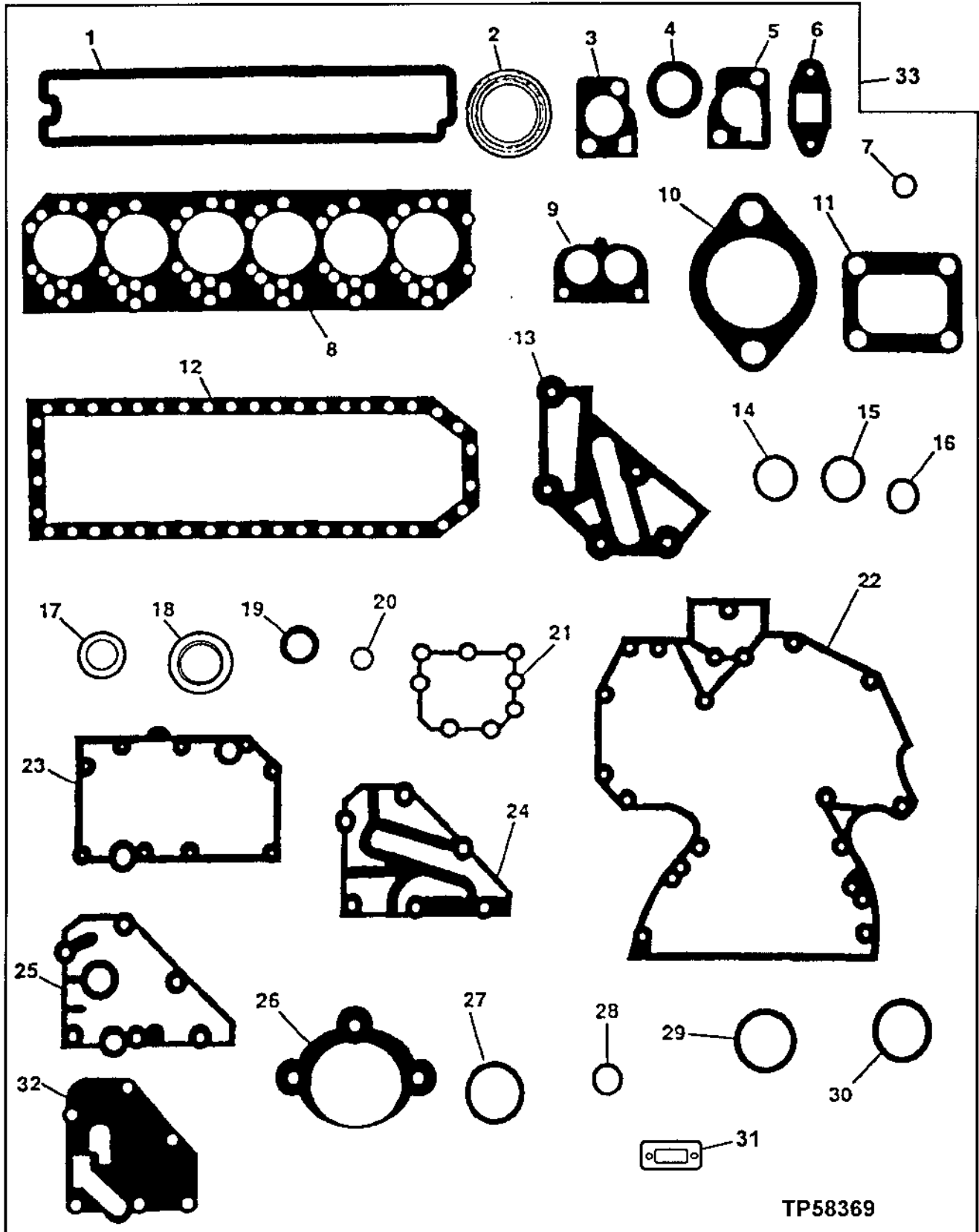
ENGINE OVERHAUL GASKET SET-CONTINUED
(6068HH001)
(ENGINE SERIAL NO. 337246-701276)

KEY	PART NO.	PART NAME	QTY	ENGINE SERIAL NO.	REMARKS
21	R123572	GASKET	1		TURBOCHARGER, (SUB FOR R89879, THIS APPLICATION)
22	T20328	GASKET	1		OIL FILLER CAP
23	AR65507	O-RING KIT	6		CYLINDER LINER PACKING
24	T20205	GASKET	1		OIL PAN (USE IF AVAILABLE)
	R97344	GASKET	1		OIL PAN, (SUB FOR T20205)
25	T20273	GASKET	1		TIMING GEAR COVER, OPENING COVER
26	R105346	GASKET	1		TURBOCHARGER DRAIN LINE (USE IF AVAILABLE)
	R105346	GASKET	1		(SUB FOR R43416 AND R97349)
27	R97350	GASKET	1		FUEL PUMP, (SUB FOR R27285)
28	R61871	O-RING	1		OIL PUMP INTAKE
29	R54641	GASKET	1		WATER OUTLET HOUSING
30	R97348	GASKET	1		TURBOCHARGER TO OIL INLET ADAPTER, (SUB FOR R43413)
31	R56461	O-RING	2		WATER BYPASS TUBE
32	T20243	GASKET	1		WATER PUMP
33	RE501569	GASKET KIT	1		(ALSO ORDER (6) R34764 AND (6) R48000) (SUB FOR RE38556)

1J1

6359 AND 6068 ENGINES

ENGINE MAJOR OVERHAUL GASKET SET
(6068HH050)
(ENGINE SERIAL NO.701276-)
TP58369 -UN-08FEB99



TP58369

ENGINE MAJOR OVERHAUL GASKET SET
(6068HH050)
(ENGINE SERIAL NO.701276-)

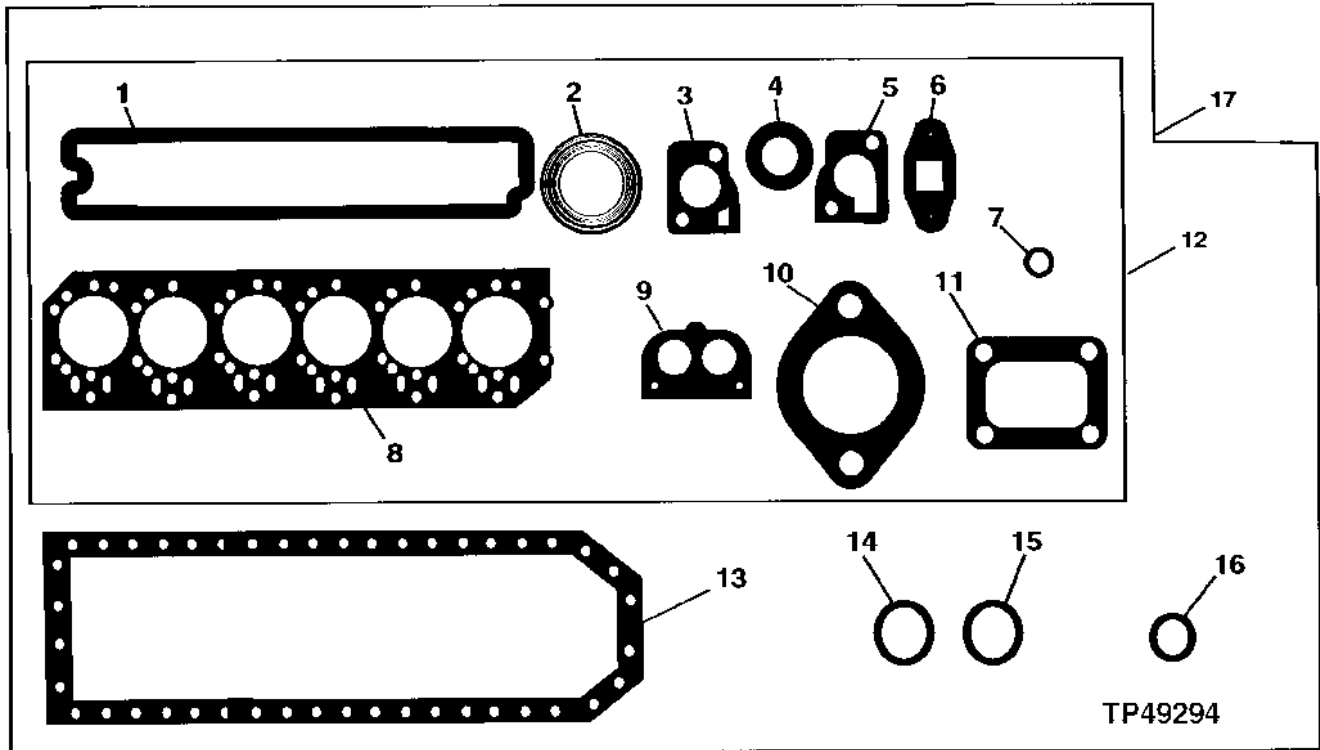
KEY	PART NO.	PART NAME	QTY	ENGINE SERIAL NO.	REMARKS
1	R123543	GASKET	1		ROCKER ARM COVER
2	R90658	GASKET	6		EXHAUST MANIFOLD
3	R135896	GASKET	1		(SUB FOR R121416) THERMOSTAT COVER
4	R123226	GASKET	2		WATER BY-PASS TUBE
5	R123345	GASKET	1		THERMOSTAT HOUSING
6	R123570	GASKET	1		TURBOCHARGER OIL OUTLET TUBE
7	R123575	GASKET	4		ROCKER ARM COVER HOLD DOWN STUD
8	R116516	GASKET	1		CYLINDER HEAD
9	R501373	GASKET	1		(SUB FOR R54638) THERMOSTAT COVER
10	R81275	GASKET	1		AIR INLET
11	R123572	GASKET	1		TURBOCHARGER TO EXHAUST MANIFOLD
12	R123354	GASKET	1		ENGINE OIL PAN
13	R123502	GASKET	1		COOLANT PASSAGE ADAPTER
14	R75892	O-RING	1		OIL PUMP TUBE CONNECTOR
15	R97185	O-RING	1		OIL PUMP OUTLET TUBE TO COVER
16	R61871	O-RING	1		OIL PUMP INTAKE TUBE
17	A4827R	WASHER	1		OIL PRESSURE REGULATOR PLUG
18	RE44574	SEAL	1		REAR OIL SEAL
19	RE59810	SEAL KIT	1		FRONT OIL SEAL
20	R123273	O-RING	1		FUEL TRANSFER PUMP
21	R123417	GASKET	1		WATER PUMP
22	R136516	GASKET	1		TIMING GEAR COVER, (SUB FOR R123421 AND R134534)
	R136515	GASKET	1		(SUB FOR R123425 AND R134533) TIMING GEAR COVER FOR AUXILIARY DRIVE (NOT ILLUSTRATED)
23	R123501	GASKET	1		OIL COOLER HOUSING
24	R123504	GASKET	1		REMOTE OIL FILTER ADAPTER
25	R123525	GASKET	1	-766852	OIL FILTER HEADER
26	R53108	GASKET	1		STARTING MOTOR
27	R72328	O-RING	4		REMOTE OIL FILTER TUBES
28	R89944	O-RING	1		WATER PUMP INLET
29	R61105	O-RING	2		CONNECTOR TUBE TO TIMING GEAR COVER
30	T122075	O-RING	2		OIL COOLER TO HOUSING
31	R136495	GASKET	2		OIL FILL COVER
32	R500374	GASKET	1	766853-	OIL FILTER HEADER
33	RE501456	GASKET KIT	1		(SUB FOR RE66087) ENGINE MAJOR OVERHAUL
	RE66097	ENGINE OVERHAUL KIT	1		(NOT ILLUSTRATED) (INCLUDES ENGINE MAJOR OVERHAUL GASKET SET,ENGINE CONNECTING ROD BEARINGS,ENGINE MAIN BEARINGS,AND PISTON AND CYLINDER LINER KITS)(ORDER ONE KIT PER ENGINE)

CYLINDER HEAD REMOVAL AND IN VEHICLE OVERHAUL GASKET SETS

(6068HH050)

ENGINE SERIAL NO.701276-)

TP49294 -UN-28SEP95



KEY	PART NO.	PART NAME	QTY	ENGINE SERIAL NO.	REMARKS
1	R123543	GASKET	1		ROCKER ARM COVER
2	R90658	GASKET	6		EXHAUST MANIFOLD
3	R135896	GASKET	1		(SUB FOR R121416) THERMOSTAT COVER
4	R123226	GASKET	2		WATER BY-PASS TUBE
5	R123345	GASKET	1		THERMOSTAT HOUSING
6	R123570	GASKET	1		TURBOCHARGER OIL OUTLET LINE
7	R123575	O-RING	6		ROCKER ARM COVER HOLD DOWN STUD
8	R116516	ENGINE CYLINDER HEAD GASKET	1		CYLINDER HEAD
9	R501373	GASKET	1		THERMOSTAT COVER, (SUB FOR R54638)
10	R81275	GASKET	1		AIR INLET
11	R123572	GASKET	1		TURBOCHARGER TO EXHAUST MANIFOLD
12	RE66083	GASKET KIT	1		CYLINDER HEAD REMOVAL
13	R123354	GASKET	1		ENGINE OIL PAN
14	R75892	GASKET	1		OIL PUMP TUBE CONNECTOR
15	R97185	O-RING	1		OIL PUMP OUTLET TUBE TO COVER
16	R61871	O-RING	1		OIL PUMP INTAKE TUBE TO COVER
17	RE66085	GASKET KIT	1		IN CHASSIS OVERHAUL

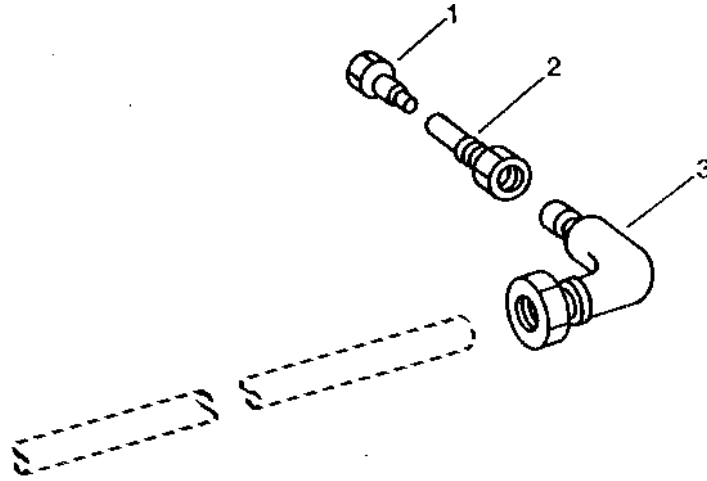
MEMORANDA

STARTING AID CONNECTORS

(6359AH001)

(ENGINE SERIAL NO. -337245)

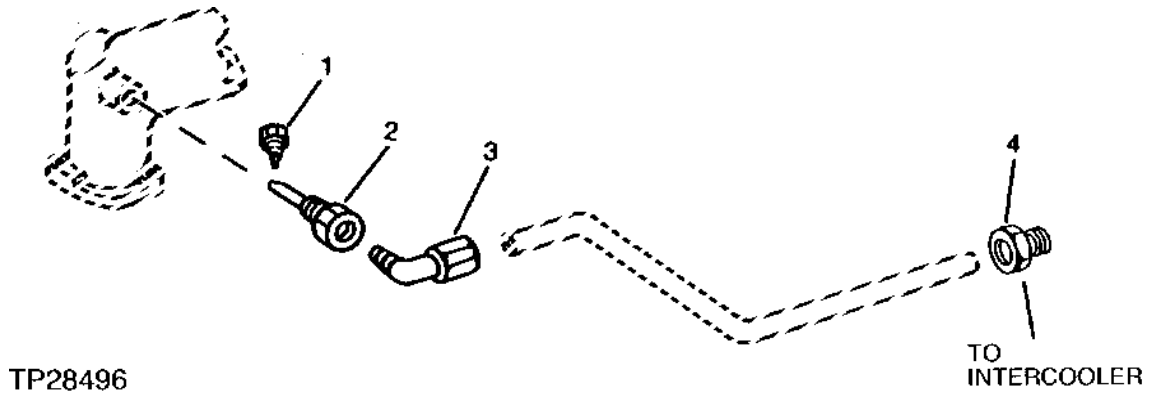
TP24105 -UN-01JAN94



TP24105

KEY	PART NO.	PART NAME	QTY	ENGINE SERIAL NO.	REMARKS
1	R28583	NOZZLE	1		
2	R47160	NOZZLE HOLDER	1		
3	RE21790	ELBOW FITTING	1		(SUB FOR AT25266)

STARTING AID CONNECTORS
 (6068AH001)
 (ENGINE SERIAL NO. 337246-)
 TP28496 -UN-01JAN94

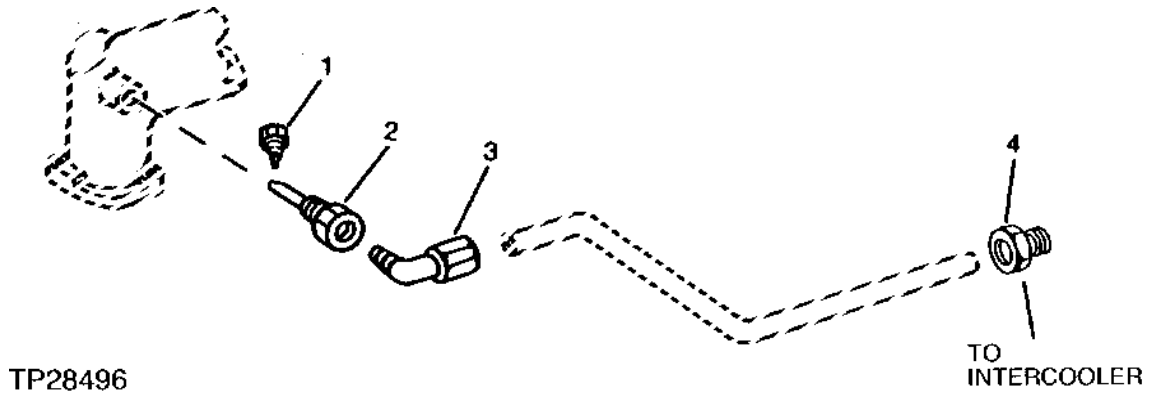


KEY	PART NO.	PART NAME	QTY	ENGINE SERIAL NO.	REMARKS
1	R28583	NOZZLE	1		
2	R47160	NOZZLE HOLDER	1		
3	RE21790	ELBOW FITTING	1		(SUB FOR AT25266)
4	T27986	FITTING	1		

1J6

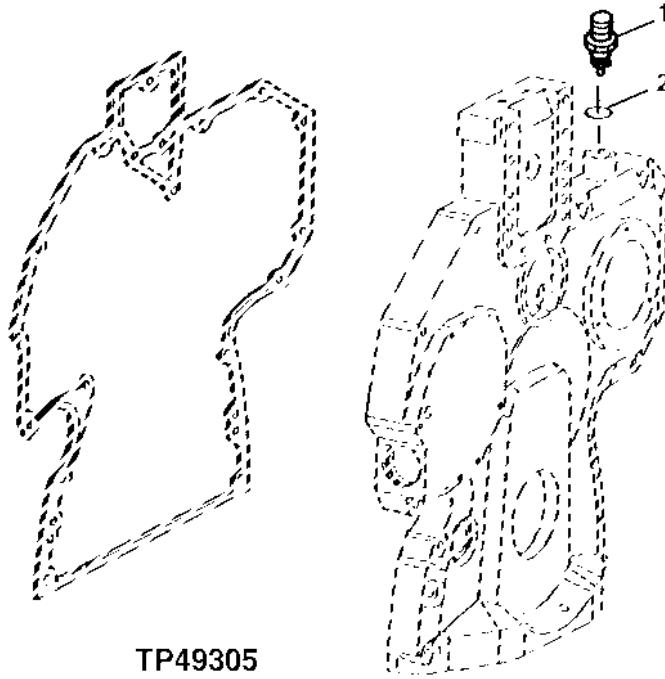
6359 AND 6068 ENGINES

STARTING AID CONNECTORS
(6068HH050)
(ENGINE SERIAL NO.701276-)
TP28496 -UN-01JAN94



KEY	PART NO.	PART NAME	QTY	ENGINE SERIAL NO.	REMARKS
1	R28583	NOZZLE	1		
2	R47160	NOZZLE HOLDER	1		
3	RE21790	ELBOW FITTING	1		
4	T27986	FITTING	1		

TACHOMETER SENSOR
(6068HH050)
(SERIAL NO.701276-)
 TP49305 -UN-04OCT95



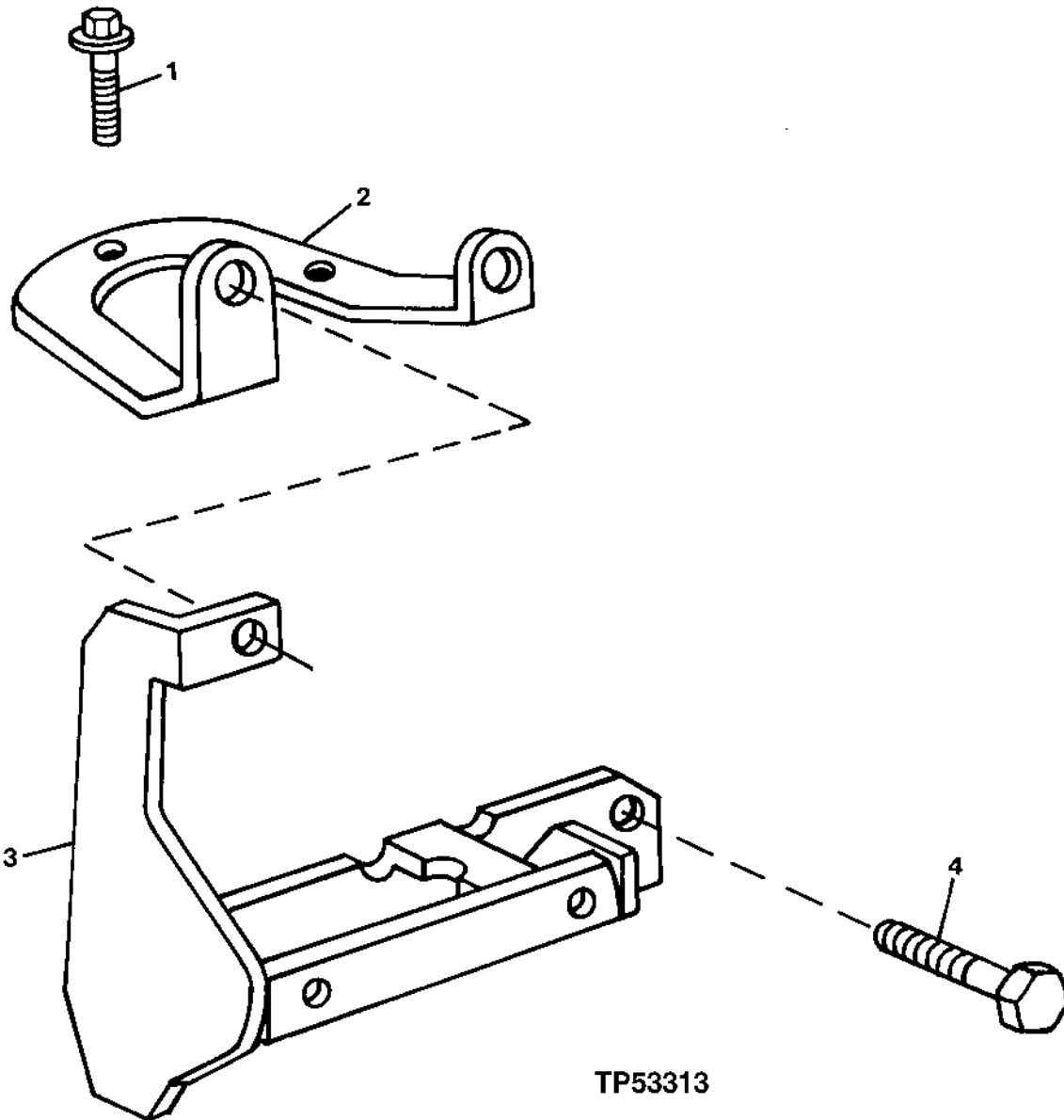
TP49305

KEY	PART NO.	PART NAME	QTY	ENGINE SERIAL NO.	REMARKS
1	RE71121	SENSOR	1		(SUB FOR RE43511) TACHOMETER
2	51M7044	O-RING	1		

1J8

6359 AND 6068 ENGINES

AIR CONDITIONER COMPRESSOR SUPPORT
(6068HH050)
(ENGINE SERIAL NO.701276-)
TP53313 -UN-07SEP96



TP53313

1J9

6359 AND 6068 ENGINES

AIR CONDITIONER COMPRESSOR SUPPORT
(6068HH050)
(ENGINE SERIAL NO.701276-)

KEY	PART NO.	PART NAME	QTY	ENGINE SERIAL NO.	REMARKS
1	19M7788	SCREW	1	M12 X 25	
2	R132690	STRAP	1		
3	AT180350	BRACKET	1	(SUB FOR R123500)	
4	19M7784	SCREW	2	M10 X 20	

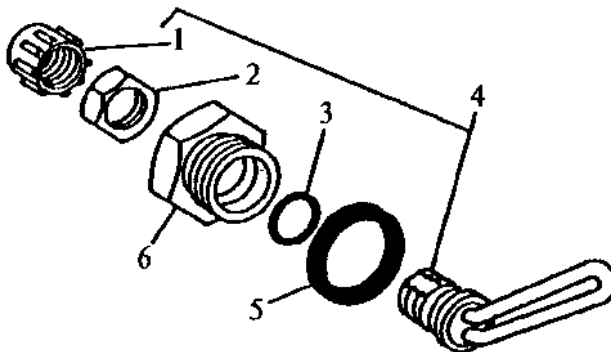
1J10

6359 AND 6068 ENGINES

ENGINE COOLANT HEATER

TP41264 -UN-26OCT94

TP41264

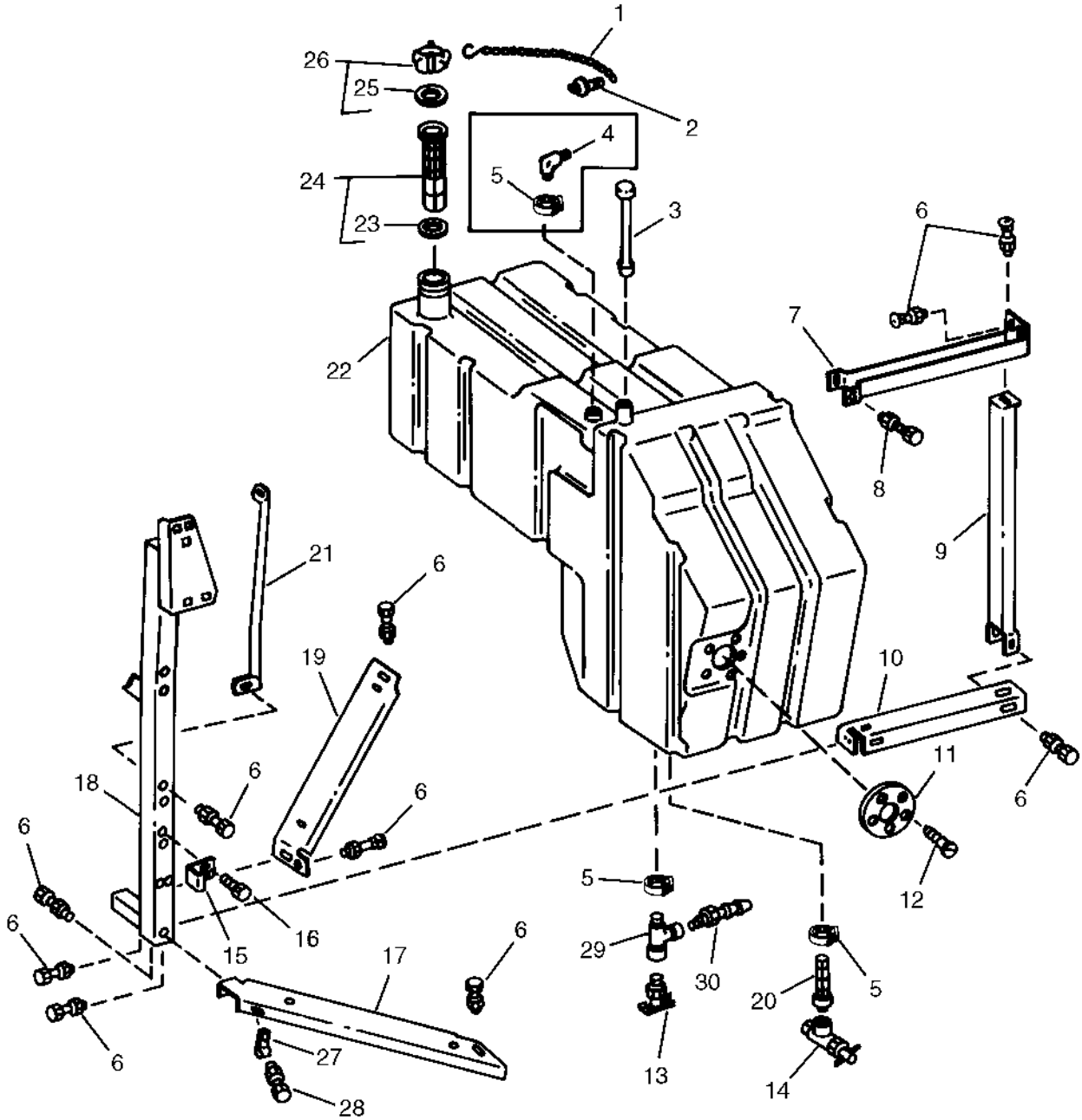


KEY	PART NO.	PART NAME	QTY	SERIAL NO.	REMARKS
1	CAP	1		
2	NUT	1		
3	R47693	GASKET	1		
4	AR62399	COOLANT HEATER	1		
5	U13639	O-RING	1		
6	R54123	ADAPTER	1		

MEMORANDA

2B12

FUEL TANK, SUPPORTS, AND FITTINGS
HP9320 -UN-16NOV99



HP9320

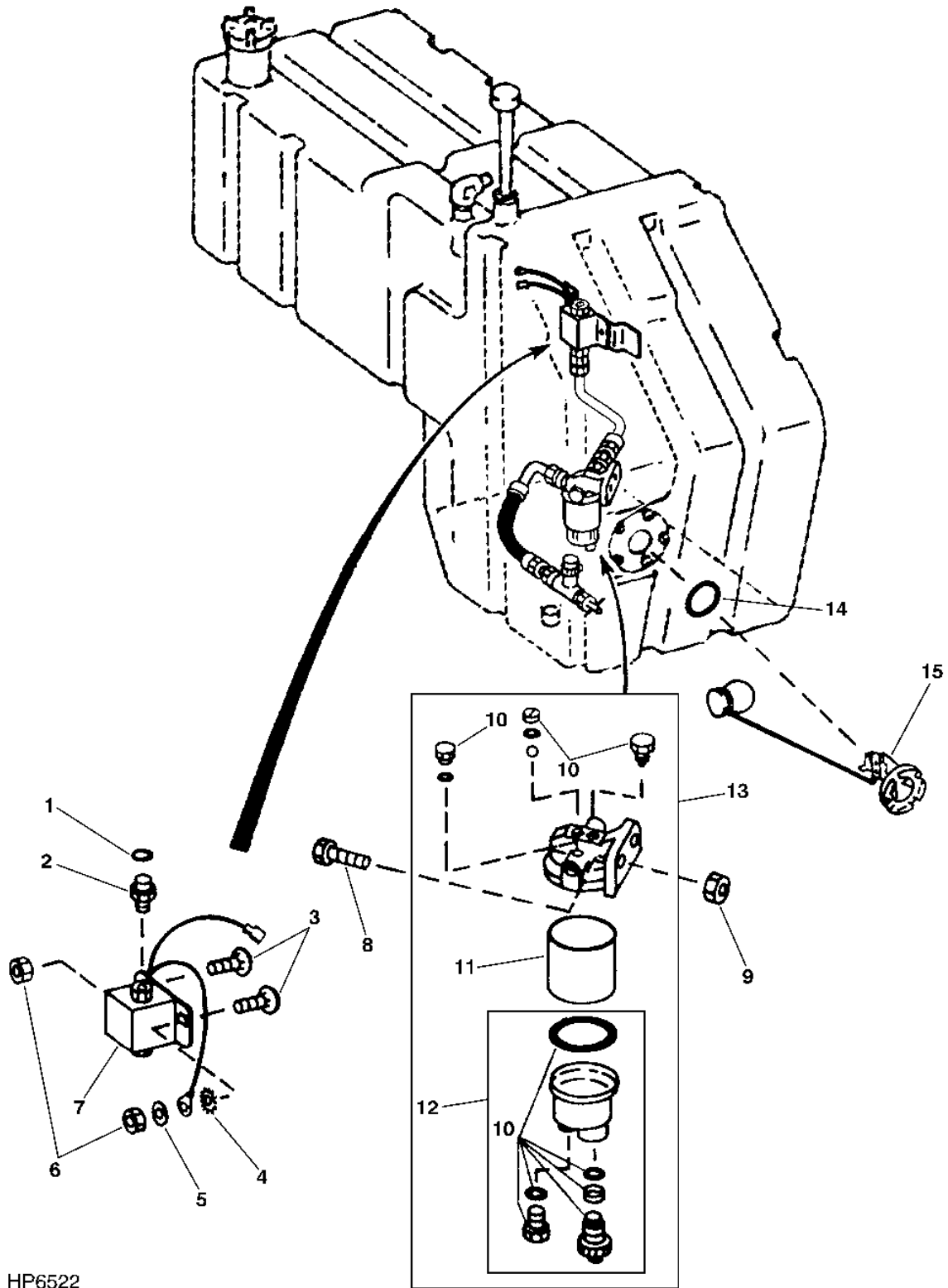
FUEL TANK, SUPPORTS, AND FITTINGS - CONTINUED

KEY	PART NO.	PART NAME	QTY	SERIAL NO.	REMARKS
1	AH132814	LINK CHAIN	1		
2	H99897	RETAINER	1		
3	AH116123	BREATHER	1		
4	T28077	ELBOW FITTING	1	-660335	90 DEGREE
5	TY22465	HOSE CLAMP	3	-635121	(SUB FOR AR21837)
	AR21839	CLAMP	2	625122-	(SUB FOR AT18904)
6	19M7785	SCREW	5		M10 X 25
	14M7400	LOCK NUT	5		M10
7	H169794	CHANNEL	1		(SUB FOR H134299)
8	19M7812	SCREW	1		M10 X 100
	14M7400	LOCK NUT	1		M10
	H77507	WASHER	1	640292-	
9	H134298	CHANNEL	1		
10	H169793	CHANNEL	1		(SUB FOR H134297)
11	H134396	WASHER	1		
12	19H2925	SCREW	5		1/4" X 1/2"
13	AT13740	DRAIN VALVE	1		(USE WITH T17568 TEE AND U42355 CONNECTOR)
14	AH129056	VALVE	1		
15	H143420	STOP	1		(SUB FOR H129607)
16	37M7058	SCREW	2		M8 X 20
17	AH135191	CHANNEL	1		(INCLUDES AH114109)
18	AH137254	SUPPORT	1		(SUB FOR AH124945)
19	H134181	CHANNEL	1		(SUB AH136147 AND AH136146) REAR
	AH136147	CHANNEL	1		(USE WITH (3) H64612)
20	AH106982	SCREEN	1		
21	H129839	BRACE	1		
22	AH146621	FUEL TANK	1		(SUB FOR AH128633, AH137817, AH139161, AH140493 AND AH144553) (USE WITH TY22418 HOSE, U42355 TEE AND T17568 CONNECTOR)
23	H147415	O-RING	1		(SUB FOR H140497)
24	AH162914	STRAINER	1		(SUB FOR AH135155)
25	H137323	WASHER	1	-635850	(SUB AH135893)
	H148166	WASHER	1	635851-	(SUB FOR H141412)
26	AH141823	FILLER CAP	1		(SUB FOR AH135893 OR AH130529)
27	T38377	CLIP	1	-635797	FOR RUBBER HOSE ON STRAW WALKER GEARBOX
	T76719	CLAMP	1	635798-655437	FOR CLEAR HOSE ON STRAW WALKER GEARBOX
	T28949	CLAMP	1	655438-660118	
	T76719	CLAMP	1	660119-	
28	19M7867	SCREW	1	635798-660118	M8 X 25 M8 X 25
	14M7298	FLANGE NUT	1	635798-660118	M8 M8
	19M7862	SCREW	1	660119-	M6 X 20
	14M7303	FLANGE NUT	1	660119-	M6
29	T17568	TEE FITTING	1	660336-	6.350 MM
30	U42355	FITTING	1	660336-	

2B14

ELECTRIC FUEL PUMP, WATER SEPARATOR AND FUEL FLOAT

HP6522 -UN-15JUL96



HP6522

2B15

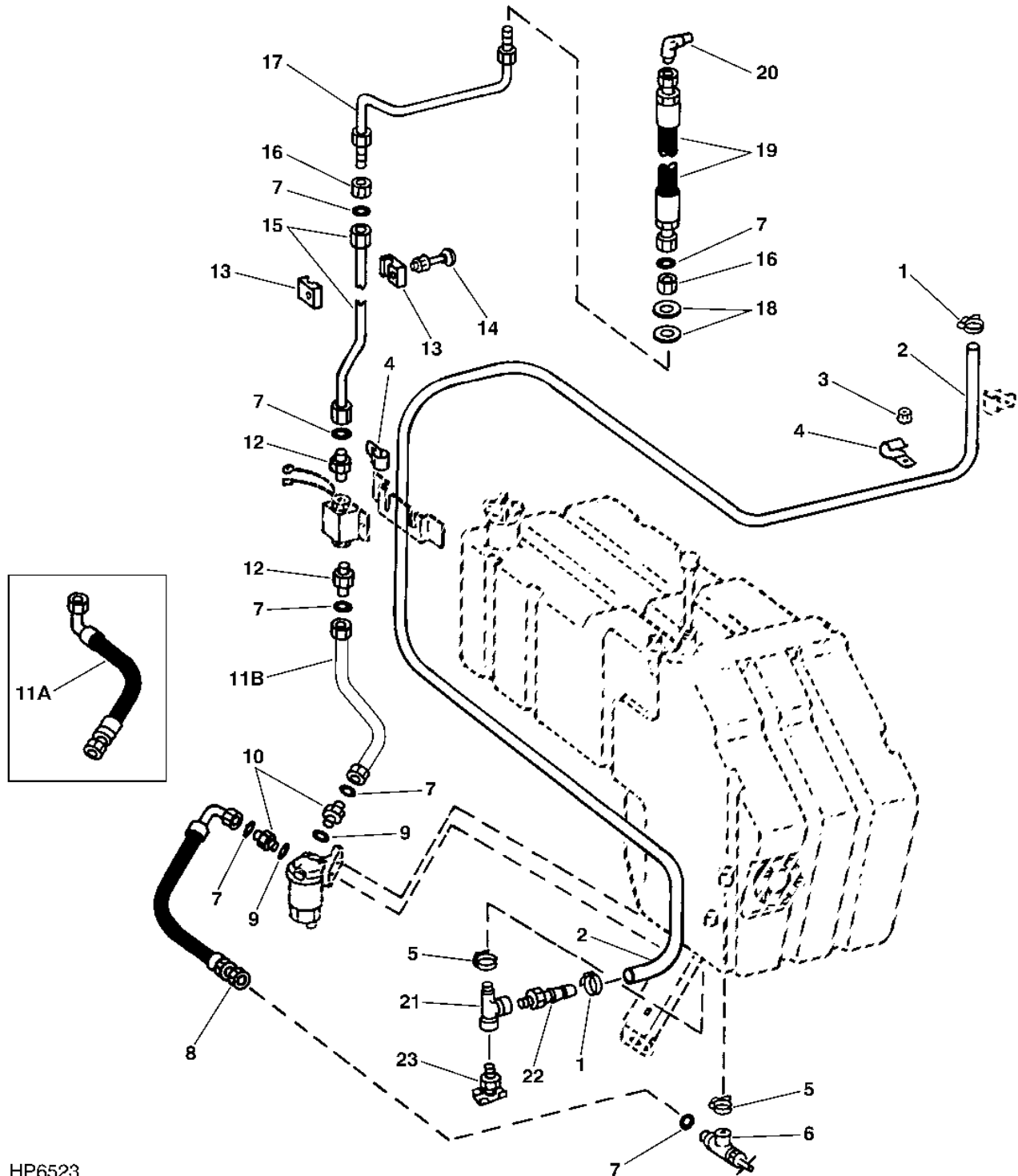
FUEL AND AIR

ELECTRIC FUEL PUMP, WATER SEPARATOR AND FUEL FLOAT - CONTINUED

KEY	PART NO.	PART NAME	QTY	SERIAL NO.	REMARKS
1	T77613	O-RING	2		
2	H127578	ADAPTER	2		
3	03M7221	BOLT	2		M6 X 16
4	12M7081	LOCK WASHER	1		6.400 MM, EXTERNAL TOOTH
5	24H1287	WASHER	1		9/32" X 5/8" X 0.065"
6	14M7303	FLANGE NUT	2		M6
7	AH130127	PUMP	1		
8	19M7786	SCREW	2		M10 X 30
9	14M7296	FLANGE NUT	2		
10	AT81477	KIT	1		
11	AT81478	FILTER ELEMENT	1		
12	AT81476	KIT	1		
13	AT81268	SEPARATOR	1		
14	F1649R	O-RING	1		-650100
	H149454	PACKING	1	650101-	
15	AH143036	SENSOR	1		(SUB FOR AH124833 OR AH136233)

2B16

TANK FUEL LINES AND FITTINGS
HP6523 -UN-15JUL96



HP6523

2B17

FUEL AND AIR

TANK FUEL LINES AND FITTINGS - CONTINUED

KEY	PART NO.	PART NAME	QTY	SERIAL NO.	REMARKS
1	TY22462	CLAMP	2		(SUB FOR AR48236)
2	H119904	LINE	1	-660298	(SUB TY22418 CUT TO 79 IN.) RETURN
	TY22559	HOSE	1		(CUT TO 2920 MM (115 IN.) RETURN, (SUB FOR TY22418)
3	14M7298	FLANGE NUT	1		M8
4	AH89557	CLIP	2		
5	AR21839	CLAMP	2		(SUB FOR AR21837 OR AT18904)
6	AH129056	VALVE	1		
7	T77613	O-RING	7		
8	AH129058	HYDRAULIC HOSE	1		INLET
9	R26448	O-RING	2		
10	38H1160	ADAPTER	2		
11A	AH129407	HYDRAULIC HOSE	1	-635180	SUCTION
11B	AH136146	LINE	1	635181-	
12	H127578	ADAPTER	2		
13	H127589	CLAMP	2		
14	03M7188	BOLT	1		M8 X 40
	14M7298	FLANGE NUT	1		M8
15	AH134842	OIL LINE	1		R.H. SIDE
16	T81029	NUT	2		17.475 MM
17	AH129409	OIL LINE	1		UPPER
18	24M7114	WASHER	2		19 X 30 X 4 MM
19	AH146788	HYDRAULIC HOSE	1	-665539	(SUB FOR AH131541) ENGINE
	AH156064	HYDRAULIC HOSE	1	665540-	(SUB FOR AH150689)
20	T28860	ELBOW FITTING	1	-665539	
21	T17568	TEE FITTING	1	660336-	6.350 MM (1/4")
22	U42355	FITTING	1	660336-	
23	AT13740	DRAIN VALVE	1		

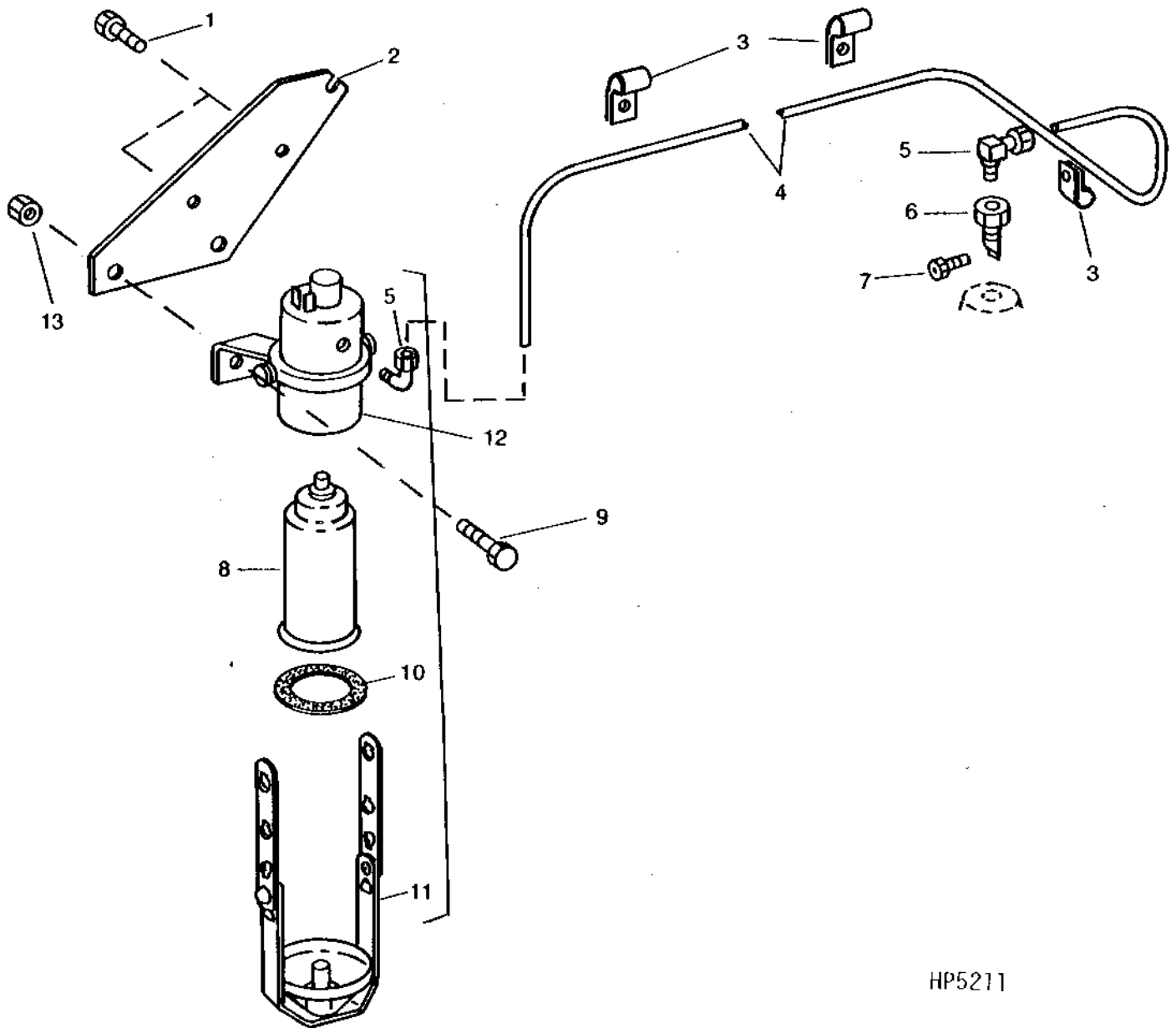
2B18

FUEL AND AIR

COLD WEATHER STARTING AID

(-655415)

HP5211 -UN-01JAN94



HP5211

2B19

FUEL AND AIR

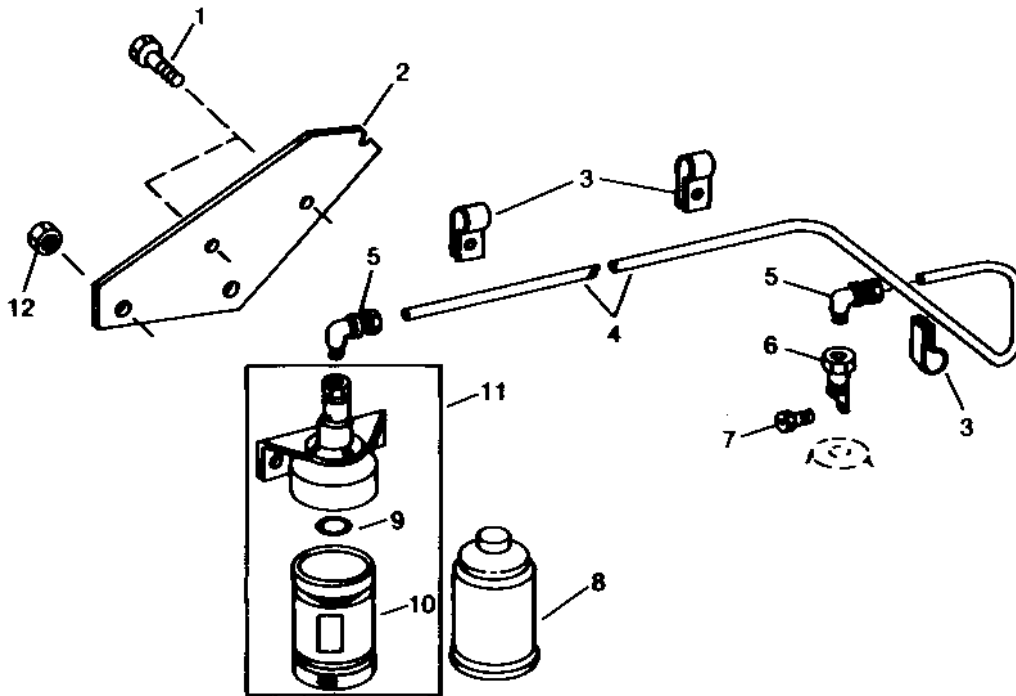
COLD WEATHER STARTING AID - CONTINUED
(-655415)

KEY	PART NO.	PART NAME	QTY	SERIAL NO.	REMARKS
1	19M7774	SCREW	AR		M6 X 12
2	H134300	SUPPORT	1	-12AP99	
	H170303	COVER	1	13AP99-	
3	T32231	CLAMP	4		
4	LINE	1		(CUT FROM H86108) 57 IN.
5	RE21790	ELBOW FITTING	2		
6	R47160	NOZZLE HOLDER	1		
7	R28583	NOZZLE	1		
8	RE33636	STARTING FLUID	1		
9	19M7865	SCREW	2		M8 X 16
10	T46726	GASKET	1		
11	AT57288	BAIL	1		
12	AT39623	SOLENOID	1		
13	14M7298	FLANGE NUT	2		M8

2B20

COLD WEATHER STARTING AID

(655416-)
HP5856 -UN-15OCT94



HP5856

2B21

FUEL AND AIR

COLD WEATHER STARTING AID - CONTINUED
(655416-)

KEY	PART NO.	PART NAME	QTY	SERIAL NO.	REMARKS
1	19M7774	SCREW	AR		M6 X 12
2	H134300	SUPPORT	1	-12AP99	
	H170303	COVER	1	13AP99-	
3	T32231	CLAMP	4		
4	LINE	1		(CUT FROM H86108) 57 IN.
5	RE21790	ELBOW FITTING	2		
6	R47160	NOZZLE HOLDER	1		
7	R28583	NOZZLE	1		
8	RE33636	STARTING FLUID	1		
9	T13119	O-RING	1		18.720 X 2.616 MM (0.737" X 0.103")
	T15712	O-RING	1		12.421 X 1.778 MM (0.489" X 0.070")
10	R73498	CONTAINER	1		
11	RE48310	STARTING AID SOLENOID	1		
	RE48321	ADAPTER	1		
12	14M7298	FLANGE NUT	2		M8

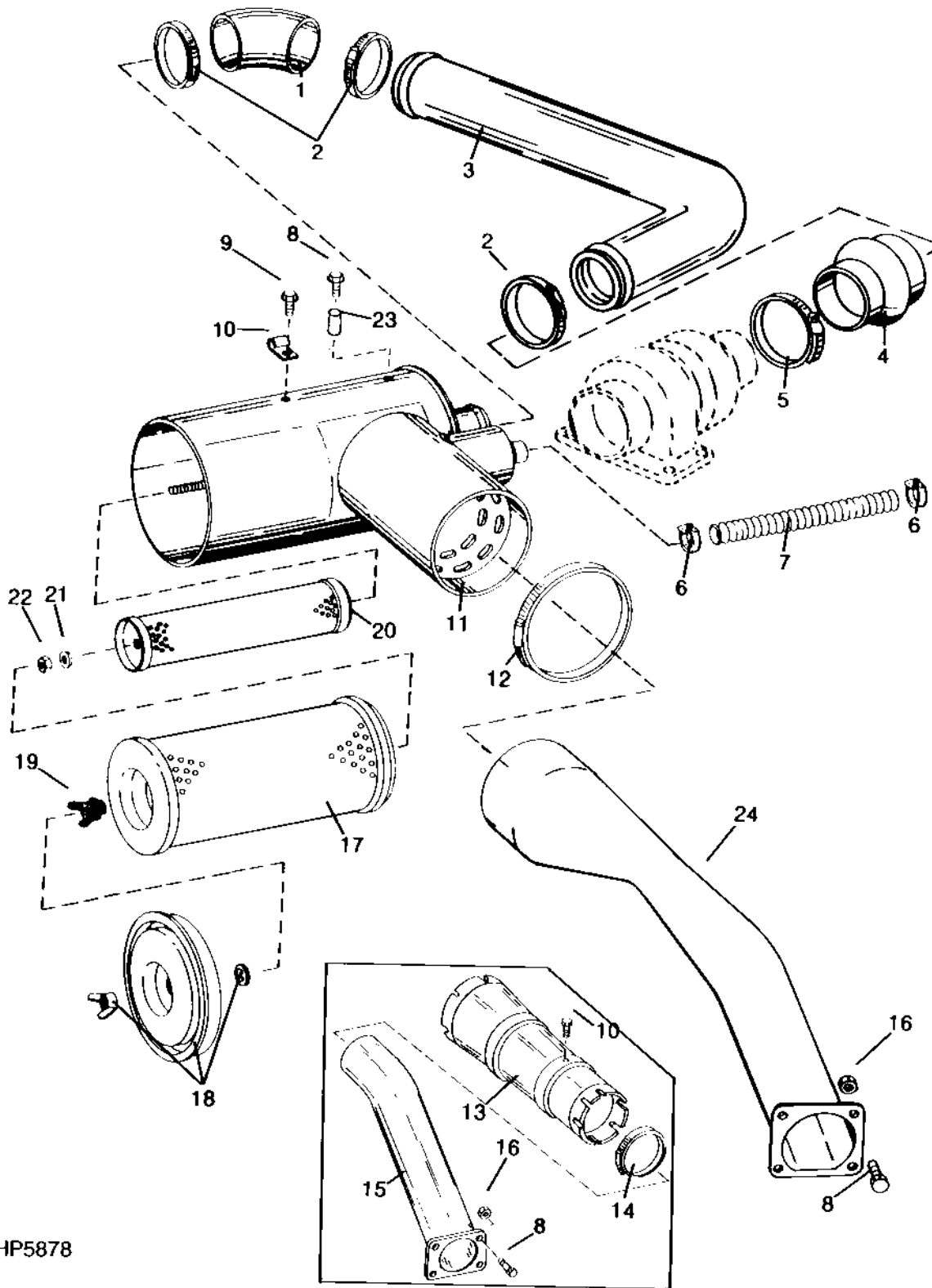
2B22

FUEL AND AIR

AIR CLEANER AND INTAKE TUBES

(-640100)

HP5878 -UN-20OCT94



HP5878

AIR CLEANER AND INTAKE TUBE - CONTINUED
 (-640100)

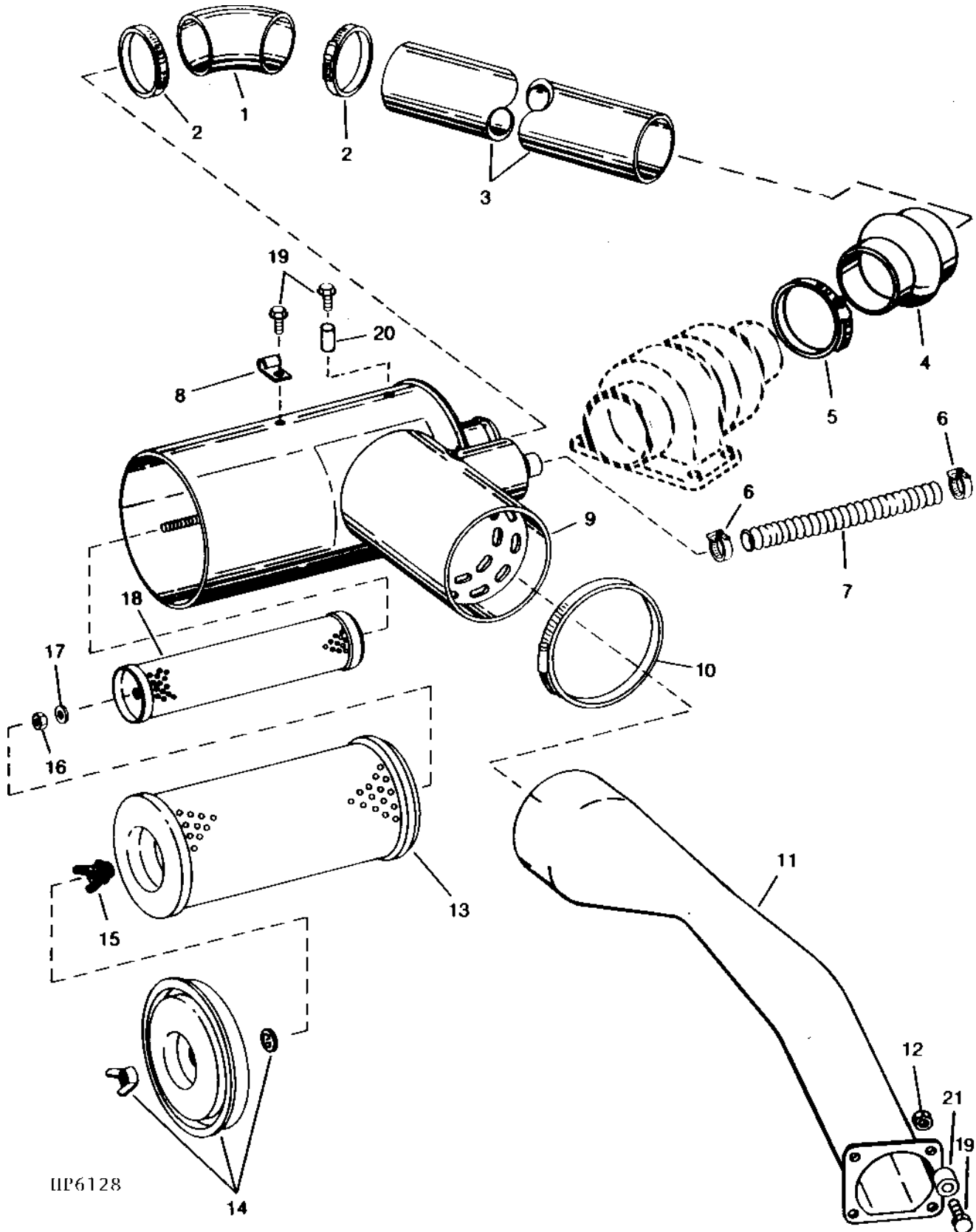
KEY	PART NO.	PART NAME	QTY	SERIAL NO.	REMARKS
1	H136564	HOSE	1		
2	RE36259	CLAMP	3		(SUB FOR AH134578)
3	H133815	TUBE	1		
4	H130175	HOSE	1		
5	AT37476	HOSE CLAMP	1		
6	TY22470	CLAMP	2		(SUB FOR AR65293 OR AR21840)
7	H134117	HOSE	1		
8	19M8319	SCREW	5		M8 X 50
9	H136577	CLAMP	1		
10	19M8319	SCREW	1		M8 X 50
11	AH130099	AIR CLEANER	1		
12	AH130230	HOSE CLAMP	1		
13	H135118	AIR DUCT	1	-635201	
14	AC15595	CLAMP	1	-640100	
15	AH130513	TUBE	1	-635202	
16	14M7298	FLANGE NUT	1		M8
17	AR80652	FILTER ELEMENT	1		PRIMARY ELEMENT
18	AH136051	COVER	1		(USE WITH AR81313) M94737 WING SCREW
19	AH133290	WING SCREW	1		
20	AR81313	FILTER ELEMENT	1		USE WITH AR80652 SAFETY (SECONDARY) ELEMENT
	AR80653	FILTER ELEMENT	1		(USE WITH AR80652) SAFETY (SECONDARY) ELEMENT
21	R39825	SEAL	1		
22	E17421	LOCK NUT	1		15.875 MM (5/8")
23	28H1633	BUSHING	1		
24	AH137259	AIR DUCT	1	635202-	

2B24

FUEL AND AIR

AIR CLEANER AND INTAKE TUBES

(640101-)
HP6128 -UN-18AUG95



HP6128

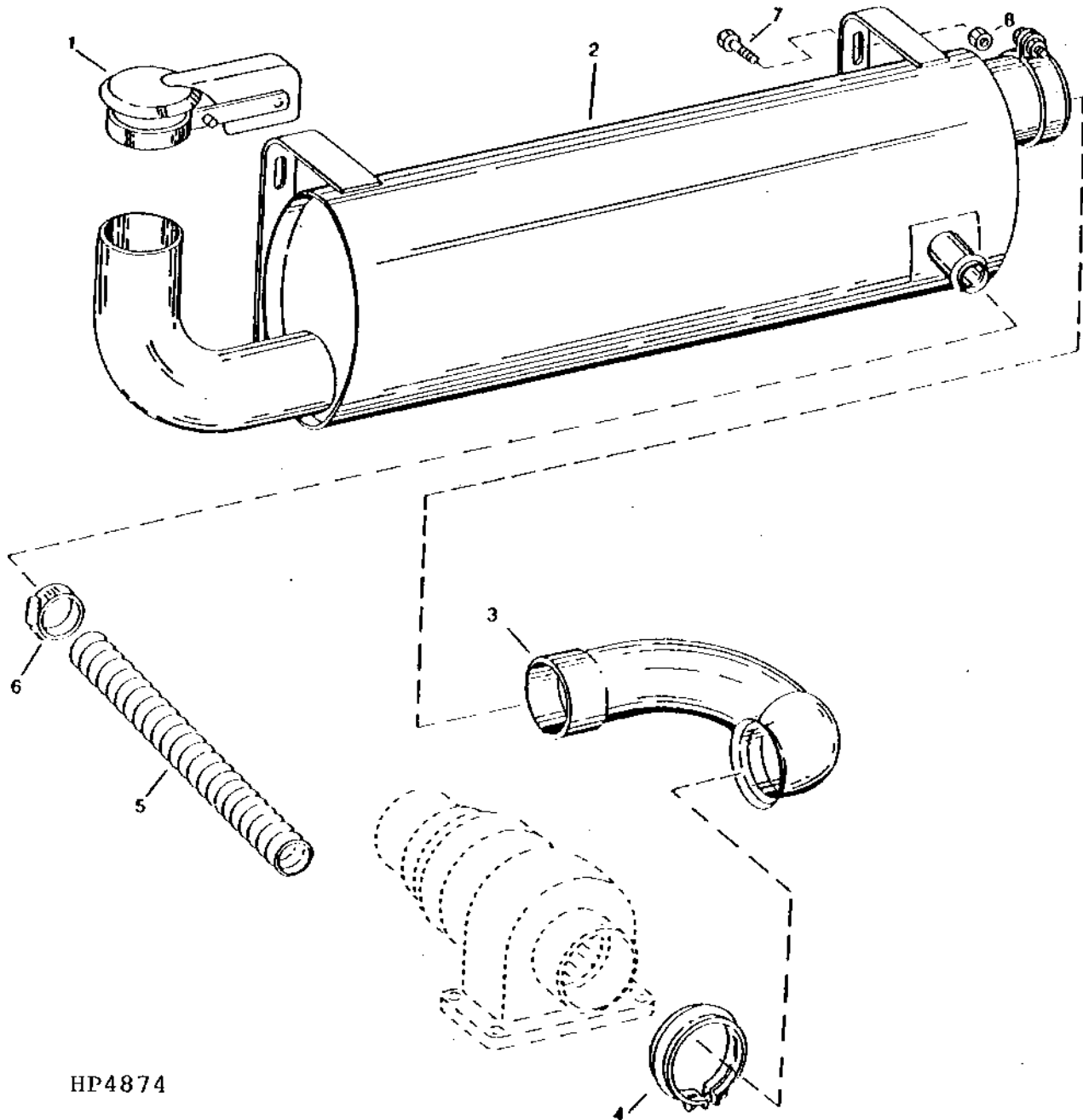
2B25

FUEL AND AIR

AIR CLEANER AND INTAKE TUBE - CONTINUED
(640101-)

KEY	PART NO.	PART NAME	QTY	SERIAL NO.	REMARKS
1	H136564	HOSE	1	-655288	
	H150692	HOSE	1	655289-16SE96	
2	RE36259	CLAMP	3	-655288	(SUB FOR AH134578)
	AT104113	HOSE CLAMP	3	655289-	
	AT115060	HOSE CLAMP	3		
3	AH150335	HOSE	1		(SUB FOR H133815)
4	H130175	HOSE	1	-16SE96	
5	AT37476	HOSE CLAMP	1	-670219	
	H161228	CLAMP	1	670220-	
6	TY22470	CLAMP	2		(SUB FOR AR65293 AND AR21840)
7	H134117	HOSE	1		
8	H136577	CLAMP	1		
9	AH130100	AIR CLEANER	1		(USE WITH H150692 AND AT104113) (SUB FOR AH130099)
10	AH130230	HOSE CLAMP	1		
11	AH141625	AIR DUCT	1		(SUB FOR AH139364 OR AH138361)
12	14M7298	FLANGE NUT	4		
13	AR80652	FILTER ELEMENT	1	-655288	(USE WITH AH130099) PRIMARY ELEMENT
	AR70106	FILTER ELEMENT	1	655289-	(USE WITH AH130100) PRIMARY ELEMENT
14	AH132803	COVER	1		
15	AH133290	WING SCREW	1	-655288	
	AR73234	WING NUT	1	655289-	
16	E17421	LOCK NUT	1	-655288	
	AH20849	WING NUT	1	655289-	
17	R39825	SEAL	1		
18	AR80653	FILTER ELEMENT	1	-655288	(USE WITH AR80652) SAFETY (SECONDARY) ELEMENT
	AR70107	FILTER ELEMENT	1	655289-	(USE WITH AR70106) SAFETY (SECONDARY) ELEMENT
19	19M8319	SCREW	6		
20	28H1633	BUSHING	1		9.246 X 13.716 X 39.675 MM (0.364" X 0.540" X 1-9/16")
21	H148776	SPACER	4	650113-	

MUFFLER AND EXHAUST PIPE
HP4874 -UN-01JAN94



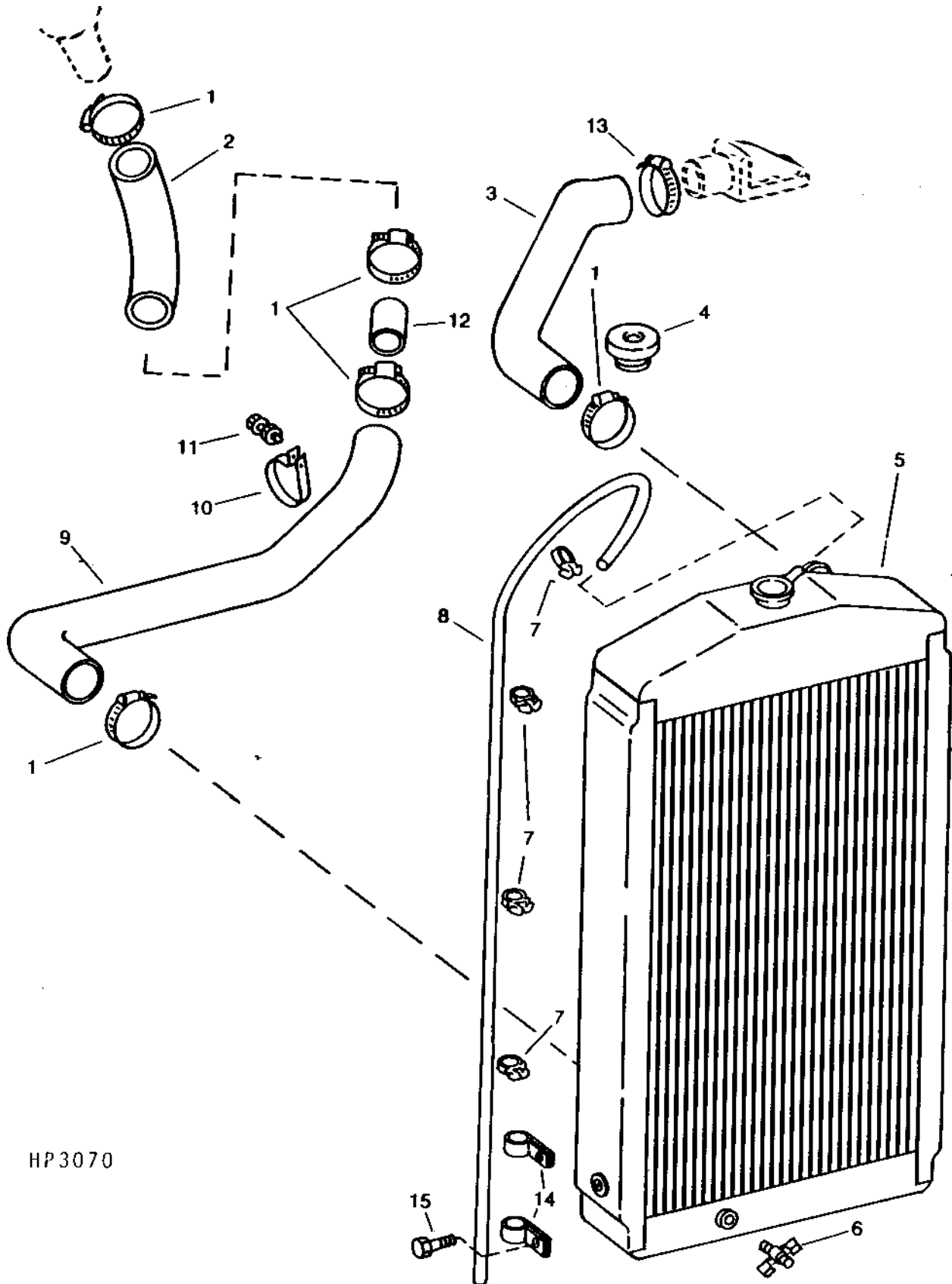
HP4874

MUFFLER AND EXHAUST PIPE - CONTINUED

KEY	PART NO.	PART NAME	QTY	SERIAL NO.	REMARKS
1	AR86603	CAP	1		
2	AH136386	MUFFLER	1		(SUB FOR AH130098)
3	AH128976	EXHAUST PIPE	1	-650100	
	AH147938	EXHAUST PIPE	1	650101-	(SUB FOR AH136415)
4	RE40048	CLAMP	1		(SUB FOR AT103553)
5	H134117	HOSE	1		
6	TY22470	CLAMP	2		(SUB FOR AR65293 OR AR21840)
7	19M7865	SCREW	4	-660267	M8 X 16
	19M7868	SCREW	4	660268-	M8 X 30
8	14M7298	FLANGE NUT	4		M8

2C3

RADIATOR AND HOSES
HP3070 -UN-01JAN94



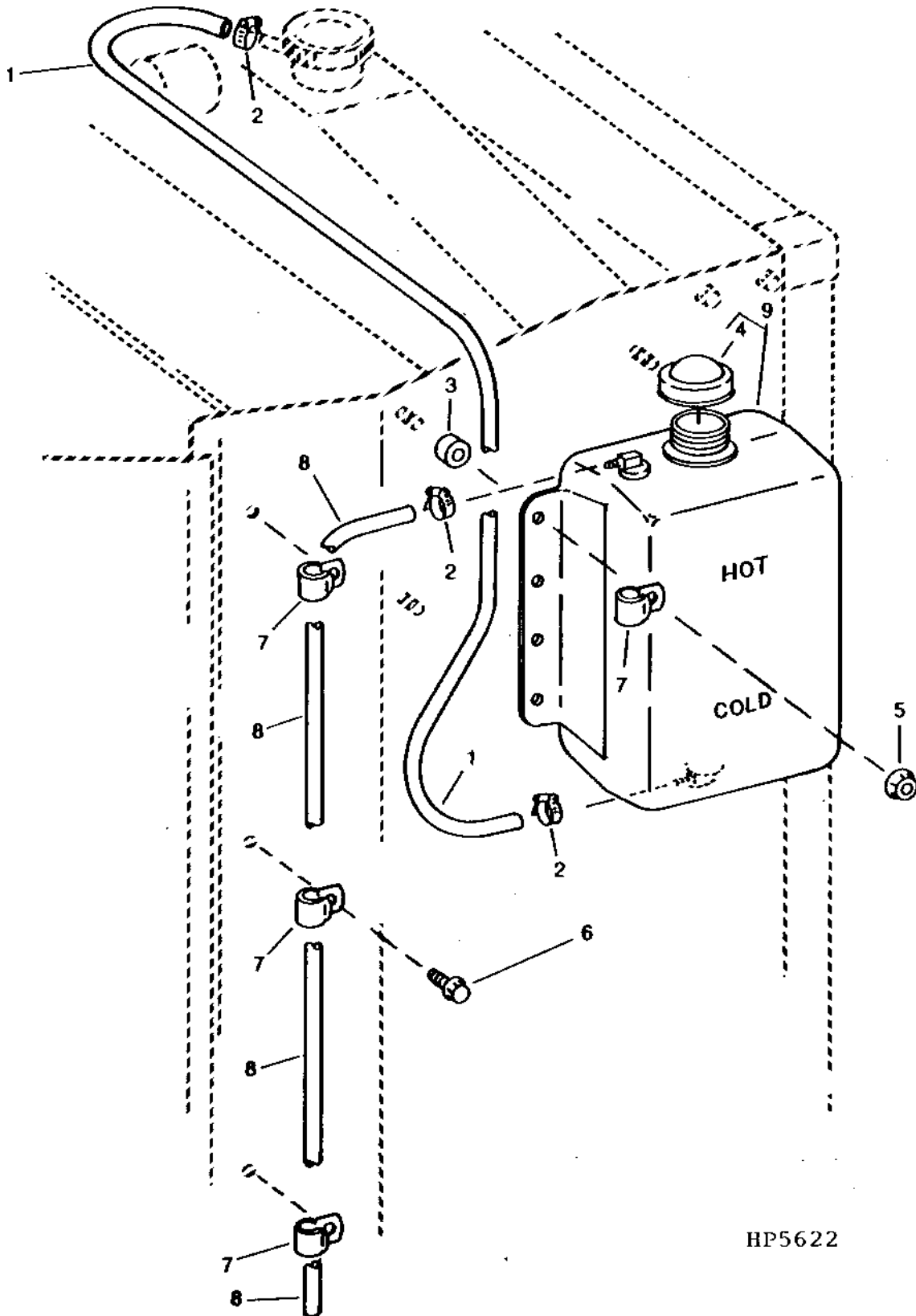
HP3070

RADIATOR AND HOSES - CONTINUED

KEY	PART NO.	PART NAME	QTY	SERIAL NO.	REMARKS
1	TY22472	CLAMP	5		(SUB FOR RE41991 OR AR21999)
2	AH135890	RADIATOR HOSE	1		(SUB FOR AH130086)
	AH147360	RADIATOR HOSE	1	665540-	
3	H143463	RADIATOR HOSE	1	-640100	(SUB FOR H133971)
	AH140929	HOSE	1	640101-665539	(SUB FOR H144250)
	AH159023	RADIATOR HOSE	1	665540-	(SUB FOR AH145542)
4	AN191560	FILLER CAP	1	-665539	7 PSI
	AH148649	FILLER CAP	1	665540-	10 PSI
5	AH137544	RADIATOR	1	-640100	(SUB FOR AH128258)
	AH128257	RADIATOR	1	640101-	(INCREASED CAPACITY)
	AH144719	RADIATOR	1	655317-	
6	AT13740	DRAIN VALVE	1		
7	H145832	CLAMP	3		(SUB FOR H118766)
8	H134124	HOSE	1	-645392	(MAKE FROM TY22324) CUT TO LENGTH - RADIATOR OVERFLOW HOSE
9	AH135890	RADIATOR HOSE	1		(SUB FOR AH130083)
10	H123297	CLAMP	1		
11	19M7865	SCREW	1		M8 X 16
	14M7298	FLANGE NUT	1		M8
12	H147111	TUBE	1		(SUB FOR H133970)
13	TY22472	CLAMP	1		(SUB FOR RE41991 OR AR21999)
14	H75541	CLAMP	2		
15	37M7083	SCREW	2		M8 X 12

2C5

COOLANT RECOVERY TANK
HP5622 -UN-01JAN94



HP5622

2C6

FUEL AND AIR

COOLANT RECOVERY TANK - CONTINUED

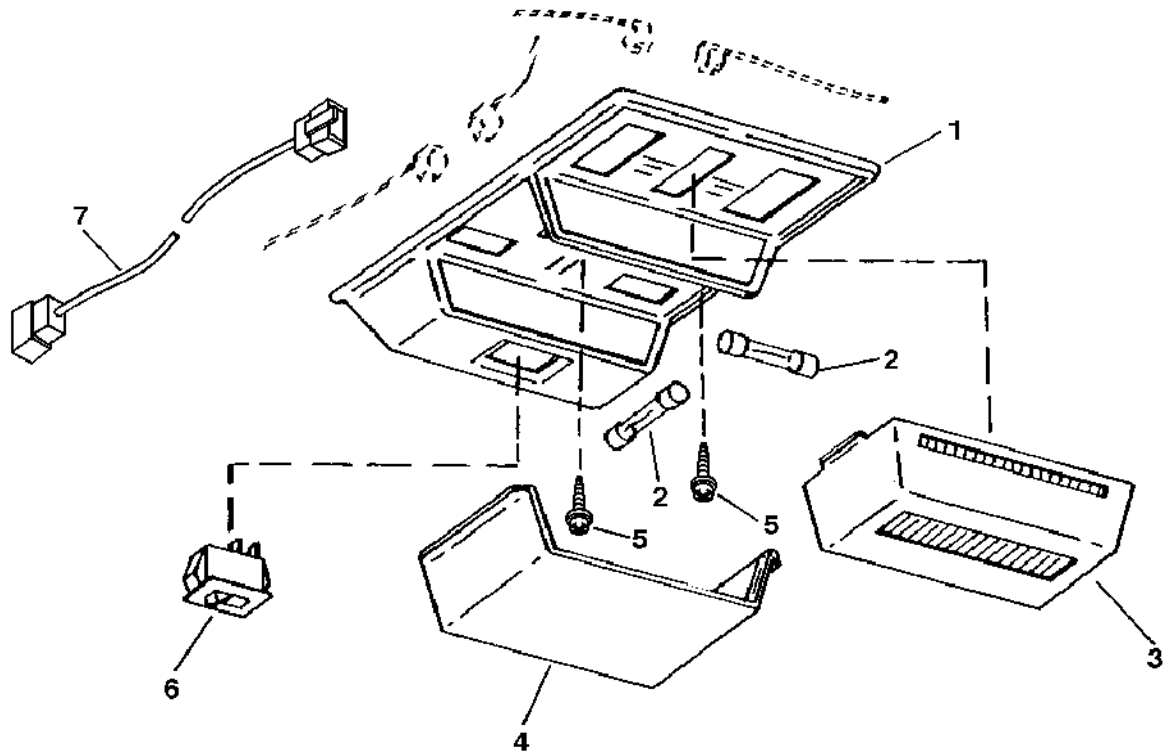
KEY	PART NO.	PART NAME	QTY	SERIAL NO.	REMARKS
1	TY22566	HOSE	1		(SUB FOR TY22412 OR H147069)
2	TY22462	CLAMP	3		(SUB FOR AR48236)
3	M78494	SPACER	4		
4	AT106413	CAP	1	650446-	
5	14M7298	FLANGE NUT	4		M8
6	19M7865	SCREW	3		M8 X 16
7	AH89557	CLIP	4		
8	H147068	HOSE	1		
9	AT104021	TANK	1	-650445	
	AT162597	TANK	1	650446-	

MEMORANDA

2C12

ELECTRICAL

CAB DOME LIGHT
HP6762 -UN-18AUG97



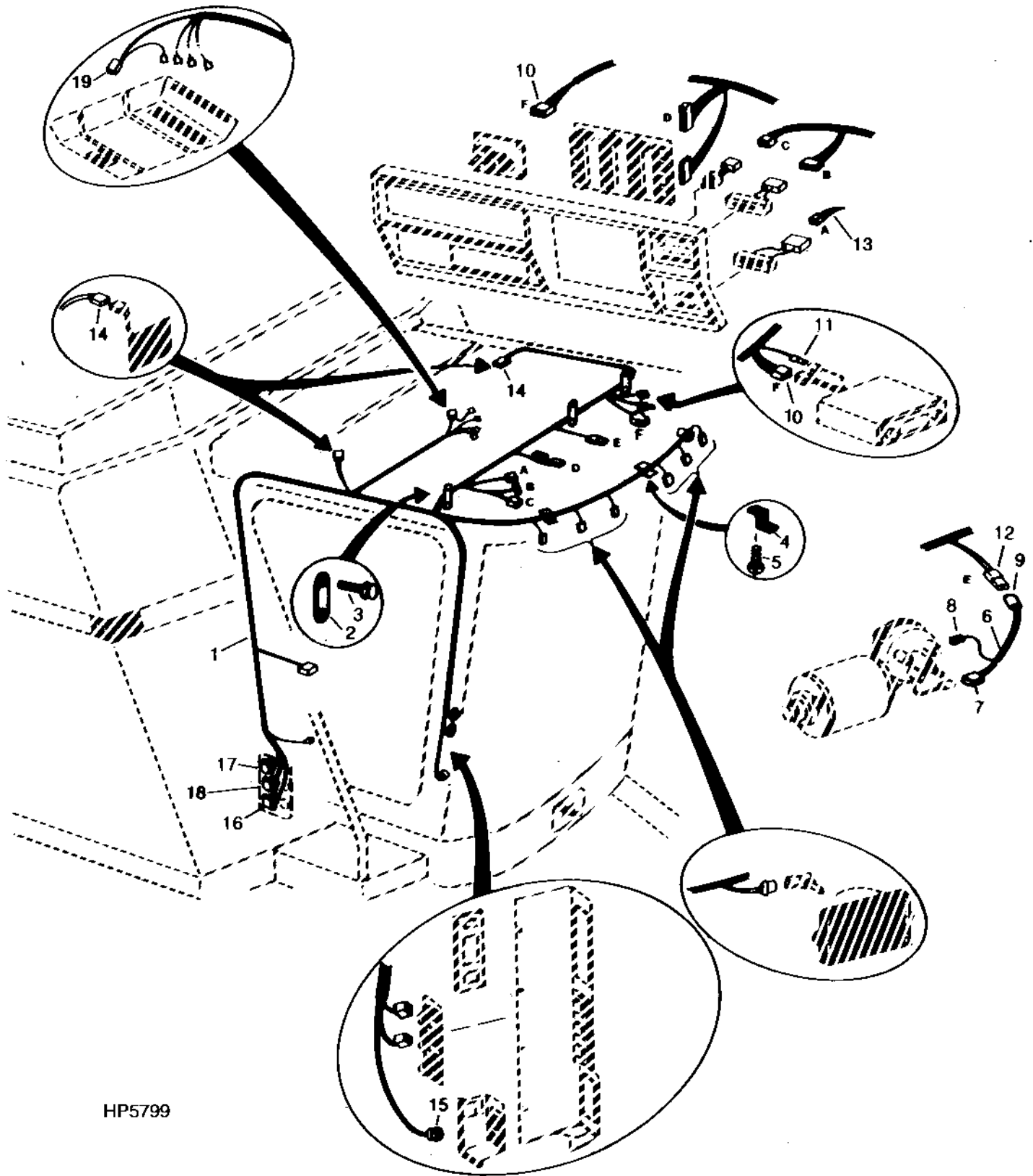
HP6762

KEY	PART NO.	PART NAME	QTY	SERIAL NO.	REMARKS
1	H131985	BASE	1		
2	57M7173	BULB	2		
3	AH126831	COVER	1		
4	H131982	LENS	1		
5	H123995	SCREW	2		
6	AH109555	ROCKER SWITCH	1		
	AH153910	SWITCH	1		
7	AH154151	WIRING HARNESS	1	29SE97-	

2C13

ELECTRICAL

CAB WIRING HARNESS
HP5799 -UN-15OCT94



HP5799

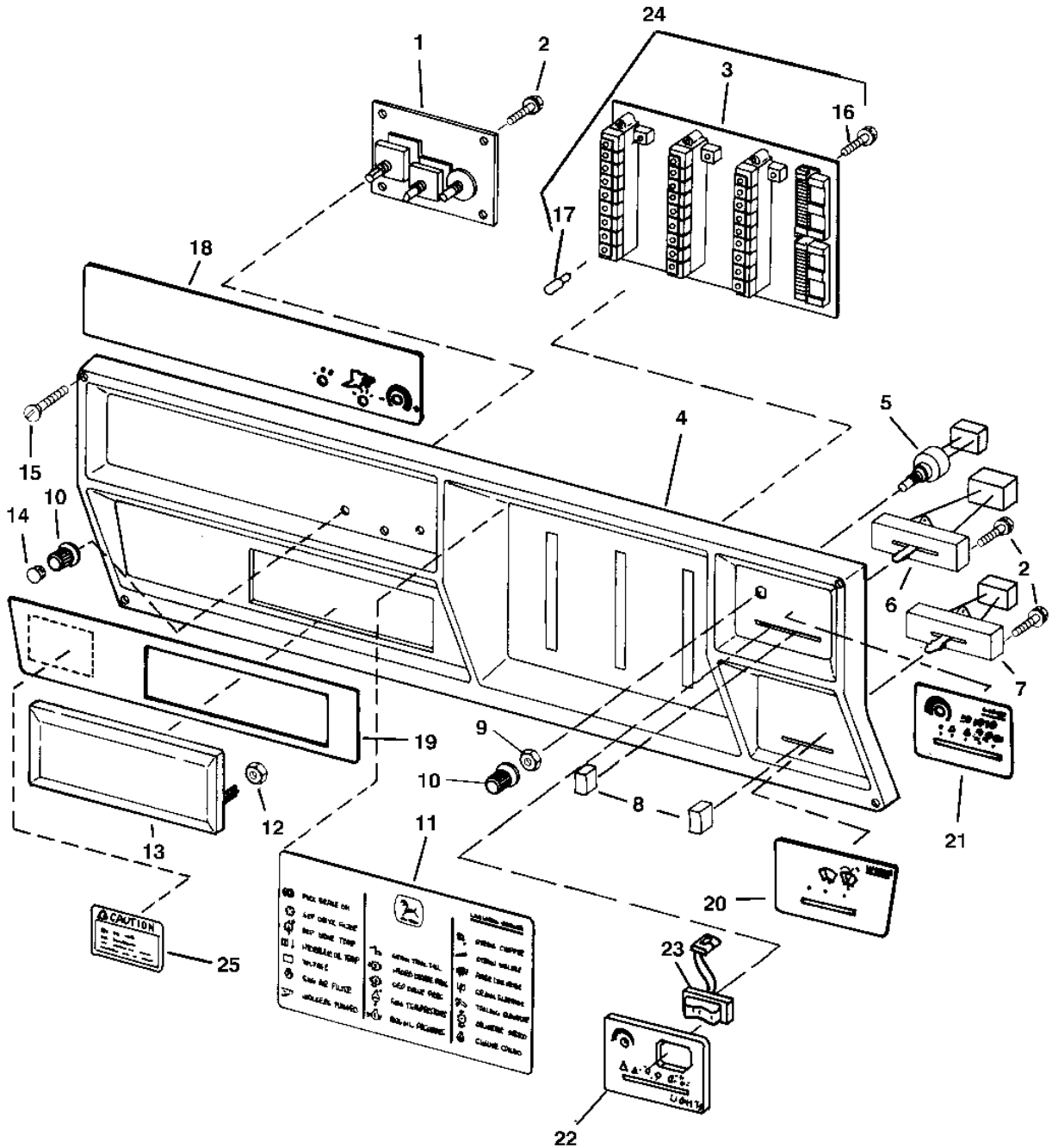
CAB WIRING HARNESS - CONTINUED

KEY	PART NO.	PART NAME	QTY	SERIAL NO.	REMARKS
1	AH151774	WIRING HARNESS	1		(SUB FOR AH137927, (2) AH138280, AH128415, AH137927, AH136466, AH142155 OR AH145021) W/ GREENSTAR
2	H129440	STRAP	3		
3	H114038	SCREW	6		
4	AH89557	CLIP	3		(SUB FOR H131302)
5	H123995	SCREW	3		
6	AH126358	WIRING HARNESS	1		
7	R77481	CONNECTOR	1		(PKG. OF 2)
	U46662	TERMINAL	1		(PKG. OF 25)
8	T28583	RECEPTACLE CONNECTOR BODY	1		(PKG. OF 3)
	U46662	TERMINAL	1		(PKG. OF 25)
9	R78053	PIN CONTACT CONNECTOR BODY	1		(PKG. OF 3)
	R78061	PIN CONTACT	1		(PKG. OF 40)
10	H118416	PIN CONTACT	1	-640100	(6 HOLES)
	R77468	TERMINAL	1	-640100	(PKG. OF 5)
11	RE12362	CONNECTOR	1	-640100	(PKG. OF 3)
	R78057	SOCKET CONTACT	1	-640100	(PKG. OF 40)
	R78047	SEAL	1	-640100	(PKG. OF 5)
12	RE12363	CONNECTOR	1		(PKG. OF 3)
	U46662	TERMINAL	1		(PKG. OF 25)
	R78060	SOCKET CONTACT	1		(PKG. OF 40)
	R78048	TERMINAL NIPPLE	1		(PKG. OF 5)
13	T24167	RECEPTACLE CONNECTOR BODY	1		
	R77464	PIN CONTACT	1		(PKG. OF 50)
	U46662	TERMINAL	1		(PKG. OF 25)
14	R77477	RECEPTACLE CONNECTOR BODY	2		(PKG. OF 2)
15	H118431	CONNECTOR	1		
16	H140664	CONNECTOR	1		(SUB FOR H107004)
	R77464	PIN CONTACT	1		(PKG. OF 50)
17	H118430	CONNECTOR	1		(37 PIN CONNECTOR)
18	R77464	PIN CONTACT	1		(PKG. OF 50)
19	R77477	RECEPTACLE CONNECTOR BODY	1		(PKG. OF 2)
	U46662	TERMINAL	1		(PKG. OF 25)

2C15

ELECTRICAL

OVERHEAD CONSOLE PANEL
HP6544 -UN-23AUG96



HP6544

2C16

ELECTRICAL

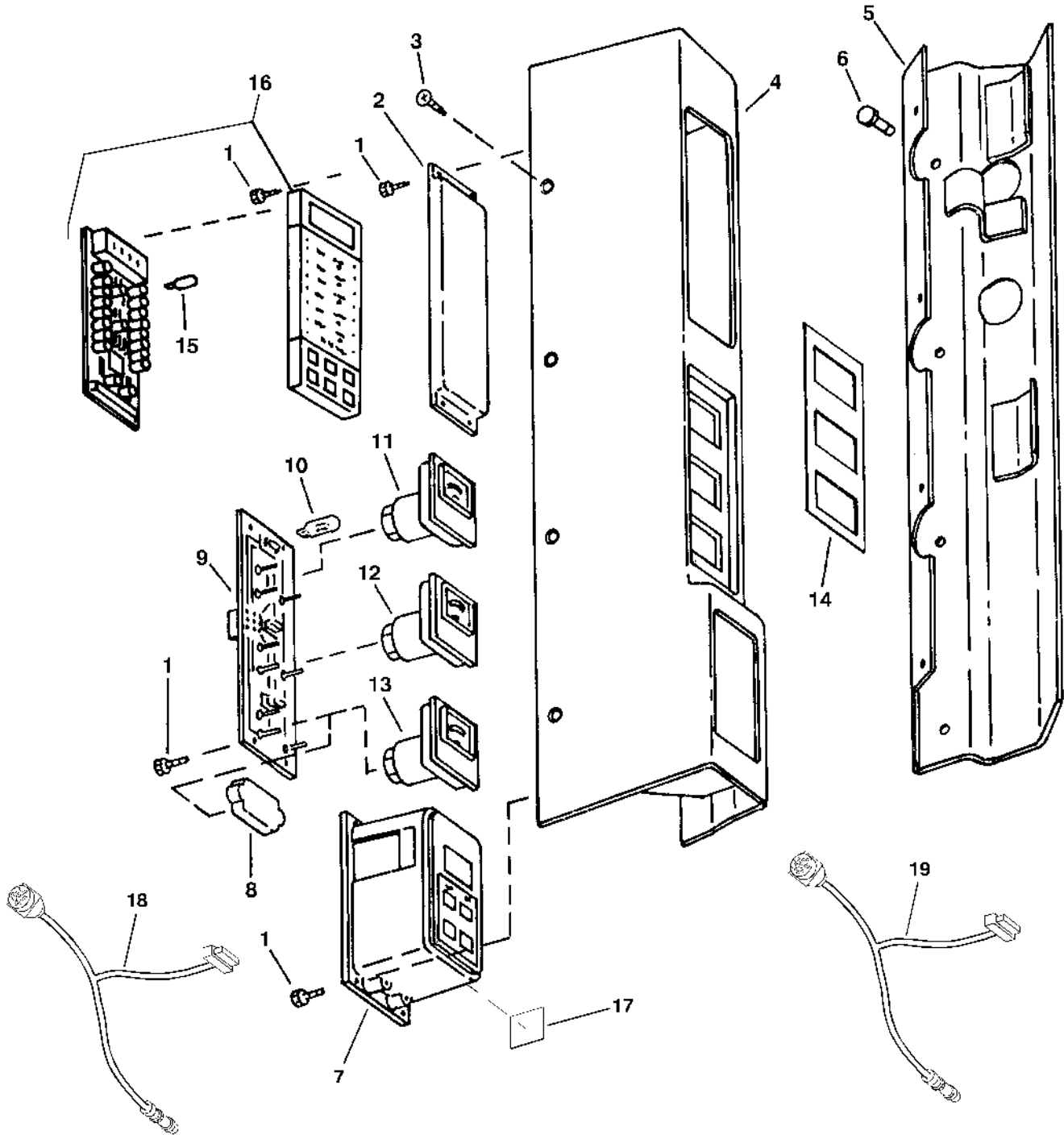
OVERHEAD CONSOLE PANEL - CONTINUED

KEY	PART NO.	PART NAME	QTY	SERIAL NO.	REMARKS
1	AH125627	CIRCUIT BOARD	1		WITH HARVESTRAK
2	H111364	SCREW	AR		10 WITH HARVESTRAK, 6 W/O HARVESTRAK
3	AH146208	KIT	1		(SUB FOR AH130129, AH136570) INCLUDES LOW SHAFT MONITOR, "AUGER ON" LIGHT AND BUZZER, AND LOW FUEL LIGHT
4	H161549	CONSOLE	1		(SUB H168421) (SUB FOR H130152, AH140610, AH145688 OR AH154277)
	H168421	PANEL	1		
5	AH115797	RHEOSTAT	1		
6	AH144741	SWITCH	1		(SUB FOR AH115799) LIGHTS
7	AH144742	SWITCH	1		(SUB FOR AH115800) WIPER
8	H110848	KNOB	2	-655451	
	H150681	KNOB	2	655452-	
9	H140248	NUT	1		
10	H130153	KNOB	4		4 WITH HARVESTRAK, 1 W/O HARVESTRAK
11	H138798	PANEL	1		(SUB FOR H132661)
	H143632	PANEL	1		(SUB FOR H135114) EXPORT ONLY - FRENCH
12	H117239	FLANGE NUT	2		LESS RADIO
13	H132795	PANEL	1		LESS RADIO
14	H113924	PLUG	3	-640684	LESS HARVESTRAK
	T15005	PLUG	3	640685-	
15	H130194	CAP SCREW	6		
16	H110842	SCREW	6		
17	AH108380	BULB	22		
18	H137539	PANEL	1		HARVESTRAK GRAPHICS
	H137538	PANEL	1		LESS HARVESTRAK
19	H145418	DECAL	1		RADIO TRIM
20	H145419	DECAL	1		WINDSHIELD WIPER GRAPHICS
21	H145420	DECAL	1		LIGHT GRAPHICS
22	H151376	DECAL	1	29SE97-	LIGHTS GRAPHICS DECAL W/OPTIONAL AUX FIELD LIGHTS
23	AH145674	ROCKER SWITCH	1	660101-	USED WITH OPTIONAL AUX FIELD LIGHTS
24	AH154573	KIT	1	22SE97-	(SUB FOR AH146208) WARNING DISPLAY PANEL
25	H155510	SIGN	1	665101-	"CAUTION" SEATBELT

2C17

ELECTRICAL

CAB POST INSTRUMENT PANEL
HP7510 -UN-06MAY98



HP7510

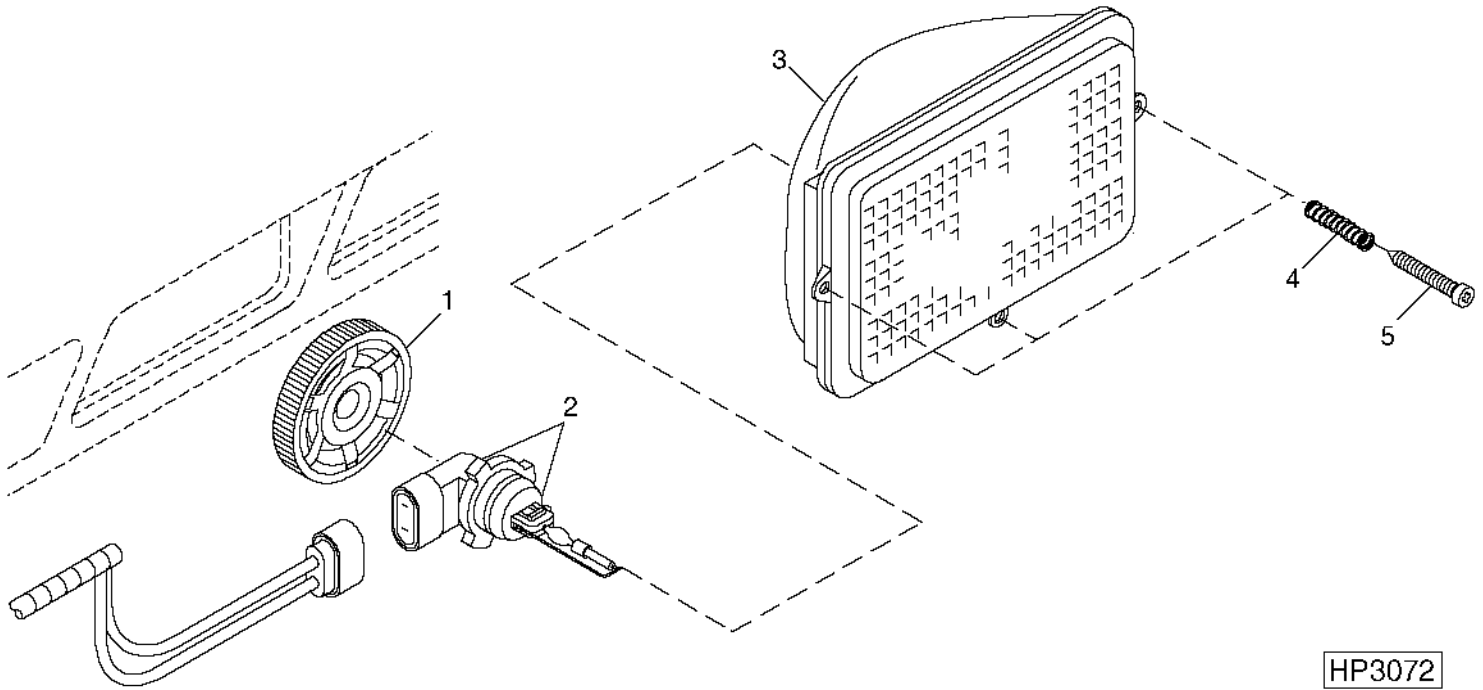
CAB POST INSTRUMENT PANEL - CONTINUED

KEY	PART NO.	PART NAME	QTY	SERIAL NO.	REMARKS
1	21M7268	SCREW	AR		M3 X 6
2	AH148192	KIT	1		(SUB FOR AH145565 OR AH142057) COMBINE DATA CENTER INCLUDES MONITOR PLUS ALL LABELS AND INSTRUCTIONS
3	H130058	PANEL	1		WITHOUT DATA CENTER
	H158579	SCREW	4		M5 X 12
4	AH140609	PANEL	1		
5	AH120570	BRACKET	1		
6	37M7089	SCREW	AR		M6 X 12
7	AH163526	KIT	1		(SUB FOR AH143068, AH147555 OR AH159984) (INCLUDES AH161335 COMBINE DIGITAL TACHOMETER AH144684 LABEL KIT, RE151221 HARNESS AND INSTRUCTIONS)
8	H129686	COVER	1		NOT USED WITH HARVESTRAK
9	AH141984	CIRCUIT BOARD	1		
10	AA27536	BULB	3		
11	AH120444	GAUGE	1		FUEL
12	AH139129	TEMPERATURE GAUGE	1		
13	AH120445	GAUGE	1		HARVESTRAK
14	H145417	DECAL	1		GAUGE GRAPHICS DECAL
15	AH108380	BULB	20		
16	AH148192	KIT	1		(SUB FOR AH145565 OR AH142057) COMBINE DATA CENTER, INCLUDES AH148191 MONITOR, LABELS AND INSTRUCTIONS
17	R133617	LABEL	1	29SE97-	
18	AH155577	WIRING HARNESS	1	29SE97-	
19	AH155928	WIRING HARNESS	1	3NOV97-	
..	BH81356	COMPLETE GOODS/SHIP. BUNDLE	1		DIGITAL CONCAVE INDICATOR

2C19

ELECTRICAL

CAB ROOF LIGHTS
HP3072 -UN-24AUG99



HP3072

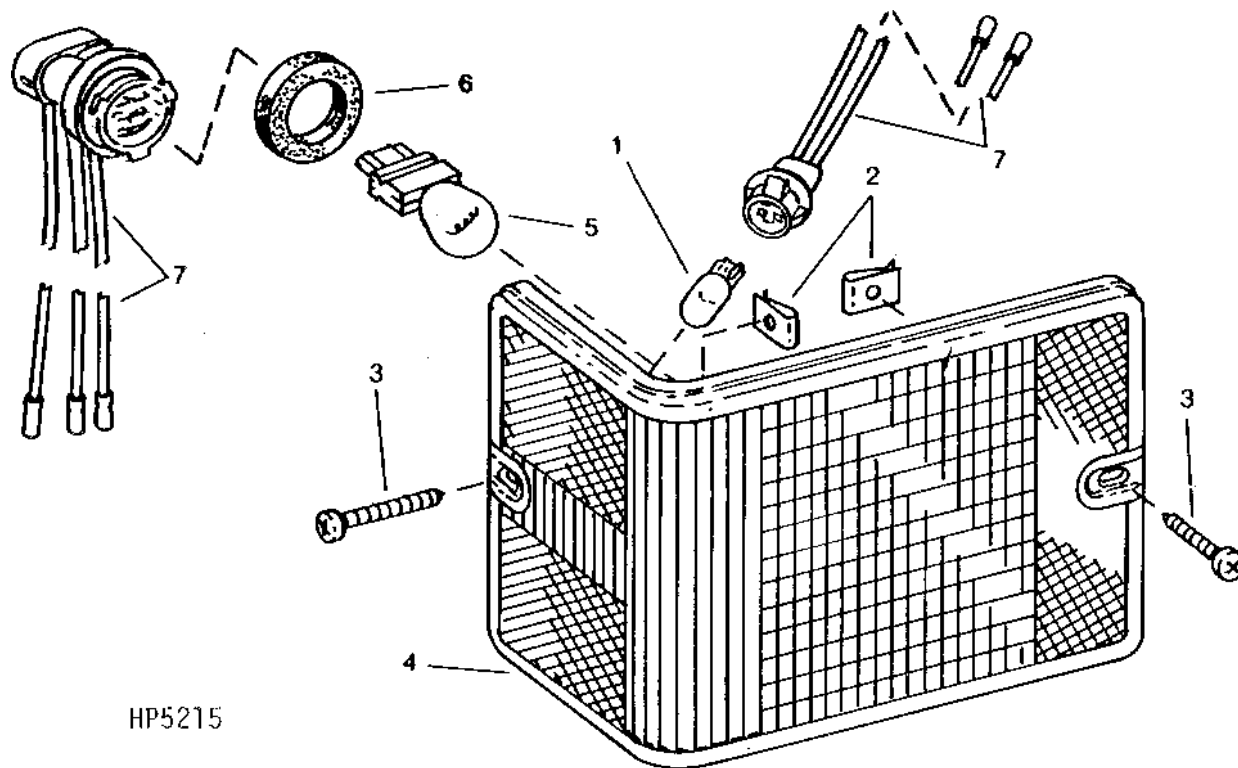
KEY	PART NO.	PART NAME	QTY	SERIAL NO.	REMARKS
1	H132900	RETAINER	6		
2	AH127718	BULB	6		
3	AH128327	FLOODLAMP	4		
	AH128328	FLOODLAMP	2		
4	H130299	SPRING	18		
5	H130298	SCREW	18		
..	BH81453	COMPLETE GOODS/SHIP. BUNDLE	1		SHOE ADJUSTING LIGHT CONVERSION

2C20

ELECTRICAL

FRONT AND REAR TURN AND TAIL LIGHTS

HP5215 -UN-01JAN94



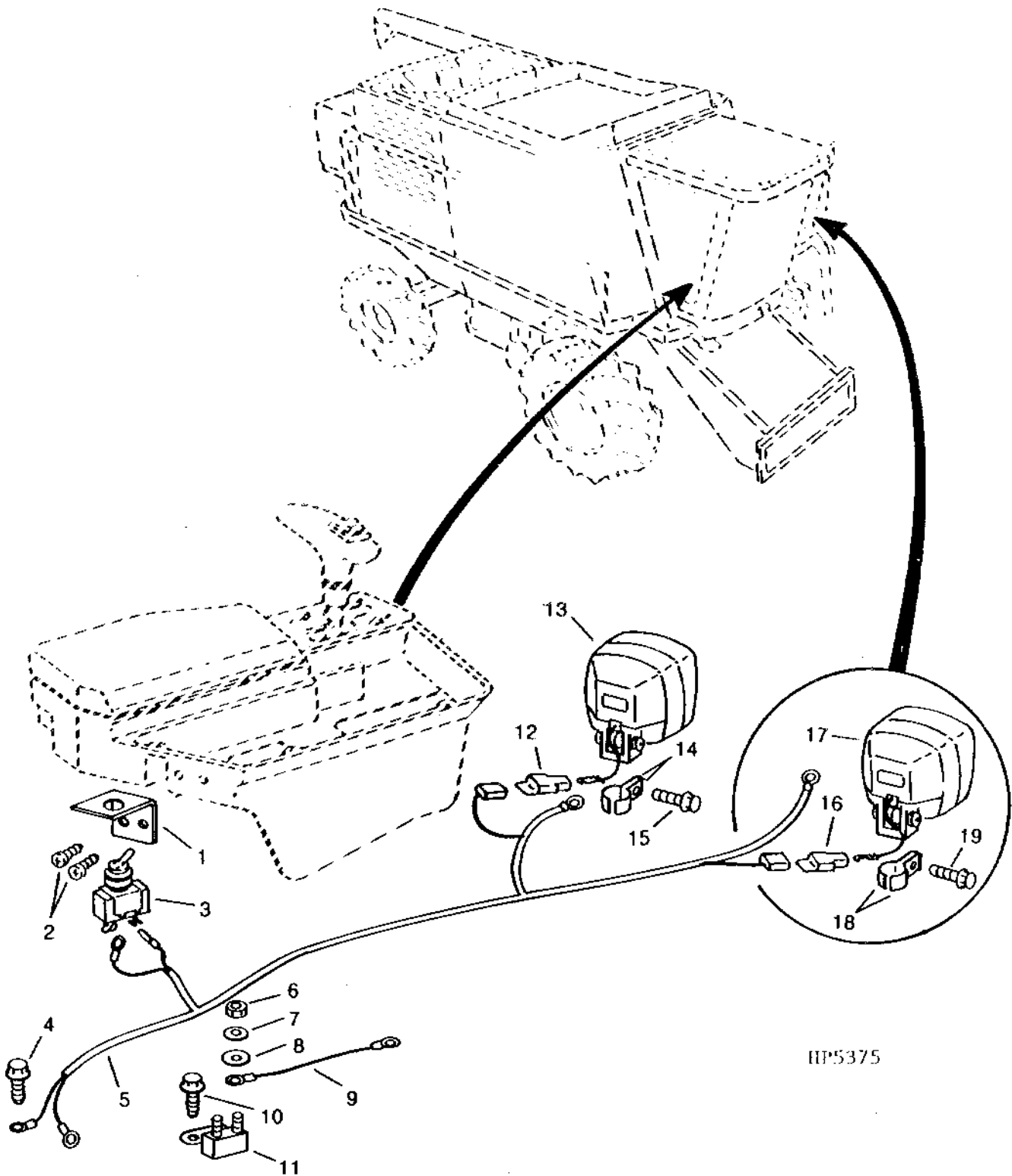
HP5215

KEY	PART NO.	PART NAME	QTY	SERIAL NO.	REMARKS
1	AR62407	BULB	6		
2	H140628	NUT	12		
3	H140627	SCREW	12		(SUB FOR 37M7182)
4	AH123014	LAMP	1		AMBER, R.H. FRONT
	AH123015	LAMP	1		AMBER, L.H. FRONT
	AH123016	LAMP	2		RED, R.H. AND L.H. REAR
	AH123017	TAIL LAMP	2		AMBER, R.H. AND L.H. REAR
5	H133384	BULB	6		
6	H141955	SEAL	1		
7	AH140120	KIT	1	640627-	SOCKET KIT (CONTAINS (1) LARGE REAR SOCKET AND (1) SMALL SIDE SOCKET)

2C21

ELECTRICAL

AUXILIARY FIELD LIGHTING
HP5375 -UN-01JAN94



HP5375

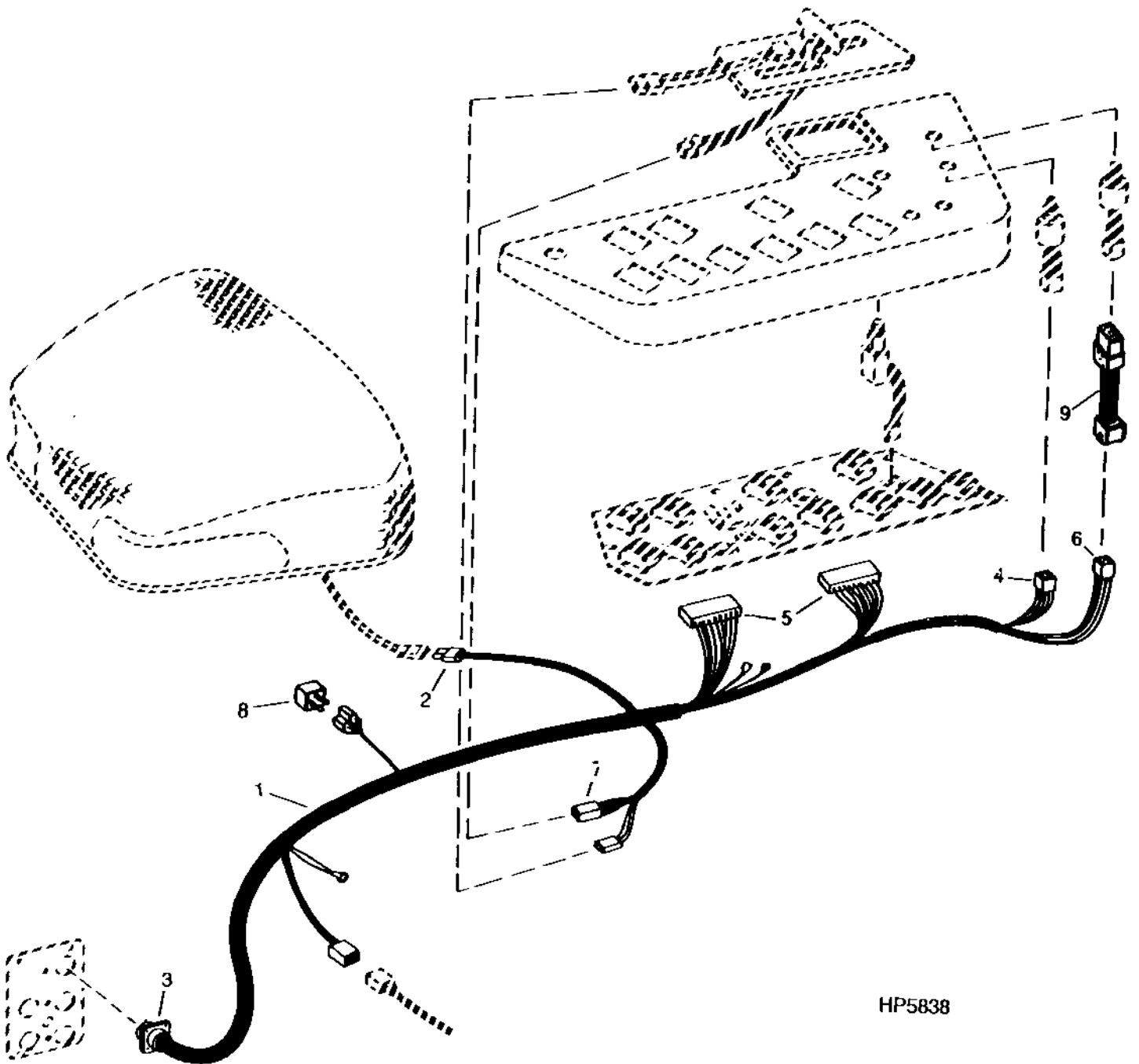
AUXILIARY FIELD LIGHTING - CONTINUED

KEY	PART NO.	PART NAME	QTY	SERIAL NO.	REMARKS
1	H147249	BRACKET	1		
2	H111706	SCREW	2		
3	AH87806	SWITCH	1		TO BRACKET IN CAB
4	37H147	SCREW	1		TO RELAY PANEL
5	AH141171	WIRING HARNESS	1		ROUTE ALONG R.H. MAIN WIRING HARNESS
6	14H631	NUT	2		0.190"
7	12H246	LOCK WASHER	2		0.190"
8	24M7027	WASHER	2		5.300 X 10 X 1 MM
9	AH141131	WIRING LEAD	1		ONE END TO BUSS BAR, OTHER TO CIRCUIT BREAKER
10	37H147	SCREW	2		
11	AR28403	CIRCUIT BREAKER	1		ATTACH TO ENGINE COMPARTMENT RELAY
12	T28585	TAB CONNECTOR BODY	1		
13	AT135485	FLOODLAMP	1		TO LEFT HAND SIDE
14	AH140706	KIT	1		CONTAINS TWO HALF CLAMPS
15	19M7867	SCREW	1		M8 X 25
16	T28585	TAB CONNECTOR BODY	1		
17	AT135485	FLOODLAMP	1		TO RIGHT HAND SIDE
18	AH140706	KIT	1		CONTAINS TWO HALF CLAMPS
19	19M7867	SCREW	1		M8 X 25
..	R44302	TIE BAND	AR		USE TO SECURE WIRING HARNESS TO ENGINE HARNESS
..	BH79711	COMPLETE GOODS/SHIP. BUNDLE	1		KIT - OPTIONAL FIELD LIGHTS

2C23

ELECTRICAL

ARMREST WIRING HARNESS
HP5838 -UN-15OCT94



HP5838

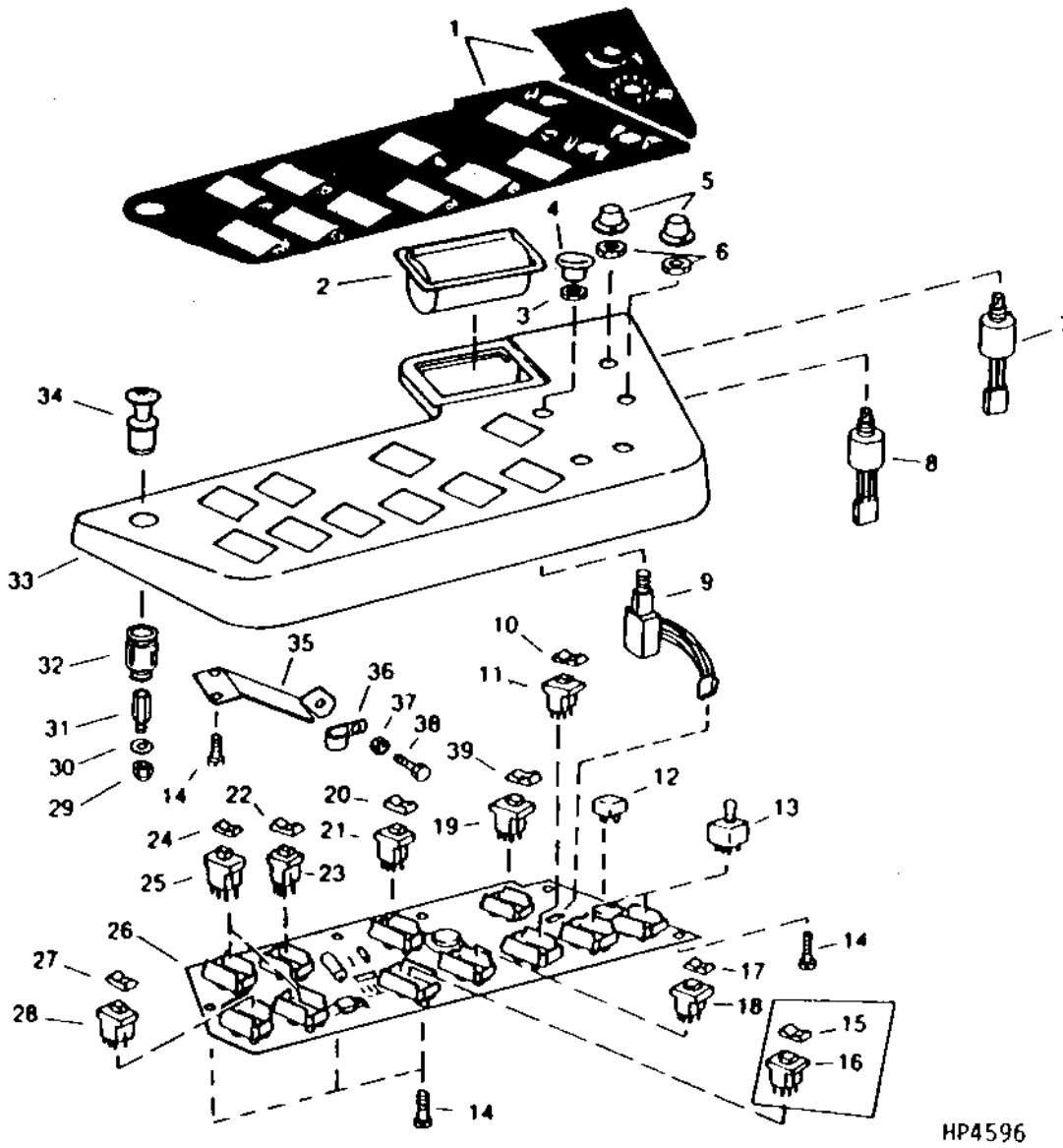
ARMREST WIRING HARNESS - CONTINUED

KEY	PART NO.	PART NAME	QTY	SERIAL NO.	REMARKS
1	AH145026	WIRING HARNESS	1		(SUB FOR AH128419, AH136467 OR AH143301)
2	RE12363	CONNECTOR	1		(PKG. OF 5)
	R78048	TERMINAL NIPPLE	1		(PKG. OF 3)
	R78063	TERMINAL NIPPLE	1		(PKG. OF 40)
	R78060	SOCKET CONTACT	1		(PKG OF 40)
3	H118430	CONNECTOR	1		(37 PIN CONNECTOR)
4	AH116902	CONNECTOR	1		CONNECTS TO DIAL-A-SPEED SWITCH
5	R77465	SOCKET CONTACT	AR		
6	R77465	SOCKET CONTACT	AR		CONNECTS TO ADAPTER HARNESS
7	AH116902	CONNECTOR	1	-660100	CONNECTS TO SWITCHES IN HYDRO HANDLE
8	AH106612	RELAY	1		
9	AH146207	WIRING HARNESS	1		CONNECTS TO DIAL-A-MATIC SWITCH (INCLUDES DECAL)

2D1

ELECTRICAL

ARMREST CONTROL PANEL
HP4596 -UN-29JUN92



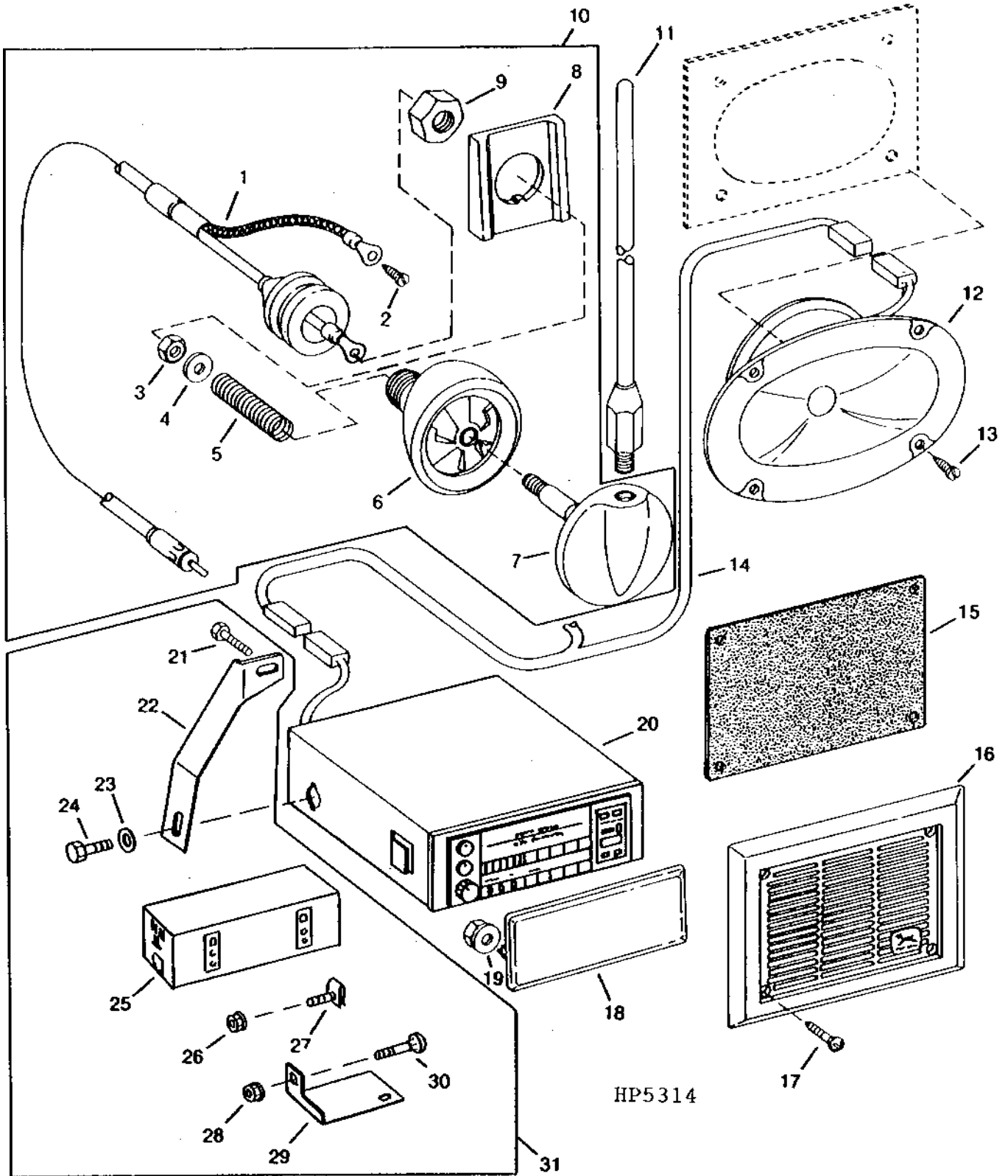
ARMREST CONTROL PANEL - CONTINUED

KEY	PART NO.	PART NAME	QTY	SERIAL NO.	REMARKS
1	H129723	PANEL	1		
	H150929	PANEL	1		(CONTOUR MASTER)
2	AH104259	ASHTRAY	1		
3	H140248	NUT	1		
4	H134169	KNOB	1		
5	AH126811	KNOB	1		
6	H106246	LOCK NUT	1		
7	AH145947	SWITCH	1		(SUB FOR AH121199 OR AH135951)
8	AH121190	SWITCH	1		DIAL-A-SPEED (OPT)
9	AH128904	SWITCH	1		UNLOADING AUGER ENGAGE
10	H143918	ACTUATOR	1		(SUB FOR H130448) MANUAL REEL SPEED,
	H151908	LABEL	1		(SUB FOR H144562 OR H145511)
11	AH109120	SWITCH	1		MANUAL REEL SPEED
12	AH106612	RELAY	1		
13	AH111704	TOGGLE SWITCH	2		HEADER ENGAGE OR SEPARATOR ENGAGE
14	H111706	SCREW	4		
15	H143918	ACTUATOR	1		(SUB FOR H132965) PARK BRAKE
	H151908	LABEL	1		(SUB FOR H145511) PARK BRAKE, MANUAL
16	AH111705	ROCKER SWITCH	1	-640100	PARK BRAKE, MANUAL BRAKE USED 1991 & UP, (CONTOUR MASTER)
17	H143918	ACTUATOR	1		(SUB FOR H130450) REEL FORE AND AFT,
	H151908	LABEL	1		(SUB FOR H144562 OR H145511)
18	AH109120	SWITCH	1		REEL FORE AND AFT
19	AH112169	ROCKER SWITCH	1		UNLOADING AUGER SWING
20	H143918	ACTUATOR	1		(SUB FOR H130455) ENGINE SPEED
	H151908	LABEL	1		(SUB FOR H144562 OR H145511)
21	AH111705	ROCKER SWITCH	1		ENGINE SPEED
22	H143918	ACTUATOR	1		(SUB FOR H130454)
	H151908	LABEL	1		(SUB FOR H144562 OR H145511)
23	AH111705	ROCKER SWITCH	1		4-WHEEL DRIVE (OPT)
24	H143918	ACTUATOR	1		(SUB FOR H130448) CLEANING FAN OR CYL.SPEED,
	H151908	LABEL	1		LABLE H159740
					(SUB FOR H144562 OR H145511)
25	AH109120	SWITCH	1		CLEANING FAN OR CYL. SPEED
26	AH153332	CIRCUIT BOARD	1		
27	H143918	ACTUATOR	1		(SUB FOR H143918) CONCAVE SPACING, LABLE
					H159740
	H151908	LABEL	1		(SUB FOR H144562 OR H145511)
28	AH109120	SWITCH	1		CONCAVE SPACING
29	14H605	NUT	1		0.164"
30	12H290	LOCK WASHER	1	-660192	4.166 MM (0.164") (SUB 12M7084)
	12M7084	LOCK WASHER	1		4.300 MM (0.169")
31	H129367	SPACER	1		
32	AR56766	HOUSING	1		
33	AH125240	COVER	1	-640100	INCS H129723 DECAL, (SUB H129723 AND H143593)
	H168426	COVER	1	640101-	(SUB FOR H143593)
34	AT26407	LIGHTER	1		
35	H126846	BRACKET	1		
36	AH117301	CLAMP	1	-640603	
	AH90990	CLIP	1	640604-	
37	14M7298	FLANGE NUT	1		M8
38	19M7865	SCREW	1		M8 X 16
39	H143918	ACTUATOR	1		(SUB FOR H130453) UNLOADING AUGER SWING, LABLE H159740
	H151908	LABEL	1		(SUB FOR H144562 OR H145511) LABLE H159740
..	BH79485	COMPLETE GOODS/SHIP. BUNDLE	1		DIAL-A-SPEED CONTROL

2D3

ELECTRICAL

RADIO, SPEAKERS AND ANTENNA (OPTIONAL)
HP5314 -UN-01JAN94



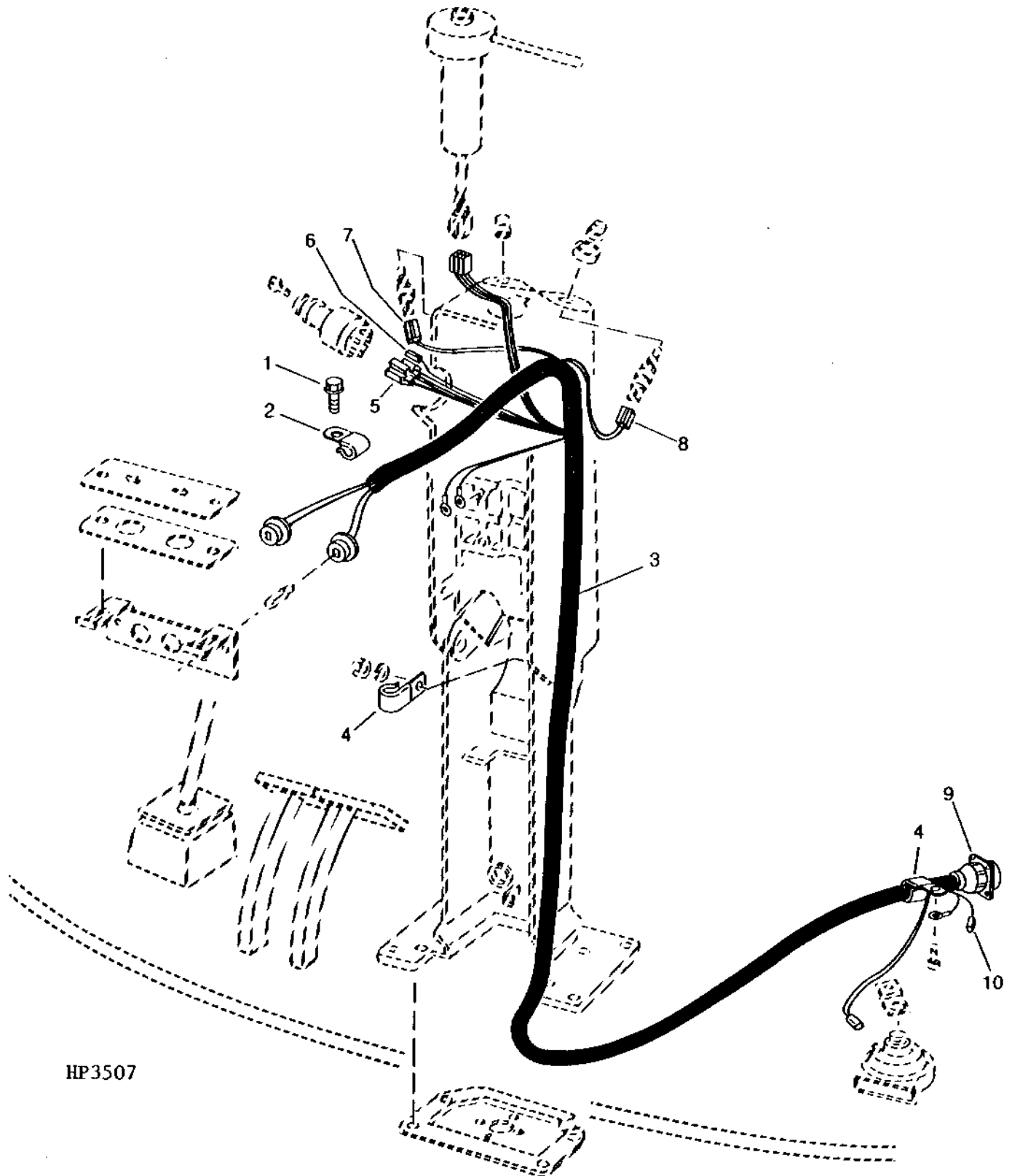
RADIO, SPEAKERS AND ANTENNA - CONTINUED

KEY	PART NO.	PART NAME	QTY	SERIAL NO.	REMARKS
1	AH124932	WIRING LEAD	1	-643899	(SUB AH141012)
2	37M7089	SCREW	1		M6 X 12
3	14M7152	NUT	1		M10
4	24M7096	WASHER	1		10.500 X 18 X 1.600 MM, (SUB FOR 24H1303)
5	SPRING	1		(SUB AH141012)
6	FLANGE	1		(SUB AH141012)
7	BASE	1		(SUB AH141012)
8	SPACER	1		(SUB AH141012)
9	14M7309	NUT	1		M24
10	AH141012	KIT	1	643900-	ANTENNA
11	AR104516	ANTENNA	1		
12	AR104520	SPEAKER	2	-640100	
	AH138098	SPEAKER	2	640101-	
13	37M7215	SCREW	4		
14	AH142155	WIRING HARNESS	1		(SUB FOR AH128415, AH137927 OR AH136466)
15	H145264	ISOLATOR	1	640101-	
16	H144255	GRILLE	2		(SUB FOR H120188)
17	37M7100	SCREW	4		
18	H132795	PANEL	1		
19	H117239	FLANGE NUT	2		LESS RADIO
20	TY15451	KIT	1	-640100	AM/FM (AH138279 AND AH138280 NEEDED TO INSTALL INTO MODEL YEAR 1991 AND ABOVE)
	PM9000	RADIO	1	-640100	AH138279 AND AH138280 NEEDED TO INSTALL INTO MODEL YEAR 1991 AND ABOVE
	TY15452	KIT	1	-640100	AH138279 AND AH138280 NEEDED TO INSTALL INTO MODEL YEAR 1991 AND ABOVE
	PM9200	RADIO	1	-640100	AH138279 AND AH138280 NEEDED TO INSTALL INTO MODEL YEAR 1991 AND ABOVE
	AH138289	RADIO	1	640101-640684	(SUB AH140785 AND AH140786) AM/FM RADIO WITH CASSETTE
	AH140785	RADIO	1	-655118	AM/FM WITH CASSETTE AND WEATHER BAND
	RE55277	RADIO	1	655119-	(NO LONGER AVAILABLE) (ORDER DIRECTLY FROM WATERLOO)
	AH140784	RADIO	1		(SUB FOR AH138099 AND AH140786) AM/FM RADIO (DELCO)
	RE55278	RADIO	1	655119-	
21	H114038	SCREW	1	-640100	
22	H132780	SUPPORT	1	-640100	
	AH140786	KIT	1	640101-	
23	24M7027	WASHER	1		5.300 X 10 X 1 MM, USED ON 19M7700 CAP SCREW
24	19M7700	CAP SCREW	1		M5 X 10, THROUGH SUPPORT INTO RADIOS AH140784 AND AH140785
25	SLEEVE	1		(SUB AH140786) USED WITH RADIOS AH140784 AND AH140785
26	14M7375	FLANGE NUT	1	-640100	M5
27	R99173	CLIP	1	-640100	(SUB AH140786)
	AH140786	KIT	1		
28	14M7303	FLANGE NUT	1		M6, USED ON 03M7251
29	BRACKET	1		(SUB AH140786) USED WITH RADIOS AH138289 AND AH138099 ONLY
30	03M7251	BOLT	1		M6 X 12, USED WITH RADIOS AH138289 AND AH138099 ONLY, THROUGH BRACKET AND SUPPORT
31	AH140786	KIT	1		

2D5

ELECTRICAL

STEERING COLUMN WIRING HARNESS (-645340)
HP3507 -UN-01JAN94



HP3507

2D6

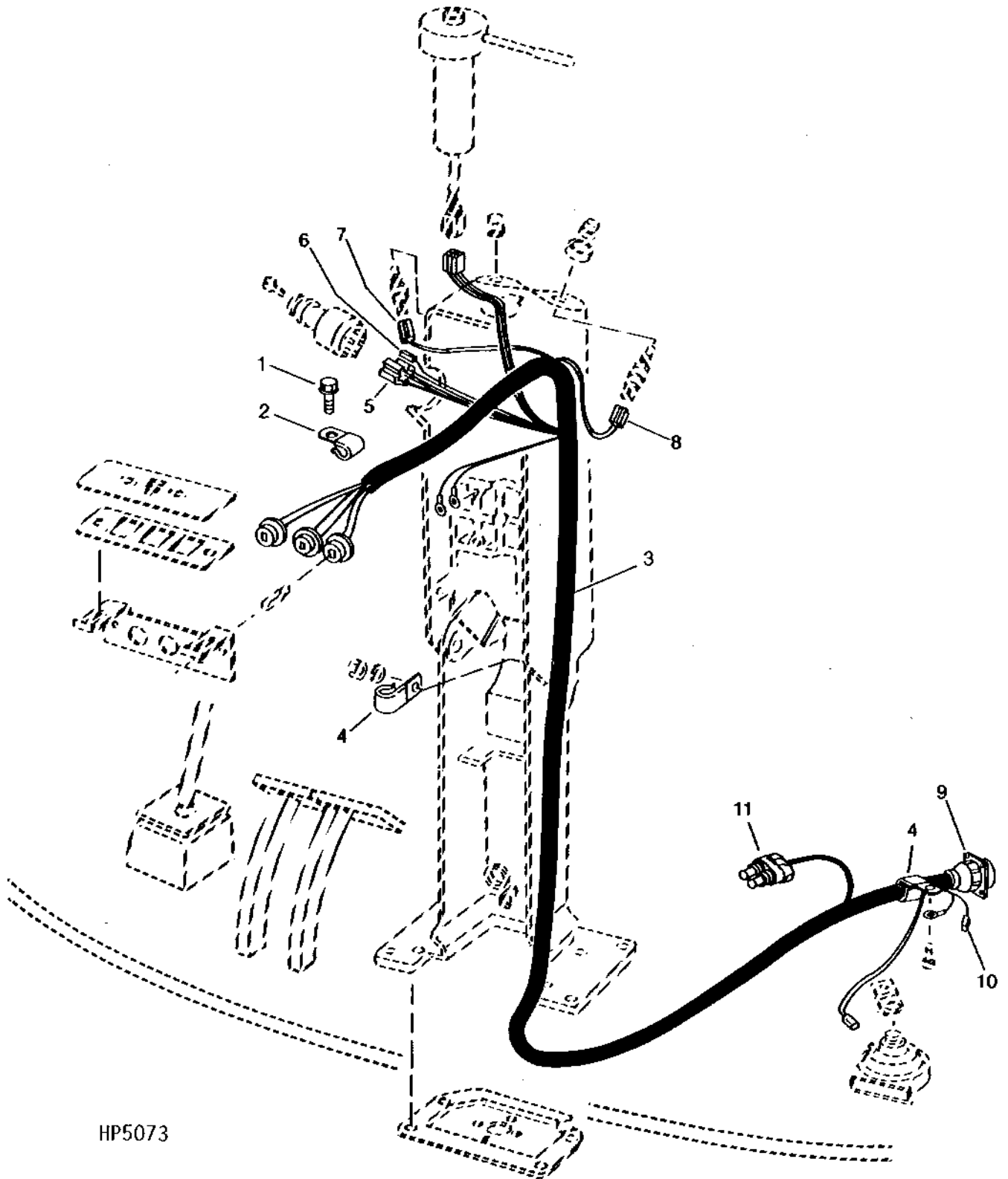
ELECTRICAL

STEERING COLUMN WIRING HARNESS (-645340) - CONTINUED

KEY	PART NO.	PART NAME	QTY	SERIAL NO.	REMARKS
1	37M7083	SCREW	1		M8 X 12
2	AH89557	CLIP	1	-640195	
3	AH134296	WIRING HARNESS	1		(SUB FOR AH128401 OR AH134225)
4	AH96317	CLIP	2		(SUB FOR AH89486)
5	L38138	RECEPTACLE CONNECTOR BODY	1		
	M71442	TERMINAL	1		
6	T28583	RECEPTACLE CONNECTOR BODY	1		
	U46662	TERMINAL	1		
7	R77480	RECEPTACLE CONNECTOR BODY	1		(SUB FOR M71184)
	M71442	TERMINAL	1		
	U46663	TERMINAL	1		
8	R77480	RECEPTACLE CONNECTOR BODY	1	-645280	(SUB FOR M71184)
	M71442	TERMINAL	1		
9	57M7199	RECEPTACLE	1		(24 HOLES, PLAIN)
10	R78053	PIN CONTACT CONNECTOR BODY	1		(PKG OF 3)

STEERING COLUMN WIRING HARNESS

(645341-)
HP5073 -UN-01JAN94



HP5073

2D8

ELECTRICAL

STEERING COLUMN WIRING HARNESS - CONTINUED
(645341-)

KEY	PART NO.	PART NAME	QTY	SERIAL NO.	REMARKS
1	37M7083	SCREW	1	M8 X 12	
2	AH89557	CLIP	1		
3	AH134296	WIRING HARNESS	1		
4	AH96317	CLIP	2	(SUB FOR AH89486)	
5	M71442	TERMINAL	1	(SUB FOR L38138)	
6	T28583	RECEPTACLE CONNECTOR BODY	1	CONNECT TO KEY SWITCH	
	U46662	TERMINAL	1		
7	R77480	RECEPTACLE CONNECTOR BODY	1	(SUB FOR M71184)	
	M71442	TERMINAL	1		
	U46663	TERMINAL	1		
8	R77480	RECEPTACLE CONNECTOR BODY	1	(SUB FOR M71184)	
	M71442	TERMINAL	1		
9	57M7199	RECEPTACLE	1	(24 HOLES, PLAIN)	
10	R78053	PIN CONTACT CONNECTOR BODY	1	(PKG. OF 3)	
11	RE12363	CONNECTOR	1	TWO PIN, (PKG. OF 5), CONNECTS TO MANUAL PARK BRAKE SWITCH	
	R78048	TERMINAL NIPPLE	1	(PKG. OF 3)	
	R78063	TERMINAL NIPPLE	1	(PKG. OF 40)	
	R78060	SOCKET CONTACT	1	(PKG. OF 40)	

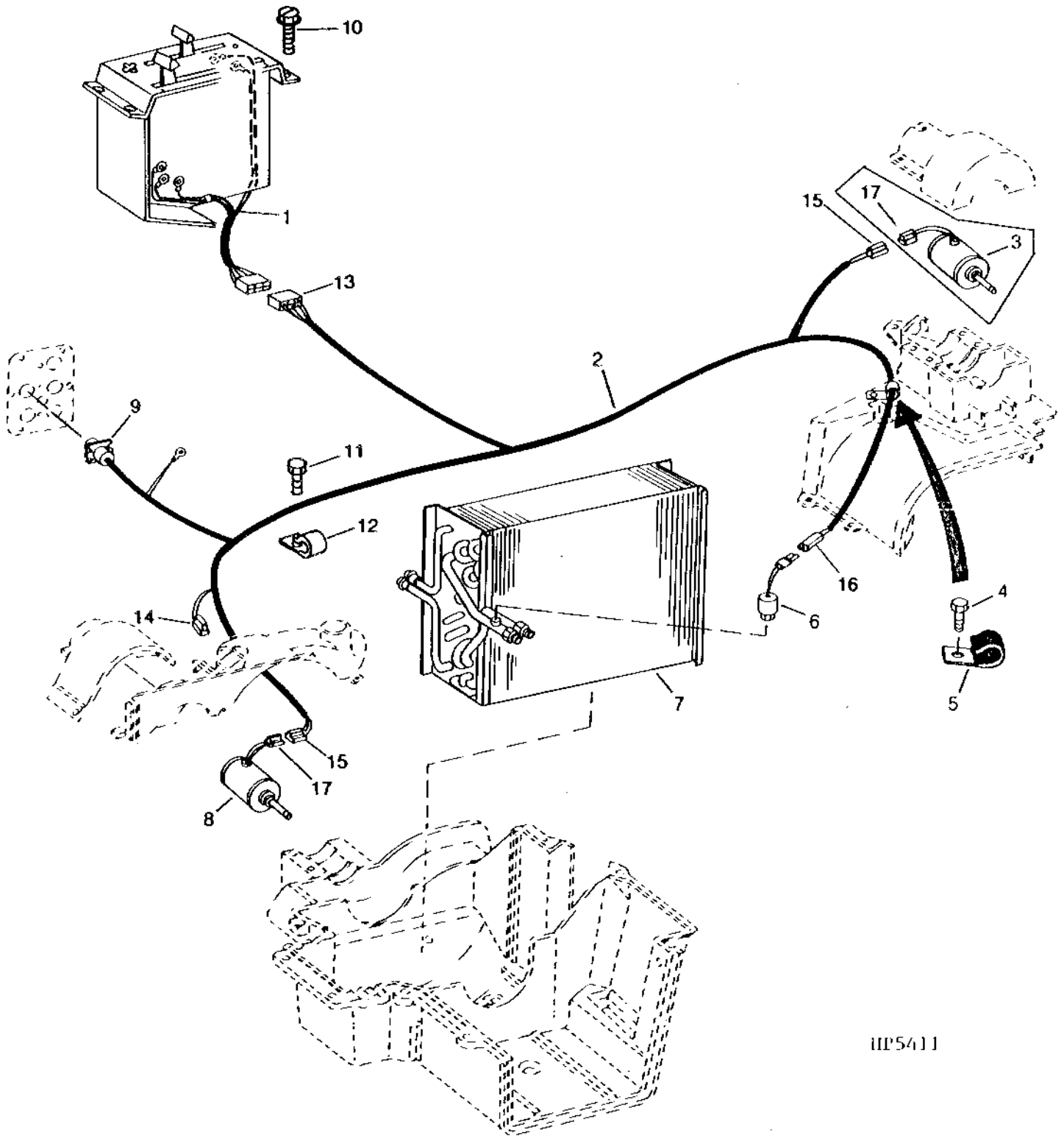
2D9

ELECTRICAL

AIR CONDITIONER AND HEATER WIRING HARNESS

(-660100)

HP5411 -UN-01JAN94



HP5411

2D10

ELECTRICAL

AIR CONDITIONER AND HEATER WIRING HARNESS - CONTINUED
 (-660100)

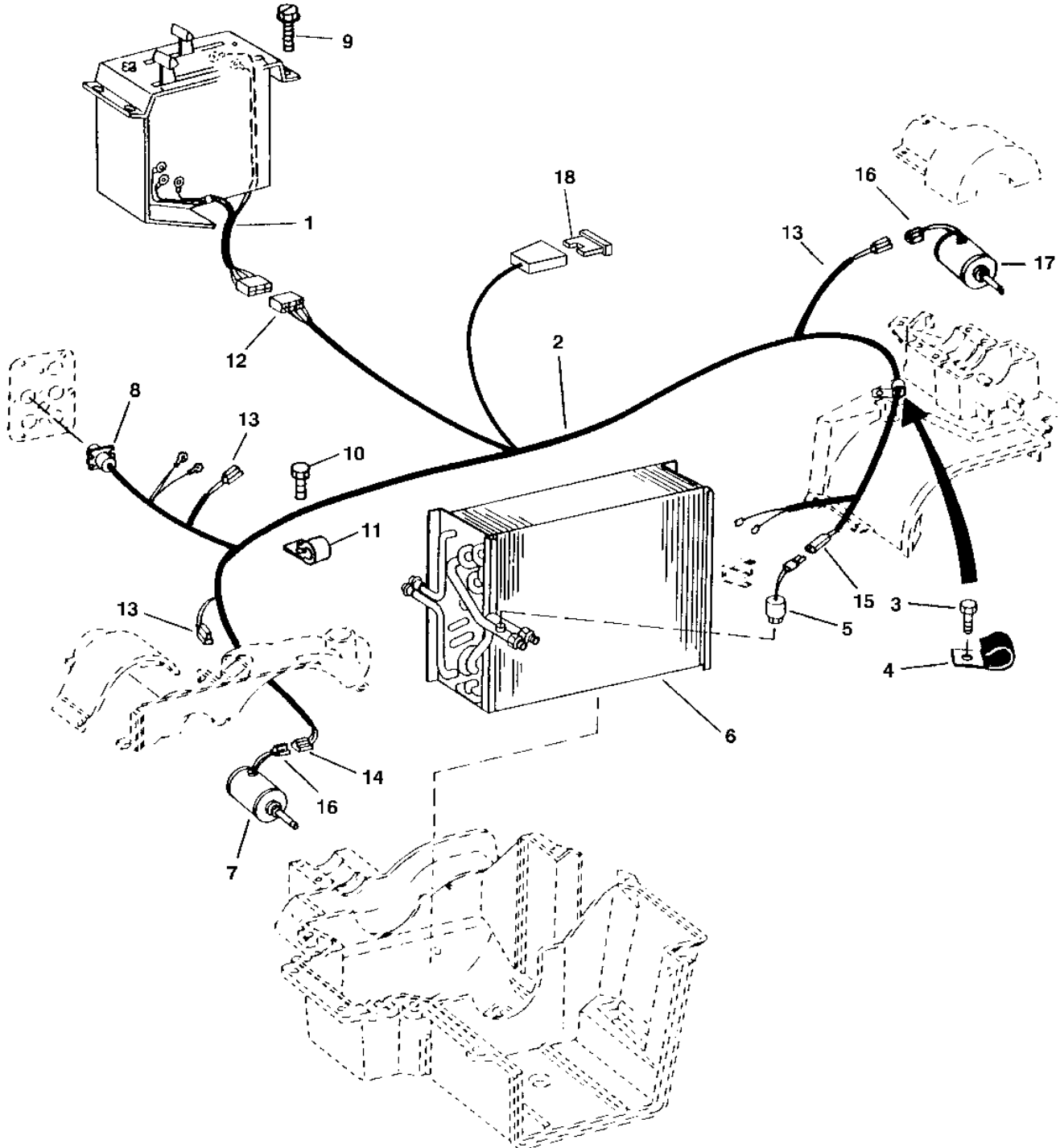
KEY	PART NO.	PART NAME	QTY	SERIAL NO.	REMARKS
1	AH144096	CONTROL	1		(INCLUDES H127878)
2	AH144018	WIRING HARNESS	1		(SUB FOR AH128402)
3	AH128925	MOTOR	1		PRESSURIZER
	H129887	ISOLATOR	1		(USE WITH AH128925)
4	19M7862	SCREW	1		M6 X 20
5	AH89557	CLIP	1	-640195	
6	AH144084	SWITCH	1		(SUB FOR AH116110)
7	AH132264	EVAPORATOR	1		(SUB FOR AH130957)
8	AH128926	MOTOR	1		AC/HEATER
9	H130511	CONNECTOR	1		
	R78061	PIN CONTACT	1		(PKG. OF 40)
10	H114038	SCREW	4		
11	H123998	SCREW	1		
12	AH89486	CLIP	1		(SUB AH96317)
13	T34067	TERMINAL	1		(PKG. OF 25)
14	R77483	CONNECTOR	1		
15	R77476	CONNECTOR	2		(PKG. OF 2)
16	R78053	PIN CONTACT CONNECTOR BODY	1		(PKG. OF 3)
	R78061	PIN CONTACT	1		(PKG. OF 40)
	T34067	TERMINAL	1		(PKG. OF 25)
17	T28586	CONNECTOR	1	-640100	

2D11

ELECTRICAL

AIR CONDITIONER, HEATER AND AIR SEAT WIRING HARNESS

(660101-)
HP6534 -UN-23AUG96



HP6534

AIR CONDITIONER, HEATER AND AIR SEAT WIRING HARNESS - CONTINUED
(660101-)

KEY	PART NO.	PART NAME	QTY	YEAR	REMARKS
1	AH144096 24H1914	CONTROL WASHER	1 3		(INCLUDES (3) M48109 AND M82321) 3.175 X 7.925 X 0.813 MM (1/8" X 5/16" X 0.032")
	M82321	NUT	1	-650237	6.100 MM (0.240") (SUB M80082)
	M80082	NUT	1		6.350 MM (1/4")
2	AH148616	WIRING HARNESS	1		(SUB FOR AH136896)
3	19M7862	SCREW	1		M6 X 20
4	AH89557	CLIP	1		
5	AH116110	SWITCH	1		LOW TEMP
6	AH132264	EVAPORATOR	1		EVAPORATOR AND HEATER COMBINATION
7	AH128926	MOTOR	1		
8	H130511	CONNECTOR	1		(4 PIN)
	R78061	PIN CONTACT	1		(PKG OF 40)
9	H114038	SCREW	4		
10	H123998	SCREW	1		
11	AH89486	CLIP	1		
12	T34067	TERMINAL	1		(PKG OF 25)
13	R77483	CONNECTOR	3		(2 PIN)
14	R77476	CONNECTOR	1		(PKG OF 2) (3 PIN)
15	R78053	PIN CONTACT CONNECTOR BODY	1		(PKG OF 3) (2 PIN)
	R78061	PIN CONTACT	1		(PKG OF 40)
	T34067	TERMINAL	1		(PKG OF 25)
16	T28586	CONNECTOR	1		(3 PIN)
17	AH128925	MOTOR	1		PRESSURIZER
	H129887	ISOLATOR	1		(USE WITH AH128925)
18	AM108845	KIT	1		COMPRESSOR CLUTCH, 10 AMP

2D13

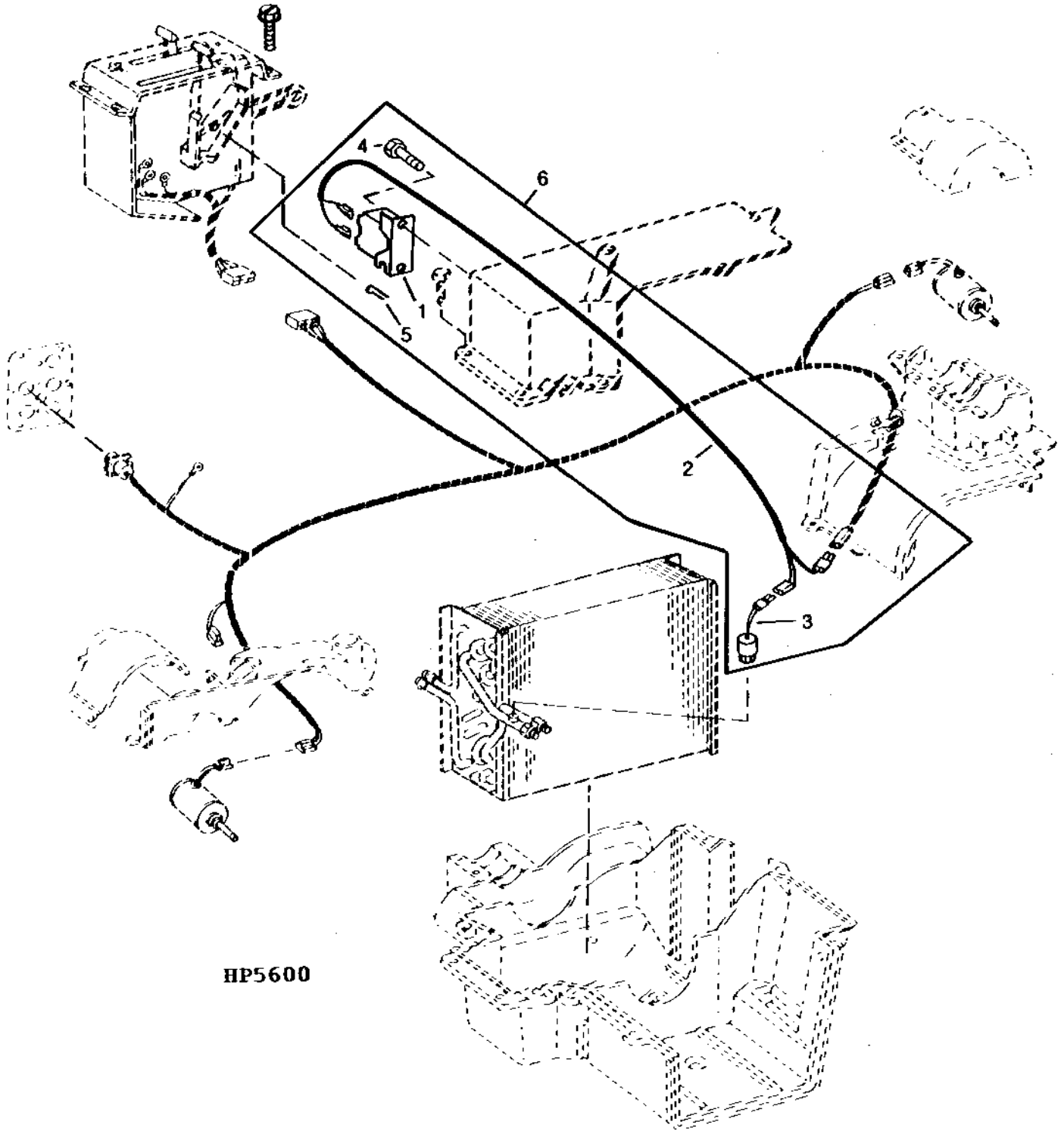
ELECTRICAL

AIR CONDITIONER THERMOSTAT KIT

(630101-640100)

HP5600

-UN-01JAN94



HP5600

2D14

ELECTRICAL

AIR CONDITIONER THERMOSTAT KIT - CONTINUED
(630101-640100)

KEY	PART NO.	PART NAME	QTY	SERIAL NO.	REMARKS
1	AH144020	THERMOSTAT	1		
2	AH144019	WIRING HARNESS	1		
3	AH144084	SWITCH	1		
4	H123998	SCREW	2		
5	H150099	SPRING LOCKING PIN	1		
6	AH144338	KIT	1		

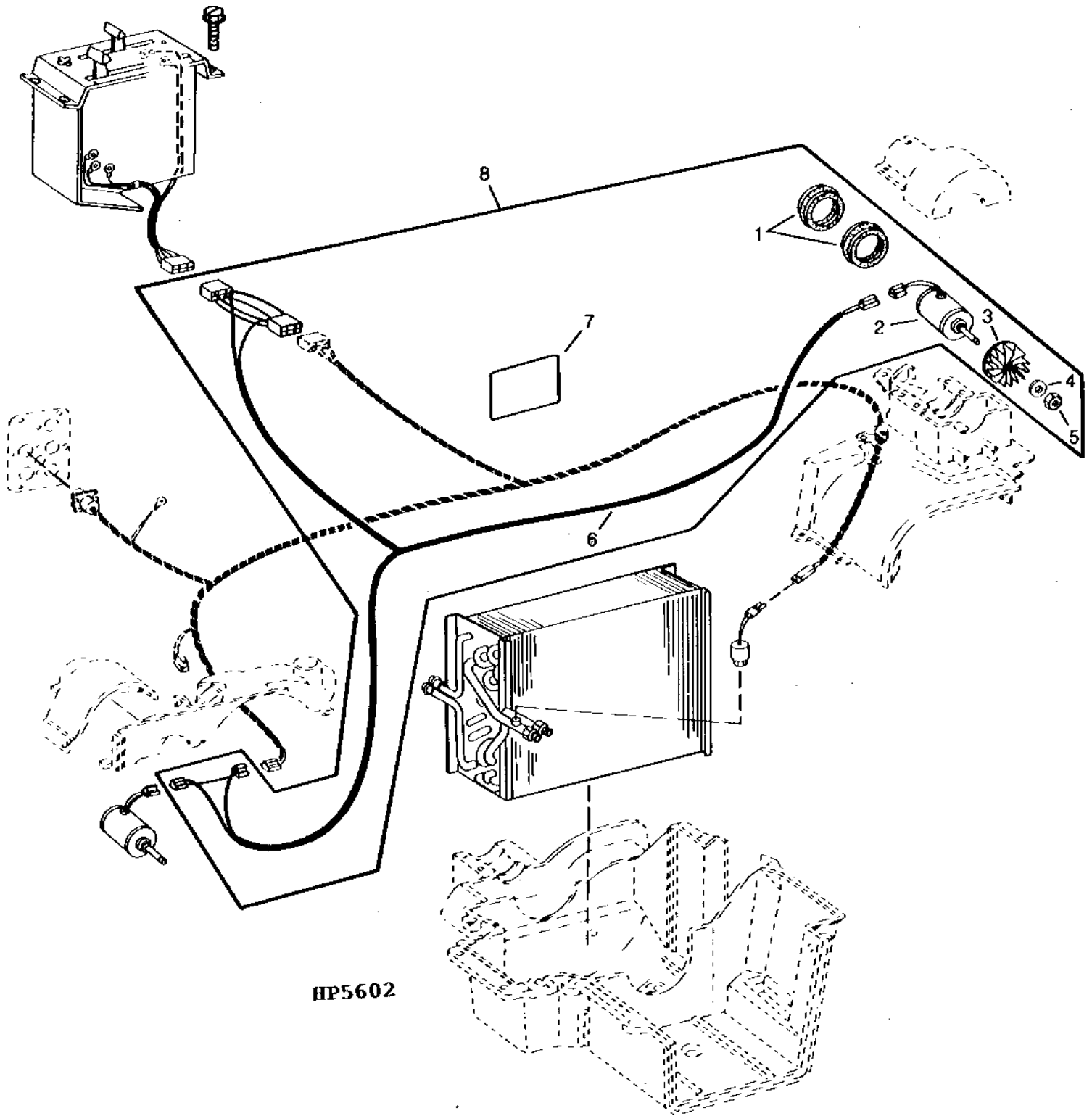
2D15

ELECTRICAL

AIR CONDITIONER PRESSURIZER FAN KIT

(640101-650100)

HP5602 -UN-01JAN94



HP5602

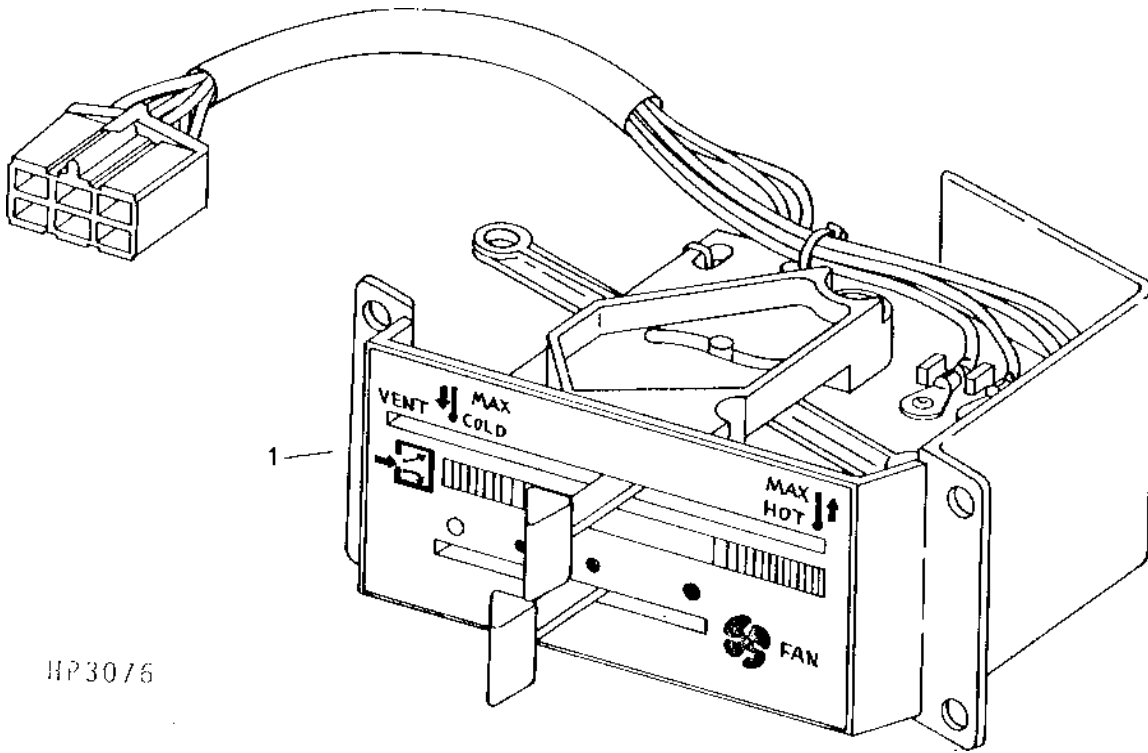
2D16

ELECTRICAL

AIR CONDITIONER PRESSURIZER FAN KIT - CONTINUED
(640101-650100)

KEY	PART NO.	PART NAME	QTY	SERIAL NO.	REMARKS
1	H115521	ISOLATOR	2		
2	AH128925	MOTOR	1		
3	H124185	FAN	1		
4	24M7117	WASHER	1		4.300 X 9 X 0.800 MM
5	14M7264	LOCK NUT	1		M4
6	AH144044	WIRING HARNESS	1		
7	H150119	LABEL	1		
8	AH144339	KIT	1		

AIR CONDITIONER AND HEATER SWITCH
 HP3076 -UN-01JAN94



HP3076

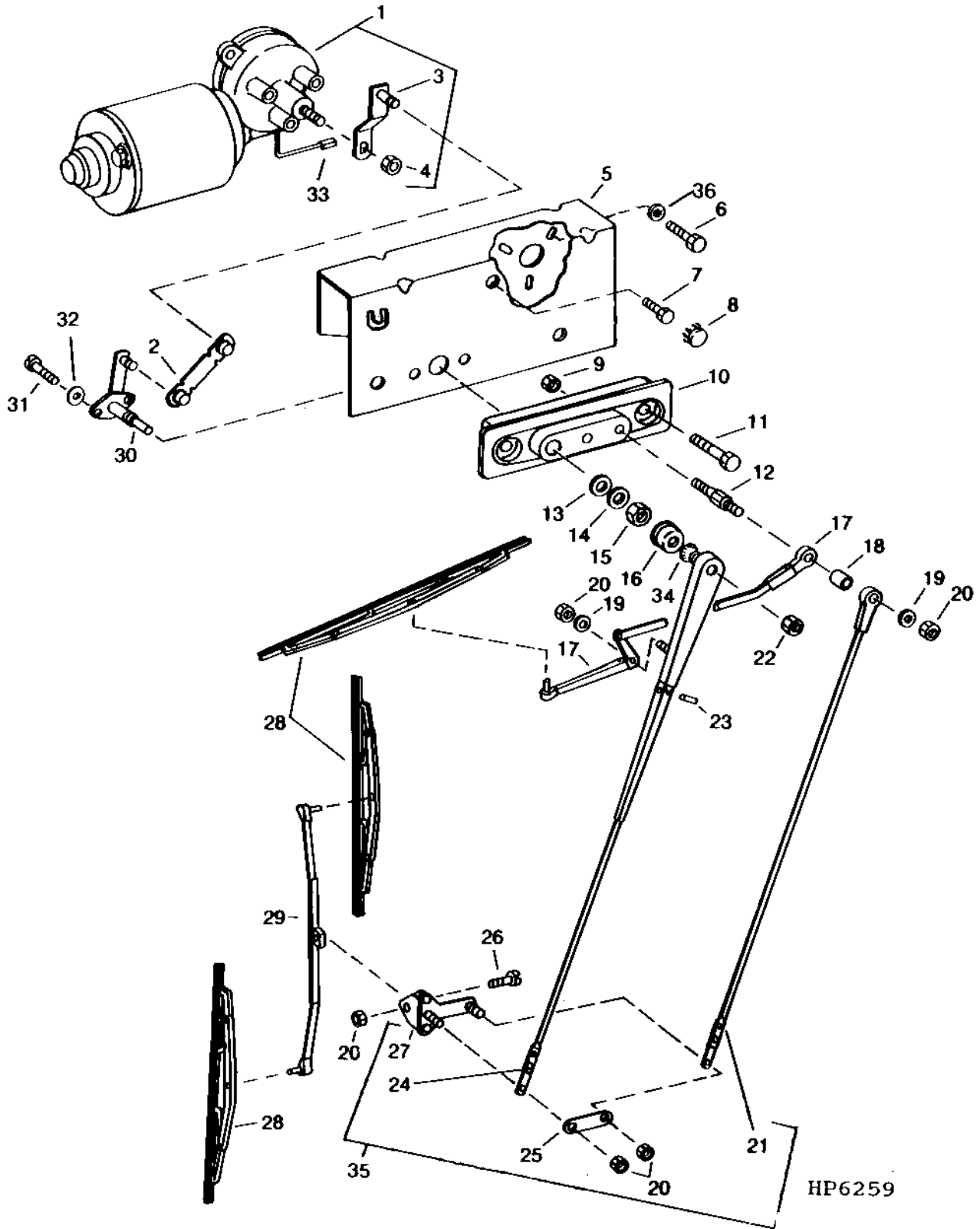
KEY	PART NO.	PART NAME	QTY	SERIAL NO. OR YEAR	REMARKS
1	AH144096	CONTROL	1	(SUB FOR AH118796 OR AH140169)	

MEMORANDA

2D18

ELECTRICAL

WINDSHIELD WIPER (OPT. LONG)
HP6259 -UN-09JAN96



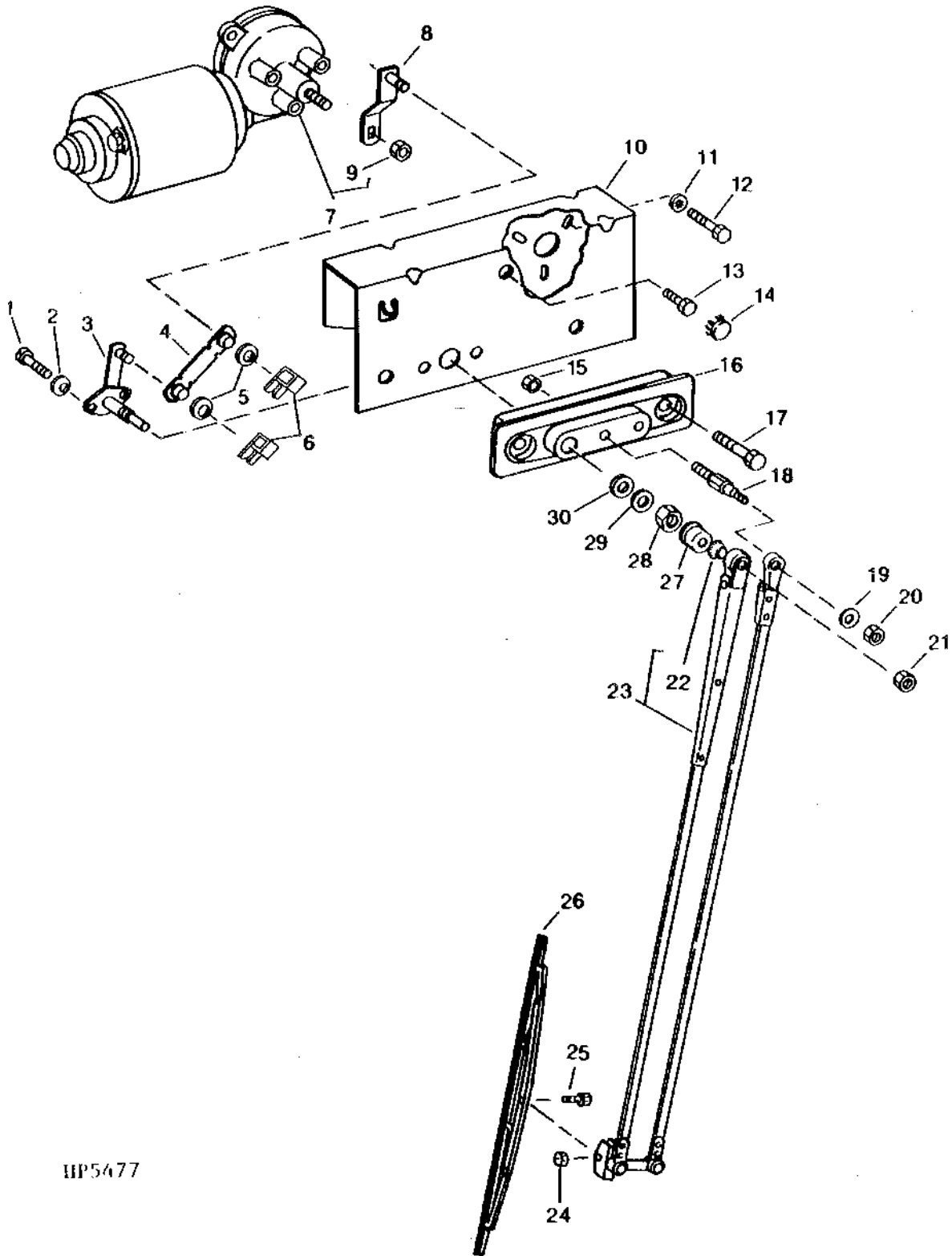
WINDSHIELD WIPER (OPT. LONG) - CONTINUED

KEY	PART NO.	PART NAME	QTY	SERIAL NO.	REMARKS
1	AH149835	MOTOR	1		
2	AH123902	LINK	1		(SUB FOR AH123900)
3	AH149834	CRANK	1		(SUB FOR AH123901)
4	E64256	LOCK NUT	AR		
5	AH154278	BRACKET	1		(SUB FOR H128819)
6	19M7774	SCREW	3		M6 X 12
7	19M7865	SCREW	AR		M8 X 16
8	R34337	PLUG	1		
9	14M7303	FLANGE NUT	AR		M6
10	H128820	SUPPORT	1		
11	19M8317	SCREW	2		M8 X 40
12	H128821	STUD	1		
13	R63666	WASHER	1		18.288 X 28.448 X 1.524 MM (0.720" X 1.120" X 0.060")
14	R63667	WASHER	1		18.263 X 28.575 X 1.575 MM (23/32" X 1-1/8" X 1/16")
15	R63668	NUT	AR		17.475 MM (11/16")
16	R63669	CAP	1		
17	AH123908	WIPER ARM	1		
18	H128841	SPACER	1		
19	T32255	SHIM	AR		
20	T531T	LOCK NUT	AR		
21	AH123907	ARM	1		
22	F3220R	LOCK NUT	AR		
23	PIN	1		FOR SHIPPING ONLY
24	AH123905	ARM	1		
25	H128823	STRAP	1		
26	H128859	SCREW	AR		
27	AH123910	BRACKET	1		
28	AH123909	WIPER BLADE	3		
29	AH123911	WIPER ARM	1		
30	AH149833	SHAFT	1		(SUB FOR AH123903)
31	21M7265	SCREW	2		
32	12H295	LOCK WASHER	1		
33	R78053	PIN CONTACT CONNECTOR BODY	1		(PKG. OF 3)
	R78058	PIN CONTACT	1		(PKG. OF 40)
	R78063	TERMINAL NIPPLE	1		(PKG. OF 40)
34	R63670	WELD NUT	1		(INCLUDED IN AH123904)
35	AH123904	WIPER ARM	1		
36	12H356	LOCK WASHER	3		6.350 MM (1/4")
..	BH71948	COMPLETE GOODS/SHIP. BUNDLE	1		WINDSHIELD WIPER

2D20

ELECTRICAL

WINDSHIELD WIPER (SHORT)
HP5477 -UN-01JAN94



HP5477

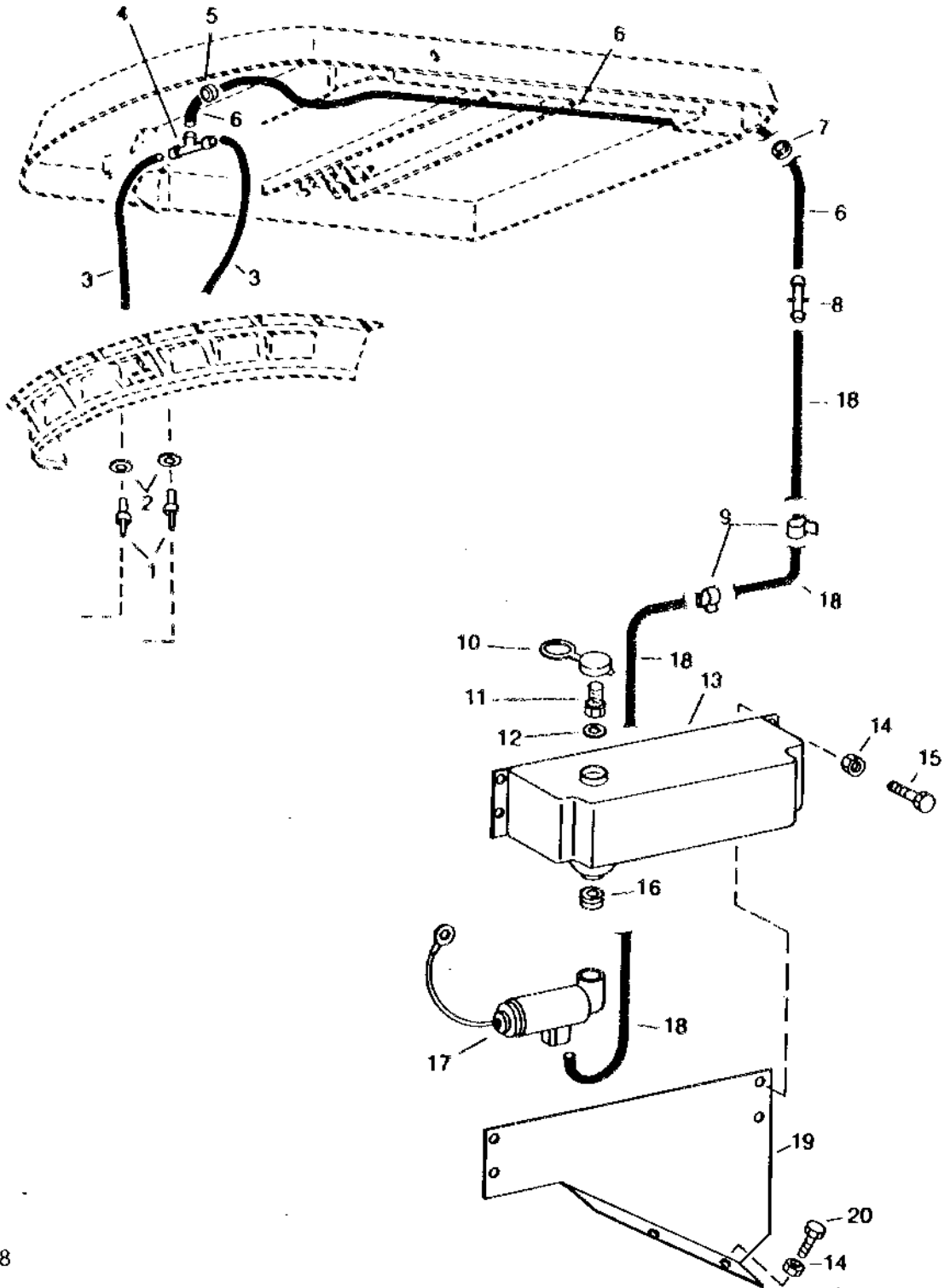
WINDSHIELD WIPER (SHORT) - CONTINUED

KEY	PART NO.	PART NAME	QTY	SERIAL NO.	REMARKS
1	21M7265	SCREW	2		M5 X 12
2	12H295	LOCK WASHER	2		0.190"
3	AH123931	SHAFT	1		(INCLUDES U46507)
	U46507	PIN	1		
4	AU43853	LINK	1		
5	T32255	SHIM	2		
6	U46506	CLIP	2		
7	AH130421	MOTOR	1		(SUB AT66481)
	AT66481	WIPER MOTOR	1		(SUB FOR AH143417)
8	AT141987	ARM	1		(SUB FOR AH123934 OR AH143445)
9	AU43857	LOCK NUT	1	-655208	6.350 MM (1/4") FOR USE WITH AH130421
	N10213	LOCK NUT	1	655209-	7.925 MM (5/16") FOR USE WITH AT66481
10	AH154278	BRACKET	1		(SUB FOR H128819)
11	12H356	LOCK WASHER	3		1/4"
12	19H3138	CAP SCREW	3		1/4" X 5/8"
13	19M7865	SCREW	1		M8 X 16
14	R34337	PLUG	1		
15	14M7303	FLANGE NUT	1		M6
16	H128820	SUPPORT	1		
17	19M8317	SCREW	2		M8 X 40
18	H128822	STUD	1		
19	T32255	SHIM	1		
20	T531T	LOCK NUT	1		
21	F3220R	LOCK NUT	1		
22	R63670	WELD NUT	1		(INCLUDED IN AH123932 AND AH142336)
23	AH144503	WIPER ARM	1		(SUB FOR AH123932 OR AH142336)
24	T35440	LOCK NUT	1		
25	H134367	SCREW	1		
26	AH123933	WIPER BLADE	1		
27	R63669	CAP	1		
28	R63668	NUT	1		
29	R63667	WASHER	1		
30	R63666	WASHER	1		

2D22

ELECTRICAL

WINDSHIELD WASHER
HP3768 -UN-01JAN94



HP3768

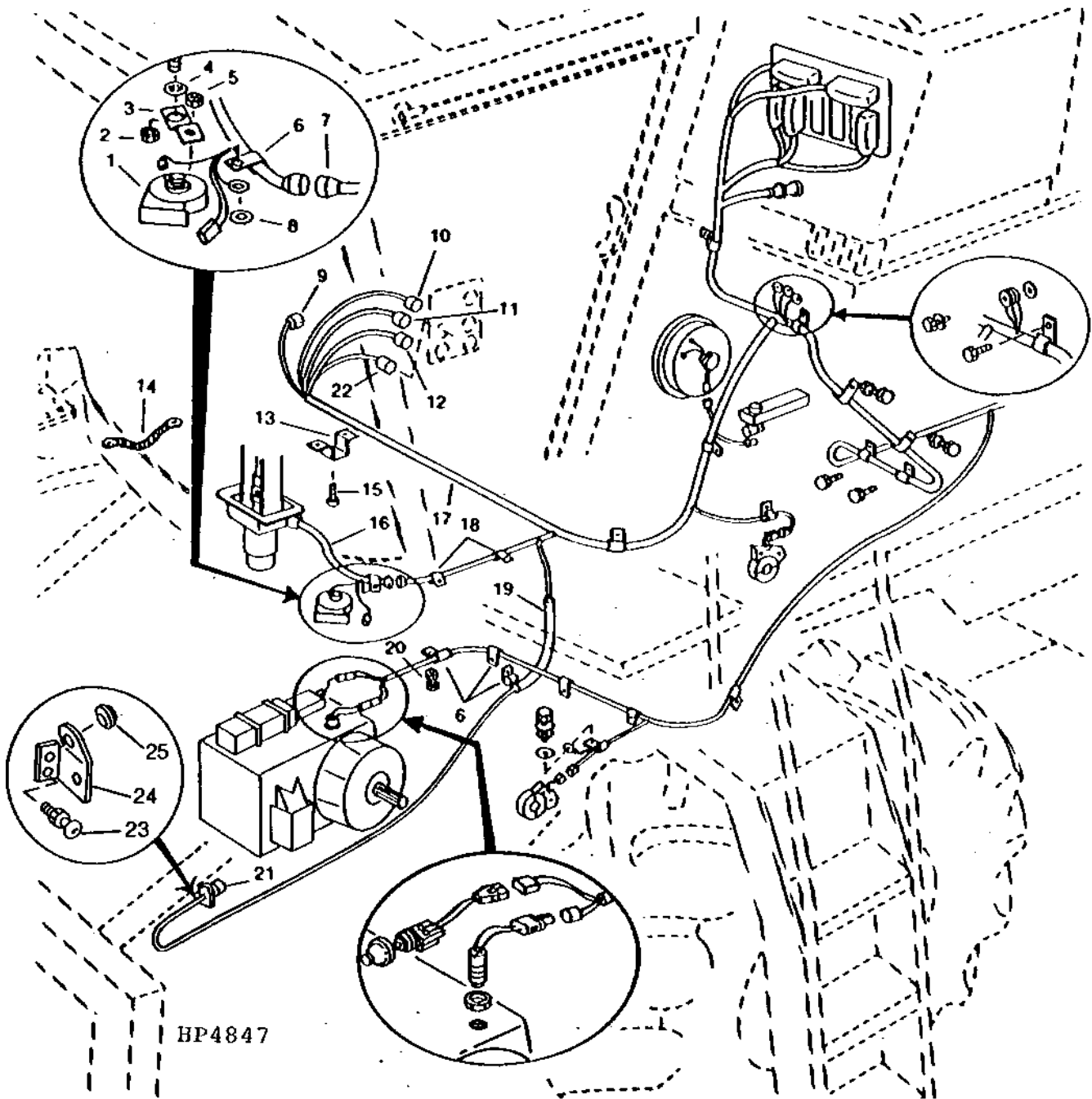
WINDSHIELD WASHER - CONTINUED

KEY	PART NO.	PART NAME	QTY	SERIAL NO.	REMARKS
1	AR79548	NOZZLE	2		
2	H145221	GROMMET	2		(SUB FOR L1880N)
3	R54447	HOSE	2		CUT TO LENGTH AS NEEDED.
4	R64061	TEE FITTING	1		
5	M68701	GROMMET	1		
6	R104595	BULK HOSE	1		(SUB FOR H132527 OR R54445)
7	H987R	GROMMET	1		
8	H132597	FITTING	1		
9	H76064	CLIP	2		
10	R64060	CAP	1		
11	AR79550	FILTER	1		
12	R64059	WASHER	1		16.256 X 26.162 X 2.286 MM
13	R64056	RESERVOIR	1		
14	14M7303	FLANGE NUT	4		M6
15	19M7775	SCREW	4		M6 X 16
16	R64058	GROMMET	1		
17	AR79549	PUMP	1		
18	R104595	BULK HOSE	1		(SUB FOR R54445) CUT TO LENGTH AS NEEDED
19	H131595	BRACKET	1		
20	19M7774	SCREW	2		M6 X 12
..	BH78370	COMPLETE GOODS/SHIP. BUNDLE	1		WINDSHIELD WASHER

2D24

ELECTRICAL

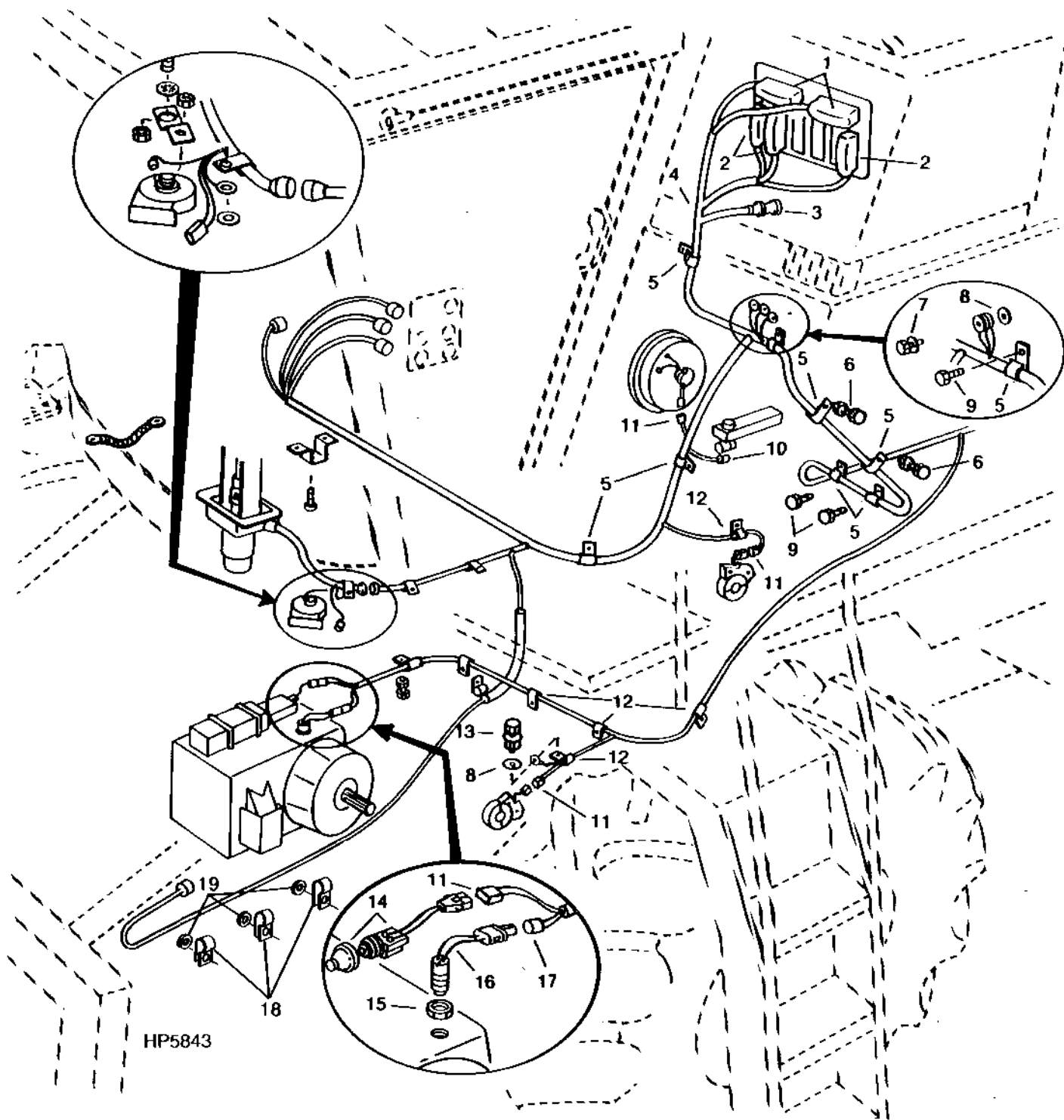
L.H. MAIN WIRING HARNESS, L.H. FRONT
HP4847 -UN-01JAN94



L.H. MAIN WIRING HARNESS, L.H. FRONT - CONTINUED

KEY	PART NO.	PART NAME	QTY	SERIAL NO.	REMARKS
1	AT39043	HIGH NOTE HORN	1		
2	14M7303	FLANGE NUT	1		M6
3	H125930	BRACKET	1		
4	PT2314	WASHER	1		
5	R11278	NUT	1	-670195	22.225 MM (7/8")
	14M7303	FLANGE NUT	1	670196-	M6
6	AH89557	CLIP	8	-640100	
7	H118426	CONNECTOR	1		24 HOLES, FEMALE
	AE44930	CONNECTOR	1		
	R77465	SOCKET CONTACT	AR		
8	24M7139	WASHER	1		STEERING
9	AE44931	CONNECTOR	1		
	AH135787	ELECTRICAL PLUG	1		
	H140664	CONNECTOR	1		16 PIN CONNECTOR (MALE) TO R-H MAIN
10	R77463	SOCKET CONTACT	AR		TO CAB MAIN
	R77465	SOCKET CONTACT	AR		TO CAB MAIN
11	R77457	ELECTRICAL PLUG	1		37 HOLES, (FEMALE) TO ARMREST
	AE44930	CONNECTOR	1		
	R77463	SOCKET CONTACT	AR		
12	AE44930	CONNECTOR	1		16 HOLE CONNECTOR (FEMALE) TO CAB MAIN.
	R77465	SOCKET CONTACT	AR		
	AH135787	ELECTRICAL PLUG	1		
	H141325	CONNECTOR	1		
13	H131574	RETAINER	1		
14	AH125010	GROUND CABLE	1		
15	19M7865	SCREW	2		M8 X 16, TRANSMISSION SPEED
16	AH134296	WIRING HARNESS	1		(SUB FOR AH128401 OR AH134225)
17	AH134229	WIRING HARNESS	1	640101-645100	(ORDER RE12363) (SUB FOR AH128406 OR AH134224)
	AH152443	WIRING HARNESS	1	29SEP7-	(SUB FOR AH134278, AH134295, AH143900 AND AH145022) W/O GREENSTAR
	AH151770	WIRING HARNESS	1	29SEP7-	W/ GREENSTAR
18	AH96317	CLIP	2		
19	H132800	HOSE	1		SLEAVE FOR PROTECTION
20	03M7221	BOLT	1		M6 X 16
	14M7303	FLANGE NUT	1		M6
21	AH135787	ELECTRICAL PLUG	1		16 PIN CONNECTOR, AMP NO. 20637-3 SIZE NO. 17 CLAMP
	H141325	CONNECTOR	1		16 PIN CONNECTOR
22	H130510	ELECTRICAL PLUG	1		TO AIR CONDITIONING HARNESS
23	03M7183	BOLT	1		M8 X 16
	14M7298	FLANGE NUT	1		M8
24	H134417	BRACKET	1		
25	H146306	PLUG	1		(SUB FOR H130520)

L.H. MAIN WIRING HARNESS, L.H. FRONT
HP5843 -UN-15OCT94



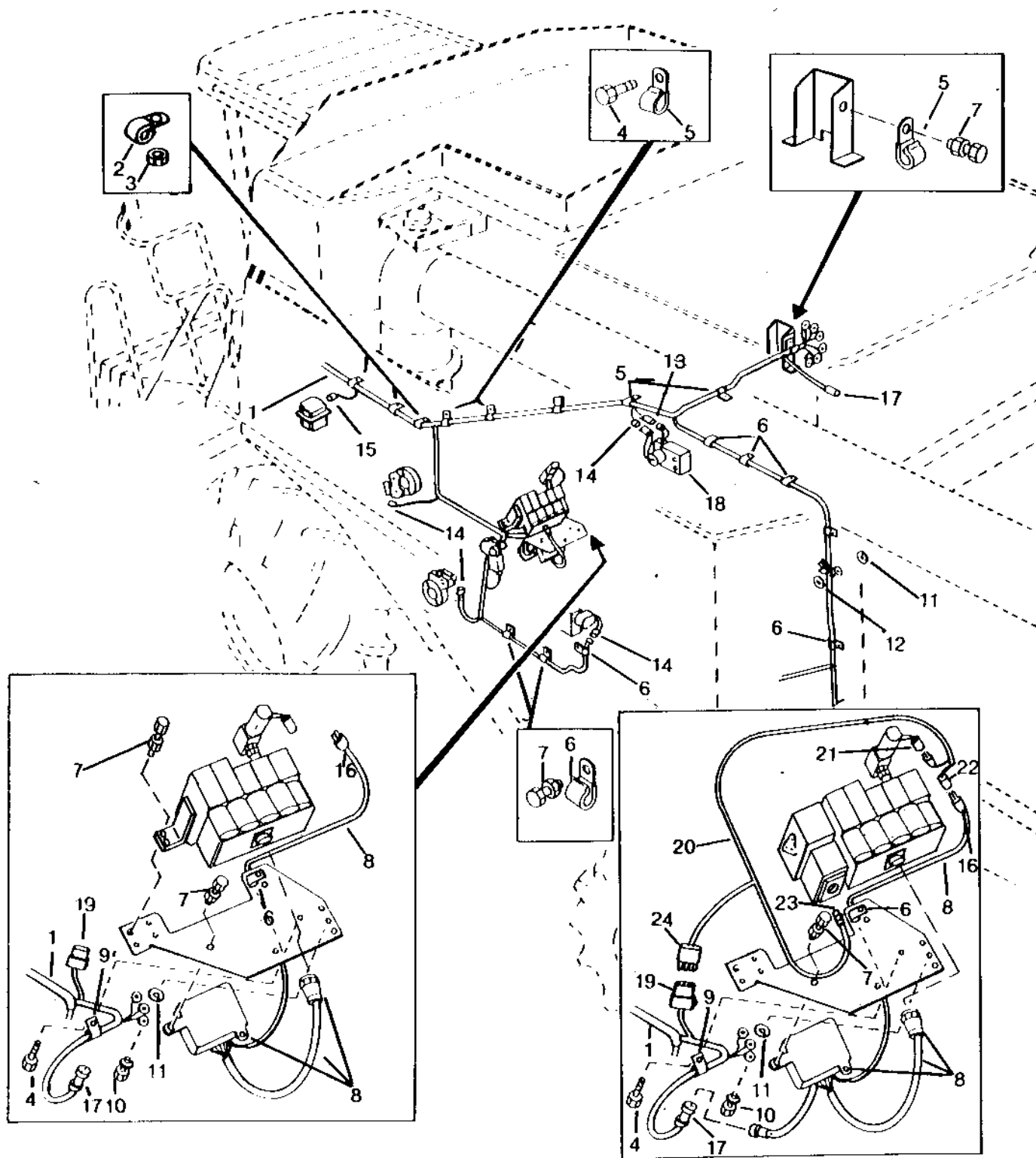
L.H. MAIN WIRING HARNESS, L.H. FRONT - CONTINUED

KEY	PART NO.	PART NAME	QTY	SERIAL NO.	REMARKS
1	H132513	CONNECTOR	1		22 HOLES, FEMALE - FOR CEM
	H141127	BOOT	2		FOR CEM
	R76477	TIE BAND	2		FOR CEM, (SUB FOR (2) H141406) (SUB FOR M86436)
	SOCKET CONTACT	AR		FOR CEM - SIZE 12 - 8 USED
	R78065	SOCKET CONTACT	AR		FOR CEM - SIZE 16 - 12 USED
	SOCKET CONTACT	AR		FOR CEM - SIZE 4 - 1 USED
	AH136356	SCREW AND WASHER KIT	1		REPAIRS TWO CONNECTORS (BOTH HALVES)
2	H141127	BOOT	3		FOR CEM
	R76477	TIE BAND	3		FOR CEM, (SUB FOR (3) H141406) (SUB FOR M86436)
	R77463	SOCKET CONTACT	3		FOR CEM
	R77465	SOCKET CONTACT	AR		FOR CEM
3	H118427	CONNECTOR	1		22 HOLES, MIXED
	R77463	SOCKET CONTACT	AR		
	R77465	SOCKET CONTACT	AR		
4	AH134229	WIRING HARNESS	1	640101-645100	(ORDER RE12363) (SUB FOR AH128406 OR AH134224) LH MAIN HARNESS
	AH152443	WIRING HARNESS	1	-29SEP7	(SUB FOR AH134278, AH134295, AH143900 AND AH145022) W/O GREENSTAR
	AH151770	WIRING HARNESS	1	29SEP7-	W/ GREENSTAR
5	AH117301	CLAMP	8		
6	19M7865	SCREW	2		M8 X 16
	14M7298	FLANGE NUT	2		M8
7	37M7083	SCREW	1		M8 X 12
	24M7055	WASHER	1		8.400 X 16 X 1.600 MM
8	12M7032	LOCK WASHER	2		8.400 MM
9	37M7083	SCREW	3		M8 X 12
10	M43835	FLAT CONNECTOR	1		
	U46662	TERMINAL	AR		
11	RE12363	CONNECTOR	1		PKG OF 3
	R78048	TERMINAL NIPPLE	1		PKG OF 40
	R78060	SOCKET CONTACT	1		PKG OF 40
12	AH89557	CLIP	5		
13	37M7059	SCREW	1		M5 X 12
	24M7055	WASHER	1		8.400 X 16 X 1.600 MM
	14M7298	FLANGE NUT	1		M8
14	AH140605	SWITCH	1		(SUB FOR AH123025)
15	H104418	NUT	1		
16	AH116104	SENSOR	1		TRANSMISSION SPEED
17	R78053	PIN CONTACT CONNECTOR BODY	1		PKG OF 3
	R78063	TERMINAL NIPPLE	1		PKG OF 5
18	AH96317	CLIP	3		(SUB FOR AH89486)
19	12M7032	LOCK WASHER	3	660101-	8.400 MM (0.331")

2E3

ELECTRICAL

L.H. MAIN WIRING HARNESS, L.H. CENTER
HP5953 -UN-27APR95

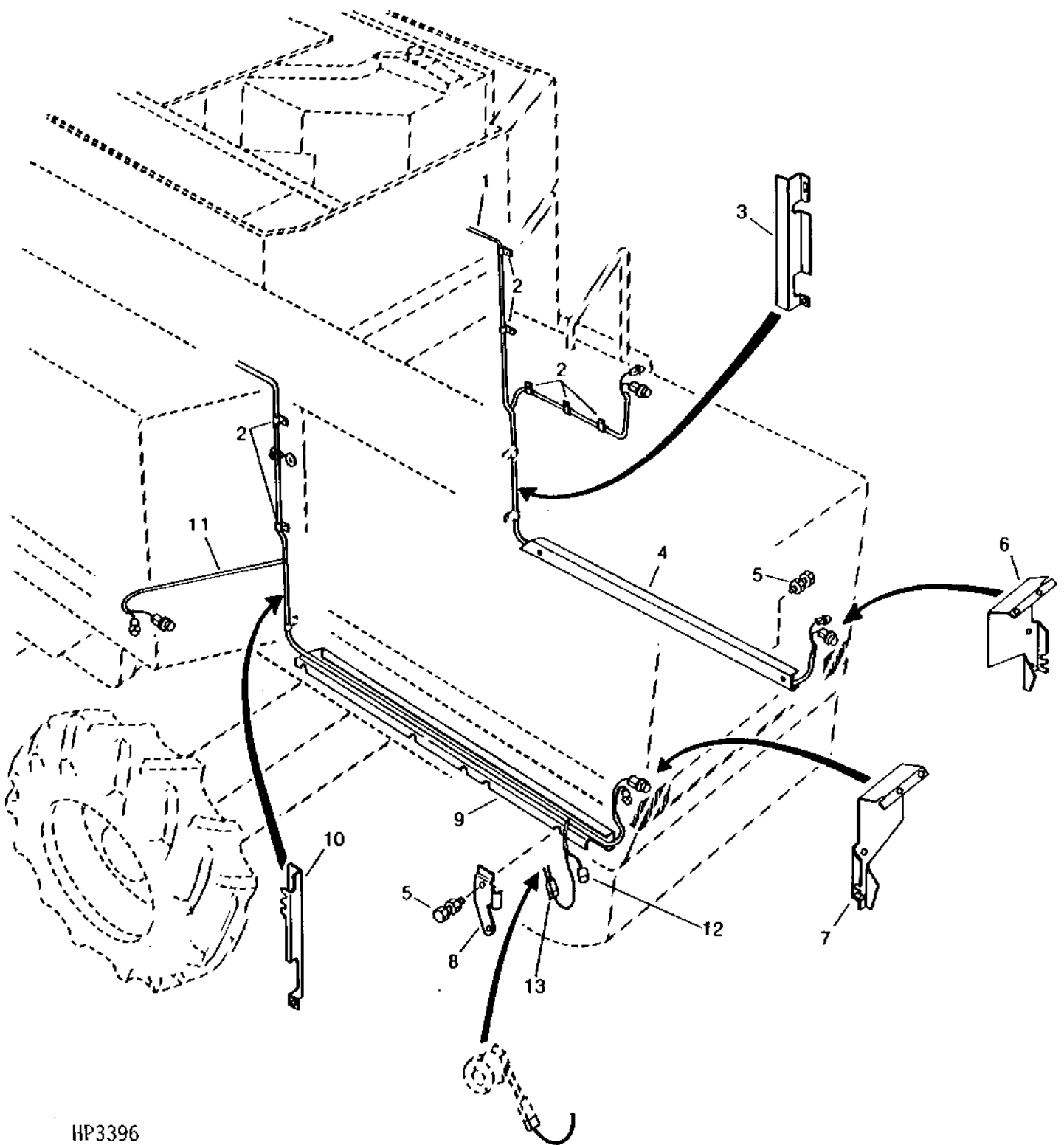


HP5953

L.H. MAIN WIRING HARNESS, L.H. CENTER - CONTINUED

KEY	PART NO.	PART NAME	QTY	SERIAL NO.	REMARKS
1	AH134229	WIRING HARNESS	1	640101-645100	(ORDER RE12363) (SUB FOR AH128406 OR AH134224) L.H. MAIN
	AH152443	WIRING HARNESS	1	29SEP7-	(SUB FOR AH134278, AH134295, AH143900 AND AH145022) W/O GREENSTAR
	AH151770	WIRING HARNESS	1	29SEP7-	W/ GREENSTAR
2	AH130222	CLAMP	3		
3	14M7299	FLANGE NUT	3		M12
4	37M7083	SCREW	3		M8 X 12
5	AH90990	CLIP	5		
6	AH89557	CLIP	9		
7	19M7865	SCREW	5		M8 X 16
	14M7298	FLANGE NUT	5		M8
8	AH129045	MODULE	1		(LOGIC) INCLUDES CONNECTOR AND RETAINER
	H118426	CONNECTOR	1		29 PIN
	R77458	CONNECTOR	1		
	H129212	CIRCUIT BOX	1		
9	AH96317	CLIP	1		(SUB FOR AH89486)
10	37M7083	SCREW	1		M8 X 12
	24M7055	WASHER	1		8.400 X 16 X 1.600 MM
11	12M7032	LOCK WASHER	2		8.400 MM
12	24M7055	WASHER	1		8.400 X 16 X 1.600 MM
13	R78053	PIN CONTACT CONNECTOR BODY	1		MALE, (PKG OF 3)
	R78063	TERMINAL NIPPLE	1		(PKG OF 40)
14	RE12363	CONNECTOR	1		(PKG OF 3) - TO FAN SPEED CONTROL MOTOR
	R78048	TERMINAL NIPPLE	1		(PKG OF 5)
15	AE44392	CONNECTOR	1		4 HOLES, FEMALE - TO REEL SPEED CONTROL MOTOR
	R77465	SOCKET CONTACT	1		
16	RE12363	CONNECTOR	1		(PKG OF 3)
	R78048	TERMINAL NIPPLE	1		(PKG OF 5)
	R78060	SOCKET CONTACT	1		(PKG OF 40)
17	AH135787	ELECTRICAL PLUG	1		
	H141325	CONNECTOR	1		
18	AH128929	SWITCH	1		PRESSURE
19	R78055	PIN CONTACT CONNECTOR BODY	1	660246-	
	R78058	PIN CONTACT	1	660246-	
	R78061	PIN CONTACT	AR	660246-	
	R78063	TERMINAL NIPPLE	1	660246-	
	R78059	ELECTRICAL PLUG	3	660246-	
20	AH145056	WIRING HARNESS	1	660246-	(USE WITH CONTOUR MASTER ONLY)
21	RE12363	CONNECTOR	1	660246-	(PKG OF 3) 2-PIN
	R78048	TERMINAL NIPPLE	1	660246-	(PKG OF 5)
	R78060	SOCKET CONTACT	AR	660246-	(PKG OF 40) (16 GA. WIRE)
	R78063	TERMINAL NIPPLE	AR	660246-	(PKG OF 40)
22	RE12364	SOCKET CONT.CONNECTOR BODY	1	660246-	(PKG OF 3) 2-PIN
	R78049	SEAL	1	660246-	(PKG OF 5)
	R78060	SOCKET CONTACT	2	660246-	(PKG OF 40)
	R78063	TERMINAL NIPPLE	2	660246-	(PKG OF 40)
23	AE44392	CONNECTOR	1	660246-	TO TILT VALVE (4-PIN)
24	RE12365	CONNECTOR	1	660246-	(PKG OF 2) 4-PIN
	R78050	SEAL	1	660246-	(PKG OF 5)
	R78060	SOCKET CONTACT	AR	660246-	(PKG OF 40)
	R78063	TERMINAL NIPPLE	2	660246-	(PKG OF 40)

L.H. AND R.H. MAIN WIRING HARNESS, L.H. AND R.H. REAR
HP3396 -UN-01JAN94



HP3396

2E6

ELECTRICAL

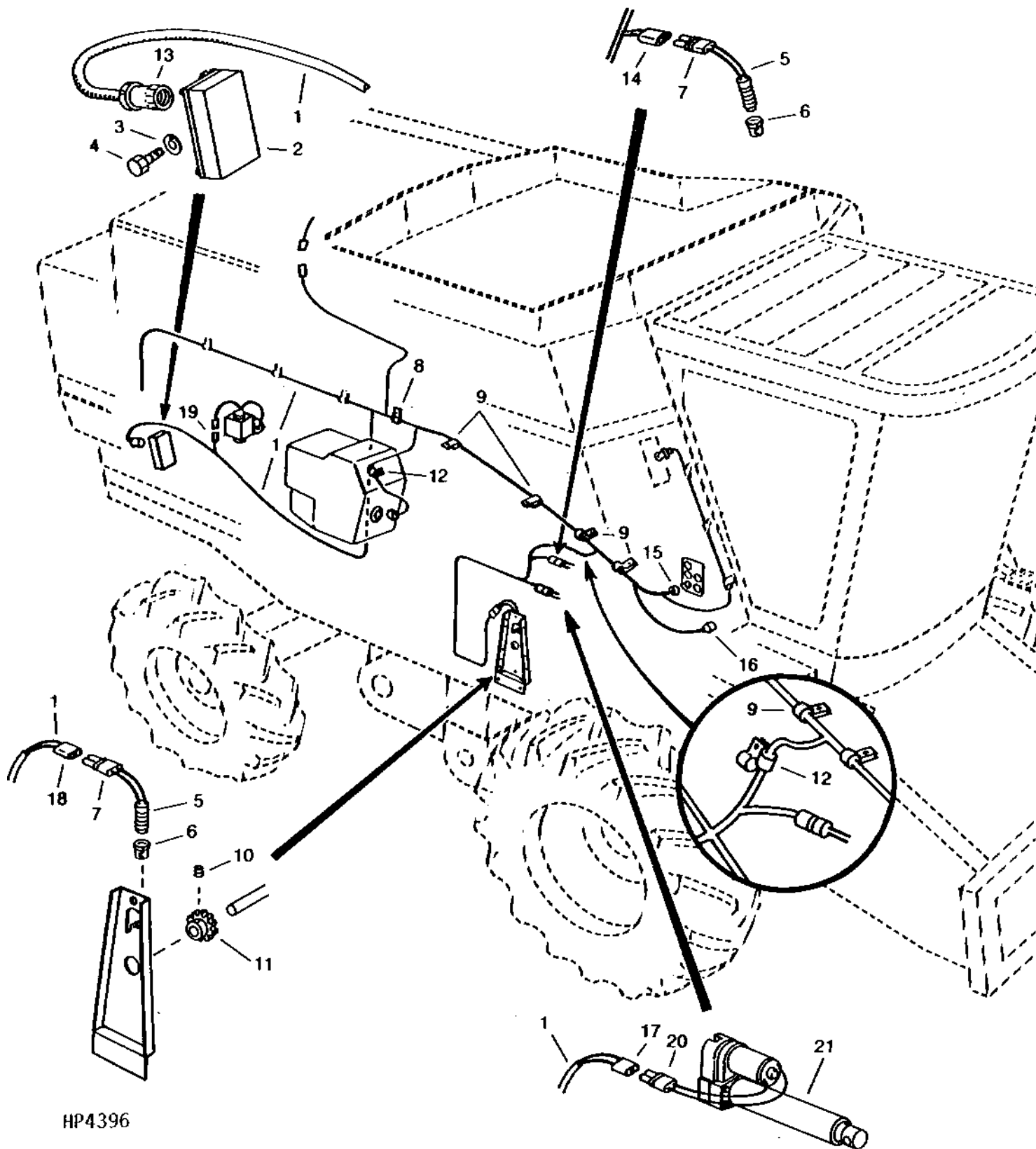
L.H. AND R.H. MAIN WIRING HARNESS, L.H. AND R.H. REAR - CONTINUED

KEY	PART NO.	PART NAME	QTY	SERIAL NO.	REMARKS
1	AH128418	WIRING HARNESS	1	-640100	R.H. MAIN
	AH134231	WIRING HARNESS	1	-29SEP7	W/O GREENSTAR
	AH151772	WIRING HARNESS	1	29SEP7-	R.H. MAIN W/ GREENSTAR
2	AH89557	CLIP	7		
3	H137731	SHIELD	1		R.H.
4	H131017	SHIELD	1		R.H.
	H131018	SHIELD	1		R.H.
5	19M7867	SCREW	8		M8 X 25
	14M7298	FLANGE NUT	8		
6	H134171	SHIELD	1		R.H.
7	H134172	SHIELD	1		L.H.
8	H134831	RETAINER	1	-635185	
	AH89557	CLIP	1	635186-	
	37M7092	SCREW	1	635186-640100	M8 X 16
	37M7058	SCREW	1	640101-	
9	H137304	SHIELD	1		
10	H137732	SHIELD	1	-640100	L.H.
	H143462	SHIELD	1	640101-	
11	AH134229	WIRING HARNESS	1	640101-640684	(SUB FOR AH128406 OR AH134224) LH MAIN HARNESS, ALSO REQS. ONE RE12363
	AH152443	WIRING HARNESS	1	29SEP7-	(SUB FOR AH134278, AH134295, AH143900 AND AH145022) W/O GREENSTAR
	AH151770	WIRING HARNESS	1	29SEP7-	L.H. MAIN W/ GREENSTAR
12	R78053	PIN CONTACT CONNECTOR BODY	1		(PKG OF 3)
	R78063	TERMINAL NIPPLE	1		(PKG OF 40)
13	RE12363	CONNECTOR	1		(PKG OF 3)
	R78048	TERMINAL NIPPLE	1		(PKG OF 5)
..	AH140120	KIT	1		

2E7

ELECTRICAL

R.H. MAIN WIRING HARNESS
HP4396 -UN-01JAN94



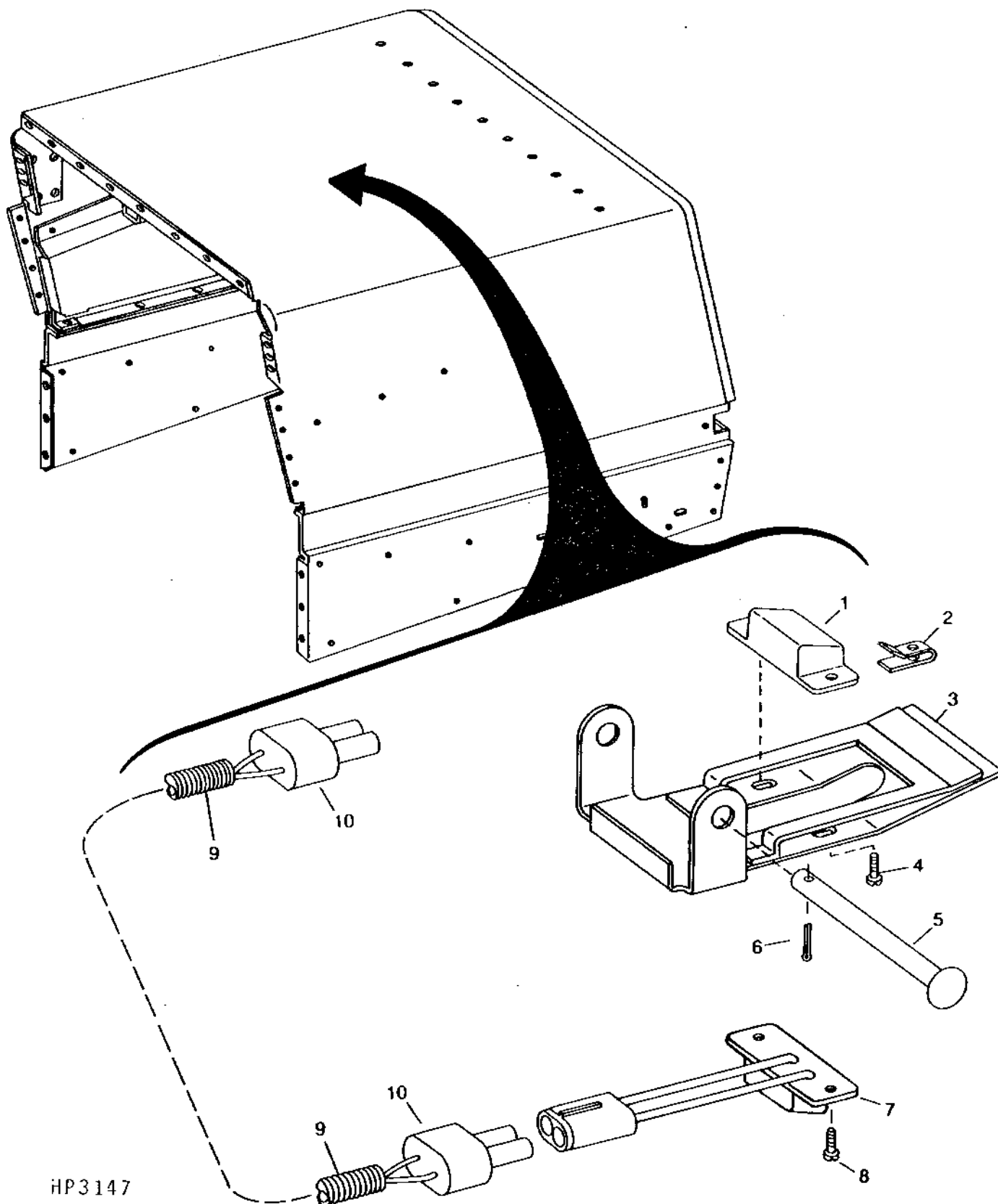
HP4396

R.H. MAIN WIRING HARNESS - CONTINUED

KEY	PART NO.	PART NAME	QTY	SERIAL NO.	REMARKS
1	AH128418	WIRING HARNESS	1	-640100	
	AH134231	WIRING HARNESS	1	-29SEP7	(USE WITH H141411) W/O GREENSTAR
	AH151772	WIRING HARNESS	1	29SEP7-	W/ GREENSTAR
2	AH125744	RELAY MODULE	1		HARVESTRAK
3	12H310	LOCK WASHER	1		3/8"
4	37M7058	SCREW	1		M8 X 20
5	AH116104	SENSOR	2		LOW SHAFT SPEED
6	H160880	CLIP	2		(SUB FOR H121110)
7	RE12363	CONNECTOR	1		(PKG OF 3)
	R78048	TERMINAL NIPPLE	1		(PKG OF 5)
	R78060	SOCKET CONTACT	2		(PKG OF 40)
8	AH90990	CLIP	1		
9	H117952	CLAMP	6		
10	22M7027	SET SCREW	1		M6 X 16
11	H122372	WHEEL	1		
12	AH89557	CLIP	2		
13	AE44392	CONNECTOR	1		4 HOLES, FEMALE (INTO PRE-AMP MODULE)
	R77463	SOCKET CONTACT	AR		
14	R78053	PIN CONTACT CONNECTOR BODY	1		(PKG OF 3)
	R78063	TERMINAL NIPPLE	2		(PKG OF 40)
	R78058	PIN CONTACT	2		(PKG OF 40)
	R78059	ELECTRICAL PLUG	1		(PKG OF 40)
15	R77457	ELECTRICAL PLUG	1		37 HOLES, FEMALE (TO CAB MAIN)
16	R77465	SOCKET CONTACT	AR		FOR 16 HOLE CONNECTOR (TO L-H MAIN)
17	R78053	PIN CONTACT CONNECTOR BODY	1		(PKG OF 3) (TO CONCAVE ACTUATOR)
	R78063	TERMINAL NIPPLE	2		(PKG OF 40)
	R78061	PIN CONTACT	2		(PKG OF 40)
18	R78053	PIN CONTACT CONNECTOR BODY	1		(PKG OF 3)
	R78063	TERMINAL NIPPLE	1		(PKG OF 40)
	R78058	PIN CONTACT	2		(PKG OF 40)
	R78059	ELECTRICAL PLUG	2		(PKG OF 40)
19	T28583	RECEPTACLE CONNECTOR BODY	1		INTO FUEL PUMP
	U46662	TERMINAL	1		
20	RE12363	CONNECTOR	1		(PKG OF 3)
	R78048	TERMINAL NIPPLE	2		(PKG OF 5)
	R78060	SOCKET CONTACT	2		(PKG OF 40)
21	AH134728	ACTUATOR	1		

STRAW WALKER (PLUGGING) SENSING SWITCH

HP3147 -UN-01JAN94



HP3147

2E10

ELECTRICAL

STRAW WALKER (PLUGGING) SENSING SWITCH - CONTINUED

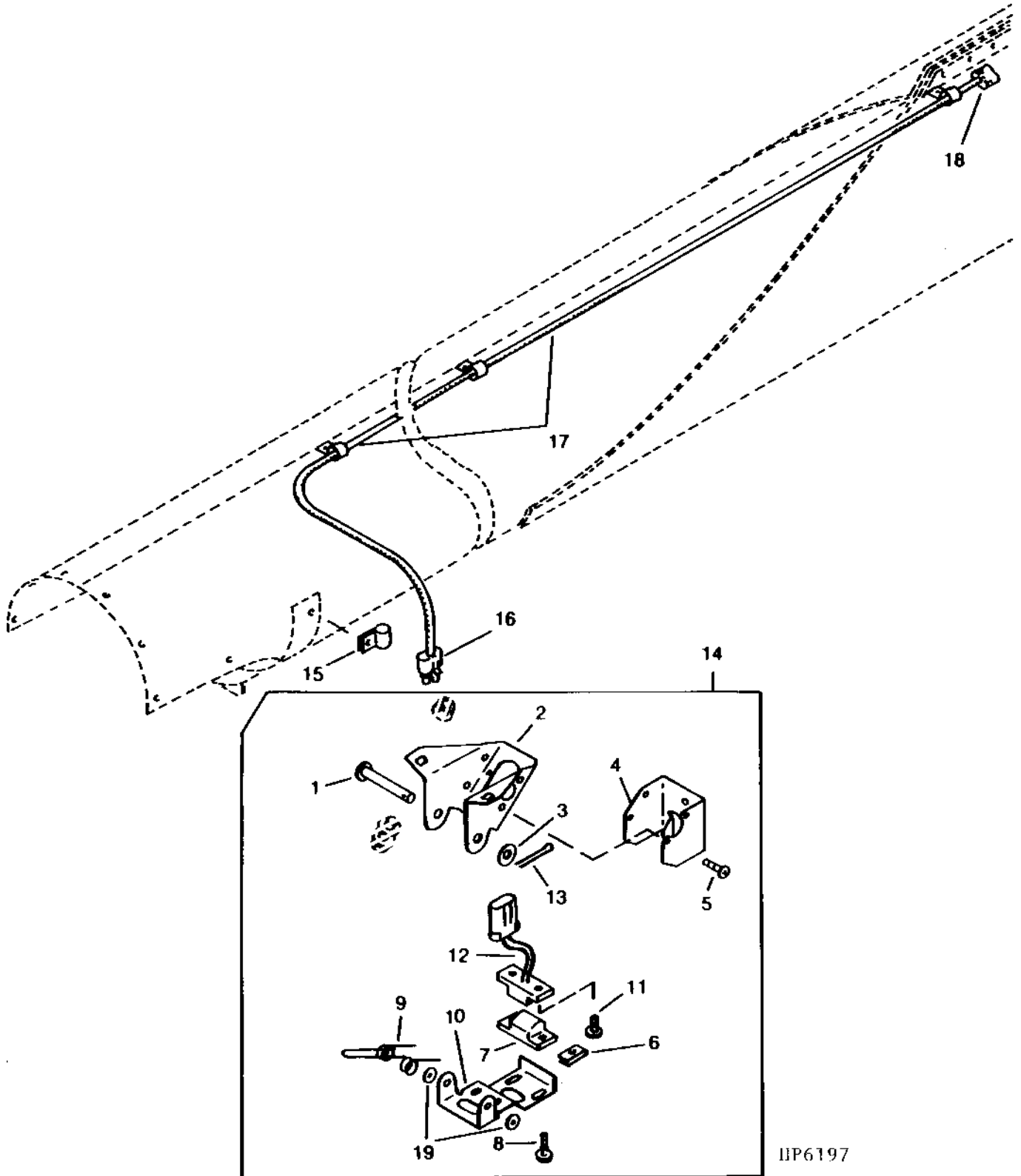
KEY	PART NO.	PART NAME	QTY	SERIAL NO.	REMARKS
1	AH130603	ACTUATOR	1		
2	H140628	NUT	2		(SUB FOR H129940)
3	AH134524	ARM	1		
4	37M7072	SCREW	2		
5	45M7035	PIN	1		10 X 90 MM
6	11M7012	COTTER PIN	1		3.200 X 16 MM
7	AH130602	REED SWITCH	1		
8	37M7100	SCREW	2	-640100	
	37M7215	SCREW	2	640101-	
9	AH125036	WIRING HARNESS	1		
10	RE12363	CONNECTOR	1		(PKG OF 3)
	R78048	TERMINAL NIPPLE	1		(PKG OF 5)
	R78063	TERMINAL NIPPLE	1		(PKG OF 40)
	R78060	SOCKET CONTACT	1		(PKG OF 40)

2E11

ELECTRICAL

UNLOADING AUGER SENSOR AND WIRING HARNESS

(660101-)
HP6197 -UN-05OCT95



UNLOADING AUGER SENSOR AND WIRING HARNESS - CONTINUED
(660201-)

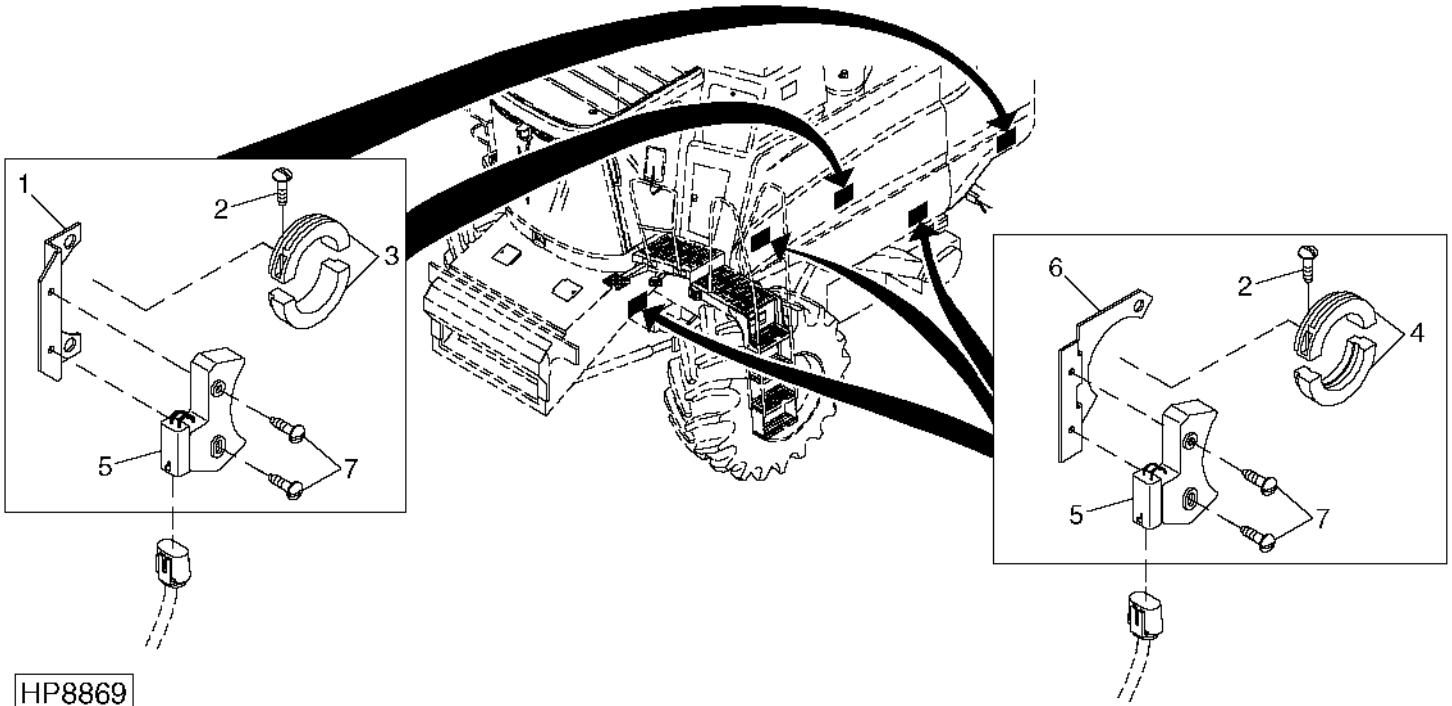
KEY	PART NO.	PART NAME	QTY	SERIAL NO.	REMARKS
1	W38051	PIN	1		
2	BRACKET	1		(SUB AH145769) SENSOR
3	24M7028	WASHER	1		10.500 X 20 X 2 MM (0.413" X 0.787" X 0.079")
4	COVER	1		(SUB AH145769) SENSOR BRACKET
5	37M7079	SCREW	4		M6 X 12, SELF-TAPPING
6	H140628	NUT	2		SPEED
7	AH150473	ACTUATOR	1		(SUB FOR AH130603)
8	37M7071	SCREW	2		SELF-TAPPING
9	H149788	TORSION SPRING	1		
10	BRACKET	1		(SUB AH145769)
11	37M7215	SCREW	2		
12	AH130602	REED SWITCH	1		
13	11M7012	COTTER PIN	1		3.200 X 16 MM (0.126" X 0.630")
14	AH145769	SENSOR	1		UNLOADING AUGER
15	AH89557	CLIP	3		ONE USED WITH SOLID AUGER HOUSING, 3 USED WITH PERFORATED AUGER HOUSING.
16	RE12363	CONNECTOR	1		(PKG. OF 3)
	R78048	TERMINAL NIPPLE	1		
	R78059	ELECTRICAL PLUG	2		(PKG. OF 40)
17	AH143761	WIRING HARNESS	1		
18	R78053	PIN CONTACT CONNECTOR BODY	1		(PKG OF 3)
	R78058	PIN CONTACT	2		(PKG OF 40)
	R78059	ELECTRICAL PLUG	2		(PKG. OF 40)
19	24M7028	WASHER	3		10.500 X 20 X 2 MM (0.413" X 0.787" X 0.079") AS REQUIRED BETWEEN BRACKETS

2E13

ELECTRICAL

LOW SHAFT SPEED SENSORS AND BRACKETS

HP8869 -UN-28JUL99

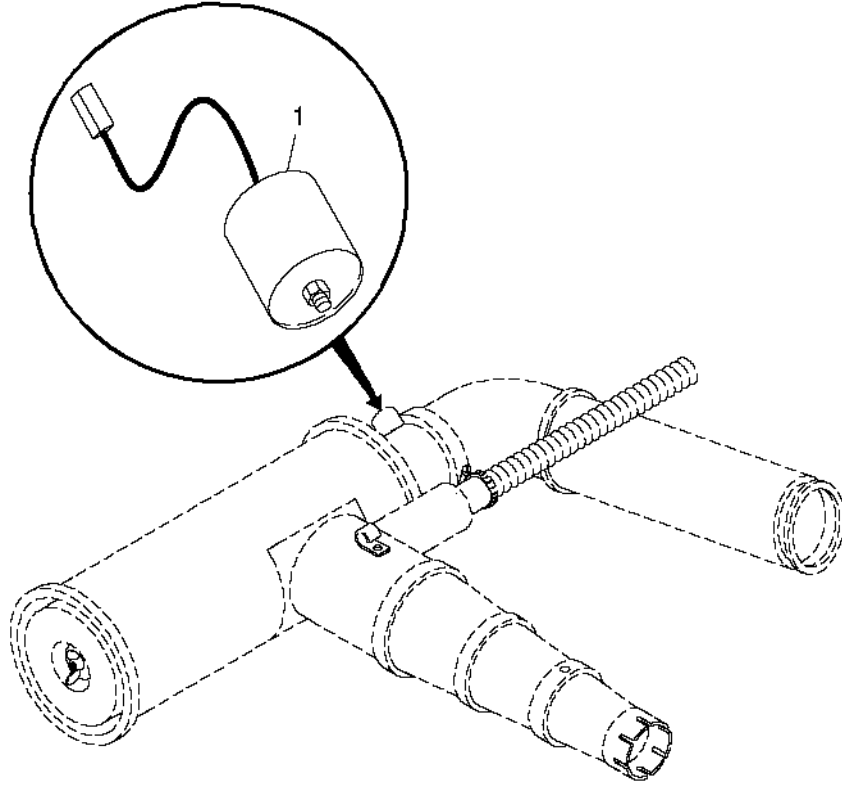


KEY	PART NO.	PART NAME	QTY	SERIAL NO.	REMARKS
1	H148270	BRACKET	2	(SUB FOR AH100012)	
2	H168924	SCREW	AR		
	37M7077	SCREW	10		
3	AH161839	MAGNET	1	(SUB FOR H104793 OR H104794) LARGE	
4	AH161838	MAGNET	1	(SUB FOR H104795 OR H104796) LARGE MAGNETIC	
5	AH131320	SWITCH	5		
6	H148271	BRACKET	3	(ORDER (2) 37M7077) (SUB FOR AH100013)	
7	37M7077	SCREW	10	4.8 X 32 MM (.1890" X 1.2598")	

2E14

ELECTRICAL

ENGINE PLUGGED AIR FILTER WARNING SWITCH HP9338 -UN-19NOV99



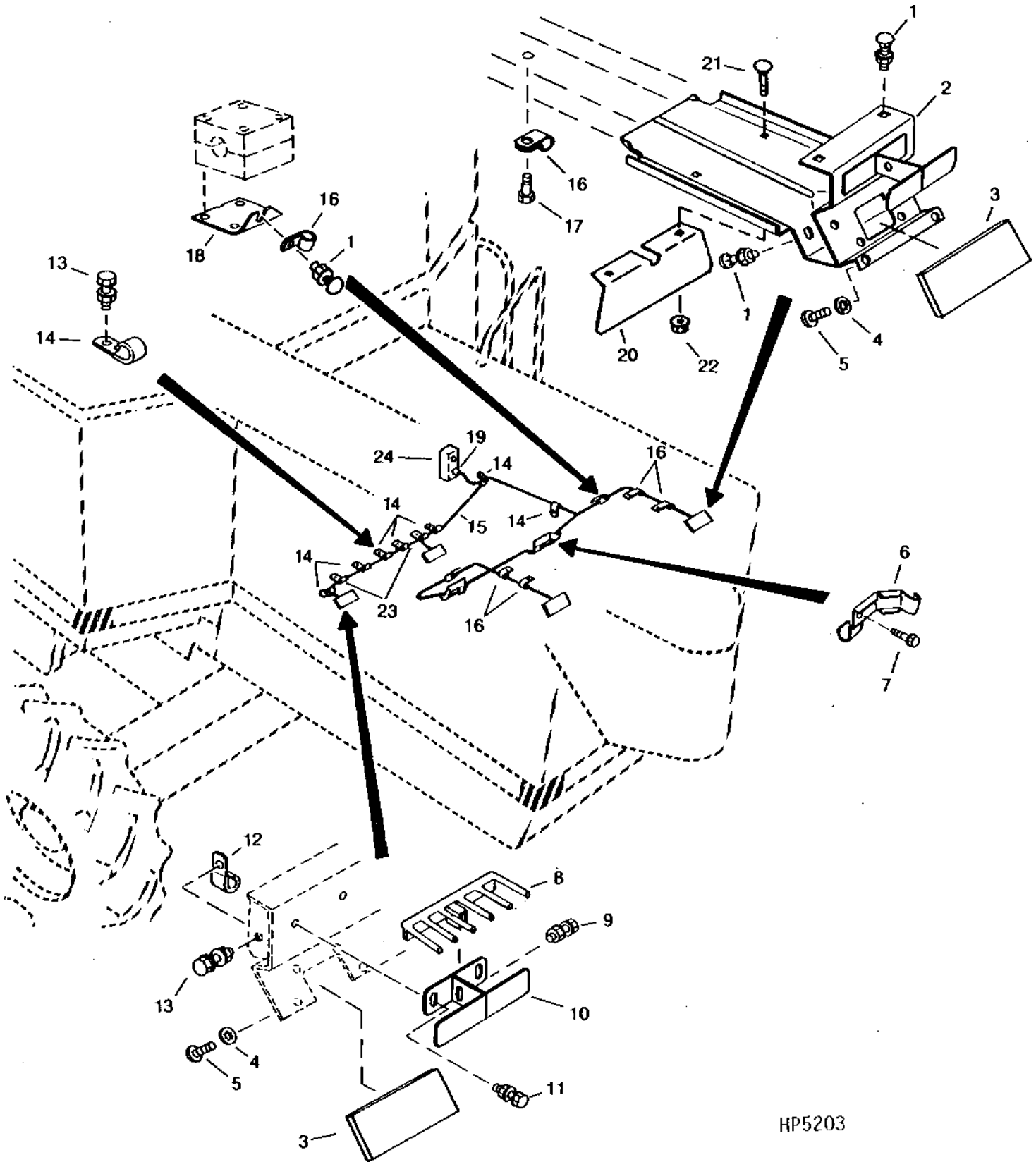
HP9338

KEY	PART NO.	PART NAME	QTY	SERIAL NO.	REMARKS
1	AH113292	SWITCH	1		

2E15

ELECTRICAL

HARVESTRAK MONITOR SYSTEM AND WIRING HARNESS
HP5203 -UN-01JAN94



HP5203

2E16

ELECTRICAL

HARVESTRAK MONITOR SYSTEM AND WIRING HARNESS - CONTINUED

KEY	PART NO.	PART NAME	QTY	SERIAL NO.	REMARKS
1	03M7183	BOLT	10		M8 X 16
	14M7298	FLANGE NUT	10		M8
2	AH141038	SUPPORT	2		(SUB FOR AH126555 OR AH135047)
3	AH126272	SENSOR	4		
4	12H295	LOCK WASHER	16		0.190", (INTERNAL TOOTH)
5	21H1427	SCREW	16		0.190" X 1/2"
6	H132812	RETAINER	1		RIGHT-HAND
	H132813	RETAINER	1		LEFT-HAND
7	37M7083	SCREW	2		M8 X 12, (SELF-TAPPING)
8	H114411	FINGER	2		
9	19M7863	SCREW	2	-640684	M6 X 25
	19M7862	SCREW	2	640685-	M6 X 20
	14M7303	FLANGE NUT	2		M6
10	AH125672	DEFLECTOR	2		
11	19M7162	CAP SCREW	4	-645409	M8 X 16
	19M7865	SCREW	4	645410-	M8 X 16
	14M7298	FLANGE NUT	4		M8
12	T74410	CLAMP	2		
13	19M7865	SCREW	8		M8 X 16
	14M7298	FLANGE NUT	8		M8
14	AH89557	CLIP	6		
15	AH134254	WIRING HARNESS	1		(SUB FOR AH128423)
	R78063	TERMINAL NIPPLE	8	650549-	
	57M7298	TERMINAL	8	650549-	
	57M7306	CONNECTOR	4	650549-	
	57M7309	RECEPTACLE CONNECTOR BODY	4	650549-	
16	AH77724	CLIP	4		
17	37M7089	SCREW	2		M6 X 12, (SELF-TAPPING)
18	H140074	PLATE	2		
19	H118422	ELECTRICAL PLUG	1		9 HOLES, FEMALE (TO PRE-AMP)
	R77465	SOCKET CONTACT	AR		
20	H140414	DEFLECTOR	2	635205-	
21	03M7184	BOLT	8	635205-	M8 X 20
22	14M7396	LOCK NUT	8	635205-	M8
23	AH77279	CLIP	2	-645340	
	AH89557	CLIP	2	645341-	
	19M7865	SCREW	2	645341-	M8 X 16
	14M7298	FLANGE NUT	2	645341-	M8
	24M7027	WASHER	2	645341-	5.300 X 10 X 1 MM
24	AH125744	RELAY MODULE	1		PRE AMP MODULE
..	AH143762	KIT	1	-650548	(SUB (8) R78063, (8) 57M7298, (4) 57M7306 AND (4) 57M7309)
..	BH71887	COMPLETE GOODS/SHIP. BUNDLE	1		HARVESTRAK MONITOR SYSTEM AND WIRING HARNESS

2E17

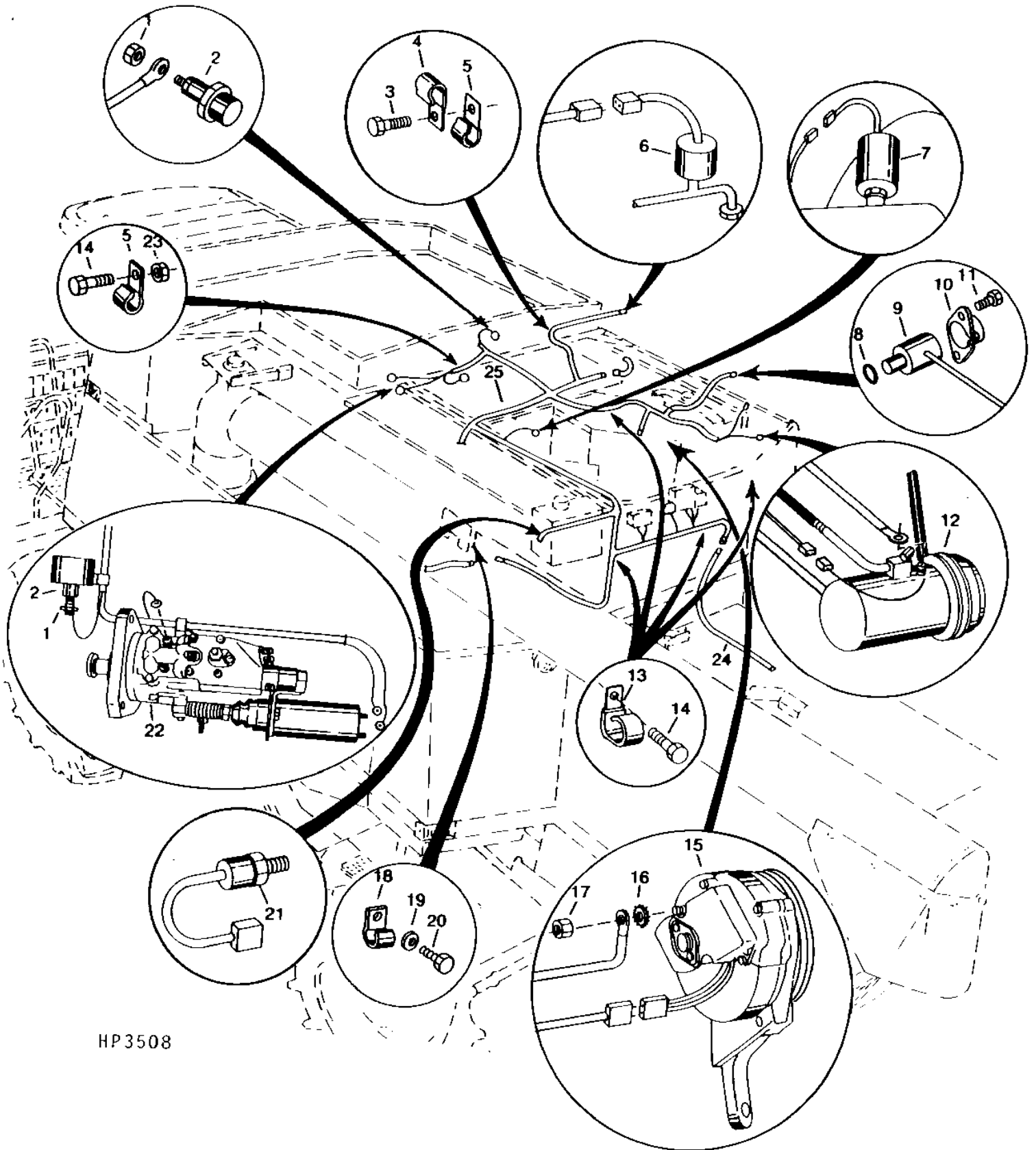
ELECTRICAL

HARNESS FOR 6359 AND 6068 ENGINES

(UPPER PARTS)

HP3508

-UN-01JAN94



HP3508

2E18

ELECTRICAL

**HARNES FOR 6359 AND 6068 ENGINES - CONTINUED
(UPPER PARTS)**

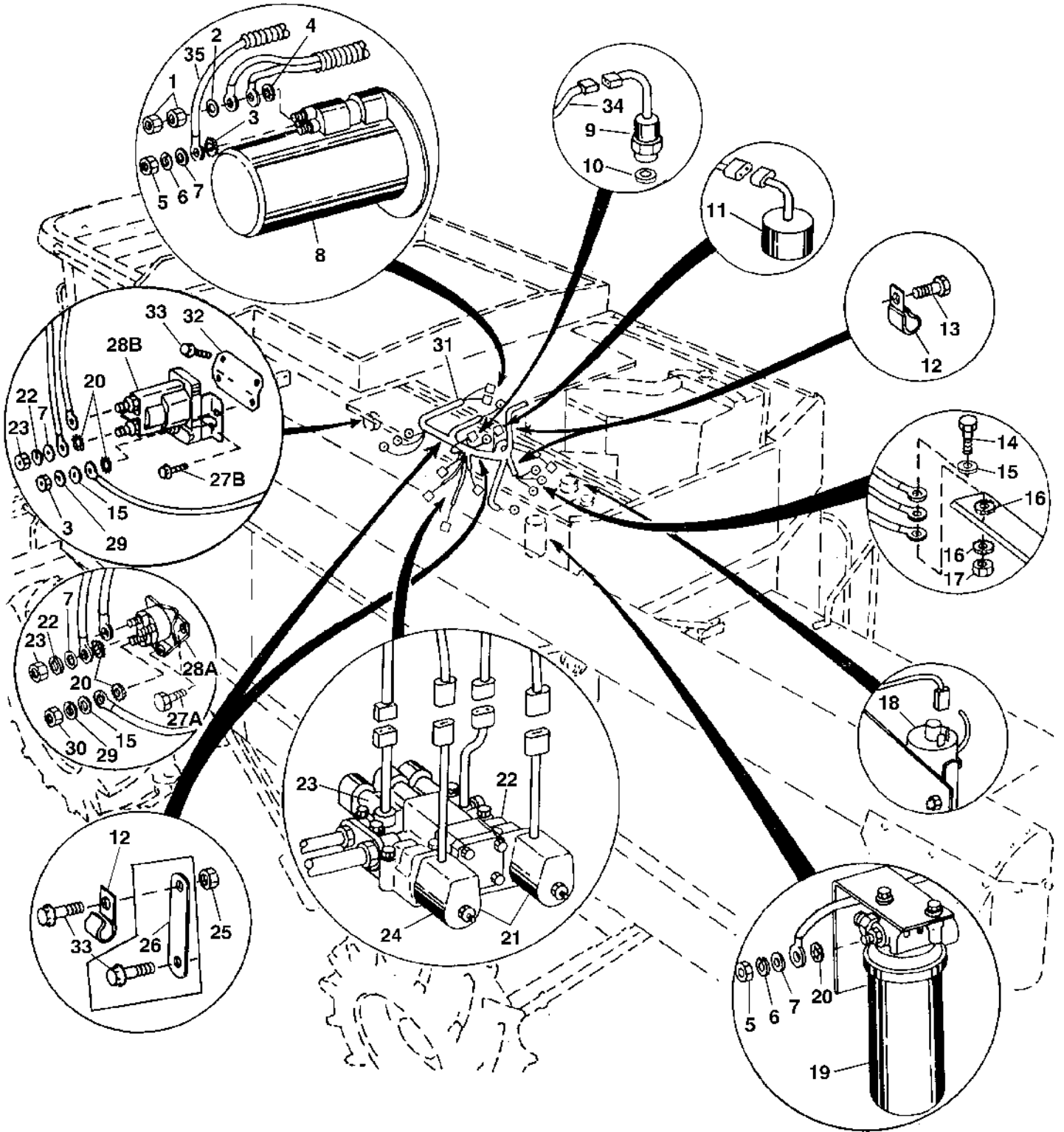
KEY	PART NO.	PART NAME	QTY	SERIAL NO.	REMARKS
1	14H631	NUT	1		0.190"
2	AT37368	SENDER	1	-665539	FOR ENGINE TEMP.
	AH151124	SENSOR	1	665540-	(USE WITH 51M7041) FOR ENGINE TEMP
3	19M7865	SCREW	1		M8 X 16
4	AH96317	CLIP	1		(SUB FOR AH89486)
5	AH89557	CLIP	1		
6	RE24307	HIGH PRESSURE SWITCH	1		A/C HIGH PRESSURE
7	AH148259	SWITCH	1		(SUB FOR AH113292) FOR AIR CLEANER (PLUGGED)
8	R79915	O-RING	1	-665539	
9	RE12180	SENSOR	1	-665539	ENGINE TACH SENSOR
10	R67230	COVER	1	665540-	
11	19H1948	CAP SCREW	2		1/4" X 3/4"
12	COMPRESSOR	1		(SEE OPERATOR'S STATION SECTION)
13	AH96317	CLIP	1		(SUB FOR AH89486)
	AH89557	CLIP	1		
14	19M7774	SCREW	1		M6 X 12
15	ALTERNATOR	1		(SUB FOR TY6653) (SEE ELECTRICAL SECTION)
16	12H297	LOCK WASHER	1		1/4"
17	14H786	NUT	1		1/4"
18	AH90990	CLIP	1		
19	14M7298	FLANGE NUT	1		M8
20	19M7865	SCREW	1		M8 X 16
21	AH116105	SWITCH	1		FOR HYD OIL TEMP
22	FUEL INJECTION PUMP	1		(SEE ENGINE SECTION)
23	14M7303	FLANGE NUT	1		M6
24	AH125036	WIRING HARNESS	1		FOR STRAW WALKER PLUGGING SWITCH
25	AH134258	WIRING HARNESS	1	-635573	(SUB FOR AH128407)
	AH144892	WIRING HARNESS	1	640101-	(SUB FOR AH134266 AND AH142593, USE WITH AH142597 FOR (640101-650100)
..	H116160	SEALANT	1		3 OZ. TUBE OF SEALANT

2E19

ELECTRICAL

HARNESS FOR 6359 AND 6068 ENGINES (LOWER PARTS)

HP7595 -UN-27JUL98



HP7595

**HARNESS FOR 6359 AND 6068 ENGINES - CONTINUED
(LOWER PARTS)**

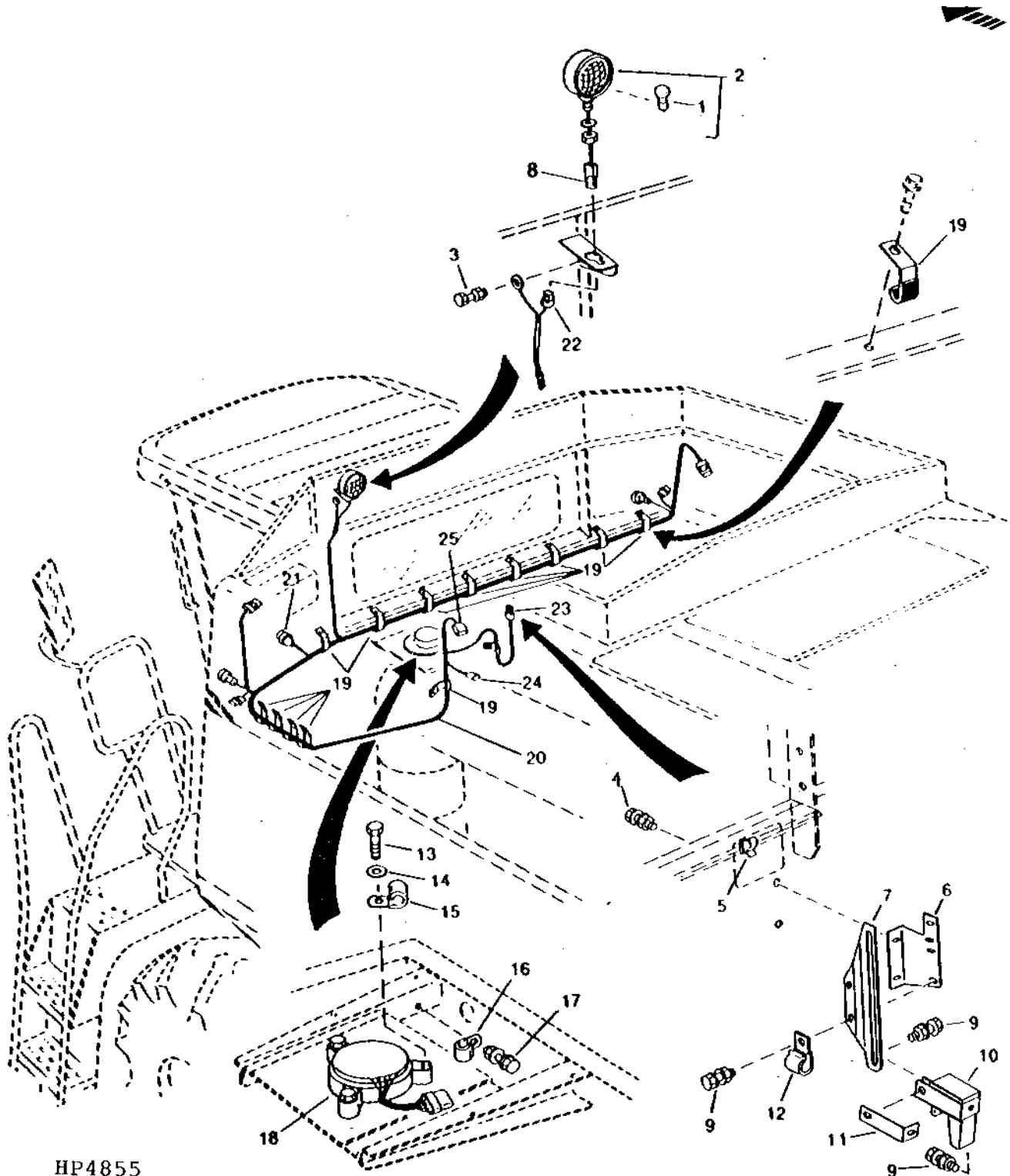
KEY	PART NO.	PART NAME	QTY	SERIAL NO.	REMARKS
1	14H732	NUT	2	-635797	3/8"
	14H826	NUT	2	635798-670219	1/2"
	14M7415	NUT	2	670220-	M12
2	24M7028	WASHER	1	-670219	10.500 X 20 X 2 MM
	24M7047	WASHER	1	670220-	13 X 24 X 2.500 MM
3	12M7112	LOCK WASHER	1	-660163	5.300 MM, (SUB 12M7060)
	12M7060	WASHER	1		5.300 MM (0.209")
4	12M7033	LOCK WASHER	1		10.500 MM
5	14H631	NUT	1		0.190"
6	12H246	LOCK WASHER	1		0.190"
7	24M7027	WASHER	1		5.300 X 10 X 1 MM
8	STARTER MOTOR	1		(SUB FOR RE23900)
9	AH121234	SWITCH	1	-640100	FOR ENGINE TEMP
	AH139059	TOUCH SWITCH	1	640101-665539	
	AH148278	SWITCH	1	665540-670312	
	AH158689	SWITCH	1	670313-	(SUB FOR AH155523)
10	R76337	WASHER	1	-640100	
	R76337	WASHER	1	665540-	(USE WITH AH148278)
11	AH133896	SWITCH	1		FOR ENGINE OIL PRESSURE
12	AH89486	CLIP	2	-660100	
	R44302	TIE BAND	4	660101-	
	H141406	TIE BAND	1	660101-665319	
	H77698	TIE BAND	1	665320-	
13	37M7083	SCREW	1	-660100	M8 X 12
14	19M7868	SCREW	1		M8 X 30
15	24M7055	WASHER	2		8.400 X 16 X 1.600 MM
16	12M7032	LOCK WASHER	1		8.400 MM
17	14M7298	FLANGE NUT	1		M8
18	RE48310	STARTING AID SOLENOID	1		(SUB FOR AT39623)
19	AH128448	HYDRAULIC FILTER	1		
20	12M7032	LOCK WASHER	2		8.400 MM (0.331")
21	AH128655	SOLENOID VALVE	2		
22	AH135744	SWITCH	1		(SUB FOR AH128927)
	R28782	O-RING	1	-635389	
	R26375	O-RING	1	635390-	
23	AH116105	SWITCH	1		GEARCASE TEMPERATURE SWITCH
	R26375	O-RING	1		
24	AH128785	SHUT-OFF VALVE	1		
25	14M7303	FLANGE NUT	1		M6
26	H24553	STRAP	2	-640816	
27A	19M7774	SCREW	2		M6 X 12
27B	37M7089	SCREW	2	635134-	M6 X 12
28A	AM53945	SOLENOID	1		
28B	AM105171	SOLENOID	1	635755-660218	
29	12H303	LOCK WASHER	2		5/16"
30	14H785	NUT	1		5/16"
31	AH134258	WIRING HARNESS	1	-640100	(SUB FOR AH128407)
	AH144892	WIRING HARNESS	1	640101-	(SUB FOR AH134266, AH142593) WITH AH142597 FOR (640101-650100)
32	H144291	PLATE	1	635134-660216	
33	19M7774	SCREW	3	635134-	M6 X 12
34	AH155820	WIRING LEAD	1	670313-8SEP97	USED WITH AH155523
	AH155821	WIRING LEAD	1	8SEP97-	USED WITH AH155523
35	AH155483	WIRING LEAD	1	5MAY98-	(SERVICE ONLY)
..	TY9374	SEALANT	1		
..	TY16285	PRIMER	1		(SUB FOR TY6305)

2E21

ELECTRICAL

GRAIN TANK WIRING HARNESS, LIGHT, LIMIT SWITCH AND LEVEL MONITOR

HP4855 -UN-01JAN94



HP4855

GRAIN TANK WIRING HARNESS, LIGHT, LIMIT SWITCH AND LEVEL MONITOR - CONTINUED

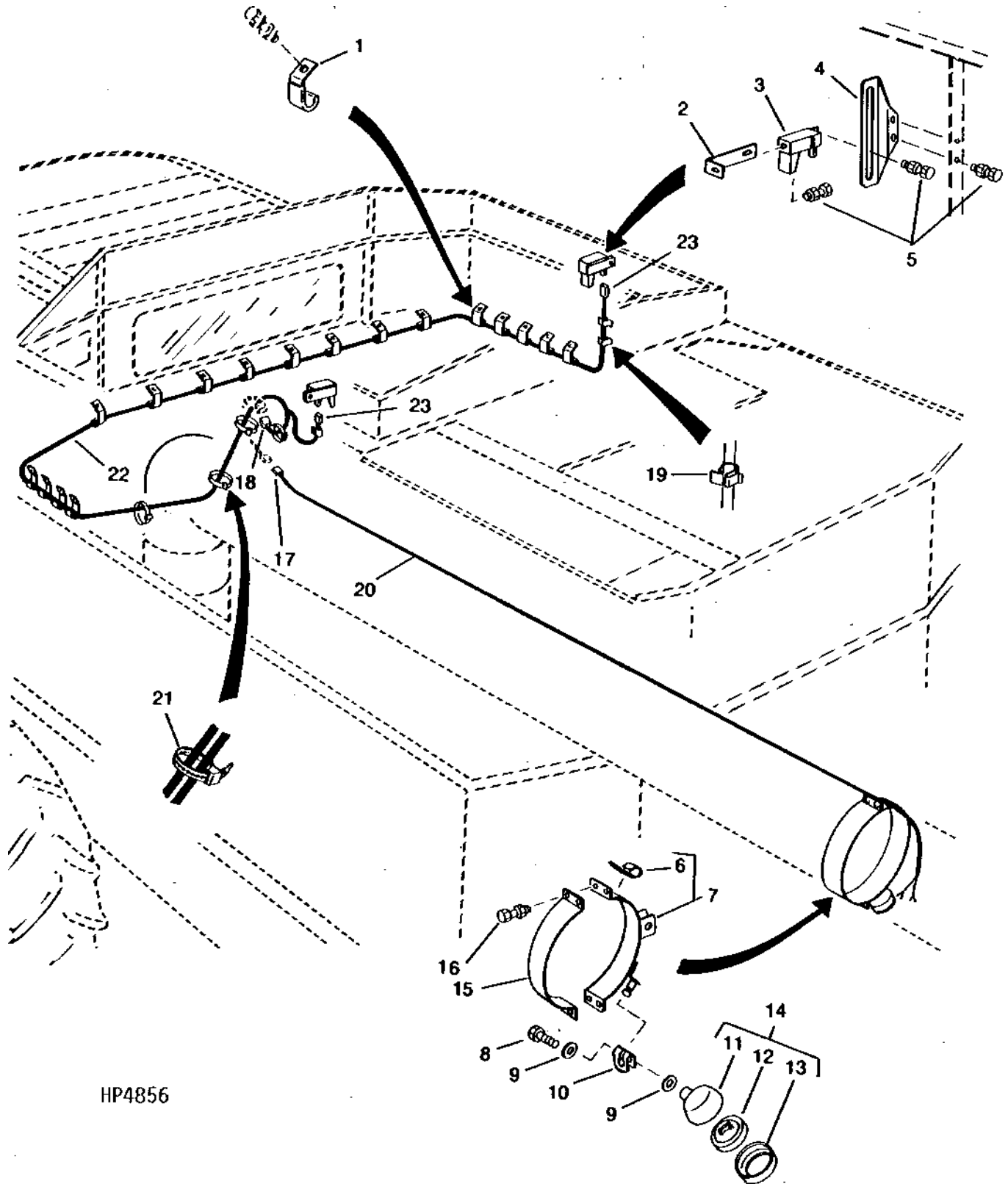
KEY	PART NO.	PART NAME	QTY	SERIAL NO.	REMARKS
1	AD2062R	BULB	1		
2	AH152451	LAMP	1		(SUB AH164499) (SUB FOR AH133109)
	AH164499	LAMP	1		
3	19M7865	SCREW	1		M8 X 16, (FOR WIRING HARNESS GROUND WIRE)
	14M7298	FLANGE NUT	1		M8
4	19M7866	SCREW	2		M8 X 20
	14M7298	FLANGE NUT	2		M8
5	H76064	CLIP	1	-640100	
6	H134999	SUPPORT	1		
7	H133824	BRACKET	1		
8	R78052	PIN CONTACT CONNECTOR BODY	1		(PKG OF 3)
	R78061	PIN CONTACT	1		(PKG OF 40)
9	19M7775	SCREW	4		M6 X 16
	14M7303	FLANGE NUT	4		M6
10	AH121475	SENSOR	1		
11	H133645	REINFORCEMENT	1		
12	T32231	CLAMP	1		
13	19M7177	CAP SCREW	3	-640100	M6 X 35
	19M6755	CAP SCREW	1	640101-	M6 X 35
	19M7865	SCREW	2	29SEP7-	M8 X 16
14	24M7054	WASHER	3	-650310	6.400 X 12 X 1.600 MM
	24M7139	WASHER	3	650311-	6.400 X 18 X 1.600 MM
15	AH89557	CLIP	1		
16	AH96317	CLIP	1		(SUB FOR AH89486)
17	19M7865	SCREW	1		M8 X 16
	14M7298	FLANGE NUT	1		M8
18	AH142999	SWITCH	1		(SUB AH163979) (INCLUDES H148702) (SUB FOR AH128906, AH137183 AND AH140989)
	AH163979	KIT	1		
19	H130637	CLAMP	13		
	AH117301	CLAMP	4		(SUB FOR AH139300)
20	AH151775	WIRING HARNESS	1	29SEP7-	(SUB FOR AH128405, AH134240 OR AH143922)
21	H118425	CONNECTOR	1		(22 HOLES, MIXED)
	AE44930	CONNECTOR	1		
	R78057	SOCKET CONTACT	1		(PKG OF 40)
	R78060	SOCKET CONTACT	1		(PKG OF 40)
22	RE12362	CONNECTOR	1		(PKG OF 3)
	R78047	SEAL	1		(PKG OF 5)
23	RE12363	CONNECTOR	1		(PKG OF 3)
	R78048	TERMINAL NIPPLE	1		(PKG OF 5)
	R78057	SOCKET CONTACT	1		(PKG OF 40)
24	R78053	PIN CONTACT CONNECTOR BODY	1		(PKG OF 3)
	R78063	TERMINAL NIPPLE	1		(PKG OF 40)
	R78060	SOCKET CONTACT	1		(PKG OF 40)
	R78061	PIN CONTACT	1		(PKG OF 40)
25	RE12366	CONNECTOR	1		(PKG OF 2)
	R78051	SEAL	1		(PKG OF 5)
	R78060	SOCKET CONTACT	1		(PKG OF 40)

2E23

ELECTRICAL

GRAIN TANK DUAL LEVEL MONITOR HARNESS AND UNLOADING AUGER LIGHT

HP4856 -UN-01JAN94



HP4856

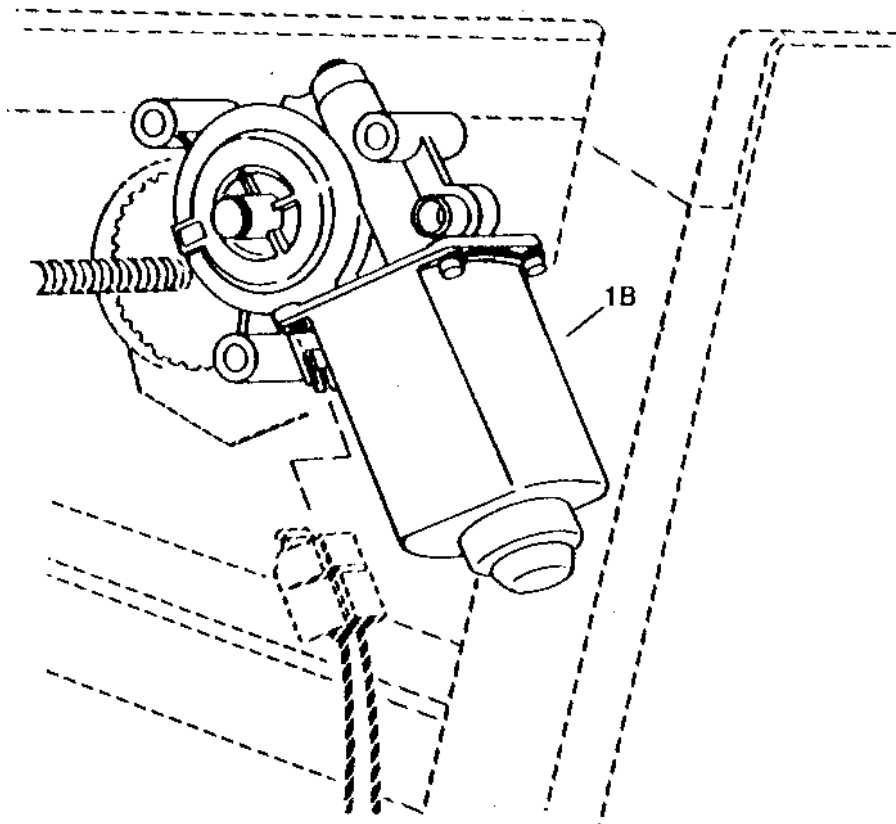
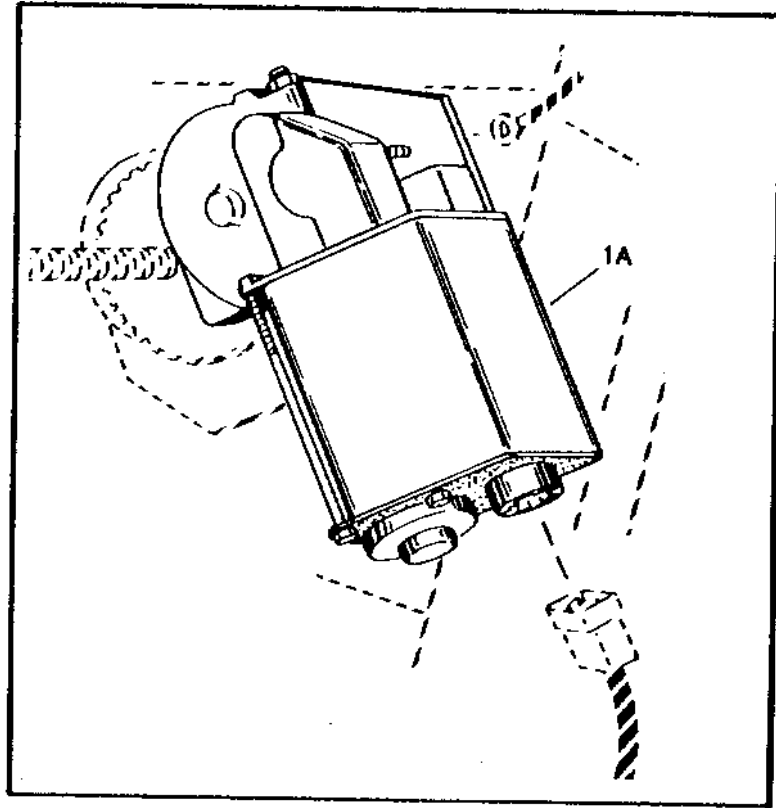
GRAIN TANK DUAL LEVEL MONITOR HARNESS AND UNLOADING AUGER LIGHT - CONTINUED

KEY	PART NO.	PART NAME	QTY	SERIAL NO.	REMARKS
1	H130637	CLAMP	5		
2	H133645	REINFORCEMENT	1		
3	AH121475	SENSOR	1		
4	H133824	BRACKET	1		
5	19M7775	SCREW	4	M6 X 16	
	14M7303	FLANGE NUT	4	M6	
6	AH89557	CLIP	1		
7	AH126541	CLAMP	1		
8	19H1974	CAP SCREW	1	1/2" X 2-3/4"	
9	24H1111	WASHER	2	17/32" X 1-1/16" X 0.090"	
10	R67377	CLAMP	1		
11	HOUSING	1		
12	AR42591	HEADLIGHT	1	35 WATT	
13	R31250	BEZEL	1		
14	AH98901	HEADLIGHT	1	-665100	(SUB AH162581 KIT AND AF3892R LAMP)
	AH148210	HEADLIGHT	1	665101-	
15	H133178	CLAMP	1		
16	19M7800	SCREW	4	M8 X 50	
	14M7396	LOCK NUT	4	M8	
17	RE12363	CONNECTOR	1		(PKG OF 3)
	R78048	TERMINAL NIPPLE	1		(PKG OF 5)
	R78060	SOCKET CONTACT	1		(PKG OF 40)
18	R78053	PIN CONTACT CONNECTOR BODY	1		(PKG OF 3)
	R78063	TERMINAL NIPPLE	1		(PKG OF 40)
	R78058	PIN CONTACT	1		(PKG OF 40)
19	H76064	CLIP	5	-640100	
	H76064	CLIP	4	640101-	
20	AH117018	WIRING HARNESS	1	-665100	(SUB FOR AH117016 OR AH117017)
	AH148028	WIRING HARNESS	1	665101-	FOR ALL AUGER LENGTHS
21	M66044	TIE BAND	7		
22	AH128986	WIRING HARNESS	1		
23	RE12363	CONNECTOR	1		(PKG OF 3)
	R78048	TERMINAL NIPPLE	1		(PKG OF 5)
	R78057	SOCKET CONTACT	1		(PKG OF 40)

2F1

ELECTRICAL

SEPARATOR FAN DRIVE ADJUSTING MOTOR
HP5763 -UN-01JAN94



HP5763

2F2

ELECTRICAL

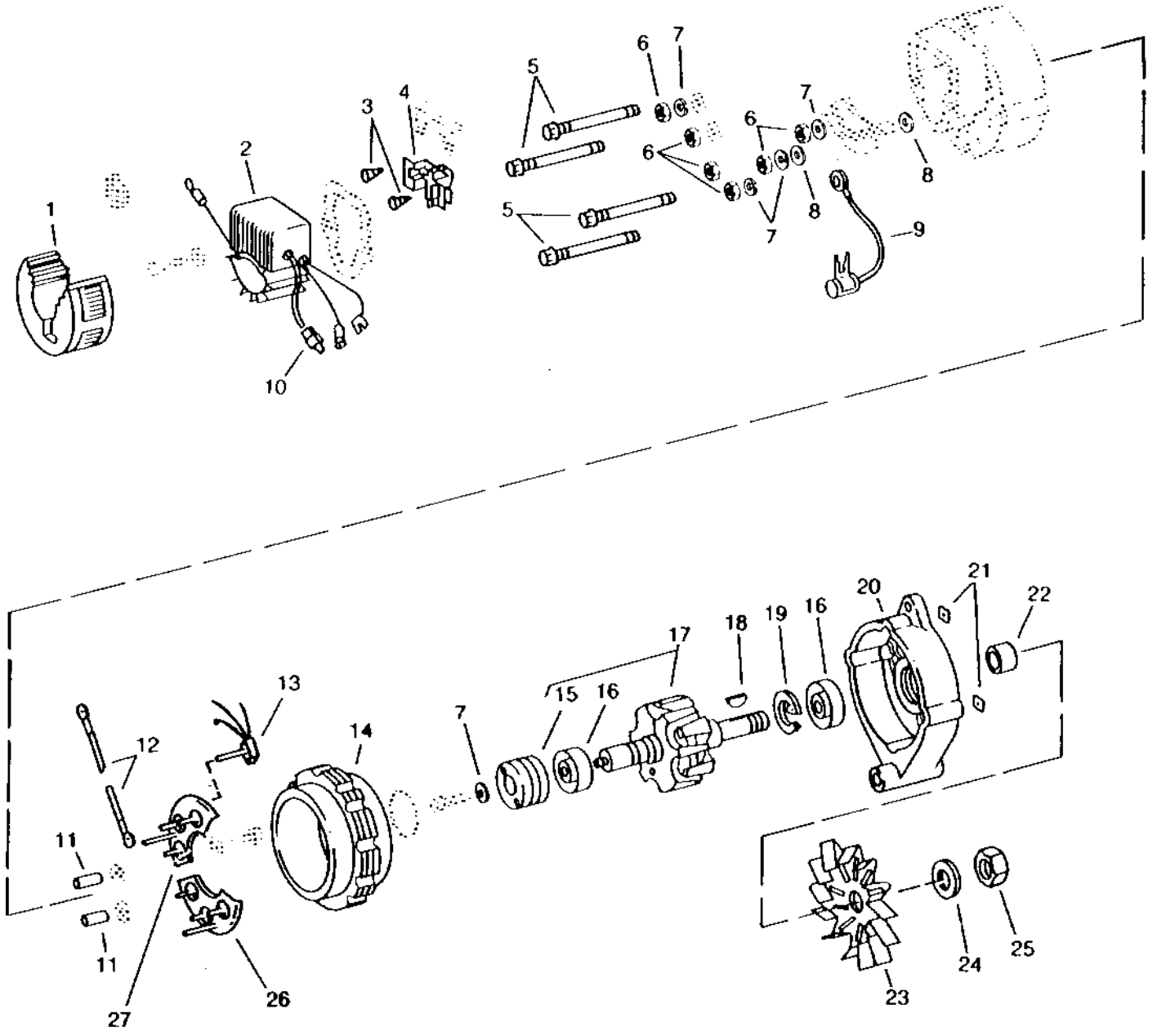
SEPARATOR FAN DRIVE ADJUSTING MOTOR - CONTINUED

KEY	PART NO.	PART NAME	QTY	SERIAL NO.	REMARKS
1A	AH124567	MOTOR	1	-655100	ADAPTER HARNESS AH143997, PLUS (2) ADAPTER AH106612 RELAYS, SUPPORT AH143904 AND CORRESPONDING HARDWARE (3) 19M8321 AND (3) 14M7165 MUST BE ORDERED WITH AH143903 FAN SPEED ADJUST MOTOR WHEN INSTALLED ON COMBINES WITH SERIAL NUMBERS UNDER 655100
1B	AH143903	MOTOR	1	655101-	IN COMBINATION WITH EXISTING POWER DISTRIBUTION BOARD AND L.H. WIRING HARNESS. (USE WITH AH143904, 19M8321 AND 14M7165)

2F3

ELECTRICAL

ALTERNATOR AND VOLTAGE REGULATOR(90 AMP)
MOTOROLA-PRESTOLITE (-650100)
HP3534 -UN-01JAN94



HP 3534

2F4

ELECTRICAL

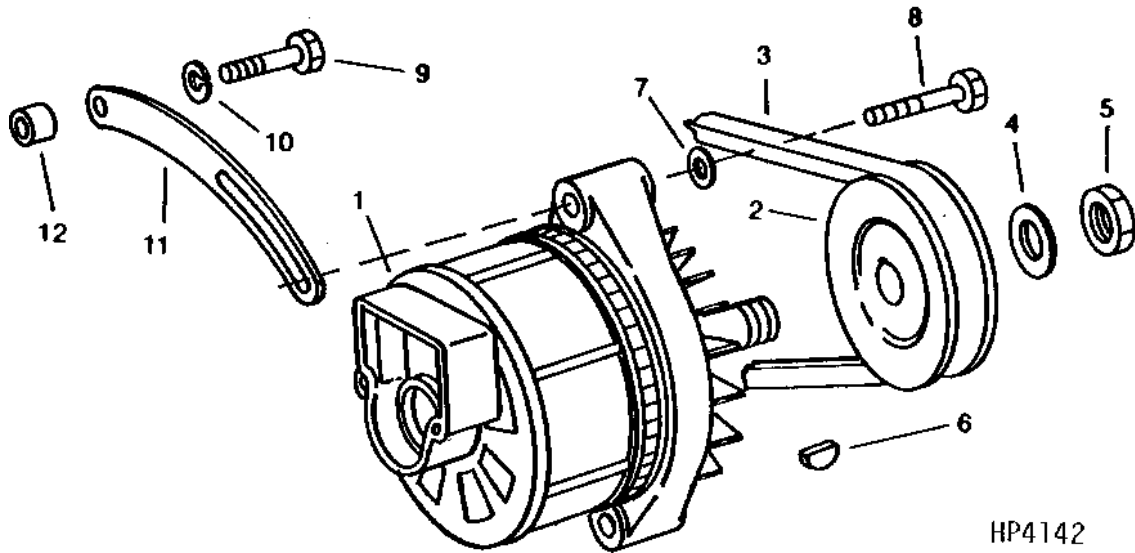
ALTERNATOR AND VOLTAGE REGULATOR (90 AMP) - CONTINUED
MOTOROLA - PRESTOLITE (-650100)

KEY	PART NO.	PART NAME	QTY	SERIAL NO.	REMARKS
1	H121705	COVER	1		
2	AH117788	VOLTAGE REGULATOR	1		(USE WITH T29100 GASKET, (2) 37H78 SCREW AND (2) 12H356 WASHER)
3	37H47	SCREW	2		
4	AH122311	BRUSH	1		
5	R47460	BOLT	4		4.826 X 84.328 MM (0.190" X 3.320")
6	14H778	NUT	6		0.190"
7	12H246	LOCK WASHER	5		0.190"
8	R15036	WASHER	2		5.156 X 19.050 X 1.524 MM (13/64" X 3/4" X 0.060")
9	AH105521	CAPACITOR	1		
10	R48887	TAB CONNECTOR BODY	1		
11	T25353	BUSHING	2	-640505	(SUB TY6653)
12	AT27126	WIRING LEAD	1	-640505	(SUB TY6653)
13	AH117790	DIODE	1		
14	AH117791	STATOR	1		
15	AT27127	RING	1	-640505	(SUB TY6748)
16	JD9449	BALL BEARING	2		(SUB FOR JD9395)
17	AH117789	ROTOR	1		WITH SLIP RINGS AND BEARINGS
18	26H72	SHAFT KEY	1		(SUB FOR 26H9)
19	R15029	RETAINER	1		
20	R15033	HOUSING	1		
21	14H631	NUT	4		0.190"
22	T25343	BUSHING	1	-640505	(SUB TY6653)
23	R15027	FAN	1		
24	12H294	LOCK WASHER	1		5/8"
25	14H866	NUT	1		5/8"
26	AH134530	RECTIFIER	1		RECTIFYING - NEGATIVE
27	AH134529	RECTIFIER	1		RECTIFYING - POSITIVE
..	TY6748	ALTERNATOR	1		(SUB FOR TY6653) REMANUFACTURED

2F5

ELECTRICAL

ALTERNATOR, SHEAVE AND BELT
 MOTOROLA - PRESTOLITE (-650100)
 HP4142 -UN-01JAN94



HP4142

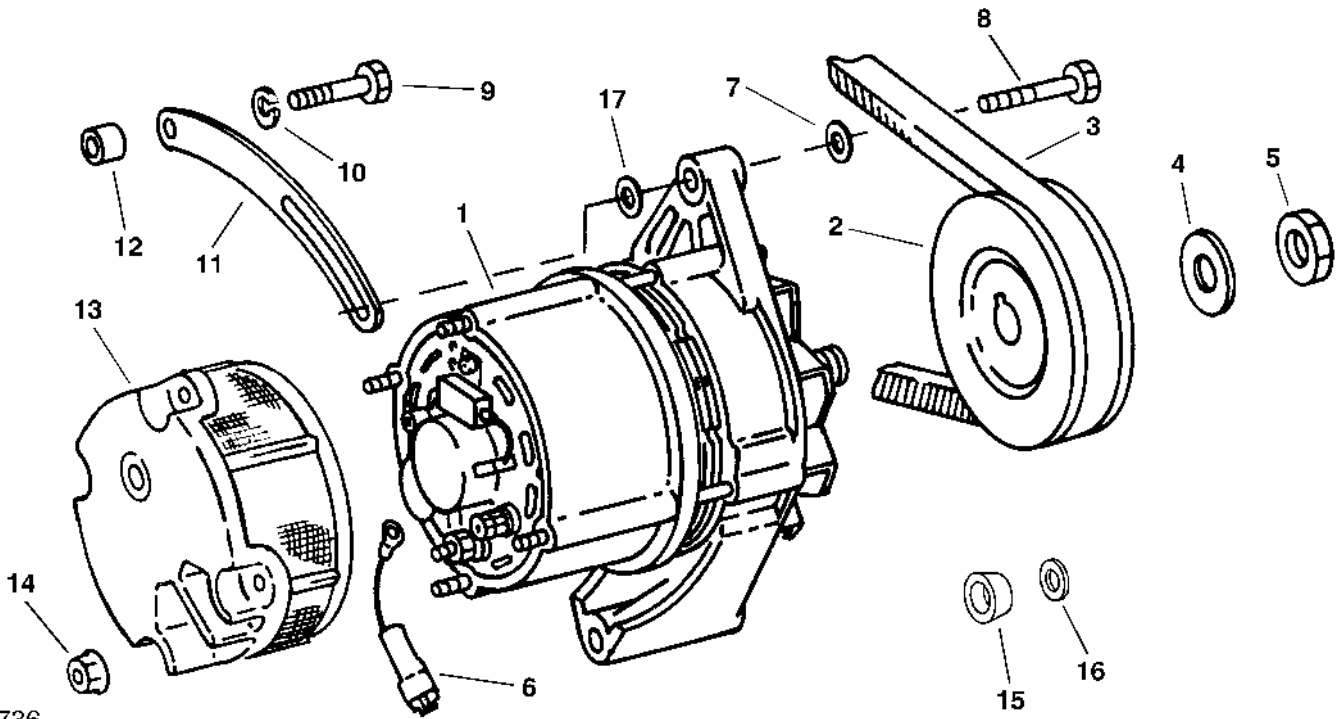
KEY	PART NO.	PART NAME	QTY	SERIAL NO.	REMARKS
1	TY6653	ALTERNATOR	1	-635305	(SUB TY6748)
	TY6748	ALTERNATOR	1		INCS. REGULATOR, DUST SCREEN & FAN
2	T100640	PULLEY	1	-640100	(DOUBLE PULLEY)
	H93619	PULLEY	1	640101-	(SINGLE PULLEY)
3	RE44538	BELT	1	-640100	MATCHED SET OF TWO BELTS
	H101813	BELT	1	640101-	12.700 X 1 479.550 MM (1/2" X 58-1/4") (SUB FOR H145026)
4	12H294	LOCK WASHER	1		5/8"
5	14H866	NUT	1		5/8"
6	26H9	SHAFT KEY	1		1/8" X 5/8"
7	24M7207	WASHER	1		8.400 X 24 X 2 MM
8	19H2117	CAP SCREW	1		5/16" X 1-1/8"
9	19H1726	CAP SCREW	1		3/8" X 2-1/4"
10	12H304	LOCK WASHER	1		3/8"
11	R107734	STRAP	1		
12	24M7096	WASHER	1		(SUB FOR 24H1304)

2F6

ELECTRICAL

ALTERNATOR, SHEAVE AND BELT

BOSCH (650101-)
HP6736 -UN-02JUN97



HP6736

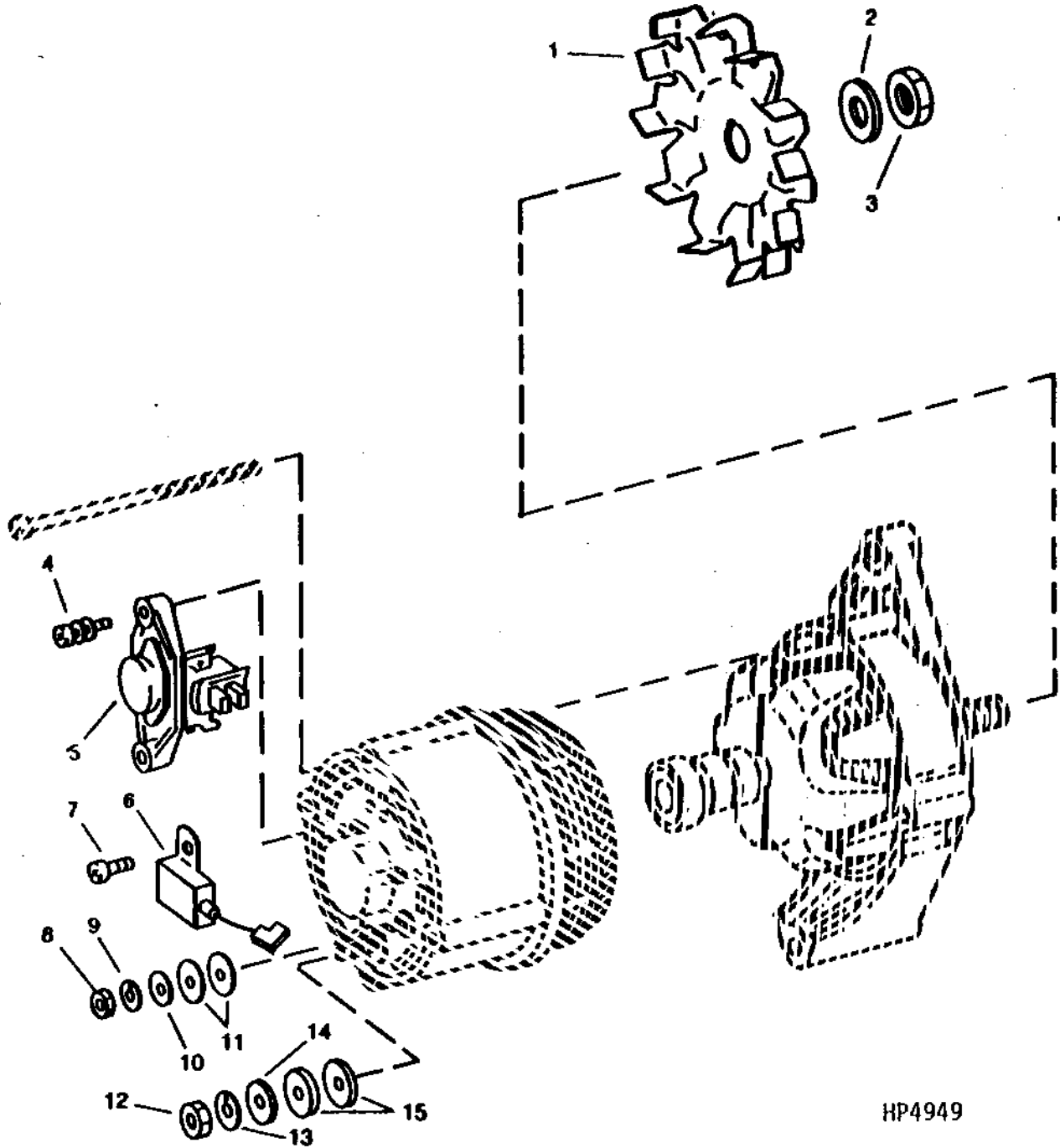
KEY	PART NO.	PART NAME	QTY	SERIAL NO.	REMARKS
1	TY24485	ALTERNATOR	1	635306-	(SUB FOR TY6750) REMANUFACTURED (ALSO REQUIRES AH134262 WIRING HARNESS)
2	H144139	PULLEY	1	-670100	(SINGLE GROOVE)
	R94350	SHEAVE	1	670101-	(MULTIPLE GOOVE)
	H144114	SHEAVE	1		
3	H101813	BELT	1	-670100	
	R123522	BELT	1	670101-	
4	T10745	WASHER	1	635306-	
5	14M7158	NUT	1	635306-670100	M16
	14M7296	FLANGE NUT	1	670101-	M10
6	AH146309	WIRING HARNESS	1		(SUB FOR AH134262)
7	24M7207	WASHER	1		8.400 X 24 X 2 MM
8	19M7868	SCREW	1		M8 X 30
9	19H1726	CAP SCREW	1		3/8" X 2-1/4"
10	12H304	LOCK WASHER	1		3/8"
11	R107734	STRAP	1		
12	24M7106	WASHER	1		10 X 18 X 2.500 MM, (SUB FOR 24H1304)
13	AH138291	SCREEN	1	650161-	(USE WITH TY6750)
	AT207952	COVER	1		(USE WITH TY24485)
14	14M7375	FLANGE NUT	4	650161-	M5
15	R94351	BUSHING	1	670101-	
16	R64525	WASHER	1	670101-	
17	R48808	WASHER	1	670101-	

2F7

ELECTRICAL

BOSCH ALTERNATOR AND VOLTAGE REGULATOR (95 AMP)

(650101-)
HP4949 -UN-01JAN94



HP4949

2F8

ELECTRICAL

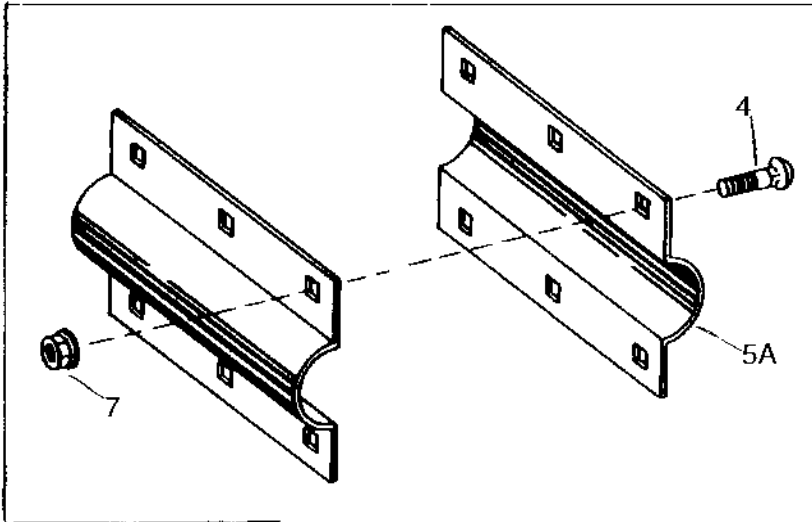
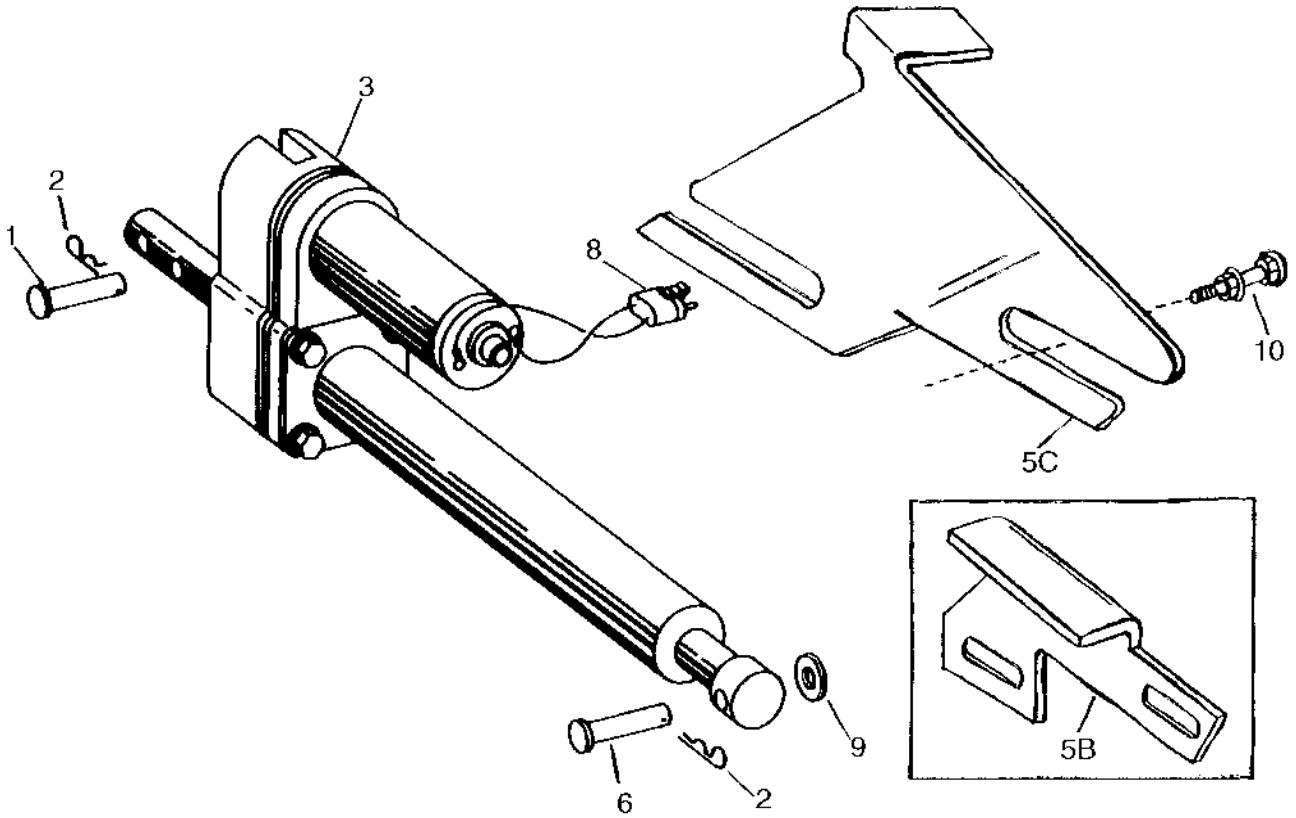
BOSCH ALTERNATOR AND VOLTAGE REGULATOR (95 AMP) - CONTINUED
BOSCH (650101-)

KEY	PART NO.	PART NAME	QTY	SERIAL NO.	REMARKS
1	L33993	FAN	1	-16SE96	
2	T10745	WASHER	1		
3	14M7158	NUT	1	M16	
4	21M7252	SCREW	2		M4 X 16
	12M7091	LOCK WASHER	2		4.300 MM, (SUB 12M7084)
	12M7084	LOCK WASHER	2		4.300 MM (0.169")
5	H144094	VOLTAGE REGULATOR	1	635306-	
6	H144095	CAPACITOR	1	635306-	
7	21M6071	SCREW	1		M5 X 10
	12M7112	LOCK WASHER	1	-660161	5.300 MM, (SUB 12M7060)
	12M7060	WASHER	1		5.300 MM (0.209")
8	14M7297	NUT	1		M5
9	12M7112	LOCK WASHER	1		5.300 MM
10	WASHER	1		
11	R47460	BOLT	2		
12	14M7273	NUT	1	635306-	M8
13	12M7032	LOCK WASHER	1		8.400 MM
14	R15036	WASHER	1		
15	WASHER	2		
..	TY24485	ALTERNATOR	1		(SUB FOR TY6750) REMANUFACTURED

2F9

ELECTRICAL

CONCAVE ADJUSTING MOTOR
HP6251 -UN-04JAN96



HP6251

2F10

ELECTRICAL

CONCAVE ADJUSTING MOTOR - CONTINUED

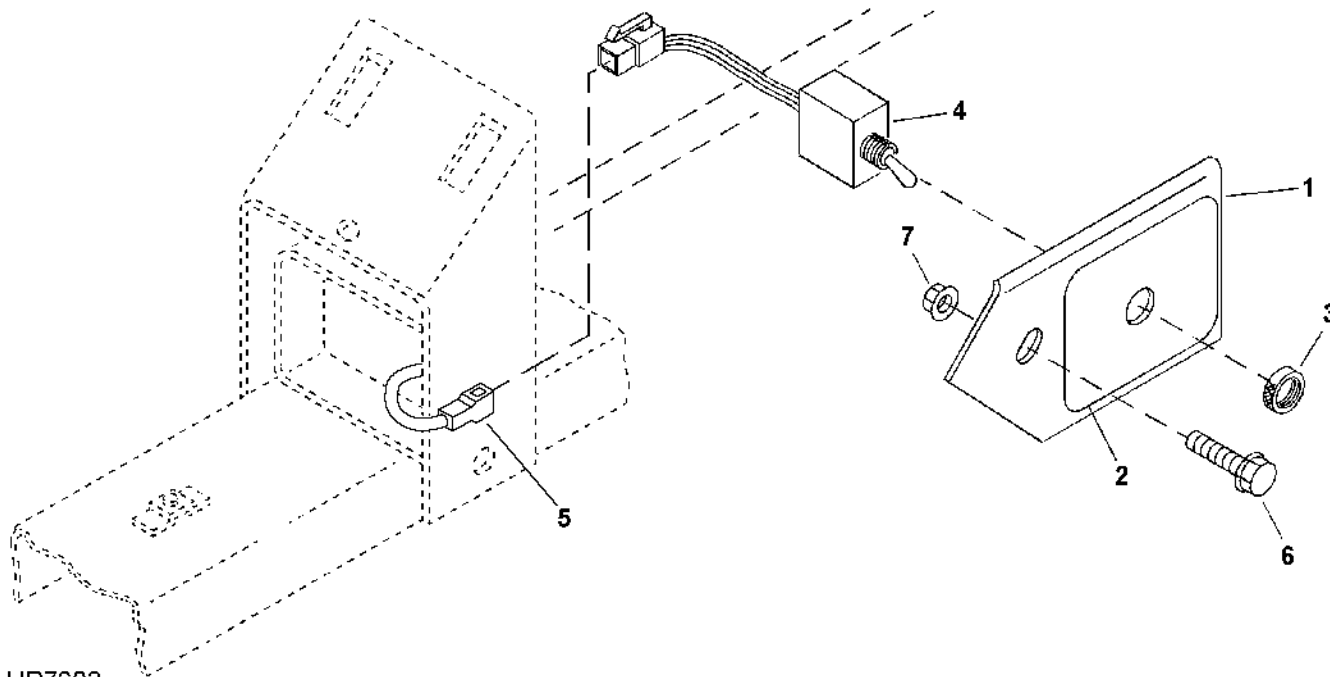
KEY	PART NO.	PART NAME	QTY	SERIAL NO.	REMARKS
1	H98765	PIN	1		
2	B32630	SPRING LOCKING PIN	2		
3	AH134728	ACTUATOR	1		
4	03M7192	BOLT	6	-640100	M10 X 30
5A	H139338	STOP	2	-640100	(SUB H144801)
5B	H144801	STOP	1	640101-640505	(SUB H146730) (SEE SECTION 120 FOR PARTS)
5C	H146730	STOP	1		(SEE SECTION 120 FOR PARTS)
6	H98494	PIN	1		FOR RASP BAR CONCAVE ONLY SERVICE ONLY
	H148340	PIN	1	645570-	FOR RASP BAR CONCAVE ONLY
	H109146	PIN	1		(SUB H148900) FOR SPIKE TOOTH CONCAVE ONLY
7	14M7296	FLANGE NUT	6	-640100	M10
8	RE12363	CONNECTOR	1		(PKG OF 3)
	R78048	TERMINAL NIPPLE	1		(PKG OF 5)
	R78060	SOCKET CONTACT	1		(PKG OF 40)
9	24M7014	WASHER	1	-635214	12.500 X 40 X 2.500 MM, (SUB 24H1654)
	24H1654	WASHER	1	635215-	REQUIRED WITH H132821 CAST CAM ONLY
	24H1654	WASHER	1	637350-	9/16" X 1-15/32" X 0.105"
10	19M7812	SCREW	2	640101-	M10 X 100
	14M7196	NUT	2	640101-	M3
	24M7178	WASHER	2	29SEP7-	10.500 X 30 X 2.500 MM

2F11

ELECTRICAL

SHOE ADJUSTING LIGHT SWITCH

HP7602 -UN-20AUG98



HP7602

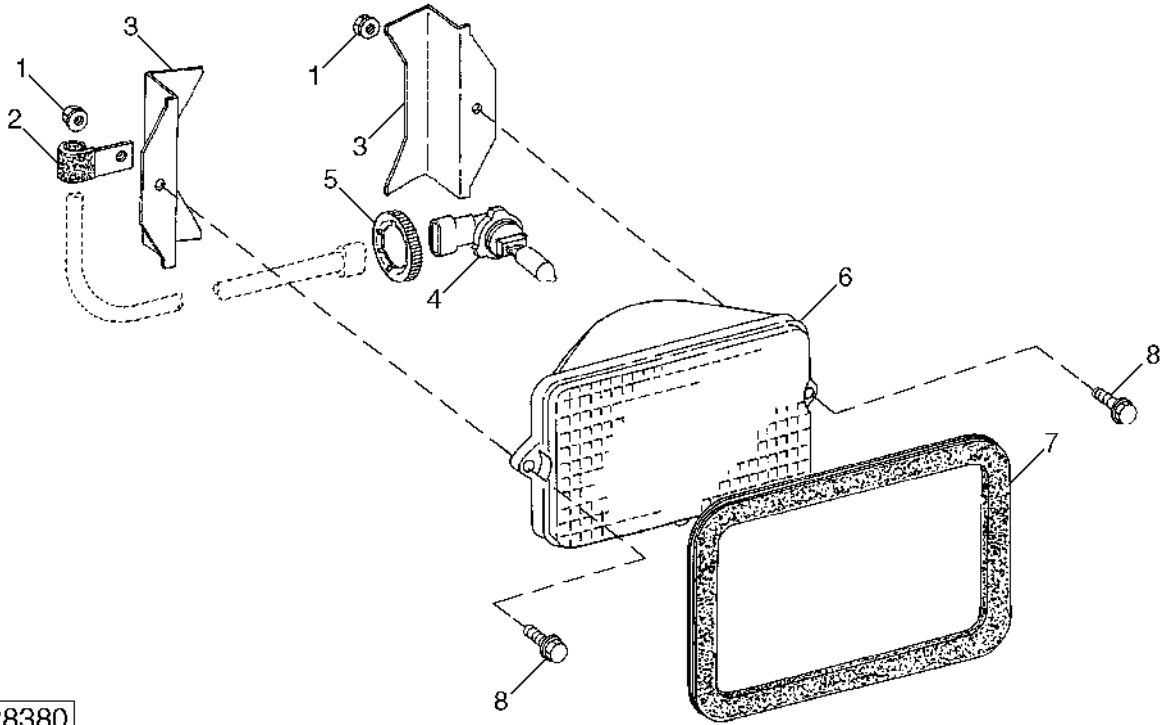
KEY	PART NO.	PART NAME	QTY	SERIAL NO.	REMARKS
1	H164632	BRACKET	1		
2	H166357	LABEL	1		
3	H140248	NUT	1	0.468"	
4	AH158310	TOGGLE SWITCH	1		
5	AH158514	WIRING HARNESS	1		
6	19M7865	SCREW	1	M8 X 16	
7	14M7298	FLANGE NUT	1	M8	
..	BH81453	COMPLETE GOODS/SHIP. BUNDLE	1		SHOE ADJUSTING LIGHT CONVERSION

2F12

ELECTRICAL

SIDE FINDER LIGHTS (LH AND RH)

HP8380 -UN-27JUL99



HP8380

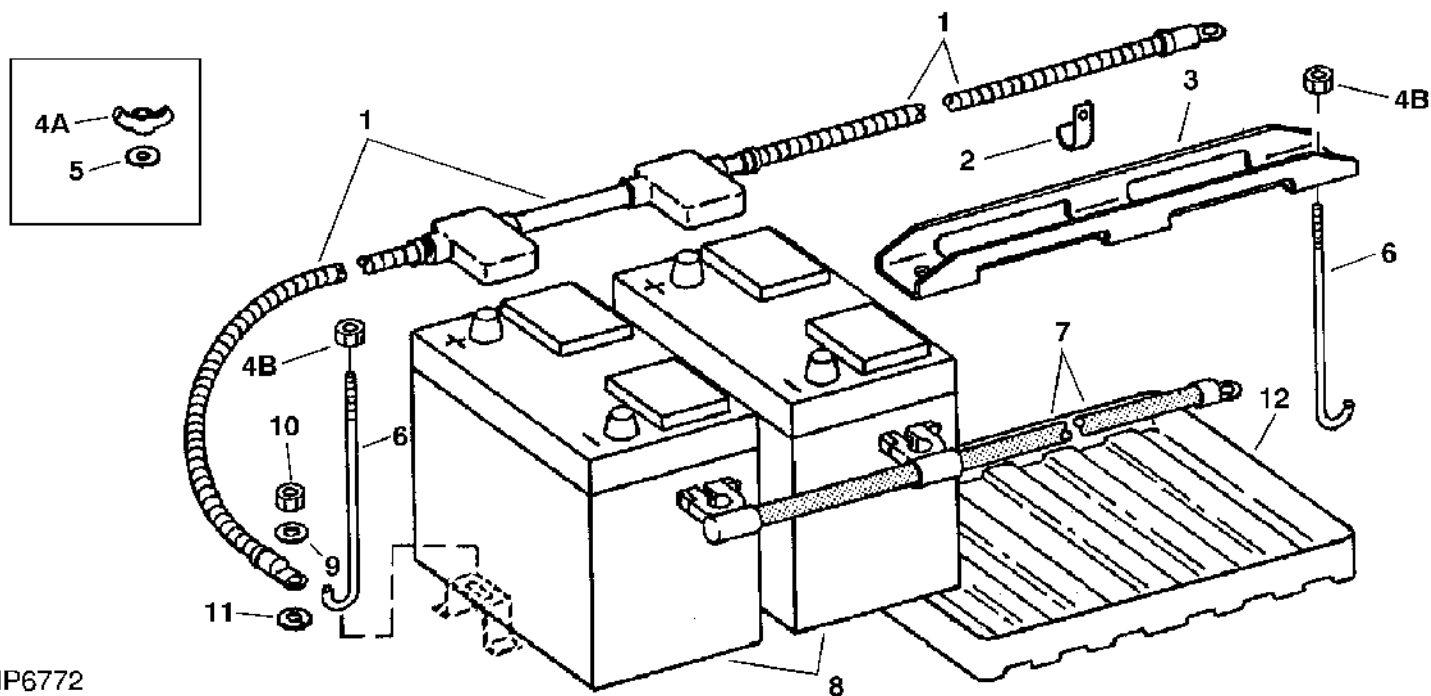
KEY	PART NO.	PART NAME	QTY	SERIAL NO.	REMARKS
1	14M7303	FLANGE NUT	4	M6	
2	AH89557	CLIP	2		
3	H132687	RETAINER	4		
4	AH127718	BULB	2		
5	H132900	RETAINER	2		
6	AH128328	FLOODLAMP	2		
7	H132686	GROMMET	2	-24NOV7	
	H165252	GROMMET	2	24NOV7-	
8	19M7774	SCREW	4	M6 X 12	
..	H132666	PLATE	2		USED ONLY WITHOUT SIDE FINDER LIGHTS
..	BH78337	COMPLETE GOODS/SHIP. BUNDLE	1		SIDE FINDER LIGHTS
..	BH81453	COMPLETE GOODS/SHIP. BUNDLE	1		SHOE ADJUSTING LIGHT CONVERSION

2F13

ELECTRICAL

BATTERIES, CABLES AND HOLDDOWN

HP6772 -UN-18AUG97



HP6772

KEY	PART NO.	PART NAME	QTY	SERIAL NO.	REMARKS
1	AH145256	CABLE	1		(SUB FOR AH128414 OR AH134250)
2	AH96317	CLIP	1		(SUB FOR AH89486)
3	H134000	CLAMP	1		
4A	14M7020	WING NUT	2	-27MY97	M8
4B	14M7396	LOCK NUT	2	27MY97-	M8
5	24M7055	WASHER	2	-27MY97	8.400 X 16 X 1.600 MM
6	H133998	HOOK BOLT	2	-670100	
	H158292	HOOK BOLT	2		
7	AH128413	CABLE	1		
8	TY21765	BATTERY	2		(SUB FOR TY6167)
9	24M7054	WASHER	1		6.400 X 12 X 1.600 MM
10	14M7303	FLANGE NUT	1		M6
11	12M7081	LOCK WASHER	1		6.400 MM
12	H144256	TRAY	2		

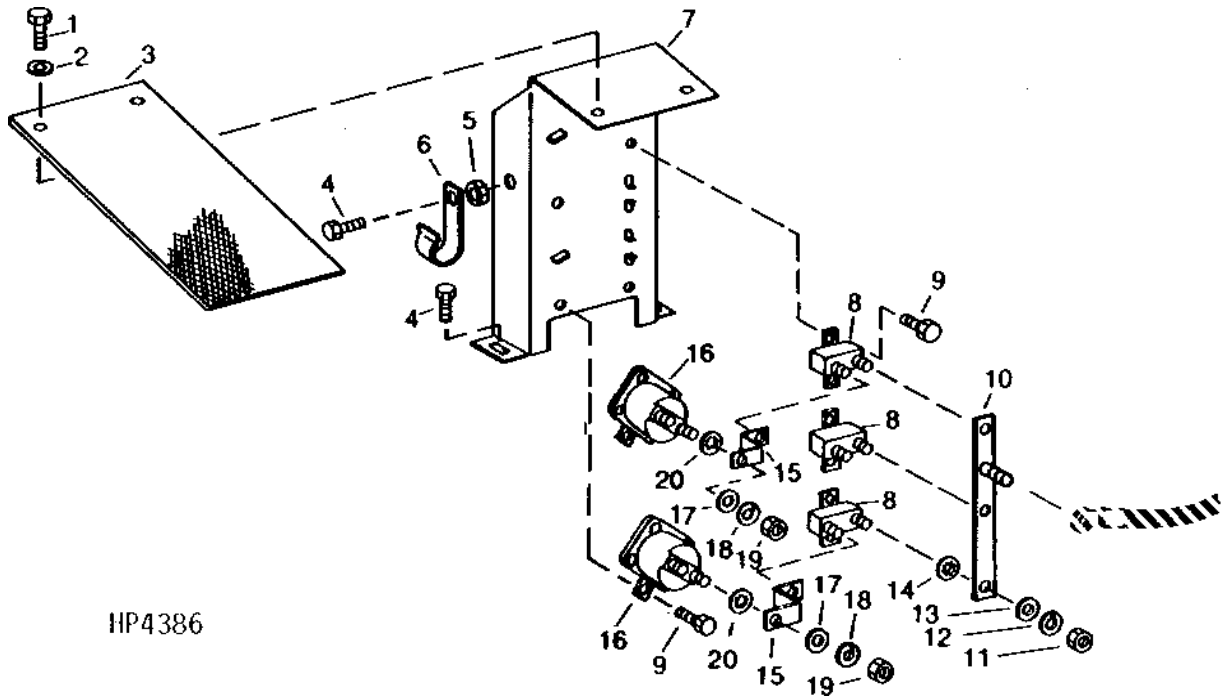
2F14

ELECTRICAL

CIRCUIT BREAKERS - ENGINE COMPARTMENT

(-660100)

HP4386 -UN-01JAN94



HP4386

KEY	PART NO.	PART NAME	QTY	SERIAL NO.	REMARKS
1	19M7865	SCREW	2	-650100	M8 X 16
	H116740	PLUG	2	650101-	
2	24M7207	WASHER	2		8.400 X 24 X 2 MM
3	H150923	FLAP	1		(SUB FOR H135224 OR H149121)
4	19M7865	SCREW	AR		M8 X 16
5	14M7298	FLANGE NUT	AR		M8
6	AH90990	CLIP	1		
7	AH131071	PANEL	1	-650100	(SUB (2) H116740 AND H150922 AND H150923)
	H164348	PANEL	1		(SUB FOR H149120 OR H150922)
8	AH112189	CIRCUIT BREAKER	3		
9	37H147	SCREW	10		
10	AH145031	STRAP	1		(SUB FOR AH120900)
11	14H631	NUT	AR		0.190"
12	12H246	LOCK WASHER	10		0.190"
13	24M7027	WASHER	10		5.300 X 10 X 1 MM
14	12M7112	LOCK WASHER	10	-660162	5.300 MM, (SUB 12M7060)
	12M7060	WASHER	10		5.300 MM (0.209")
15	H125347	STRAP	2		
16	AR73144	RELAY	2		
17	24M7055	WASHER	AR		8.400 X 16 X 1.600 MM
18	12H303	LOCK WASHER	AR		5/16", (SUB 12M7065)
19	14H785	NUT	AR		5/16"
20	12M7032	LOCK WASHER	AR		8.400 MM

2F15

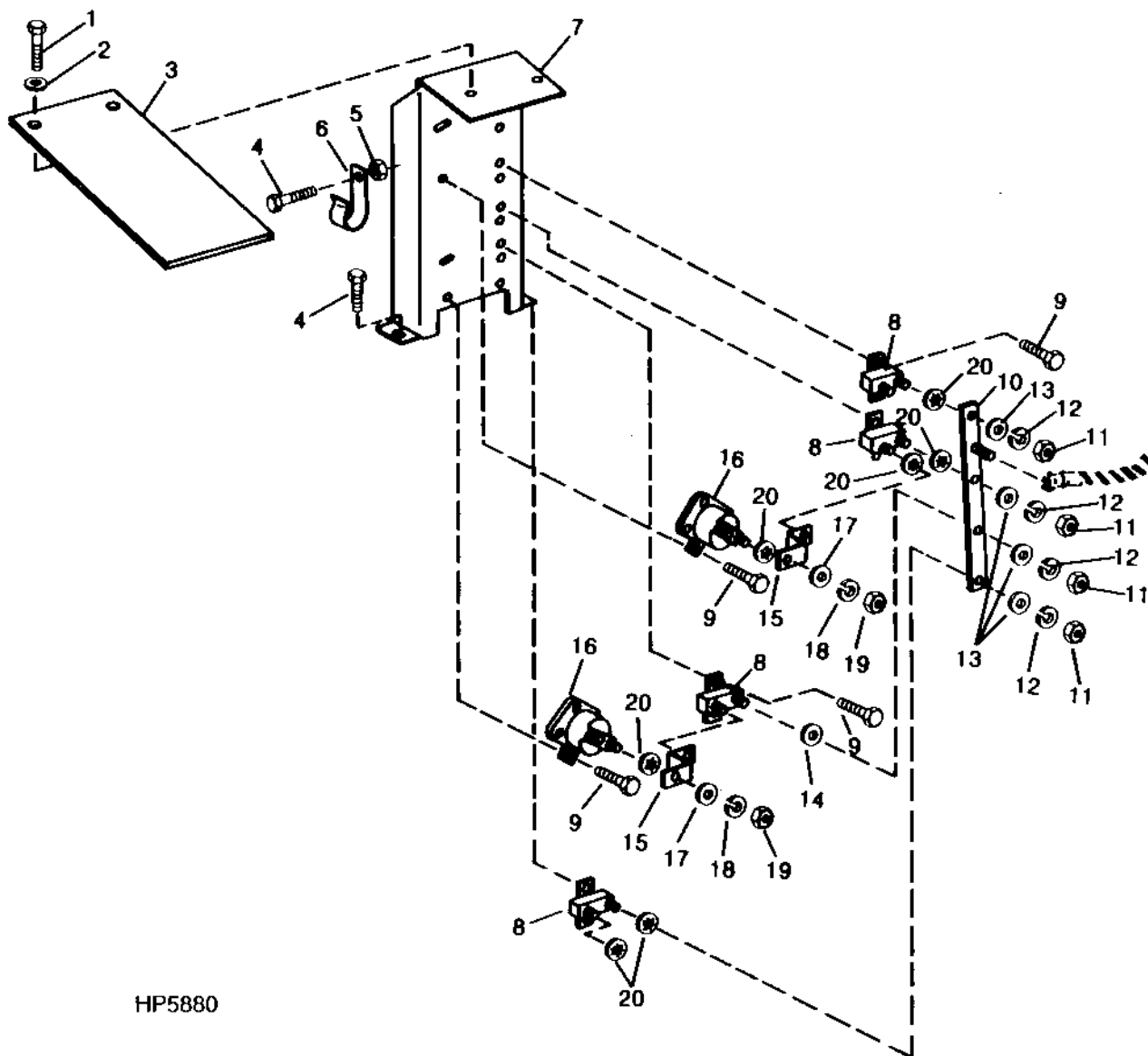
ELECTRICAL

CIRCUIT BREAKERS - ENGINE COMPARTMENT

(660101-8AUG97)

HP5880

-UN-17OCT94



HP5880

2F16

ELECTRICAL

CIRCUIT BREAKERS - ENGINE COMPARTMENT - CONTINUED
(660101-8AUG97)

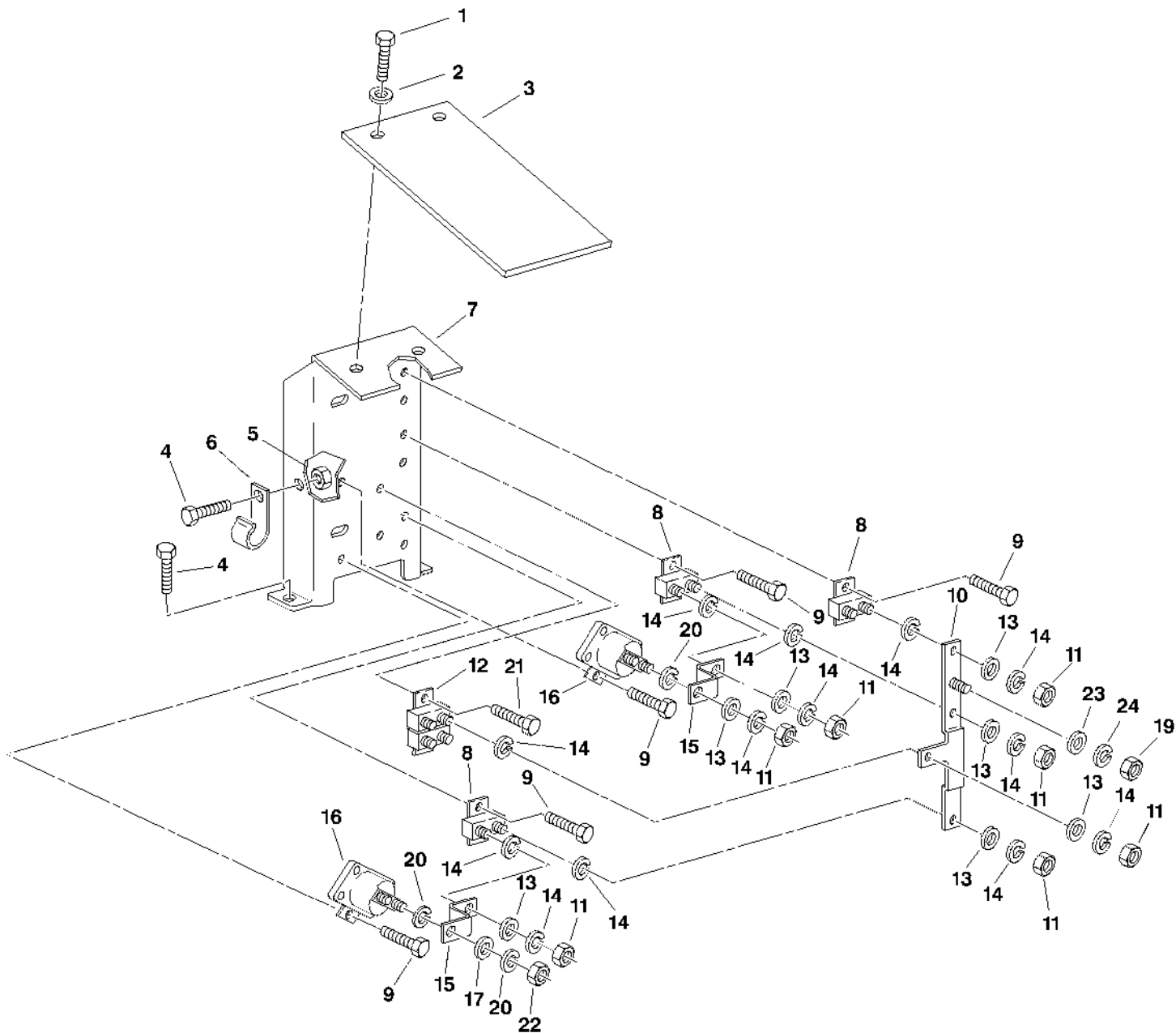
KEY	PART NO.	PART NAME	QTY	SERIAL NO.	REMARKS
1	H116740	PLUG	2		
2	24M7207	WASHER	2		8.400 X 24 X 2 MM (0.331" X 0.945" X 0.079")
3	H150923	FLAP	1		
4	19M7865	SCREW	AR		M8 X 16
5	14M7298	FLANGE NUT	AR		M8
6	AH90990	CLIP	1		
7	H164348	PANEL	1		(SUB FOR H150922)
8	AH112189	CIRCUIT BREAKER	4		
9	37H147	SCREW	10		
10	AH145031	STRAP	1	-29SEP7	
11	14H631	NUT	AR		4.826 MM (0.190")
12	12H246	LOCK WASHER	AR		4.826 MM (0.190")
13	24M7027	WASHER	AR		5.300 X 10 X 1 MM (0.209" X 0.394" X 0.039")
14	12M7060	WASHER	AR		5.300 MM (0.209")
15	H125347	STRAP	2		
16	AR73144	RELAY	2		
17	24M7055	WASHER	AR		8.400 X 16 X 1.600 MM (0.331" X 0.630" X 0.063")
18	12H303	LOCK WASHER	AR		7.938 MM (5/16")
19	14H785	NUT	AR		7.925 MM (5/16")
20	12M7032	LOCK WASHER	AR		8.400 MM (0.331")

2F17

ELECTRICAL

CIRCUIT BREAKERS - ENGINE COMPARTMENT

(8AUG97-)
HP7383 -UN-21JAN98



HP7383

2F18

ELECTRICAL

CIRCUIT BREAKERS - ENGINE COMPARTMENT - CONTINUED
(8AUG97-)

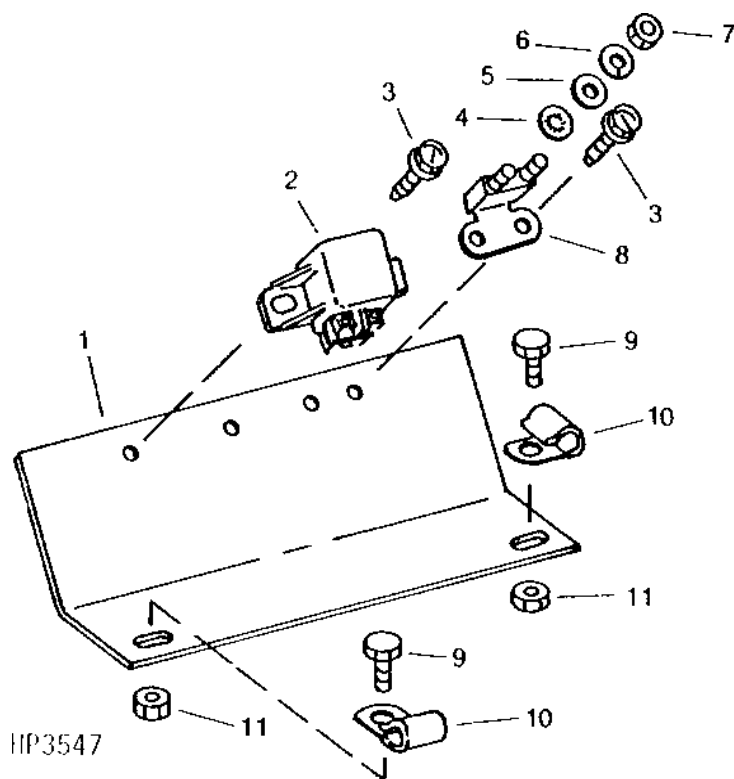
KEY	PART NO.	PART NAME	QTY	SERIAL NO.	REMARKS
1	H116740	PLUG	2		
2	24M7207	WASHER	2		
3	H150923	FLAP	1		8.400 X 24 X 2 MM (0.331" X 0.945" X 0.079")
4	19M7865	SCREW	AR		
5	14M7298	FLANGE NUT	AR		M8 X 16
6	AH90990	CLIP	1		M8
7	H164348	PANEL	1		
8	AH112189	CIRCUIT BREAKER	3		
9	37H147	SCREW	10		
10	AH158604	STRAP	1		
11	14H631	NUT	AR		4.826 MM (0.190")
12	AH159105	CIRCUIT BREAKER	1		100 AMP, DUAL 50A
13	24M7027	WASHER	AR		5.300 X 10 X 1 MM (0.209" X 0.394" X 0.039")
14	12M7060	WASHER	AR		5.300 MM (0.209")
15	H125347	STRAP	2		
16	AR73144	RELAY	2		
17	24M7055	WASHER	AR		8.400 X 16 X 1.600 MM (0.331" X 0.630" X 0.063")
18	12M7081	LOCK WASHER	1		6.400 MM (0.252") M6.4
19	14H860	NUT	1		6.350 MM (1/4") M6
20	12M7032	LOCK WASHER	AR		8.400 MM (0.331")
21	37H129	SCREW	1		10 X 5/8
22	14H785	NUT	1		5/16
23	24M7054	WASHER	1		M6.4 X 12.5 X 1.6
24	12H302	LOCK WASHER	1		

2F19

ELECTRICAL

THROTTLE CONTROL PANEL, RELAY AND CIRCUIT BREAKER (6359)

HP3547 -UN-01JAN94



2F20

ELECTRICAL

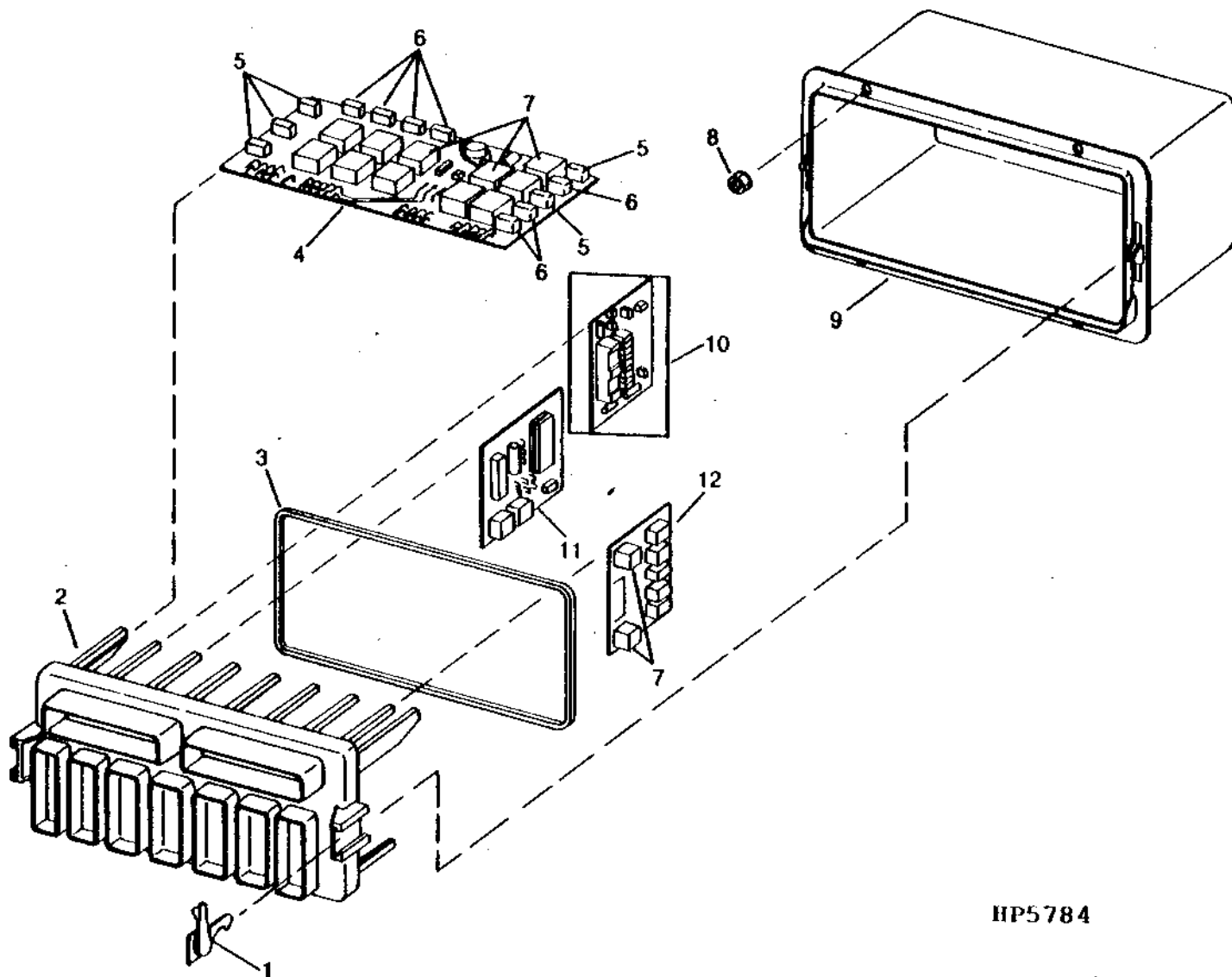
THROTTLE CONTROL PANEL, RELAY AND CIRCUIT BREAKER (6359) - CONTINUED

KEY	PART NO.	PART NAME	QTY	SERIAL NO.	REMARKS
1	H135963	PANEL	1		
2	AH131423	RELAY	1		
3	37M7060	SCREW	4		M4 X 10
4	12M7112	LOCK WASHER	2	-660261	5.300 MM
	12M7060	WASHER	2		5.300 MM (0.209")
5	24M7027	WASHER	2		5.300 X 10 X 1 MM
6	12H246	LOCK WASHER	2		0.190"
7	14H631	NUT	2		0.190"
8	AR55649	CIRCUIT BREAKER	1	-670226	10 AMP
	AH160627	CIRCUIT BREAKER	1	670227-	10 AMP SEALED
9	19M7865	SCREW	2		M8 X 16
10	AH89557	CLIP	2		
11	14M7298	FLANGE NUT	2		M8

2F21

ELECTRICAL

CENTRAL ELECTRONICS MODULE AND CIRCUIT BOARDS
HP5784 -UN-01JAN94



HP5784

2F22

ELECTRICAL

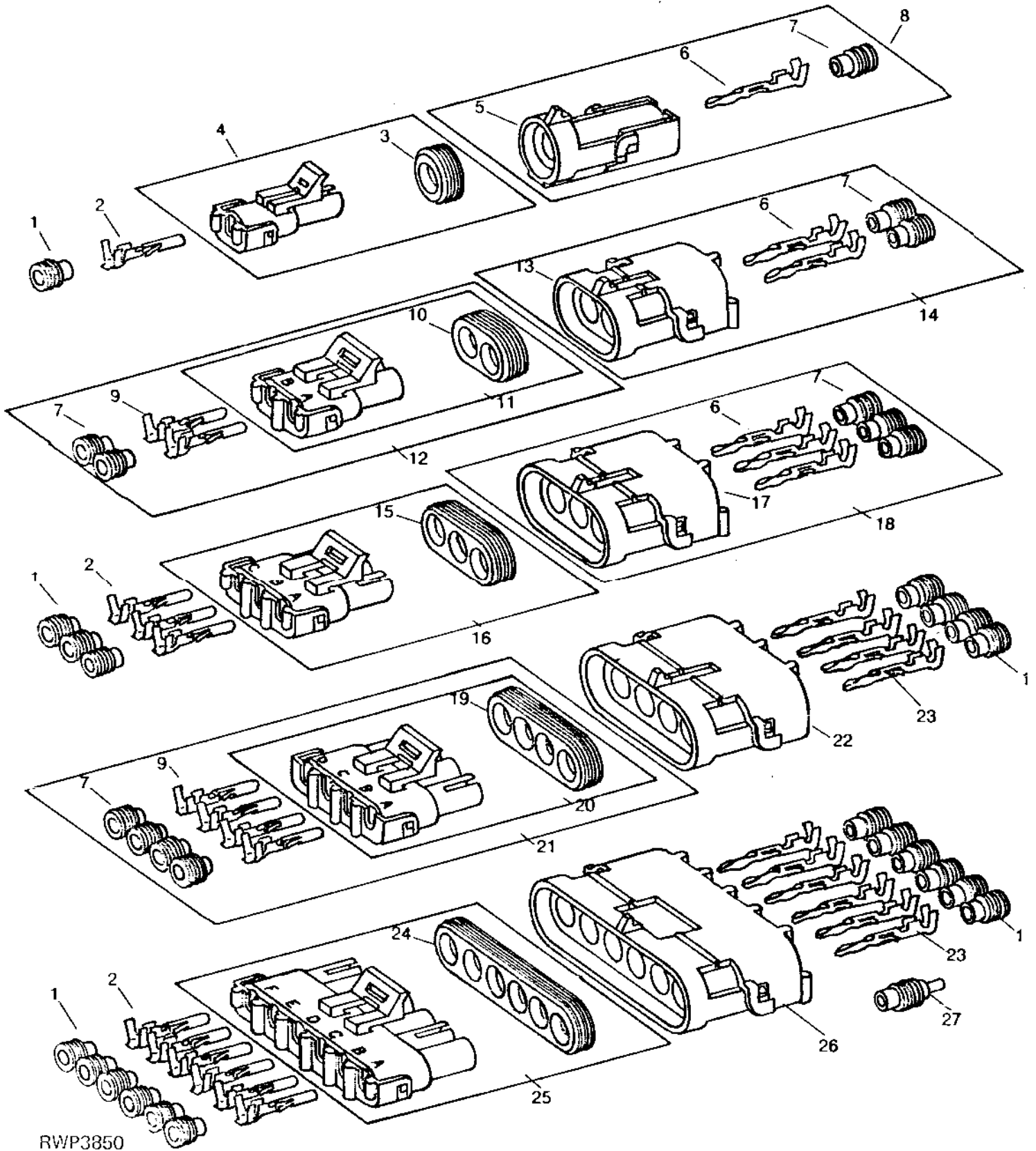
CENTRAL ELECTRONICS MODULE AND CIRCUIT BOARDS - CONTINUED

KEY	PART NO.	PART NAME	QTY	SERIAL NO.	REMARKS
1	AH115943	LATCH	2		
2	H124206	COVER	1		
3	H144242	SEAL	1		
4	AH140078	CIRCUIT BOARD	1	-655100	(SUB FOR H133728) (SUB AH145699) (SUB FOR AH134447, AH132208 OR AH140078) POWER; ADAPTER HARNESS AH144381 PLUS TWO ADAPTER AH106612 RELAYS MUST BE ORDERED WITH AH143711 POWER CIRCUIT BOARD WHEN INSTALLED ON COMBINES WITH SERIAL NUMBERS UNDER 655100 IN COMBINATION WITH EXISTING L.H. MAIN HARNESS AND FAN SPEED ADJUST FAN. ADAPTER HARNESS AH144382 MUST BE ORDERED WITH AH143711 POWER CIRCUIT BOARD AND AH143903 FAN SPEED ADJUST MOTOR WHEN INSTALLED ON COMBINES WITH SERIAL NUMBERS UNDER 655100 IN COMBINATION WITH EXISTING L.H. MAIN HARNESS.
	AH145699	CIRCUIT BOARD	1		(SUB FOR AH143711) POWER (W/O RELAYS AND CIRCUIT BREAKERS)
	AH136356	SCREW AND WASHER KIT	2		
5	AH122139	CIRCUIT BREAKER	5		
6	AH127677	CIRCUIT BREAKER	7		
7	AH106612	RELAY	13		
8	14M7303	FLANGE NUT	4		M6
9	H124205	BOX	1		
10	AH137238	CIRCUIT BOARD	1	-642100	SHAFT SPEED (SEE OVERHEAD CONSOLE PANEL) (SUB FOR AH125485)
11	AH145964	CIRCUIT BOARD	1		(SUB FOR AH128397, AH142442 OR AH144433) REEL SPEED
12	AH136498	CIRCUIT BOARD	1	-655118	(SUB FOR AH130102) (SUB AH145701) (DIAL-A-MATIC)
	AH145701	CIRCUIT BOARD	1	655119-660100	(SUB FOR AH143745) (W/O CONTOUR MASTER) DIAL-A-MATIC
	AH137147	CIRCUIT BOARD	1	660101-	(W/CONTOUR MASTER)
..	BH79485	COMPLETE GOODS/SHIP. BUNDLE	1		DIAL-A-SPEED CONTROL

2F23

ELECTRICAL

WEATHERPACK TERMINALS AND CONNECTORS
RWP3850 -UN-01JAN94



RWP3850

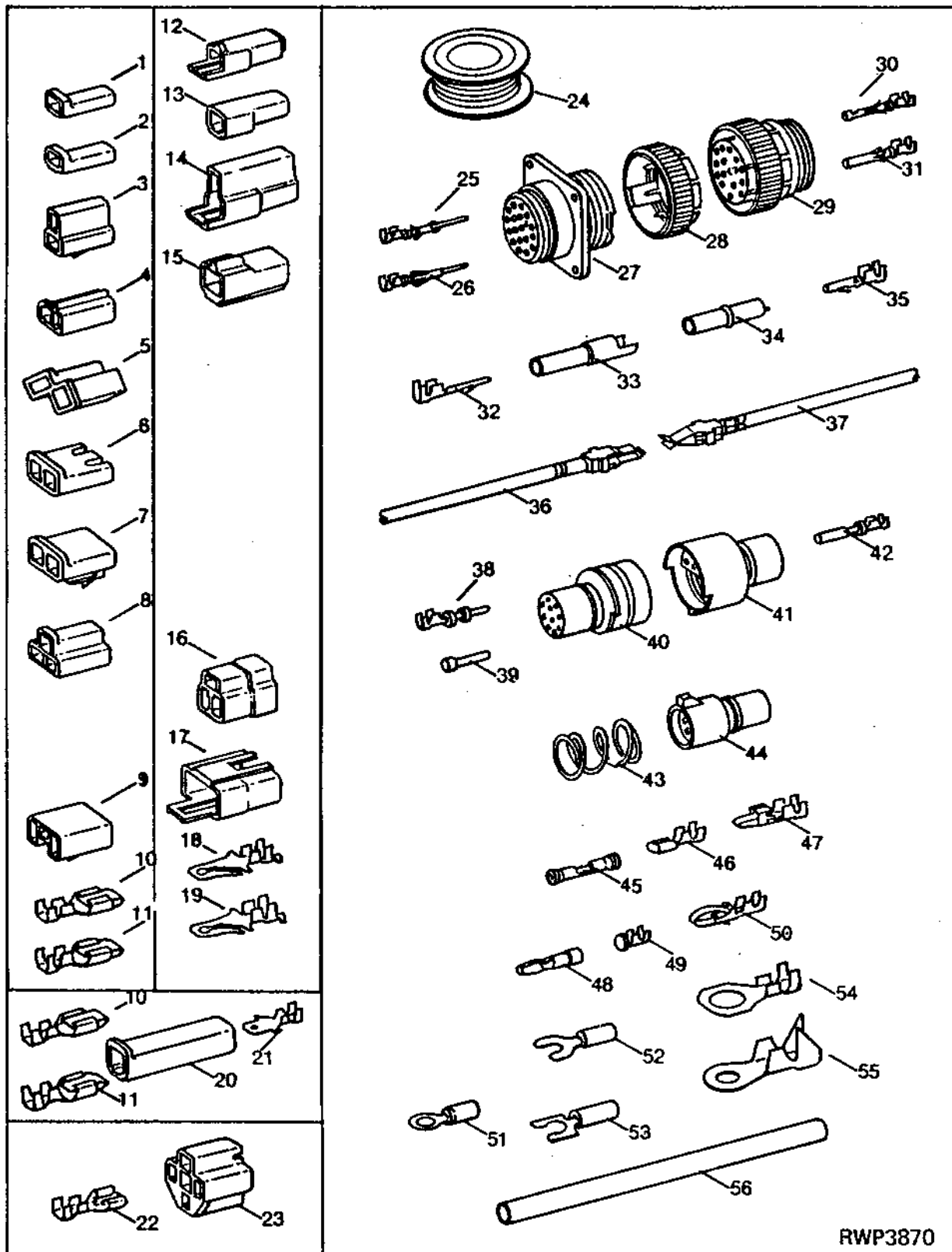
WEATHERPACK TERMINALS AND CONNECTORS - CONTINUED

KEY	PART NO.	PART NAME	QTY	SERIAL NO.	REMARKS
1	R78063	TERMINAL NIPPLE	1		(PKG. OF 40) (16 GA. WIRE) (GRAY)
	R78059	ELECTRICAL PLUG	1		(PKG. OF 40) (18 OR 20 GA. WIRE) (GREEN)
	R78062	TERMINAL NIPPLE	1		(PKG. OF 40) (14 GA. WIRE) (BLUE)
2	R78057	SOCKET CONTACT	1		(PKG. OF 40) (18 OR 20 GA. WIRE) (NO. 19)
	R78060	SOCKET CONTACT	1		(PKG. OF 40) (14 OR 16 GA. WIRE) (NO. 15)
3	R78047	SEAL	1		(PKG. OF 5)
4	RE12362	CONNECTOR	1		(PKG. OF 3)
5	R78052	PIN CONTACT CONNECTOR BODY	1		(PKG. OF 3)
6	R78061	PIN CONTACT	1		(PKG. OF 40) (14 OR 16 GA. WIRE) (NO. 15)
7	R78063	TERMINAL NIPPLE	1		(PKG. OF 40) (16 GA. WIRE) (GRAY)
8	RE12334	CONNECTOR	1		
9	R78060	SOCKET CONTACT	1		(PKG. OF 40) (14 OR 16 GA. WIRE) (NO. 15)
10	R78048	TERMINAL NIPPLE	1		(PKG. OF 5)
11	RE12363	CONNECTOR	1		(PKG. OF 3)
12	RE12331	CONNECTOR	1		
13	R78053	PIN CONTACT CONNECTOR BODY	1		(PKG. OF 3)
14	RE12330	CONNECTOR	1		
15	R78049	SEAL	1		(PKG. OF 5)
16	RE12364	SOCKET CONT.CONNECTOR BODY	1		(PKG. OF 3)
17	R78054	PIN CONTACT CONNECTOR BODY	1		(PKG. OF 3)
18	RE12332	CONNECTOR	1		
19	R78050	SEAL	1		(PKG. OF 5)
20	RE12365	CONNECTOR	1		(PKG. OF 2)
21	RE12333	CONNECTOR	1		
22	R78055	PIN CONTACT CONNECTOR BODY	1		(PKG. OF 2)
23	R78061	PIN CONTACT	1		(PKG. OF 40) (14 OR 16 GA. WIRE) (NO. 15)
	R78058	PIN CONTACT	1		(PKG. OF 40) (18 OR 20 GA. WIRE) (NO. 19)
24	R78051	SEAL	1		(PKG. OF 5)
25	RE12366	CONNECTOR	1		(PKG. OF 2)
26	R78056	PIN CONTACT CONNECTOR BODY	1		(PKG. OF 2)
27	R78064	ELECTRICAL PLUG	1		(PKG. OF 40)

2G1

ELECTRICAL

ELECTRICAL CONNECTOR SERVICE KIT
RWP3870 -UN-01JAN94



ELECTRICAL CONNECTOR SERVICE KIT - CONTINUED

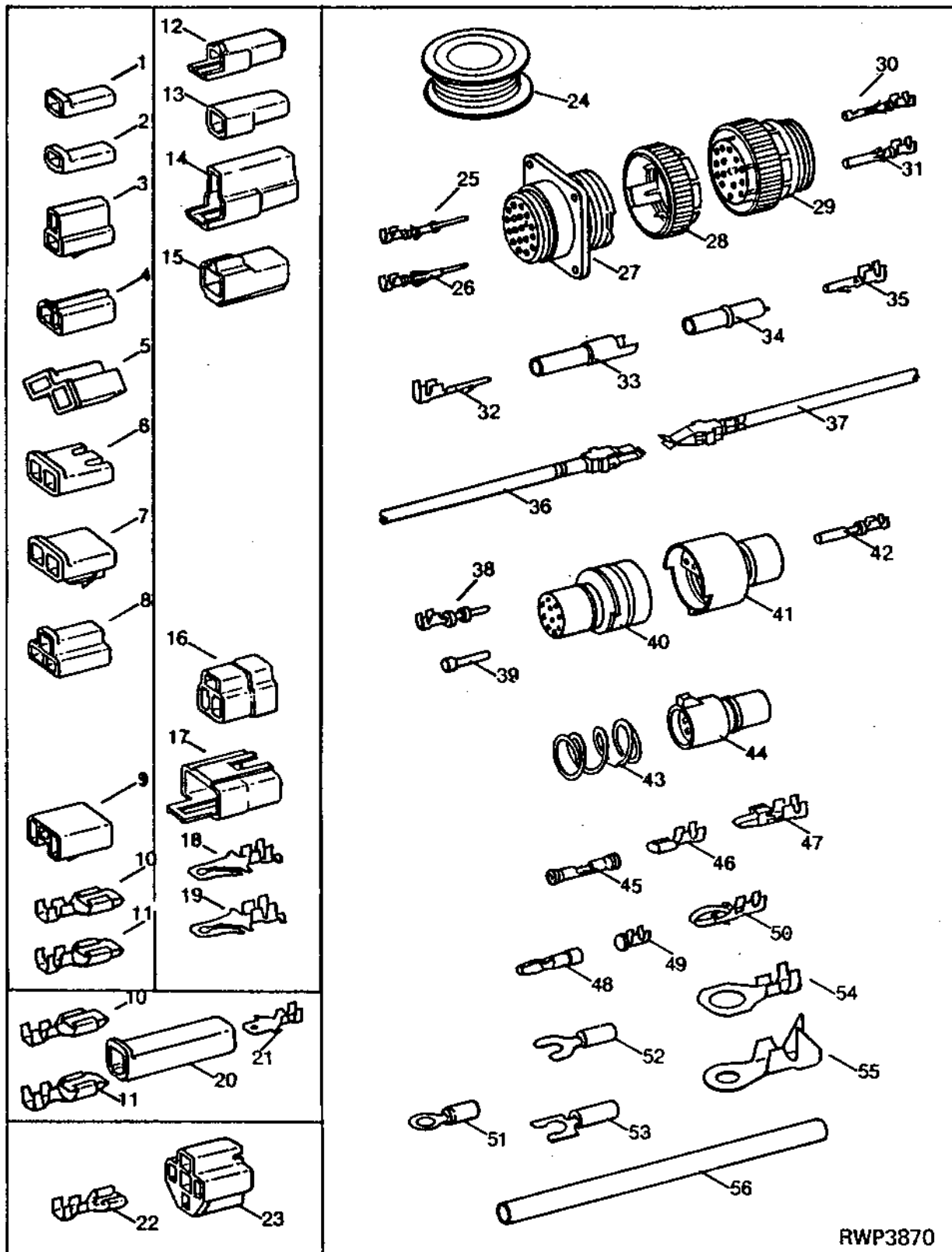
KEY	PART NO.	PART NAME	QTY	SERIAL NO.	REMARKS
1	T28583	RECEPTACLE CONNECTOR BODY	1	(B)	
2	M43835	FLAT CONNECTOR	1	(B)	
3	R77476	CONNECTOR	1	(A)	
4	R77477	RECEPTACLE CONNECTOR BODY	1	(A)	
5	R77479	CONNECTOR	1	(A)	
6	R77480	RECEPTACLE CONNECTOR BODY	1	(A)	
7	R77481	CONNECTOR	1	(A)	
8	R77482	CONNECTOR	1		
9	H104855	RECEPTACLE CONNECTOR BODY	1		
10	U46662	TERMINAL	1	(E) (F)	
11	N115096	TERMINAL	1	(G) (PKG. OF 15)	
12	T28585	TAB CONNECTOR BODY	1	(B)	
13	R77475	CONNECTOR	1	(B)	
14	T28586	CONNECTOR	1	(A)	
15	R77478	CONNECTOR	1	(A)	
16	R77483	CONNECTOR	1		
17	R48887	TAB CONNECTOR BODY	1		
18	T34067	TERMINAL	1	(E) (F)	
19	R77484	TERMINAL	1	(D) (G) (PKG. OF 15)	
20	U46370	CONNECTOR	1	(B)	
21	R77485	TAB	1	(C) (F)	
22	R77486	TERMINAL	1	(E)	
23	R77487	CONNECTOR	1	(B)	
24	R66321	WIRING LEAD	1	15M (50 FT.) 10 GA.	
	R66320	WIRING LEAD	1	30.5M (100 FT.) 12 GA.	
	R77501	WIRE	1	30.5M (100 FT.) 14 GA.	
	R77500	WIRE	1	30.5M (100 FT.) 16 GA.	
	R77499	WIRE	1	30.5M (100 FT.) 18 GA. (SUB TY16086)	
	TY16086	WIRE	1		
	R77498	WIRE	1	30.5M (100 FT.) 20 GA.	
25	R77462	PIN CONTACT	1	(PKG. OF 40) 20-22 OR 24 GA. WIRE	
26	R77464	PIN CONTACT	1	(H) (PKG. OF 50)	
27	R77456	RECEPTACLE	1	(37 WAY)	
28	R77458	CONNECTOR	1	(A) SIZE 23	
	R77459	CONNECTOR	1	(A) SIZE 17	
	R77460	CONNECTOR	1	(A) SIZE 13	
	R77461	CONNECTOR	1	(A) SIZE 11	
29	R77457	ELECTRICAL PLUG	1	37 WAY	
30	R77463	SOCKET CONTACT	1	(PKG. OF 40) 20-22 OR 24 GA. WIRE	
31	R77465	SOCKET CONTACT	1	(H) (PKG. OF 50)	
32	R77468	TERMINAL	1	(PKG. OF 5) 18 GA.	
33	R77466	CONNECTOR	1	(A)	
34	R77467	CONNECTOR	1	(A)	

- (A) PKG. OF 2
- (B) PKG. OF 3
- (C) PKG. OF 10
- (D) PKG. OF 20
- (E) PKG. OF 25
- (F) 14 OR 16 GA. WIRE
- (G) 10 OR 12 GA. WIRE
- (H) 14-16 OR 18 GA. WIRE

2G3

ELECTRICAL

ELECTRICAL CONNECTOR SERVICE KIT
RWP3870 -UN-01JAN94



ELECTRICAL CONNECTOR SERVICE KIT - CONTINUED

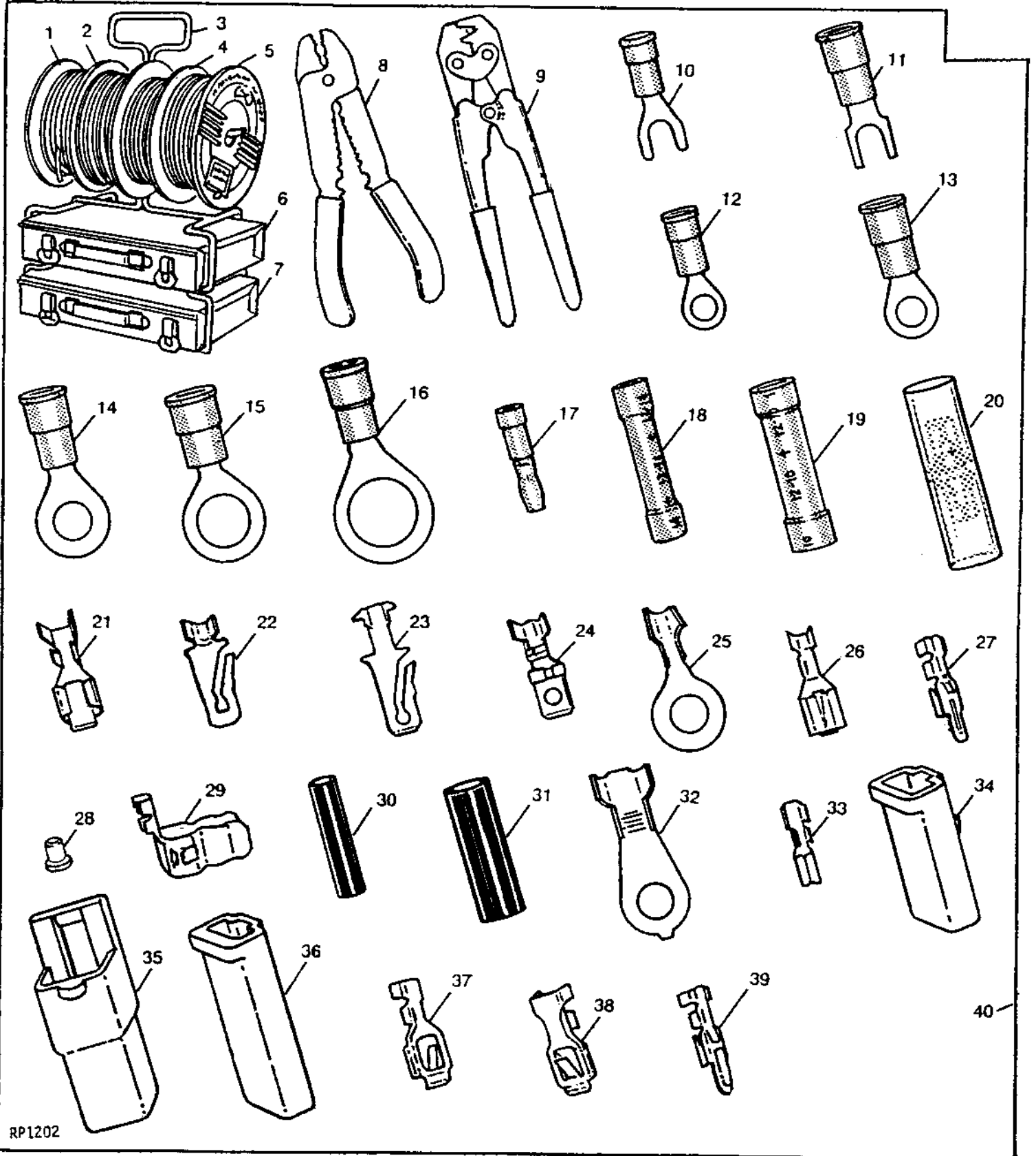
KEY	PART NO.	PART NAME	QTY	SERIAL NO.	REMARKS
35	R77469	TERMINAL	1		(PKG. OF 5) 18 GA.
36	RE11156	TERMINAL	1		(B) MALE
37	RE11157	TERMINAL	1		(B) FEMALE
38	R70222	PIN CONTACT	1		(D) (H)
39	R70221	ELECTRICAL PLUG	1		(E)
40	R70219	PLUG	1		(PKG. OF (2) R70218 AND (2) R70219) 10 WAY
	R70217	PLUG	1		(PKG. OF (2) R70216 AND (2) R70217) 7 WAY
	R70215	PLUG	1		(PKG. OF (2) R70214 AND (2) R70215) 4 WAY
	R70213	PIN CONTACT CONNECTOR BODY	1		(PKG. OF (2) R70212 AND (2) R70213) 3 WAY
	R70211	CONNECTOR	1		(PKG. OF (2) R70210 AND (2) R70211) 2 WAY
41	R70218	RECEPTACLE	1		ORDER R70219 WHICH CONTAINS (2) R70218 AND (2) R70219
	R70216	RECEPTACLE	1		ORDER R70217 WHICH CONTAINS (2) R70216 AND (2) R70217
	R70214	RECEPTACLE	1		ORDER R70215 WHICH CONTAINS (2) R70214 AND (2) R70215
	R70212	RECEPTACLE	1		ORDER R70213 WHICH CONTAINS (2) R70212 AND (2) R70213
	R70210	RECEPTACLE	1		(ORDER R70211) ORDER R70211 WHICH CONTAINS (2) R70210 AND (2) R70211
42	AR91793	SOCKET CONTACT	1		(D)
43	R30378	SPRING	1		(C)
44	R77474	CONNECTOR	1		(A) 6 WAY
45	R77470	TERMINAL	1		SPLICE (PKG. OF 15) 16-18-20 OR 22 GA. WIRE
	R77471	TERMINAL	1		(C) (G) SPLICE
	R77472	TERMINAL	1		(A) SPLICE (8 GA. WIRE)
	R77473	TERMINAL	1		(A) SPLICE (6 GA. WIRE)
46	R65607	TERMINAL	1		(C) (18 OR 20 GA. WIRE)
47	U46664	TERMINAL	1		(C) (F)
48	R32026	TERMINAL	1		(D) (F)
49	R65602	SOCKET CONTACT	1		(C) 16 OR 18 GA. WIRE
50	R70220	TERMINAL	1		(C) 18 OR 20 GA. WIRE
51	R77489	TERMINAL	1		(D) 14-16-18 OR 20 GA. WIRE; NO. 10 EYELET
	R77493	TERMINAL	1		(D) (G) NO. 10 EYELET
	R77488	TERMINAL	1		(D) 14-16-18 OR 20 GA. WIRE; 3/8" EYELET
	R77490	TERMINAL	1		(D) (G) (1/2" EYELET)
52	R77496	TERMINAL	1		(D) (F) NO. 8 SPADE
	R77495	TERMINAL	1		(D) 18 GA. WIRE; NO. 10 SPADE
53	R77497	TERMINAL	1		(D) (F) NO. 6 SPADE
54	R77491	TERMINAL	1		(D) (G) 3/8" EYELET
	R77492	TERMINAL	1		(D) (G) 1/4" EYELET
55	R77494	TERMINAL	1		(D) 6 OR 8 GA. WIRE; 1/4" EYELET
56	R77502	TUBE	1		(PKG. OF 8) 3/8", HEAT SHRINK
	R77503	TUBE	1		(PKG. OF 8) 3/16", HEAT SHRINK
57	RE11154	KIT	1	-650373	(SUB PM797NA)
	PM797NA	KIT	1		

- (A) PKG. OF 2
- (B) PKG. OF 3
- (C) PKG. OF 10
- (D) PKG. OF 20
- (E) PKG. OF 25
- (F) 14 OR 16 GA. WIRE
- (G) 10 OR 12 GA. WIRE
- (H) 14-16 OR 18 GA. WIRE

2G5

ELECTRICAL

TERMINAL AND WIRING KIT
RP1202 -UN-12SEP95



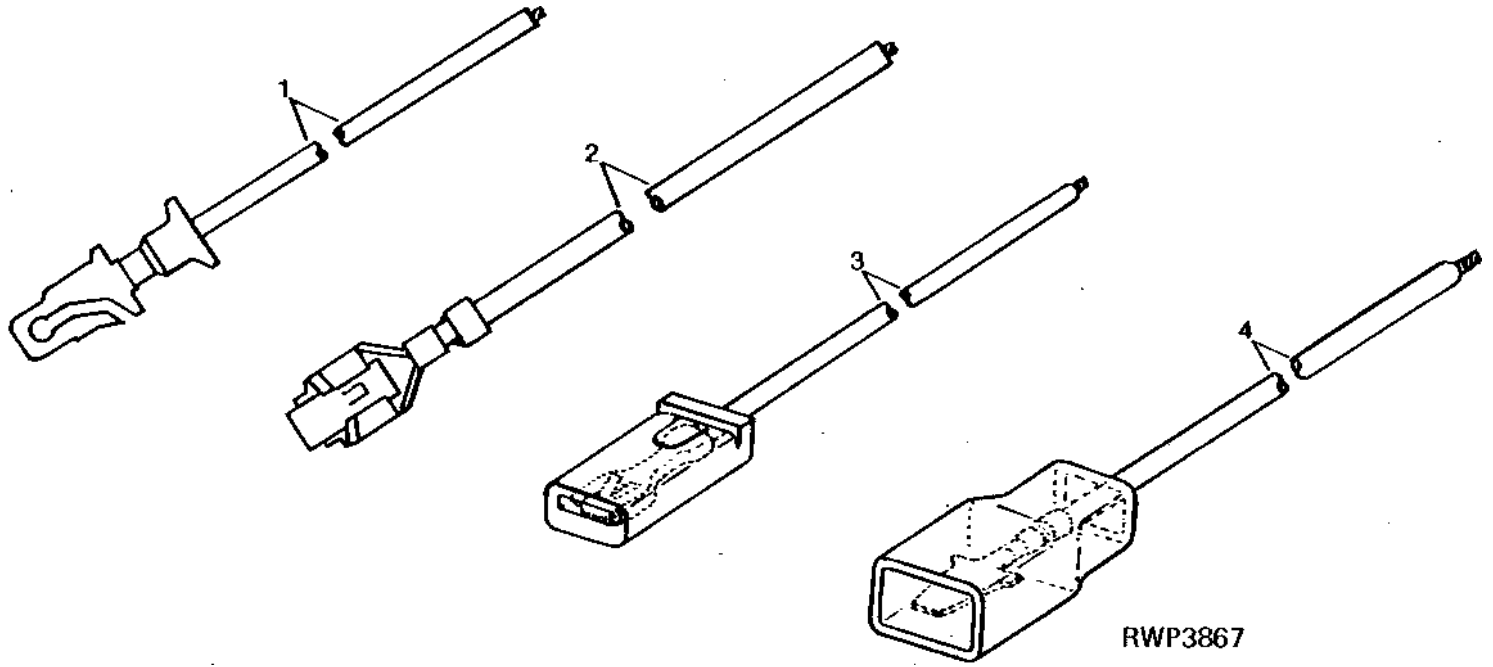
RP1202

TERMINAL AND WIRING KIT - CONTINUED

KEY	PART NO.	PART NAME	QTY	SERIAL NO.	REMARKS
1	R66319	WIRING LEAD	1		PRIMARY, 14 GA., 30,480 MM (100') (1 SPOOL)
2	R65593	WIRING LEAD	1		PRIMARY, 16 GA., 30,480 MM (100') (1 SPOOL)
3	R65608	RACK	1		
4	R66321	WIRING LEAD	1		PRIMARY, 10 GA., 15,240 MM (50') (1 SPOOL)
5	R66320	WIRING LEAD	1		PRIMARY, 12 GA., 30,480 MM (100') (1 SPOOL)
6	R65609	CONTAINER	1		32 COMPARTMENT
7	R65610	CONTAINER	1		11 COMPARTMENT
8	R32011	TOOL	1		WIRING, STRIPPING
9	R65594	TOOL	1		WIRING, CRIMPING
10	R32016	TERMINAL	1		PRIMARY, 14-16 GA., NO. 10 SPADE
11	R32017	TERMINAL	1		PRIMARY, 10-12 GA., NO. 10 SPADE
12	R32018	TERMINAL	1		PRIMARY, 14-16 GA., NO. 10 EYELET
13	R32019	TERMINAL	1		PRIMARY, 10-12 GA., NO. 10 EYELET
14	R32021	TERMINAL	1		PRIMARY, 10-12 GA., 1/4" EYELET
15	R32022	TERMINAL	1		PRIMARY, 10-12 GA., 3/8" EYELET
16	R32023	TERMINAL	1		PRIMARY, 10-12 GA., 1/2" EYELET
17	R32026	TERMINAL	1		MALE BULLET
18	R32027	CONNECTOR	1		SPLICE, 14-16 GA.
19	R32028	TERMINAL	1		SPLICE, 10-12 GA.
20	R32029	TERMINAL	1	-610700	(SUB AL2976T, THIS APPLICATION)
	AL2976T	CONNECTOR	1		2-WIRE BULLET CONNECTOR
21	R65595	TERMINAL	1		FEMALE, 10 GA.
22	R65596	TERMINAL	1		MALE, 10 GA., OR TWO 14 GA. CABLES
23	R65597	TERMINAL	1		MALE, 14-16 GA.
24	R65598	TERMINAL	1		MALE, SHORT, 14-16 GA.
25	R65599	TERMINAL	1		14-16 GA., 1/4" EYELET
26	R65600	TERMINAL	1		FEMALE, 14-16 GA.
27	R65601	TERMINAL	1		TWIN-LOCK, TWO 16 GA. CABLES
28	R65602	SOCKET CONTACT	1		BULB SOCKET, 16-18 GA.
29	R65603	TERMINAL NIPPLE	1		FUSE
30	R65604	INSULATING SLEEVE	1		14-18 GA.
31	R65605	INSULATING SLEEVE	1		8-12 GA.
32	R65606	TERMINAL	1		6-8 GA., 1/4" EYELET
33	R65607	TERMINAL	1		18-20 GA.
34	T28583	RECEPTACLE CONNECTOR BODY	1		ONE CONTACT LOCK-TYPE, MALE
35	T28585	TAB CONNECTOR BODY	1		ONE CONTACT LOCK-TYPE, FEMALE
36	U46370	CONNECTOR	1		ONE CONTACT SINGLE BODY, MALE
37	U46662	TERMINAL	1		CONNECTOR, ONE CONTACT SINGLE BODY, MALE
38	U46663	TERMINAL	1		MALE
39	U46664	TERMINAL	1		MALE
40	PM797NA	KIT	1		(SUB FOR AR84006 OR RE11154)

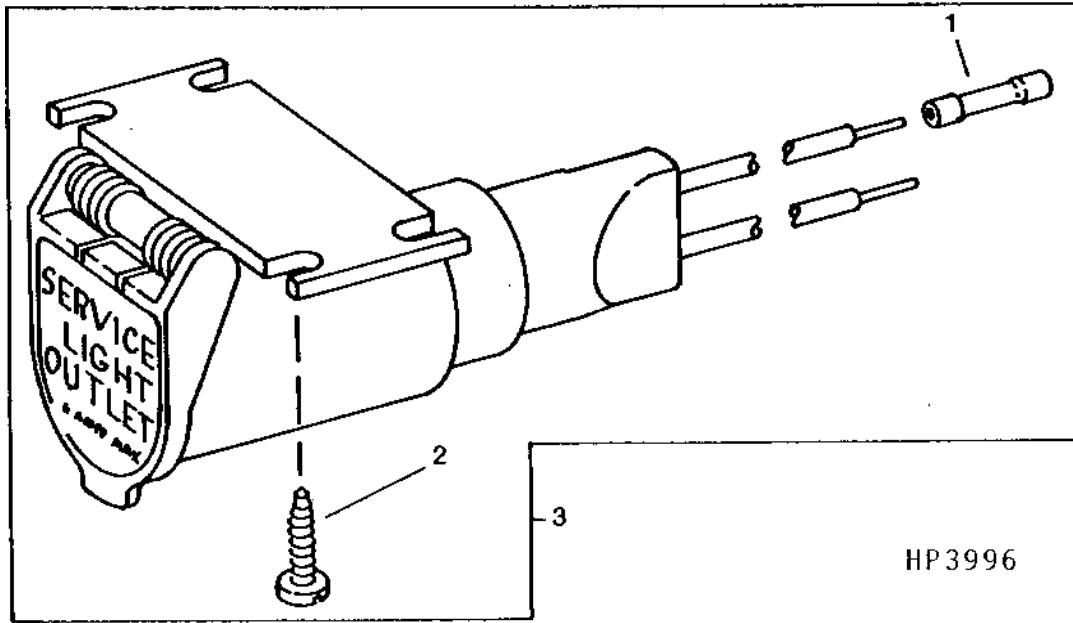
SUPPLEMENTARY TERMINALS AND CONNECTORS

RWP3867 -UN-01JAN94



KEY	PART NO.	PART NAME	QTY	SERIAL NO.	REMARKS
1	AR65005	TERMINAL	1		
2	AR65006	TERMINAL	1		
3	R32024	WIRING LEAD	1		
4	R32025	WIRING LEAD	1		

ELECTRICAL SERVICE OUTLET
 HP3996 -UN-01JAN94



HP3996

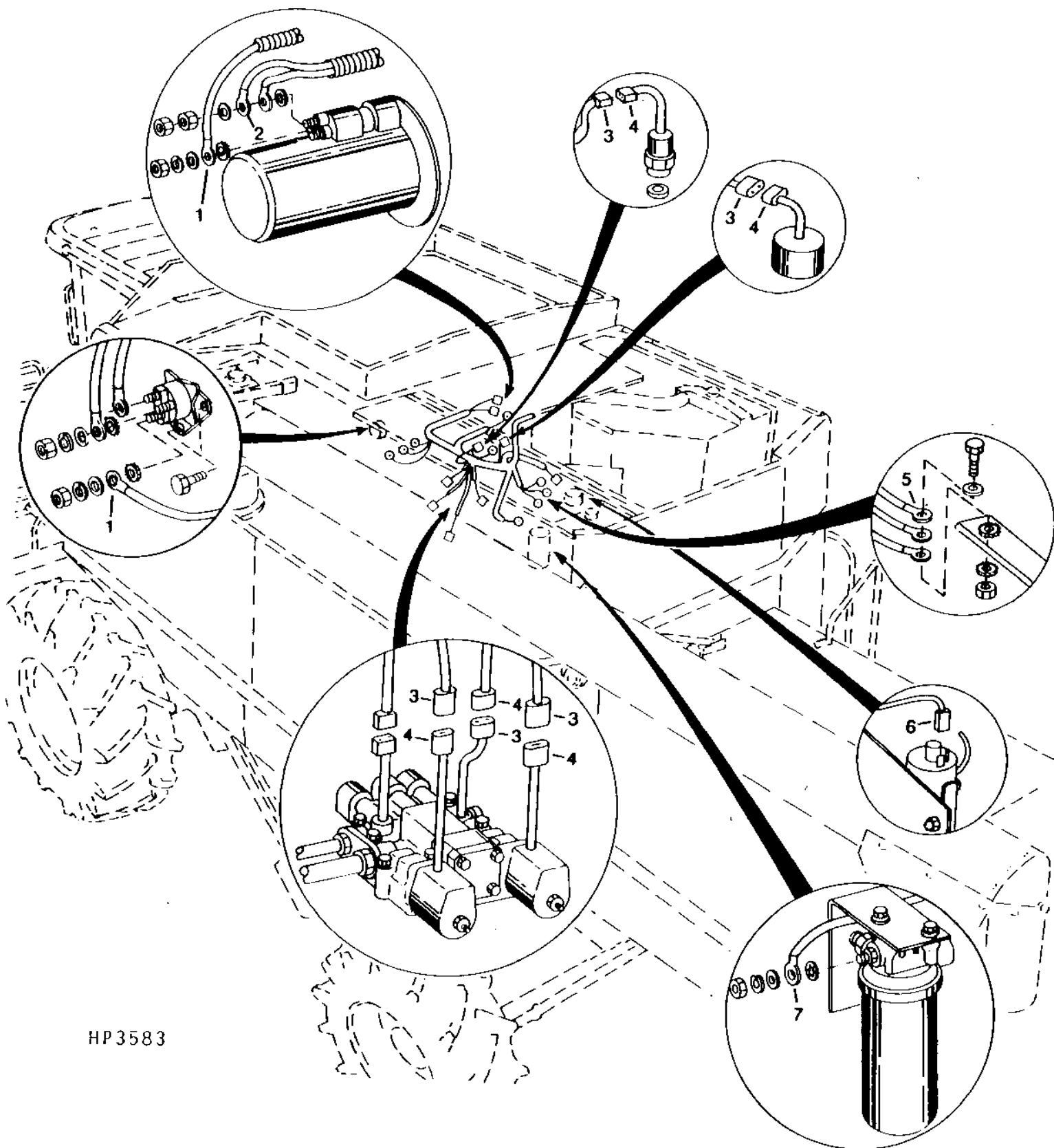
KEY	PART NO.	PART NAME	QTY	SERIAL NO.	REMARKS
1	R32027	CONNECTOR	2		
2	37M7060	SCREW	2	M4 X 10	
3	AH135821	SOCKET OUTLET	1		

2G9

ELECTRICAL

LOWER HARNESS CONNECTORS FOR 6359 ENGINE

HP3583 -UN-01JAN94



HP3583

2G10

ELECTRICAL

LOWER HARNESS CONNECTORS FOR 6359 ENGINE - CONTINUED

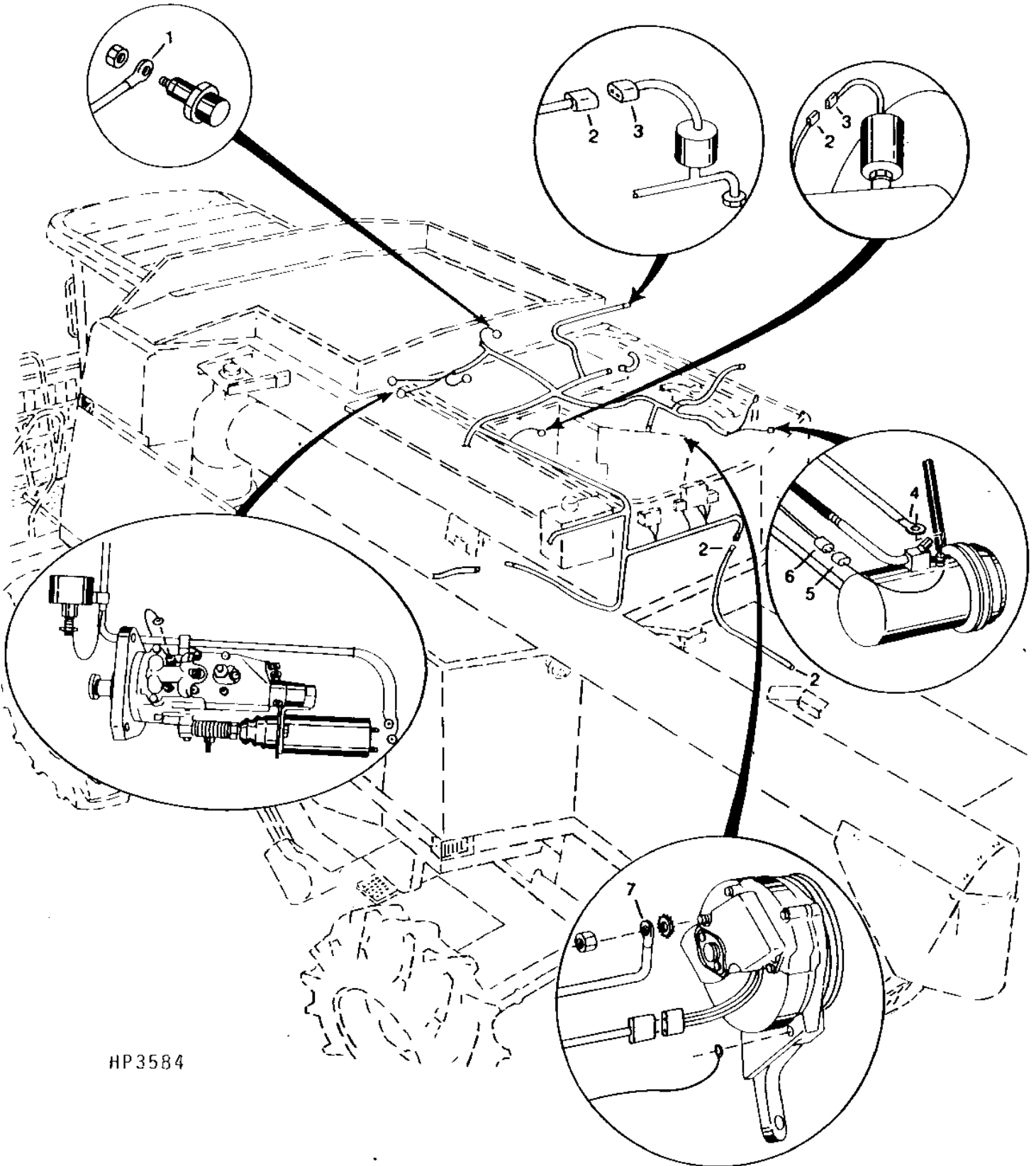
KEY	PART NO.	PART NAME	QTY	SERIAL NO.	REMARKS
1	R77493	TERMINAL	1		
2	R77491	TERMINAL	1		
3	RE12363	CONNECTOR	1		(PKG OF 3)
	R78048	TERMINAL NIPPLE	1		(PKG OF 5)
	R78060	SOCKET CONTACT	1		(PKG OF 40)
	R78063	TERMINAL NIPPLE	1		(PKG OF 40)
4	R78053	PIN CONTACT CONNECTOR BODY	1		(PKG OF 3)
	R78061	PIN CONTACT	1		(PKG OF 40)
	R78063	TERMINAL NIPPLE	1		(PKG OF 40)
5	57M7111	TERMINAL	1		
6	R77479	CONNECTOR	1		
	U46662	TERMINAL	1		
7	R77489	TERMINAL	1		

2G11

ELECTRICAL

UPPER HARNESS CONNECTORS FOR 6359 ENGINE

HP3584 -UN-01JAN94



HP3584

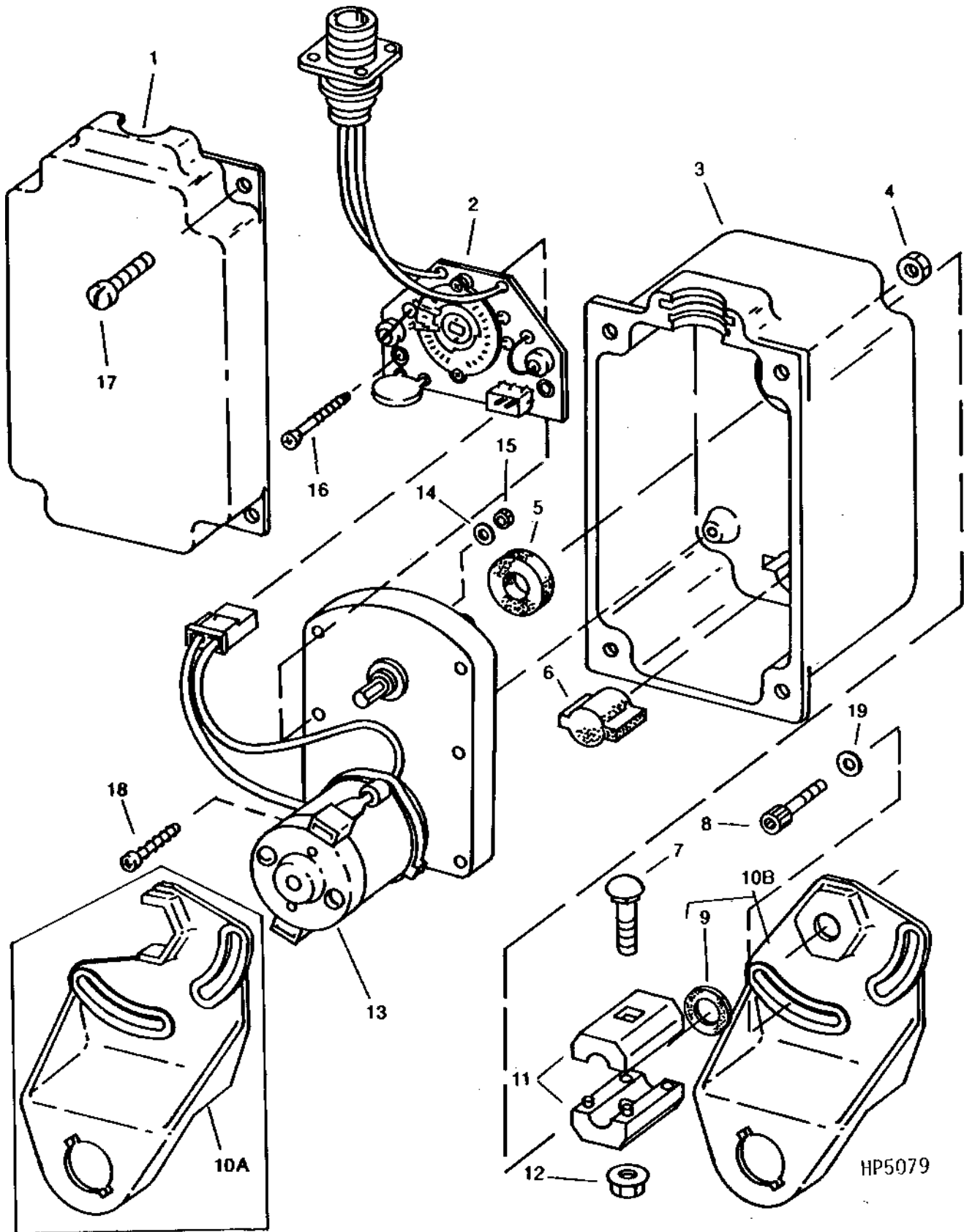
UPPER HARNESS CONNECTORS FOR 6359 ENGINE - CONTINUED

KEY	PART NO.	PART NAME	QTY	SERIAL NO.	REMARKS
1	R77489	TERMINAL	1		
2	RE12363	CONNECTOR	1		(PKG OF 3)
	R78060	SOCKET CONTACT	1		(PKG OF 40)
	R78063	TERMINAL NIPPLE	1		(PKG OF 40)
3	R78053	PIN CONTACT CONNECTOR BODY	1		(PKG OF 3)
	R78061	PIN CONTACT	1		(PKG OF 40)
	R78063	TERMINAL NIPPLE	1		(PKG OF 40)
4	R77489	TERMINAL	1		
5	R78052	PIN CONTACT CONNECTOR BODY	1		(PKG OF 3)
	R78061	PIN CONTACT	1		(PKG OF 40)
	R78063	TERMINAL NIPPLE	1		(PKG OF 40)
6	RE12362	CONNECTOR	1		(PKG OF 3)
	R78047	SEAL	1		(PKG OF 5)
	R78060	SOCKET CONTACT	1		(PKG OF 40)
	R78063	TERMINAL NIPPLE	1		(PKG OF 40)
7	R77494	TERMINAL	1		

2G13

ELECTRICAL

REEL SPEED MOTOR AND BRACKET
HP5079 -UN-01JAN94



HP5079

2G14

ELECTRICAL

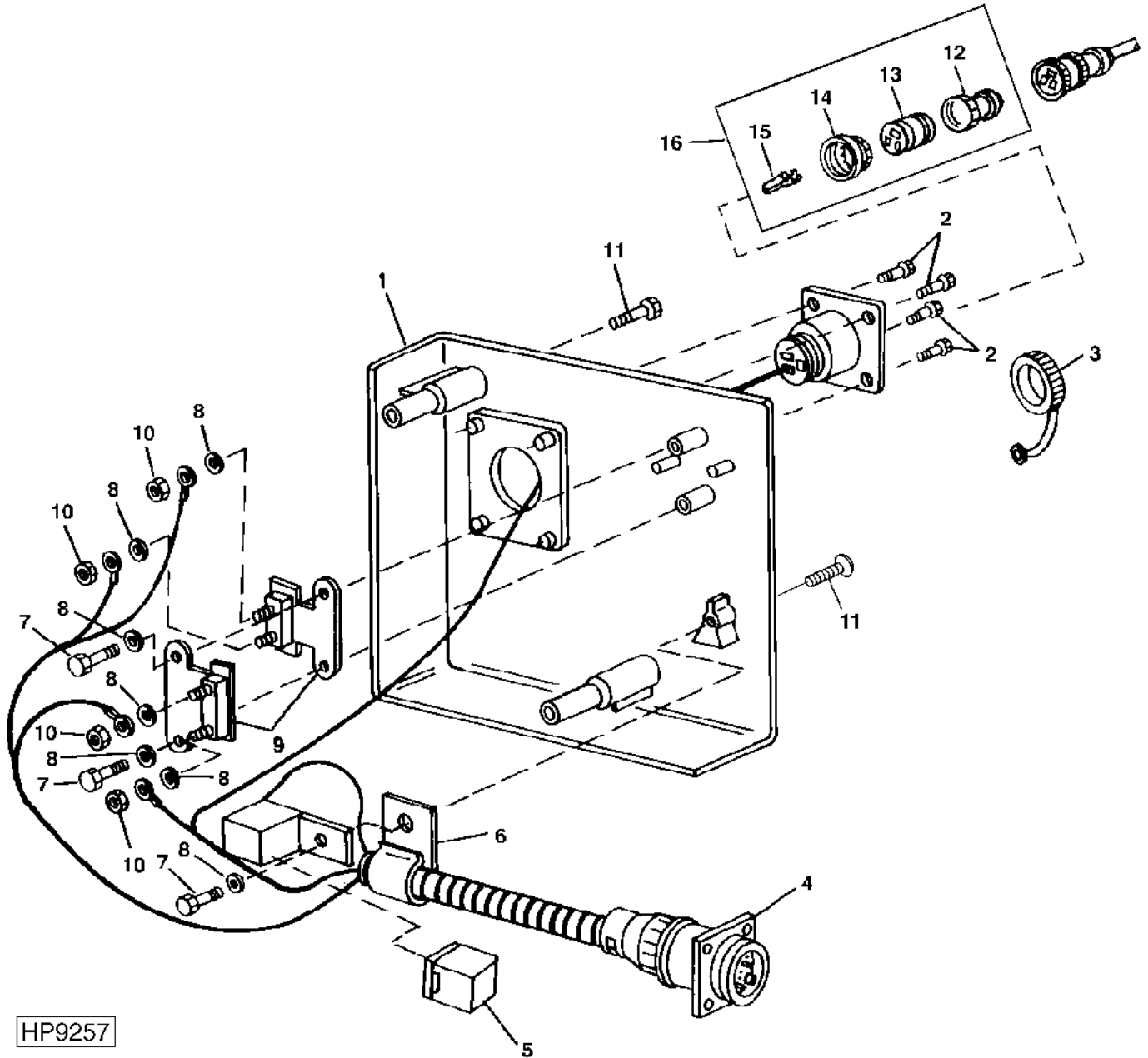
REEL SPEED MOTOR AND BRACKET - CONTINUED

KEY	PART NO.	PART NAME	QTY	SERIAL NO.	REMARKS
1	H133852	BOX	1		
2	AH139987	PRINTED CIRCUIT	1		(SUB FOR AH128849)
3	H133851	BOX	1		
4	14M7139	NUT	4		M4, (SUB FOR (4) 14M7139)
5	M121T	WASHER	1		
6	H133981	SEAL	1		
7	03M7290	BOLT	1		
8	19H2925	SCREW	2		1/4" X 1/2"
9	H146950	WASHER	1	645374-	
10A	H128469	BRACKET	1	-645373	(SUB AH141813)
10B	AH141813	KIT	1		INCS. RUBBER WASHER FOR GREASE
11	H114020	HALF CLAMP	2		
12	14M7397	LOCK NUT	1		
13	AH128865	MOTOR	1		
14	12H314	LOCK WASHER	2		0.138"
15	14H1026	NUT	2		0.138"
16	21H1184	SCREW	2		0.138" X 1-1/8"
17	21M7250	SCREW	4		M4 X 12
18	H144032	SCREW	4		(SUB FOR H144032, THIS APPLICATION)
19	24M7027	WASHER	2		5.300 X 10 X 1 MM

2G15

ELECTRICAL

CONVENIENCE OUTLET
(660101-)
HP9257 -UN-15NOV99



HP9257

2G16

ELECTRICAL

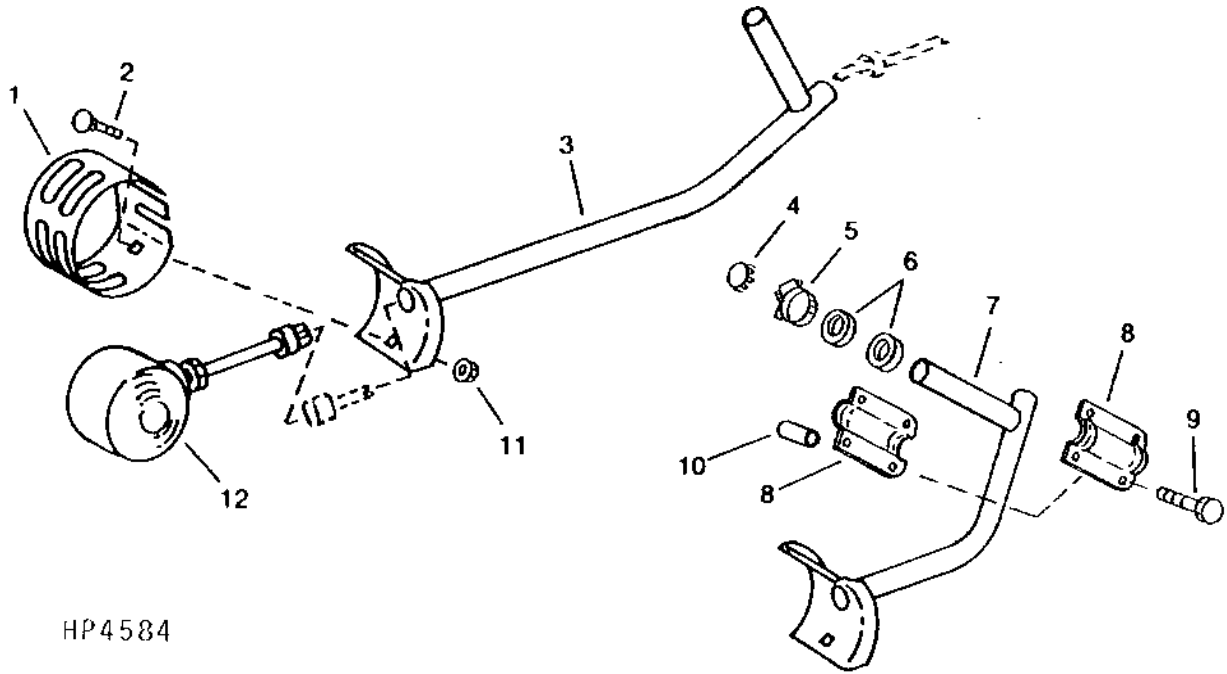
CONVENIENCE OUTLET - CONTINUED
(660101-)

KEY	PART NO.	PART NAME	QTY	SERIAL NO.	REMARKS
1	H151579	BRACKET	1		
2	H111364	SCREW	4		
3	57M7391	INSULATING CAPSULE	1		
4	AH152020	WIRING HARNESS	1		(SUB FOR AH145277)
5	AH106612	RELAY	1		
6	AH89557	CLIP	1		
7	H123998	SCREW	3		
8	12H295	LOCK WASHER	7		4.826 MM (0.190")
9	AR49352	CIRCUIT BREAKER	2		30 AMP
10	14H778	NUT	4		4.826 MM (0.190")
11	19M7595	CAP SCREW	2		M6 X 50
	H132451	CAP SCREW	2	665283-	M6 X 50
12	AE44931	CONNECTOR	1	660179-	
13	AE44929	CONNECTOR	1	660179-	
14	R77459	CONNECTOR	1	660179-	
15	RE11157	TERMINAL	2	660179-	
16	RE37651	PLUG	1	660179-	

2G17

ELECTRICAL

TRANSPORT WARNING LIGHTS
HP4584 -UN-01JAN94



HP4584

2G18

ELECTRICAL

TRANSPORT WARNING LIGHTS - CONTINUED

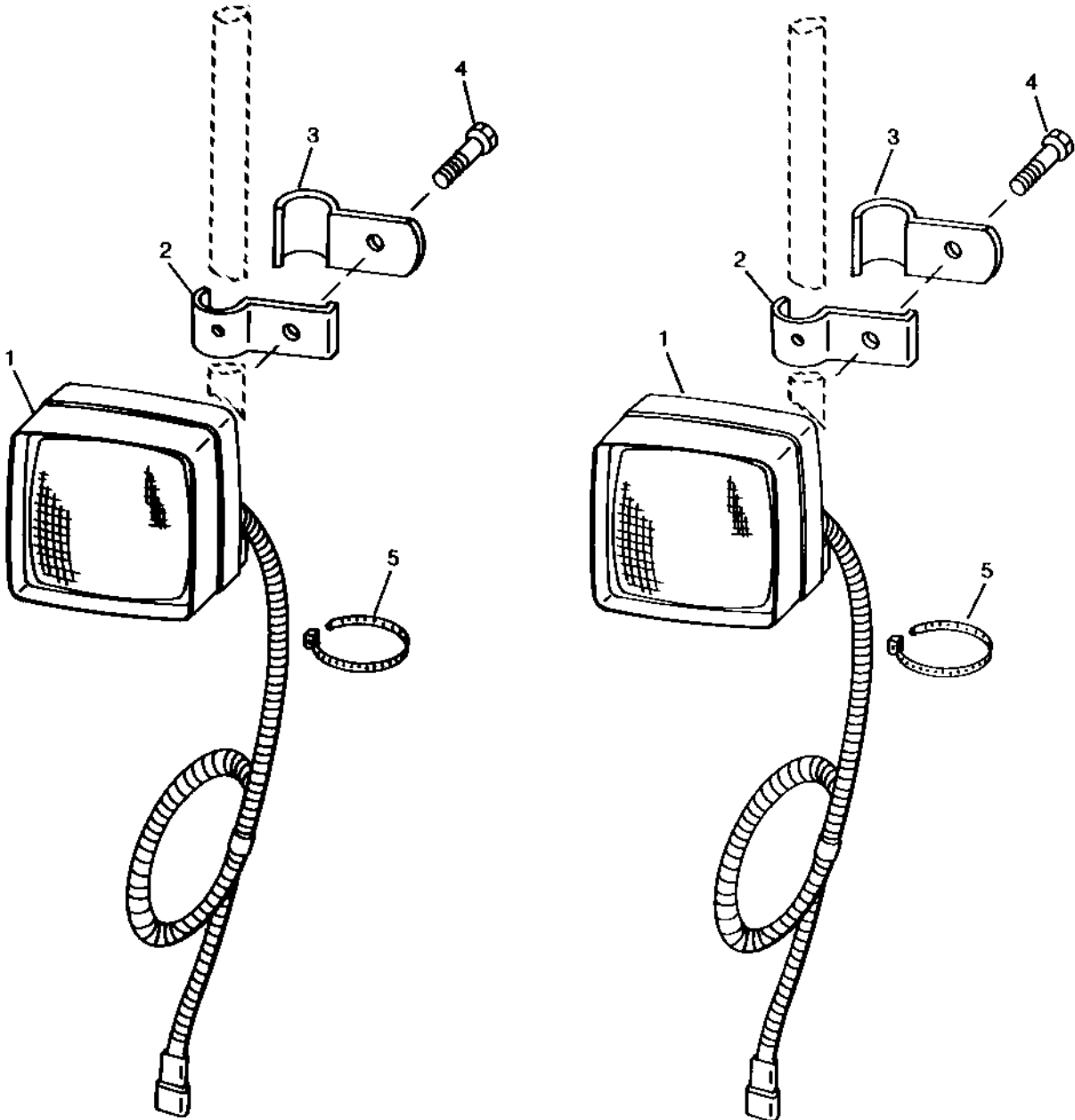
KEY	PART NO.	PART NAME	QTY	SERIAL NO.	REMARKS
1	H143317	SHIELD	1		
2	03M7183	BOLT	4		M8 X 16
3	AH136496	TUBE	2		
4	H106000	PLUG	2		
5	AT18904	CLAMP	2		
6	H136110	ISOLATOR	2		
7	AH136494	TUBE	2		
8	H136109	SUPPORT	4	-670253	
	H161289	CLAMP	4	670254-	
9	19M7863	SCREW	4	-665100	M6 X 25, L.H.
	19M8321	SCREW	4	-665100	M6 X 45, R.H.
	19M7863	SCREW	8		M6 X 25
10	28H1914	BUSHING	4		
11	14M7298	FLANGE NUT	4		M8
12	AH164497	LAMP	2		(SUB FOR AH133316)
..	BH80677	COMPLETE GOODS/SHIP. BUNDLE	1		ASAE LIGHT, RETRO LONG ARM
..	BH80678	COMPLETE GOODS/SHIP. BUNDLE	1		ASAE LIGHT, RETRO SHORT ARM

2G19

ELECTRICAL

FIELD LIGHTS

(660101-)
HP5865 -UN-15OCT94



HP5865

2G20

ELECTRICAL

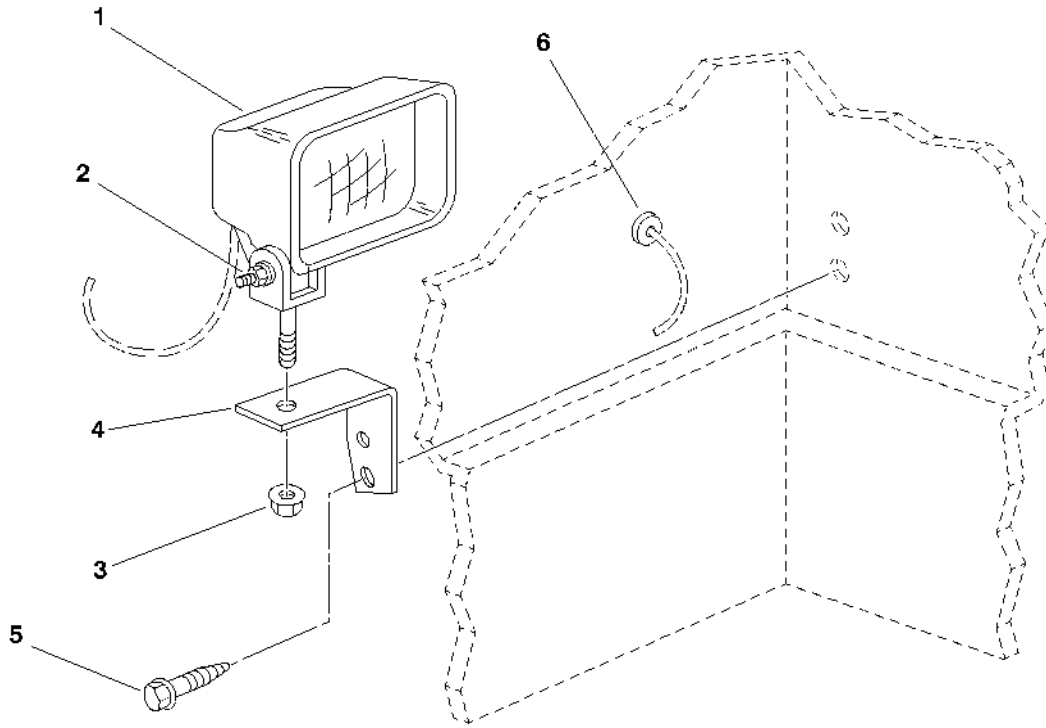
FIELD LIGHTS - CONTINUED
(660101-)

KEY	PART NO.	PART NAME	QTY	SERIAL NO.	REMARKS
1	AH145563	FLOODLAMP	2		(INCLUDES AT130104, T80393 AND (4) T80394)
2	H83790	CLAMP	2		
3	H83791	CLAMP	2		
4	19M7867	SCREW	2		M8 X 25
5	R44302	TIE BAND	2		

2G21

ELECTRICAL

REAR LAMP ASSEMBLY - L.H. SIDE
 HP7290 -UN-08JAN98



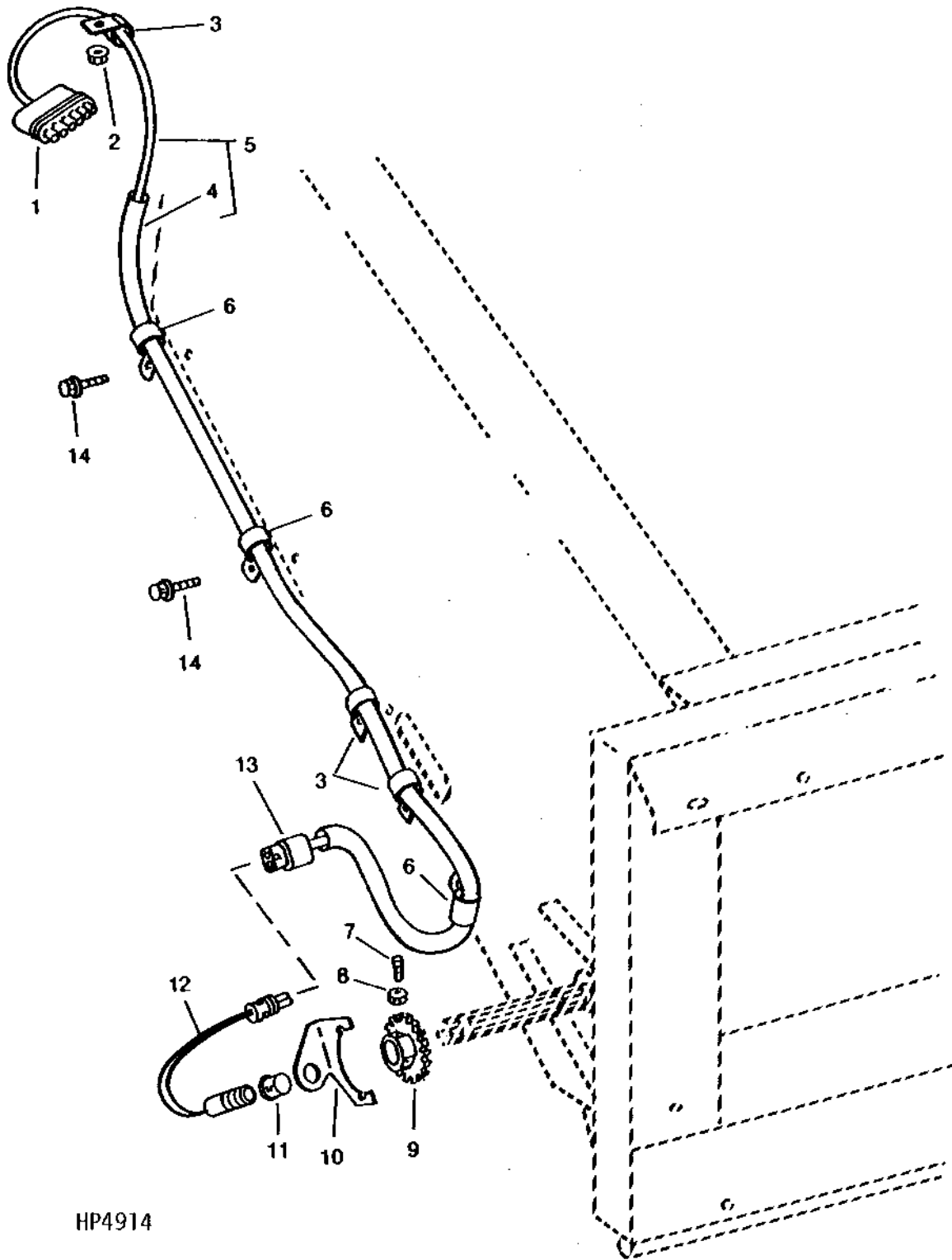
HP7290

KEY	PART NO.	PART NAME	QTY	SERIAL NO.	REMARKS
1	AH158038	FLOODLAMP	1		
	AH165877	BULB	1		
2	19M7298	CAP SCREW	1	M8 X 35	
	14M7298	FLANGE NUT	1	M8	
3	14M7298	FLANGE NUT	1	M8	
4	H164759	BRACKET	1		
5	37M7058	SCREW	2	M8 X 20	
	19M7865	SCREW	2	M8 X 16, (LESS LAMP ASSEMBLY)	
6	H80306	GROMMET	1		
	H164757	PLUG	1	(LESS LAMP ASSEMBLY)	
..	BH81420	COMPLETE GOODS/SHIP. BUNDLE	1	REAR DISCHARGE LIGHTS	

MEMORANDA

FEEDER HOUSE BACKSHAFT SPEED SENSOR

(645123-)
HP4914 -UN-01JAN94



FEEDER HOUSE BACKSHAFT SPEED SENSOR - CONTINUED
(645123-)

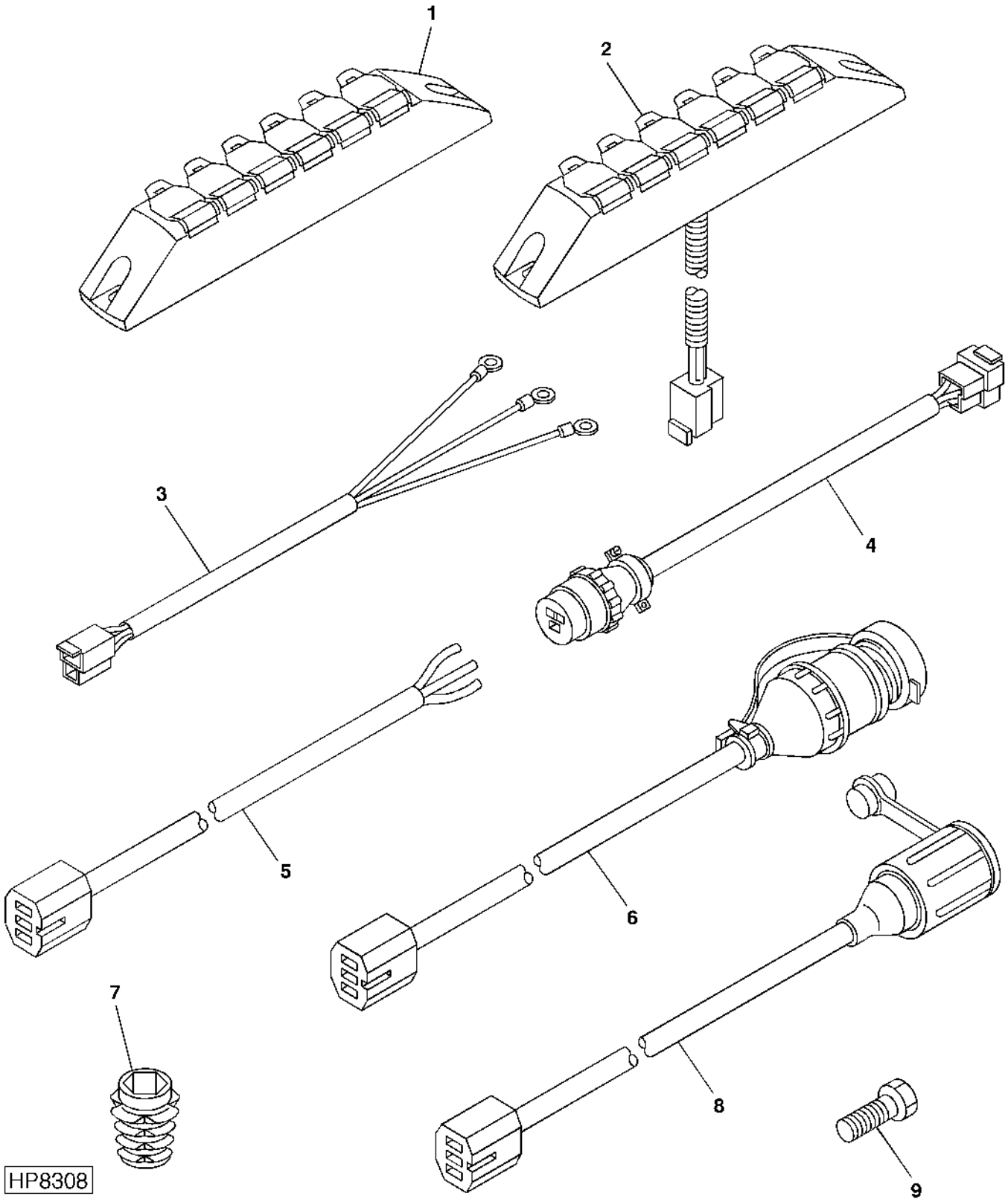
KEY	PART NO.	PART NAME	QTY	SERIAL NO.	REMARKS
1	RE12366	CONNECTOR	1		(PKG OF 2)
	R78051	SEAL	1		(PKG OF 5)
	R78060	SOCKET CONTACT	1		(PKG OF 40)
2	14M7299	FLANGE NUT	1		M12
3	AH77279	CLIP	3		
4	H132800	HOSE	1		
5	AH134288	WIRING HARNESS	1		
6	AH89557	CLIP	3		
7	A50743	BOLT	2		
8	14M7272	NUT	2		M6
9	H135772	WHEEL	1		
	H170634	WHEEL	1		USE WITH AH153341 (GEARBOX) AND AH149349 (DRIVE SPROCKET)
10	H135773	BRACKET	1		
11	H121110	CLIP	1		
12	AH116104	SENSOR	1		BACKSHAFT SPEED
13	R78053	PIN CONTACT CONNECTOR BODY	1		(PKG OF 3)
	R78063	TERMINAL NIPPLE	1		(PKG OF 40)
14	37M7083	SCREW	2		M8 X 12

2G24

ELECTRICAL

KIT-CONVENIENCE OUTLET

(670101-)
HP8308 -UN-10MAR99



HP8308

2G25

ELECTRICAL

CONVENIENCE OUTLET - CONTINUED

KEY	PART NO.	PART NAME	QTY	SERIAL NO.	REMARKS
1	RE68495	STRIP	1		
2	AH152668	TERMINAL	1		
3	AH153311	WIRING HARNESS	1		
4	AH153133	WIRING HARNESS	1		
5	RE67013	ELECTRICAL PLUG	1		
6	RE67015	ADAPTER	1		
7	H159806	INSERT	1		
8	RE67014	ADAPTER	1		
9	37M7160	SCREW	2	M6 X 16	
..	BH81255	COMPLETE GOODS/SHIP. BUNDLE	1		CONVENIENCE OUTLET KIT

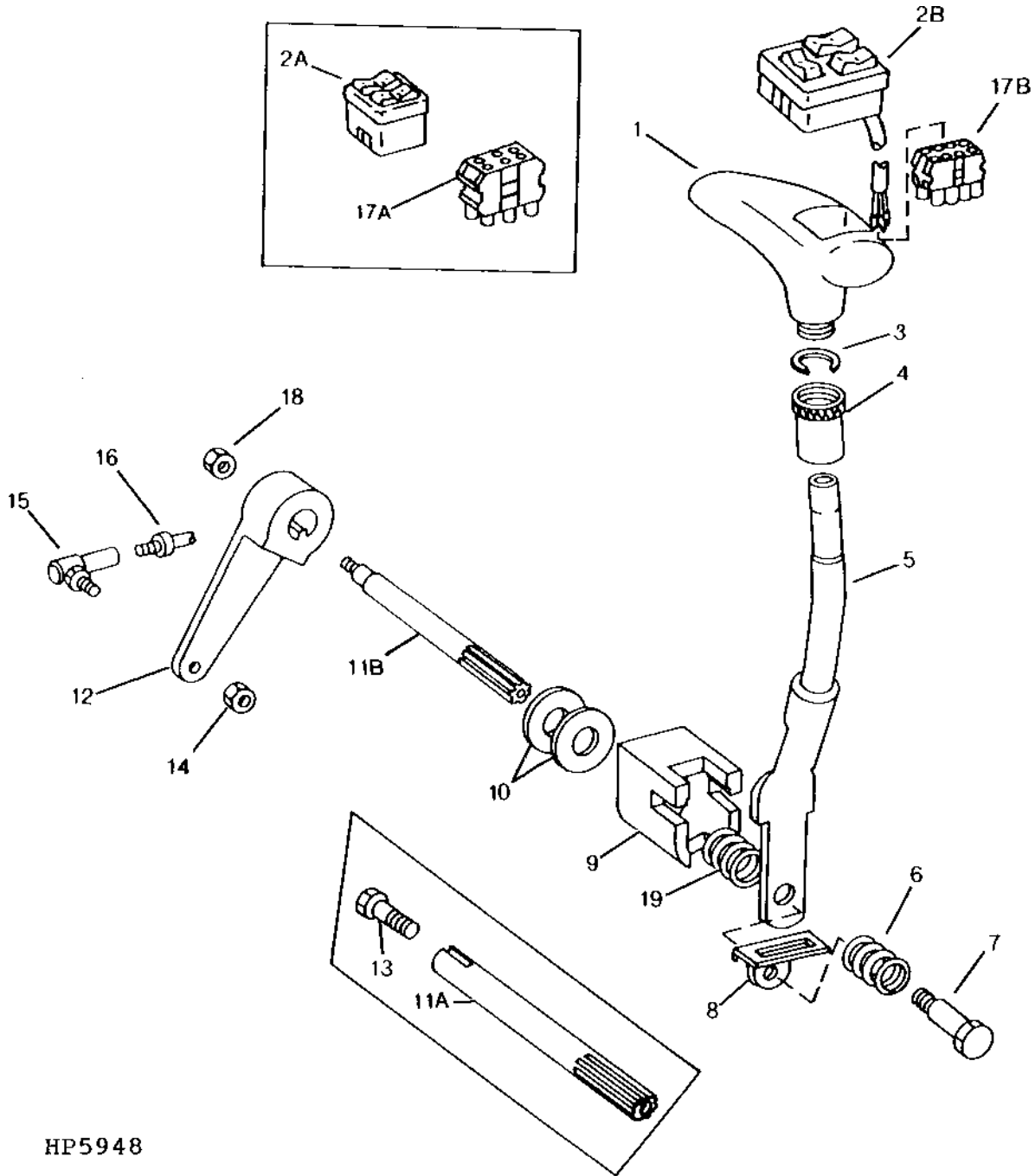
MEMORANDA

MEMORANDA

3B15

HYDROSTATIC DRIVE LEVER, CABLE AND SWITCH

HP5948 -UN-02MAY95



HP5948

3B16

POWER TRAIN

HYDROSTATIC DRIVE LEVER, CABLE AND SWITCH - CONTINUED

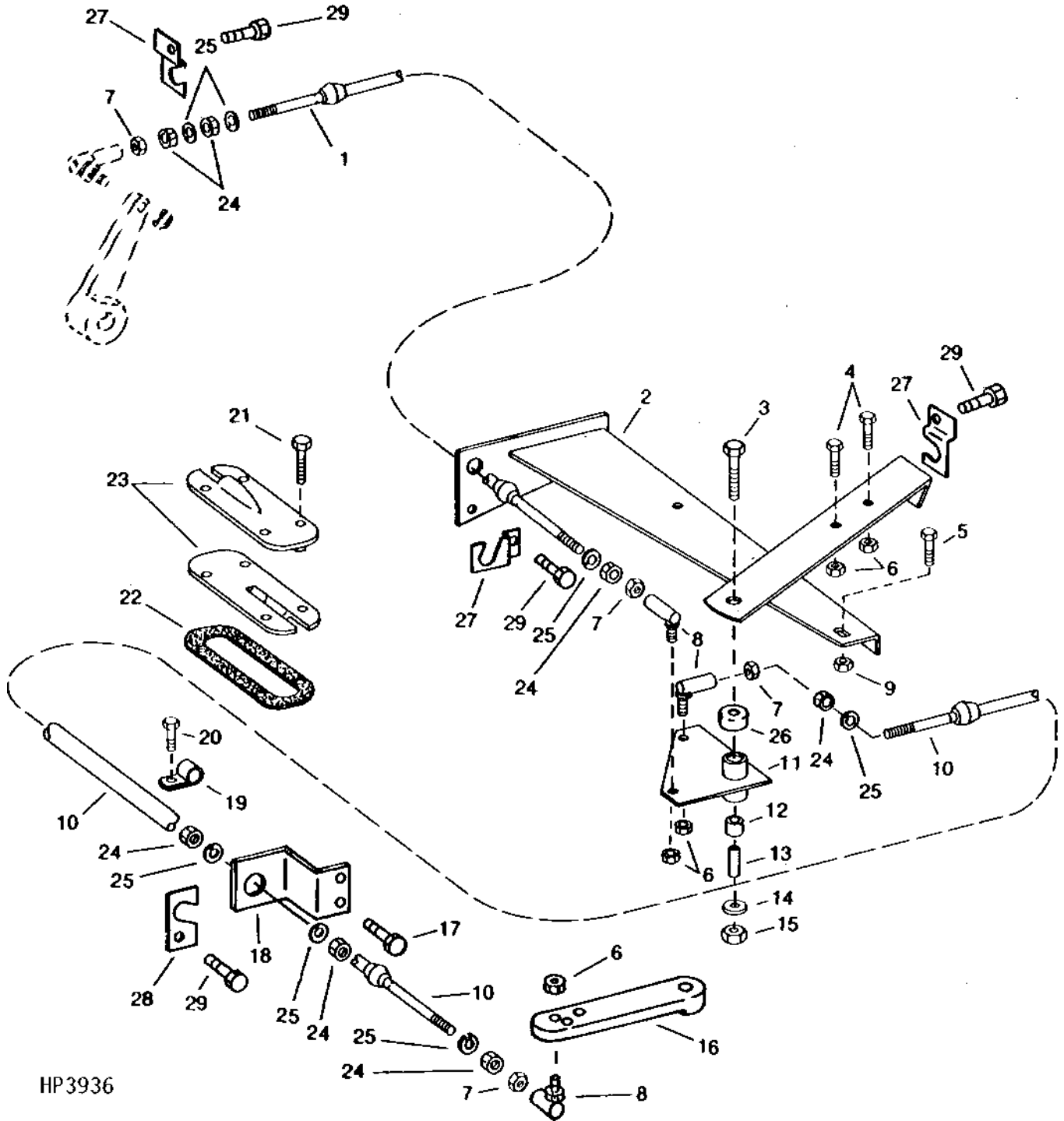
KEY	PART NO.	PART NAME	QTY	SERIAL NO.	REMARKS
1	AH115281	KNOB	1		W/O CONTOUR MASTER
	AH145061	KNOB	1	660101-	W/CONTOUR MASTER
2A	AH140161	SWITCH	1		(SUB FOR AH114978) W/O CONTOUR MASTER
2B	AH145060	SWITCH	1	660101-	W/CONTOUR MASTER
3	T12033	SNAP RING	1		
4	H129749	LOCK	1		
5	AH124940	LEVER	1		
6	122SE	SPRING	2		
7	H119007	SCREW	1		
8	H128557	RETAINER	1		
9	H128536	BASE	1		
10	H77739	WASHER	2		
11A	H119008	SHAFT	1	-640100	
11B	H144184	SHAFT	1	640101-	
12	H168989	ARM	1		(SUB FOR H143891)
13	19M7866	SCREW	1	-640100	M8 X 20
14	H168961	LOCK NUT	1		M6
15	AH115487	BALL JOINT	1		
16	AH135844	PUSH PULL CABLE	1		(SUB FOR AH122352)
17A	AH116902	CONNECTOR	1	-660100	CONNECTS TO HYDRO HANDLE SWITCHES (6-PIN)
17B	H151161	CONNECTOR	1	660101-	CONNECTS TO HYDRO HANDLE SWITCHES (9-PIN)
18	14M7152	NUT	1		M10
19	H95368	SPRING	1		

3B17

HYDROSTATIC DRIVE CONTROL CABLES

(-645100)

HP3936 -UN-01JAN94



HP3936

3B18

POWER TRAIN

HYDROSTATIC DRIVE CONTROL CABLES - CONTINUED

(-645100)

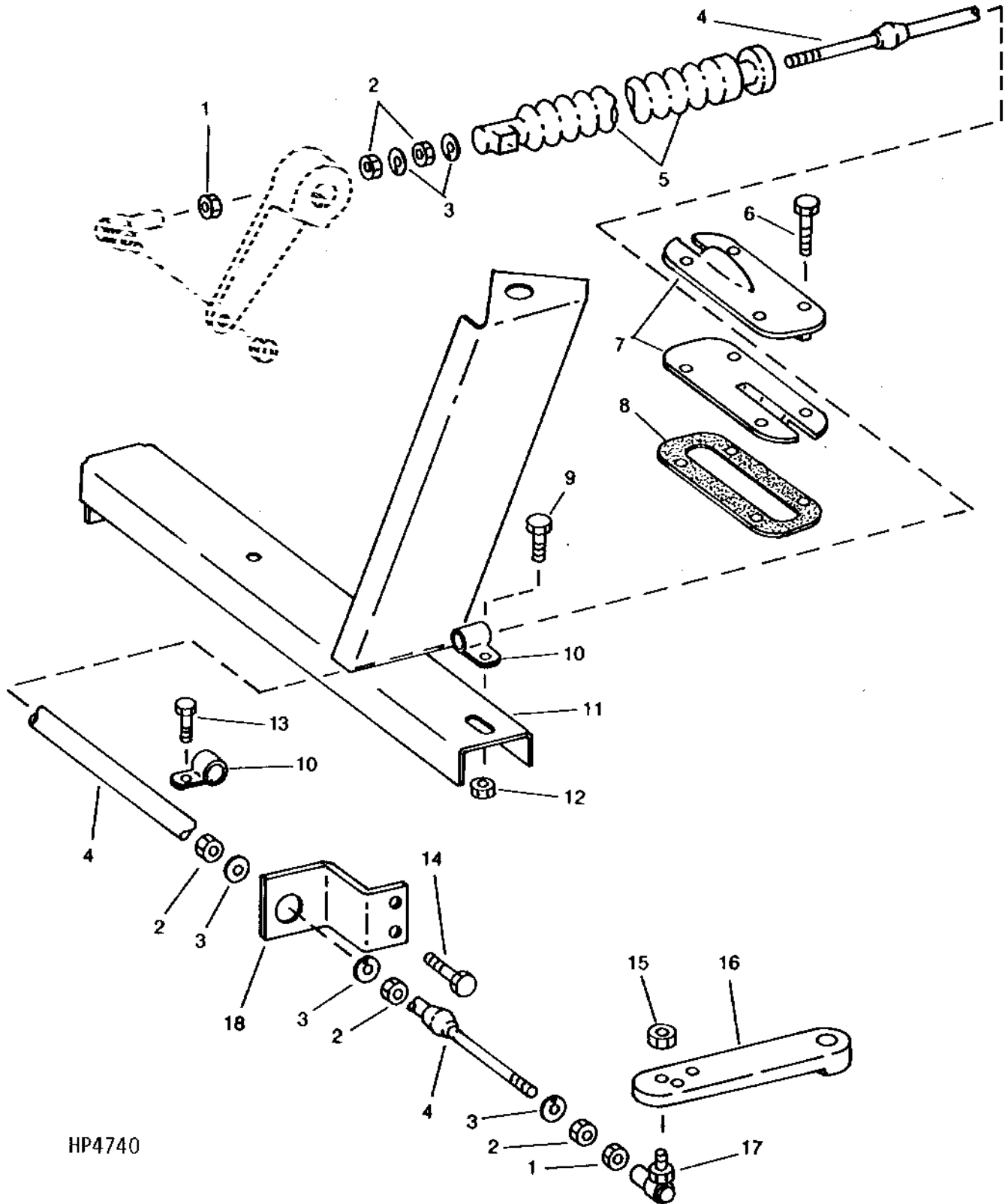
KEY	PART NO.	PART NAME	QTY	SERIAL NO.	REMARKS
1	AH135844	PUSH PULL CABLE	1		(SUB FOR AH122352)
2	AH135808	SUPPORT	1		(SUB FOR AH126402)
3	19M7808	SCREW	1		M10 X 65
4	19M7862	SCREW	2		M6 X 20
5	19M7865	SCREW	1		M8 X 16
6	14M7303	FLANGE NUT	5		M6
7	14M7272	NUT	3		M6
8	AH106933	BALL JOINT	1		
9	14M7298	FLANGE NUT	1		M8
10	AH135845	PUSH PULL CABLE	1		(SUB FOR AH121606)
	AH138048	CABLE	1	640101-	
11	AH122250	BELLCRANK	1		
12	H125517	BEARING	1		
13	H136575	SPACER	1		
14	24M7178	WASHER	1		10.500 X 30 X 2.500 MM
15	14M7296	FLANGE NUT	1		M10
16	H168988	LEVER	1		(SUB FOR H126583)
17	19M7867	SCREW	2		M8 X 25
18	H142044	SUPPORT	1		(SUB FOR H126586 OR H141350) SINGLE REDUCTION FINAL DRIVES ONLY
19	AH80916	CLIP	2		
20	37M7092	SCREW	1	-640100	M8 X 16
	37M7058	SCREW	1	640101-	
21	37M7131	SCREW	1		M6 X 20
22	H126123	GASKET	1		
23	H126124	CLAMP	2		
24	14M7260	NUT	5		M16
25	24M7241	WASHER	5		17 X 34 X 4 MM
26	H132011	COVER	1		
27	H141386	RETAINER	3	630873-635167	
28	H141387	RETAINER	1	630873-635167	
29	37M7089	SCREW	4		M6 X 12

3B19

POWER TRAIN

HYDROSTATIC DRIVE CONTROL CABLE

(645101-)
HP4740 -UN-01JAN94



HP4740

3B20

POWER TRAIN

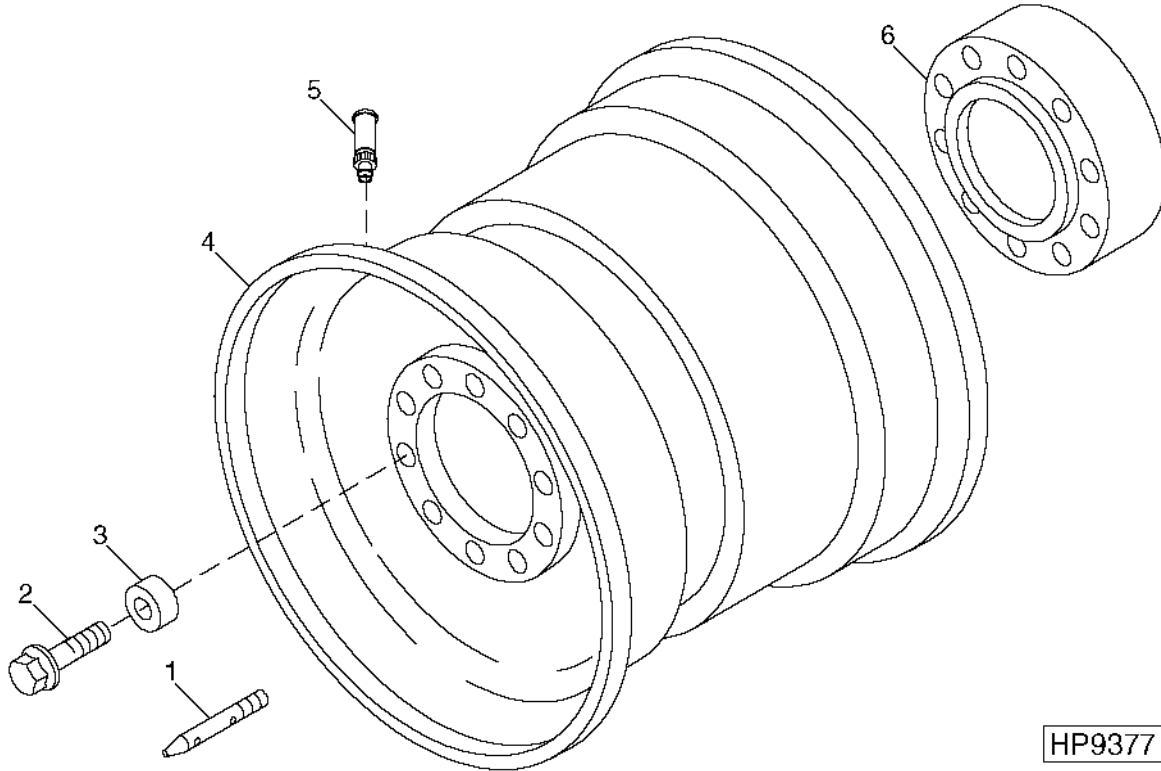
HYDROSTATIC DRIVE CONTROL CABLE - CONTINUED
(645101-)

KEY	PART NO.	PART NAME	QTY	SERIAL NO.	REMARKS
1	14M7272	NUT	2	M6	
2	14M7260	NUT	5	M16	
3	24M7241	WASHER	5	17 X 34 X 4 MM	
4	AH138048	CABLE	1		
5	H143445	BOOT	1		
6	37M7131	SCREW	4	M6 X 20	
7	H126124	CLAMP	2		
8	H126123	GASKET	1		
9	19M7868	SCREW	1	M8 X 30	
10	AH80916	CLIP	3		
11	AH136362	SUPPORT	1		
12	14M7298	FLANGE NUT	1	M8	
13	37M7058	SCREW	1	M8 X 20	
14	19M7867	SCREW	2	M8 X 25	
15	14M7303	FLANGE NUT	1	M6	
16	H168988	LEVER	1	(SUB FOR H126583)	
17	AH106933	BALL JOINT	2		
18	H142044	SUPPORT	1		

3B21

DRIVE WHEELS

HP9377 -UN-01DEC99



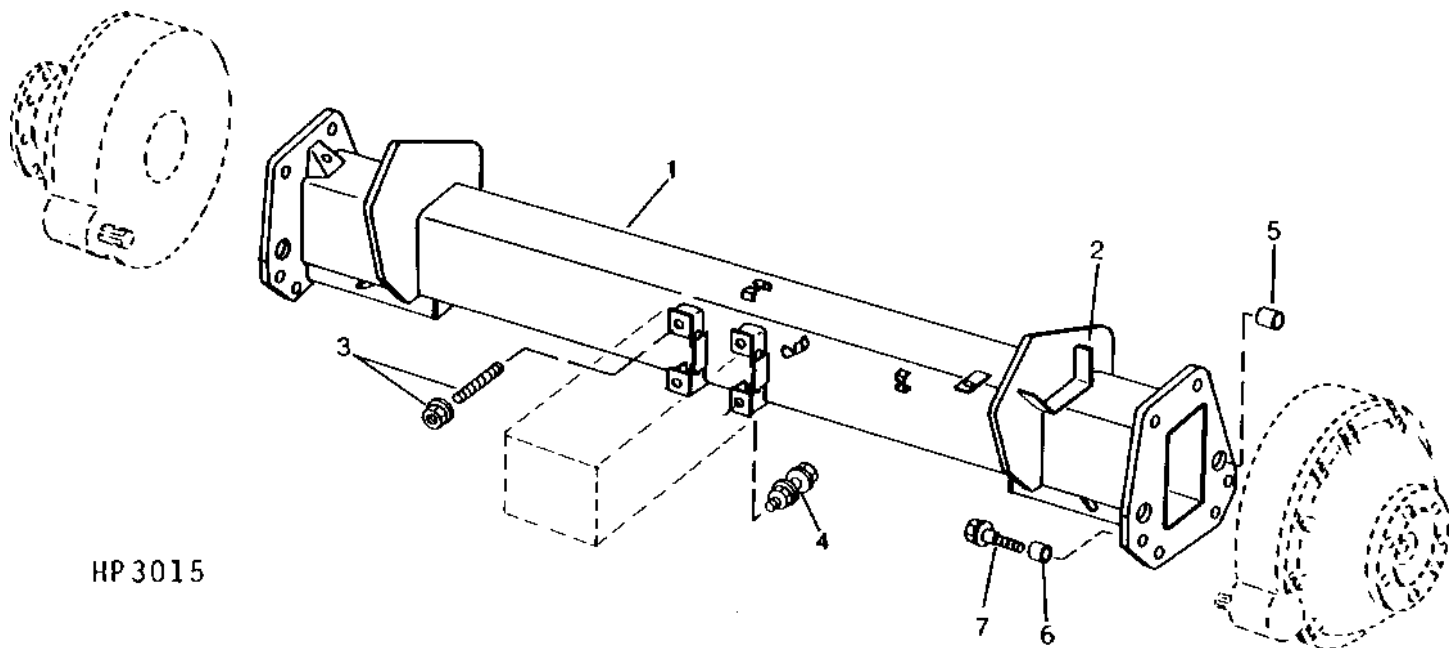
HP9377

KEY	PART NO.	PART NAME	QTY	SERIAL NO.	REMARKS
1	H138607	STUD	1		20 X 205MM (0.787" X 8.07") (USE FOR WHEEL MOUNTING ONLY)
2	H134600	CAP SCREW	20		M20 X 85
	H138606	CAP SCREW	20		20 X 170 MM (USE WITH H139320 ONLY)
3	H134114	SPACER	20		
4	AH139779	WHEEL	2		(SUB FOR AH130900) (20.8 X 38 TIRES)
	AH132128	WHEEL	2	-640562	(24.5 X 32 TIRES)
	AH141302	WHEEL	2	640563-	(24.5 X 32 TIRES)
	AH132116	WHEEL	2		30.5L X 32 - 16 PLY PLANETARY
	AH156626	WHEEL	2		(SUB FOR AH133844) (30.5 X 32" TIRE)(14 PLY MAX.)
5	AT25226	TIRE VALVE STEM	1		(USE WITH TUBELESS TIRES)
6	H139320	BUSHING	2		(100 MM) (OPTIONAL)
..	H134442	LABEL	2		"IMPORTANT" WHEEL BOLT TORQUE
..	H140709	LABEL	2		"IMPORTANT" 26 PSI (182 KPA) (24.5 X 32-10 PLY,OR 30.5L X 32-12 PLY TIRES)
..	H116640	LABEL	2		"IMPORTANT" 32 PSI (225 KPA) (24.5 X 32-12 PLY TIRES)
..	H108604	LABEL	2		"IMPORTANT" 20 PSI (140 KPA)(30.5L X 32-10 OR 35.5L X 32-12 PLY TIRES)
..	H140710	LABEL	2		"IMPORTANT" 34 PSI (235 KPA)(30.5L X 32-16 PLY TIRES)
..	H140750	LABEL	1		"IMPORTANT" 34 PSI (235 KPA)
..	H140711	LABEL	2		"IMPORTANT" 36 PSI (248 KPA) (20.8 X 38-12 PLY TIRES)
..	H116639	DECAL	2		"IMPORTANT" 28 PSI (195 KPA) (30.5L X 32-14 PLY TIRES)
..	H139603	LABEL	2		"IMPORTANT" WHEEL BOLT TORQUE W/ 100MM SPACER
..	BH71912	COMPLETE GOODS/SHIP. BUNDLE	1		WHEEL HUB SPACER

3B22

POWER TRAIN

**FRONT AXLE
(RING AND PINION FINAL DRIVE)**
HP3015 -UN-01JAN94

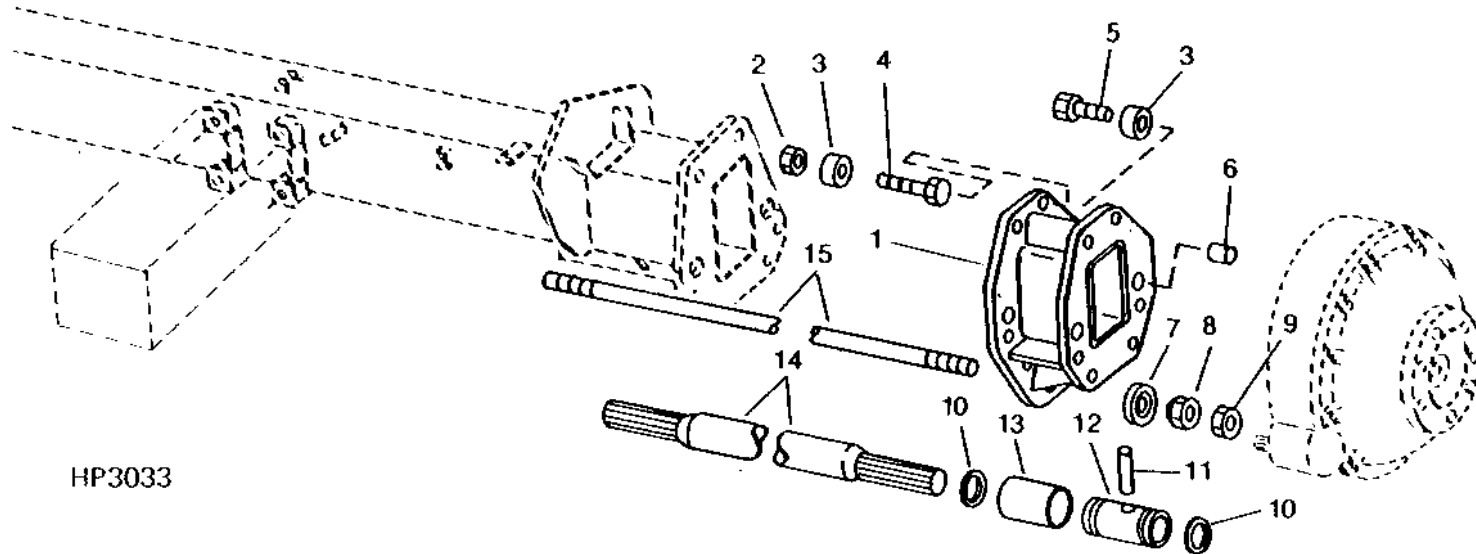


HP 3015

KEY	PART NO.	PART NAME	QTY	SERIAL NO.	REMARKS
1	AH139233	FRONT AXLE	1		
2	H132126	PLATE	2		(SUB FOR AH128045) NO LONGER AVAILABLE (REQUIRED WITH AXLE REPLACEMENT) NO LONGER AVAILABLE
3	42M7028	STUD	2		M16 X 75
	14M7291	FLANGE NUT	2		M16 FLANGE
4	H107504	BOLT	2		
	14M7291	FLANGE NUT	2		M16 FLANGE
5	H87691	BUSHING	4		
6	H156127	SLEEVE	12		(SUB FOR H116333)
7	19M7831	SCREW	12	-665274	M20 X 80
	19M7892	CAP SCREW	12	665275-	M20 X 80

3B23

**AXLE SPACERS
(RING AND PINION FINAL DRIVE)**
HP3033 -UN-01JAN94



HP3033

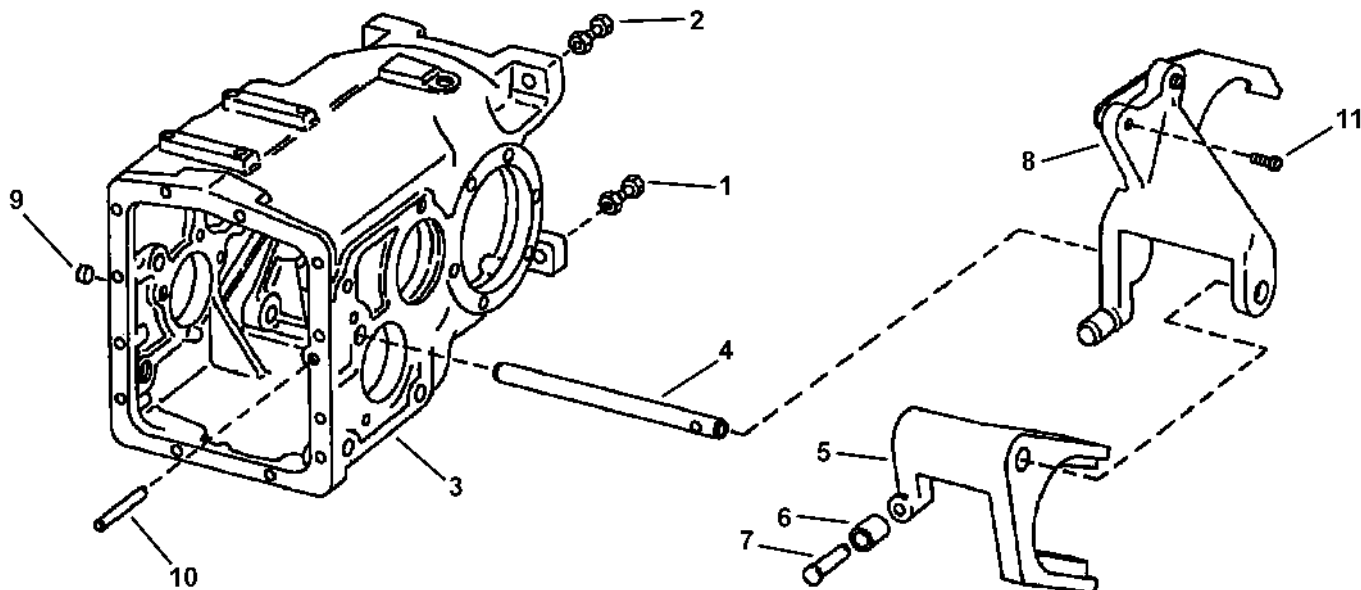
KEY	PART NO.	PART NAME	QTY	SERIAL NO.	REMARKS
1	H168744	SPACER	1		(SUB FOR AH125587 OR AH142158) 12"(300 MM)
	H168166	SPACER	1		(SUB FOR AH125588 OR AH142139) 16"(400 MM)
	H168745	SPACER	1		18"(455 MM)
2	14M7300	FLANGE NUT	12		M20
3	H156127	SLEEVE	24		(SUB FOR H116333)
4	19M7832	SCREW	12	-665274	M20 X 100
	19M7963	CAP SCREW	12	665275-	M20 X 100
5	19M7896	SCREW	12	-665274	M20 X 90
	19M8147	CAP SCREW	12	665275-	M20 X 90
6	H87691	BUSHING	8		
7	H130287	SPACER	2		
8	H130288	NUT	2		
9	14M7431	NUT	2		M30
10	H133229	SNAP RING	4		
11	H131754	PIN	2		
12	H165510	SPLINED COUPLING	2		(SUB FOR H133230)
13	H134444	SLEEVE	2		
14	H165662	SHAFT	1		300 MM, (SUB FOR H133244)
	H165663	SHAFT	1		400 MM, (SUB FOR H133246)
	H165664	SHAFT	1		454 MM, (SUB FOR H133248)
15	H130286	STUD	1		
	H133635	STUD	1		
..	BH81704	COMPLETE GOODS/SHIP. BUNDLE	2		(400 MM) AXLE SPACER
..	BH81705	COMPLETE GOODS/SHIP. BUNDLE	2		(300 MM) AXLE SPACER
..	BH81706	COMPLETE GOODS/SHIP. BUNDLE	2		(454 MM) AXLE SPACER

3B24

POWER TRAIN

TRANSMISSION AND DIFFERENTIAL HOUSING AND SHIFTER FORKS

HP7492 -UN-02APR98

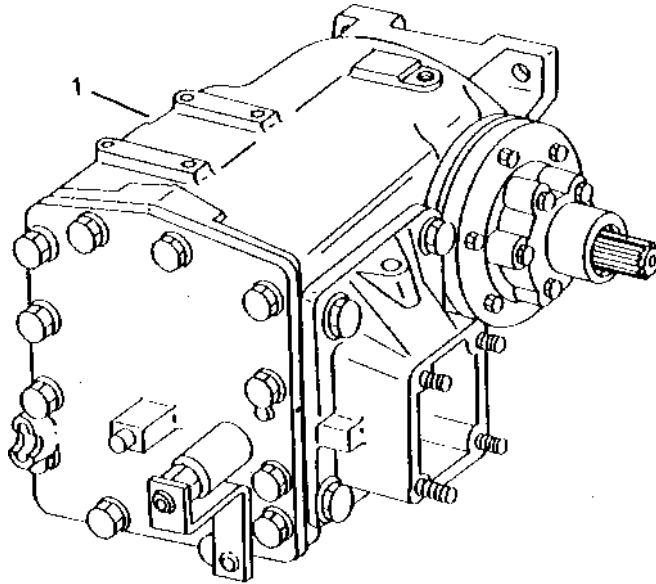


HP7492

KEY	PART NO.	PART NAME	QTY	SERIAL NO.	REMARKS
1	H107504	BOLT	2	M16 X 70	
2	42M7028	STUD	2		
	14M7291	FLANGE NUT	2	M16	
3	HOUSING	1		(ORDER AH140410) P/O KIT
4	H146640	RAIL	1		(SUB FOR H133352)
5	H135112	SHIFTER	1		
6	R26207	ROLLER	2		
7	H76152	PIN	2		
8	AH122575	SHIFTER	1		
9	N102039	CAP	1		
10	T76836	PIN	1		
	14M7291	FLANGE NUT	2	M16	
11	19M7785	SCREW	3	M10 X 25	
..	TY9371	ADHESIVE	1	6ML (0.2OZ) TUBE, HIGH STRENGTH	
..	TY16285	PRIMER	1	(SUB FOR TY6305)	
..	AH140410	KIT	3	3 SPEED TRANSMISSION HOUSING REPAIR KIT	

3B25

TRANSMISSION
HP5722 -UN-01JAN94

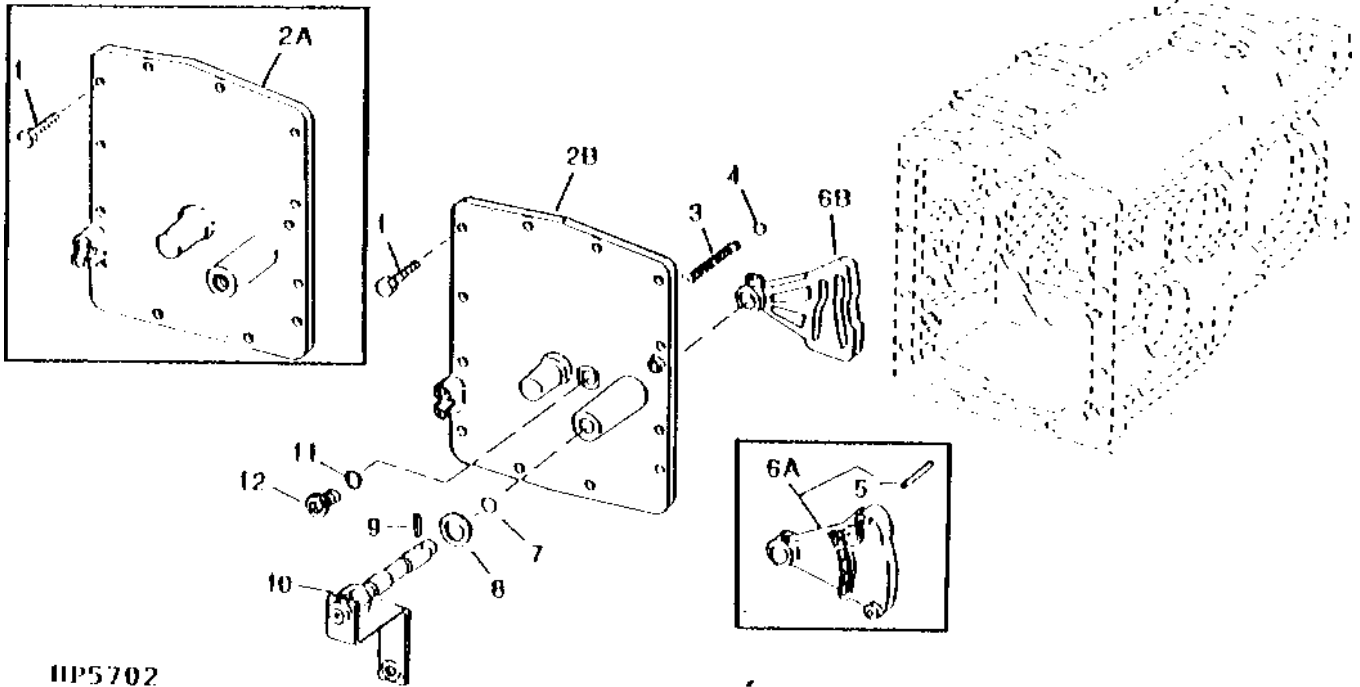


HP5722

KEY	PART NO.	PART NAME	QTY	SERIAL NO.	REMARKS
1	AH158660	TRANSMISSION	1		(SUB FOR AH134903, AH137329 OR AH145614)
	AH158662	TRANSMISSION	1		(SUB FOR AH137295, AH137795 OR AH145615) EXPORT ONLY - AUSTRALIA

TRANSMISSION AND DIFFERENTIAL HOUSING COVER, AND SHIFTER CAM

HP5702 -UN-01JAN94



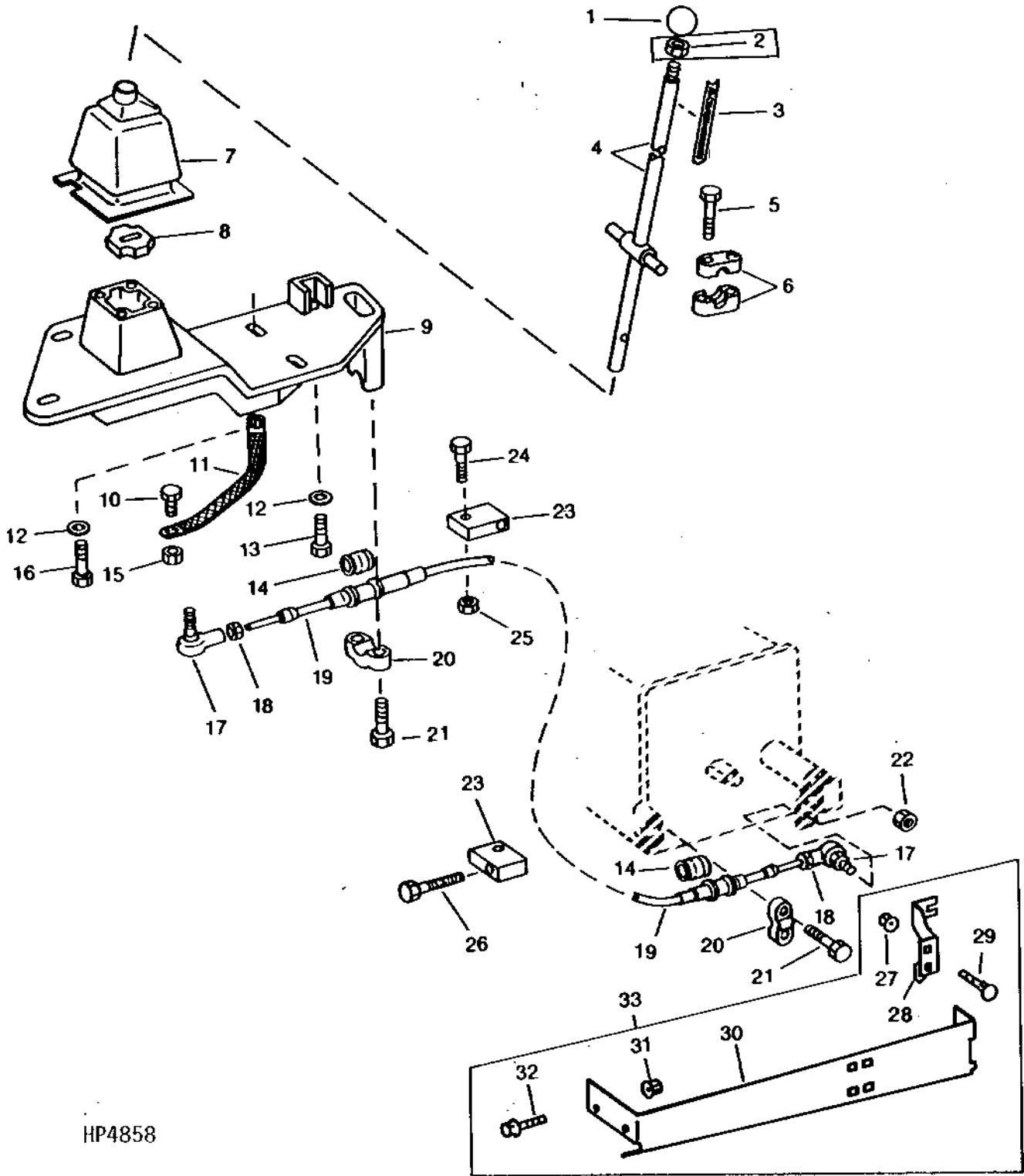
HP5702

KEY	PART NO.	PART NAME	QTY	SERIAL NO.	REMARKS
1	19M7786	SCREW	12		
2A	H137334	COVER	1	-655317	M10 X 30 (SUB N199920, R26375 AND R33138)
2B	N199920	COVER	1		
3	T27888	SPRING	1		
4	R1818R	BALL	1		19.050 MM (3/4")
5	34M7038	SPRING PIN	2		6 X 20 MM, WITH H137333 CAM ONLY, (USE WITH H137333)
6A	25M3827	GROOVE PIN	2		3 X 8 MM
6A	H137333	CAM	1	-640603	(SUB H136145)
6B	H136145	CAM	1		
7	R71144	O-RING	1		
8	H75700	WASHER	1		
9	34M7053	SPRING PIN	1		10 X 40 MM
10	AH128267	ARM	1		
11	R26375	O-RING	1	650500-	16.358 X 2.210 MM (0.644" X 0.087")
12	R33138	FITTING	1	650500-	

3C2

GEARSHIFT LEVER AND LINKAGE

HP4858 -UN-01JAN94



HP4858

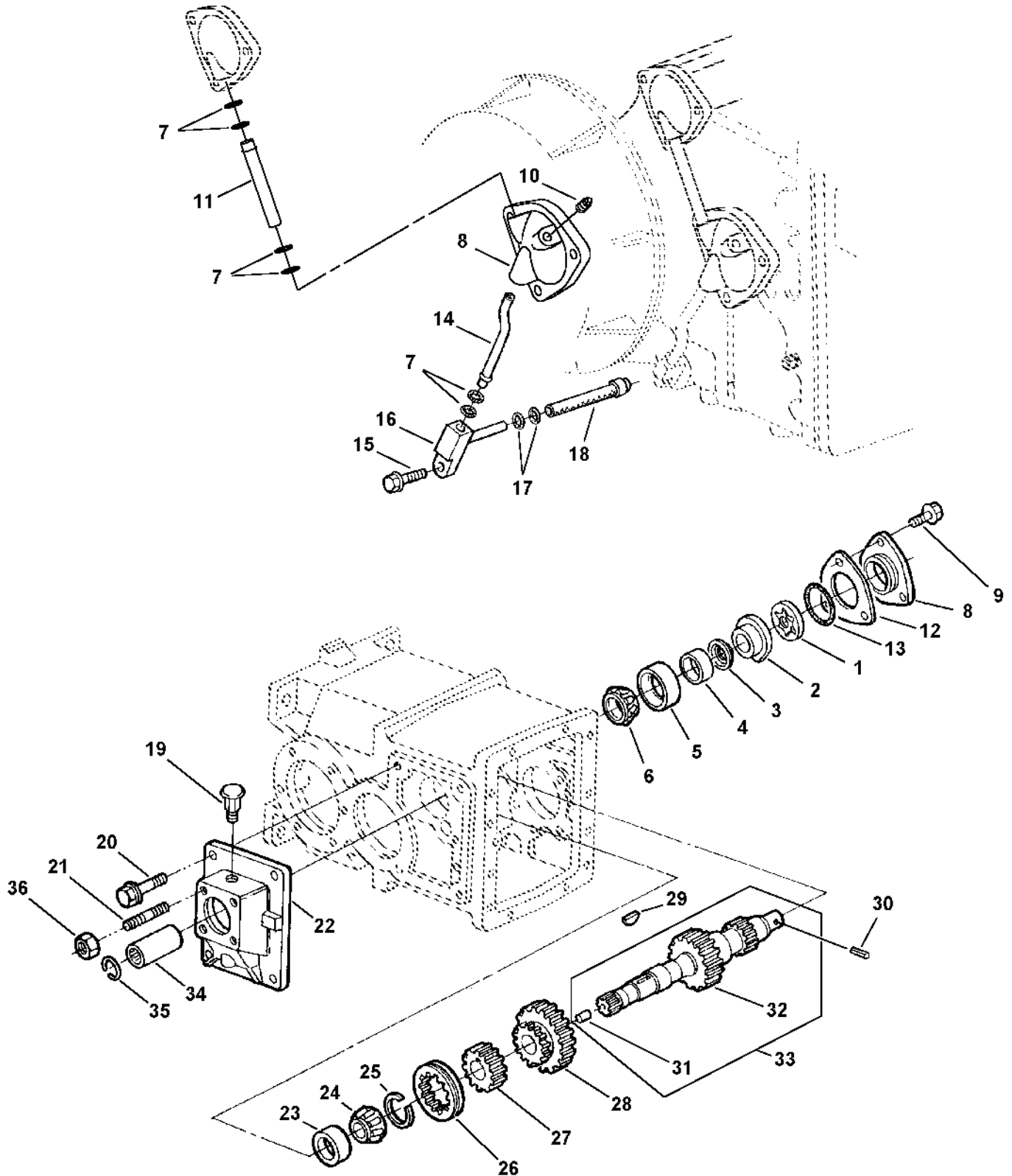
GEARSHIFT LEVER AND LINKAGE - CONTINUED

KEY	PART NO.	PART NAME	QTY	SERIAL NO.	REMARKS
1	H125518	KNOB	1		USE TY9373 OR TY9478 OR TY9371 TO SECURE
2	14M7433	NUT	1	-635101	M10
3	H149068	LABEL	1		(SUB FOR H134767) "BRAKE"
4	AH138707	ROD	1		(SUB FOR AH135323)
5	19M8318	SCREW	4		M8 X 45
6	H131040	BEARING	4		
7	H131041	BOOT	1		
8	H133660	SEAL	1		
9	H133636	HOUSING	1		
10	19M7788	SCREW	1		M12 X 25
11	AH125010	GROUND CABLE	1		
12	24H1296	WASHER	5		11/32" X 1-3/8" X 0.134"
13	19M8319	SCREW	1		M8 X 50
14	H133662	ISOLATOR	2		
15	14M7299	FLANGE NUT	1		M12
16	19M7867	SCREW	4		M8 X 25
17	AH125958	BALL JOINT	2		
18	14M7274	NUT	2		M10
19	AH128357	CABLE	1		
20	H133047	CLAMP	2		
21	19M8291	SCREW	4		M8 X 35
22	14M7296	FLANGE NUT	1		M10
23	H112162	CLAMP	4	-640505	
	AH77724	CLIP	3	640506-	
24	19M7799	SCREW	1		
25	14M7298	FLANGE NUT	1		
26	37M7149	SCREW	3	-640505	
	37M7058	SCREW	3	640506-	
27	14M7400	LOCK NUT	2		
28	H141315	SUPPORT	1		(SUB AH138329)
29	03M7190	BOLT	2		
30	GUARD	1		(SUB AH138329)
31	14M7401	LOCK NUT	1		
32	19M7788	SCREW	1	-645432	M12 X 25
	19M7789	SCREW	1	645433-	M12 X 30
33	AH138329	KIT	1	640101-	CABLE GUARD KIT
..	TY9370	ADHESIVE	1		6 OZ. MEDIUM STRENGTH (CANADA NUMBER TY9477)
..	TY9373	GASKET	1		
..	TY9478	ADHESIVE	1		
..	TY9371	ADHESIVE	1		6 ML HIGH STRENGTH

3C4

TRANSMISSION INPUT SHAFT, GEARS, LUBE PUMP AND BEARINGS

HP7499 -UN-15APR98



HP7499

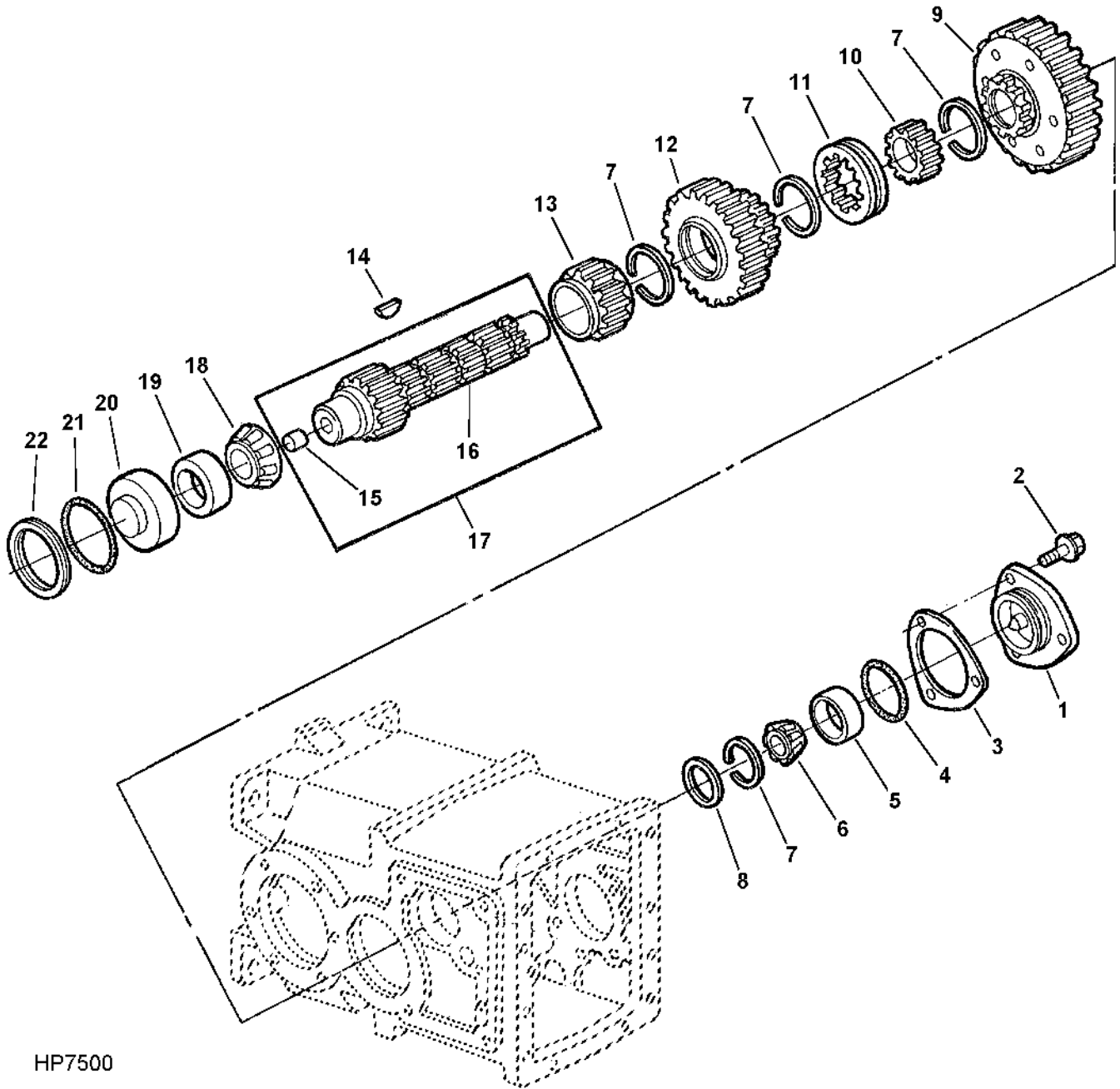
TRANSMISSION INPUT SHAFT, GEARS, LUBE PUMP AND BEARINGS - CONTINUED

KEY	PART NO.	PART NAME	QTY	SERIAL NO.	REMARKS
1	AH128528	ROTOR	1		
2	H82234	PLATE	1		LUBE PUMP PORT
3	H82232	WASHER	1		54.610 X 63.119 X 0.889 MM (2.150" X 2.485" X 0.035") (WAVE TYPE)
4	H82233	BUSHING	1		
5	JD8257	BEARING CUP	1		
6	AR94761	BEARING CONE	1		
7	R394R	O-RING	8		12.370 X 2.616 MM (0.487" X 0.103")
8	H142030	HOUSING	1	635203-	SUB AH128528, H82234, H82232, H82233, JD8257, H142031, H142030 AND TY6304
9	19M7786	SCREW	3		
10	15H253	PIPE PLUG	1	-670539	1/8"
	15H638	PIPE PLUG	1	670540-	
11	H131296	OIL TUBE	1		
12	H132892	SHIM	AR		0.076 (.003) THICK
	H132893	SHIM	AR		0.127 (.005") THICK
	H132894	SHIM	AR		0.508 (.02") THICK
13	U10776	O-RING	1	-635202	82.144 X 3.531 MM (3-15/64" X 0.139")
	T43514	GASKET	1	635203-	PLASTIC GASKET
14	H131297	OIL TUBE	1		HYDRO MOTOR MOUNTING BRACKET
15	19M8162	CAP SCREW	1		M10 X 40
16	AH125228	FITTING	1		
17	R495R	O-RING	2		
18	AH121580	SCREEN	1		
19	AH20868	BREATHER	1		
20	19M7844	SCREW	4		M16 X 45
21	42M7029	STUD	4		
22	H133165	BRACKET	1		
23	JD8237	BEARING CUP	1		
24	JD10182	BEARING CONE	1		
25	P43969	SNAP RING	1		
26	H129564	SHIFT COLLAR	1		
27	H129565	SHIFT COLLAR	1		THIRD GEAR
28	H135943	GEAR	1		(SUB FOR H129569)
29	26M4228	SHAFT KEY	1		8 X 28 MM
30	H75358	DOWEL PIN	1		
31	H110539	ORIFICE	1		
32	SHAFT	1		
33	AH131861	PINION SHAFT	1		
	AH137350	PINION SHAFT	1		EXPORT ONLY - AUSTRALIA
34	H129525	SPLINED COUPLING	1		
35	M41029	SNAP RING	2		
36	14M7299	FLANGE NUT	4		M12
37	H142031	SLEEVE	1	635203-	
..	TY9371	ADHESIVE	1		HIGH STRENGTH 6 ML (0.2 OZ) TUBE
..	TY6304	SEALANT	1		
..	AH131699	OIL PUMP	1	-635202	SUB AH128528, H82234, H82232, H82232, JD8257, H142031, H142030 AND TY6304

3C6

TRANSMISSION PINION SHAFT, GEARS AND BEARINGS

HP7500 -UN-30MAR98



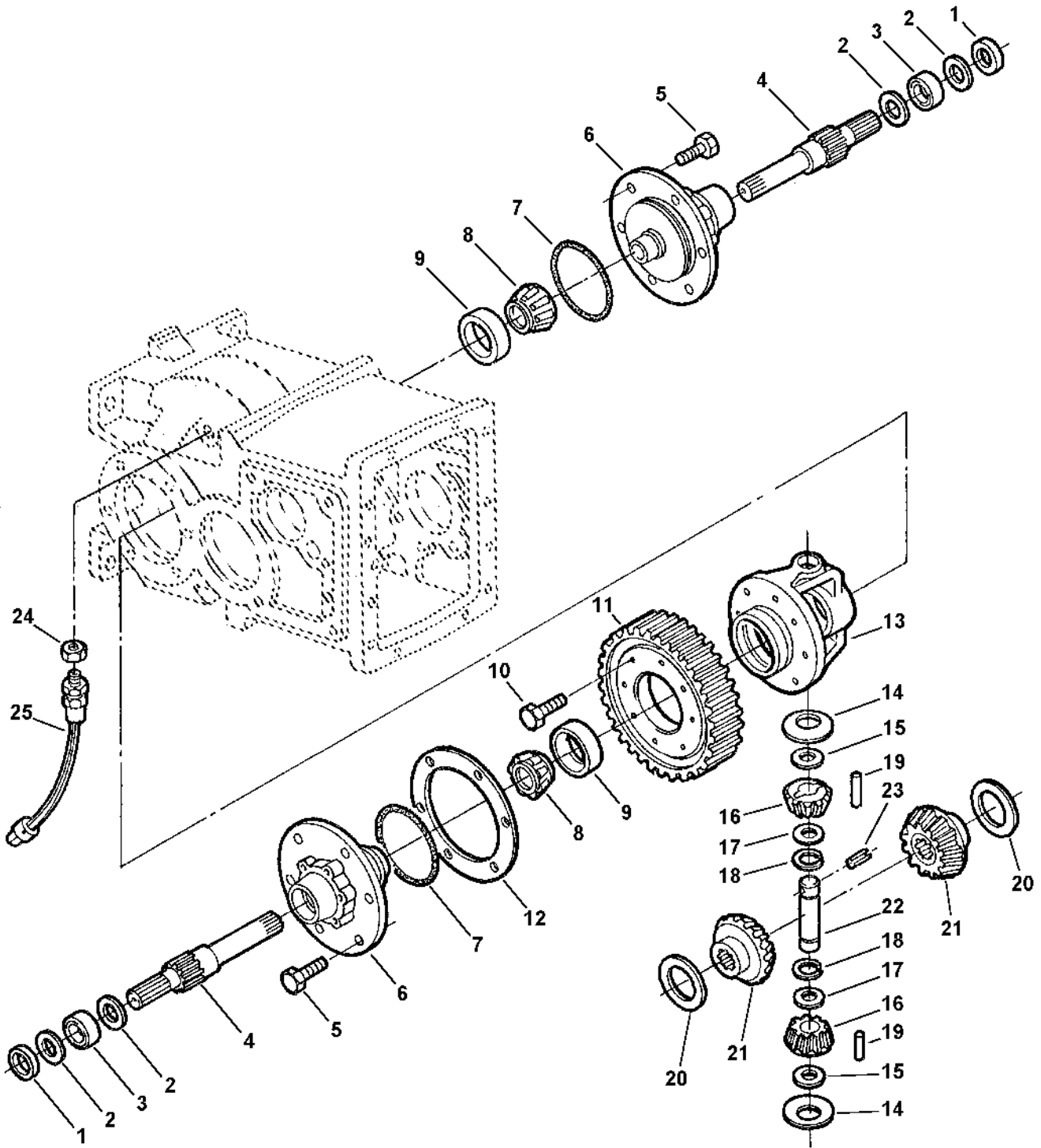
HP7500

TRANSMISSION PINION SHAFT, GEARS AND BEARINGS - CONTINUED

KEY	PART NO.	PART NAME	QTY	SERIAL NO.	REMARKS
1	H145173	PLANET PINION CARRIER	1		(SUB FOR H132777 OR H144386)
	CE18201	PLANET PINION CARRIER	1		(SUB FOR H145335) P/O KIT
2	19M7786	SCREW	3		M10 X 30
3	H132892	SHIM	AR		0.076MM (.003") THICK
	H132893	SHIM	AR		0.127 (.005") THICK
	H132894	SHIM	AR		0.508 (.02") THICK
4	U10776	O-RING	1		82.144 X 3.531 MM (3-15/64" X 0.139")
5	JD8267	BEARING CUP	1		
6	JD8979	BEARING	1		
7	R26265	SNAP RING	4		
8	H103167	WASHER	1		
9	H135944	GEAR	1		(SUB FOR H133008) (43 TOOTH), FOR FIRST GEAR
10	H133010	SHIFT COLLAR	1		(DRIVE)
11	H129564	SHIFT COLLAR	1		
12	H135942	GEAR	1		(SUB FOR H129567) (32 TOOTH), FOR 2ND GEAR
	H143408	GEAR	1		EXPORT ONLY- AUSTRALIA (29 TOOTH), FOR 2ND GEAR
13	H132618	GEAR	1		(24 TOOTH), FOR 3RD GEAR
	H140227	GEAR	1		(28 TOOTH), FOR 3RD GEAR
14	26M4228	SHAFT KEY	1		8 X 28 MM
15	H110539	ORIFICE	1		
16	SHAFT	1		PINION SET
17	AH131862	PINION SHAFT	1		(12 TOOTH)
18	JD8182	BEARING CONE	1		
19	JD8223	BEARING CUP	1		
20	H144385	BEARING CAP	1		(SUB FOR H129144)
21	U10746	O-RING	1		107.544 X 3.531 MM (4-15/64" X 0.139")
22	H129558	SNAP RING	1		
..	AH140410	KIT	1		

3C8

DIFFERENTIAL GEARS AND SHAFTS
HP7501 -UN-30MAR98



HP7501

DIFFERENTIAL GEARS AND SHAFTS - CONTINUED

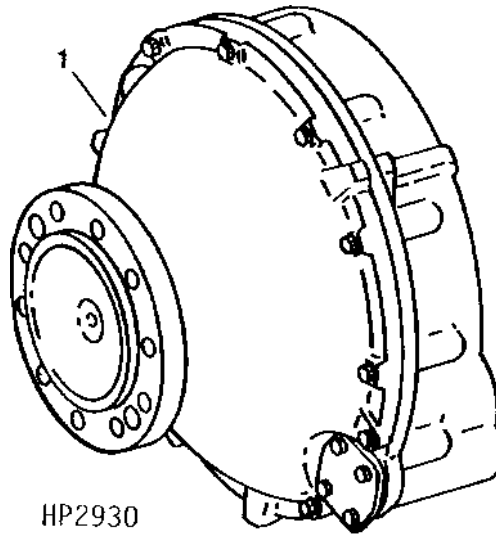
KEY	PART NO.	PART NAME	QTY	SERIAL NO.	REMARKS
1	AT40603	SEAL	2		
2	C3936E	SNAP RING	4		
3	JD7502	ROLLER BEARING	2		
4	H135173	SHAFT	2	-25JA99	
	H165508	SHAFT	2	26JA99-	
5	19M7844	SCREW	12		M16 X 45
6	H130407	CRADLE	2		
7	R27796	O-RING	2		
8	JD8147	BEARING CONE	2		
9	JD7425	BEARING CUP	2		
10	19M7985	SCREW	14		M12 X 35
11	H132554	GEAR	1		(62 TOOTH)
12	H126572	SHIM	AR		0.076MM (.003") THICK
	H126573	SHIM	AR		0.127MM (.005") THICK
	H126575	SHIM	AR		0.508 (.02") THICK
13	N197422	HOUSING	1		(SUB FOR H133201)
14	H133202	THRUST WASHER	2		
15	R70112	THRUST WASHER	2		31.480 X 38 X 2.500 MM (1.239" X 1.496" X 0.098")
16	Z12964	PINION	1	670204-	(SUB FOR R80880)
17	R70113	THRUST WASHER	2		
18	R70114	SNAP RING	2		
19	R70115	NEEDLE ROLLER	52		
20	H164794	WASHER	2		
21	H92308	GEAR	2		
22	H146646	PIN	1		(SUB FOR H113134)
23	34M7073	SPRING PIN	1		
24	H104418	NUT	1		
25	AH116104	SENSOR	1		GROUND SPEED

3C10

POWER TRAIN

FINAL DRIVE (RING AND PINION)

HP2930 -UN-01JAN94



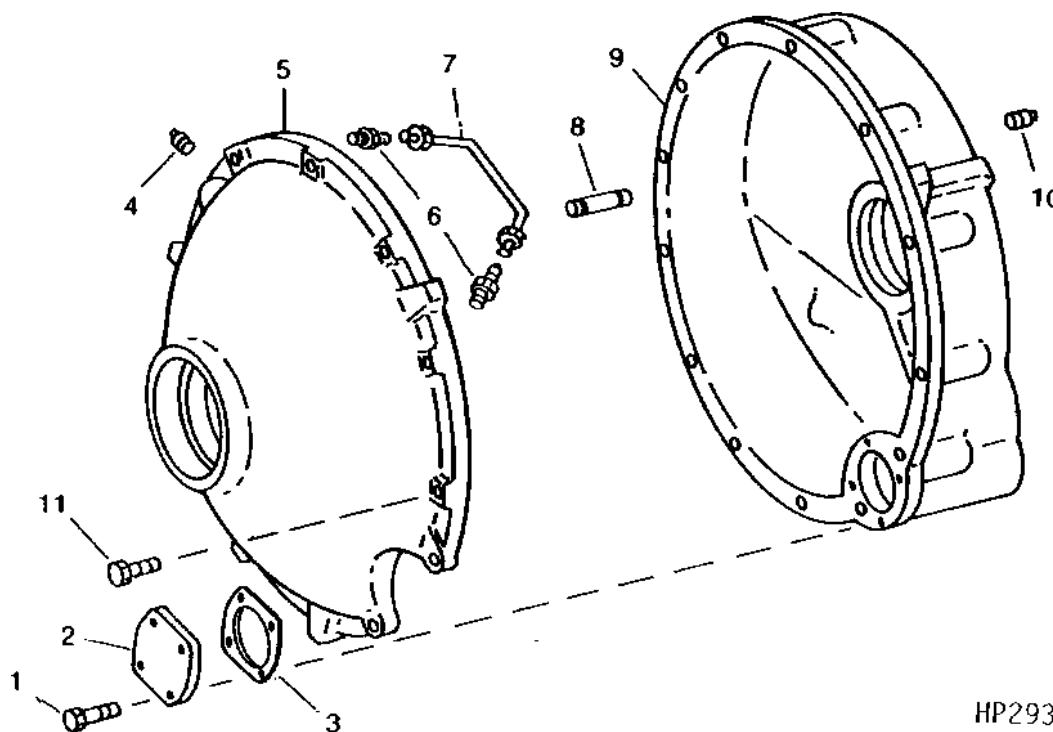
KEY	PART NO.	PART NAME	QTY	SERIAL NO.	REMARKS
1	AH121922	GEAR	1	L.H.	
	AH121923	GEAR	1	R.H.	

3C11

POWER TRAIN

FINAL DRIVE HOUSING AND BEARING CAP (RING AND PINION)

HP2931 -UN-01JAN94



HP2931

KEY	PART NO.	PART NAME	QTY	SERIAL NO.	REMARKS
1	19M7835	SCREW	4	M10 X 35	
2	H133089	CAP	1		
3	H133096	SHIM	AR	0.50 MM (0.020") (STEEL)	
	H133097	SHIM	AR	0.25 MM (0.010") (STEEL)	
	H133098	SHIM	AR	0.13 MM (0.005") (PLASTIC) (BLUE)	
4	JD7760	LUBRICATION FITTING	1		
5	H133092	HOUSING	1		(OUTER)
6	R35352	FITTING	2		
7	AH120736	OIL LINE	1		
8	R54380	DOWEL PIN	2		
9	N276474	HOUSING	1		(SUB FOR H133090 OR H148286) R.H.
	N276475	HOUSING	1		(SUB FOR H133091 OR H148287) L.H.
10	P46369	FITTING	1	-660587	IN FILL HOLE
	H154722	FITTING	1	660588-3SEP96	IN FILL HOLE
	15H584	PIPE PLUG	3	3SEP96-	12.700 MM (1/2")
11	19M7824	SCREW	12		M16 X 60

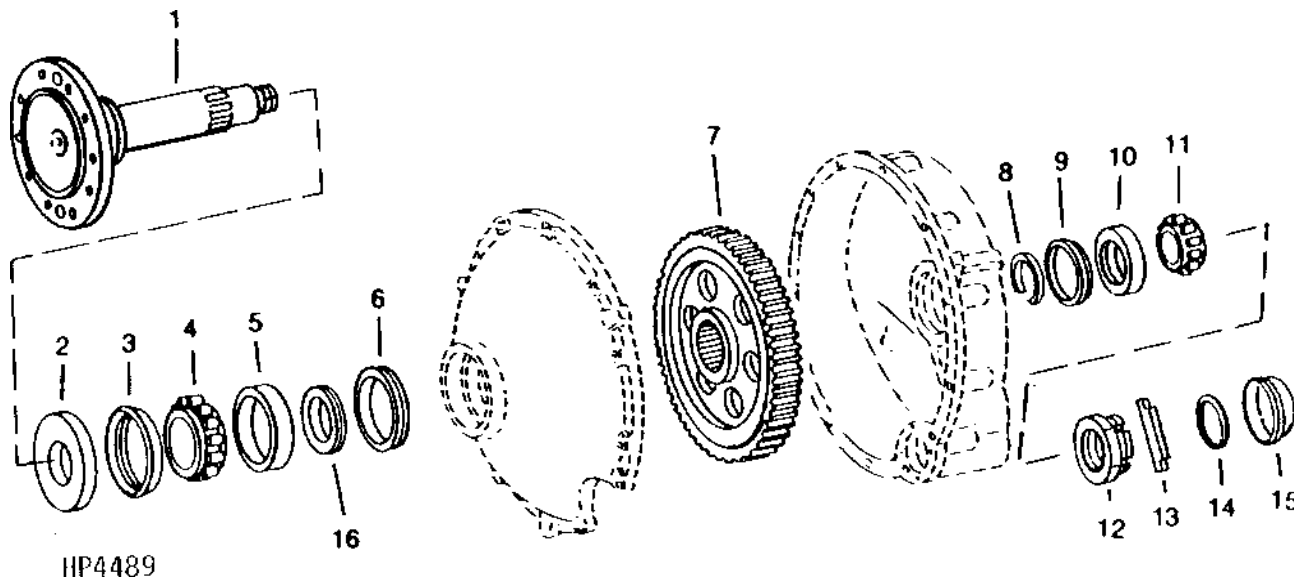
NOTE: QUANTITIES SHOWN ARE FOR ONE UNIT. TWO UNITS USED PER MACHINE.

MEMORANDA

3C12

FINAL DRIVE AXLE, GEAR AND BEARINGS (RING AND PINION)

HP4489 -UN-01JAN94



HP4489

KEY	PART NO.	PART NAME	QTY	SERIAL NO.	REMARKS
1	H133094	SPINDLE	1		
2	AH112402	SEAL	1		
3	R52015	SEAL	1		
4	JD9092	BEARING CONE	1		
5	JD9147	BEARING CUP	1		
6	AH125233	SEAL	1		
7	H137672	GEAR	1	-24JA99	104 TEETH
	H167723	GEAR	1	25JA99-	95 TEETH
8	H118882	SNAP RING	1		
9	H129557	SPACER	1		
10	JD7298	BEARING CUP	1		
11	JD10266	BEARING CONE	1		
12	H129854	NUT	1		
13	H125330	SHAFT KEY	1		
14	H22784	SNAP RING	1		
15	H125335	BEARING CAP	1	-660587	
	H154720	PLUG	1	660588-	
16	R99244	V-RING SEAL	1		

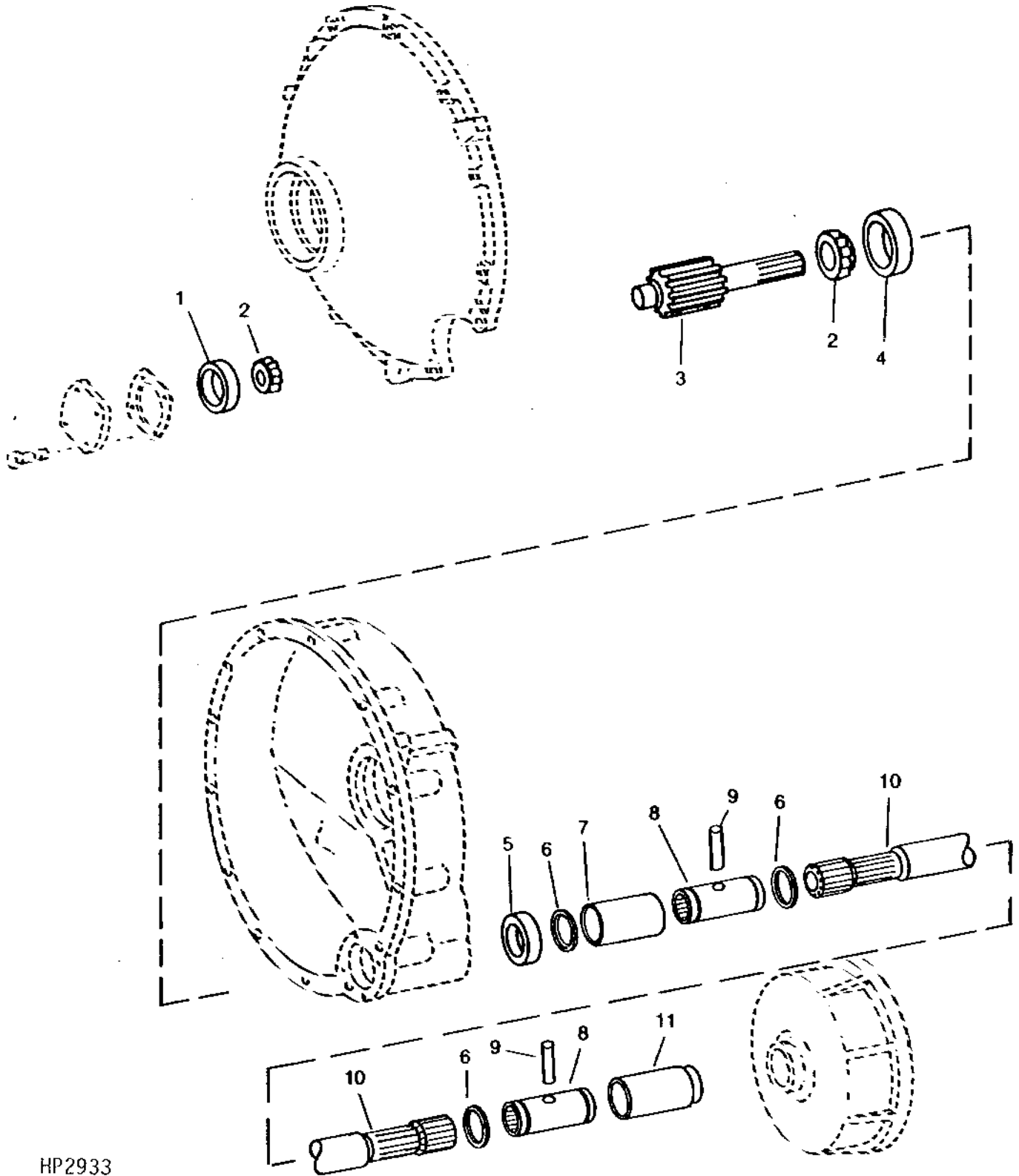
NOTE: QUANTITIES SHOWN ARE FOR ONE UNIT. TWO UNITS USED PER MACHINE.

3C13

FINAL DRIVE PINION, DRIVE SHAFTS AND BEARINGS

(RING AND PINION)

HP2933 -UN-01JAN94



HP2933

3C14

POWER TRAIN

**FINAL DRIVE PINION, DRIVE SHAFTS AND BEARINGS - CONTINUED
(RING AND PINION)**

KEY	PART NO.	PART NAME	QTY	SERIAL NO.	REMARKS
1	JD8222	BEARING CUP	1		
2	JD10401	BEARING CONE	2		
3	H157014	PINION	1		(SUB FOR H133088 OR H141558)
4	T79098	BEARING CUP	1		
5	AH128391	SEAL	1		
6	H133229	SNAP RING	3		
7	H134444	SLEEVE	1		
8	H133230	SPLINED COUPLING	2		
9	H131754	PIN	2		
10	H165735	SHAFT	1	-640505	(SUB FOR H136026) R.H.
	H165665	SHAFT	1	640506-	(SUB FOR H145553) R.H.
	H165736	SHAFT	1	-640505	(SUB FOR H136027) L.H.
	H165666	SHAFT	1	640506-	(SUB FOR H145554) L.H.
11	H134531	SLEEVE	1	-31JA00	
	H166201	SLEEVE	1	01FE00-	

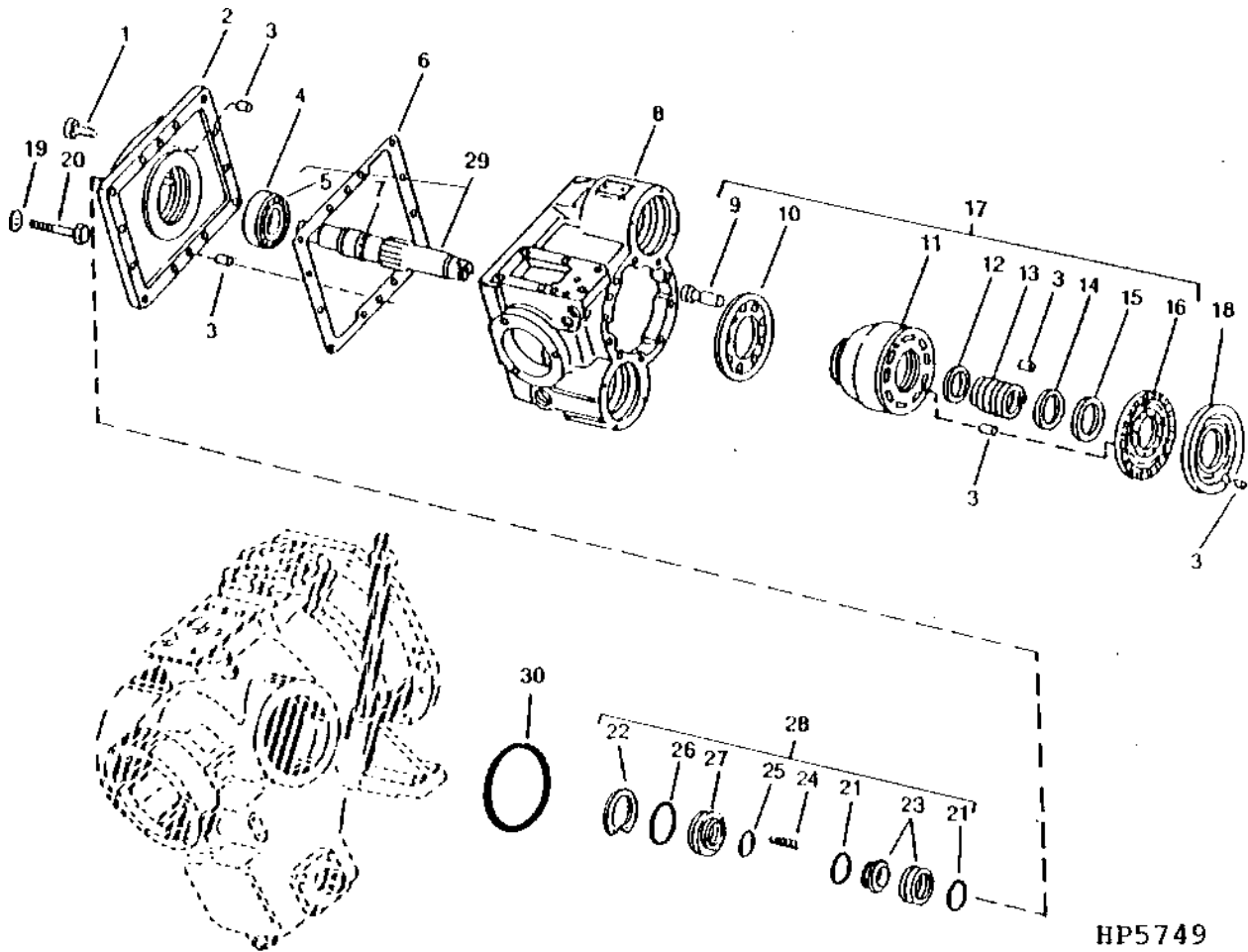
NOTE: QUANTITIES SHOWN ARE FOR ONE UNIT. TWO UNITS USED PER MACHINE.

3C15

HYDROSTATIC DRIVE PUMP, FRONT COVER AND SHAFT

(RING AND PINION)

HP5749 -UN-01JAN94



HP5749

3C16

HYDROSTATIC DRIVE PUMP, FRONT COVER AND SHAFT (RING AND PINION)- CONTINUED

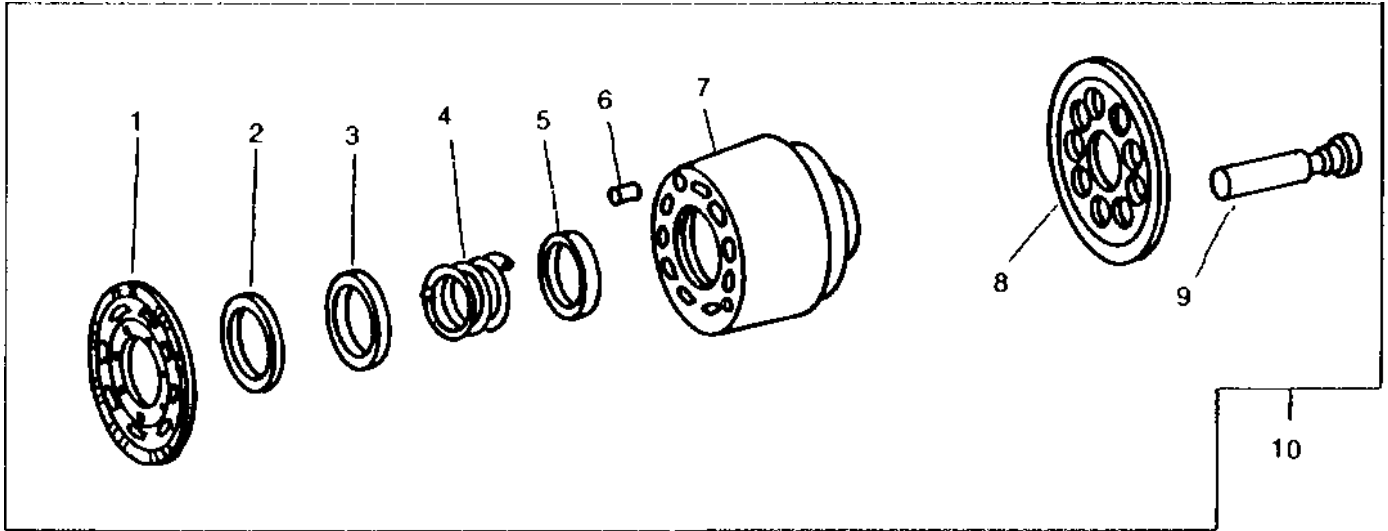
KEY	PART NO.	PART NAME	QTY	SERIAL NO.	REMARKS
1	19H1731	CAP SCREW	12		3/8" X 1"
2	FLANGE	1		(ORDER AH160785)
3	H63271	PIN	5		
4	JD9113	BEARING CUP	1		
5	FLANGE	1		
6	N126585	GASKET	1		
7	SNAP RING	1		
8	HOUSING	1		(ORDER AH160785)
9	AH131169	PISTON	9		(A)
10	RETAINER	1		(A)
11	CYLINDER BLOCK	1		(A)
12	WASHER	1		(A)
13	SPRING	1		(A)
14	WASHER	1		(A)
15	SNAP RING	1		(A)
16	H135500	PLATE	1		(A)
17	AH131171	KIT	1		(INCLUDES PARTS MARKED (A))
18	H135499	PLATE	1		
19	T29342	WASHER	4		17/32" X 1-1/4" X 0.180"
20	19M7493	CAP SCREW	4		M12 X 40
21	N196034	O-RING	2		42.520 X 2.616 MM (1.674" X 0.103")
22	N126612	SNAP RING	1		
23	SEAL KIT	1		(KIT AN193085)
24	N191174	SPRING	6		
25	U15415	O-RING	1		34.646 X 1.778 MM (1.364" X 0.070")
26	T19832	O-RING	1	-645253	64.770 X 2.616 MM (2.550" X 0.103") (SUB R112857)
	R112857	O-RING	1		64.770 X 2.616 MM (2.550" X 0.103")
27	RETAINER	1		(KIT AN193085)
28	AN193085	SEAL KIT	1		
29	AH133660	SHAFT	1		
30	R63308	O-RING	1		120.015 X 5.334 MM (4.725" X 0.210")
..	AH131305	PUMP	1		(SUB AH160785 AND E65288) REMANUFACTURED
..	AH160785	PUMP	1		REMANUFACTURED
..	E65288	O-RING	1		

3C17

POWER TRAIN

**HYDROSTATIC DRIVE MOTOR KIT
(RING AND PINION)**

HP2942 -UN-01JAN94



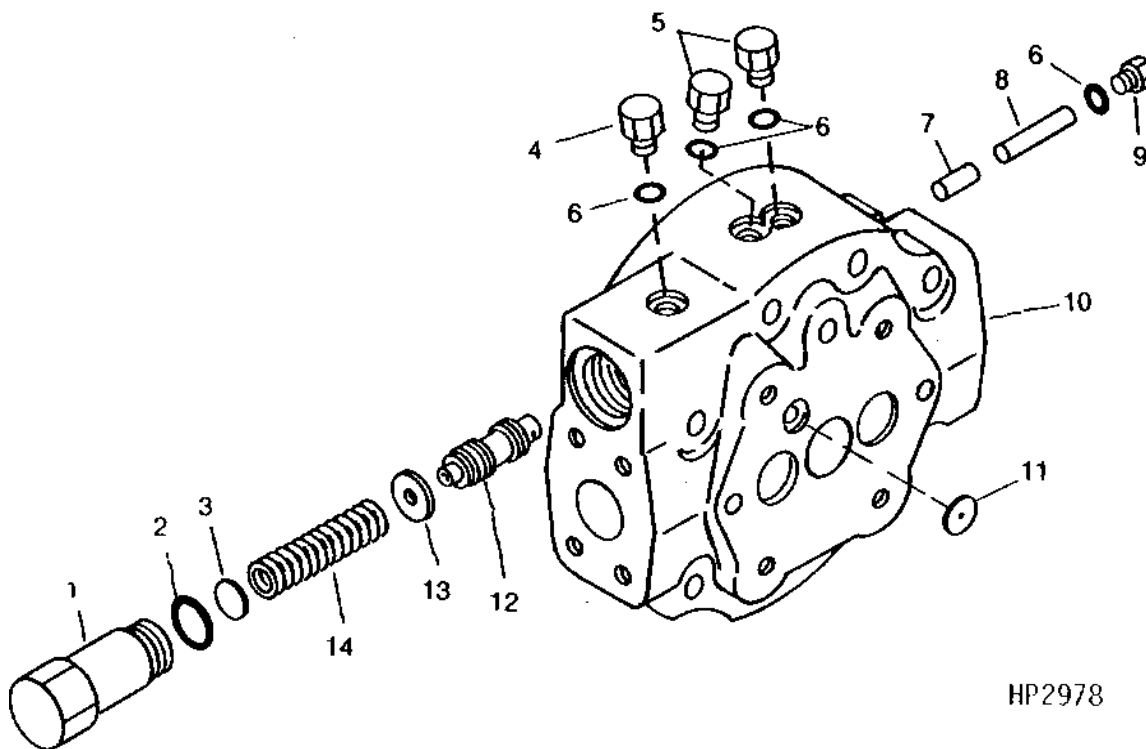
HP2942

KEY	PART NO.	PART NAME	QTY	SERIAL NO.	REMARKS
1	H135500	PLATE	1		
2	SNAP RING	1		
3	SPACER	1		
4	SPRING	1		
5	SPACER	1		
6	H63271	PIN	2		
7	CYLINDER BLOCK	1		
8	PLATE	1		
9	AH131169	PISTON	1		(INCLUDES 9 PISTONS)
10	AH131171	KIT	1		

3C18

HYDROSTATIC DRIVE PUMP COVER (RING AND PINION FINAL DRIVE)

HP2978 -UN-01JAN94

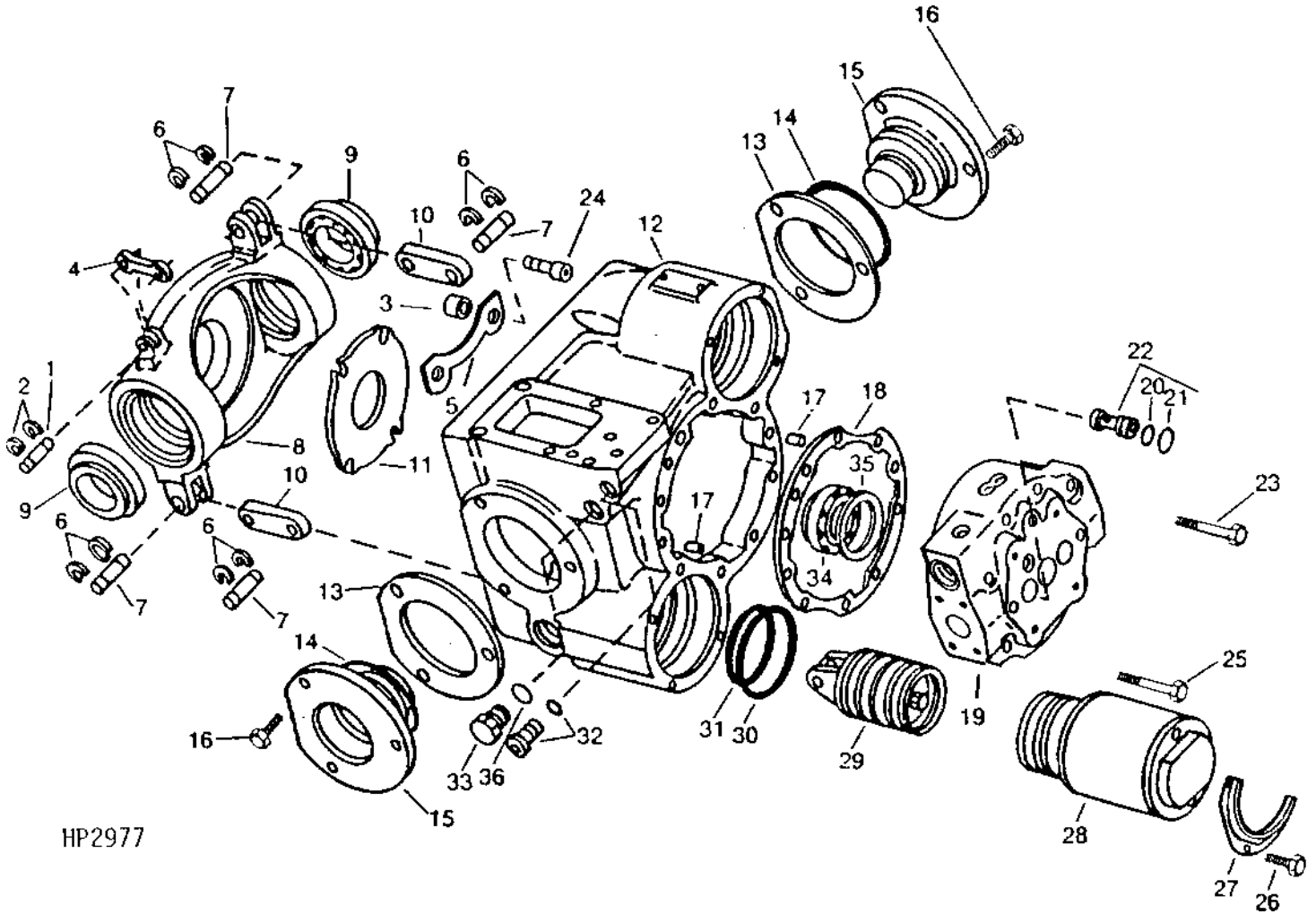


KEY	PART NO.	PART NAME	QTY	SERIAL NO.	REMARKS
1	H135215	HOLDER	1		
2	R26906	O-RING	1		19.177 X 2.464 MM (0.755" X 0.097")
3	AH129278	KIT	1		SHIMS
4	AT63272	FITTING	1		INCS. R30903 O-RING
5	AT63272	FITTING	2		INCS. R30903 O-RING
6	R30903	O-RING	4		6.071 X 1.626 MM (0.239" X 0.064")
7	H135503	NEEDLE ROLLER	1		
8	H135504	NEEDLE ROLLER	1		
9	AT63272	FITTING	1		INCS. R30903 O-RING
10	COVER	1		(ORDER AH160785)
11	H135567	ORIFICE	1		
12	H135214	VALVE SPOOL	1		
13	H135213	WASHER	1		
14	H135211	COMPRESSION SPRING	1		
..	AH131305	PUMP	1		(SUB AH160785 AND E65288) REMANUFACTURED
..	AH160785	PUMP	1		REMANUFACTURED
..	E65288	O-RING	1		

3C19

HYDROSTATIC DRIVE PUMP, HOUSING, SWASHPLATE, AND SERVO CYLINDERS (RING AND PINION)

HP2977 -UN-01JAN94



HP2977

3C20

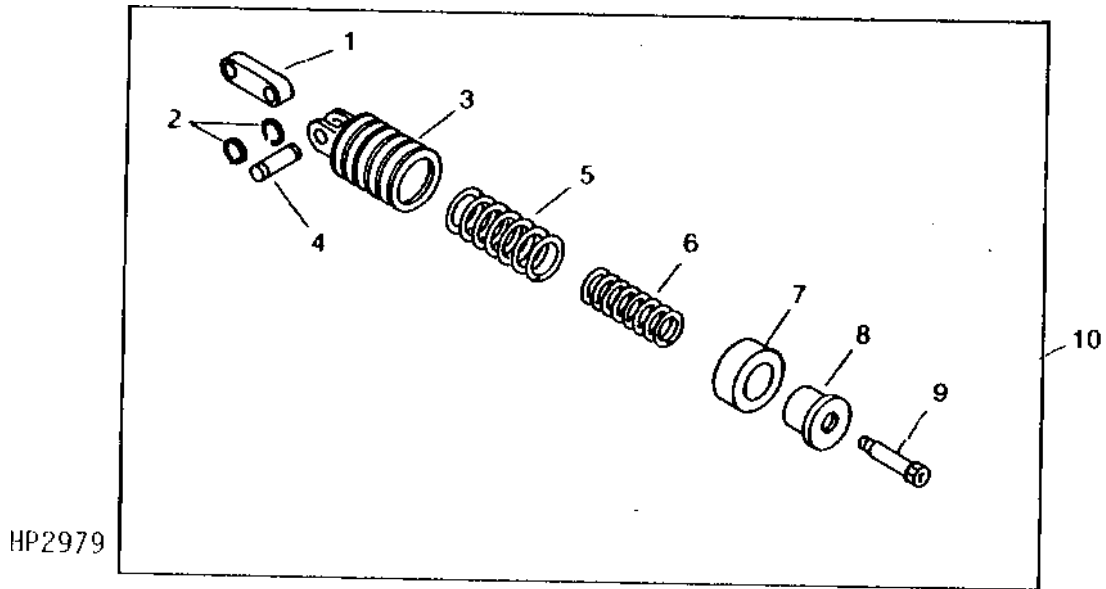
**HYDROSTATIC DRIVE PUMP, HOUSING, SWASHPLATE, AND SERVO CYLINDERS - CONTINUED
(RING AND PINION)**

KEY	PART NO.	PART NAME	QTY	SERIAL NO.	REMARKS
1	N126603	PIN	1		
2	M48000	SNAP RING	2		
3	SPACER	1		(KIT AH131391)
4	LINK	1		(ORDER AH160785)
5	STRAP	1		(KIT AH131391)
6	N126609	SNAP RING	8	-670307	
7	N126599	SNAP RING	8	670308-	(SUB AN274375)
	PIN	4	-670307	
	PIN	4	670308-	
8	SWASH PLATE	1		(ORDER AH160785)
9	JD9076	BEARING CONE	2		
	JD9133	BEARING CUP	2		
10	N126600	LINK	2		
11	PLATE	1		(KIT AH131391)
12	HOUSING	1		(ORDER AH160785)
13	AN122506	SHIM	AR		FOUR, .002", .005", .010" AND .015"
14	T14065	O-RING	2		66.269 X 3.531 MM (2-39/64" X 0.139")
15	TRUNNION	2		(ORDER AH160785)
16	19H2284	CAP SCREW	6		3/8" X 7/8"
17	H63271	PIN	2		
18	H135498	GASKET	1	-645152	(SUB N126581)
	N126584	GASKET	1		
19	COVER	1		(ORDER AH160785)
20	32246	O-RING	2		13.945 X 2.616 MM (0.549" X 0.103")
21	W23690	BACK-UP RING	2		
22	AN122502	CHECK VALVE	2		
23	19H1944	CAP SCREW	6		3/8" X 2-3/4"
24	19H3053	SCREW	4		5/16" X 1"
25	19H1800	CAP SCREW	2		3/8" X 1-1/2"
26	19H3176	SCREW	6		0.164" X 0.380"
27	N126602	RETAINER	2		SERVO
28	AN122493	SLEEVE	2		SERVO, INCLUDES R53543 AND M43518 O-RINGS
29	AH131172	PISTON	2		(INCLUDES KEYS 6, 7 AND 10)
30	R53543	O-RING	2		67.945 X 2.619 MM (2.675" X 0.103")
31	M43518	O-RING	2		61.595 X 2.616 MM (2.425" X 0.103")
32	AN122518	FITTING	1		PLUG, SOCKET HD. UNF, 7/16", INCLUDES O-RING
33	R51031	FITTING	1		
34	AN122507	ROLLER BEARING	1		
35	AN122509	SHIM	1		FIVE, .002", .005", .010" AND .015"
36	R28782	O-RING	2		8.915 X 1.829 MM (0.351" X 0.072")
..	AH131391	KIT	1		(INCLUDES KEYS 3, 5 AND 11)
..	AH131305	PUMP	1		(SUB AH160785 AND E65288) REMANUFACTURED
..	AH160785	PUMP	1		REMANUFACTURED
..	E65288	O-RING	1		

HYDROSTATIC DRIVE PISTON ASSEMBLY

(RING AND PINION)

HP2979 -UN-01JAN94



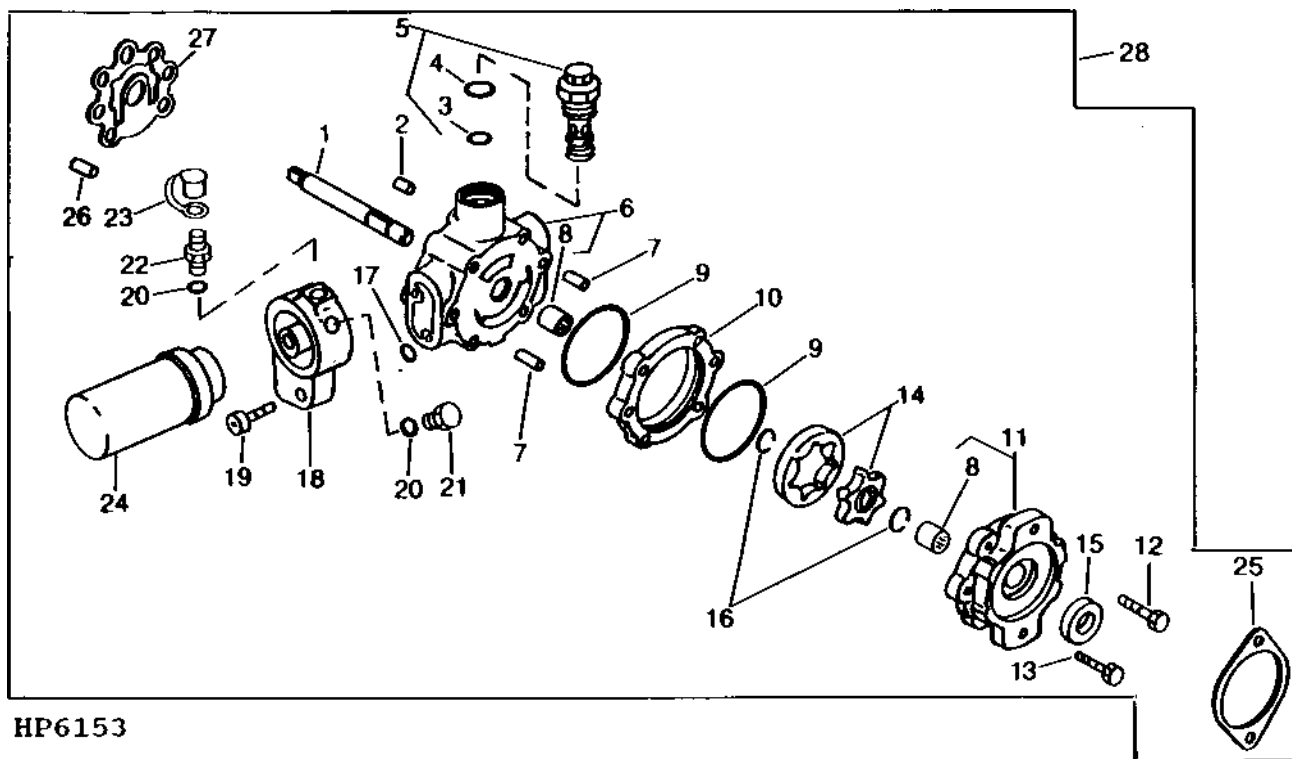
KEY	PART NO.	PART NAME	QTY	SERIAL NO.	REMARKS
1	N126600	LINK	1		
2	N126609	SNAP RING	2	-670307	(SUB AN274375)
3	PISTON	1		
4	N126599	PIN	1	-670307	(SUB AN274375)
5	SPRING	1		
6	SPRING	1		
7	SPACER	1		
8	RETAINER	1		
9	CAP SCREW	1		
10	AH131172	PISTON	1		
..	AN274375	PIN	1		(INCLUDES KEYS 2 AND 4)

3C22

HYDROSTATIC DRIVE CHARGE PUMP

(- 670000)

HP6153 -UN-01SEP95



HP6153

KEY	PART NO.	PART NAME	QTY	SERIAL NO.	REMARKS
1	H135505	DRIVE SHAFT	1		
2	N126638	PIN	1		
3	H63289	O-RING	1		20.295 X 2.616 MM (0.799" X 0.103")
4	U17409	O-RING	1		26.619 X 2.946 MM (1.048" X 0.116")
5	AN122498	RELIEF VALVE	1		
6	HOUSING	1		(A)
7	N126601	BUSHING	1		
8	NEEDLE BEARING	1		(A)
9	H135570	O-RING	1		78.994 X 1.778 MM (3.110" X 0.070")
10	SPACER	1		(A)
11	COVER	1		(A)
12	19H1875	CAP SCREW	2		5/16" X 1-3/4"
13	SCREW	4		(A)
14	OIL PUMP	1		(A)
15	AH131170	SEAL	1		
16	SNAP RING	2		(A)
17	R34404	O-RING	2		17.120 X 2.616 MM (0.674" X 0.103") (SUB P48347)
18	H151087	FILTER HEAD	1		
19	19H3093	SCREW	2		
20	R26448	O-RING	2		11.887 X 1.981 MM (0.468" X 5/64")
21	R27218	FITTING PLUG	1		
22	AH125760	HYD. QUICK-CONNECT COUPLER	1		
23	R77175	COVER	1		
24	AH128449	HYDRAULIC FILTER	1		
25	H131121	GASKET	1		
26	H63271	PIN	2		
27	H135497	GASKET	1		
28	AH131167	HYDRAULIC PUMP	1		(SUB AH160745 AND E65288) (INCLUDES PARTS MARKED (A))
	AH160745	HYDRAULIC PUMP	1		
	E65288	O-RING	1		

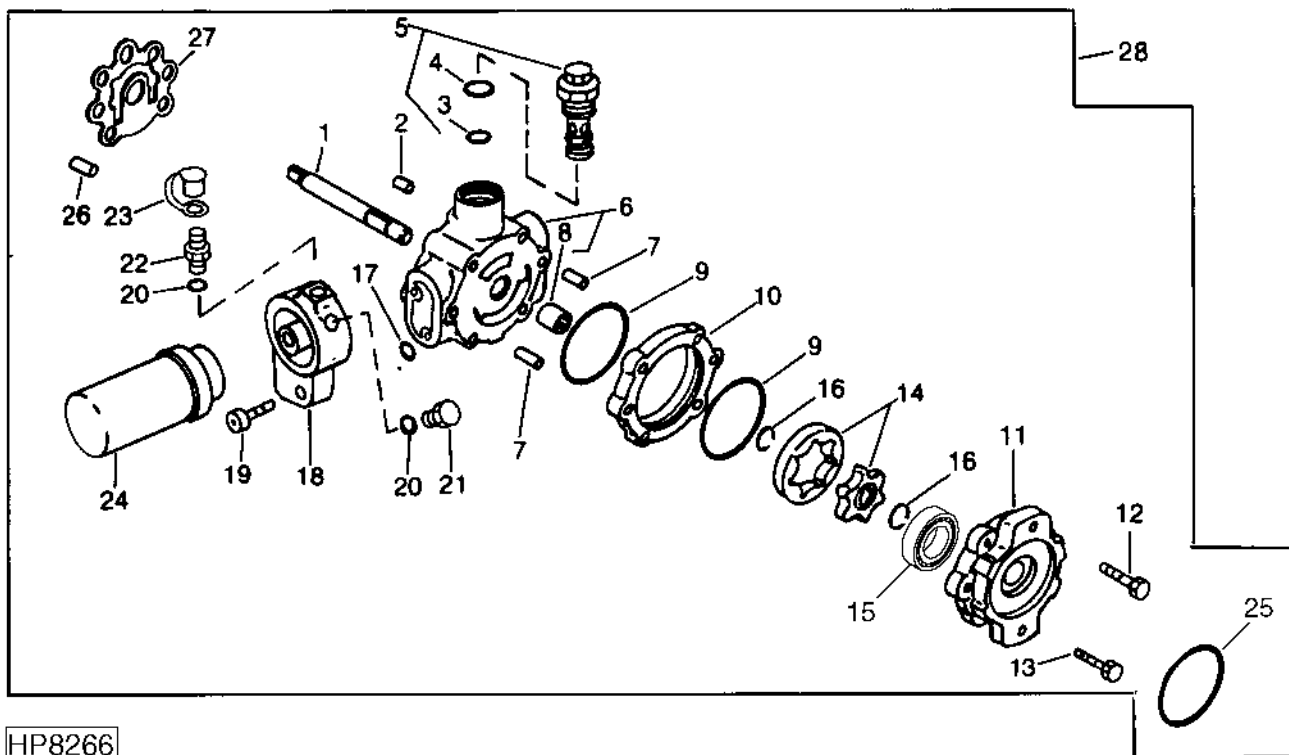
NOTE: PARTS ON THIS PAGE ARE ALSO FURNISHED AS PART OF AH160785 HYDROSTATIC DRIVE UNIT. (RING AND PINION FINAL DRIVE)

3C23

POWER TRAIN

HYDROSTATIC DRIVE CHARGE PUMP

(670000 -)
HP8266 -UN-19FEB99



KEY	PART NO.	PART NAME	QTY	SERIAL NO.	REMARKS
1	DRIVE SHAFT	1		
2	N126638	PIN	1		
3	H63289	O-RING	1	20.295 X 2.616 MM (0.799" X 0.103")	
4	U17409	O-RING	1	26.619 X 2.946 MM (1.048" X 0.116")	
5	AN122498	RELIEF VALVE	1		
6	HOUSING	1	(A)	
7	N126601	BUSHING	1		
8	NEEDLE BEARING	1	(A)	
9	H135570	O-RING	1	78.994 X 1.778 MM (3.110" X 0.070")	
10	SPACER	1	(A)	
11	COVER	1	(A)	
12	19H1875	CAP SCREW	2	5/16" X 1-3/4"	
13	SCREW	4	(A)	
14	OIL PUMP	1	(A)	
15	BALL BEARING	1		
16	SNAP RING	2	(A)	
17	R34404	O-RING	2	17.120 X 2.616 MM (0.674" X 0.103")	
18	H151087	FILTER HEAD	1		
19	19H3093	SCREW	2	9.525 X 44.450 MM (3/8" X 1-3/4")	
20	R26448	O-RING	2	11.887 X 1.981 MM (0.468" X 5/64")	
21	R27218	FITTING PLUG	1		
22	AH125760	HYD. QUICK-CONNECT COUPLER	1		
23	R77175	COVER	1		
24	AH128449	HYDRAULIC FILTER	1		
25	E65288	O-RING	1		
26	H63271	PIN	2		
27	H135497	GASKET	1		
28	AH160745	HYDRAULIC PUMP	1	(INCLUDES PARTS MARKED (A))	

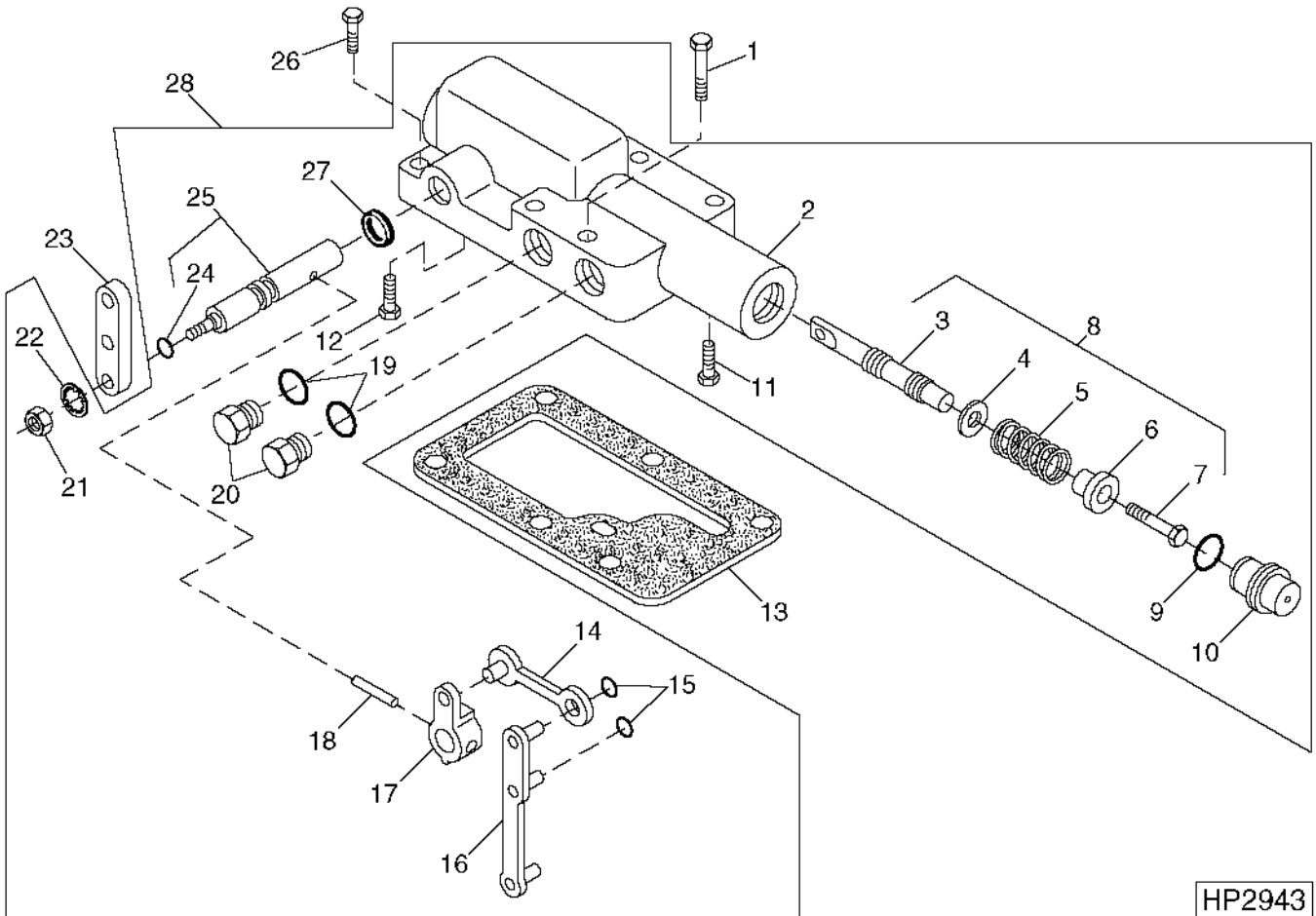
NOTE: PARTS ON THIS PAGE ARE ALSO FURNISHED AS PART OF AH160785 HYDROSTATIC DRIVE UNIT.

MEMORANDA

3C24

HYDROSTATIC DRIVE DISPLACEMENT CONTROL VALVE

HP2943 -UN-13AUG99



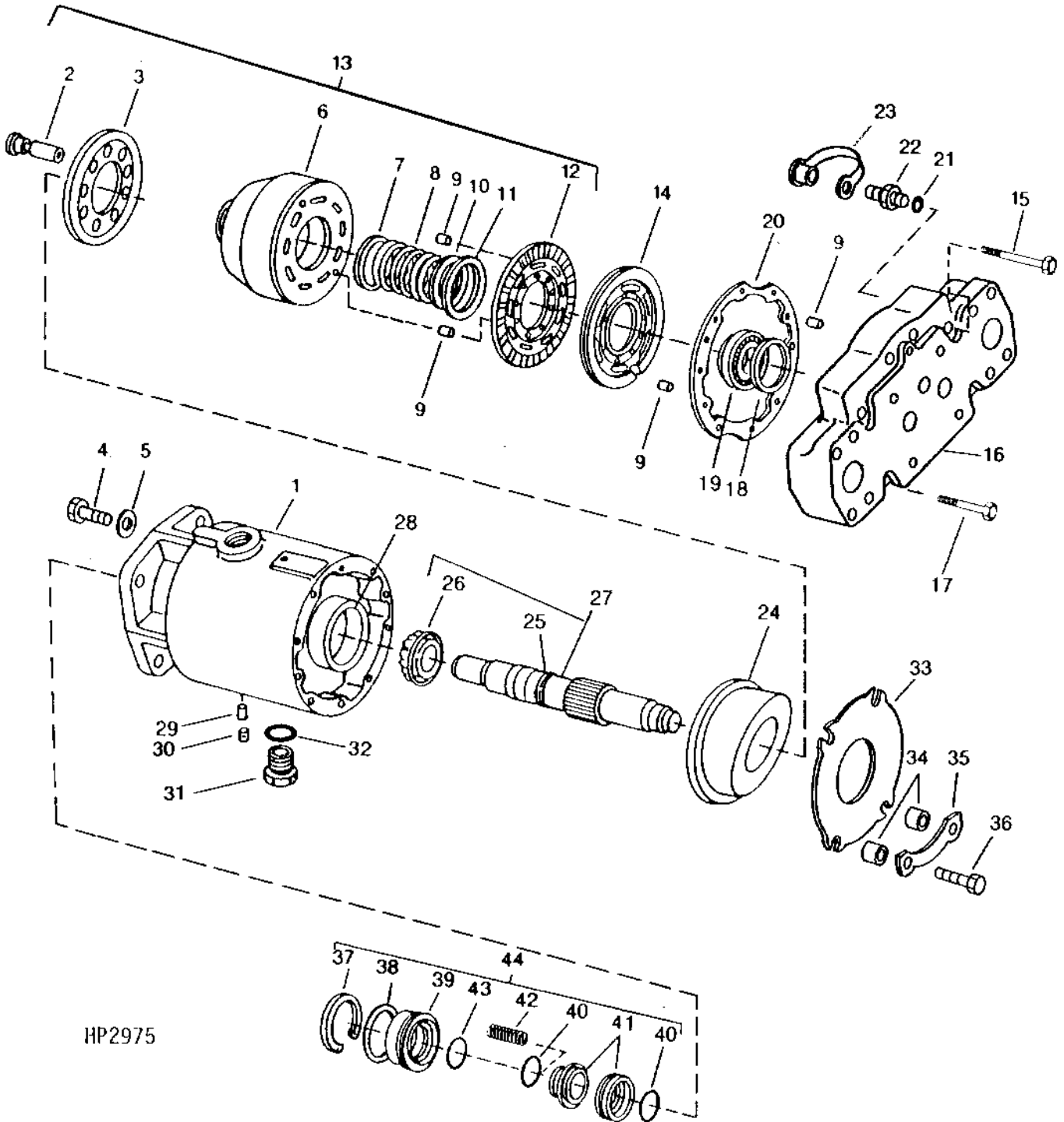
HYDROSTATIC DRIVE DISPLACEMENT CONTROL VALVE - CONTINUED

KEY	PART NO.	PART NAME	QTY	SERIAL NO.	REMARKS
1	19H1875	CAP SCREW	2	5/16" X 1-3/4"	
2	HOUSING	1	(B)	
3	SPOOL	1	(A)	
4	WASHER	1	(A)	
5	SPRING	1	(A)	
6	RETAINER	1	(A)	
7	CAP SCREW	1	(A)	
8	AH129284	KIT	1	(INCLUDES PARTS MARKED (A))	
9	R27166	O-RING	1	15.596 X 1.778 MM (0.614" X 0.070")	
10	N126641	SCREW	1		
11	AN122494	BOLT	1		
12	AN122499	BOLT	1		
13	N126586	GASKET	1		
14	LINK	1	(B)	
15	M48000	SNAP RING	2		
16	LINK	1	(B)	
17	CONNECTOR	1	(B)	
18	34H311	SPRING PIN	1	1/4" X 7/8"	
19	R26448	O-RING	2	11.887 X 1.981 MM (0.468" X 5/64")	
20	R27218	FITTING PLUG	2		
21	14H785	NUT	1	5/16"	
22	12M7032	LOCK WASHER	1	8.400 MM (0.331") (SUB FOR 12H291)	
23	H168988	LEVER	1	(SUB FOR H126583)	
24	A3917R	O-RING	1	9.246 X 1.778 MM (0.364" X 0.070") (SUB FOR R65286)	
25	AN193084	SHAFT	1		
26	19H1905	CAP SCREW	4	5/16" X 1"	
27	H136163	SEAL	1		
28	AH131168	CONTROL VALVE	1	(INCLUDES PARTS MARKED (B))	

NOTE: PARTS ON THIS PAGE ARE ALSO FURNISHED AS PART OF AH160785 HYDROSTATIC DRIVE UNIT.
(SINGLE REDUCTION FINAL DRIVE)

3D1

HYDROSTATIC DRIVE MOTOR
(RING AND PINION)
HP2975 -UN-01JAN94



HP2975

HYDROSTATIC DRIVE MOTOR - CONTINUED
(RING AND PINION)

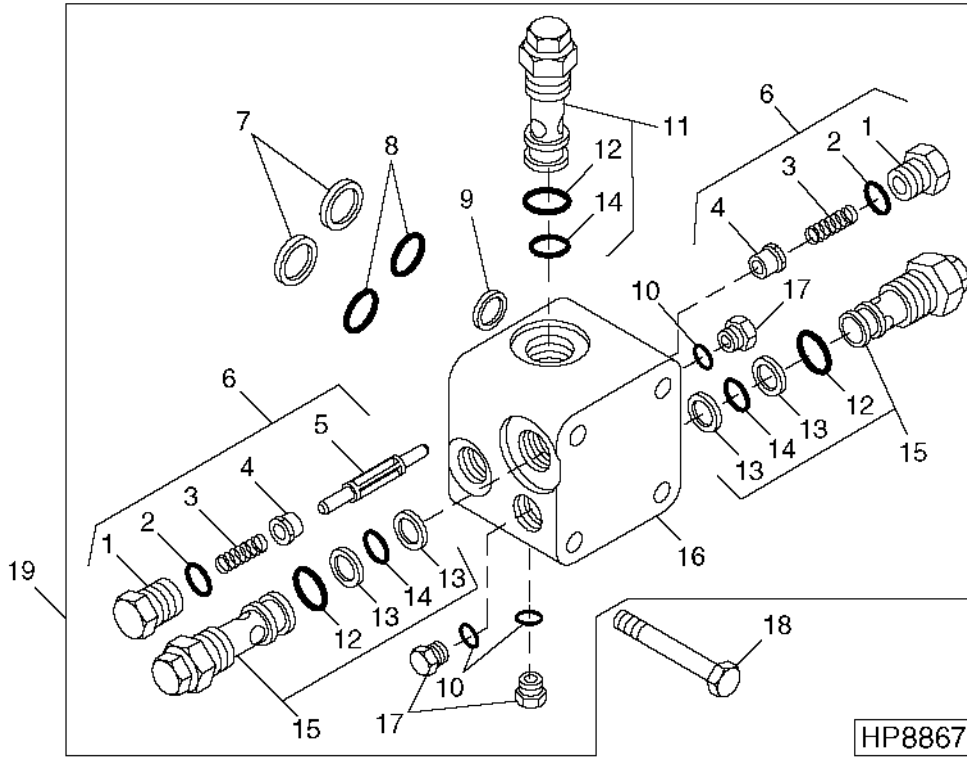
KEY	PART NO.	PART NAME	QTY	SERIAL NO.	REMARKS
1	HOUSING	1	(SUB AH131310)	
2	AH131169	PISTON	1		
3	RETAINER	1	(KIT AH131171)	
4	19H3192	SCREW	2	5/16" X 3"	
5	H135571	SEALING WASHER	2		
6	CYLINDER BLOCK	1	(KIT AH131171)	
7	WASHER	1	(KIT AH131171)	
8	SPRING	1	(KIT AH131171)	
9	H63271	PIN	5		
10	WASHER	1	(KIT AH131171)	
11	SNAP RING	1	(KIT AH131171)	
12	H135500	PLATE	1		
13	AH131171	KIT	1		
14	H135509	PLATE	1		
15	19H1944	CAP SCREW	6	3/8" X 2-3/4"	
16	COVER	1	(SUB AH131310)	
17	19H1800	CAP SCREW	2	3/8" X 1-1/2"	
18	AN122509	SHIM	1	FIVE, .002", .005", .010" AND .015"	
19	AN122507	ROLLER BEARING	1		
20	H135508	GASKET	1		
21	R26448	O-RING	2	11.887 X 1.981 MM (0.468" X 5/64")	
22	AH125760	HYD. QUICK-CONNECT COUPLER	2		
23	R77175	COVER	2		
24	SWASH PLATE	1	(SUB AH131310)	
25	SNAP RING	1		
26	FLANGE	1		
27	AH133661	SHAFT	1		
28	JD9113	BEARING CUP	1		
29	H64813	DOWEL PIN	1		
30	15H558	PIPE PLUG	1	1/8"	
31	R27175	DRAIN PLUG	1		
32	U12547	O-RING	1	23.470 X 2.946 MM (0.924" X 0.116")	
33	PLATE	1	(KIT AH131391)	
34	SPACER	4	(KIT AH131391)	
35	STRAP	1	(KIT AH131391)	
36	19H3053	SCREW	4	5/16" X 1"	
37	N126612	SNAP RING	1		
38	T19832	O-RING	1	-645253 64.770 X 2.616 MM (2.550" X 0.103") (SUB R112857)	
	R112857	O-RING	1	64.770 X 2.616 MM (2.550" X 0.103")	
39	RETAINER	1	(KIT AN193085)	
40	N196034	O-RING	2		
41	SEAL KIT	1	(KIT AN193085)	
42	N191174	SPRING	6		
43	U15415	O-RING	1	34.646 X 1.778 MM (1.364" X 0.070")	
44	AN193085	SEAL KIT	1		
..	AH131391	KIT	1	(INCLUDES KEYS 33, 34 AND 35)	
..	AH131310	MOTOR	1	(INCLUDES AH131173 MOTOR VALVE) REMANUFACTURED	

3D3

POWER TRAIN

HYDROSTATIC MOTOR VALVE (RING AND PINION)

HP8867 -UN-27JUL99

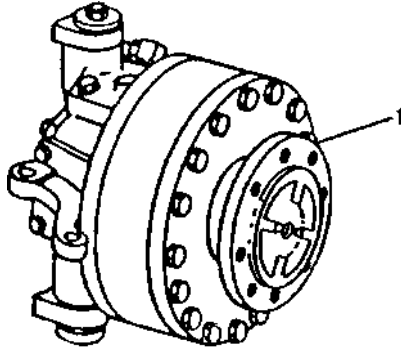


KEY	PART NO.	PART NAME	QTY	SERIAL NO.	REMARKS
1	R27175	DRAIN PLUG	2		
2	R26906	O-RING	2		19.177 X 2.464 MM (0.755" X 0.097")
3	SPRING	1		
4	N126654	VALVE	2		SHUTTLE
5	N128541	SPOOL	1		SHUTTLE
6	AH131308	KIT	1		
7	U40729	BACK-UP RING	2		
8	N130510	O-RING	2		21.895 X 2.616 MM (0.862" X 0.103")
9	AN272356	SEAL KIT	1		(SUB FOR N126588)
10	R28782	O-RING	3		8.915 X 1.829 MM (0.351" X 0.072")
11	AN122497	RELIEF VALVE	1		LOW PRESSURE
12	U17409	O-RING	3		26.619 X 2.946 MM (1.048" X 0.116")
13	H63288	RING	4		
14	H63289	O-RING	3		20.295 X 2.616 MM (0.799" X 0.103")
15	AH129280	RELIEF VALVE	2	-29SE97	HIGH PRESSURE
	AH131174	RELIEF VALVE	2	30SE97-	HIGH PRESSURE
16	CASE	1		
17	R51031	FITTING	3		
18	19H2228	CAP SCREW	4		3/8" X 4"
19	AH141811	VALVE	1		(SUB FOR AH131173)

3D4

POWER TRAIN

CAM LOBE MOTOR (1200 CC)
RXP6972 -UN-01JAN94



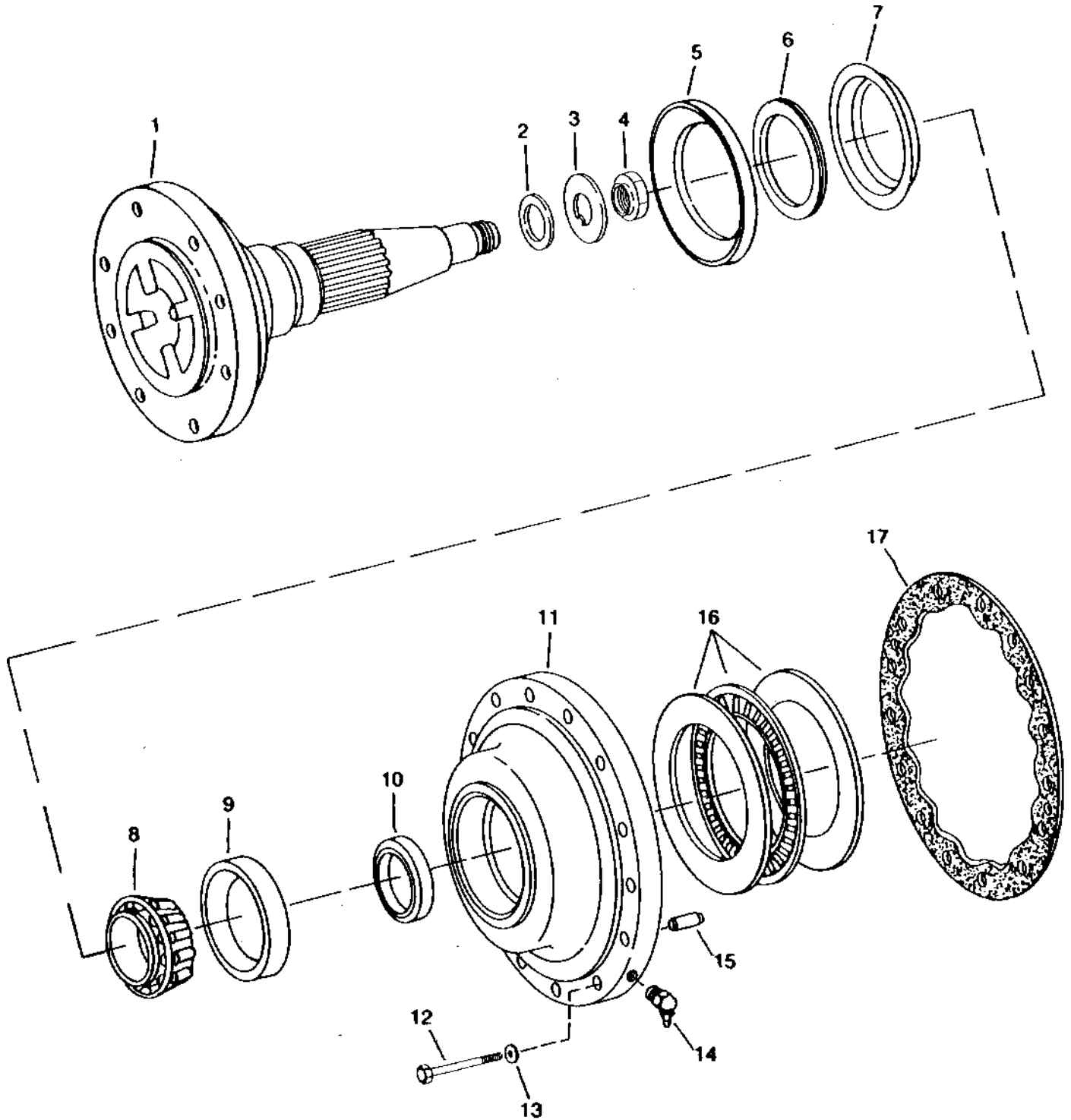
RXP6972

KEY	PART NO.	PART NAME	QTY	SERIAL NO.	REMARKS
1	RE33336	MOTOR	1		R.H. COMPLETE COMPONENT
	RE33337	MOTOR	1		L.H. COMPLETE COMPONENT
..	BH71746	COMPLETE GOODS/SHIP. BUNDLE	1		4-WHEEL DRIVE CONVERSION
..	BH71883	COMPLETE GOODS/SHIP. BUNDLE	1		4-WHEEL DRIVE CONVERSION

3D5

POWER TRAIN

SHAFT, OUTER COVER, BEARING AND SEALS
CAM LOBE MOTOR (1200 CC)
RXP6957 -UN-01JAN94



RXP6957

3D6

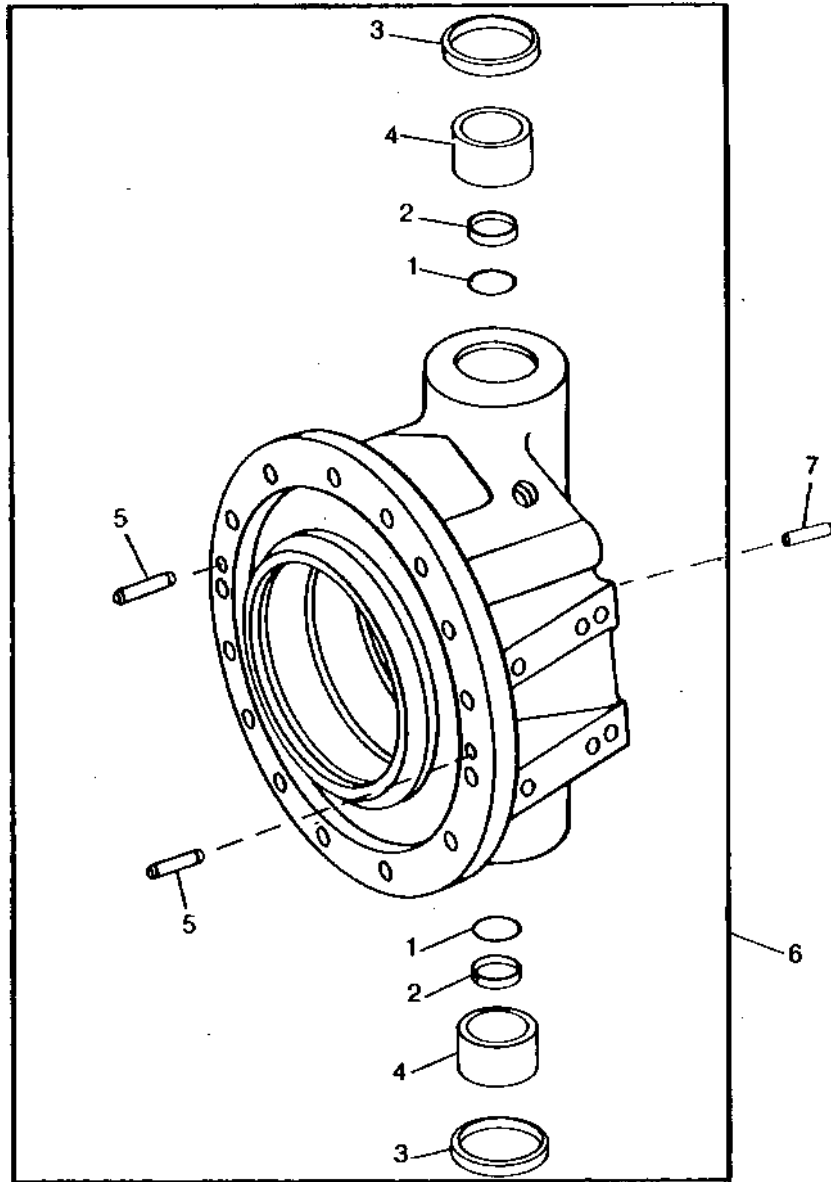
POWER TRAIN

**SHAFT, OUTER COVER, BEARING AND SEALS - CONTINUED
CAM LOBE MOTOR (1200 CC)**

KEY	PART NO.	PART NAME	QTY	SERIAL NO.	REMARKS
1	R88972	SPINDLE	1		(SUB R111995) (ALSO ORDER RE49243)
	R111995	SPINDLE	1		
2	JD9849	THRUST BEARING	1		
3	R93180	WASHER	1		
4	R92160	NUT	1		
5	R93030	SEAL	1		
6	RE31701	SEAL	1		(USE WITH R88972)
	RE49243	SEAL	1		(USE WITH R111995)
7	R57269	OIL CUP	1		
8	JD10462	BEARING CONE	1		
9	JD7448	BEARING CUP	1		
10	RE32824	SEAL	1		
11	R88829	COVER	1		
12	R89610	CAP SCREW	15		1/2" X 6"
13	R32214	WASHER	15		
14	JD7847	LUBRICATION FITTING	1		
15	R26650	DOWEL PIN	2		
16	RE68401	THRUST BEARING	1		(SUB FOR RE22642)
17	R93142	GASKET	1		

3D7

INNER COVER
RXP7788 -UN-01JAN94



RXP7788

3D8

POWER TRAIN

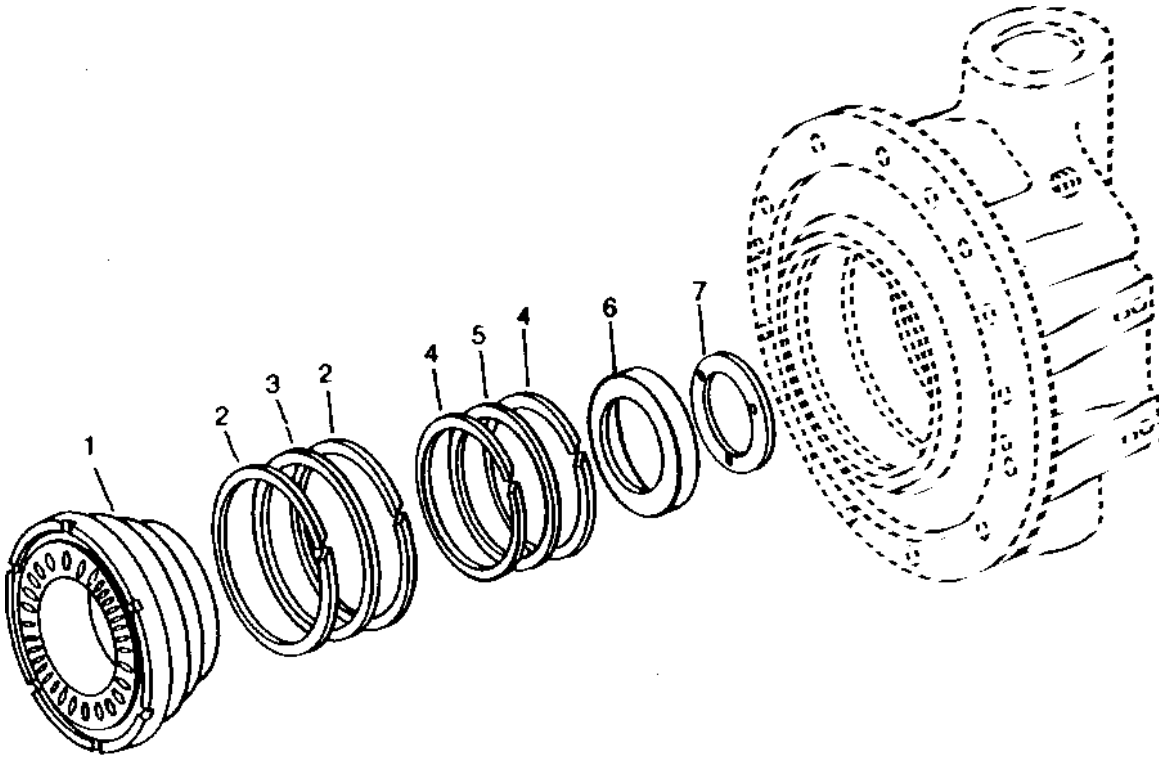
INNER COVER - CONTINUED

KEY	PART NO.	PART NAME	QTY	SERIAL NO.	REMARKS
1	U11647	O-RING	2		
2	R73102	WASHER	2		
3	AR86539	SEAL	2		
4	R68102	BUSHING	2		
5	R26650	DOWEL PIN	2		
6	RE39131	COVER	1		(MARKED R93105)
7	R71711	DOWEL PIN	1		

3D9

POWER TRAIN

MANIFOLD AND PACKING
RXP7841 -UN-01JAN94



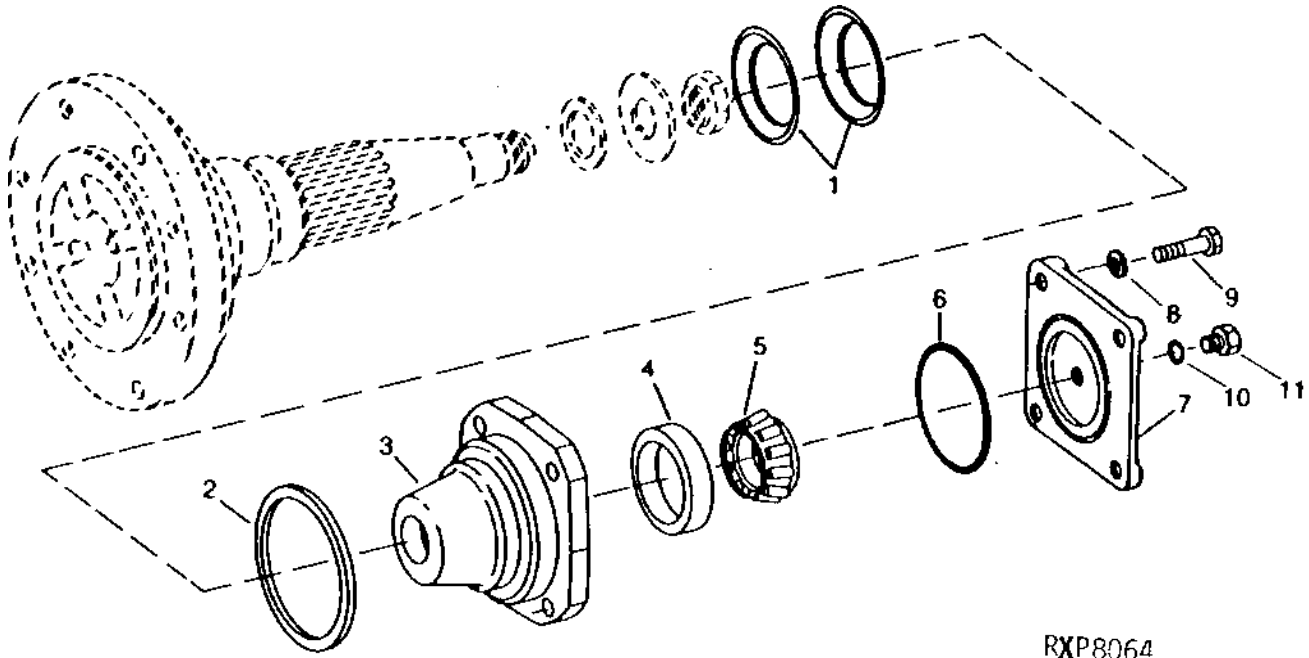
RXP7841

KEY	PART NO.	PART NAME	QTY	SERIAL NO.	REMARKS
1	R99377	MANIFOLD	1		
2	R74690	BACK-UP RING	2		
3	R74696	WASHER	1		
4	R74689	BACK-UP RING	2		
5	R74697	WASHER	1		
6	R74693	PACKING	1		ALSO FURNISH R74694
7	R74694	BACK-UP RING	1		ALSO FURNISH R74693

3D10

POWER TRAIN

QUILL, BEARING AND COVER
RXP8064 -UN-01JAN94

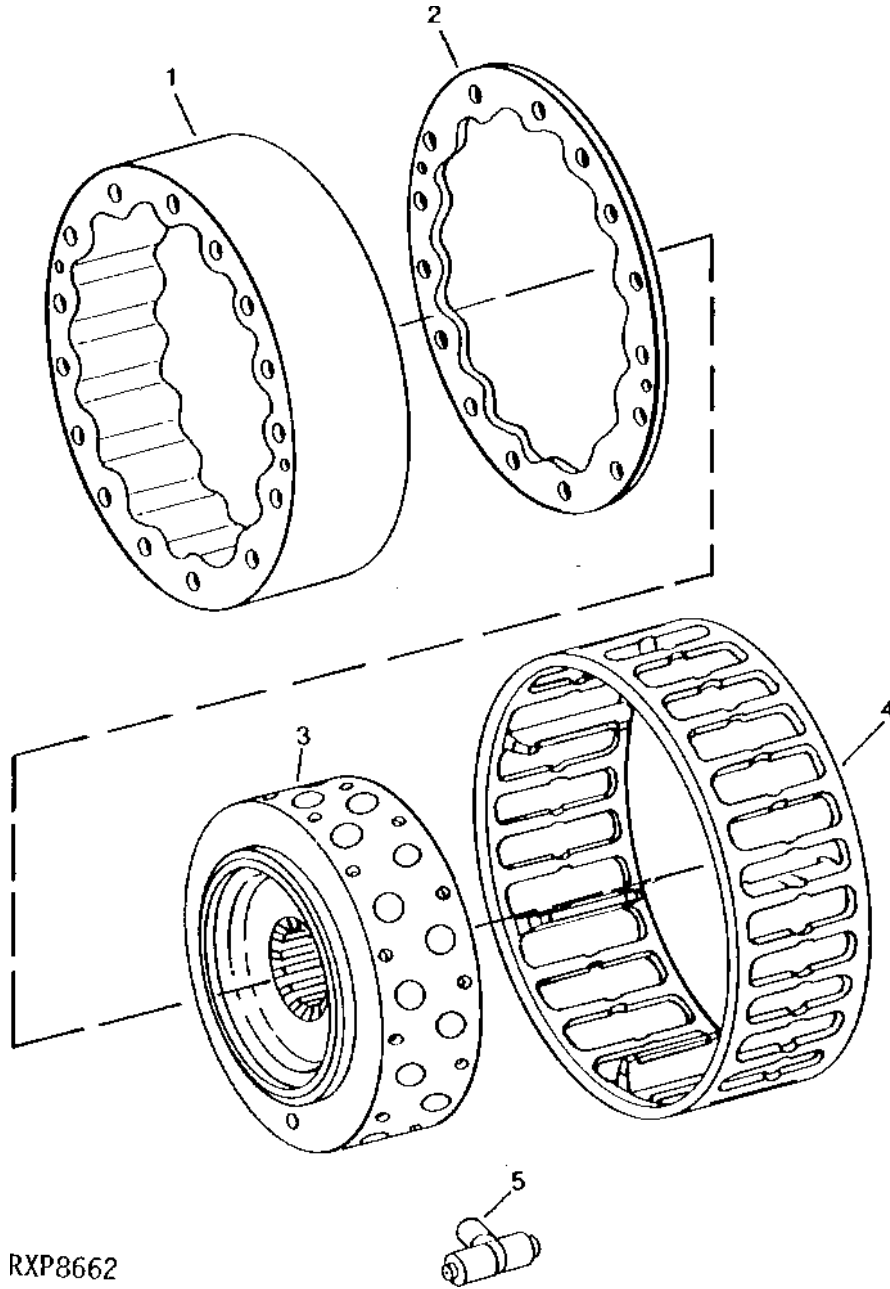


RXP8064

KEY	PART NO.	PART NAME	QTY	SERIAL NO.	REMARKS
1	R85588	WASHER	2		
2	R39876	PACKING	1		
3	R92104	BEARING HOUSING W/O BEARING	1		
4	JD9109	BEARING CUP	1		
5	JD9043	BEARING CONE	1		
6	E55758	O-RING	1		113.970 X 2.616 MM (4.487" X 0.103")
7	R100727	COVER	1		(SUB FOR R92387)
8	R69536	WASHER	6		
9	19H3065	CAP SCREW	6		3/8" X 2", (SUB FOR 19H3267)
10	R28782	O-RING	1		8.915 X 1.829 MM (0.351" X 0.072")
11	R51031	FITTING	1		

3D11

CARRIER, PISTONS AND CAM
RXP8662 -UN-01JAN94



RXP8662

3D12

POWER TRAIN

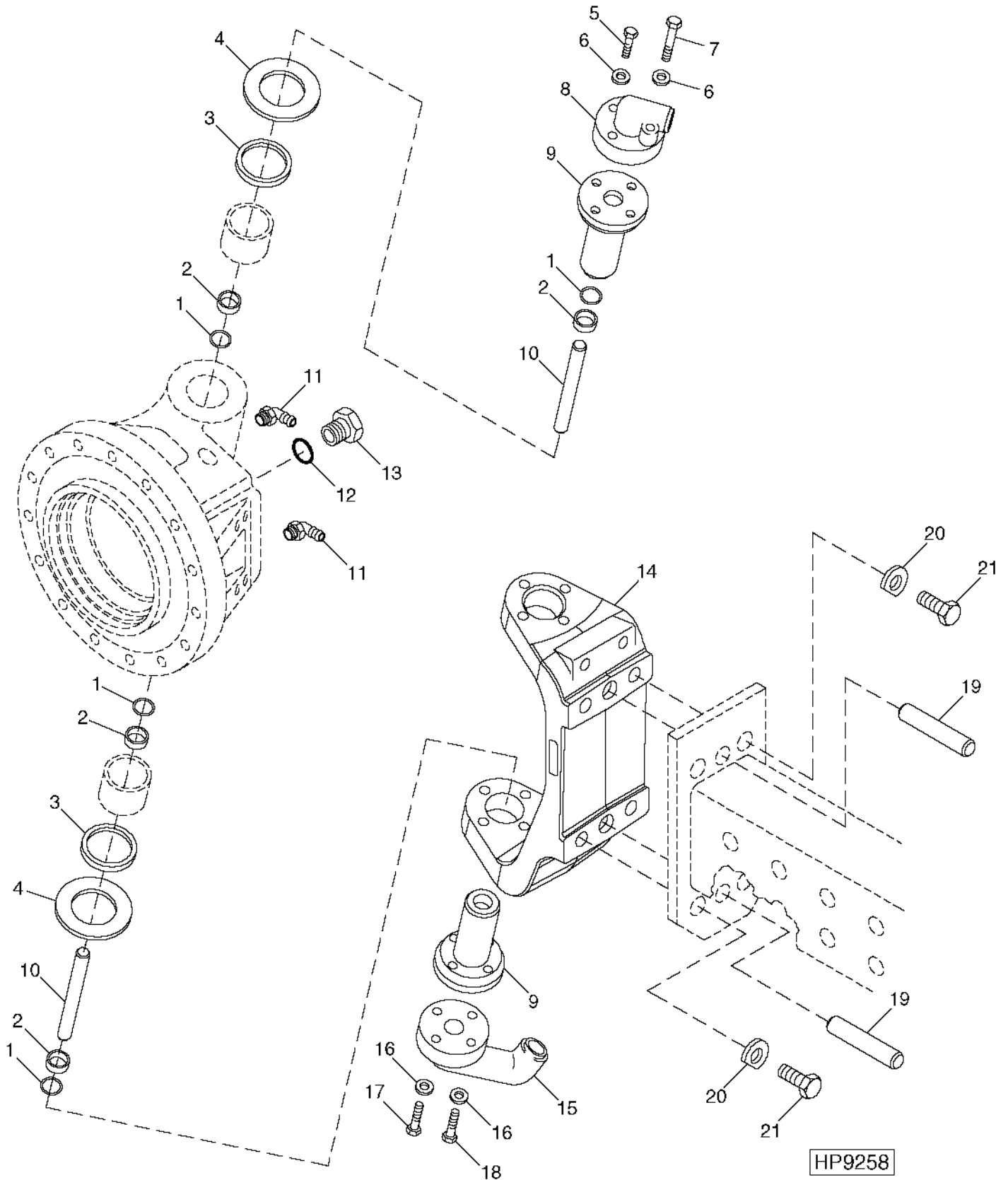
CARRIER, PISTONS AND CAM (1200 CC)-CONTINUED

KEY	PART NO.	PART NAME	QTY	SERIAL NO.	REMARKS
1	R92148	CAM	1		(SUB FOR R69927)
2	R93142	GASKET	1		
3	R88959	HYD. MOTOR PISTON CARRIER	1		
4	R92979	GUIDE	1		
5	RE27837	HYD. MOTOR PISTON CARRIER	18		

3D13

POWER TRAIN

YOKE, PIVOTS AND CAPS
HP9258
-UN-12NOV99



3D14

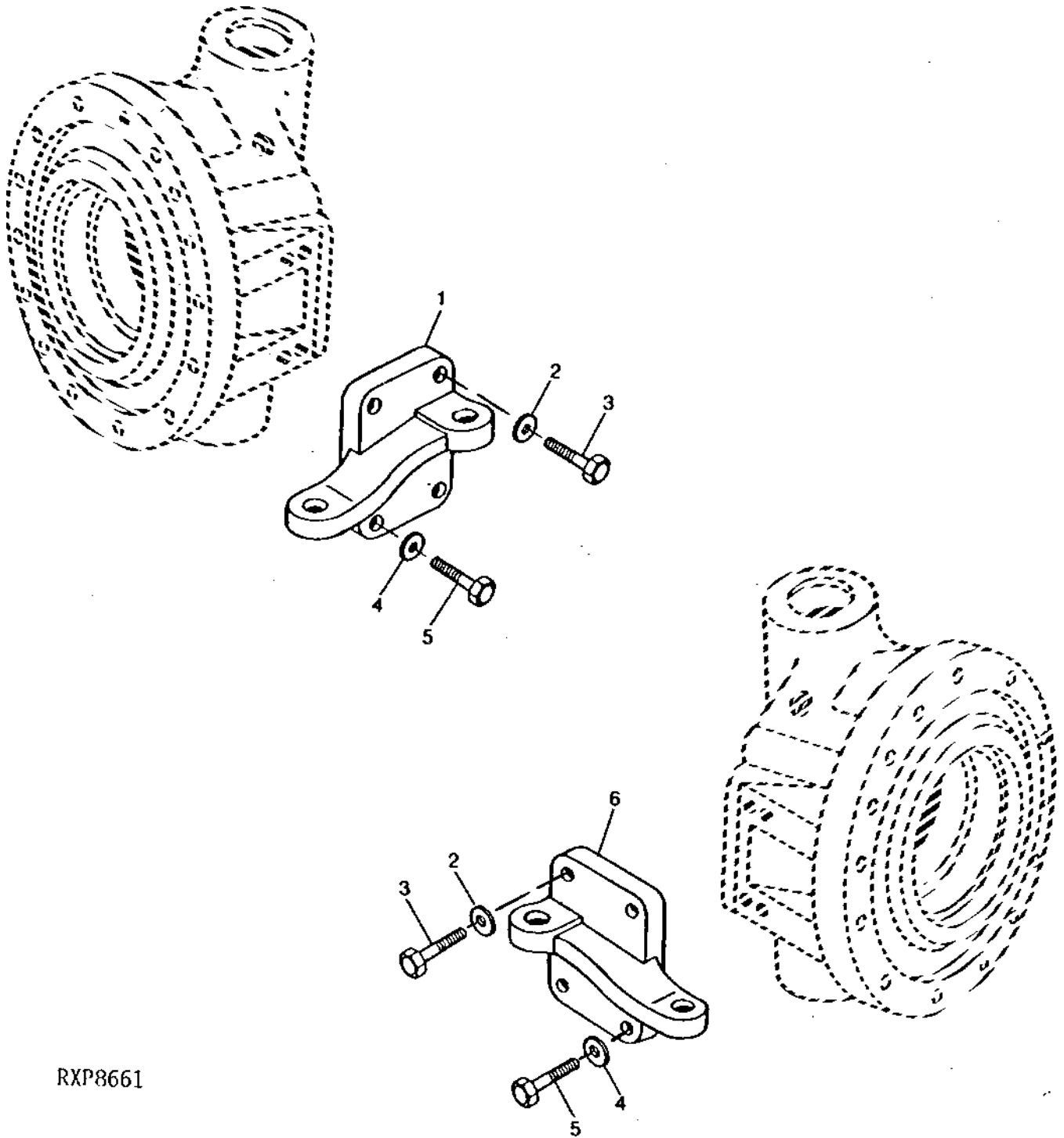
POWER TRAIN

YOKE, PIVOTS AND CAPS - CONTINUED

KEY	PART NO.	PART NAME	QTY	SERIAL NO.	REMARKS
1	U11647	O-RING	4		21.819 X 3.531 MM (55/64" X 0.139")
2	R73102	WASHER	4		
3	AR86539	SEAL	2		
4	R60239	THRUST WASHER	2		
5	19H3267	CAP SCREW	2		3/8" X 1-5/8"
6	R69536	WASHER	4		
7	19H2855	CAP SCREW	2		3/8" X 3-1/4"
8	R85374	CAP	1		
9	R85376	PIN	2		
10	R85378	TUBE	2		
11	JD7799	LUBRICATION FITTING	3		65° X 0.840" LONG, (SUB FOR JD7847)
12	R26375	O-RING	1		16.358 X 2.210 MM (0.644" X 0.087")
13	R39112	FITTING	1		
14	R89015	YOKE	1		
15	R85373	CAP	1		
16	R69536	WASHER	4		
17	19H3267	CAP SCREW	2		
18	19H3031	CAP SCREW	2		
19	H75423	PIN	2		
20	H144293	WASHER	4		
21	19H3126	CAP SCREW	4		3/4" X 2-1/4"

3D15

STEERING ARMS
RXP8661 -UN-01JAN94



RXP8661

3D16

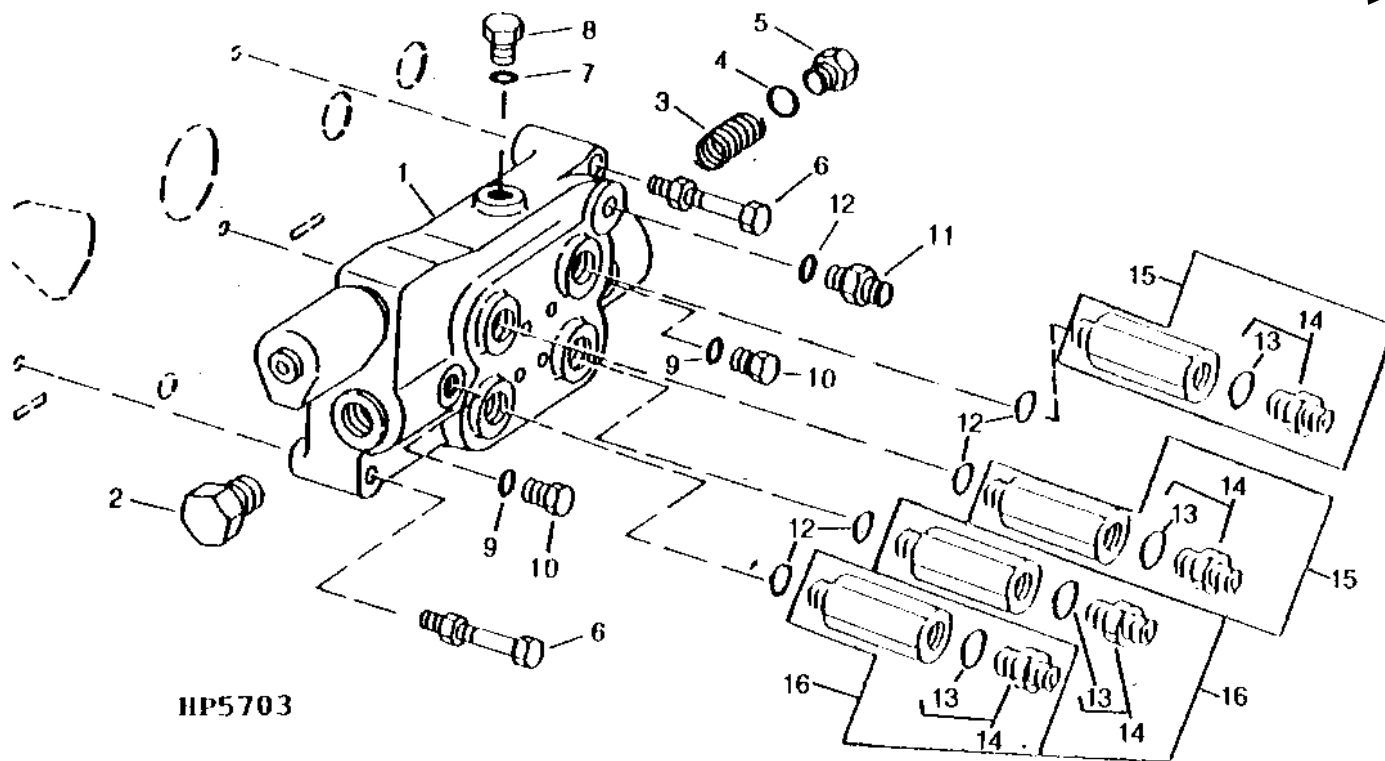
POWER TRAIN

STEERING ARMS - CONTINUED

KEY	PART NO.	PART NAME	QTY	SERIAL NO.	REMARKS
1	R92977	STEERING ARM	1		L.H.
2	U41353	WASHER	2		
3	19H2710	CAP SCREW	2		5/8" X 1-3/4"
4	R32214	WASHER	2		
5	19H2993	CAP SCREW	2		1/2" X 1-1/2"
6	R92978	STEERING ARM	1		R.H.

3D17

**CONTROL VALVE
(4-WHEEL DRIVE)**
(-655100)
HP5703 -UN-01JAN94



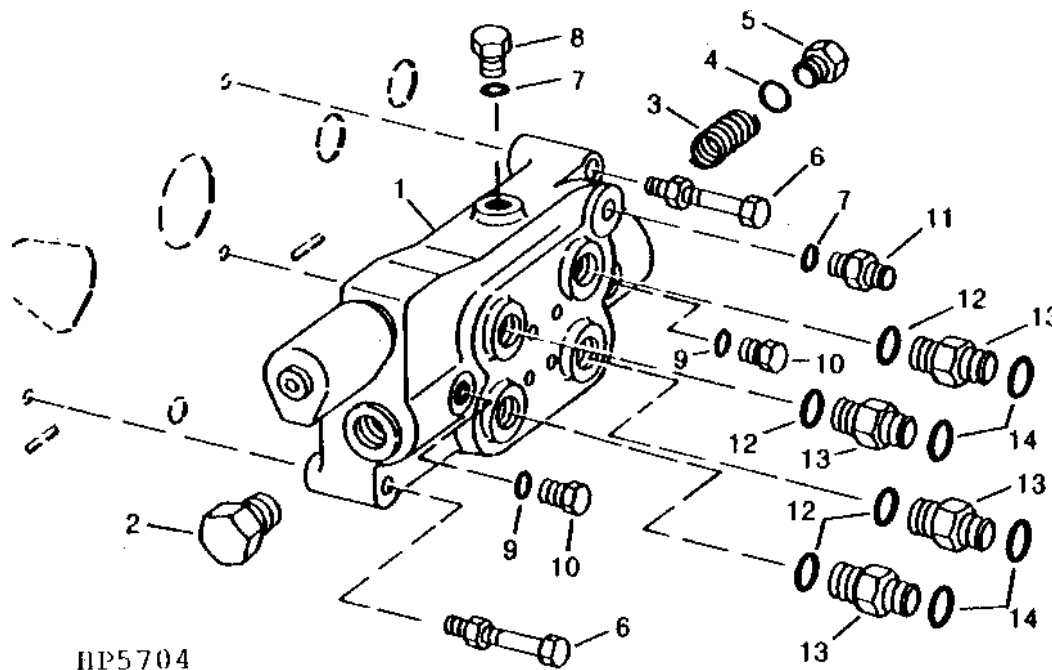
HP5703

KEY	PART NO.	PART NAME	QTY	SERIAL NO.	REMARKS
1	AH128672	VALVE	1		CONTROL WITH SOLENOID
2	AU40993	FITTING	1		
3	R45182	SPRING	1		
4	R31674	O-RING	1		25.070 X 2.616 MM (0.987" X 0.103")
5	AH84695	FITTING	1		
6	19M7803	SCREW	3	M8 X 70	
	14M7298	FLANGE NUT	3	M8	
7	R26448	O-RING	2		11.887 X 1.981 MM (0.468" X 5/64")
8	R27218	FITTING PLUG	1		
9	R28782	O-RING	2		8.915 X 1.829 MM (0.351" X 0.072")
10	R51031	FITTING	2		
11	38H1168	ADAPTER	1		
12	U12547	O-RING	4		23.470 X 2.946 MM (0.924" X 0.116")
13	H84318	O-RING	4		31.420 X 2.616 MM (1.237" X 0.103")
14	AH140433	FITTING	4		INCLUDES H84318 O-RING
15	AH130950	CONTROL VALVE	2		REVERSE (WITH 1200 CC REAR MOTOR) PORTS "B" AND "D"
16	AH121150	CONTROL VALVE	2		FORWARD (WITH 1200 CC REAR MOTOR) PORTS "A" AND "C"
..	BH79903	COMPLETE GOODS/SHIP. BUNDLE	1		VALVE ASSEMBLY AND AXLE HOSES
..	BH71746	COMPLETE GOODS/SHIP. BUNDLE	1		4-WHEEL DRIVE CONVERSION
..	BH71883	COMPLETE GOODS/SHIP. BUNDLE	1		4-WHEEL DRIVE CONVERSION

3D18

**CONTROL VALVE
(4-WHEEL DRIVE)**

(655101-)
HP5704 -UN-01JAN94



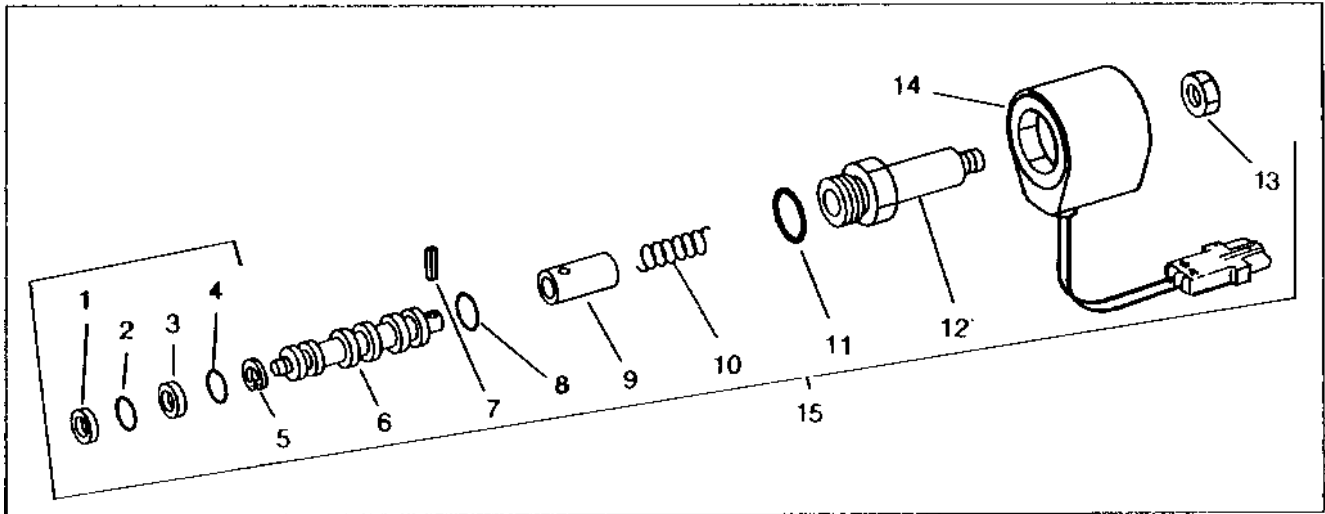
KEY	PART NO.	PART NAME	QTY	SERIAL NO.	REMARKS
1	AH128672	VALVE	1		CONTROL WITH SOLENOID
2	AU40993	FITTING	1		
3	R45182	SPRING	1		
4	R31674	O-RING	1		25.070 X 2.616 MM (0.987" X 0.103")
5	AH84695	FITTING	1		
6	14M7298	FLANGE NUT	3		M8
	19M7803	SCREW	3		M8 X 70
7	R26448	O-RING	2		11.887 X 1.981 MM (0.468" X 5/64")
8	R27218	FITTING PLUG	1		
9	R28782	O-RING	2		8.915 X 1.829 MM (0.351" X 0.072")
10	R51031	FITTING	2		
11	38H1168	ADAPTER	1		
12	U12547	O-RING	4		23.470 X 2.946 MM (0.924" X 0.116")
13	38H1329	ADAPTER	4		
14	T77932	O-RING	4		15.596 X 1.778 MM (0.614" X 0.070")
..	BH79903	COMPLETE GOODS/SHIP. BUNDLE	1		VALVE ASSEMBLY AND AXLE HOSES
..	BH71746	COMPLETE GOODS/SHIP. BUNDLE	1		4-WHEEL DRIVE CONVERSION

3D19

CONTROL VALVE SOLENOID

(4-WHEEL DRIVE)

HP2880 -UN-01JAN94



HP2880

16

KEY	PART NO.	PART NAME	QTY	SERIAL NO.	REMARKS
1	R42926	BACK-UP RING	1		
2	T77857	O-RING	1		(SUB FOR R45186)
3	R45187	BACK-UP RING	1		
4	R45638	O-RING	1		15.596 X 1.778 MM (0.614" X 0.070")
5	R46701	SNAP RING	1		
6	VALVE SPOOL	1		
7	34H227	SPRING PIN	1		3/32" X 1/2"
8	N31772	O-RING	1		18.771 X 1.778 MM (0.739" X 0.070")
9	PLUNGER	1		
10	R64698	SPRING	1		
11	U12547	O-RING	1		23.470 X 2.946 MM (0.924" X 0.116")
12	GUIDE	1		
13	M63707	LOCK NUT	1		
14	AH128654	ELECTRICAL COIL	1		
	R78053	PIN CONTACT CONNECTOR BODY	1		(PKG OF 3)
	R78059	ELECTRICAL PLUG	1		(PKG OF 40)
	R78061	PIN CONTACT	1		(PKG OF 40)
15	AH130949	SOLENOID VALVE	1		
16	AH128655	SOLENOID VALVE	1		

MEMORANDA

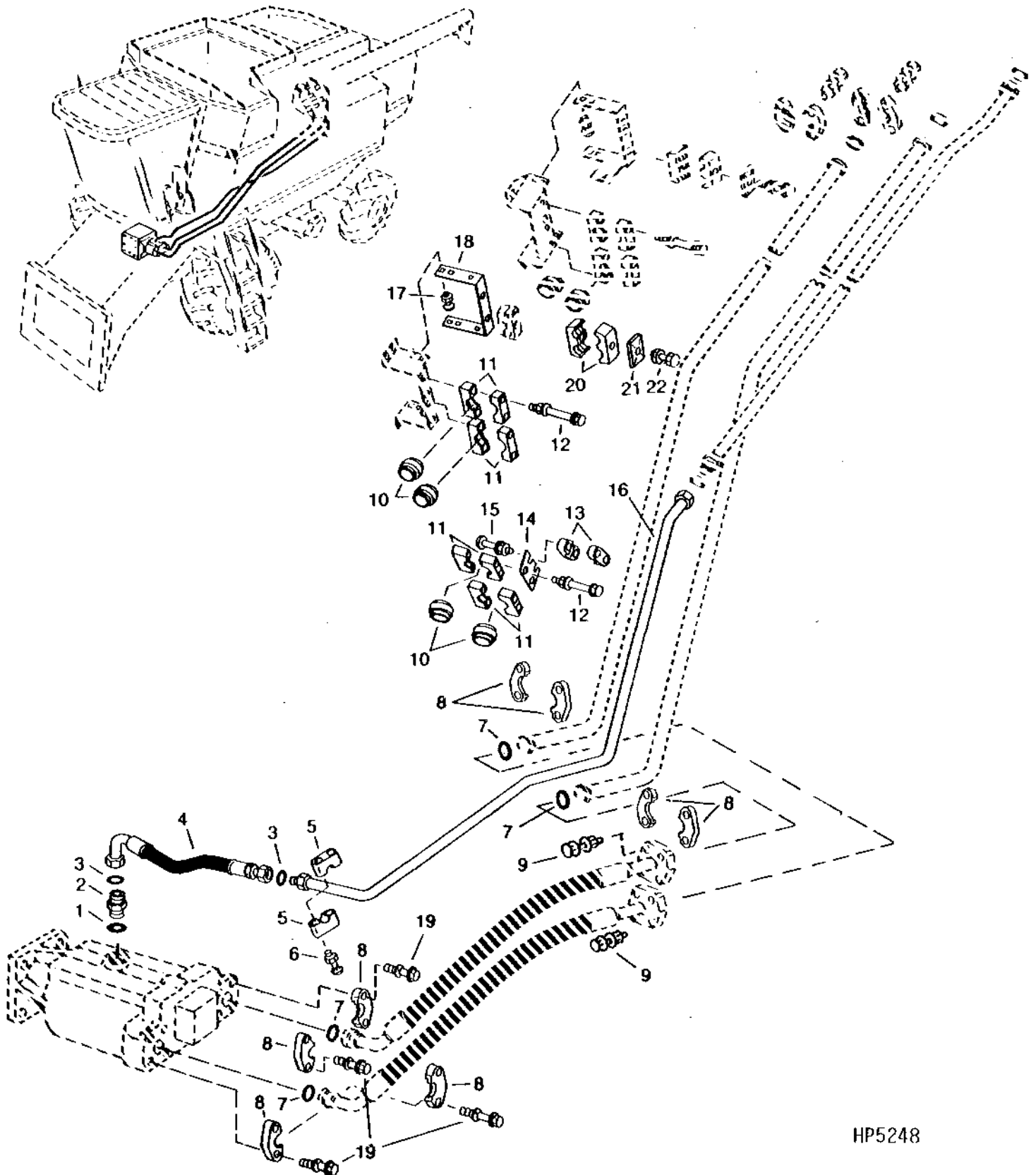
3D20

POWER TRAIN

HYDROSTATIC DRIVE OIL LINES AND HOSES, LOWER

(-655100)

HP5248 -UN-01JAN94



HP5248

HYDROSTATIC DRIVE OIL LINES AND HOSES, LOWER - CONTINUED

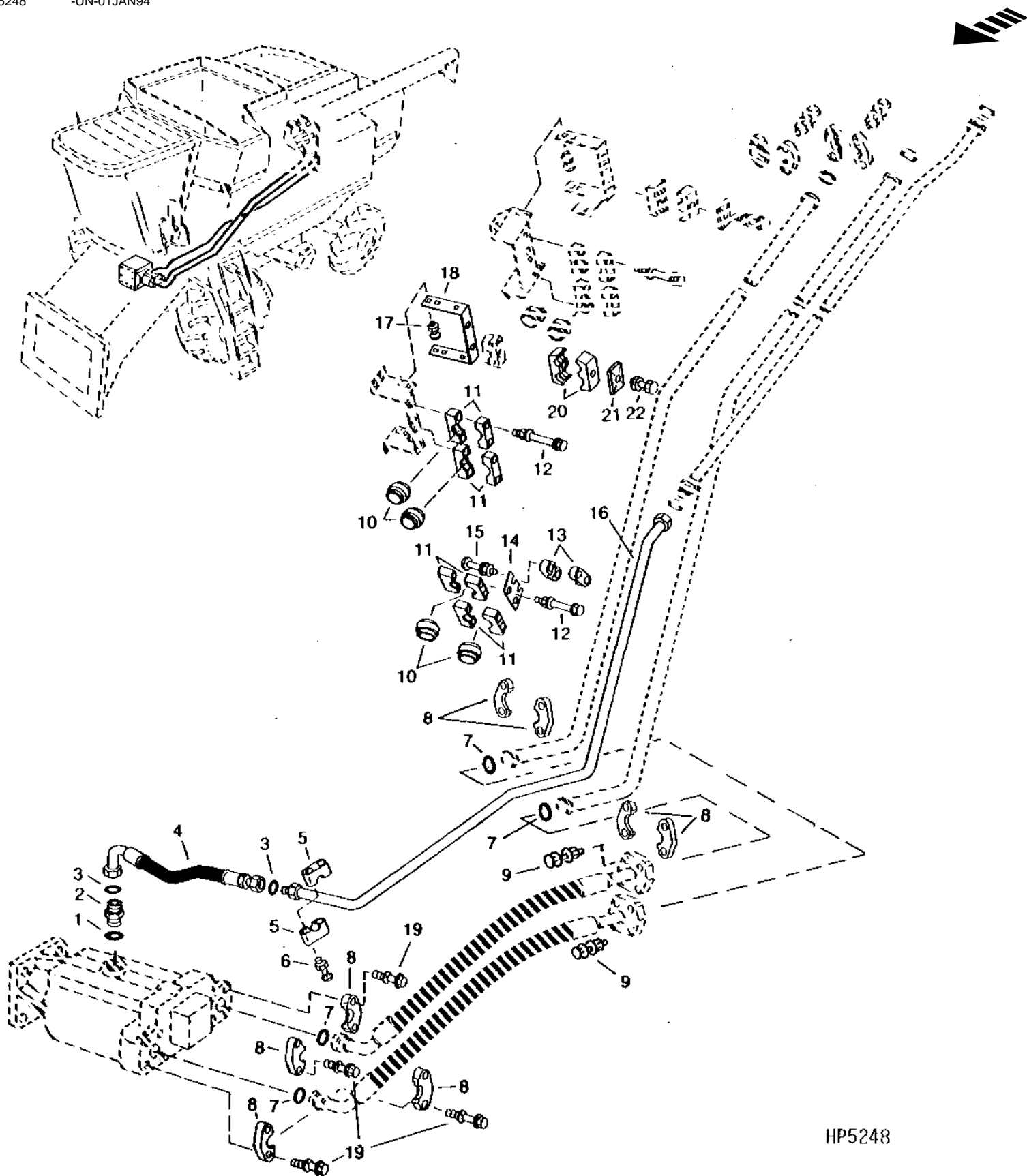
(-655100)

KEY	PART NO.	PART NAME	QTY	SERIAL NO.	REMARKS
1	U12547	O-RING	1		23.470 X 2.946 MM (0.924" X 0.116")
2	38H1163	ADAPTER	1		
3	T77858	O-RING	4		18.771 X 1.778 MM (0.739" X 0.070")
4	AH128997	HYDRAULIC HOSE	1		1-3/16" X 460 MM (18") X 1-3/16" (CASE DRAIN)
5	H114876	CLAMP	2		
6	03M7216	BOLT	2		M8 X 50 (RD. HEAD)
	14M7298	FLANGE NUT	2		M8
7	T78313	O-RING	6		32.918 X 3.531 MM (1.296" X 0.139")
8	H122182	EXTERNAL HALF COUPLER	8		
9	19H3465	CAP SCREW	8		7/16" X 3", (SUB FOR 19M7809)
	T105740	WASHER	16		11.400 X 25.400 X 2.286 MM, (SUB FOR 24M7296 AND 24M7028)
	14H1047	NUT	8		7/16", (SUB FOR 14M7296) WASHER MUST BE UNDER NUT FLANGE
10	H126582	ISOLATOR	6		(RUBBER) - NOT REQ WITH H140180
11	H140180	CLAMP	12		(SUB FOR H131154) H126582 NOT REQ. WITH THIS CLAMP
12	19M8039	SCREW	12		M8 X 80
	14M7396	LOCK NUT	12		M8
13	H114876	CLAMP	2		
14	H131155	BRACKET	1		
15	03M7216	BOLT	2		M8 X 50 (RD. HEAD)
	14M7298	FLANGE NUT	2		M8
16	AH135029	HYDRAULIC LINE	1		(CASE DRAIN)
17	03M7184	BOLT	8		M8 X 20 (RD. HEAD)
	14M7396	LOCK NUT	8		M8
18	H131115	BRACKET	1		
19	19H1740	CAP SCREW	8		7/16" X 1-3/4"
	12H293	LOCK WASHER	8		7/16"
20	H114897	CLAMP	2		
21	H112567	PLATE	1		
22	19M7913	SCREW	1		M8 X 90
	14M7298	FLANGE NUT	1		M8

3D22

HYDROSTATIC DRIVE OIL LINES AND HOSES, LOWER (TWO AND FOUR WHEEL DRIVE)

(655101-)
HP5248 -UN-01JAN94



HP5248

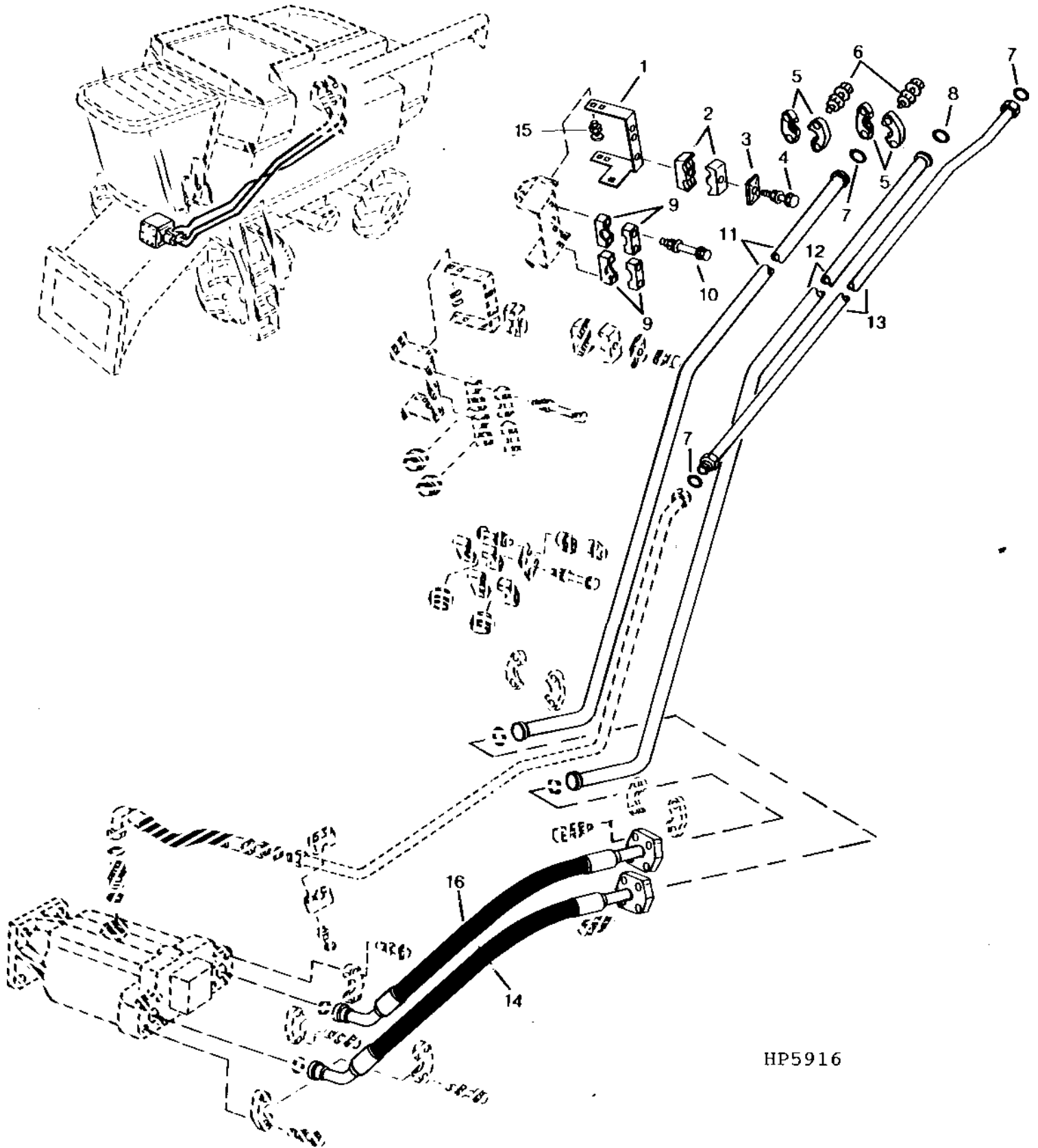
HYDROSTATIC DRIVE OIL LINES AND HOSES, LOWER - CONTINUED
(TWO AND FOUR WHEEL DRIVE)
(655101-)

KEY	PART NO.	PART NAME	QTY	SERIAL NO.	REMARKS
1	U12547	O-RING	1		23.470 X 2.946 MM (0.924" X 0.116")
2	38H1163	ADAPTER	1		
3	T77858	O-RING	4		18.771 X 1.778 MM (0.739" X 0.070")
4	AH142611	HYDRAULIC HOSE	1		1-3/16" X 1 924 MM (75-3/4") X 1-3/16" (CASE DRAIN)
5	14M7298	FLANGE NUT	1		M8
6	H114897	CLAMP	2		(RD. HEAD)
7	T78313	O-RING	6		32.918 X 3.531 MM (1.296" X 0.139")
8	H122182	EXTERNAL HALF COUPLER	8		
9	19M7970	SCREW	1		M8 X 100
10	H114901	PLATE	6		
11	H150223	HOSE CLAMP	8		
12	19M8039	SCREW	13		M8 X 80
	14M7396	LOCK NUT	13		M8
13	T72393	CLAMP	3		
14	H112567	PLATE	1		
15	H150222	HOSE CLAMP	6		
16	19M7913	SCREW	2		M8 X 90
	14M7298	FLANGE NUT	2		M8
17	03M7184	BOLT	8		M8 X 20 (RD. HEAD)
	14M7396	LOCK NUT	8		M8
18	H131115	BRACKET	1		
19	19H1740	CAP SCREW	8		7/16" X 1-3/4"
	12H293	LOCK WASHER	8		7/16"
20	H114897	CLAMP	2		
21	H112567	PLATE	1		
22	19M7913	SCREW	1		M8 X 90
	14M7298	FLANGE NUT	1		M8

3D24

POWER TRAIN

HYDROSTATIC DRIVE OIL LINES AND HOSES, LOWER
(TWO AND FOUR WHEEL DRIVE)
(-655100)
HP5916 -UN-14FEB95



HP5916

3D25

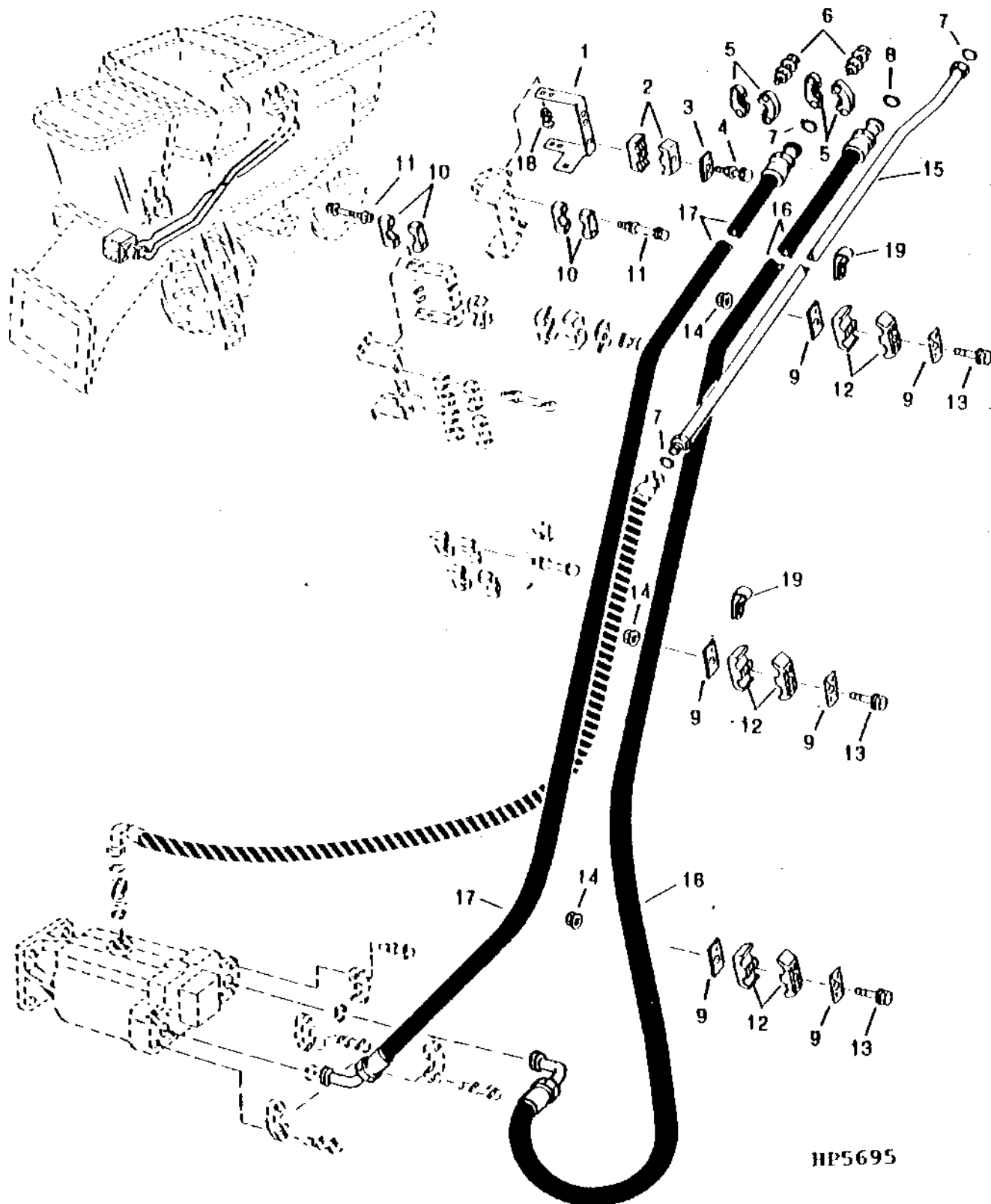
POWER TRAIN

**HYDROSTATIC DRIVE OIL LINES AND HOSES, LOWER - CONTINUED
(TWO AND FOUR WHEEL DRIVE)
(-655100)**

KEY	PART NO.	PART NAME	QTY	SERIAL NO.	REMARKS
1	H133659	BRACKET	1		
2	H111730	CLAMP	2		
3	H112567	PLATE	1		
4	19M7979	SCREW	1	M8 X 55	
	14M7298	FLANGE NUT	1	M8	
5	H122182	EXTERNAL HALF COUPLER	4		
6	19H3465	CAP SCREW	8	7/16" X 3", (SUB FOR 19M7809)	
	T105740	WASHER	16	(SUB FOR 24M7296 AND 24M7028)	
	14H1047	NUT	8	7/16", (SUB FOR 14M7296)	
7	T77858	O-RING	2	18.771 X 1.778 MM (0.739" X 0.070")	
8	T78313	O-RING	2	32.918 X 3.531 MM (1.296" X 0.139")	
9	H131154	CLAMP	4	(SUB H140180)	
	H140180	CLAMP	4		
10	19M8039	SCREW	4	M8 X 80	
11	AH126194	HYDRAULIC LINE	1	-630690	FORWARD PRESSURE - BOTTOM LINE FOR POWER REAR WHEEL ASSIST DRIVE SUB: (1) AH134971, (1) AH134949 AND (1) AH135039 FOR NON POWER REAR WHEEL ASSIST DRIVE SUB: (1) AH134971, (1) AH134949 AND (1) AH134950
	AH134971	OIL LINE	1		FORWARD PRESSURE - BOTTOM LINE
	AH134949	HYDRAULIC HOSE	1		1" X 930 MM (36-1/2") X 1"
	AH135039	HYDRAULIC HOSE	1		1" X 700 MM (27-1/2") X 1"
	AH134950	HOSE	1		1" X 815 MM (32") X 1"
12	AH126195	HYDRAULIC LINE	1	-630690	(SUB AH134972, AH134949 AND AH141545) REVERSE PRESSURE - TOP LINE
	AH134972	OIL LINE	1	630691-	REVERSE PRESSURE - TOP LINE
	AH134949	HYDRAULIC HOSE	1	630691-	
	AH141545	HOSE	1	630691-	
13	AH127881	OIL LINE	1		CASE DRAIN
14	AH126192	HYDRAULIC HOSE	1	-630690	1" X 930 MM (36-1/2") X 1"
	AH134949	HYDRAULIC HOSE	2	630691-640100	1" X 930 MM (36-1/2") X 1", (SUB AH138171 OR AH138172)
	AH138171	HOSE	1	640101-645398	1-7/16" X 960 MM (37-3/4") X 1-7/16", (SUB AH141546) TO FRONT PORT ON MOTOR
	AH141546	HOSE	1		1" X 960 MM (37-3/4") X 1", (REVERSE PRESSURE) TO FRONT PORT ON MOTOR
15	03M7184	BOLT	4	M8 X 20	
	14M7396	LOCK NUT	4	M8	
16	AH126192	HYDRAULIC HOSE	1	-630690	1" X 930 MM (36-1/2") X 1"
	AH134949	HYDRAULIC HOSE	2	630691-640100	1" X 930 MM (36-1/2") X 1", (SUB AH138171 OR AH138172)
	AH138172	HOSE	1	640101-645398	1-7/16" X 865 MM (34") X 1-7/16", (SUB AH141547) TO REAR PORT ON MOTOR
	AH141547	HYDRAULIC HOSE	1		1-7/16" X 865 MM (34") X 1-7/16", (FORWARD PRESSURE) TO REAR PORT ON MOTOR

HYDROSTATIC DRIVE OIL LINES AND HOSES, LOWER (FOUR WHEEL DRIVE)

(655101-)
HP5695 -UN-01JAN94



HP5695

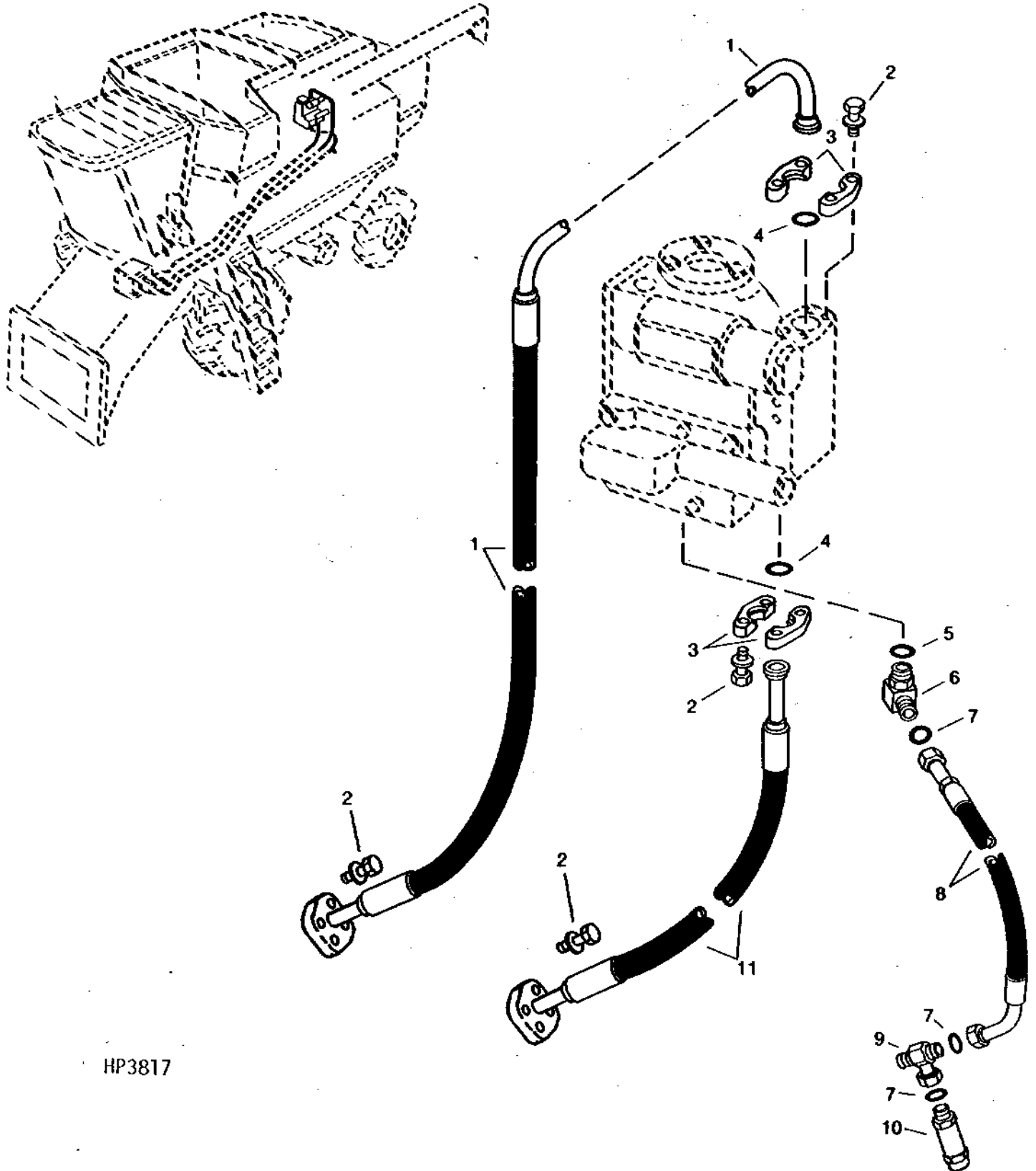
HYDROSTATIC DRIVE OIL LINES AND HOSES, LOWER - CONTINUED
(FOUR WHEEL DRIVE)
(655101-)

KEY	PART NO.	PART NAME	QTY	SERIAL NO.	REMARKS
1	H133659	BRACKET	1		
2	H111730	CLAMP	2		
3	H112567	PLATE	1		
4	19M7979	SCREW	1	M8 X 55	
	14M7298	FLANGE NUT	1	M8	
5	H122182	EXTERNAL HALF COUPLER	4		
6	19H3465	CAP SCREW	8	7/16" X 3"	
	T105740	WASHER	16		
	14H1047	NUT	8	7/16"	
7	T77858	O-RING	2	18.771 X 1.778 MM (0.739" X 0.070")	
8	T78313	O-RING	2	32.918 X 3.531 MM (1.296" X 0.139")	
9	H114901	PLATE	6		
10	H150223	HOSE CLAMP	4		
11	19M8039	SCREW	5	M8 X 80, (SUB AH134972)	
	14M7298	FLANGE NUT	5	M8	
12	H150222	HOSE CLAMP	6		
13	19M7970	SCREW	3	M8 X 100	
14	14M7298	FLANGE NUT	3	M8	
15	AH127881	OIL LINE	4		
16	AH143353	HYDRAULIC HOSE	1	1" X 4 375 MM (172-1/4") X 1", FORWARD PRESSURE	
17	AH142758	HYDRAULIC HOSE	1	1" X 3 875 MM (152-1/2") X 1", REVERSE PRESSURE	
18	03M7184	BOLT	4	M8 X 20	
	14M7396	LOCK NUT	4	M8	
19	T72393	CLAMP	2		
..	BH79964	COMPLETE GOODS/SHIP. BUNDLE	1	4-WHEEL DRIVE HYD HOSE CONVERSION	

HYDROSTATIC DRIVE OIL LINES AND HOSES, LOWER - CONTINUED
(TWO WHEEL DRIVE)
(655101-)

KEY	PART NO.	PART NAME	QTY	SERIAL NO.	REMARKS
1	AH143035	HYDRAULIC HOSE	1		1" X 5 000 MM (196-3/4") X 1", (REVERSE PRESSURE)
2	19H1740	CAP SCREW	8		7/16" X 1-3/4"
	12H293	LOCK WASHER	8		7/16"
3	H122182	EXTERNAL HALF COUPLER	4		
4	T78313	O-RING	2		32.918 X 3.531 MM
5	AH143352	HYDRAULIC HOSE	4		1" X 5 175 MM (203-3/4") X 1", (FORWARD PRESSURE)
6	U12547	O-RING	1		0.924" X 0.116"
7	38H1007	ELBOW FITTING	1		
8	T77858	O-RING	3		18.771 X 1.778 MM (0.739" X 0.070")
9	AH124008	HYDRAULIC HOSE	1		1-3/16" X 725 MM (28-1/2") X 1-3/16", (UPPER DRAIN HOSE)
10	38H1041	TEE FITTING	1		
11	AH118337	CHECK VALVE	1		
12	AH127881	OIL LINE	1		
13	H114901	PLATE	6		
14	H150222	HOSE CLAMP	6		
15	19M7970	SCREW	3	M8 X 100	
16	T72393	CLAMP	2		
17	19M8039	SCREW	5	M8 X 80	
	14M7298	FLANGE NUT	5	M8	
18	H150223	HOSE CLAMP	4		
19	19M7979	SCREW	1	M8 X 55	
	14M7298	FLANGE NUT	1	M8	
20	H112567	PLATE	1		
21	H111730	CLAMP	2		
22	H133659	BRACKET	1		
23	03M7184	BOLT	4	M8 X 20	
	14M7396	LOCK NUT	4	M8	
24	14M7298	FLANGE NUT	3	M8	

HYDROSTATIC DRIVE HOSES, UPPER
(FOUR WHEEL DRIVE)
(-655100)
HP3817 -UN-01JAN94



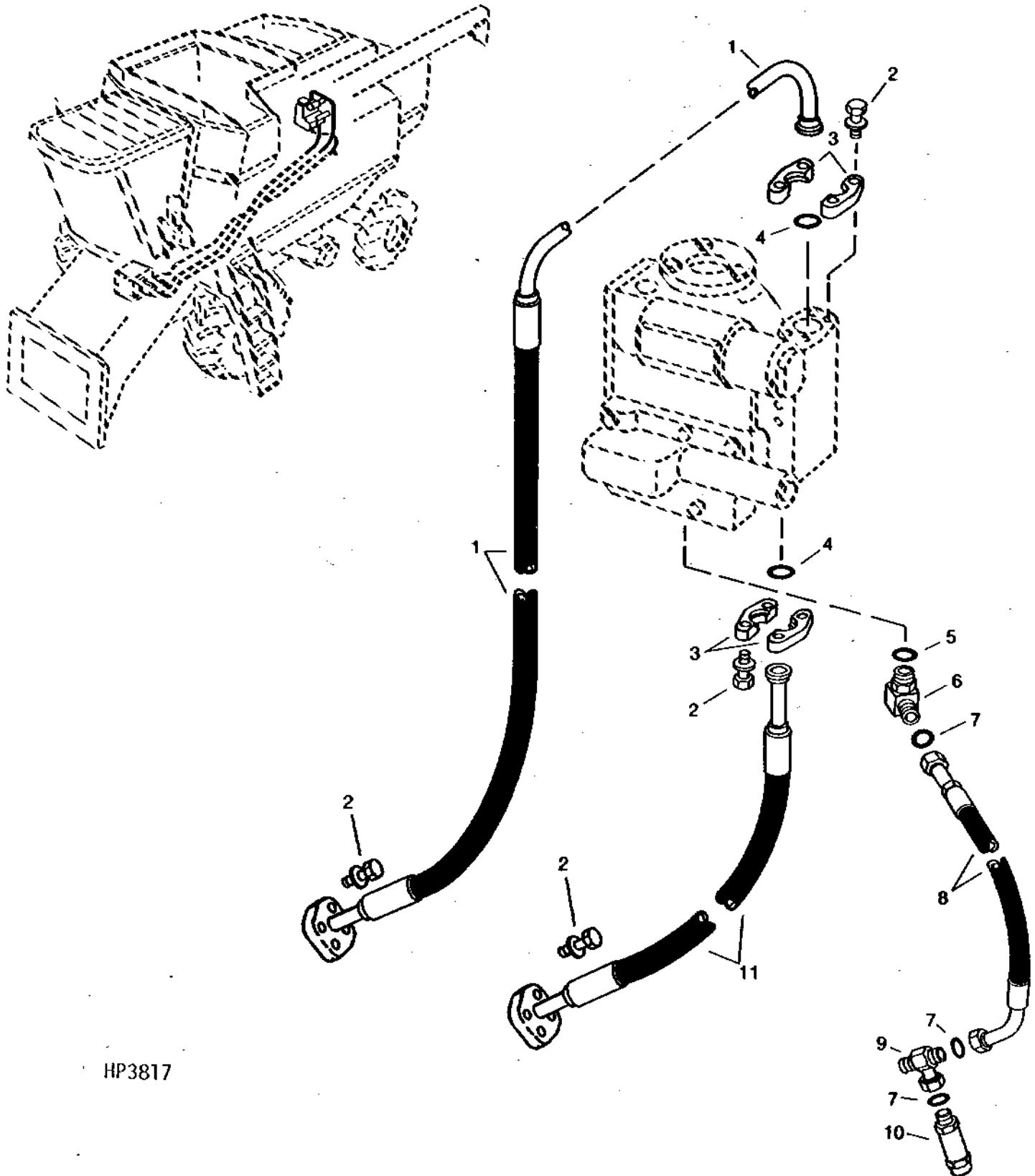
HP3817

HYDROSTATIC DRIVE HOSES, UPPER - CONTINUED
 (FOUR WHEEL DRIVE)
 (-655100)

KEY	PART NO.	PART NAME	QTY	SERIAL NO.	REMARKS
1	AH128738	HYDRAULIC HOSE	1	-630690	(RETURN)
	AH134951	HYDRAULIC HOSE	1	630691-645401	(RETURN)
	AH141545	HOSE	1	645401-	(RETURN)
2	19H1740	CAP SCREW	8		
	12H293	LOCK WASHER	8		7/16"
3	H122182	EXTERNAL HALF COUPLER	4		
4	T78313	O-RING	2		32.918 X 3.531 MM (1.296" X 0.139")
5	U12547	O-RING	1		23.470 X 2.946 MM (0.924" X 0.116")
6	38H1007	ELBOW FITTING	1		
7	T77858	O-RING	3		18.771 X 1.778 MM (0.739" X 0.070")
8	AH124008	HYDRAULIC HOSE	1		1-3/16" X 725 MM (28-1/2") X 1-3/16" (UPPER CASE DRAIN)
9	38H1041	TEE FITTING	1		
10	AH118337	CHECK VALVE	1		
11	AH141543	HYDRAULIC HOSE	1		

HYDROSTATIC DRIVE HOSES, UPPER
(FOUR WHEEL DRIVE)

(655101-)
HP3817 -UN-01JAN94



HP3817

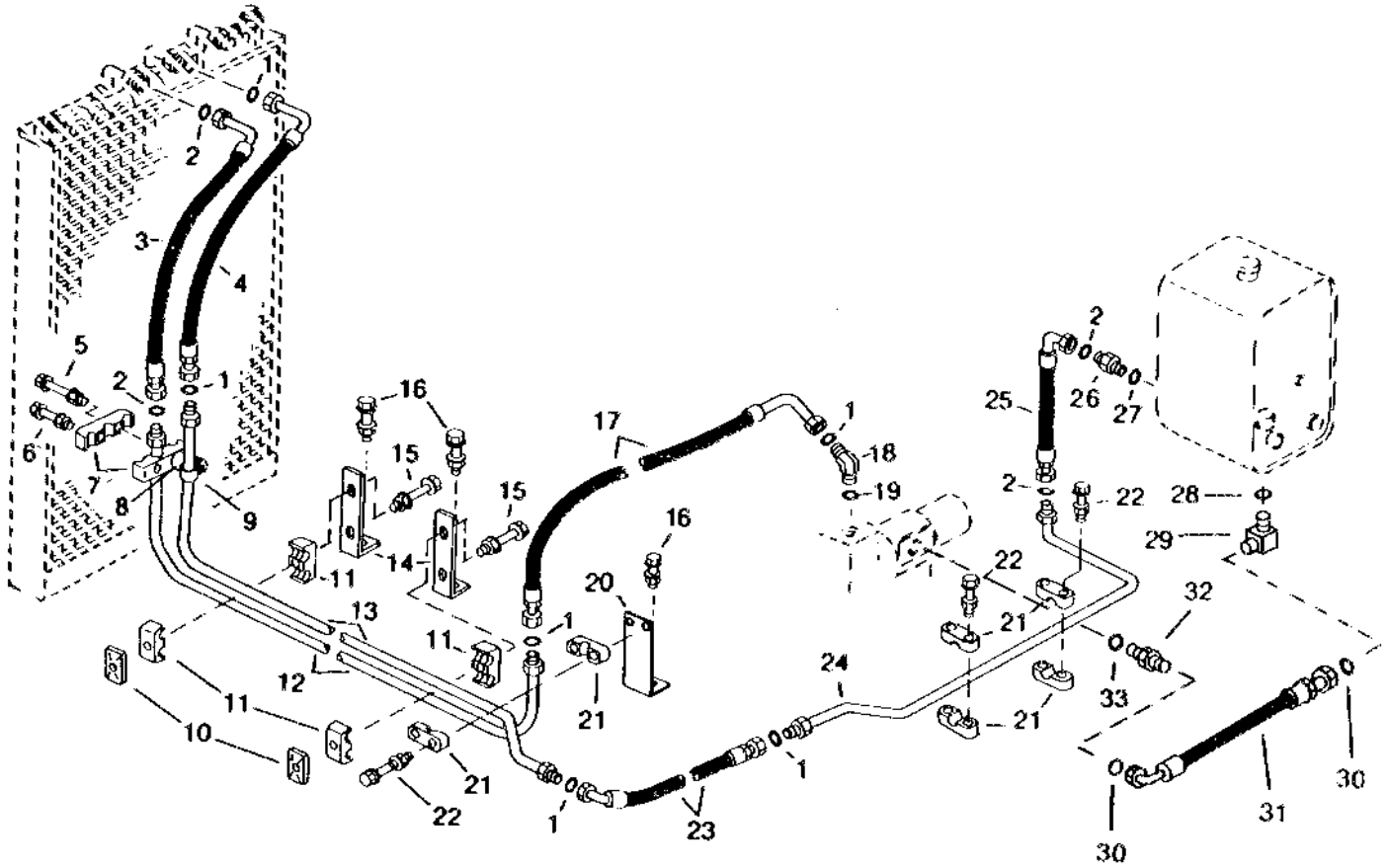
HYDROSTATIC DRIVE HOSES, UPPER - CONTINUED
(FOUR WHEEL DRIVE)
(655101-)

KEY	PART NO.	PART NAME	QTY	SERIAL NO.	REMARKS
1	AH144192	HYDRAULIC HOSE	1	1" X 975 MM (38-1/2") X 1"	
2	19H1740	CAP SCREW	8	7/16" X 1-3/4"	
	12H293	LOCK WASHER	8	7/16"	
3	H122182	EXTERNAL HALF COUPLER	4		
4	T78313	O-RING	2	32.918 X 3.531 MM (1.296" X 0.139")	
5	U12547	O-RING	1	23.470 X 2.946 MM (0.924" X 0.116")	
6	38H1007	ELBOW FITTING	1		
7	T77858	O-RING	3	18.771 X 1.778 MM (0.739" X 0.070")	
8	AH124008	HYDRAULIC HOSE	1	1-3/16" X 725 MM (28-1/2") X 1-3/16" (UPPER CASE DRAIN)	
9	38H1041	TEE FITTING	1		
10	AH118337	CHECK VALVE	1		
11	AH141544	HYDRAULIC HOSE	1	1-7/16" X 700 MM (27-1/2") X 1-7/16" (PRESSURE)(FOR 4 WHEEL DRIVE)	
	AH144194	HOSE	1	1" X 4 785 MM (188-1/2") X 1", (PRESSURE) (FOR 2 WHEEL DRIVE)	
..	BH79964	COMPLETE GOODS/SHIP. BUNDLE	1	4-WHEEL DRIVE HYD HOSE CONVERSION	

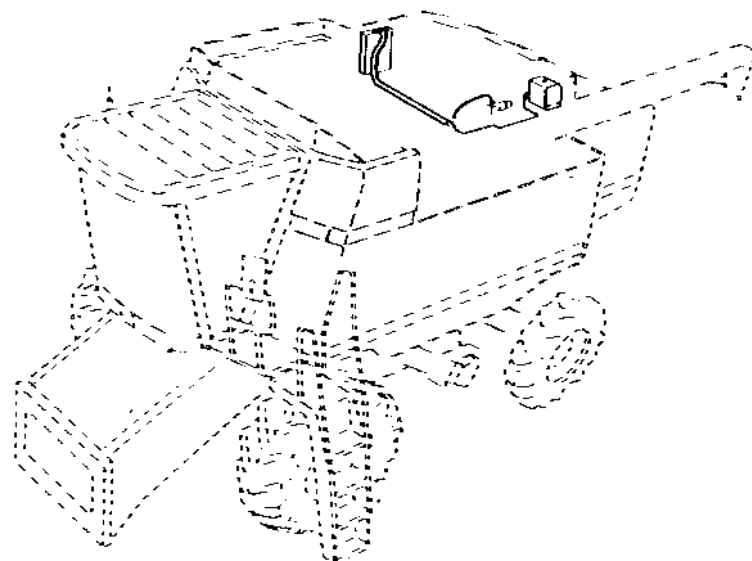
HYDRO. OIL COOLER LINES AND HOSES

(-640100)

HP3605 -UN-01JAN94



HP3605



3E10

POWER TRAIN

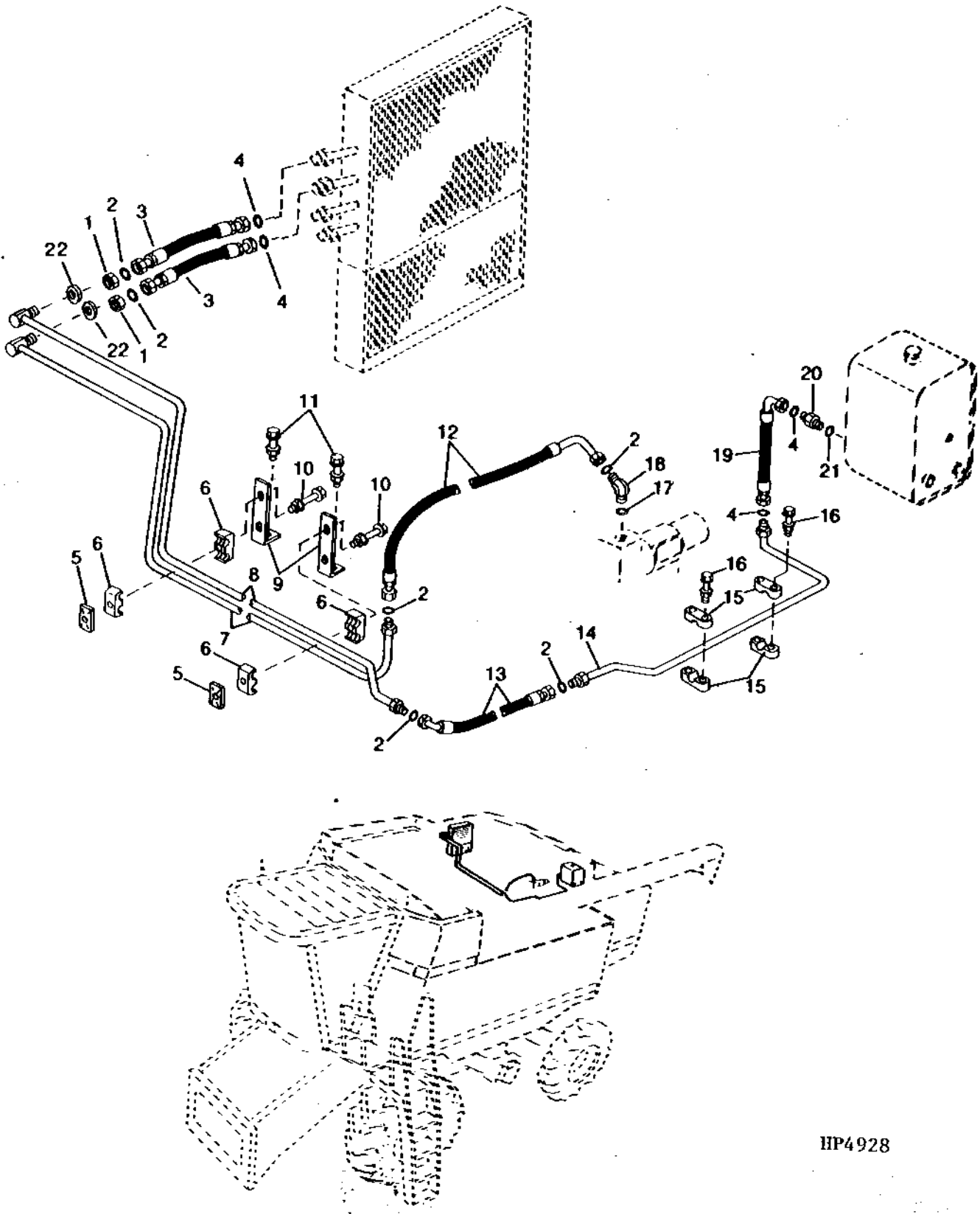
HYDRO. OIL COOLER LINES AND HOSES - CONTINUED
(-640100)

KEY	PART NO.	PART NAME	QTY	SERIAL NO.	REMARKS
1	T76938	O-RING	6		23.520 X 1.778 MM (0.926" X 0.070")
2	T77858	O-RING	4		18.771 X 1.778 MM (0.739" X 0.070")
3	AH128775	HYDRAULIC HOSE	1		1-3/16" X 650 MM (25-1/2") X 1-3/16"
4	AH128776	HYDRAULIC HOSE	1		1-7/16" X 660 MM (26") X 1-7/16"
5	19M8039	SCREW	1		M8 X 80
	14M7298	FLANGE NUT	1		M8
6	19M7801	SCREW	1		M8 X 60
	14M7298	FLANGE NUT	1		M8
7	H130452	CLAMP	2		
8	28H1720	BUSHING	1		
9	R72659	CLAMP	1		
10	H112567	PLATE	2		
11	H115379	CLAMP	4		
12	AH128769	HYDRAULIC LINE	1		
	AH138864	OIL LINE	1		
13	AH128771	HYDRAULIC LINE	1		
14	H130451	BRACKET	1		
15	19M7801	SCREW	2		M8 X 60
	14M7298	FLANGE NUT	2		M8
16	19M7866	SCREW	3		M8 X 20
	14M7298	FLANGE NUT	3		M8
17	AH125716	HYDRAULIC HOSE	1		1-7/16" X 1 125 MM (44-1/4") X 1-7/16"
18	38H1431	ELBOW FITTING	1		
19	U12547	O-RING	1		23.470 X 2.946 MM (0.924" X 0.116")
20	H133674	BRACKET	1		
21	H114432	CLAMP	6		
22	19M8321	SCREW	3		M6 X 45
	14M7303	FLANGE NUT	3		M6
23	AH124006	HYDRAULIC HOSE	1		1-7/16" X 800 MM (31-1/2") X 1-7/16"
24	AH132839	OIL LINE	1	-630746	
	AH135170	OIL LINE	1	630747-	
25	AH130567	HYDRAULIC HOSE	1	-630746	1-3/16" X 305 MM (12") X 1-3/16"
	AH135171	HYDRAULIC HOSE	1	630747-	1-3/16" X 260 MM (10-1/4") X 1-3/16"
26	38H1194	ADAPTER	1		
27	R29936	O-RING	1		29.743 X 2.946 MM (1.171" X 0.116")
28	R29936	O-RING	1		29.743 X 2.946 MM (1.171" X 0.116")
29	38H1037	ELBOW FITTING	1		
30	T76938	O-RING	2		23.520 X 1.778 MM (0.926" X 0.070")
31	AH126242	HYDRAULIC HOSE	1		1-7/16" X 730 MM (28-3/4") X 1-7/16"
32	38H1164	ADAPTER	1		
33	R29936	O-RING	1		29.743 X 2.946 MM (1.171" X 0.116")

HYDROSTATIC OIL COOLER LINES AND HOSES

(640101-665100)

HP4928 -UN-01JAN94



HP4928

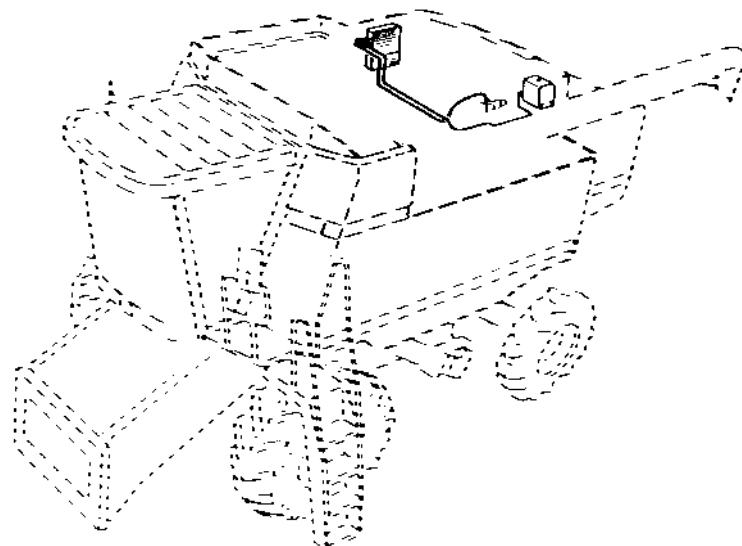
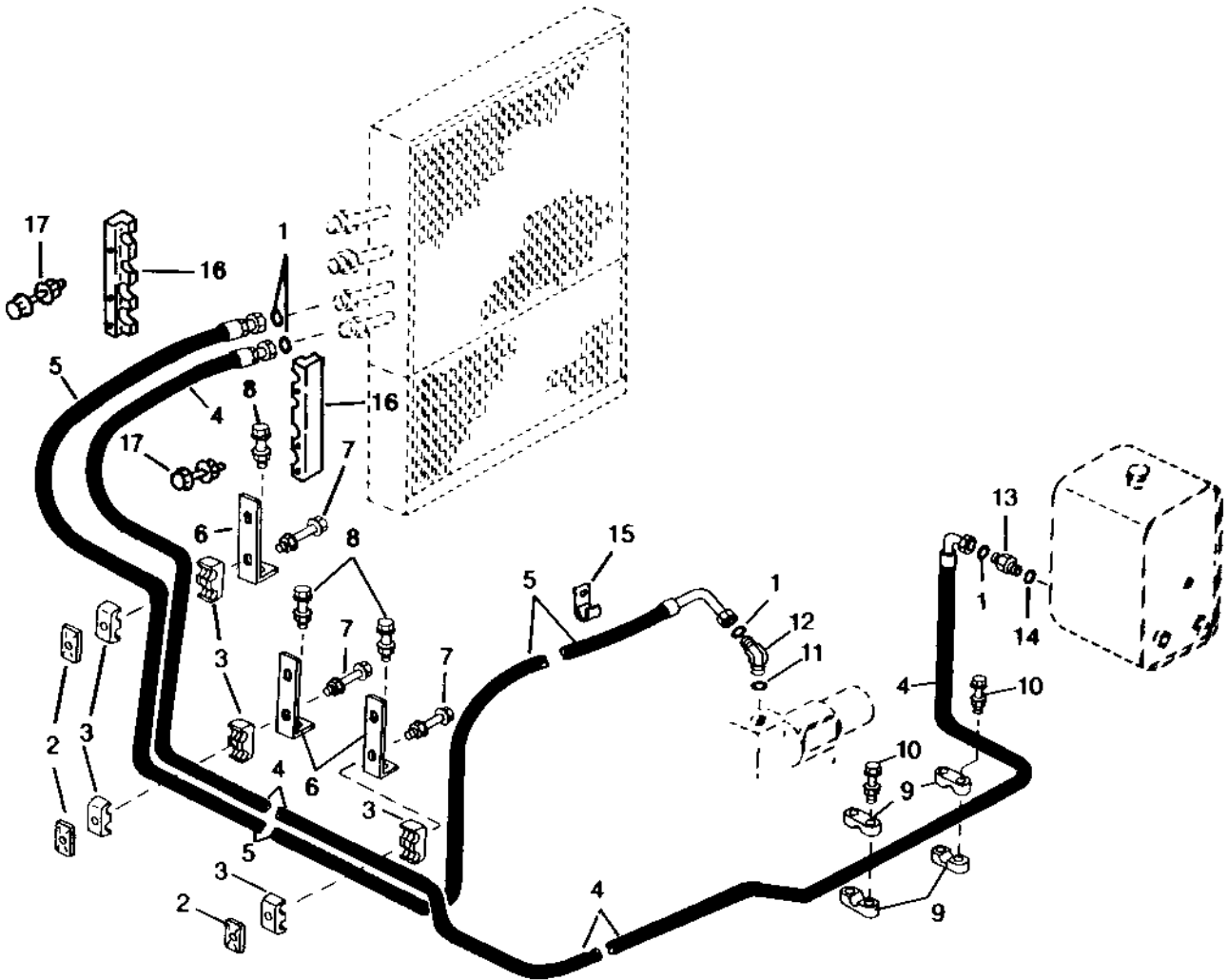
HYDROSTATIC OIL COOLER LINES AND HOSES- CONTINUED
(640101-665100)

KEY	PART NO.	PART NAME	QTY	SERIAL NO.	REMARKS
1	T78715	NUT	2		36.525 MM
2	T76938	O-RING	6		23.520 X 1.778 MM (0.926" X 0.070")
3	AH128993	HYDRAULIC HOSE	2		1-3/16" X 265 MM (10-1/2") X 1-7/16"
4	T77858	O-RING	4		18.771 X 1.778 MM (0.739" X 0.070")
5	H112567	PLATE	2		
6	H115379	CLAMP	4		
7	AH138864	OIL LINE	1		
8	AH133961	OIL LINE	1		
9	H130451	BRACKET	2		
10	19M7801	SCREW	2		M8 X 60
	14M7298	FLANGE NUT	2		M8
11	U12547	O-RING	1		23.470 X 2.946 MM
	14M7298	FLANGE NUT	2		M8
12	AH125716	HYDRAULIC HOSE	1		1-7/16" X 1 125 MM (44-1/4") X 1-7/16"
13	AH124006	HYDRAULIC HOSE	1		1-7/16" X 800 MM (31-1/2") X 1-7/16"
14	AH135170	OIL LINE	1		
15	H114432	CLAMP	4		
16	H151585	CLAMP	2		
	14M7303	FLANGE NUT	2	-655199	M6
	14M7165	LOCK NUT	2	655200-	M6
17	U12547	O-RING	1		23.470 X 2.946 MM
18	38H1431	ELBOW FITTING	1		
19	AH135171	HYDRAULIC HOSE	1		1-3/16" X 260 MM (10-1/4") X 1-3/16"
20	38H1194	ADAPTER	1		
21	R29936	O-RING	1		29.743 X 2.946 MM (1.171" X 0.116")
22	24H1534	WASHER	2	640685-	38.887 X 52.375 X 1.524 MM (1-17/32" X 2-1/16" X 0.060")

3E13

HYDROSTATIC OIL COOLER LINES AND HOSES

(665101-)
HP6090 -UN-14JUN95



HP6090

3E14

POWER TRAIN

HYDROSTATIC OIL COOLER LINES AND HOSES - CONTINUED
(665101-)

KEY	PART NO.	PART NAME	QTY	SERIAL NO.	REMARKS
1	T77858	O-RING	4		18.771 X 1.778 MM (0.739" X 0.070")
2	H114901	PLATE	3		
3	H150982	CLAMP	5		
4	AH145235	HYDRAULIC HOSE	1		
5	AH145237	HYDRAULIC HOSE	1		
6	H150980	BRACKET	3		
7	19M8039	SCREW	3	M8 X 80	
	14M7298	FLANGE NUT	3	M8	
8	19M7866	SCREW	3	M8 X 20	
	14M7298	FLANGE NUT	3	M8	
9	H145247	HALF CLAMP	4		
10	19M7801	SCREW	2	M8 X 60	
	14M7298	FLANGE NUT	2	M8	
11	U12547	O-RING	1	23.470 X 2.946 MM	
12	38H1163	ADAPTER	1		
13	38H1194	ADAPTER	1		
14	R29936	O-RING	1		
15	AH90990	CLIP	1		
16	H151585	CLAMP	2		
17	19M8318	SCREW	6	M8 X 45	
	14M7298	FLANGE NUT	6	M8	

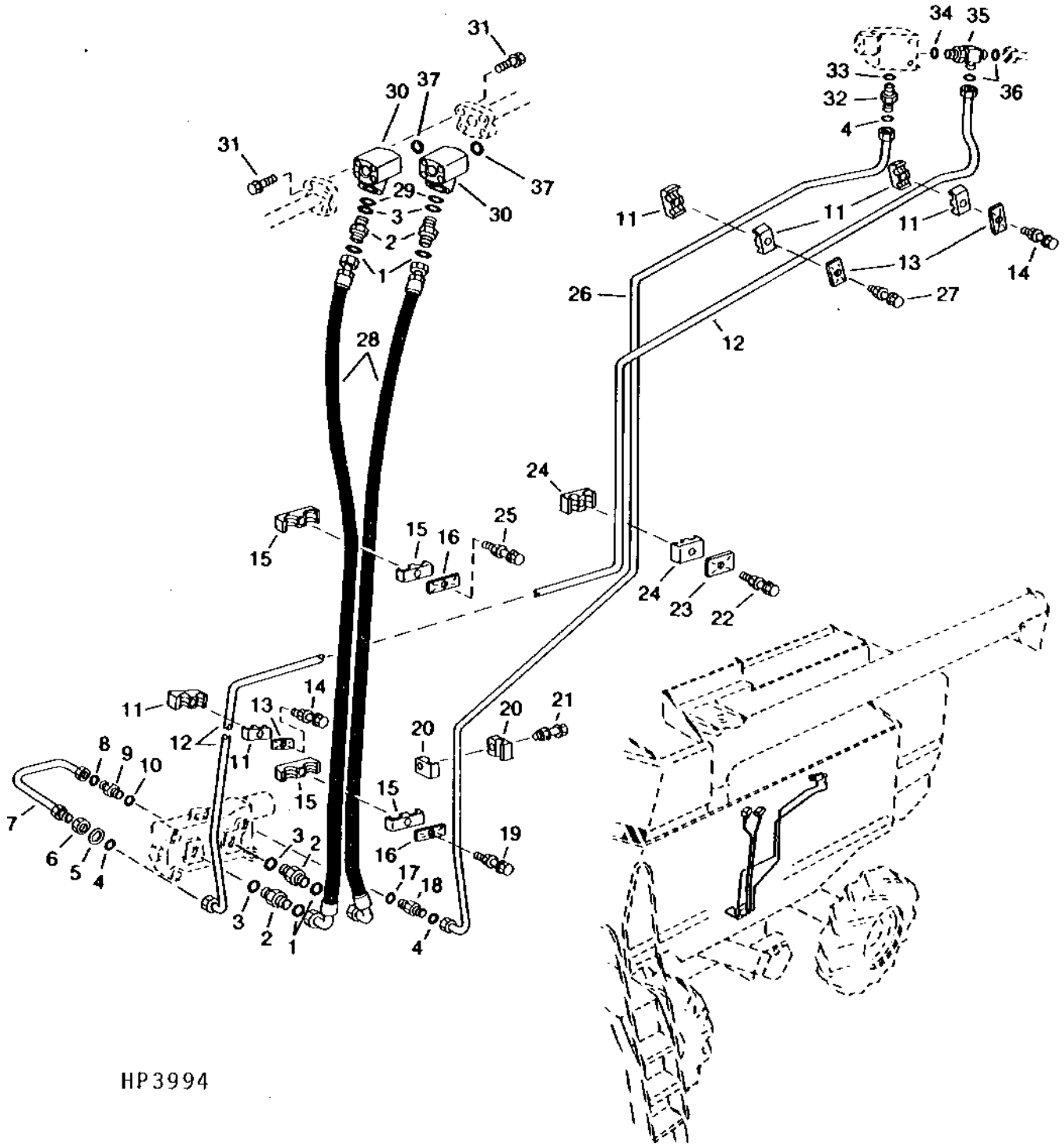
3E15

POWER TRAIN

4-WHEEL DRIVE HYDRAULIC LINES AND HOSES, L.H. SIDE

(-655100)

HP3994 -UN-01JAN94



HP3994

3E16

POWER TRAIN

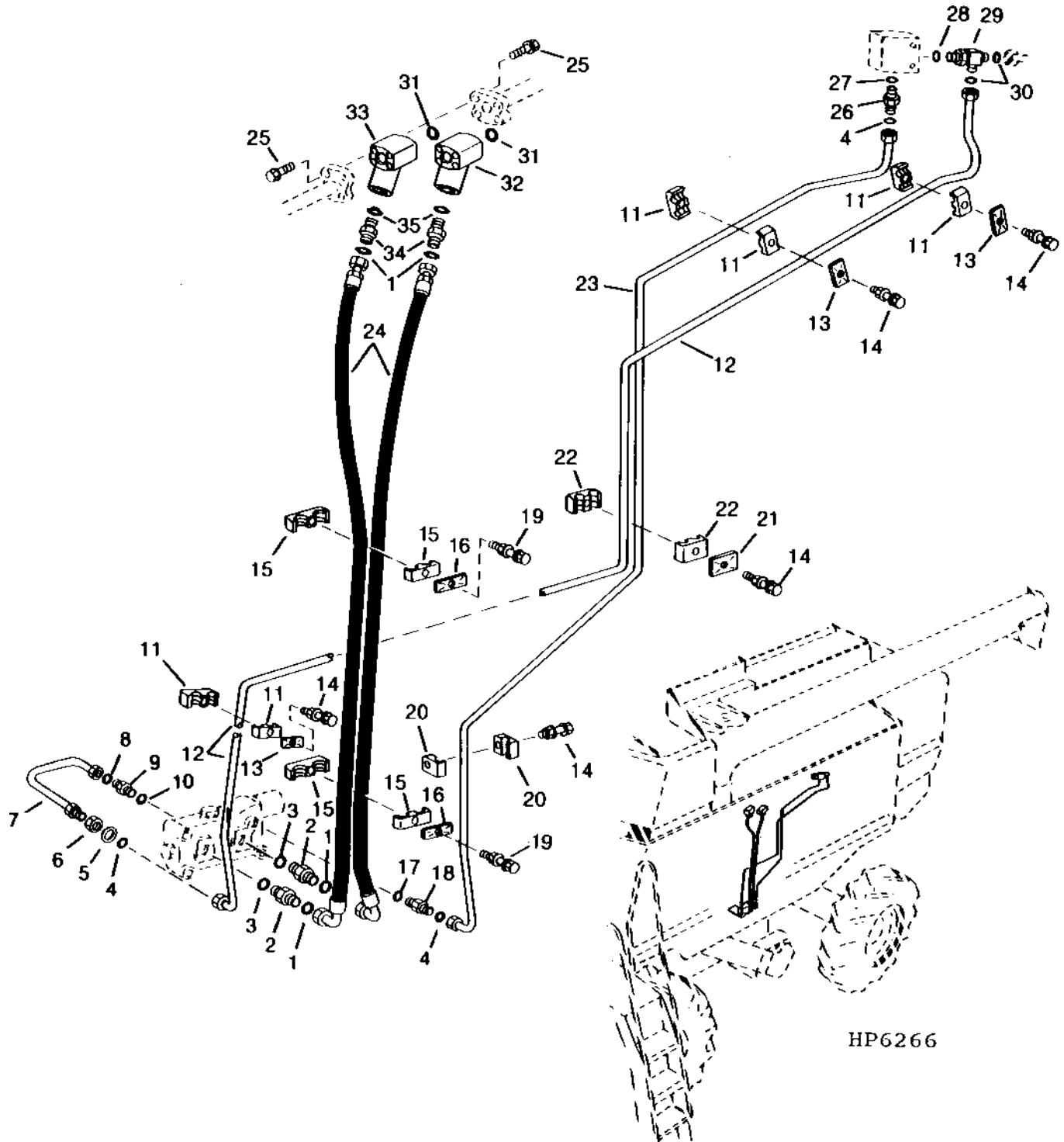
4-WHEEL DRIVE HYDRAULIC LINES AND HOSES, L.H. SIDE - CONTINUED
(-655100)

KEY	PART NO.	PART NAME	QTY	SERIAL NO.	REMARKS
1	T77858	O-RING	4		18.771 X 1.778 MM (0.739" X 0.070")
2	38H1163	ADAPTER	4		
3	U12547	O-RING	4		23.470 X 2.946 MM (0.924" X 0.116")
4	T77613	O-RING	3		9.246 X 1.778 MM (0.364" X 0.070")
5	24M7114	WASHER	1		19 X 30 X 4 MM
6	T81029	NUT	1		17.475 MM (11/16")
7	AH130611	HYDRAULIC LINE	1		
8	T77814	O-RING	1		7.645 X 1.778 MM (0.301" X 0.070")
9	38H1168	ADAPTER	1		
10	R26448	O-RING	1		11.887 X 1.981 MM (0.468" X 5/64")
11	H114865	CLAMP	6		
12	AH130447	OIL LINE	1		(RETURN)
13	H112567	PLATE	3		
14	03M7245	BOLT	2		M8 X 55
	14M7298	FLANGE NUT	2		M8
15	H114898	CLAMP	4		
16	H114901	PLATE	2		
17	R28782	O-RING	1		8.915 X 1.829 MM (0.351" X 0.072")
18	38H1309	ADAPTER	1		
19	19M8039	SCREW	1		M8 X 80
	19M7396	CAP SCREW	1		M16 X 45
20	H127589	CLAMP	2		
21	19M8317	SCREW	1	-640505	M8 X 40
	14M7298	FLANGE NUT	1		M8
	19M7867	SCREW	1	640506-	
22	03M7187	BOLT	1		M8 X 35
	14M7298	FLANGE NUT	1		M8
23	H121163	COVER	1		
24	H128515	CLAMP	2		
25	03M7267	BOLT	1		M8 X 80
	14M7396	LOCK NUT	1		M8
26	AH135620	OIL LINE	1		(SUB FOR AH131300)
27	19M7801	SCREW	1		M8 X 60
	14M7298	FLANGE NUT	1		M8
28	AH125941	HYDRAULIC HOSE	2		1-3/16" X 1 625 MM (64") X 1-3/16" (FORWARD AND REVERSE)
29	T78313	O-RING	2		32.918 X 3.531 MM (1.296" X 0.139") (SUB FOR H61355)
30	H126368	MANIFOLD	2		
31	19M8162	CAP SCREW	16		M10 X 40
32	38H1160	ADAPTER	1		
33	R26448	O-RING	1		11.887 X 1.981 MM (0.468" X 5/64")
34	R26375	O-RING	1		16.358 X 2.210 MM (0.644" X 0.087")
35	38H1024	TEE FITTING	1		
36	T77857	O-RING	2		12.421 X 1.778 MM (0.489" X 0.070")
37	T78313	O-RING	2		32.918 X 3.531 MM (1.296" X 0.139")
..	BH79904	COMPLETE GOODS/SHIP. BUNDLE	1		4-WHEEL DRIVE CONVERSION

3E17

4-WHEEL DRIVE HYDRAULIC LINES AND HOSES, L.H. SIDE

(655101-)
HP6266 -UN-17JAN96



HP6266

3E18

POWER TRAIN

4-WHEEL DRIVE HYDRAULIC LINES AND HOSES, L.H. SIDE - CONTINUED
(655101-)

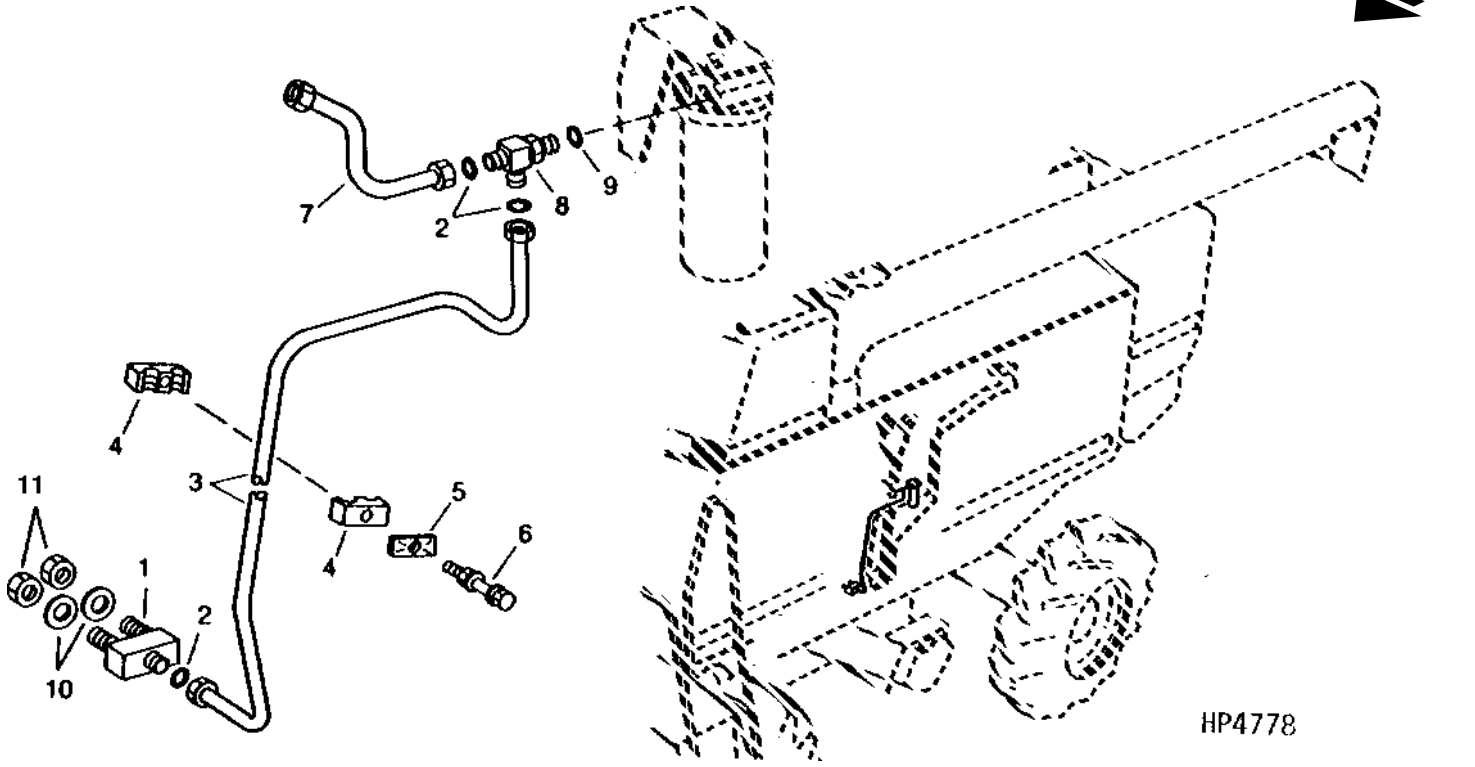
KEY	PART NO.	PART NAME	QTY	SERIAL NO.	REMARKS
1	T77858	O-RING	4		
2	38H1163	ADAPTER	2		
3	U12547	O-RING	2		
4	T77613	O-RING	3		
5	24M7114	WASHER	1		19 X 30 X 4 MM
6	T81029	NUT	1		17.475 MM (11/16")
7	AH130611	HYDRAULIC LINE	1		
8	T77814	O-RING	1		
9	38H1168	ADAPTER	1		
10	R26448	O-RING	1		
11	H114865	CLAMP	6		
12	AH130447	OIL LINE	1		(RETURN)
13	H112567	PLATE	3		
14	03M7245	BOLT	5		M8 X 55
	14M7298	FLANGE NUT	5		M8
15	H114898	CLAMP	4		
16	H114901	PLATE	2		
17	R28782	O-RING	1		
18	38H1309	ADAPTER	1		
19	19M7396	CAP SCREW	2		M16 X 45
20	H127589	CLAMP	2		
21	H121163	COVER	1		
22	H128515	CLAMP	2		
23	AH135620	OIL LINE	1		(PRESSURE)
24	AH139802	HYDRAULIC HOSE	2		
25	19M8162	CAP SCREW	16		M10 X 40
26	38H1160	ADAPTER	1		
27	R26448	O-RING	1		
28	R26375	O-RING	1		
29	38H1024	TEE FITTING	1		
30	T77857	O-RING	2		
31	T78313	O-RING	2		
32	AH133941	MANIFOLD	1		42 GPM, FWD PRESS.
33	AH133942	MANIFOLD	1		30 GPM, REV PRESS.
34	38H1329	ADAPTER	2		
35	R29936	O-RING	2		

3E19

POWER TRAIN

4-WHEEL DRIVE CASE DRAIN HYDRAULIC LINES

HP4778 -UN-01JAN94



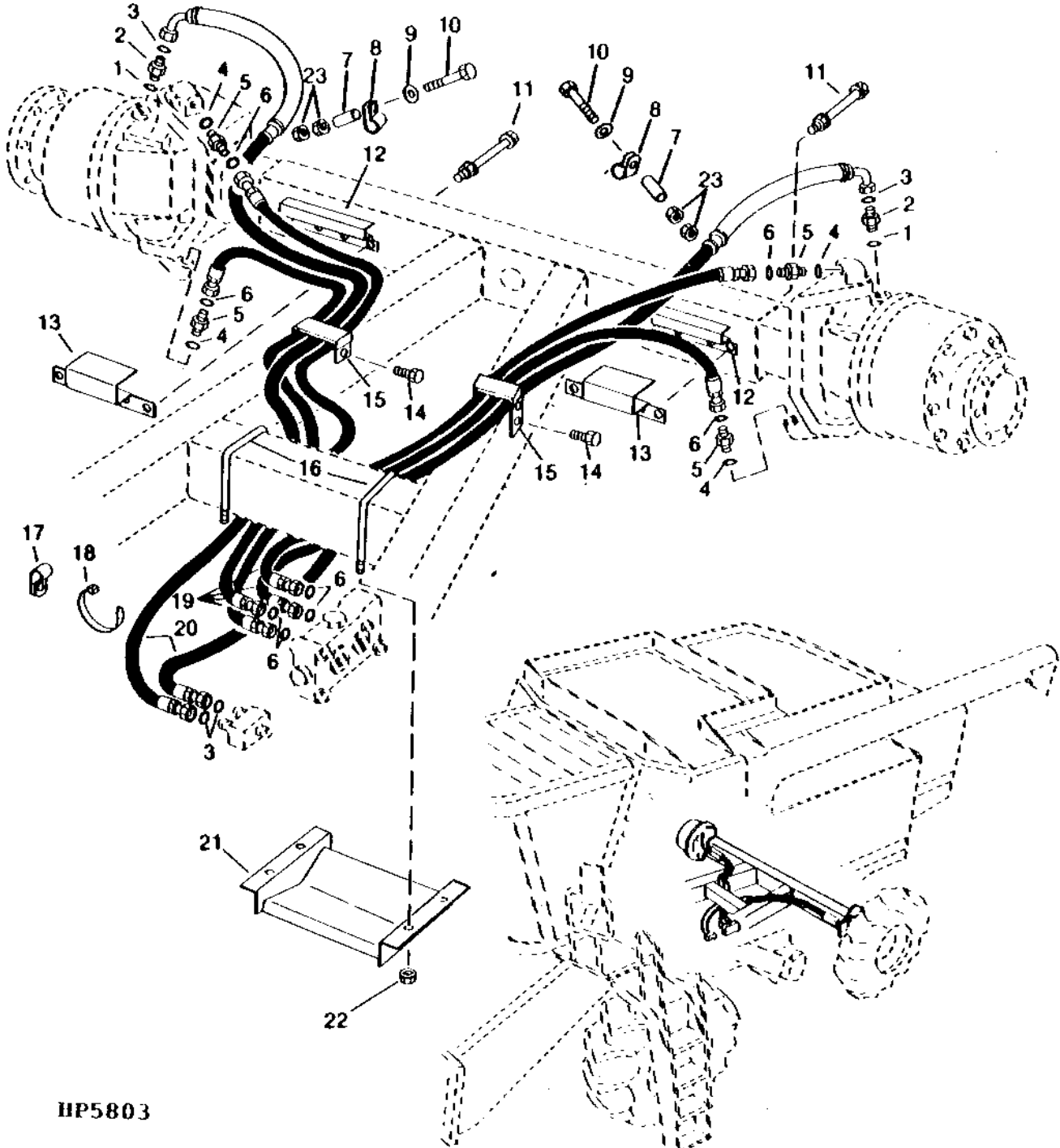
HP4778

KEY	PART NO.	PART NAME	QTY	SERIAL NO.	REMARKS
1	AH128692	MANIFOLD	1		(CASE DRAIN)
2	T77858	O-RING	3		18.771 X 1.778 MM (0.739" X 0.070")
3	AH130449	HYDRAULIC LINE	1		(CASE DRAIN RETURN)
4	H114865	CLAMP	2		
5	H112567	PLATE	1		
6	03M7245	BOLT	1		M8 X 55
	14M7298	FLANGE NUT	1		M8
7	AH126169	OIL LINE	1		(RETURN) (FROM VALVE STACK TO HYD FILTER)
8	38H1438	TEE FITTING	1		
9	R29936	O-RING	1		29.743 X 2.946 MM (1.171" X 0.116")
10	28H1152	BUSHING	2		1.278" X 1.660" X 3/8"
11	T78707	NUT	2		30.175 MM (1-3/16")

MEMORANDA

4-WHEEL DRIVE LINES AND HOSES (FROM FLOW CONTROL VALVE TO CAM LOBE MOTORS)

HP5803 -UN-01JAN94



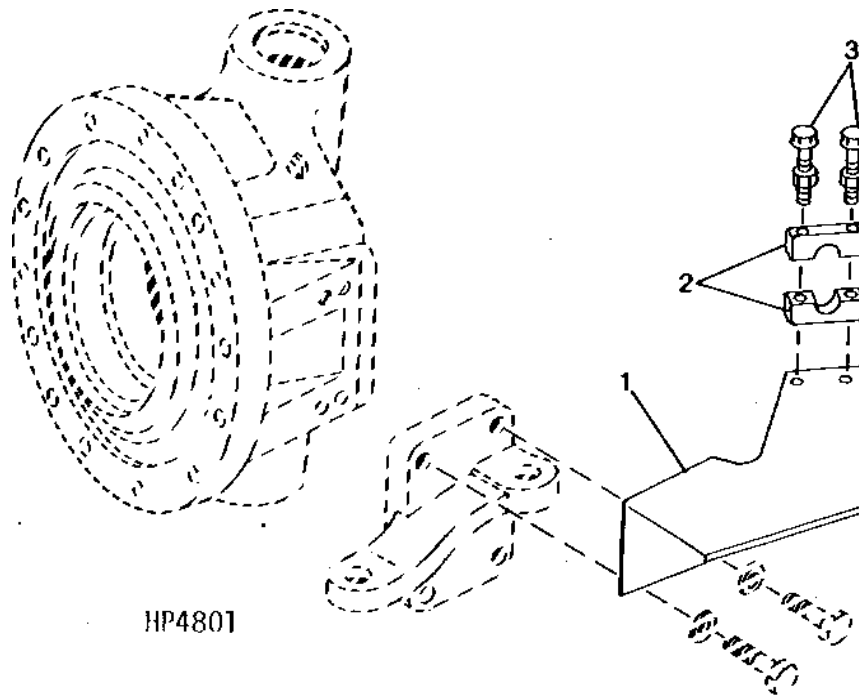
HP5803

4-WHEEL DRIVE LINES AND HOSES - CONTINUED
(FROM FLOW CONTROL VALVE TO CAM LOBE MOTOR)

KEY	PART NO.	PART NAME	QTY	SERIAL NO.	REMARKS
1	R26375	O-RING	2		16.358 X 2.210 MM (0.644" X 0.087")
2	38H1178	ADAPTER	2		
3	T77858	O-RING	4		18.771 X 1.778 MM (0.739" X 0.070")
4	U12547	O-RING	4		23.470 X 2.946 MM (0.924" X 0.116")
5	38H1329	ADAPTER	4		
6	T77932	O-RING	8		15.596 X 1.778 MM (0.614" X 0.070")
7	T25473	SPACER	2		
8	H134690	CLAMP	2	-640100	
	H145247	HALF CLAMP	4	640101-	
9	24H1237	WASHER	2	-640194	25/64" X 7/8" X 0.060"
	24H1305	WASHER	2	640195-	
10	19H1912	CAP SCREW	2	-640100	3/8" X 3-1/2"
	19M7801	SCREW	4	640101-	M8 X 60
11	H121472	BOLT	4		
	14M7300	FLANGE NUT	4		M20
12	H131996	SHIELD	2		
13	H133671	SHIELD	2		
14	37M7092	SCREW	6		M8 X 16
15	AH117418	STRAP	2		
16	H133669	U-BOLT	2		
17	AH77884	CLIP	1		
	19M7865	SCREW	1		M8 X 16
	14M7298	FLANGE NUT	1		M8
18	H113196	TIE BAND	1		
19	AH143406	HYDRAULIC HOSE	4		1" X 3 240 MM (127-1/2") X 1", (SUB FOR AH128761)
20	AH130865	HYDRAULIC HOSE	2	-640100	1-3/16" X 3 900 MM (153-1/2") X 1-3/16" (CASE DRAIN)
	AH139853	HYDRAULIC HOSE	2	640101-	1-3/16" X 3 900 MM (153-1/2") X 1-3/16", (CASE DRAIN)
21	AH128757	SHIELD	1		
22	14M7296	FLANGE NUT	4		M10
23	14M7298	FLANGE NUT	4	640101-	M8
..	TY16285	PRIMER	1		(SUB FOR TY6305) ON KEY 10 AND HOLE
..	T43512	SEALANT	1		

MUD SHIELDS - POWERED REAR WHEELS

HP4801 -UN-01JAN94



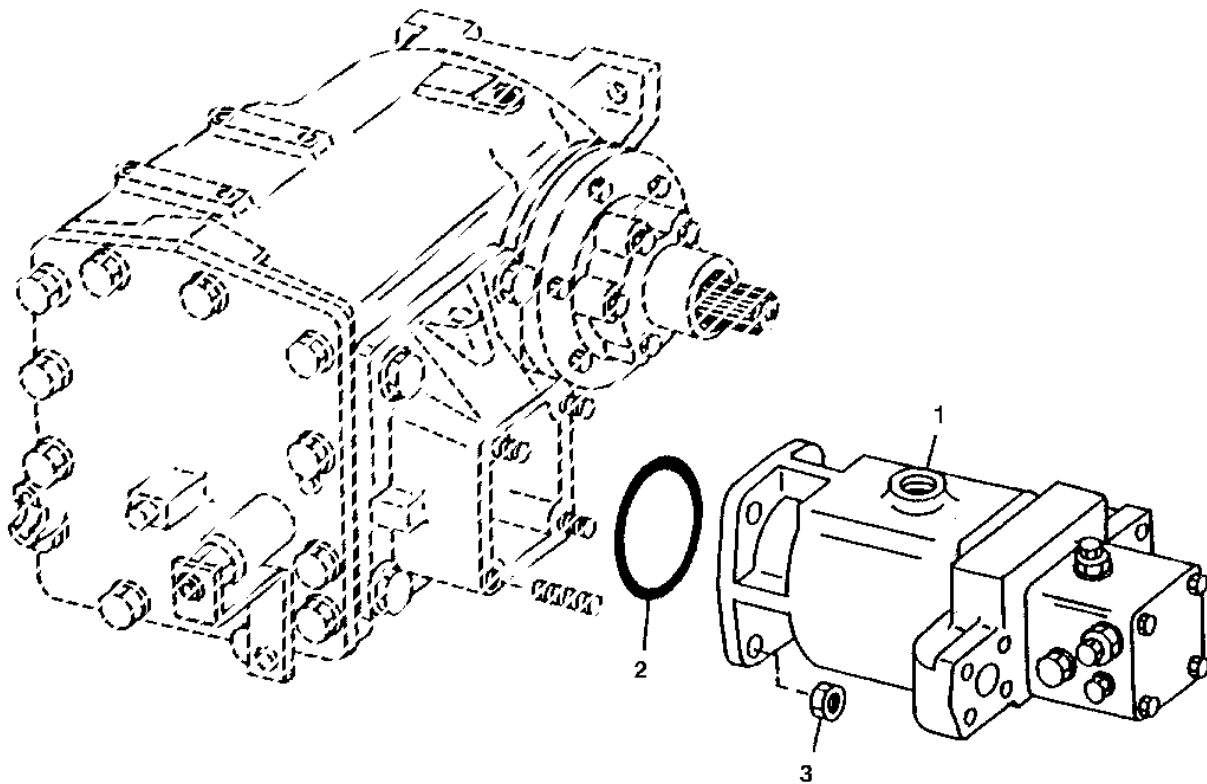
HP4801

KEY	PART NO.	PART NAME	QTY	SERIAL NO.	REMARKS
1	H146088	SHIELD	1		LEFT-HAND
	H146089	SHIELD	1		RIGHT-HAND
2	H145247	HALF CLAMP	2		
3	19M7801	SCREW	2		M8 X 60
	14M7298	FLANGE NUT	1		M8

MEMORANDA

3E23

HYDROSTATIC DRIVE MOTOR
HP6551 -UN-23AUG96



HP6551

3E24

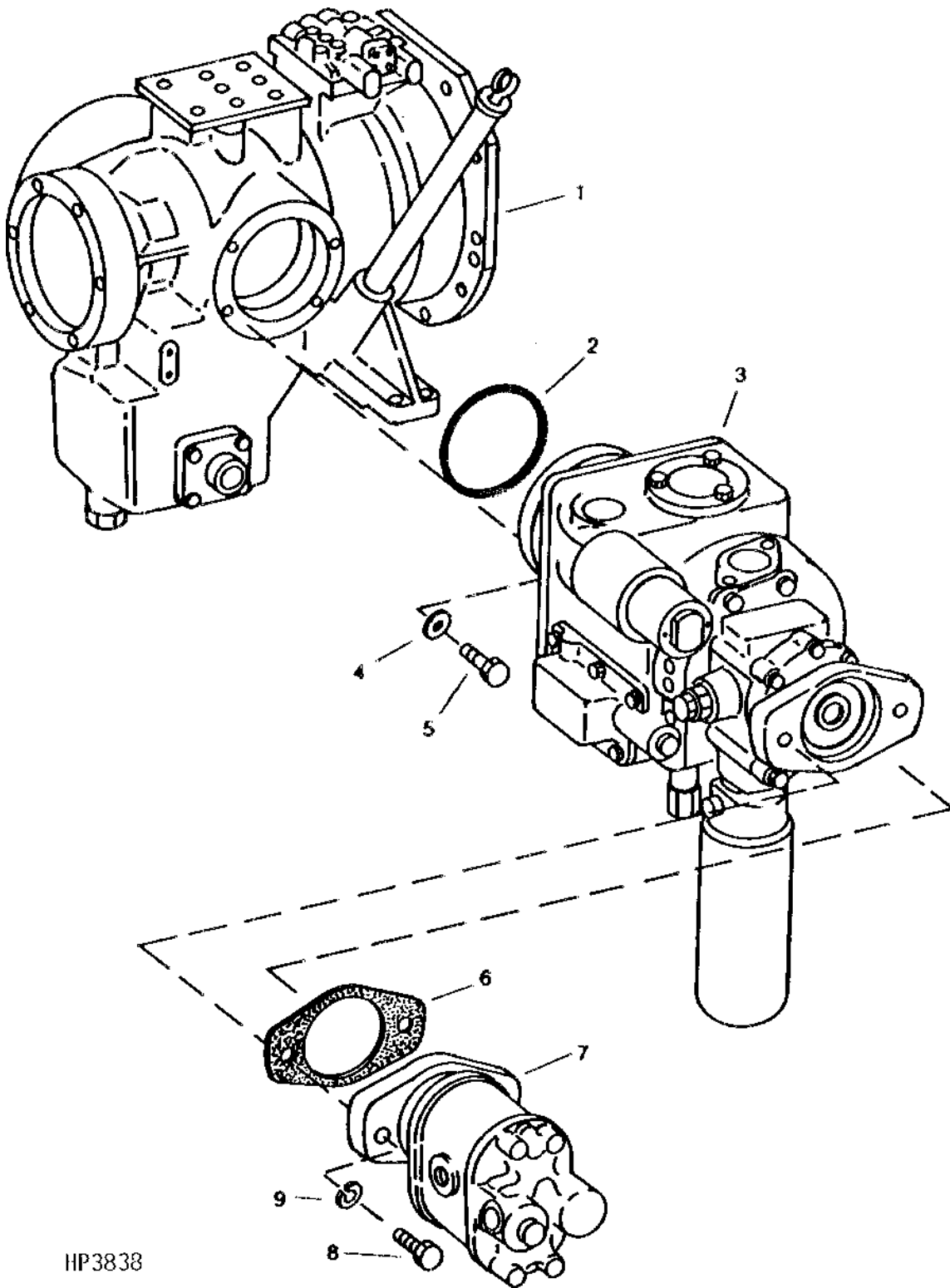
POWER TRAIN

HYDROSTATIC DRIVE MOTOR - CONTINUED

KEY	PART NO.	PART NAME	QTY	SERIAL NO.	REMARKS
1	AH131310	MOTOR	1		
2	R63308	O-RING	1		120.015 X 5.334 MM (4.725" X 0.210") RING AND PINION
3	14M7029	NUT	4		M8

3F1

ENGINE GEARCASE - HYDROSTATIC DRIVE PUMP - MAIN HYDRAULIC PUMP CONNECTING HARDWARE
HP3838 -UN-01JAN94



HP3838

3F2

POWER TRAIN

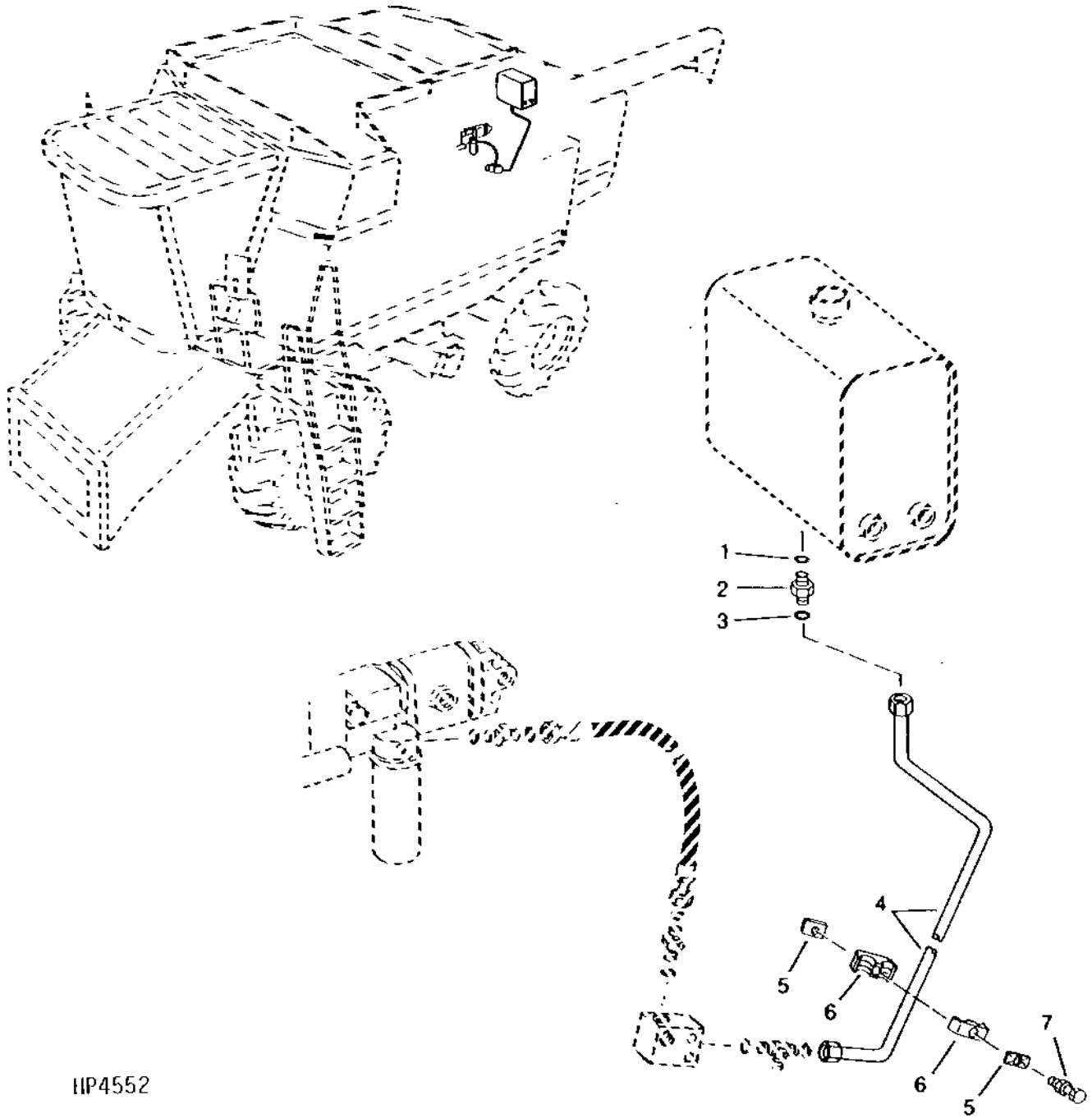
ENGINE GEARCASE - HYDROSTATIC DRIVE PUMP - MAIN HYDRAULIC PUMP CONNECTING HARDWARE-CONT.

KEY	PART NO.	PART NAME	QTY	SERIAL NO.	REMARKS
1	AH134862	GEAR CASE	1		
2	R63308	O-RING	1		120.015 X 5.334 MM (4.725" X 0.210")
3	AH131305	PUMP	1		(SUB AH160785 AND E65288) RING AND PINION
	AH160785	PUMP	1		REMANUFACTURED
4	T29342	WASHER	1		
5	19M7493	CAP SCREW	1		M12 X 40
6	H131121	GASKET	1		(SHOWN) (USE WITH AH131305)
	E65288	O-RING	1		(USE WITH AH160785)
7	AH131182	HYDRAULIC PUMP	1		
8	19H1732	CAP SCREW	4		3/8" X 1-1/4"
9	12H304	LOCK WASHER	4		3/8"

3F3

RETURN LINE TO RESERVOIR - 4-WHEEL DRIVE

(640101-)
HP4552 -UN-01JAN94



HP4552

3F4

POWER TRAIN

RETURN LINE TO RESERVOIR - 4-WHEEL DRIVE - CONTINUED
(640101-)

KEY	PART NO.	PART NAME	QTY	SERIAL NO.	REMARKS
1	R26448	O-RING	1		11.887 X 1.981 MM (0.468" X 5/64")
2	38H1160	ADAPTER	1		
3	T77613	O-RING	1		9.246 X 1.778 MM (0.364" X 0.070")
4	AH130445	HYDRAULIC LINE	1		
5	H112567	PLATE	2		
6	H114865	CLAMP	2		
7	19M7801	SCREW	1		M8 X 60
	14M7298	FLANGE NUT	1		M8

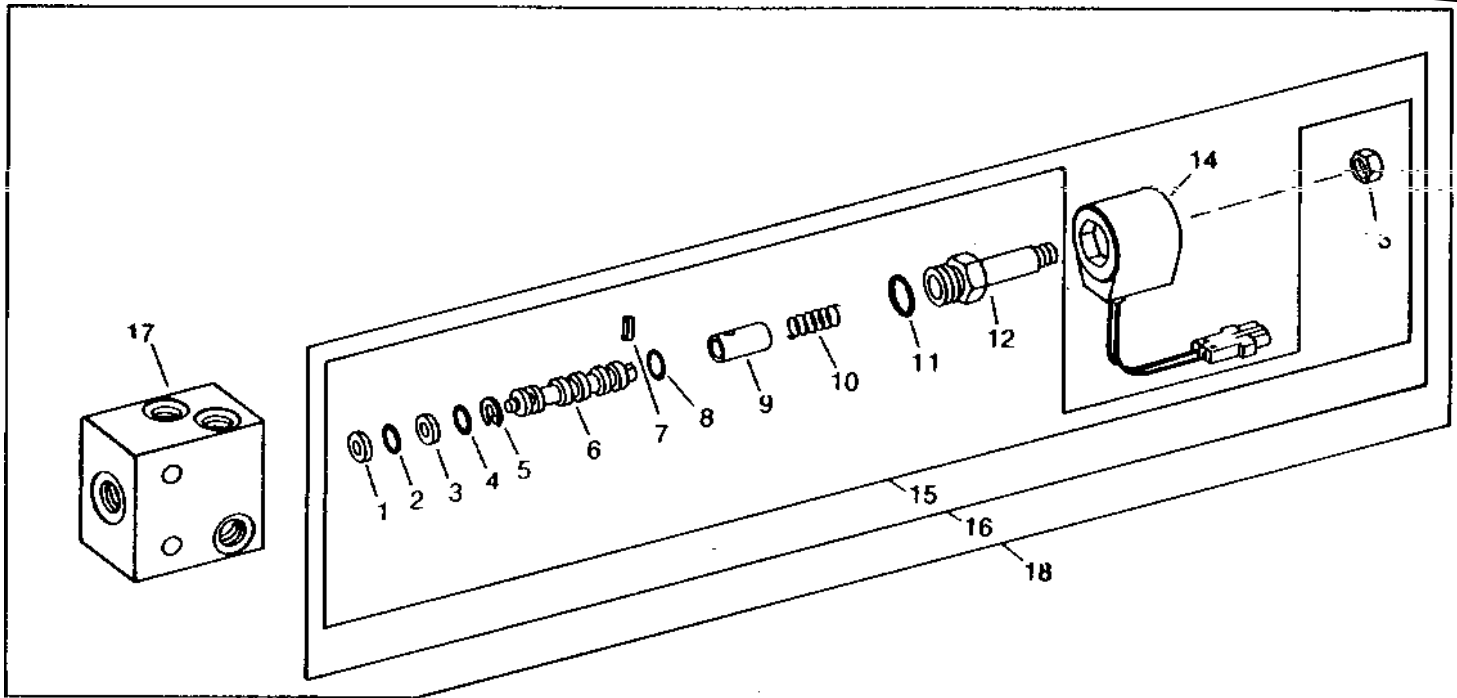
MEMORANDA

3F7

PARKING BRAKE VALVE

(-640100)

HP2987 -UN-01JAN94

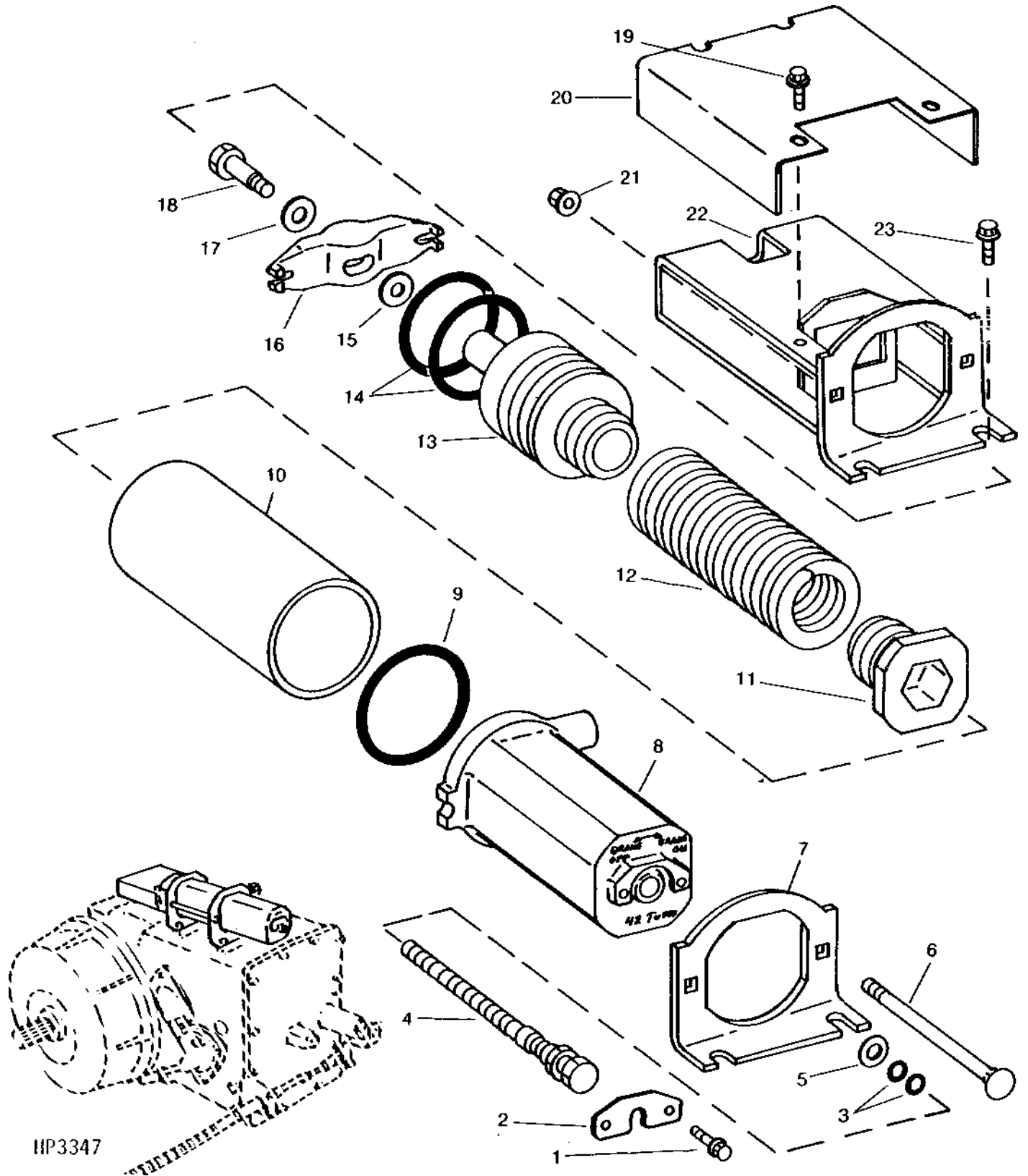


HP 2987

KEY	PART NO.	PART NAME	QTY	SERIAL NO.	REMARKS
1	R42926	BACK-UP RING	1		
2	R45186	O-RING	1	-645314	(SUB T77857)
	T77857	O-RING	1		
3	R45187	BACK-UP RING	1		
4	R45638	O-RING	1		
5	R46701	SNAP RING	1		
6	VALVE SPOOL	1		
7	34H227	SPRING PIN	1	3/32" X 1/2"	
8	N31772	O-RING	1		
9	PLUNGER	1		
10	R64698	SPRING	1		
11	U12547	O-RING	1		
12	GUIDE	1		
13	M63707	LOCK NUT	1		
14	AH128654	ELECTRICAL COIL	1		
	R78053	PIN CONTACT CONNECTOR BODY	1		(PKG OF 3)
	R78059	ELECTRICAL PLUG	1		(PKG OF 40)
	R78061	PIN CONTACT	1		(PKG OF 40)
15	AH130949	SOLENOID VALVE	1		
16	AH128655	SOLENOID VALVE	1		
17	H133827	VALVE	1		
18	AH128990	VALVE	1		

3F8

PARK BRAKE ACTUATOR
(-640100)
HP3347 -UN-01JAN94



HP3347

3F9

STEERING AND BRAKES

PARK BRAKE ACTUATOR - CONTINUED (-640100)

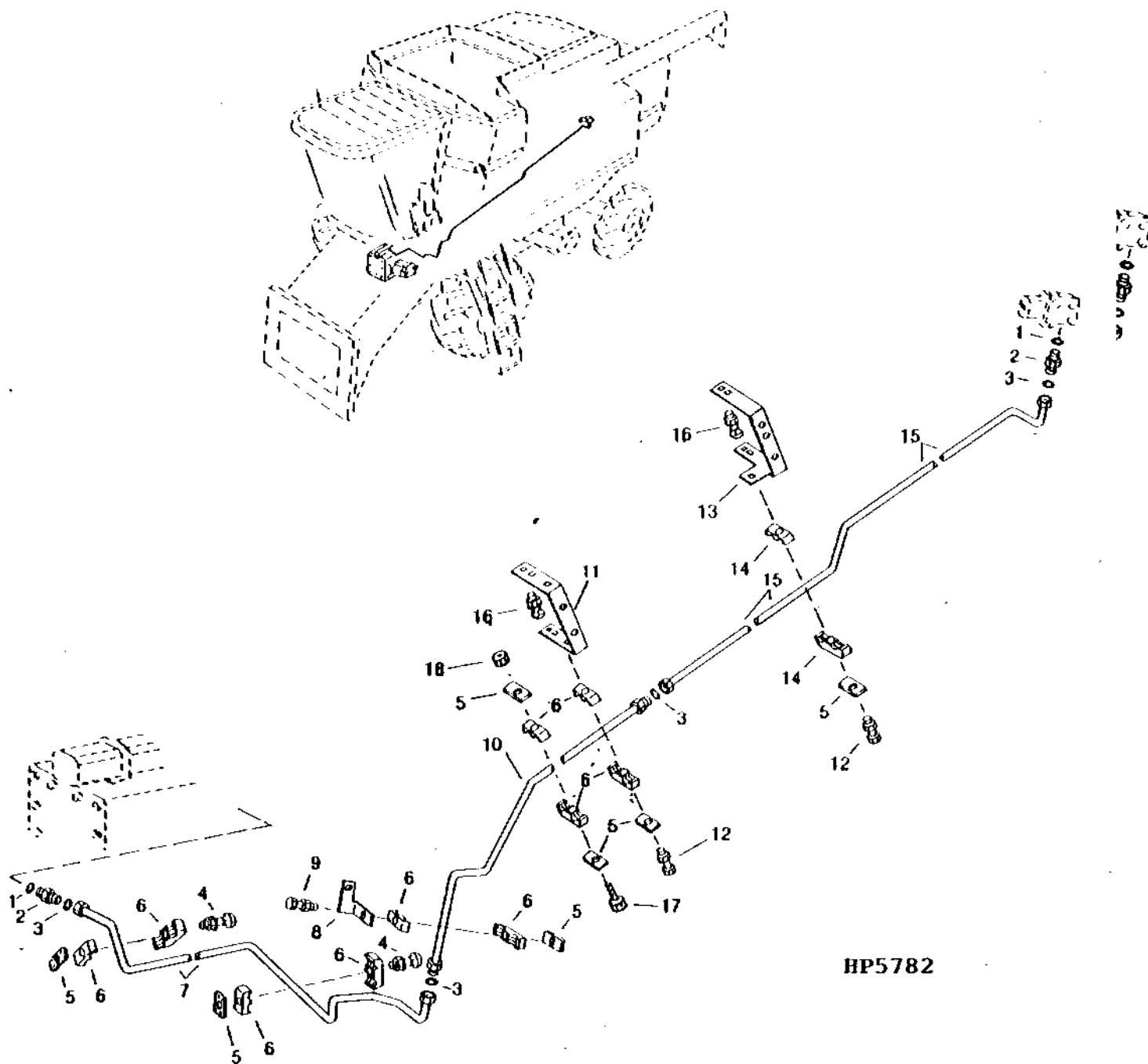
KEY	PART NO.	PART NAME	QTY	SERIAL NO.	REMARKS
1	19M7861	SCREW	2	-630957	M6 X 10 HARDENED, (SUB 19M7865)
	19M7865	SCREW	2		M8 X 16
2	H140333	RETAINER	1	-630957	
	H140322	RETAINER	1	630958-	
3	A3917R	O-RING	2		
4	H133743	CRANK	1	-630957	(SUB H140308) REQUIRES H140322, H140299 AND (2) 19M7865
	H140308	CRANK	1		
5	24M7240	WASHER	1		13 X 25 X 3 MM
6	03M7313	BOLT	2		M8 X 140, HARDENED
7	H133745	FLANGE	1		
8	H133738	HOUSING	1	-630957	(SUB H140299) REQUIRES H140322, H140308 AND (2) 19M7865
	H140299	HOUSING	1		
9	H80821	O-RING	1		
10	H133742	BUSHING	1		
11	H133739	CAP	1		
12	H133747	EXTENSION SPRING	1		
13	H133740	PISTON	1		
14	U10063	O-RING	2		
15	24M7238	WASHER	1		8.700 X 17 X 2 MM
16	H133741	BALANCER	1		
17	24M7239	WASHER	1		10.700 X 21 X 2.500 MM
18	H119007	SCREW	1		SHOULDER
19	37M7083	SCREW	2		M8 X 12
20	H133748	SHIELD	1	-640100	
21	14M7298	FLANGE NUT	2		M8, FLANGE
22	AH128889	BRACKET	1		
23	19M7865	SCREW	4		M8 X 16

3F10

PARKING BRAKE LINES, LOWER

(-640100)

HP5782 -UN-01JAN94



HP5782

3F11

STEERING AND BRAKES

PARKING BRAKE LINES, LOWER - CONTINUED

(-640100)

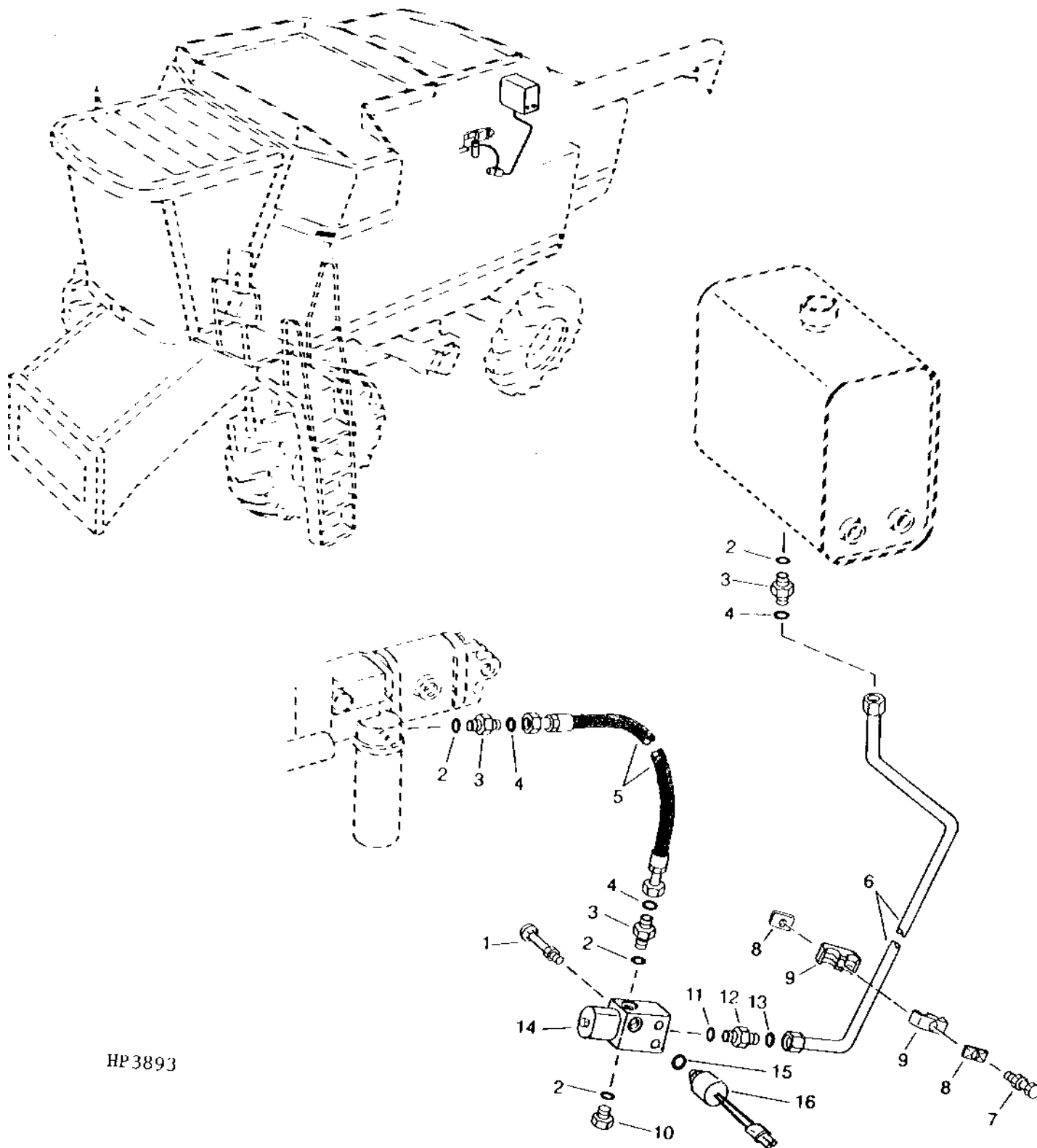
KEY	PART NO.	PART NAME	QTY	SERIAL NO.	REMARKS
1	R26448	O-RING	2		
2	38H1160	ADAPTER	2		
3	T77613	O-RING	4		
4	03M7262	BOLT	2		M6 X 50 (RD. HEAD)
	14M7303	FLANGE NUT	2		M6
5	H121168	PLATE	6		
6	H108291	CLAMP	9	-645304	(SUB H135156)
	H135156	CLAMP	9		
7	AH131578	OIL LINE	1		(SINGLE REDUCTION FINAL DRIVE ONLY)
8	H135974	BRACKET	1		
9	19M8317	SCREW	1		M8 X 40
	14M7298	FLANGE NUT	1		M8
10	AH131575	HYDRAULIC LINE	1		
11	H131115	BRACKET	1		
12	19M8318	SCREW	2		M8 X 45
	14M7298	FLANGE NUT	2		M8
13	H133659	BRACKET	1		
14	H109046	CLAMP	2		
15	AH131299	OIL LINE	1		
16	19M7866	SCREW	8		M8 X 20 (RD. HEAD)
	14M7396	LOCK NUT	8		
17	19M8319	SCREW	1		M8 X 50
18	14M7298	FLANGE NUT	1		M8

3F12

PARKING BRAKE LINES AND HOSES, UPPER

(-640100)

HP3893 -UN-01JAN94



HP3893

3F13

PARKING BRAKE LINES AND HOSES, UPPER - CONTINUED

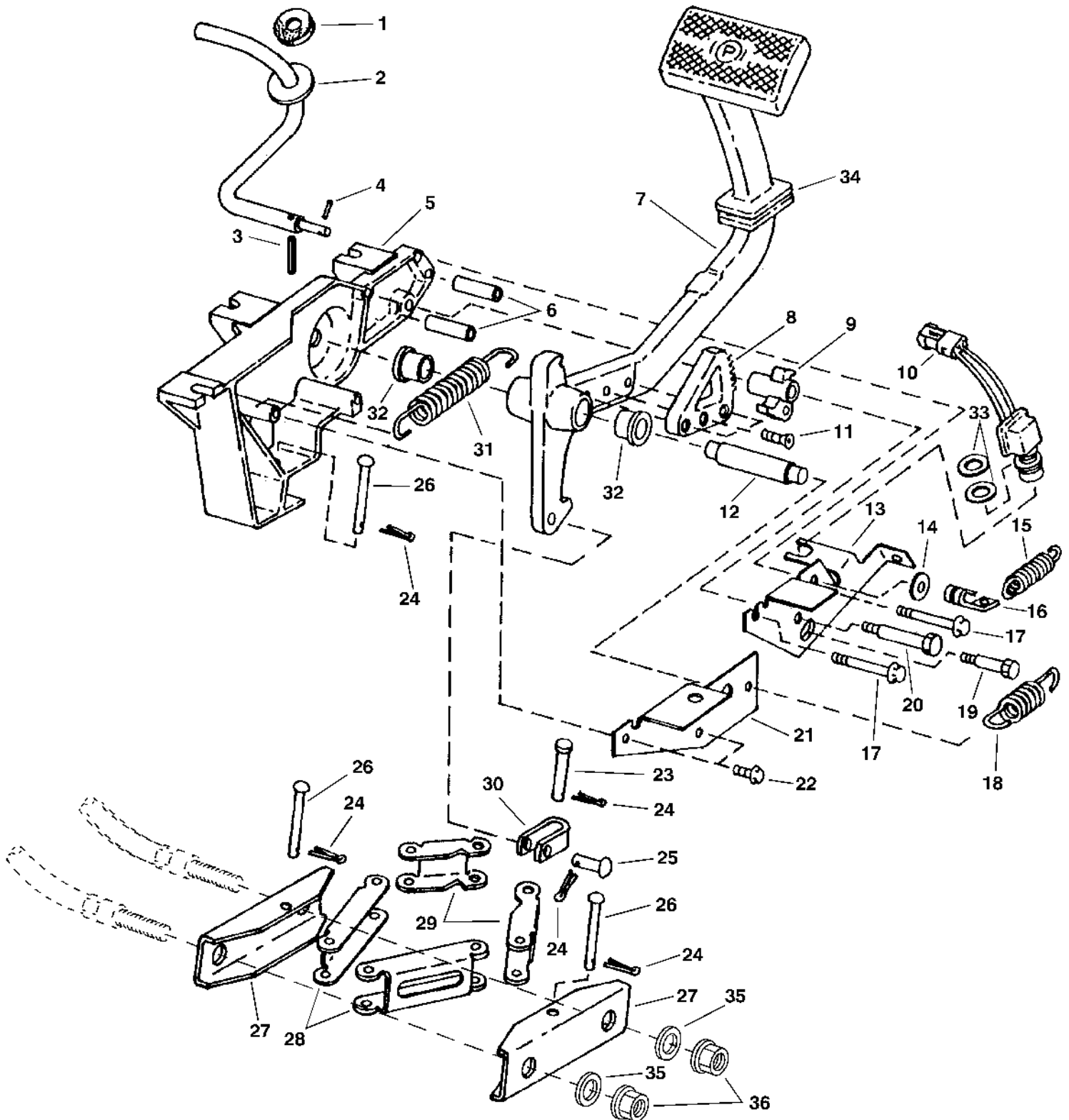
(-640100)

KEY	PART NO.	PART NAME	QTY	SERIAL NO.	REMARKS
1	03M7223	BOLT	2		M8 X 60 (RD. HEAD)
	14M7298	FLANGE NUT	2		M8
2	R26448	O-RING	4		
3	38H1160	ADAPTER	3		
4	T77613	O-RING	3		
5	AH128894	HYDRAULIC HOSE	1		11/16" X 505 MM (20") X 11/16" (PRESSURE)
6	AH130445	HYDRAULIC LINE	1		(RETURN)
7	19M7801	SCREW	1		M8 X 60
	14M7298	FLANGE NUT	1		M8
8	H112567	PLATE	2		
9	H114865	CLAMP	2		
10	R27218	FITTING PLUG	1		
11	R26375	O-RING	1		
12	38H1213	ADAPTER	1		
	R39112	FITTING	1		TO PLUG FITTING WHEN 4-WHEEL DRIVE NOT USED
13	T77857	O-RING	1		
14	AH128990	VALVE	1		(PARK BRAKE)
15	R26448	O-RING	1		
16	AH128929	SWITCH	1		

3F14

PARKING BRAKE PEDAL AND SEAL

HP6710 -UN-14MAY97



HP6710

3F15

STEERING AND BRAKES

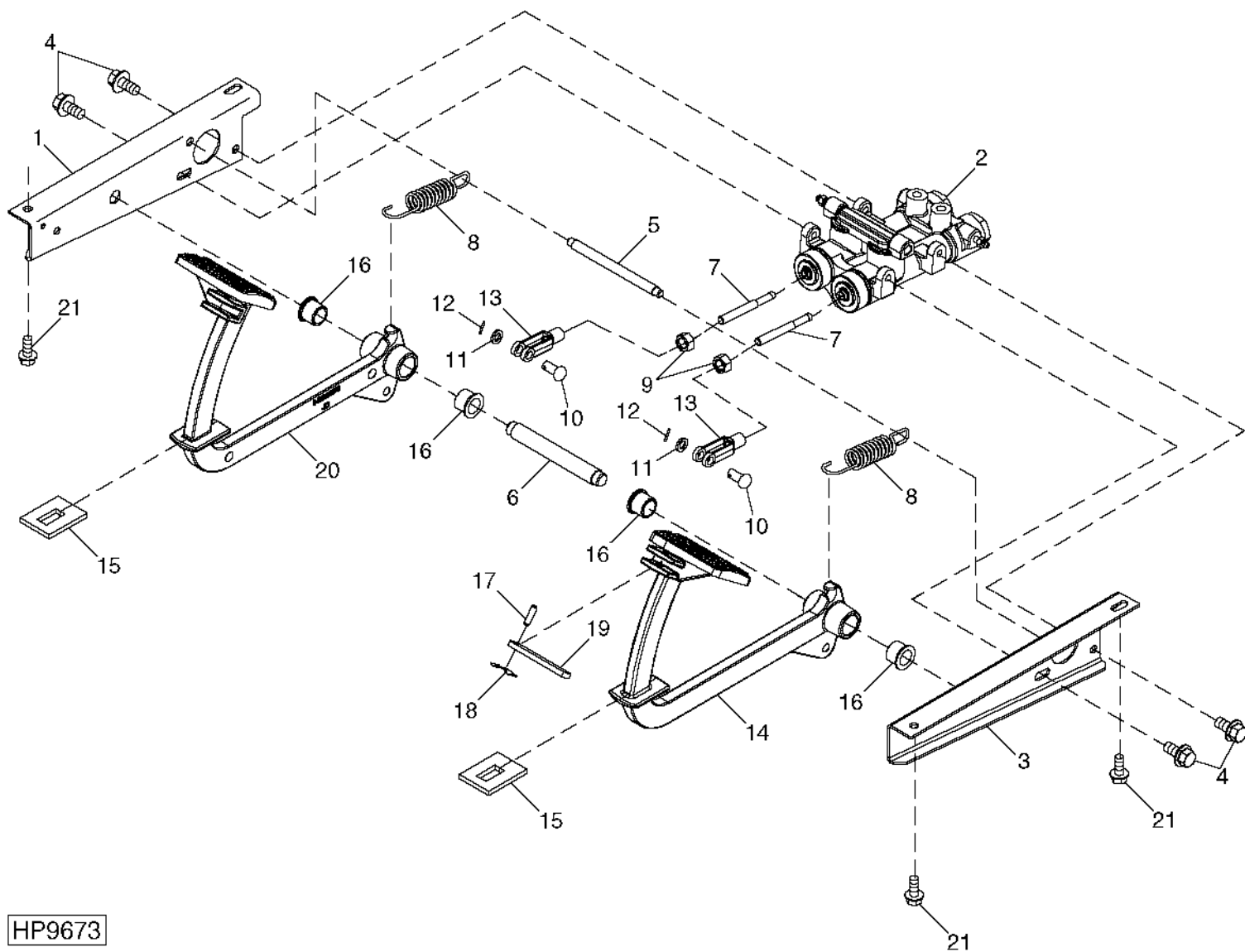
PARKING BRAKE PEDAL AND SEAL - CONTINUED

KEY	PART NO.	PART NAME	QTY	SERIAL NO.	REMARKS
1	H145847	SEAL	1		
2	AH146492	ARM	1	(SUB FOR AH135695)	
3	34M7124	SPRING PIN	1	8 X 30 MM	
4	34M7116	SPRING PIN	1	3 X 24 MM	
5	H140595	FRAME	1		
6	28H1633	BUSHING	2	9.246 X 13.716 X 39.675 MM (0.364" X 0.540" X 1-9/16")	
7	H140620	PEDAL	1		
8	H140746	RATCHET	1		
9	H140747	PAWL	1		
10	AH140605	SWITCH	1	(SUB FOR AH123025)	
11	H140692	SCREW	1		
12	H140708	PIN	1		
13	H146327	PLATE	1	(SUB FOR H141246)	
14	H110232	WASHER	1		
15	R60730	SPRING	1		
16	H141069	HOOK	1		
17	19M7801	SCREW	2	M8 X 60	
18	H124258	SPRING	1		
19	H140715	BOLT	1		
20	H140712	BOLT	1		
21	H140691	PLATE	1		
22	19M7867	SCREW	1	M8 X 25	
23	M43649	PIN	1		
24	11M7081	COTTER PIN	4	2.500 X 20 MM	
25	RV702A	PIN	5		
26	H109716	PIN	3		
27	H140694	BALANCER	2		
28	H140695	LINK	2		
29	H140696	LINK	2		
30	H140713	CLEVIS	1		
31	H104075	SPRING	1		
32	H105005	BUSHING	2		
33	24H1375	WASHER	2		
34	H141422	SEAL	1		
35	24M7207	WASHER	2	8.400 X 24 X 2 MM	
36	E64256	LOCK NUT	2	M8	

3F16

BRAKE PEDALS AND MASTER CYLINDERS

HP9673 -UN-03APR00



HP9673

3F17

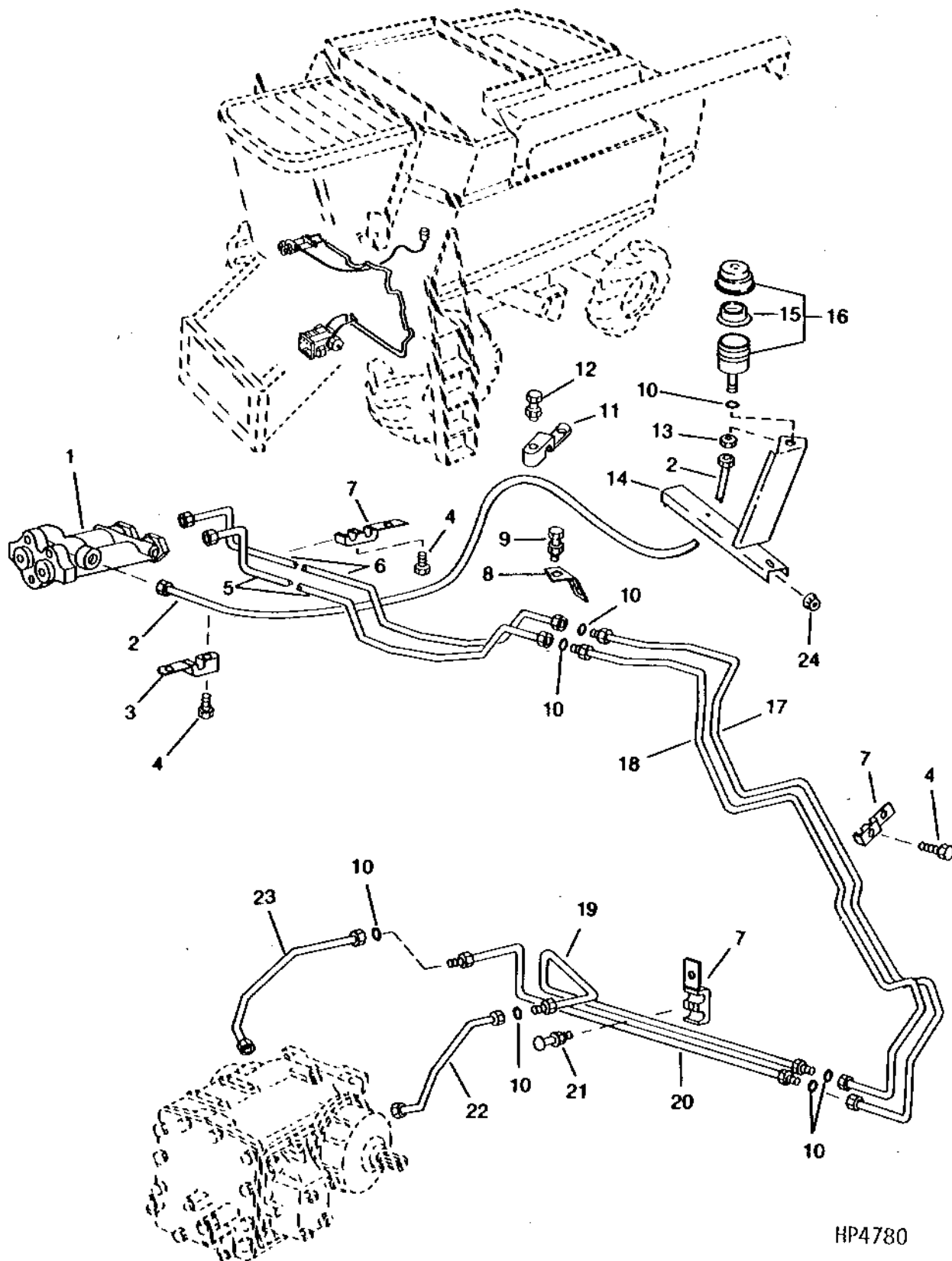
STEERING AND BRAKES

BRAKE PEDALS AND MASTER CYLINDERS - CONTINUED

KEY	PART NO.	PART NAME	QTY	SERIAL NO.	REMARKS
1	H156514	SUPPORT	1		(SUB FOR H130191) R.H.
2	AH160136	CYLINDER	1		(SUB FOR AH120637, AH136301 AND AH143737)
3	H156513	SUPPORT	1		(SUB FOR H130190) L.H.
4	19M7784	SCREW	4		M10 X 20
5	H120389	PIN	1		
6	H120388	PIN	1		
7	H124259	STUD	2		
8	H124258	SPRING	2		
9	14M7274	NUT	2		M10
10	45M7118	PIN	2		10 X 35 MM, (SUB FOR H114331)
11	24M7028	WASHER	2		10.500 X 20 X 2 MM
12	11M7059	COTTER PIN	2		3.200 X 20 MM
13	H114330	YOKE	2		
14	H172924	PEDAL	1		(SUB FOR H144270, H152166 OR H124254) L.H.
15	H111234	SEAL	2		
16	H105005	BUSHING	4		
17	34H312	SPRING PIN	1		1/4" X 1", (SUB FOR 34H101)
18	H95902	SPRING	1		
19	H99264	STRAP	1		
20	H172923	PEDAL	1		(SUB FOR H144269, H152165 OR H124255) R.H.
21	19M7866	SCREW	4		M8 X 20

3F18

BRAKE LINES, MASTER CYLINDER AND RESERVOIR
HP4780 -UN-01JAN94



HP4780

3F19

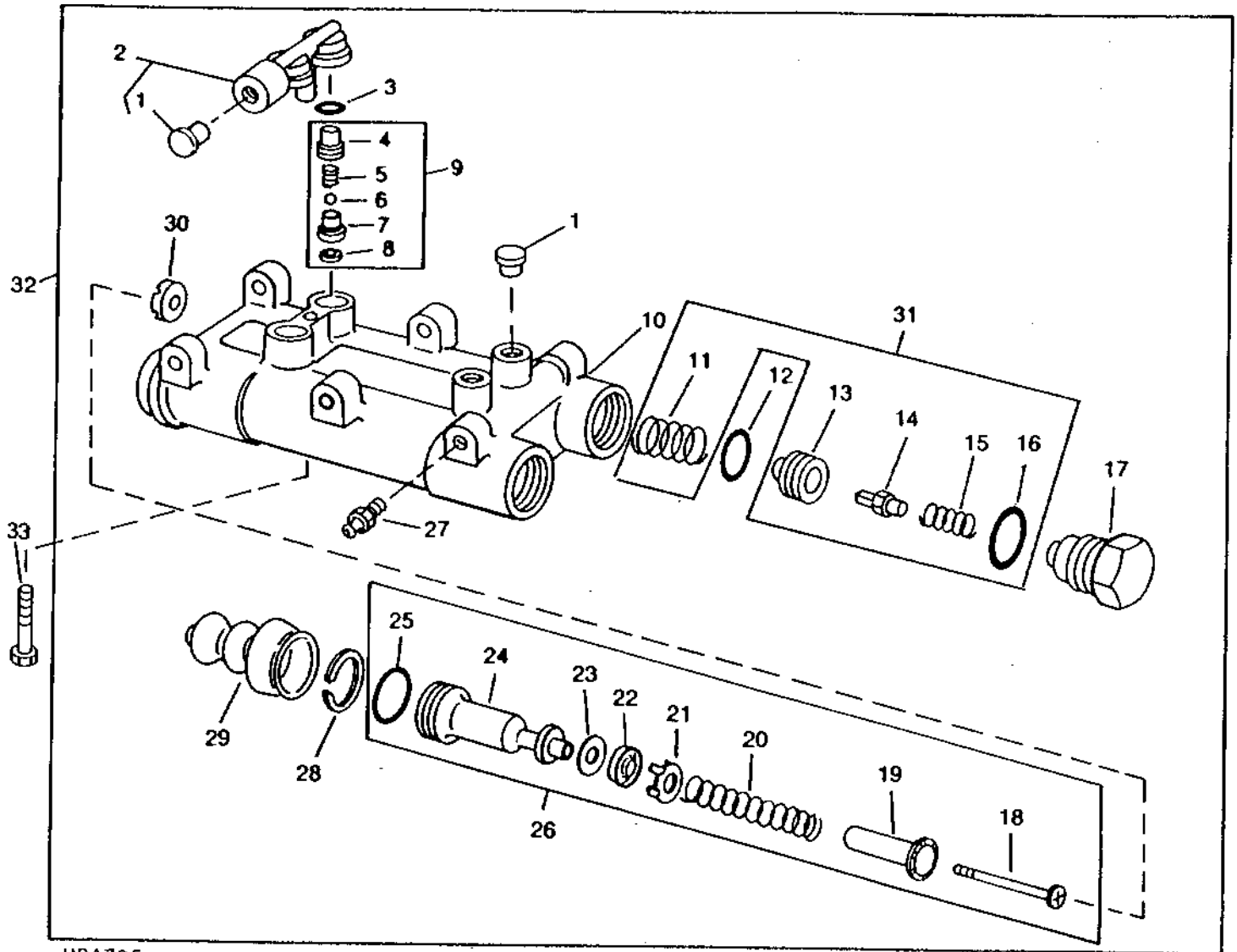
STEERING AND BRAKES

BRAKE LINES, MASTER CYLINDER AND RESERVOIR - CONTINUED

KEY	PART NO.	PART NAME	QTY	SERIAL NO.	REMARKS
1	AH160136	CYLINDER	1		(SUB FOR AH120637, AH136301 AND AH143737)
2	AH130469	OIL LINE	1	-650100	
	AH141794	OIL LINE	1	650101-	
3	H112911	CLAMP	3		
4	37M7131	SCREW	9		M6 X 20
5	AH130416	OIL LINE	1	-650100	L.H.
	AH141686	OIL LINE	1	650101-	
6	AH130417	OIL LINE	1	-650100	R.H.
	AH141687	OIL LINE	1	650101-	
7	H112910	CLAMP	9		
8	H134343	BRACKET	1		
9	19M7775	SCREW	3		M6 X 16
	14M7303	FLANGE NUT	3		M6
10	H127752	O-RING	7		
11	H112911	CLAMP	1		
12	19M7775	SCREW	3		M6 X 16
	14M7303	FLANGE NUT	3		M6
13	14H832	NUT	1		9/16"
14	H131703	SUPPORT	1		
	AH136362	SUPPORT	1		
15	H109254	DIAPHRAGM	1		
16	AH130605	RESERVOIR	1		
17	AH130612	OIL LINE	1		R.H.
18	AH130613	OIL LINE	1		L.H.
19	AH130412	OIL LINE	1		L.H.
20	AH130413	OIL LINE	1		R.H.
21	03M7290	BOLT	3		M6 X 30
	14M7303	FLANGE NUT	3		M6
22	AH128842	OIL LINE	1		
23	AH128843	OIL LINE	1		
24	14M7296	FLANGE NUT	2		M10

3F20

BRAKE MASTER CYLINDER
HP4735 -UN-01JAN94



HP4735

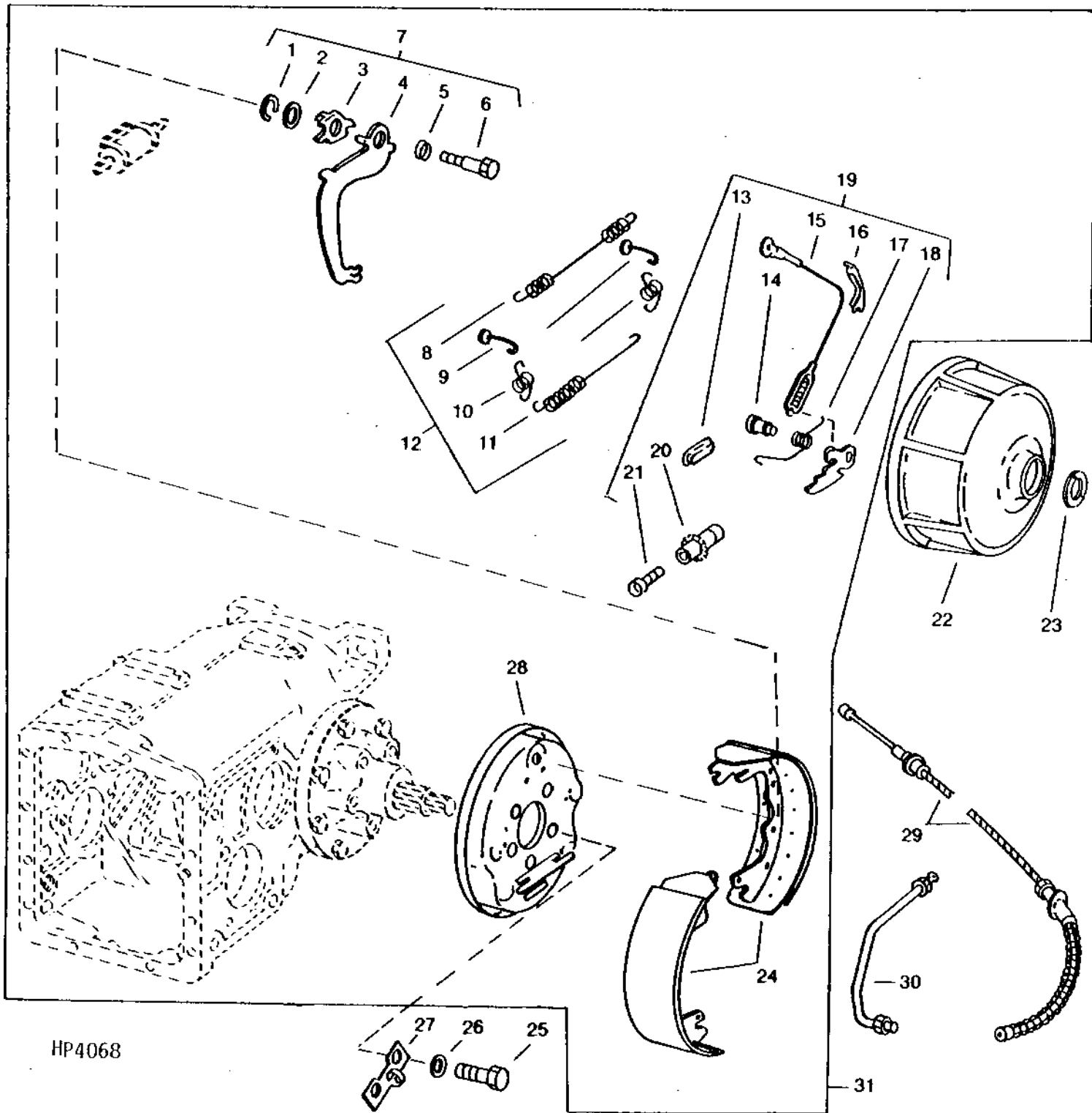
3F21

BRAKE MASTER CYLINDER - CONTINUED

KEY	PART NO.	PART NAME	QTY	SERIAL NO.	REMARKS
1	SEAT	3		
2	AH133127	CONNECTOR	1	-635180	(SUB AH136305)
	AH136305	DEVICE	1		
3	O-RING	2		(KIT AH133128)
4	VALVE	2		
5	SPRING	2		
6	BALL	2		
7	VALVE SEAT	2		
8	SEAL	2		
9	AH133126	VALVE	2		
10	HOUSING	1		
11	SPRING	2	-635180	(A)
	H141869	SPRING	2		
12	O-RING	2		(KIT AH133128)
13	BEARING	2		(A)
14	POPPET	2		(A)
15	SPRING	2		(A)
16	O-RING	2		(A)
17	H81467	FITTING PLUG	2		
18	SCREW	2		
19	RETAINER	2		
20	SPRING	2		
21	RETAINER	2		
22	OIL CUP	2		
23	RETAINER	2		
24	PISTON	2		
25	O-RING	2		
26	AH133125	PISTON	2	-635180	(SUB AH136304)
	AH136304	PISTON	2		
27	R21612	BLEED SCREW	1		
28	SNAP RING	2		(KIT AH133128)
29	BOOT	2		(KIT AH133128)
30	H81461	RETAINER	2		
31	AH161485	KIT	1		(SUB FOR AH138702) (INCLUDES PARTS MARKED (A))
32	AH160136	CYLINDER	1		(SUB FOR AH120637, AH136301 AND AH143737)
33	BOLT	1		(KIT AH133128)
..	AH133128	KIT	1		

3F22

BRAKE SHOES AND DRUM
(L.H. ILLUSTRATED)
HP4068 -UN-01JAN94



HP4068

3F23

STEERING AND BRAKES

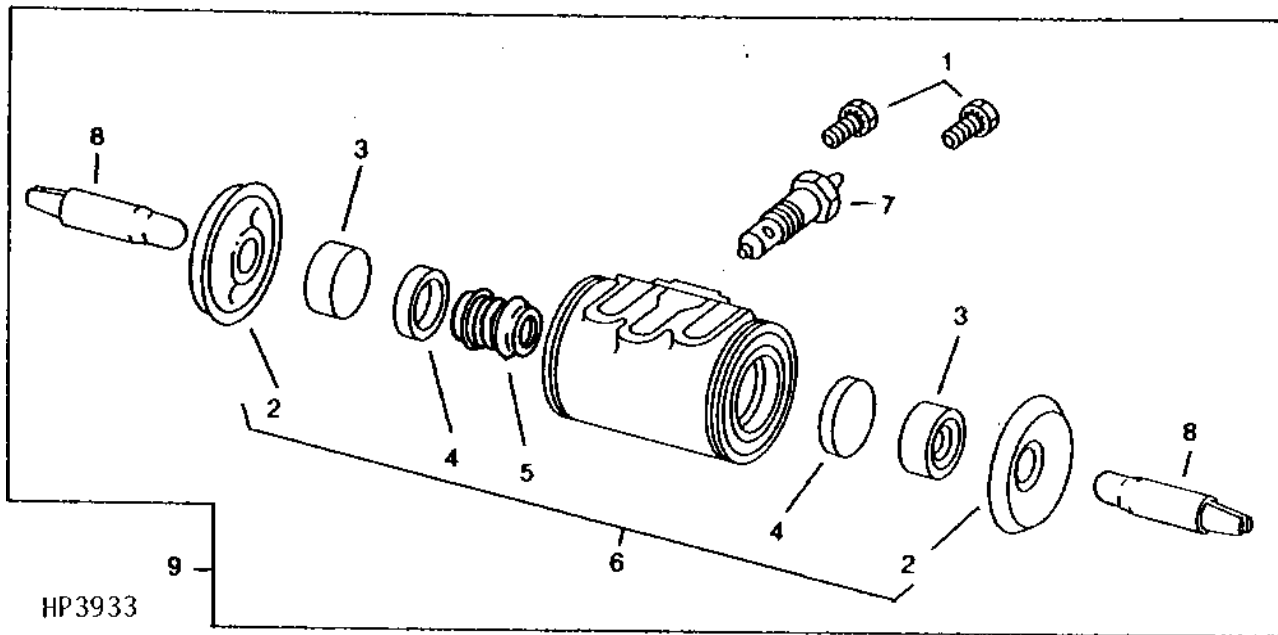
BRAKE SHOES AND DRUM - CONTINUED (L.H. ILLUSTRATED)

KEY	PART NO.	PART NAME	QTY	SERIAL NO.	REMARKS
1	SNAP RING	1		
2	WASHER	1		
3	CAM	1		
4	LEVER	1		
5	SPRING	1		
6	BOLT	1		(ANCHOR PIN)
7	AH131058	KIT	1		R.H.
	AH131059	KIT	1		L.H.
8	SPRING	1		(UPPER SHOE-TO-SHOE)
9	H140135	LINK	2		
10	SPRING	2		(LOWER SHOE-TO-SHOE)
11	SPRING	2		(HOLD DOWN)
12	AH131051	KIT	1		
13	COVER	1		(RUBBER)
14	PIN	1		
15	CABLE	1		
16	GUIDE	1		
17	SPRING	1		
18	PAWL	1		(ADJUSTER)
19	AH131054	KIT	1		R.H.
	AH131055	KIT	1		L.H.
20	WHEEL	1		
21	SCREW	1		
22	CE18206	BRAKE DRUM	2		(SUB FOR H136018)
23	B32564	RING	2		
24	AH132840	BRAKE SHOE	1		R.H. AND L.H. (SET OF 4)
25	19M7597	CAP SCREW	5		M20 X 50
26	N12679	WASHER	5		20.625 X 38.100 X 3.404 MM (13/16" X 1-1/2" X 0.134")
27	H133351	GUIDE	2		
28	AH131062	KIT	1		
29	AH128723	BRAKE	1	-640100	
	AH139284	CABLE	1	640101-645416	(SUB AH141582)
	AH141582	CABLE	1		
30	AH128842	OIL LINE	1		L.H.
	AH128843	OIL LINE	1		R.H.
31	AH134304	BRAKE	1		R.H.
	AH134305	BRAKE	1		L.H.
..	H77698	TIE BAND	2	645417-	TO SECURE CABLES ON TOP OF TRANSMISSION

NOTE: QUANTITIES SHOWN ARE FOR ONE UNIT. TWO UNITS USED PER MACHINE.

3F24

BRAKE SLAVE CYLINDER
HP3933 -UN-01JAN94

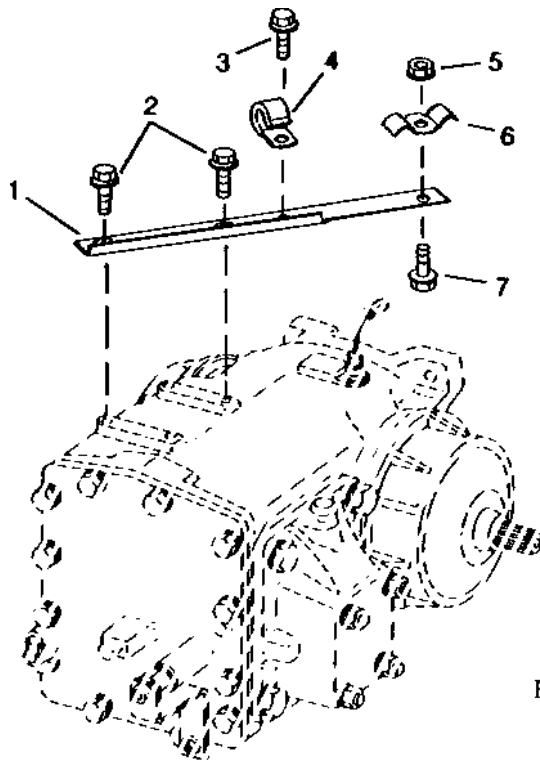


KEY	PART NO.	PART NAME	QTY	SERIAL NO.	REMARKS
1	AW12765	SCREW	2		(SUB 12M7032 AND 19H2020) (WITH LOCK WASHER)
	12M7032	LOCK WASHER	2		8.400 MM
	19H2020	CAP SCREW	2		5/16" X 1/2"
2	BOOT	2		(KIT AH131045)
3	PISTON	2		
4	SEAL	2		(KIT AH131045)
5	SPRING	1		(KIT AH131045)
6	AH131045	HYDRAULIC CYLINDER KIT	1		
7	W15277	BLEED SCREW	1		
8	H140135	LINK	2		
9	AH131048	KIT	1		R.H.
	AH131049	HYDRAULIC CYLINDER KIT	1		L.H.

3F25

BRAKE CABLE SUPPORT BRACKET

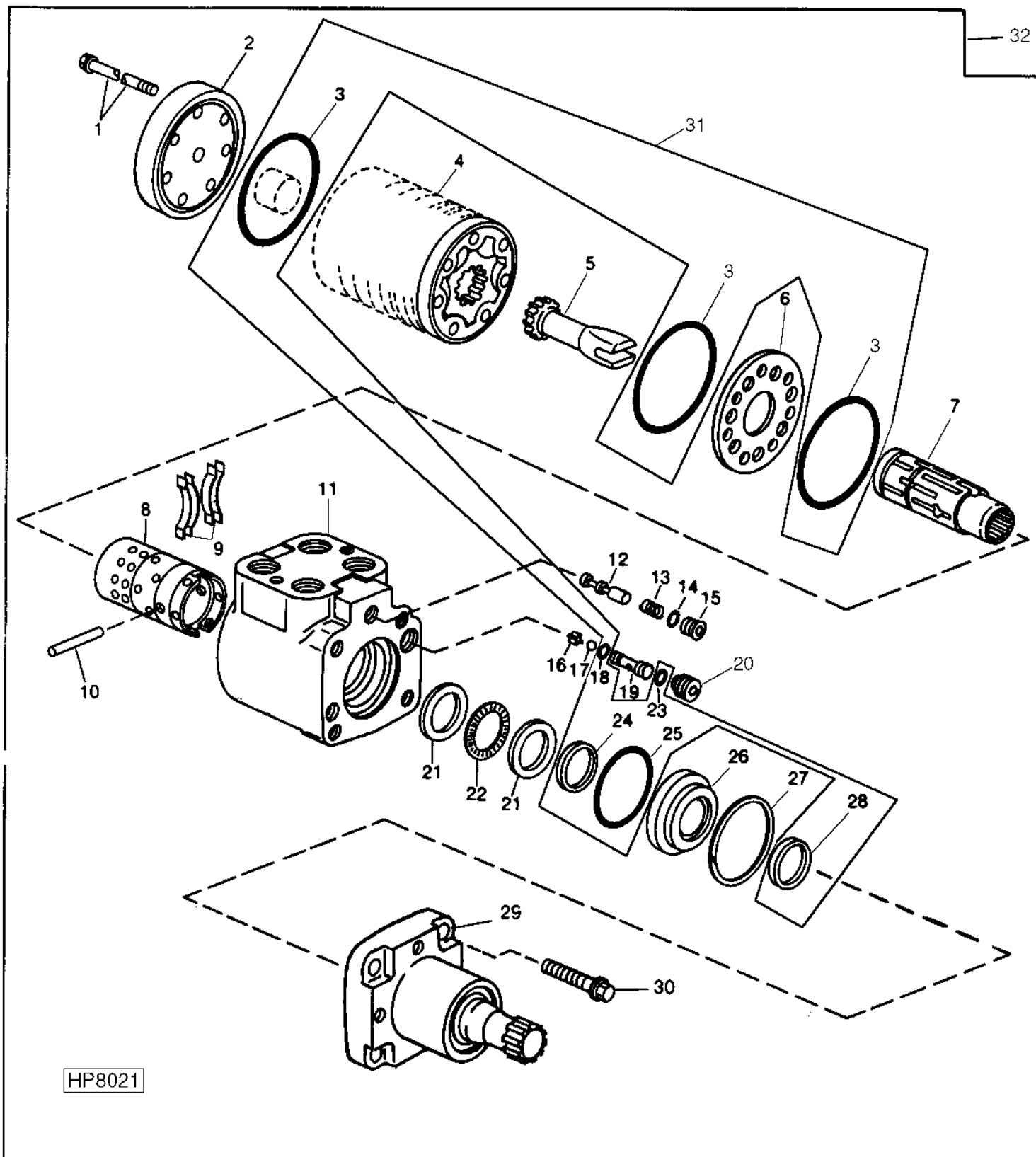
(645101-)
 HP5535 -UN-01JAN94



KEY	PART NO.	PART NAME	QTY	SERIAL NO.	REMARKS
1	H139656	SUPPORT	1	-645105	(SUB H147004)
	H147004	SUPPORT	1		
2	19M7865	SCREW	2		M8 X 16
3	37M7083	SCREW	1		M8 X 12
4	AH89557	CLIP	1		
5	14M7298	FLANGE NUT	1		M8
6	R42009	CLAMP	1		
7	19M7824	SCREW	1		M16 X 60

3G1

STEERING PUMP
HP8021 -UN-30NOV98



HP8021

3G2

STEERING AND BRAKES

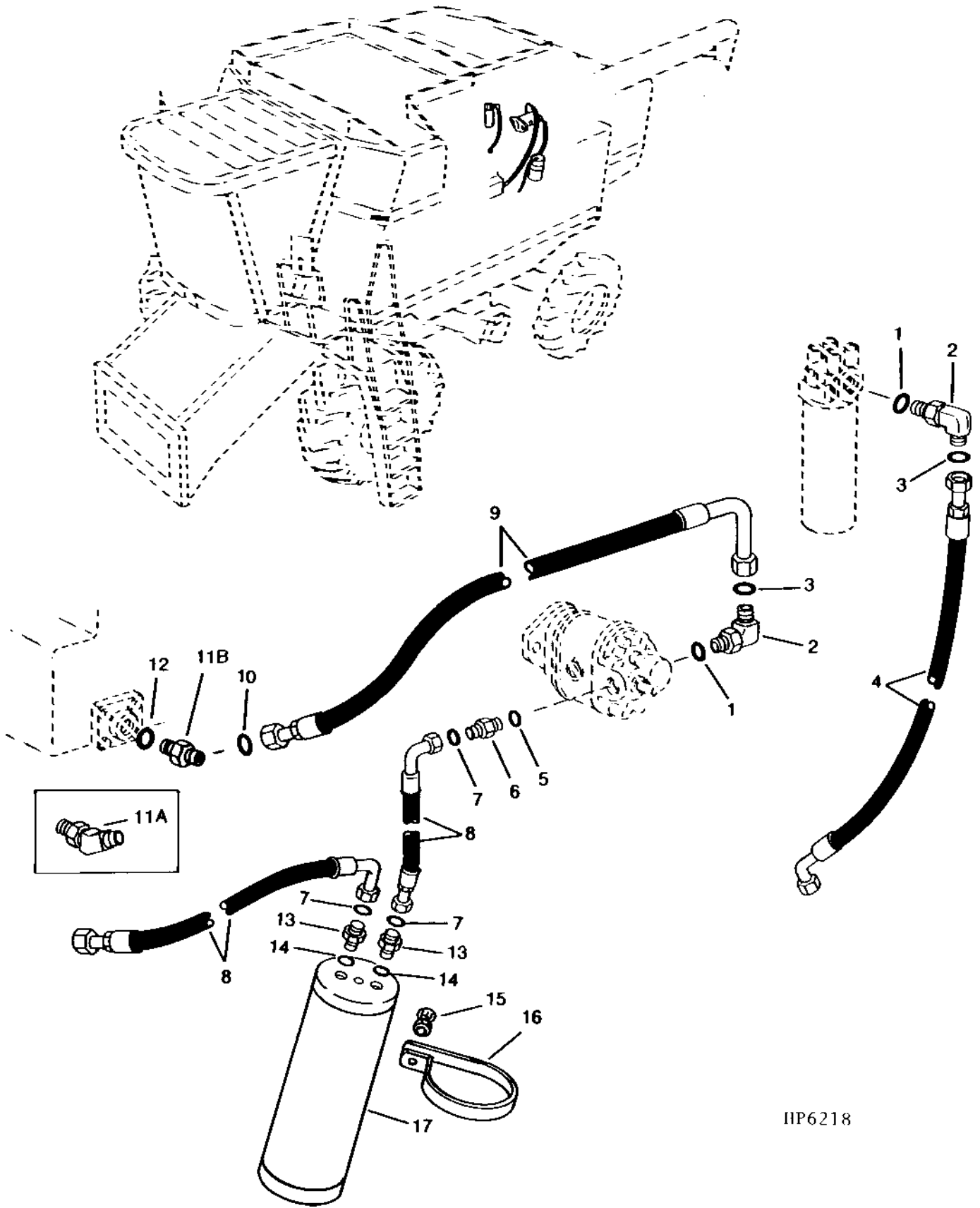
STEERING PUMP - CONTINUED

KEY	PART NO.	PART NAME	QTY	SERIAL NO.	REMARKS
1	SCREW	7		
2	CAP	1		
3	SEAL	3	(A)	
4	ROTATOR	1		
5	DRIVE	1		
6	SPACER	1		
7	SPOOL	1		
8	SLEEVE	1		
9	SPRING ASSEMBLY	1		
10	PIN	1		
11	CONTROL	1		
12	PLUNGER	1		
13	SPRING	1		
14	O-RING	1		
15	CAP	1		
16	RETAINER	1		
17	BALL CHECK	1		
18	O-RING	1	(A)	
19	VALVE SEAT	1		
20	SET SCREW	1		
21	BEARING	2		
22	NEEDLE BEARING	1		
23	O-RING	1	(A)	
24	SEAL	1	(A)	
25	SEAL	1	(A)	
26	BUSHING	1		
27	SNAP RING	1		
28	SEAL	1	(A)	
29	HOUSING	1		
30	SCREW	1		
31	AH142893	SEAL KIT	1		
32	AH142441	PUMP	1		(SUB FOR AH130126) (COMPLETE STEERING UNIT)
..	AT75941	SEAL KIT	1		(SEAL REPAIR) INCLUDES PARTS MARKED (A) (SUB AH142893)

3G3

HYDRAULIC STEERING HOSES, UPPER AND ATTENUATOR

HP6218 -UN-04JAN96



HP6218

3G4

STEERING AND BRAKES

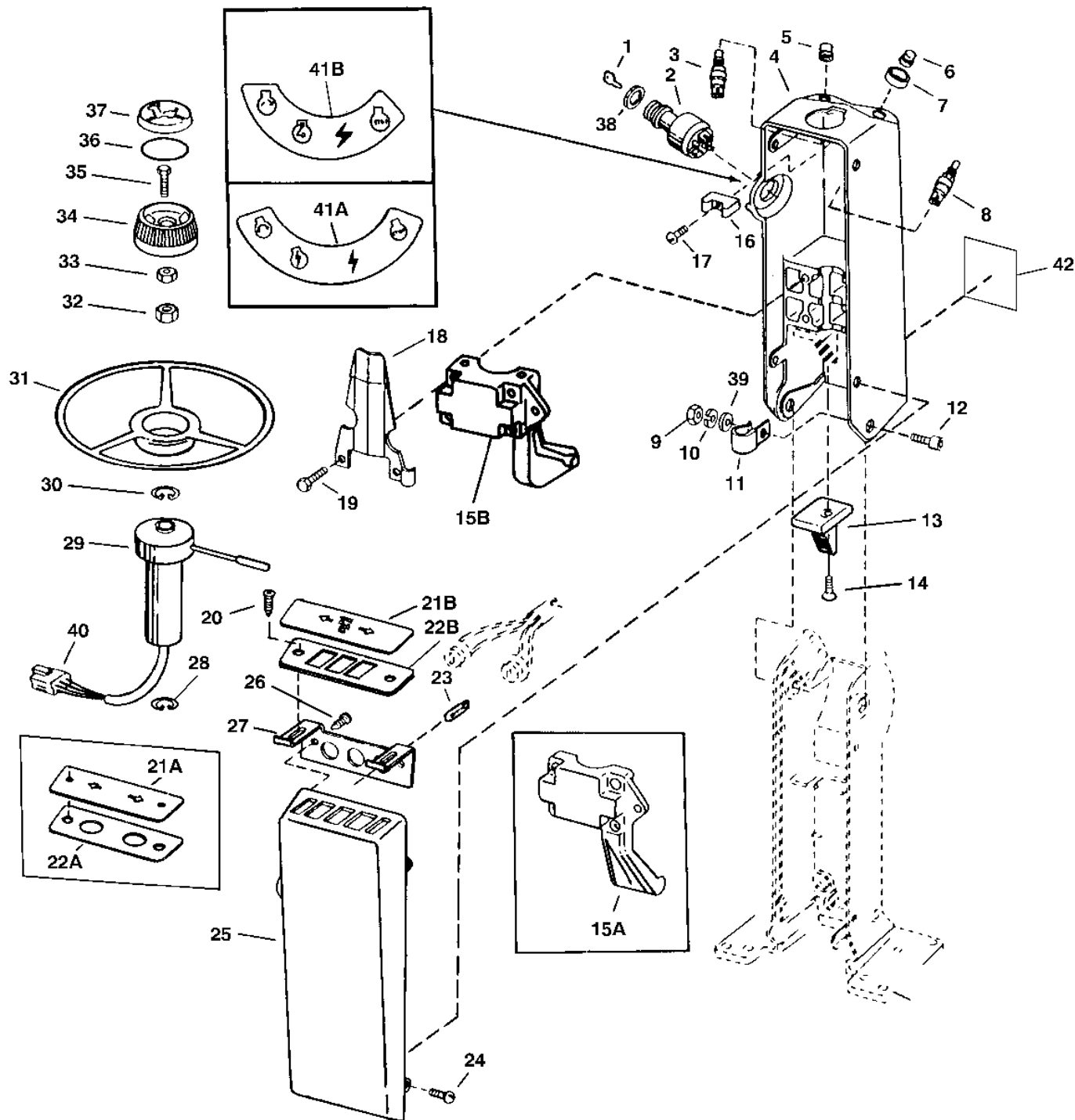
HYDRAULIC STEERING HOSES, UPPER AND ATTENUATOR - CONTINUED

KEY	PART NO.	PART NAME	QTY	SERIAL NO.	REMARKS
1	U12547	O-RING	2		
2	38H1007	ELBOW FITTING	2		
3	T77858	O-RING	2		
4	AH126254	HYDRAULIC HOSE	1		1-3/16" X 600 MM (23-1/2") X 1" (RETURN)
5	R26375	O-RING	1		
6	38H1161	ADAPTER	1		
7	T77857	O-RING	3		
8	AH133752	HYDRAULIC HOSE	2		(PRESSURE)
9	AH128744	HYDRAULIC HOSE	1	-665199	1-7/16" X 950 MM (37-1/2") X 1-3/16"
	AH147935	HYDRAULIC HOSE	1	665200-	(SUCTION)
10	T76938	O-RING	1		(SUCTION)
11A	38H1049	ELBOW FITTING	1	-665199	
11B	38H1164	ADAPTER	1	665200-	
12	R29936	O-RING	1		
13	38H1173	ADAPTER	2		
14	R26448	O-RING	2		
15	03M7267	BOLT	2	-655457	M8 X 80
	14M7298	FLANGE NUT	2		M8
	03M7223	BOLT	2	655458-	M8 X 60
16	R35794	CLAMP	2		
	H143757	HOSE CLAMP	1	670213-	
17	AR75693	ATTENUATOR	1	-670231	
	AR150551	ATTENUATOR	1	670232-670307	
	AR75693	ATTENUATOR	1	670308-	

3G5

STEERING COLUMN (UPPER)

HP6547 -UN-23AUG96



HP6547

3G6

STEERING AND BRAKES

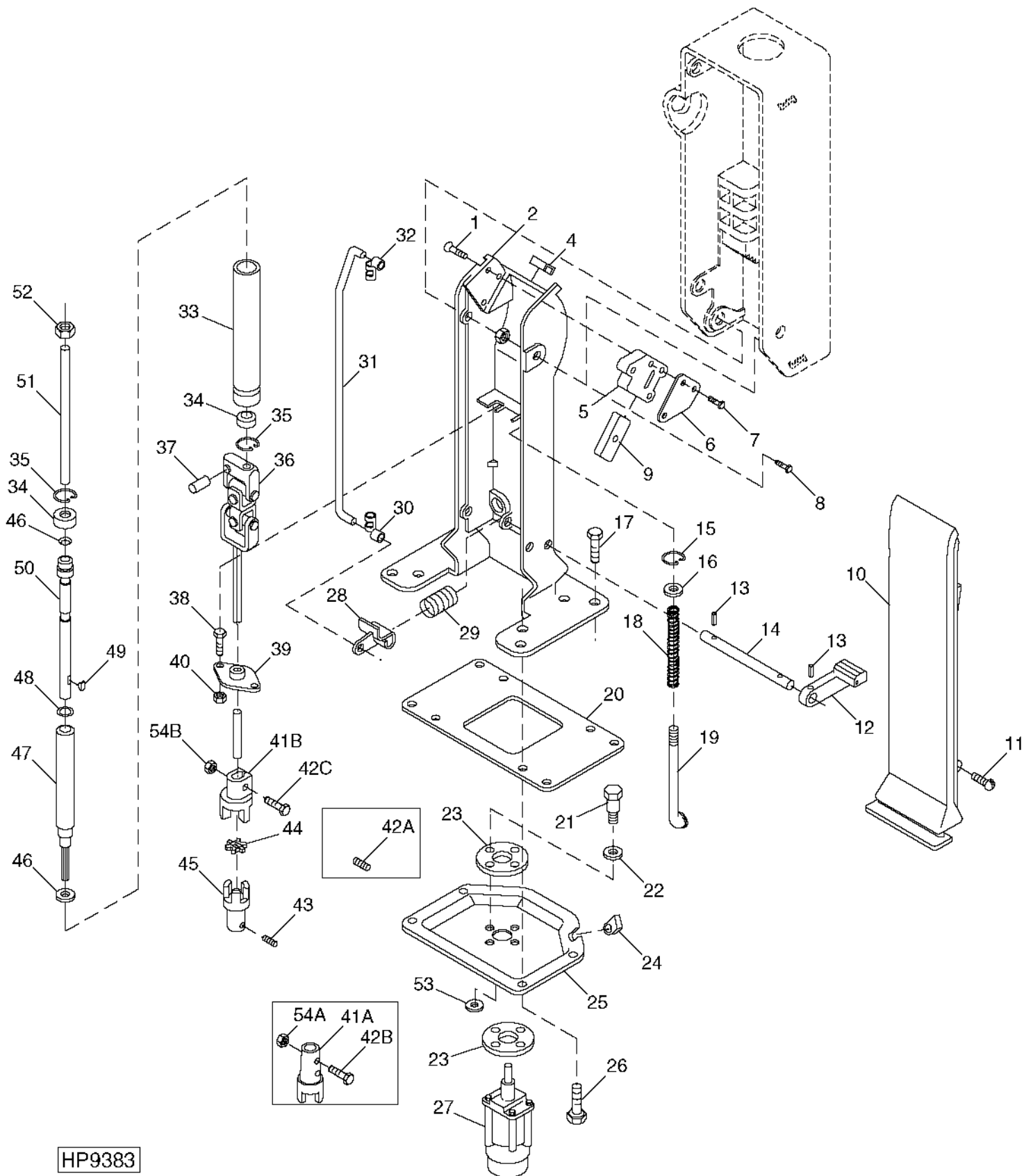
STEERING COLUMN (UPPER) - CONTINUED

KEY	PART NO.	PART NAME	QTY	SERIAL NO.	REMARKS
1	AR51481	KEY	1		
2	AH108816	SWITCH	1		KEY START SWITCH
3	R39554	SWITCH	1		HORN BUTTON
4	H113858	HOUSING	1		
5	T55501	CAP	1		
6	T55585	CAP	1		
7	H132895	GUARD	1		
8	R39554	SWITCH	1		ETHER AID START BUTTON
9	14M7274	NUT	2		
10	12M7066	LOCK WASHER	2		
11	AH89486	CLIP	1	-660377	(SUB AH96317)
	AH96317	CLIP	1		
12	H107687	SCREW	2		
13	H110812	GEAR	1		
14	H133205	SCREW	2		
15A	H113279	CLAMP	1	-660100	
15B	H150383	CLAMP	1	660101-	
16	H113863	GUIDE	1		
17	37M7071	SCREW	1		
18	AH129255	GUARD	1		(SUB FOR AH150611)
19	19M7800	SCREW	4		M8 X 50
20	H132899	SCREW	1		
21A	H134602	PANEL	1	-645259	(SUB H146392)
21B	H146392	PANEL	1		
22A	H134635	PANEL	1	-645259	(SUB H146391)
22B	H146391	PANEL	1		
23	AA27536	BULB	2		
24	H130192	SCREW	4		
25	H123873	COVER	1		
26	37H6	SCREW	2		
27	H132897	RETAINER	1		
28	R26192	SNAP RING	1		
29	AH121340	TURN SIGNAL CONTROLLER	1		TURN SIGNAL (INCLUDES T23529 SNAP RING)
30	R26192	SNAP RING	1		
31	T22875	STEERING WHEEL	1		
32	14M7257	NUT	1		M20, (SUB FOR 14M7160)
33	14M7273	NUT	1		M8
34	H108822	KNOB	1		
35	19M3135	CAP SCREW	1	-640684	M8 X 40, (SUB 19M7922)
	19M7922	CAP SCREW	1		M8 X 40
36	B3690R	O-RING	1		
37	R47998	CAP	1		
38	R44342	NUT	1		
39	24M7040	WASHER	1		
40	AH116902	CONNECTOR	1		
41A	H139427	LABEL	1	-640684	(SUB H146042) FOR IGNITION SWITCH
41B	H146042	LABEL	1		FOR IGNITION SWITCH
42	H156390	LABEL	1	6MAY96-	

3G7

STEERING COLUMN (LOWER)

HP9383 -UN-07DEC99



HP9383

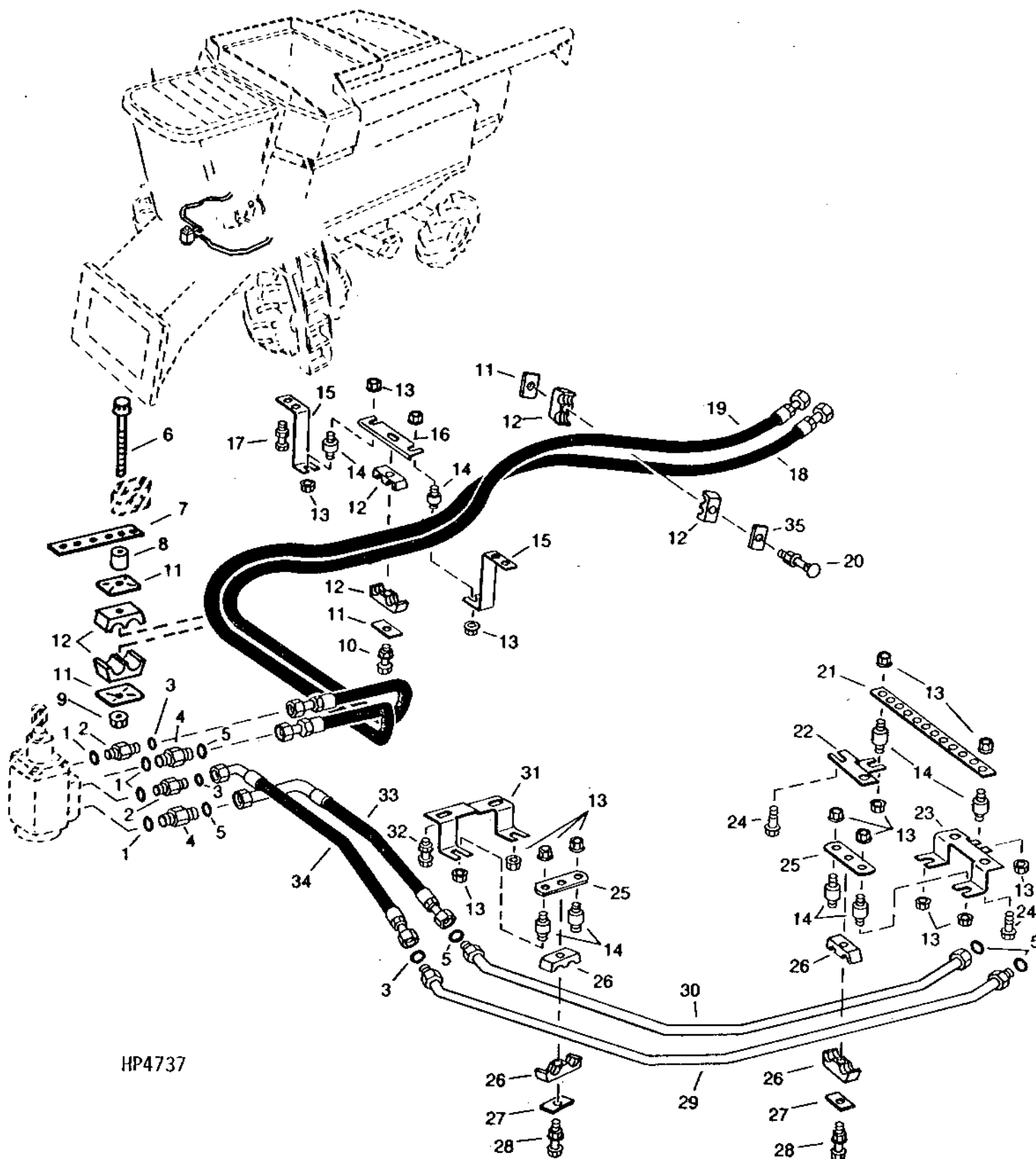
STEERING COLUMN (LOWER) - CONTINUED

KEY	PART NO.	PART NAME	QTY	SERIAL NO.	REMARKS
1	H133205	SCREW	3		
2	H123877	HOUSING	1		
3	14M7274	NUT	2	M10	
4	H107566	ISOLATOR	1		
5	H110310	HOUSING	1		
6	H110229	CRANK	1		
7	H131424	BOLT	2		
8	H107687	SCREW	2		
9	H141327	PAWL	1		(SUB FOR H109539)
10	H123872	COVER	1	-645544	(SUB H147192)
	H147192	COVER	1		
11	H130192	SCREW	4		
12	H152174	PEDAL	1		(SUB FOR H107581)
13	34M7102	SPRING PIN	2		5 X 26 MM
14	H113864	PIN	1		
15	H133106	SNAP RING	1		
16	24M7055	WASHER	1		8.400 X 16 X 1.600 MM
17	19M7800	SCREW	4		M8 X 50
18	H113404	SPRING	1		
19	H113402	ROD	1		
20	H123874	SEALANT	1		
21	H110700	BOLT	4		
22	24M7028	WASHER	4		10.500 X 20 X 2 MM
23	H134353	ISOLATOR	2		
24	H108725	GROMMET	1		
25	H123875	SUPPORT	1		
26	19M7867	SCREW	4		M8 X 25
27	AH142441	PUMP	1		(SUB FOR AH130126) STEERING PUMP
28	H107582	ARM	1		
29	H107584	SPRING	1		
30	R26501	CLIP	1		
31	H131186	ROD	1		
32	R26524	CLIP	1		
33	H107567	HOUSING	1		
34	AH97920	BALL BEARING	2		
35	H80753	SNAP RING	2		
36	AH130435	UNIVERSAL JOINT, WITH SHAFT	1	-640816	
	AH139065	UNIVERSAL JOINT, WITH SHAFT	1	640817-	
37	34M7124	SPRING PIN	1		8 X 30 MM
38	19M7866	SCREW	2		
39	AH129236	BEARING	1		
40	14M7298	FLANGE NUT	2	-645544	M8
	14M7166	LOCK NUT	2	645545-	M8
41A	H134622	COUPLING	1	-640816	
41B	H144970	COUPLING	1	640817-28APR7	
	H162056	COUPLING	1	28APR7-	
42A	22M7073	SET SCREW	2	-640100	M8 X 12
42B	19M8359	CAP SCREW	2	640101-	M8 X 45
42C	H162055	SCREW	1	28APR7-27OCT7	
	H164921	SCREW	1	27OCT7-	
43	22M7072	SET SCREW	2		M6 X 10
44	H134624	ISOLATOR	1		
45	H134623	SPLINED COUPLING	1		
46	H99294	WASHER	2		
47	AH130429	STEERING SHAFT	1		
48	H36256	O-RING	1		
49	H137667	SHAFT KEY	1		
50	H107570	STEERING SHAFT	1		
51	H107586	PIN	1		
52	14M7160	NUT	1	-640816	M20, (SUB 14M7257)
	14M7257	NUT	1		M20
53	H141946	WASHER	4		
54A	14M7166	LOCK NUT	1	640101-	M8
54B	14M7396	LOCK NUT	1	28APR7-27OCT7	M8
	H137328	NUT	1	27OCT7-2MAR98	
	14M7396	LOCK NUT	1	2MAR98-	M8

3G9

STEERING HOSES AND LINES, FRONT

HP4737 -UN-01JAN94



HP4737

3G10

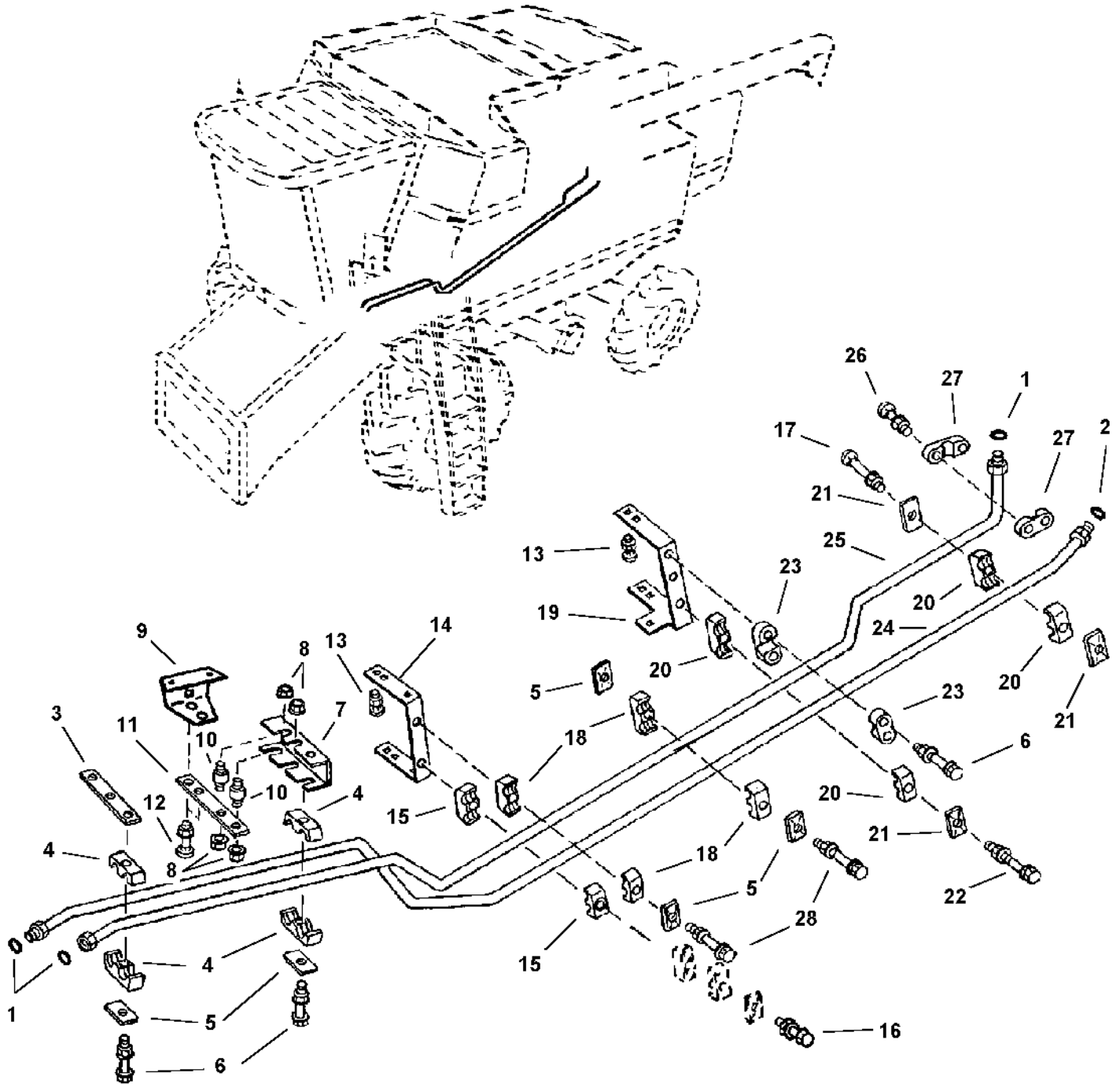
STEERING AND BRAKES

STEERING HOSES AND LINES, FRONT - CONTINUED

KEY	PART NO.	PART NAME	QTY	SERIAL NO.	REMARKS
1	R26375	O-RING	4		
2	38H1161	ADAPTER	2		
3	T77857	O-RING	3		
4	38H1317	FITTING	2		
5	T77932	O-RING	5		
6	19M8006	SCREW	1		M8 X 120
7	H134558	STRAP	1		
8	H133060	SLEEVE	1		
9	14M7298	FLANGE NUT	1		M8
10	19M7801	SCREW	1		M8 X 60
	14M7396	LOCK NUT	1		M8
11	H112567	PLATE	4		
12	H135155	CLAMP	6		
13	N10217	LOCK NUT	16		
14	AH126657	ISOLATOR	8		
15	H135608	BRACKET	2		
16	H134470	STRAP	1		ROUND HOLES
17	19M7865	SCREW	4		M8 X 16
	14M7298	FLANGE NUT	4		M8
18	AH131546	HYDRAULIC HOSE	1		(RIGHT)
19	AH131545	HYDRAULIC HOSE	1		13/16" X 1.800 MM (70-3/4") X 13/16" (LEFT)
20	03M7224	BOLT	1		M8 X 65 (RD. HEAD)
	14M7298	FLANGE NUT	1		M8
21	H134426	STRAP	1		
22	H134427	BRACKET	1		
23	H134424	BRACKET	1		
24	37M7092	SCREW	4	-640100	M8 X 16
	37M7058	SCREW	4	640101-	M8 X 20
25	H134425	STRAP	2		
26	H120847	CLAMP	4		
27	H121168	PLATE	2		
28	19M8318	SCREW	2		M8 X 45
	14M7298	FLANGE NUT	2		M8
29	AH131382	HYDRAULIC LINE	1		(RETURN)
30	AH131381	HYDRAULIC LINE	1		(PRESSURE)
31	H135619	BRACKET	1		
32	19M7865	SCREW	2		M8 X 16
	14M7298	FLANGE NUT	2		M8
33	AH133161	HYDRAULIC HOSE	1		1" X 600 MM (23-1/2") X 1" (PRESSURE) (SUB FOR AH130466)
34	AH133160	HYDRAULIC HOSE	1		13/16" X 690 MM X 13/16" (RETURN) (SUB FOR AH130212)
35	H134532	STRAP	1	-655457	(SUB 24H1347)
	24H1347	WASHER	1		13.487 X 50.800 X 4.928 MM (17/32" X 2" X 0.194")

3G11

STEERING LINES, L.H. SIDE
HP7245 -UN-07NOV97



HP7245

3G12

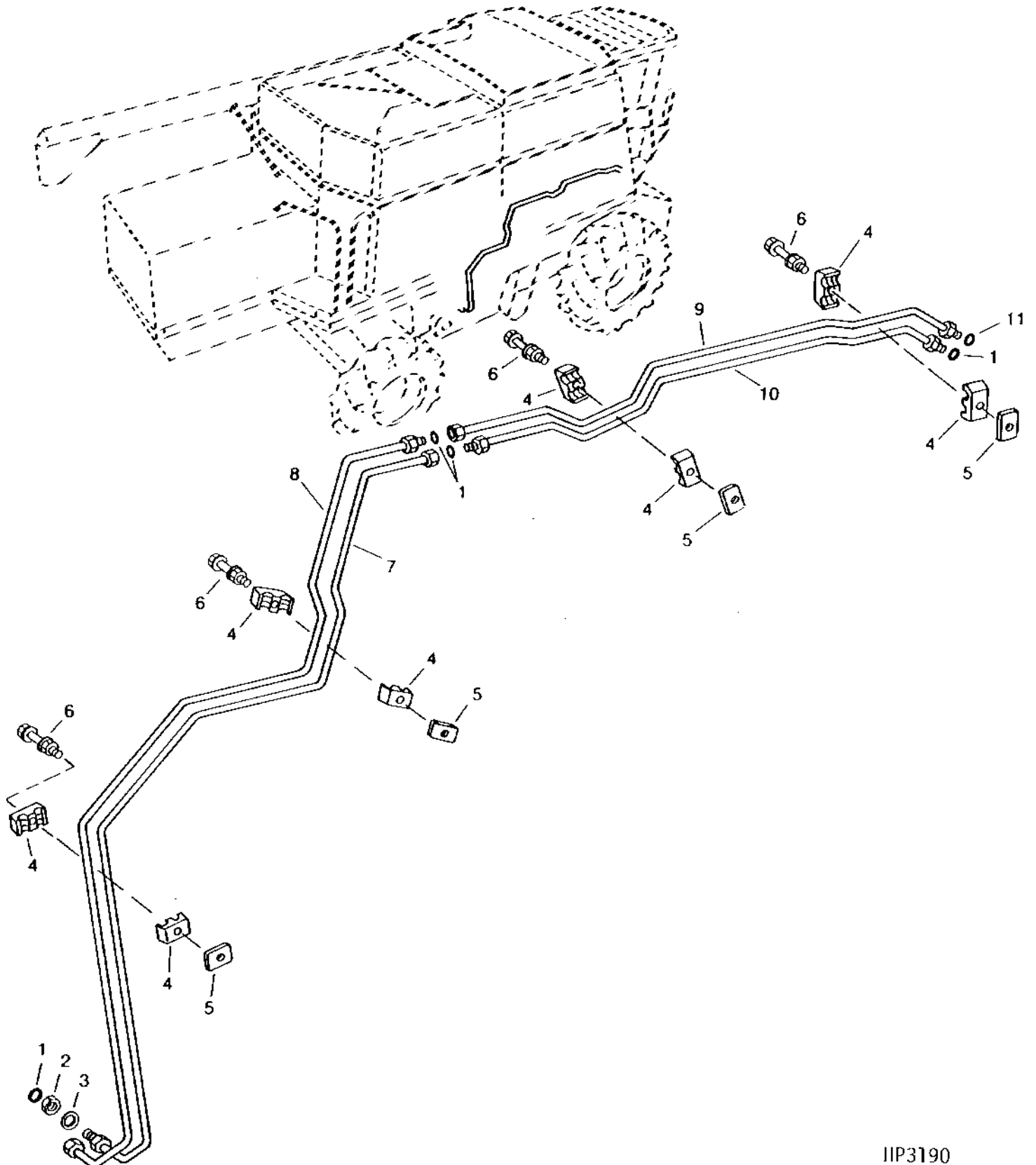
STEERING AND BRAKES

STEERING LINES, L.H. SIDE - CONTINUED

KEY	PART NO.	PART NAME	QTY	SERIAL NO.	REMARKS
1	T77932	O-RING	3		
2	T77857	O-RING	1		
3	H131163	STRAP	1	-630804	
4	H120847	CLAMP	2		
5	H121168	PLATE	4		
6	19M8318	SCREW	2	-630804	M8 X 45
	03M7189	BOLT	2	630805-	M8 X 45
	14M7298	FLANGE NUT	2		M8
7	H134428	BRACKET	1		
8	N10217	LOCK NUT	4		6.350 MM (1/4")
9	H138411	BRACKET	1		
10	AH126657	ISOLATOR	2		
11	H134434	SUPPORT	1		
12	03M7184	BOLT	2		M8 X 20 (RD. HEAD)
	14M7298	FLANGE NUT	2		M8
13	19M7866	SCREW	8		M8 X 20 (RD. HEAD)
	14M7396	LOCK NUT	8		M8
14	H131115	BRACKET	1		
15	H120847	CLAMP	2		
16	19M7913	SCREW	1		M8 X 90 (STACKING)
	14M7298	FLANGE NUT	1		M8
17	19M7801	SCREW	1	-29SEP7	M8 X 60
	19M7803	SCREW	1	29SEP7-	M8 X 70
	14M7298	FLANGE NUT	1		M8
18	H109046	CLAMP	4		
19	H133659	BRACKET	1		
20	H111730	CLAMP	4		
21	H112567	PLATE	3		
22	19M7979	SCREW	1		M8 X 55
	14M7298	FLANGE NUT	1		M8
23	H115533	CLAMP	2		
24	AH131316	HYDRAULIC LINE	1		(PRESSURE)
25	AH131302	OIL LINE	1		(RETURN)
26	03M7216	BOLT	2		M8 X 50 (RD. HEAD)
	14M7298	FLANGE NUT	2		M8
27	H115533	CLAMP	2		
28	19M8318	SCREW	2		M8 X 45
	19M8319	SCREW	2		M8 X 50
	14M7298	FLANGE NUT	2		M8

3G13

STEERING LINES, R.H. SIDE
HP3190 -UN-01JAN94



IIP3190

3G14

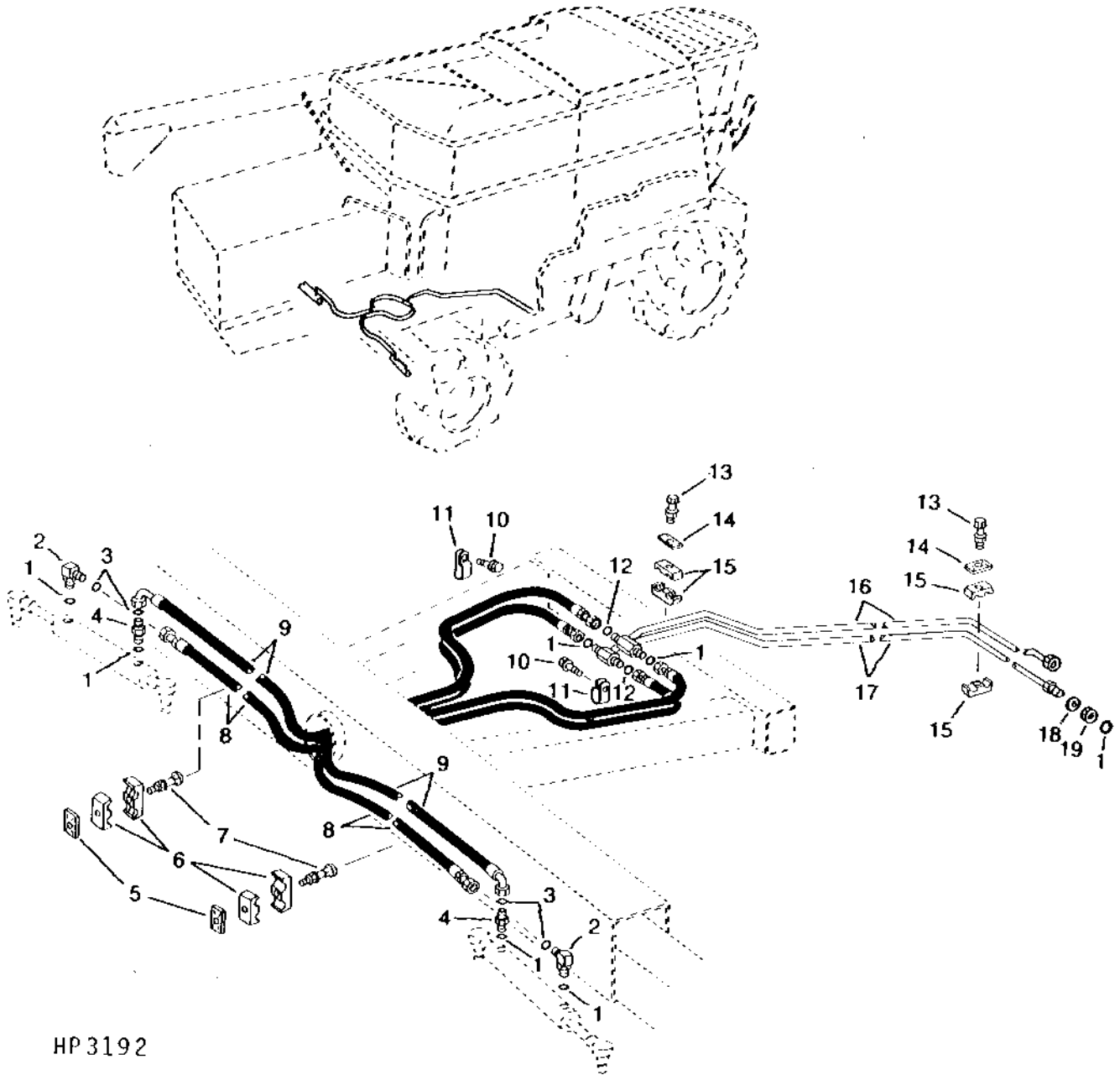
STEERING AND BRAKES

STEERING LINES, R.H. SIDE - CONTINUED

KEY	PART NO.	PART NAME	QTY	SERIAL NO.	REMARKS
1	T77613	O-RING	4		
2	T81029	NUT	1		17.475 MM, (BULKHEAD)
3	24M7114	WASHER	1		19 X 30 X 4 MM
4	H128515	CLAMP	8		
5	H121163	COVER	4		
6	03M7188	BOLT	4		M8 X 40 (RD. HEAD)
	14M7298	FLANGE NUT	4		M8
7	AH130489	HYDRAULIC LINE	1	-640816	(RIGHT)
	AH140715	HYDRAULIC LINE	1	640817-	(RIGHT)
8	AH130487	HYDRAULIC LINE	1	-640816	(LEFT)
	AH140714	HYDRAULIC LINE	1	640817-	(LEFT)
9	AH131874	OIL LINE	1		(LEFT)
10	AH131875	OIL LINE	1		(RIGHT)
11	T77857	O-RING	1		

3G15

STEERING LINES AND HOSES, REAR
(DUAL CYLINDER)
HP3192 -UN-01JAN94



HP 3192

3G16

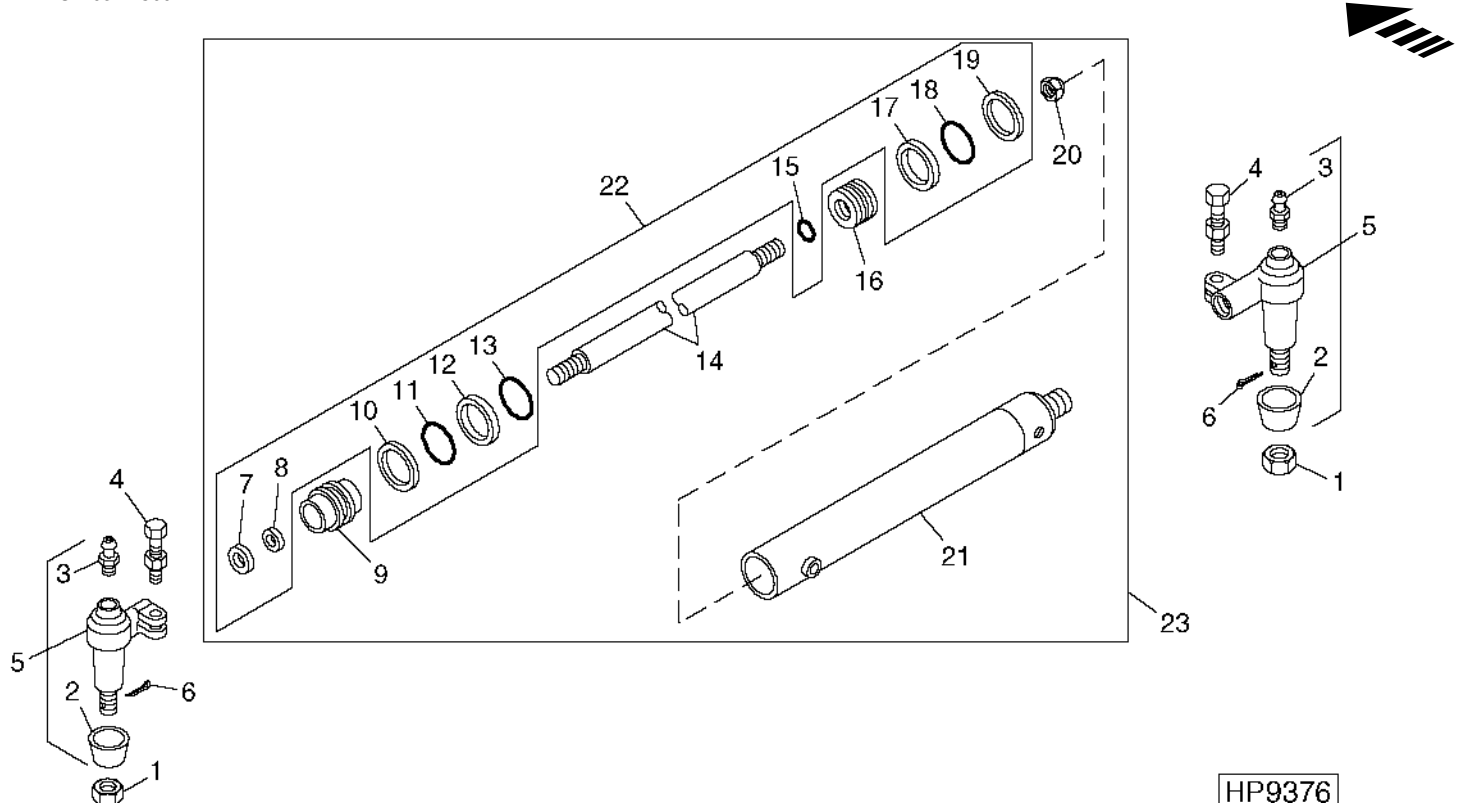
STEERING AND BRAKES

STEERING LINES AND HOSES, REAR - CONTINUED (DUAL CYLINDER)

KEY	PART NO.	PART NAME	QTY	SERIAL NO.	REMARKS
1	R26448	O-RING	4		
2	38H1004	ELBOW FITTING	2		
3	T77613	O-RING	7		
4	38H1160	ADAPTER	2		
5	H121168	PLATE	2		
6	H135156	CLAMP	4		
7	03M7280	BOLT	2	M6 X 45	
	14M7303	FLANGE NUT	2	M6	
8	AH130890	HYDRAULIC HOSE	2	9/16" X 2 452 MM (96-1/2") X 11/16"	
9	AH130119	HYDRAULIC HOSE	2		
10	37M7092	SCREW	2	M8 X 16	
11	AH97280	CLIP	2		
12	T77814	O-RING	2		
13	19M8317	SCREW	2	M8 X 40	
	14M7298	FLANGE NUT	2	M8	
14	H121163	COVER	2		
15	H128515	CLAMP	4		
16	AH120872	OIL LINE	1	(RIGHT)	
17	AH120876	OIL LINE	1	(LEFT)	
18	24M7114	WASHER	1	19 X 30 X 4 MM	
19	T81029	NUT	1	17.475 MM (11/16")	

3G17

STEERING CYLINDER
HP9376 -UN-03DEC99



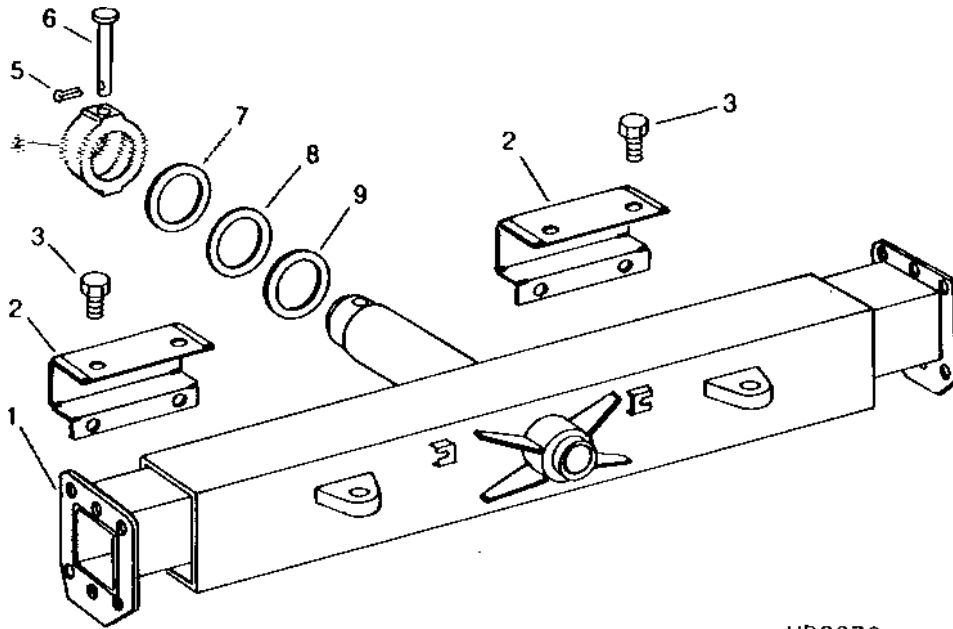
HP9376

KEY	PART NO.	PART NAME	QTY	SERIAL NO.	REMARKS
1	14H902	NUT	2	3/4"	
2	R78027	COVER	2		
3	JD7797	LUBRICATION FITTING	2		
4	19H1765	CAP SCREW	2	3/8" X 1-3/4" (USE WITH O.AND S.)	
	H99923	LOCK NUT	2	9.525 MM (3/8") (USE WITH O.AND S.)	
	19H1740	CAP SCREW	2	7/16" X 1-3/4" (USE WITH TRW)	
	H80440	LOCK NUT	2	11.125 MM (7/16") (USE WITH TRW)	
5	AH117566	TIE ROD END	2	(WITH COVER, ZERK AND CLAMP BOLT)	
6	11M7092	COTTER PIN	2	3.200 X 40 MM	
7	SEAL	1		
8	SEAL	1		
9	GUIDE	1		
10	SNAP RING	1		
11	RING	1		
12	WASHER	1		
13	O-RING	1		
14	ROD	1		
15	O-RING	1		
16	PISTON	1		
17	PISTON RING	1		
18	O-RING	1		
19	WEAR RING	1		
20	LOCK NUT	1		
21	HYDRAULIC CYLINDER BARREL	1		
22	AH101202	KIT	1		
23	AH125658	HYDRAULIC CYLINDER	1	(COMPLETE COMPONENT, LESS TIE ROD ENDS)	

NOTE: QUANTITIES SHOWN ARE FOR ONE UNIT. TWO UNITS USED PER MACHINE.

3G18

FIXED REAR AXLE
HP3373 -UN-01JAN94



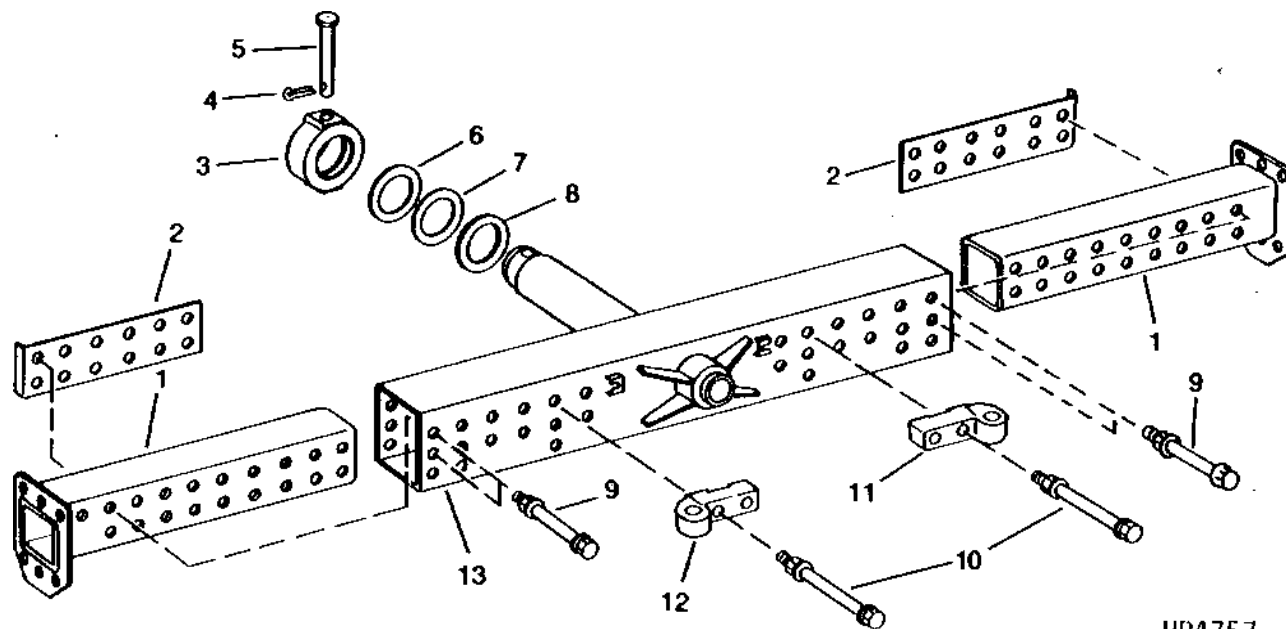
HP3373

KEY	PART NO.	PART NAME	QTY	SERIAL NO.	REMARKS
1	AH130517	AXLE	1	-640100	(SUB AH134814)
	AH134814	AXLE	1		
2	H136115	SHIELD	2		(4-WHEEL DRIVE ONLY)
3	37M7086	SCREW	8		M10 X 20 (4-WHEEL DRIVE ONLY)
4	H134547	BUSHING	1		
5	11M7028	COTTER PIN	1		5 X 32 MM
6	H142107	PIN	1		20 X 180 MM, (SUB FOR 45M7082)
7	H129709	WASHER	AR		
8	H115140	SHIM	AR		
9	H134548	WASHER	1		
..	C16071	SEALANT	1		

3G19

STEERING AND BRAKES

REAR AXLE, ADJUSTABLE
HP4757 -UN-01JAN94

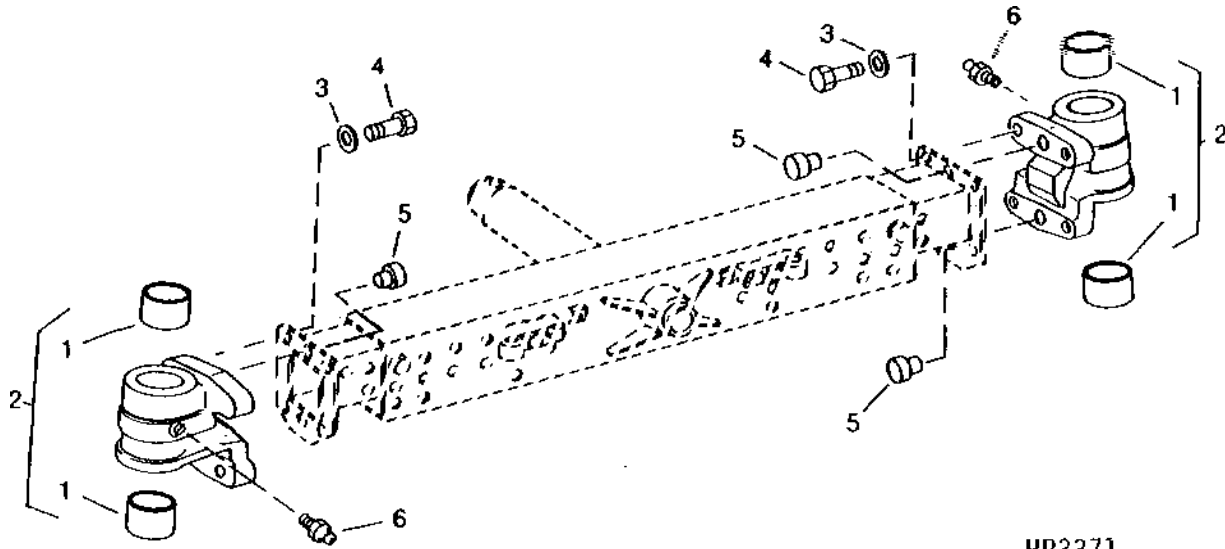


KEY	PART NO.	PART NAME	QTY	SERIAL NO.	REMARKS
1	AH127599	TUBE	2		
2	H134549	PLATE	2		
3	H134547	BUSHING	1		
4	11M7028	COTTER PIN	1		5 X 32 MM
5	H142107	PIN	1		20 X 180 MM, (SUB FOR 45M7082)
6	H129709	WASHER	AR		
7	H115140	SHIM	AR		
8	H134548	WASHER	1		
9	19M7853	SCREW	8	-665175	M20 X 150 (NON-POWERED)
	19M7921	CAP SCREW	8	665176-	M20 X 150, (NON-POWERED)
	19M7853	SCREW	4	-665175	M20 X 150 (4-WHEEL DRIVE)
	19M7921	CAP SCREW	4	665176-	M20 X 150
	24M7242	WASHER	8	665176-	21.400 X 42 X 5 MM
	H121472	BOLT	4		(4-WHEEL DRIVE) (CONVERSION)
	14M7300	FLANGE NUT	8		M20
10	19M7645	SCREW	4		M20 X 200
	14M7300	FLANGE NUT	4		M20
11	H130224	ANCHOR	1		(R.H.)
12	H130223	ANCHOR	1		(L.H.)
13	AH128864	REAR AXLE	1	-640100	(SUB AH128864)
	AH134813	REAR AXLE	1		

3G20

**REAR AXLE SPINDLE HOUSING
(FIXED AND ADJUSTABLE REAR AXLE)**

HP3371 -UN-01JAN94



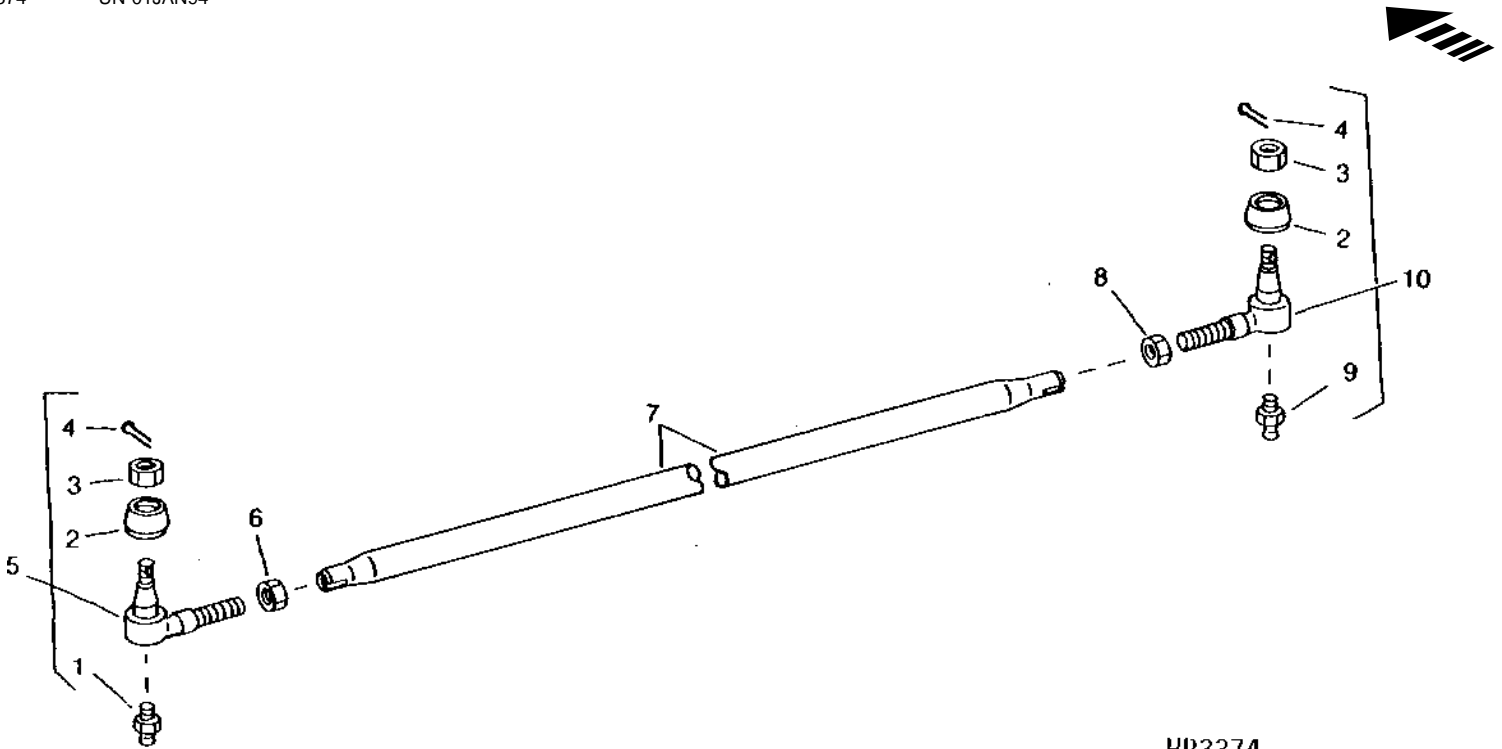
HP3371

KEY	PART NO.	PART NAME	QTY	SERIAL NO.	REMARKS
1	H94946	BUSHING	4		(SUB H158884)
	H158884	BUSHING	4		
2	AH126808	HOUSING	2		
3	H132383	WASHER	8	-635699	(SUB H144293)
	H144293	WASHER	1		
4	H86161	BOLT	8	-640816	19.050 X 57.150 MM (3/4" X 2-1/4")
	19H3126	CAP SCREW	8	640817-	3/4" X 2-1/4"
5	H75423	PIN	4		22.073 X 19.812 MM (0.869" X 0.780")
6	JD7759	LUBRICATION FITTING	2		

3G21

STEERING AND BRAKES

STEERING TIE RODS
(FIXED REAR AXLE)
(NON-POWERED)
HP3374 -UN-01JAN94

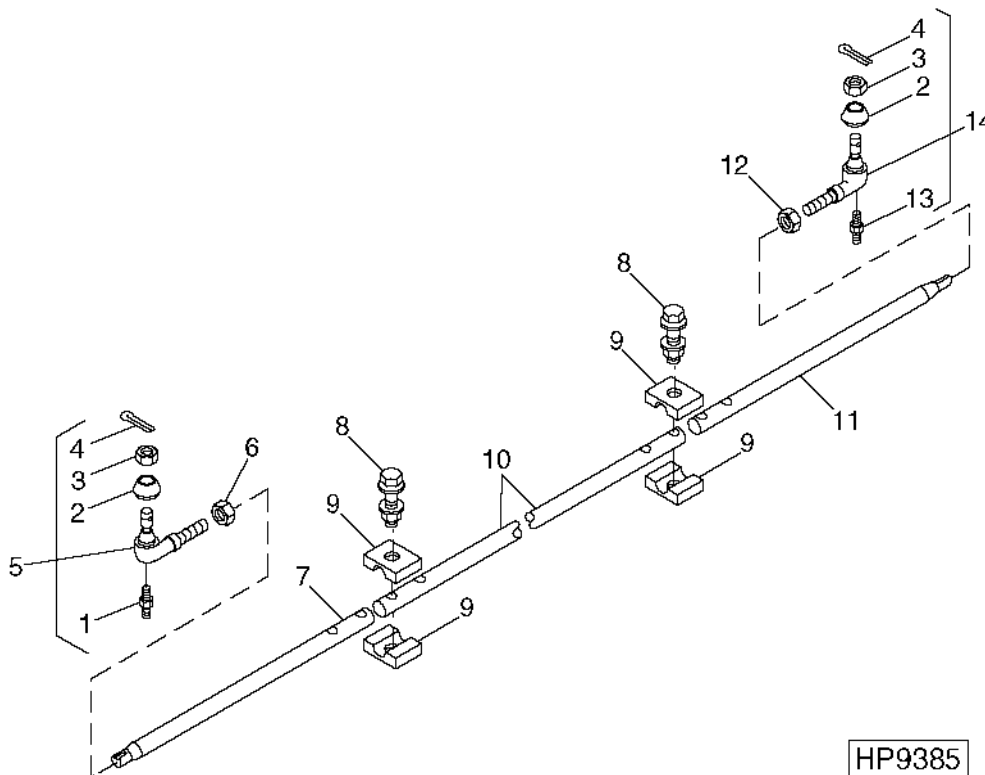


HP3374

KEY	PART NO.	PART NAME	QTY	SERIAL NO.	REMARKS
1	JD7797	LUBRICATION FITTING	1		
2	R78027	COVER	2		(TRW ONLY)
3	14H902	NUT	2		3/4"
4	11M7092	COTTER PIN	2		3.200 X 40 MM
5	RE12326	TIE ROD END	1		(L.H. THREAD)
6	R78026	NUT	1		28.575 MM (1-1/8") (L.H.)
7	H134557	TUBE	1		CAN BE REVERSED IN INSTALLATION. FIT TIE ROD END BY L.H. OR R.H. THREAD
8	R78025	LOCK NUT	1		28.575 MM (1-1/8") (R.H.)
9	JD7806	LUBRICATION FITTING	1	-640603	90° X 19.050 MM LONG (3/4" LONG) (R.H.)
	JD7788	LUBRICATION FITTING	1	640604-	
10	RE12325	TIE ROD END	1		(R.H.THREAD)

3G22

**STEERING TIE RODS
(FIXED REAR AXLE)
(4-WHEEL DRIVE)**
HP9385 -UN-03DEC99

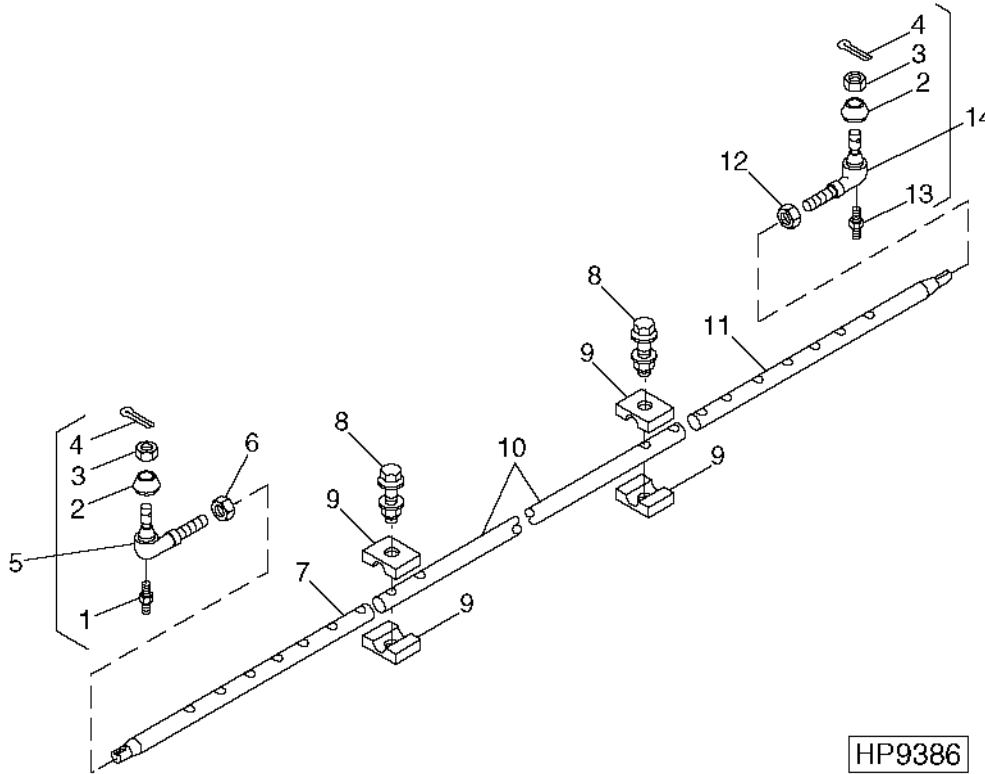


KEY	PART NO.	PART NAME	QTY	SERIAL NO.	REMARKS
1	JD7797	LUBRICATION FITTING	1		
2	R78027	COVER	2		(TRW ONLY)
3	14H902	NUT	2		3/4"
4	11M7092	COTTER PIN	2		3.200 X 40 MM
5	RE12326	TIE ROD END	1		(L.H.THREAD)
6	R78026	NUT	1		(L.H.)
7	H136335	TUBE	1		(L.H.)
8	19M7837	SCREW	4	-635103	M12 X 110, (SUB 19M7820)
	19M7820	SCREW	4		
	A31867	LOCK NUT	4	-635103	(SUB 14M7401)
	14M7401	LOCK NUT	4		M12
9	H134550	CLAMP	8	-635103	(SUB H139807)
	H139807	CLAMP	8		
10	H130225	TUBE	1	-635201	
	H140382	TUBE	1	635202-	
11	H136334	TUBE	1		(R.H.)
12	R78025	LOCK NUT	1		(R.H.)
13	JD7806	LUBRICATION FITTING	1	-640603	90° X 19.050 MM LONG (3/4" LONG)
	JD7788	LUBRICATION FITTING	1	640604-	
14	RE12325	TIE ROD END	1		(R.H.THREAD)

3G23

STEERING AND BRAKES

STEERING TIE RODS
(ADJUSTABLE REAR AXLE)
(NON-POWERED AND 4-WHEEL DRIVE)
HP9386 -UN-03DEC99

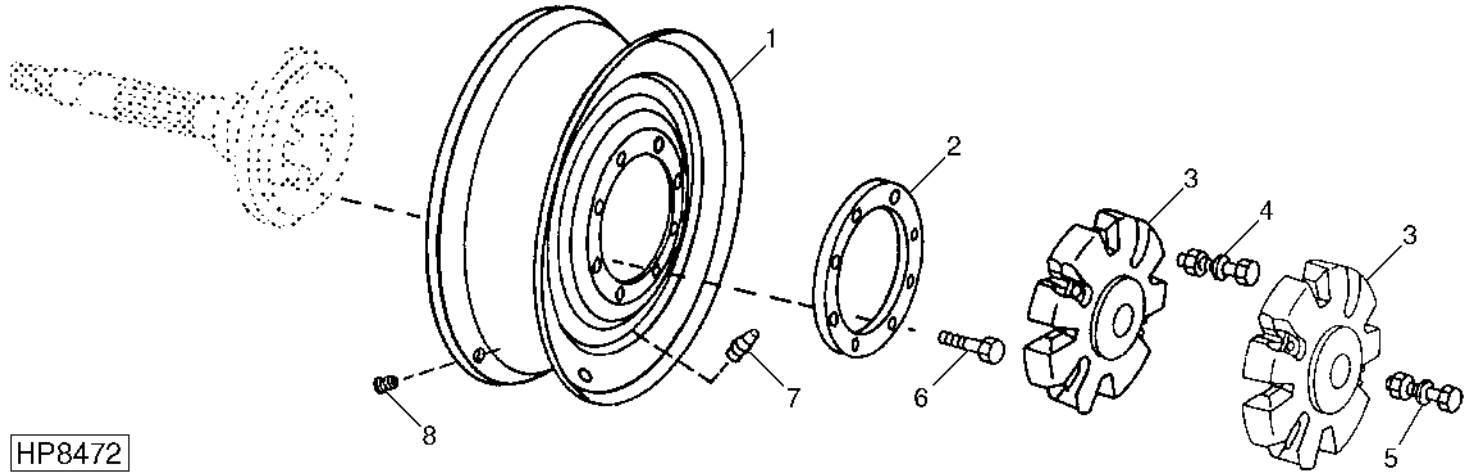


KEY	PART NO.	PART NAME	QTY	SERIAL NO.	REMARKS
1	JD7797	LUBRICATION FITTING	1		
2	R78027	COVER	2		(TRW ONLY)
3	14H902	NUT	2		3/4"
4	11M7092	COTTER PIN	2		3.200 X 40 MM
5	RE12326	TIE ROD END	1		(L.H.THREAD)
6	R78026	NUT	1		28.575 MM (1-1/8") (L.H.)
7	H130227	TUBE	1		(L.H.)
8	19M7837	SCREW	4	-635103	M12 X 110, (SUB 19M7820)
	19M7820	SCREW	4		M12 X 100
	A31867	LOCK NUT	4	-635103	M12, (SUB 14M7401)
	14M7401	LOCK NUT	4		M12
9	H134550	CLAMP	8	-635103	(SUB H139807)
	H139807	CLAMP	8		
10	H130225	TUBE	1	-635201	(CENTER)(NON-POWERED REAR AXLE) (SUB H140382)
	H140382	TUBE	1		(CENTER) (NON-POWERED REAR AXLE)
	H130226	TUBE	1	-635103	(SUB H140383) (CENTER) (4-WHEEL DRIVE REAR AXLE)
	H140383	TUBE	1		(CENTER) (4-WHEEL DRIVE REAR AXLE)
11	H130228	TUBE	1		(R.H.)
12	R78025	LOCK NUT	1		(R.H.)
13	JD7806	LUBRICATION FITTING	1	-640603	90° X 19.050 MM LONG (3/4" LONG)
	JD7788	LUBRICATION FITTING	1	640604-	
14	RE12325	TIE ROD END	1		(R.H.THREAD)

3G24

**REAR WHEELS
(4-WHEEL DRIVE / CAM LOBE MOTOR)**

HP8472 -UN-21APR99

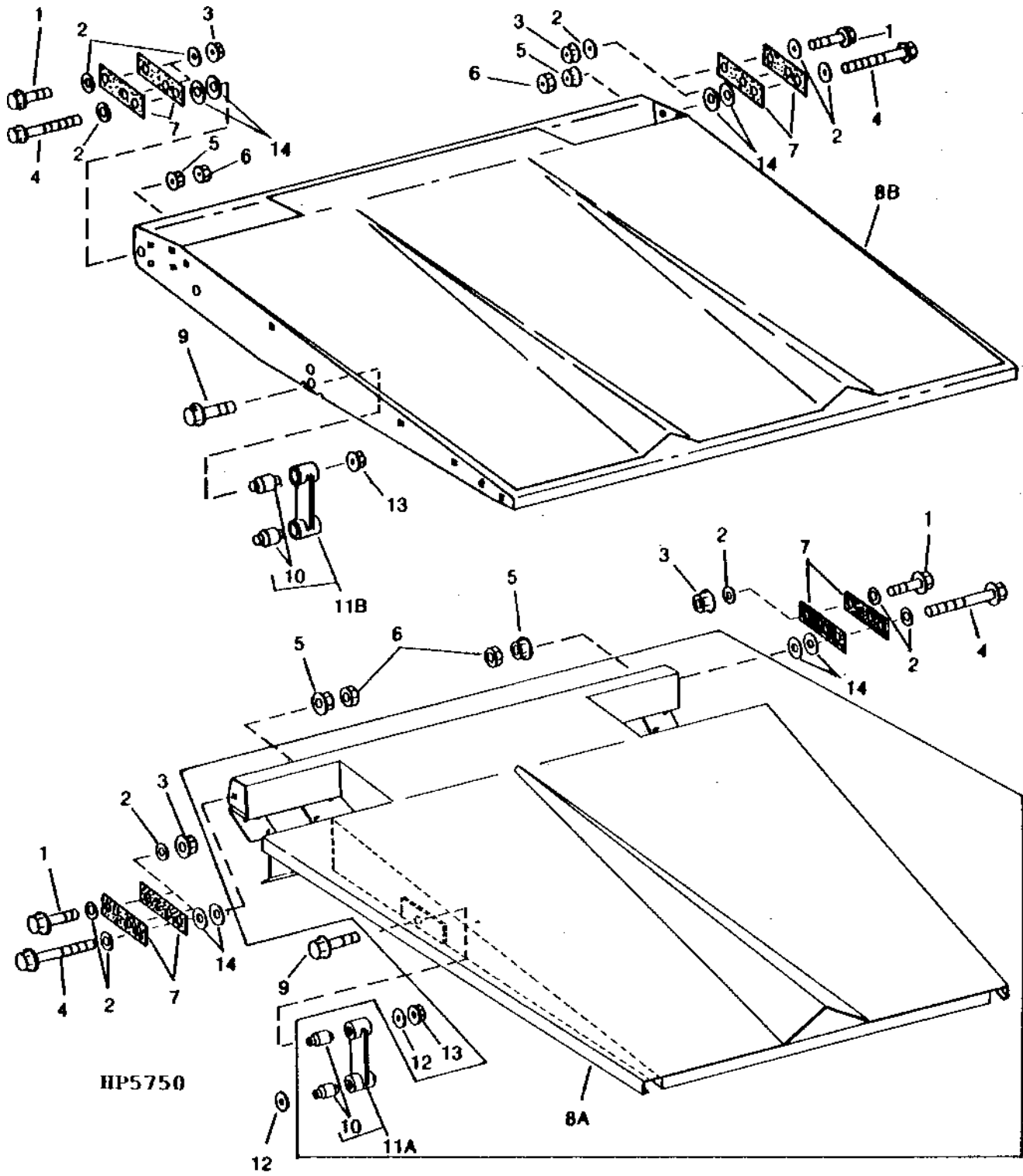


KEY	PART NO.	PART NAME	QTY	SERIAL NO.	REMARKS
1	AH64610	WHEEL	1		DEMOUNTABLE (USE WITH 18.4 X 26 TIRE) (SUB AH167582)
	AH167582	WHEEL CENTER	1		
2	H84375	RING	1		
3	H103543	WEIGHT	2		(OPTIONAL)
4	03H2075	BOLT	4		5/8" X 3"
	12H294	LOCK WASHER	4		5/8"
	14H760	NUT	4		5/8"
5	03H1858	BOLT	4		5/8" X 3-1/2"
	12H294	LOCK WASHER	4		5/8"
	14H760	NUT	4		5/8"
6	19H3343	CAP SCREW	4		5/8" X 2"
7	AT25226	TIRE VALVE STEM	1		(USE WITH TUBELESS TIRES)
8	AH86866	PLUG	1		(USE WITH TUBELESS TIRES)
..	H116641	LABEL	2	-640100	"IMPORTANT" WHEEL BOLT TORQUE
..	H145995	LABEL	2	640101-	"IMPORTANT" WHEEL BOLT TORQUE
..	H108604	LABEL	2	-635100	"IMPORTANT" 20 PSI (140 KPA) (18.4 X 26-6 PLY TIRES)
..	BH71727	COMPLETE GOODS/SHIP. BUNDLE	1		WHEEL WEIGHTS - OUTSIDE
..	BH71728	COMPLETE GOODS/SHIP. BUNDLE	1		WHEEL WEIGHTS - AUXILIARY
..	BH71735	COMPLETE GOODS/SHIP. BUNDLE	1		WHEEL WEIGHTS - OUTSIDE

NOTE: QUANTITIES SHOWN ARE FOR ONE UNIT. TWO UNITS USED PER MACHINE.

3H1

REAR AXLE TRASH SHIELD
HP5750 -UN-01JAN94



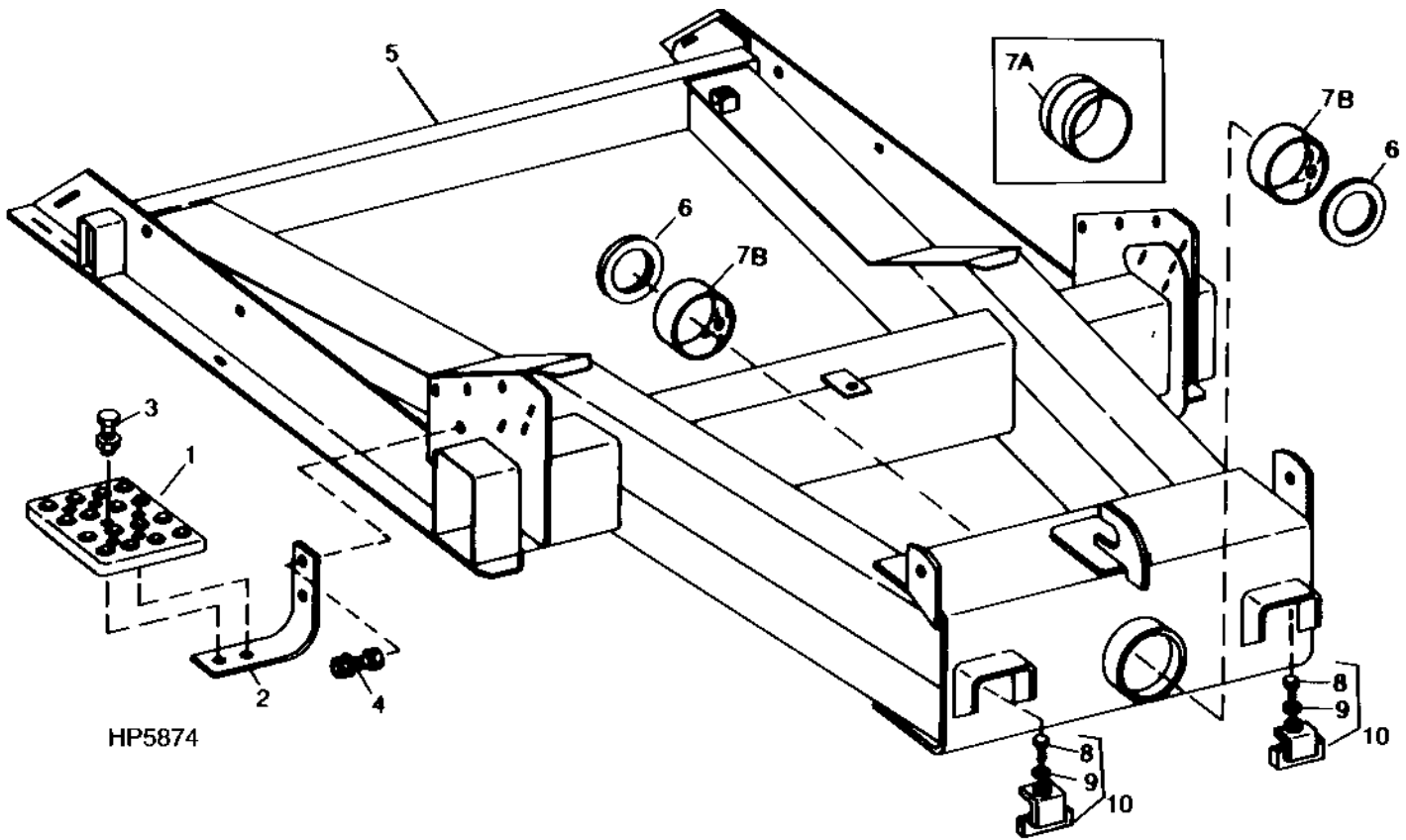
3H2

REAR AXLE TRASH SHIELD - CONTINUED

KEY	PART NO.	PART NAME	QTY	SERIAL NO.	REMARKS
1	19M7807	SCREW	4		M10 X 60
2	24M7178	WASHER	12		10.500 X 30 X 2.500 MM
3	14M7400	LOCK NUT	4		M10
4	19M7807	SCREW	2		M10 X 60
5	14M7296	FLANGE NUT	2		M10
6	14M7274	NUT	2		M10
7	H130388	STRAP	4		
8A	AH128467	FRAME	1	-645340	(SUB AH141040)
	AH141040	FRAME	1	-650100	(SUB AH137975)
8B	AH137975	FRAME	1		
9	19M7819	SCREW	4		M12 X 90
10	AH125200	BUSHING	4		
11A	AH125973	ARM	2	-645516	(SUB AH138233)
11B	AH138233	LINK	2		
12	T62323	WASHER	4		13.487 X 51.054 X 3.175 MM
13	14M7299	FLANGE NUT	4		M12
14	24M7180	WASHER	4		13 X 37 X 3 MM

3H3

REAR AXLE SUPPORT
HP5874 -UN-14OCT94



HP5874

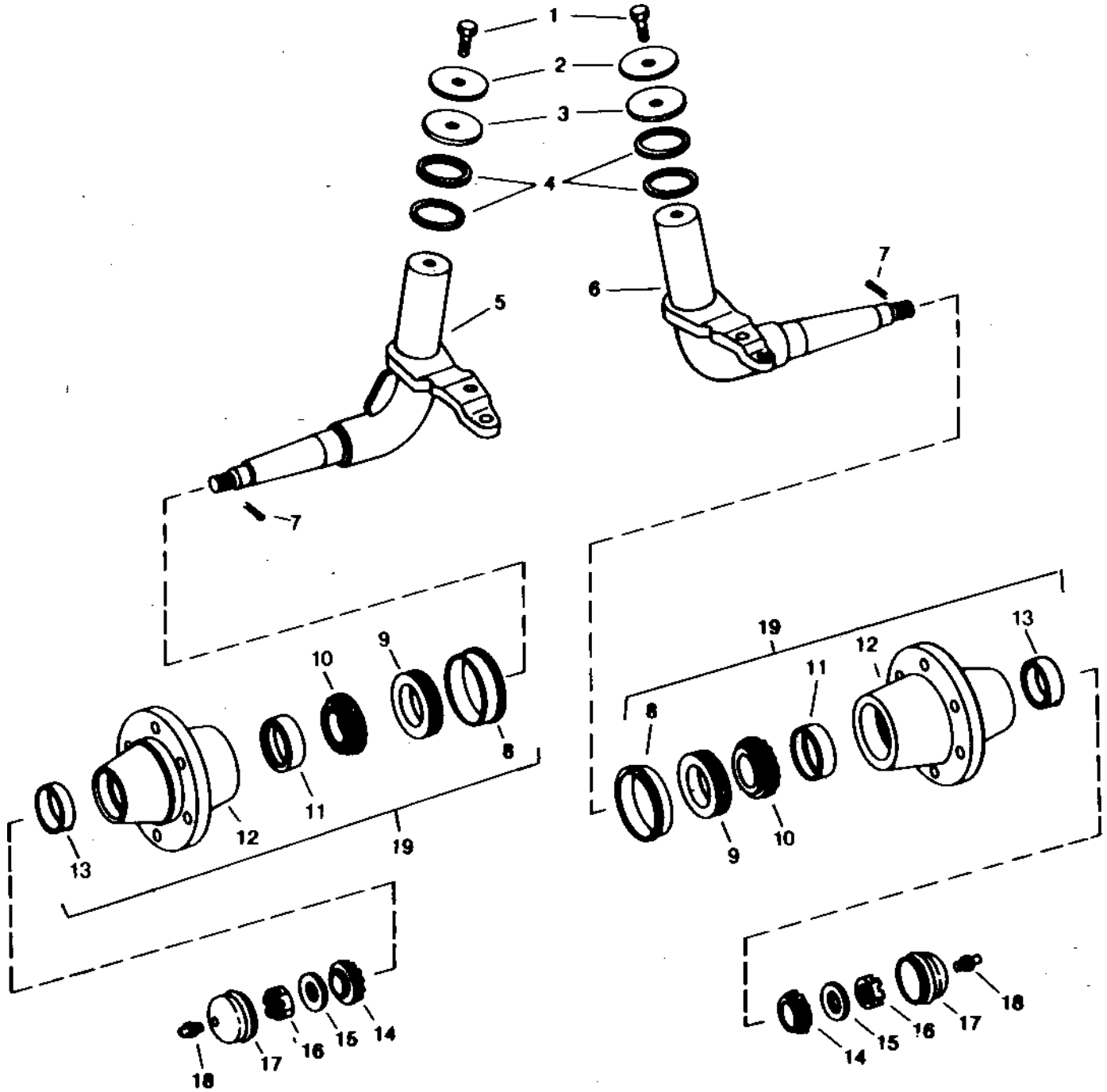
3H4

REAR AXLE SUPPORT - CONTINUED

KEY	PART NO.	PART NAME	QTY	SERIAL NO.	REMARKS
1	R84943	STEP	1		
2	H133320	BRACKET	1		
3	19M7785	SCREW	2		M10 X 25
	14M7298	FLANGE NUT	2		M8
4	19M7835	SCREW	2		M10 X 35
	14M7298	FLANGE NUT	2		M8
5	AH125226	REAR AXLE SUPPORT	1	-636052	(SUB AH137284)
	AH137284	REAR AXLE SUPPORT	1	636053-640326	(SUB AH138986) (NO LONGER SERVICE)
	AH138986	REAR AXLE SUPPORT	1		NO LONGER AVAILABLE
6	AH112284	SEAL	2		(SUB FOR AH112285)
7A	H146281	BUSHING	2		(SUB FOR (2) H114473)
7B	H138410	BUSHING	2		USE WITH WORN PIVOT ONLY (HEAT TREATED)
8	A50744	BOLT	2	-660101	M8 X 25
9	14M7273	NUT	2	-660101	M8
10	H151739	REINFORCEMENT	2		(SUB FOR AH145980)

3H5

REAR AXLE SPINDLES
(FIXED AND ADJUSTABLE REAR AXLE)
HP5915 -UN-14FEB95



HP5915

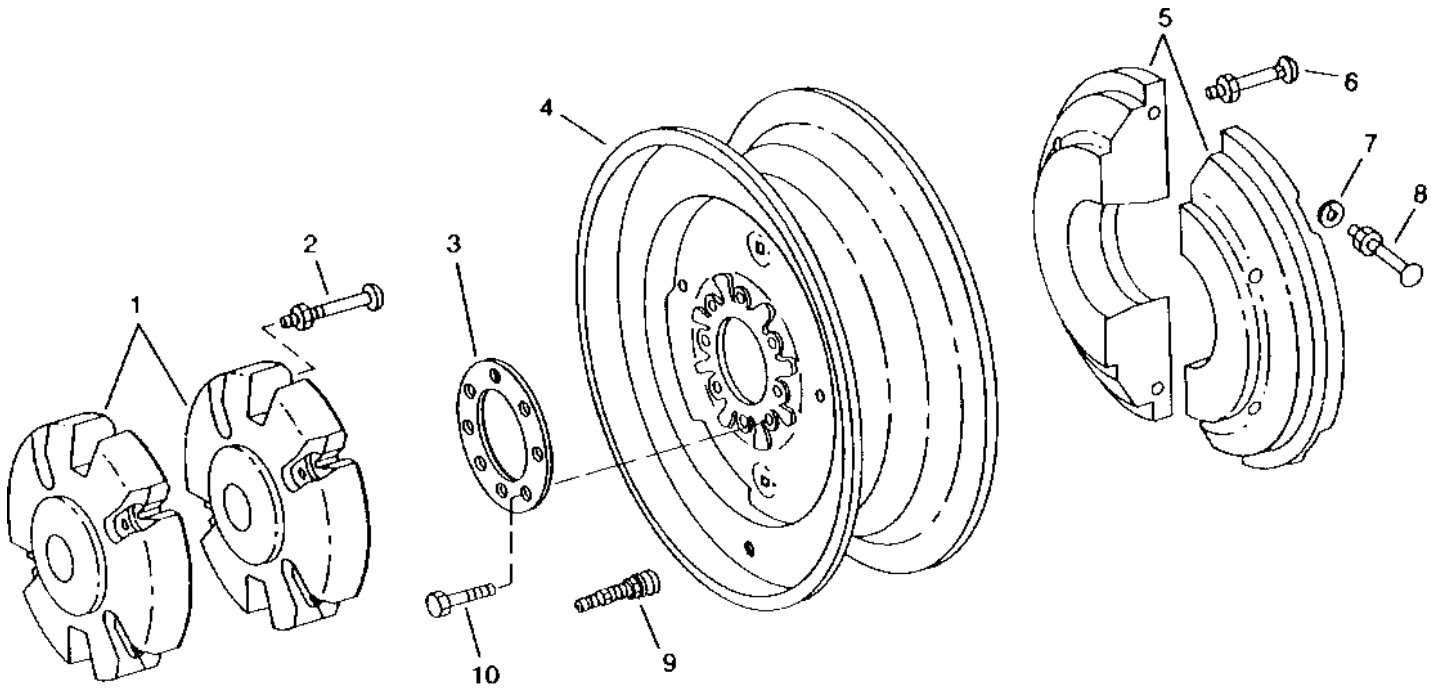
3H6

STEERING AND BRAKES

REAR AXLE SPINDLES - CONTINUED (FIXED AND ADJUSTABLE REAR AXLE)

KEY	PART NO.	PART NAME	QTY	SERIAL NO.	REMARKS
1	19H1895	CAP SCREW	2		1/2" X 3/4"
2	24H1916	WASHER	2		17/32" X 3-1/2" X 0.180"
3	H96869	CAP	2		
4	H102206	THRUST BEARING	4		
5	AH125654	SPINDLE	1		(L.H.)
6	AH125655	SPINDLE	1		(R.H.)
7	11M7030	COTTER PIN	2		5 X 40 MM
8	H94951	SLEEVE	2		
9	AH93892	SEAL	2		
10	JD8952	BEARING	2		
11	JD8258	BEARING CUP	2		
12	HUB	2		(SUB AH130871)
13	JD8237	BEARING CUP	2		
14	JD8902	BEARING CONE	2		
15	R30399	WASHER	2		
16	14H920	NUT	2		1"
17	H94950	CAP	2		
18	JD7759	LUBRICATION FITTING	2		STRAIGHT, 1/8"
19	AH130871	HUB	2		(INCLUDES H94951, JD8258 AND JD8237) (SUB AH162573)
	AH162573	HUB	2		

REAR WHEELS AND WHEEL WEIGHTS
HP3379 -UN-01JAN94



HP3379

3H8

STEERING AND BRAKES

REAR WHEELS AND WHEEL WEIGHTS - CONTINUED

KEY	PART NO.	PART NAME	QTY	SERIAL NO.	REMARKS
1	H103543	WEIGHT	AR		OUTSIDE (OPTIONAL)
2	03H1858	BOLT	4		5/8" X 3-1/2"
	12H294	LOCK WASHER	4		5/8"
	14H760	NUT	4	-640603	5/8", (SUB 14H1039)
	14H1039	NUT	4		
3	H84375	RING	1		
4	AH117662	WHEEL	1		(USE WITH 11.2X24 OR 11.0X24 TIRES)
	AH122100	WHEEL	1		(USE WITH 14.9X24 TIRES)
	AH138809	WHEEL	1		(USE WITH 18.4 X 30 TIRES)
	AH144695	WHEEL	1		(SUB AH167584) (USE WITH 28L X 26 TIRES)
	AH167584	WHEEL	1		
	AH167434	WHEEL	1		(SUB FOR AH135217) (USE WITH 16.9 X 26 X 10 TIRES)
5	H95547	WEIGHT	2		INSIDE (OPTIONAL)
6	03H1605	BOLT	4		5/8" X 4" (WITH INSIDE WEIGHTS)
	03H1860	BOLT	4		5/8" X 6" (WITH INSIDE AND OUTSIDE WEIGHTS)
	12H294	LOCK WASHER	4		5/8"
	14H1039	NUT	4		5/8"
7	24H1111	WASHER	2		17/32" X 1-1/16" X 0.090"
8	03H1852	BOLT	2		1/2" X 4"
	12H301	LOCK WASHER	2		1/2"
	14H809	NUT	2	-650348	1/2", (SUB 14H1040)
	14H1040	NUT	2		1/2"
9	AT25226	TIRE VALVE STEM	1		(USE WITH TUBELESS TIRES)
10	19H3343	CAP SCREW	4		5/8" X 2"
	H163491	CAP SCREW	4	4AUG97-	5/8" X 2.244", (USE WITH 16.9 X 26 WHEEL)
..	H116641	LABEL	2	-640100	"IMPORTANT" WHEEL BOLT TORQUE, (SUB H145995)
..	H145995	LABEL	2		"IMPORTANT" WHEEL BOLT TORQUE
..	H150646	DECAL	2	660101-	"IMPORTANT" 15 PSI (103 PKA) (28L X 26-10 OR 12 PLY TIRE)
..	H174266	LABEL	2	660101-	(SUB FOR H151575) "IMPORTANT" ON AXLE STOP (28L X 26-10 OR 12 PLY TIRE)
..	H111541	LABEL	2		"IMPORTANT" 40 PSI (275 KPA) (11.0 X 24-8 PLY TIRES)
..	H127073	LABEL	2		(FRENCH) "IMPORTANT" 40 PSI (275 KPA) (11.0 X 24-8 PLY TIRES)
..	H140709	LABEL	2		"IMPORTANT" 26 PSI (180 KPA) (14.9 X 24 - 6 PLY TIRES)
..	H141593	LABEL	2	-670100	"IMPORTANT" 46 PSI (317 KPA) (11.2 X 24 - 8 PLY TIRES) NO LONGER AVAILABLE
..	H140749	LABEL	2		(FRENCH) "IMPORTANT" 26 PSI (180 KPA) (14.9 X 24-6 PLY TIRES)
..	H108604	LABEL	2		"IMPORTANT" 20 PSI (140 KPA) (18.4 X 26-6 PLY TIRES) AND (18.4 X 30-6 PLY TIRES)
..	H127067	LABEL	2		(FRENCH) "IMPORTANT" 20 PSI (140 KPA) (18.4 X 26-6 PLY TIRES)
..	H127070	LABEL	2		
..	H153728	LABEL	2	662368-	TIRE CLEARANCE (18.4 X 30 R2 TIRES ONLY)
..	H140710	LABEL	2		TIRE PRESSURE (16.9 X 26 X 10 TIRES) 34 PSI

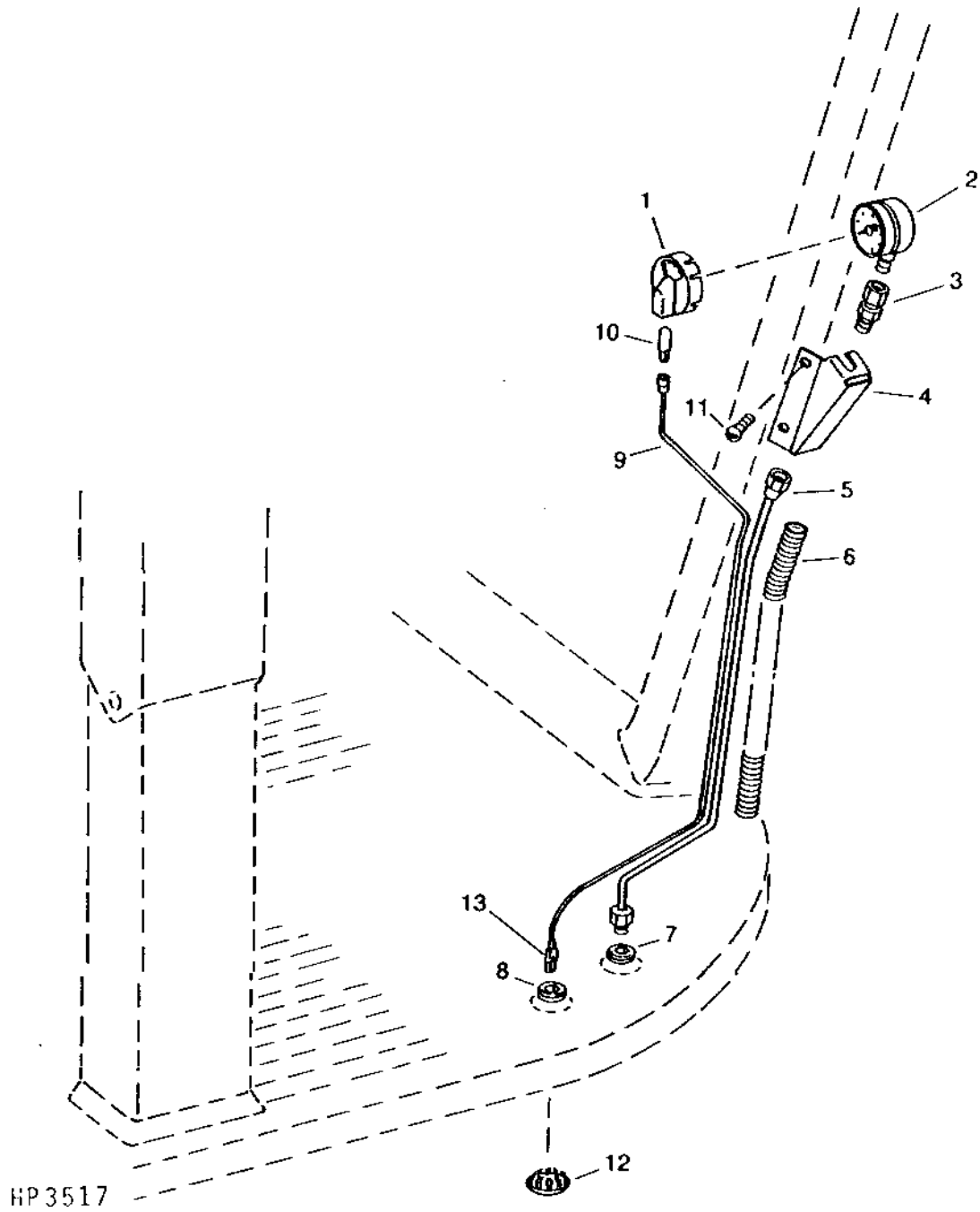
NOTE: QUANTITIES SHOWN ARE FOR ONE UNIT. TWO UNITS USED PER MACHINE.

MEMORANDA

MEMORANDA

4B15

ACCUMULATOR PRESSURE GAUGE AND WIRING HARNESS
HP3517 -UN-01JAN94



4B16

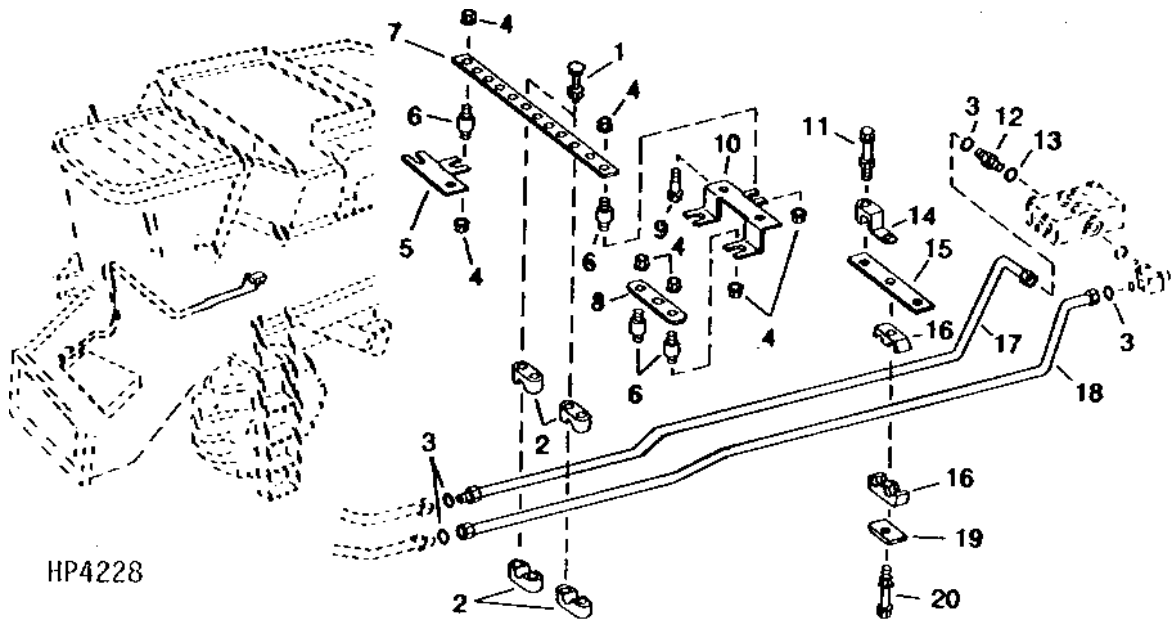
HYDRAULICS

ACCUMULATOR PRESSURE GAUGE AND WIRING HARNESS - CONTINUED

KEY	PART NO.	PART NAME	QTY	SERIAL NO.	REMARKS
1	H111378	COVER	1		
2	AH108080	PRESSURE GAUGE	1		
3	AB18206	ADAPTER	1		(WITH JAM NUT)
4	AH132832	BRACKET	1		
5	AH132027	OIL LINE	1		
6	H137523	CONDUIT	1		
7	T65643	GROMMET	1		
8	T63817	GROMMET	1		
9	AH134205	WIRING LEAD	1		
10	AH108380	BULB	1		
11	H165691	SCREW	2		M6 X 20, (SUB FOR H131591 OR H168780)
12	R32239	PLUG	2		USE WITHOUT ACCUM. GAUGE
13	RE12363	CONNECTOR	1		(PKG OF 3)
	R78048	TERMINAL NIPPLE	1		(PKG OF 5)

4B17

REEL DRIVE HYDRAULIC LINES AND HOSES, L.H. SIDE
HP4228 -UN-01JAN94



4B18

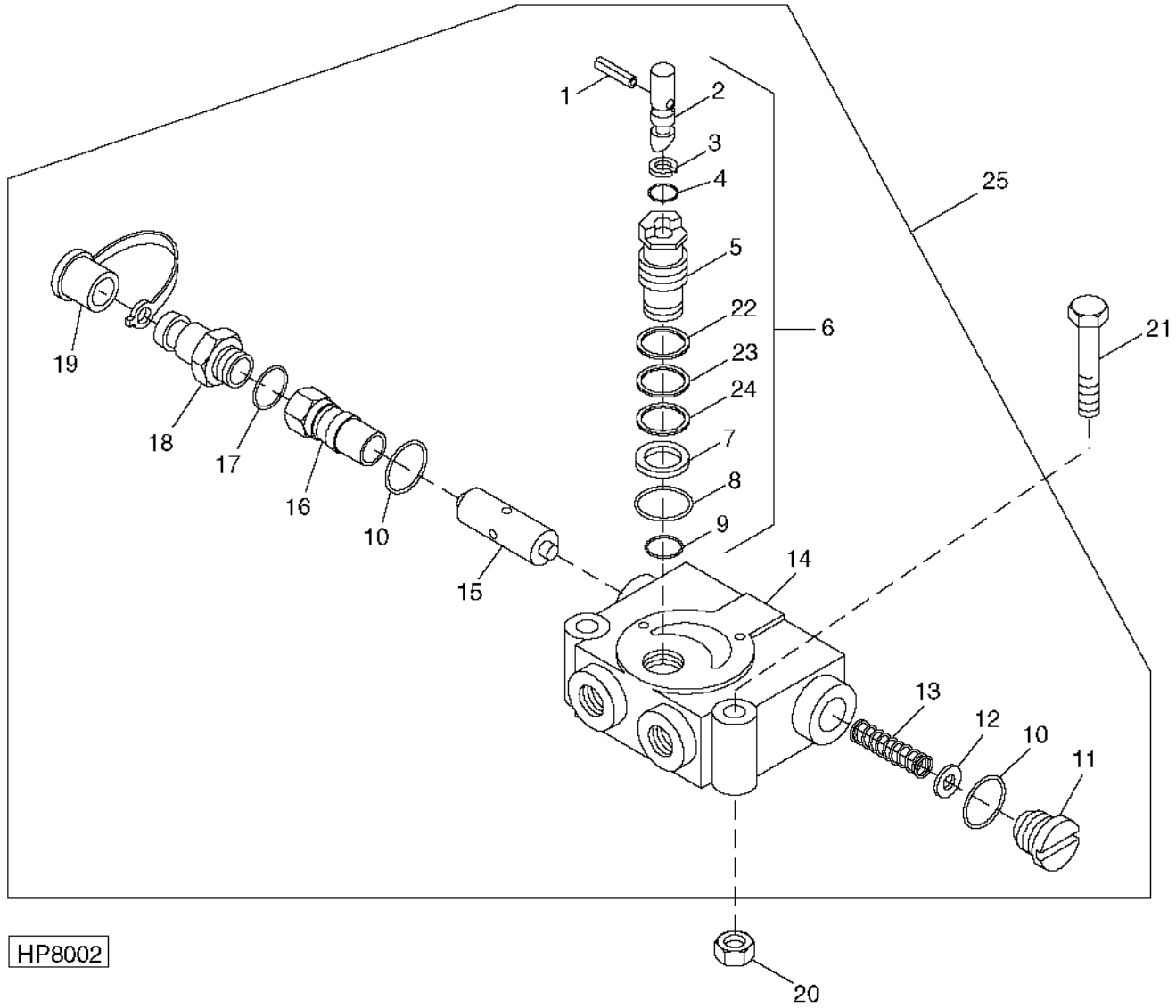
HYDRAULICS

REEL DRIVE HYDRAULIC LINES AND HOSES, L.H. SIDE - CONTINUED

KEY	PART NO.	PART NAME	QTY	SERIAL NO.	REMARKS
1	37M7102	SCREW	4	-630804	
	03M7189	BOLT	4	630805-	M8 X 45
	14M7298	FLANGE NUT	4	630805-	M8
2	H115533	CLAMP	4		
3	T77932	O-RING	4		
4	N10217	LOCK NUT	8		6.350 MM (1/4")
5	H134427	BRACKET	1		
6	AH126657	ISOLATOR	4		
7	H134426	STRAP	1	-630804	
	H140298	STRAP	1	630805-	
8	H134425	STRAP	1		
9	37M7092	SCREW	4	-640100	M8 X 16
10	37M7058	SCREW	4	640101-	M8 X 20
	H134424	BRACKET	1	-630804	ROUND HOLES
	H140298	STRAP	1	630805-	SQUARE HOLES
11	19M7801	SCREW	1		M8 X 60
	14M7298	FLANGE NUT	1		M8
12	38H1162	ADAPTER	1		
13	R26906	O-RING	1		
14	H112162	CLAMP	1		
15	H131163	STRAP	1	-635797	
16	H109046	CLAMP	2	-635797	
17	AH130209	HYDRAULIC LINE	1		(PRESSURE)
18	AH131317	HYDRAULIC LINE	1		(RETURN)
19	H121168	PLATE	1	-635797	
20	19M8318	SCREW	1	-635797	M8 X 45
	14M7298	FLANGE NUT	1	-635797	M8

4B19

REEL DRIVE FLOW CONTROL VALVE
HP8002 -UN-02MAR99



4B20

HYDRAULICS

REEL DRIVE FLOW CONTROL VALVE - CONTINUED

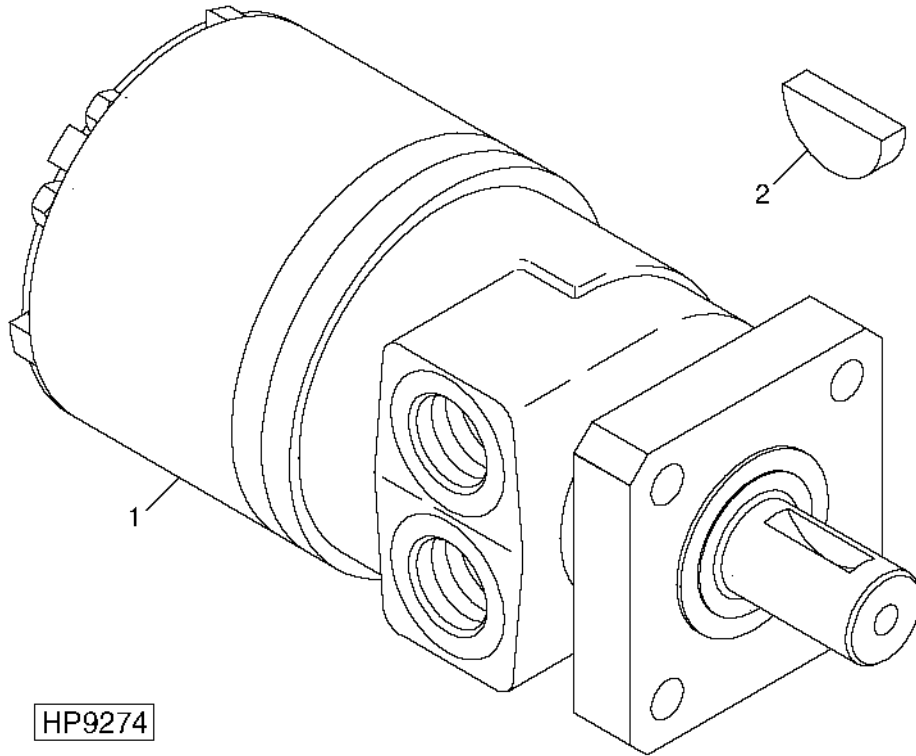
KEY	PART NO.	PART NAME	QTY	SERIAL NO.	REMARKS
1	GROOVE PIN	1		
2	STEM	1		
3	BACK-UP RING	1	(A)	
4	O-RING	1	(A)	
5	PLUG	1		
6	AH140903	KIT	1	(SUB FOR AH129323 OR AH136203)	
7	BACK-UP RING	1	(A)	
8	O-RING	1	(A)	
9	O-RING	1	(A)	
10	H63289	O-RING	2	(A) 20.295 X 2.616 MM	
11	PLUG	1		
12	SHIM	1		
13	SPRING	1		
14	HOUSING	1		
15	SPOOL	1		
16	PLUG	1		
17	R26448	O-RING	1	(A) 11.887 X 1.981 MM	
18	AH125760	HYD. QUICK-CONNECT COUPLER	1	DIAGNOSTIC	
19	R77175	COVER	1		
20	14M7298	FLANGE NUT	2	M8	
21	19M7801	SCREW	2	M8 X 60	
22	SHIM	AR		
23	SHIM	AR		
24	SHIM	AR		
25	AH140902	CHECK VALVE	1	(SUB FOR AH130180 OR AH136202)	
..	AH136248	SEAL KIT	1	(SUB FOR AH81167) INCLUDES PARTS MARKED (A)	

4B21

HYDRAULICS

CHAFF SPREADER MOTOR

(655929-)
HP9274 -UN-16NOV99



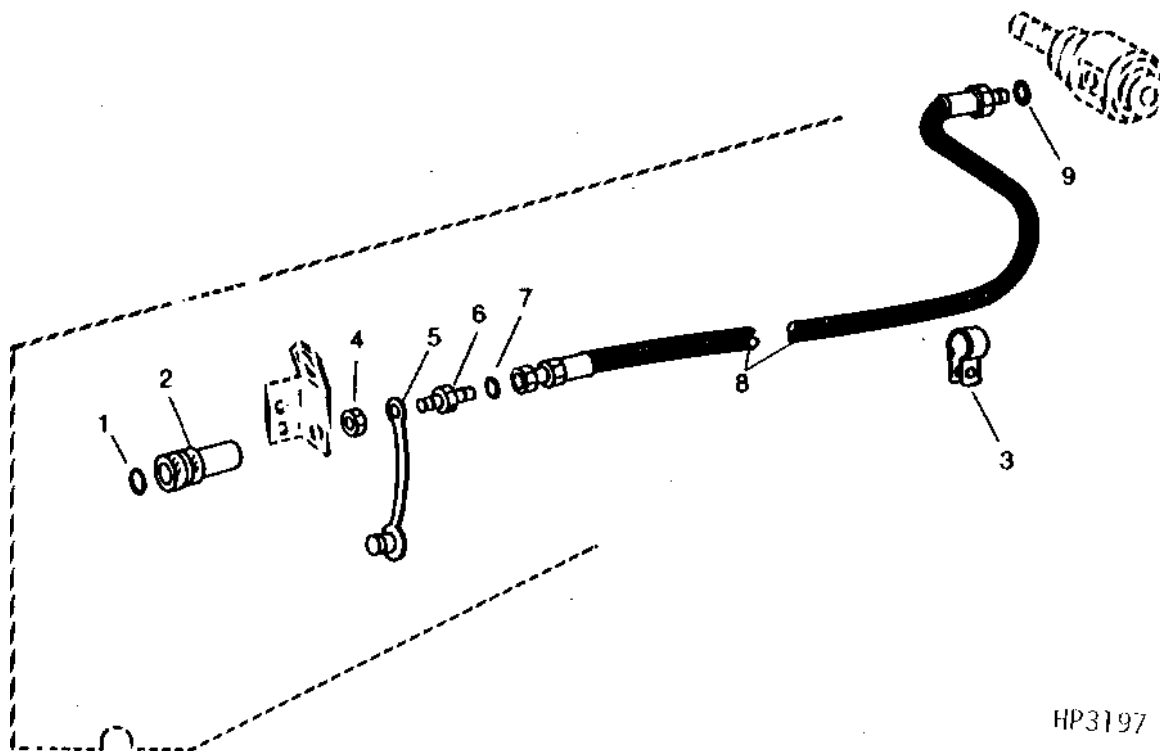
KEY	PART NO.	PART NAME	QTY	SERIAL NO.	REMARKS
1	AH141858	MOTOR	1	(SUB FOR AH127887)	
2	26H22	SHAFT KEY	1		
..	AH131089	SEAL KIT	1	USE WITH TRW ROSS MOTOR AH127887	
..	AH144831	SEAL KIT	1	USE WITH EATON MOTOR AH141858	

4B22

HYDRAULICS

**FEEDER HOUSE VARIABLE DRIVE HYDRAULIC HOSE
200 SERIES CUTTING PLATFORM HYDRAULIC CONVERSION KIT**

HP3197 -UN-01JAN94



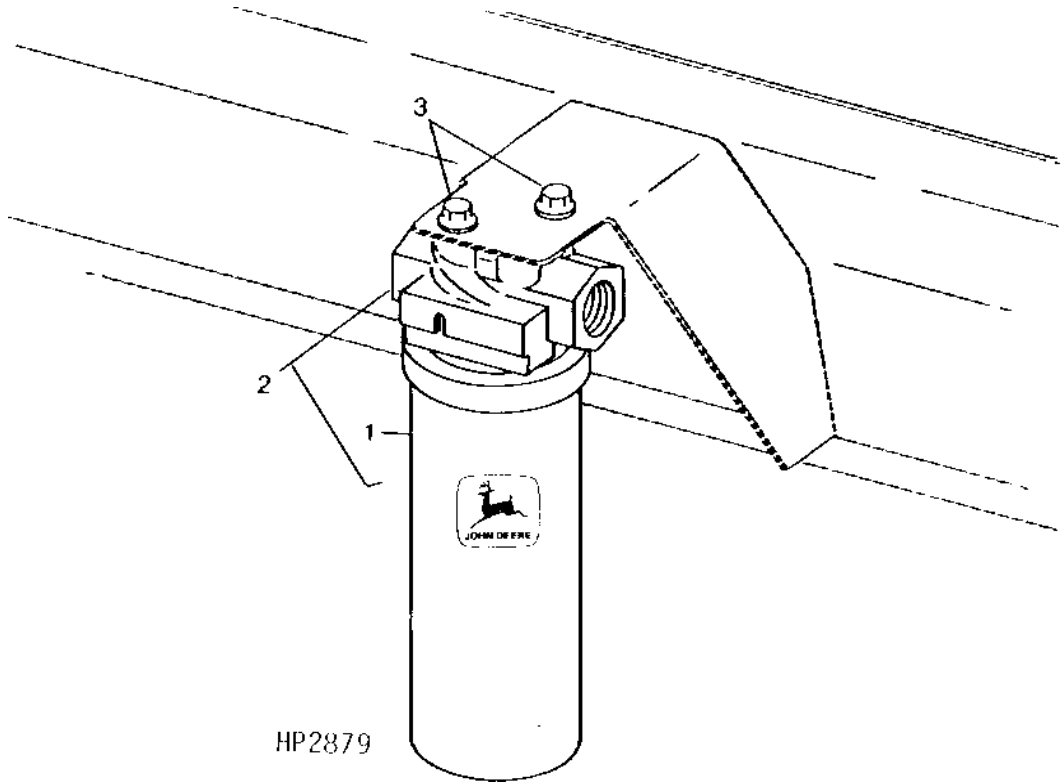
HP3197

KEY	PART NO.	PART NAME	QTY	SERIAL NO.	REMARKS
1	R26375	O-RING	1		
2	AH75167	HYD. QUICK-CONNECT COUPLER	1		(INCLUDES INTERNAL O-RING)
3	AH78125	CLIP	1	-16FEB8	(USE EXISTING HARDWARE)
	T27523	CLAMP	2	16FEB8-	
4	T81029	NUT	1		17.475 MM (11/16")
5	H125403	PLUG	1		
6	AH121643	ORIFICE	1		
7	T77613	O-RING	1		
8	AH131332	HYDRAULIC HOSE	1	-16FEB8	1/4" ID X 900 MM (35-1/2")
	AH156388	HYDRAULIC HOSE - FABRICATE	1	16FEB8-	6.35MM ID X 1115MM LONG X 7/16-20
9	R28782	O-RING	1		
..	BH79019	COMPLETE GOODS/SHIP. BUNDLE	1		HEADER CONVERSION KIT (1984-1987)
..	BH81390	COMPLETE GOODS/SHIP. BUNDLE	1		RETROFIT BUNDLE, NARROW FEEDER HOUSE

4B23

HYDRAULICS

MAIN HYDRAULIC FILTER ASSEMBLY
HP2879 -UN-01JAN94



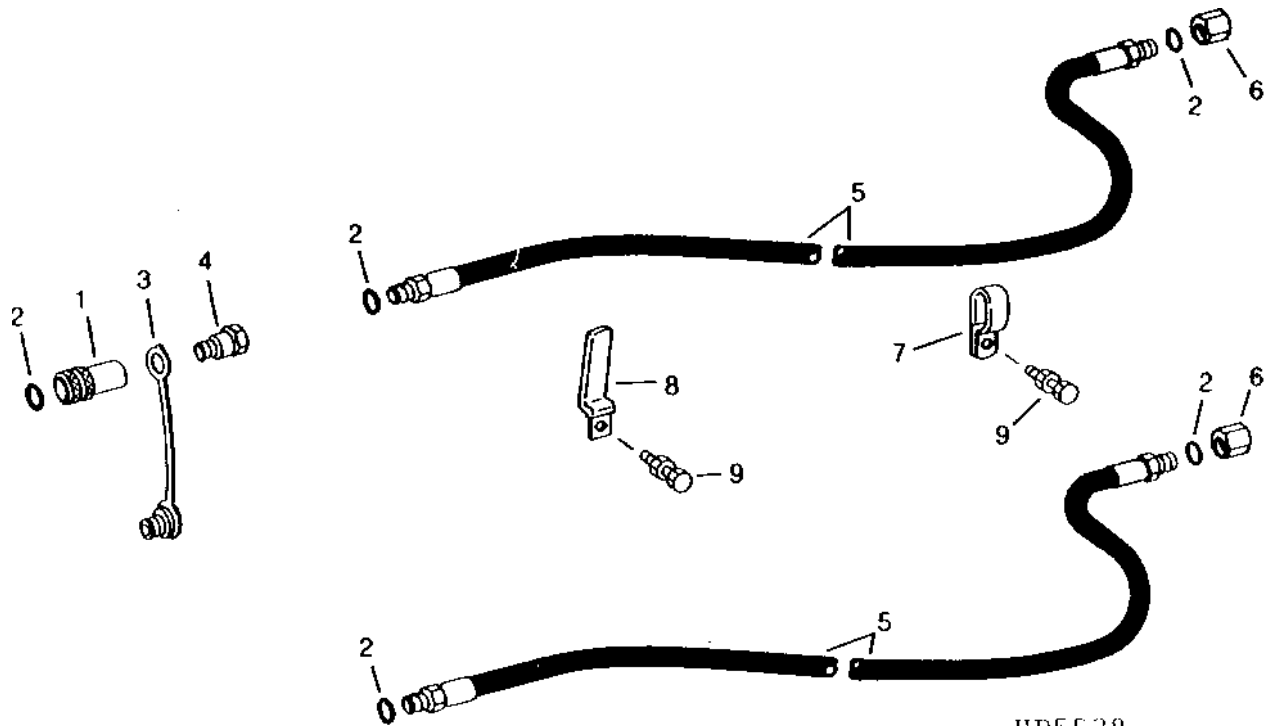
KEY	PART NO.	PART NAME	QTY	SERIAL NO.	REMARKS
1	AH128449	HYDRAULIC FILTER	1		
2	AH125733	FILTER HEAD	1		
3	19M7784	SCREW	2	M10 X 20	

4B24

HYDRAULICS

200 SERIES CUTTING PLATFORM HYDRAULIC CONVERSION PARTS

HP5528 -UN-01JAN94



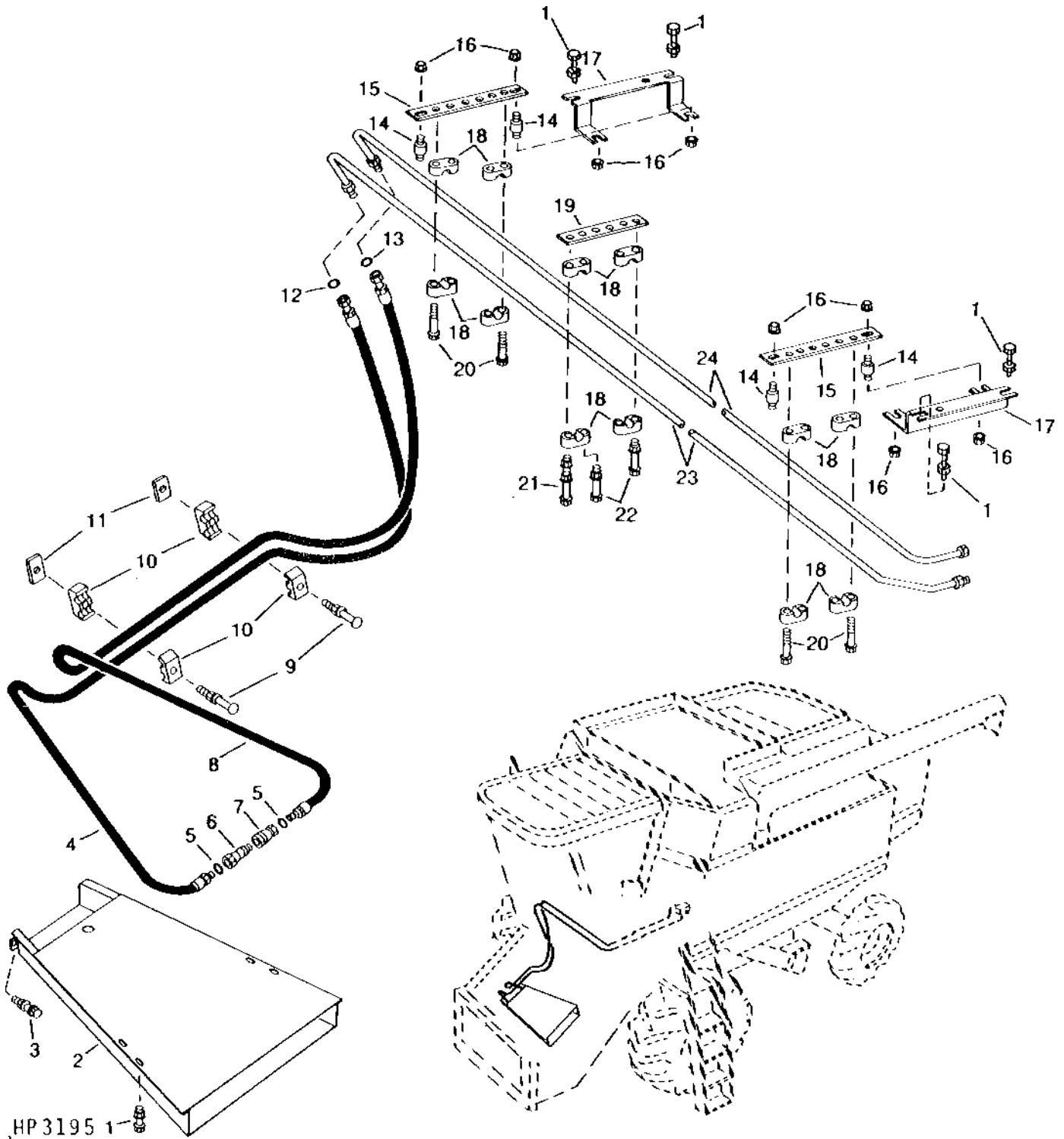
HP5528

KEY	PART NO.	PART NAME	QTY	SERIAL NO.	REMARKS
1	AH75167	HYD. QUICK-CONNECT COUPLER	1		(INCLUDES INTERNAL O-RING)
2	R26375	O-RING	5		16.358 X 2.210 MM (0.644" X 0.087")
3	H125403	PLUG	1		
4	H35112	ADAPTER	1		
5	AH130936	HYDRAULIC HOSE	2		3/4" X 2 640 MM (104") X 3/4"
6	R30815	FITTING	2		
7	AH77869	CLIP	3		
8	AH78124	CLIP	1		
9	19M7866	SCREW	4		M8 X 20
	14M7298	FLANGE NUT	4		M8
..	BH79019	COMPLETE GOODS/SHIP. BUNDLE	1		HEADER CONVERSION KIT (1984-1987)

4C1

HYDRAULICS

REEL DRIVE HYDRAULIC LINES AND HOSES, FRONT
HP3195 -UN-01JAN94



HP3195 1

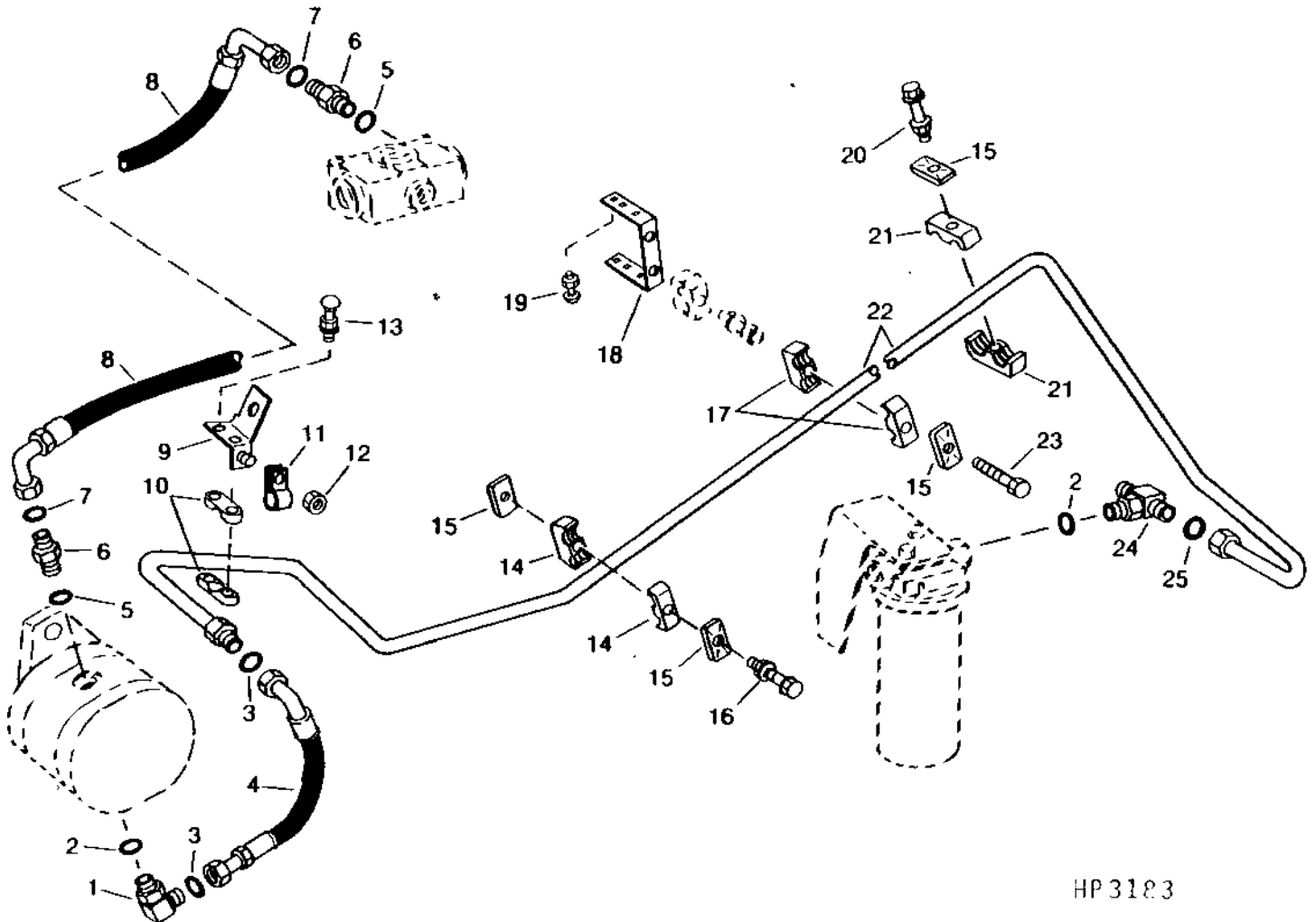
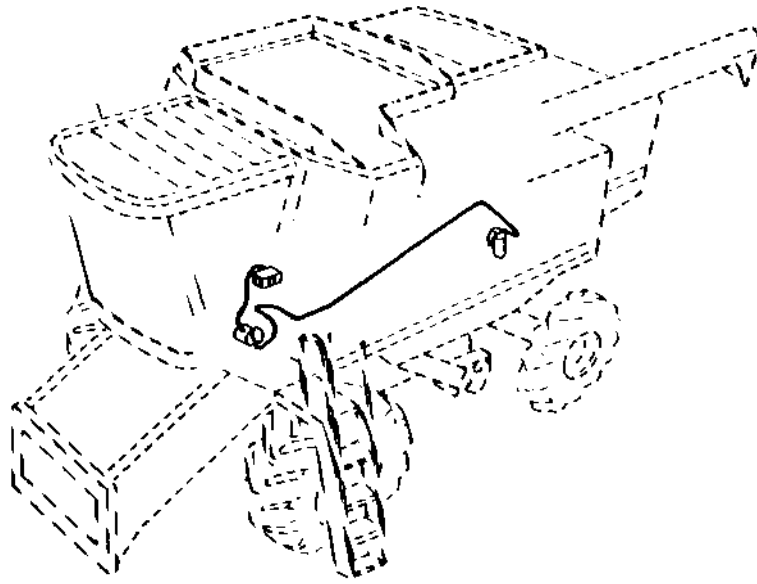
REEL DRIVE HYDRAULIC LINES AND HOSES, FRONT - CONTINUED

KEY	PART NO.	PART NAME	QTY	SERIAL NO.	REMARKS
1	19M7865	SCREW	6	M8 X 16	
	14M7298	FLANGE NUT	6	M8	
2	AH131303	PAN	1		
3	19M7784	SCREW	2	M10 X 20	
	14M7296	FLANGE NUT	2	M10	
4	AH130564	HYDRAULIC HOSE	1	3/4" X 2 927 MM (115-1/4") X 1" (RETURN)	
5	R26375	O-RING	2		
6	AR94522	INTERNAL HALF COUPLER	1		
7	AH75167	HYD. QUICK-CONNECT COUPLER	1	(INCLUDES INTERNAL O-RING)	
	P45750	O-RING	1		
	L24517	BACK-UP RING	1		
	T12960	SNAP RING	1		
8	AH130563	HYDRAULIC HOSE	1	3/4" X 2 852 MM (112-1/4") X 13/16" (PRESSURE)	
9	03M7245	BOLT	2	M8 X 55	
	14M7298	FLANGE NUT	2	M8	
10	H122772	CLAMP	4		
11	H112567	PLATE	2		
12	T77932	O-RING	1		
13	T77857	O-RING	1		
14	AH126657	ISOLATOR	4		
15	H134429	STRAP	2		
16	N10217	LOCK NUT	8	6.350 MM (1/4")	
17	H135618	BRACKET	2		
18	H115533	CLAMP	12		
19	H134558	STRAP	1		
20	37M7102	SCREW	8		
21	19M7979	SCREW	1	M8 X 55	
	14M7298	FLANGE NUT	2	M8	
22	19M8318	SCREW	3	M8 X 45	
	14M7298	FLANGE NUT	3	M8	
23	AH131322	HYDRAULIC LINE	1	-635168	(RETURN) (SUB AH135684)
	AH135684	HYDRAULIC LINE	1		
24	AH130213	HYDRAULIC LINE	1	-635168	(PRESSURE) (SUB AH135686)
	AH135686	HYDRAULIC LINE	1		

4C3

HYDRAULICS

REEL PUMP HYDRAULIC LINES AND HOSES
HP3183 -UN-01JAN94



HP3183

4C4

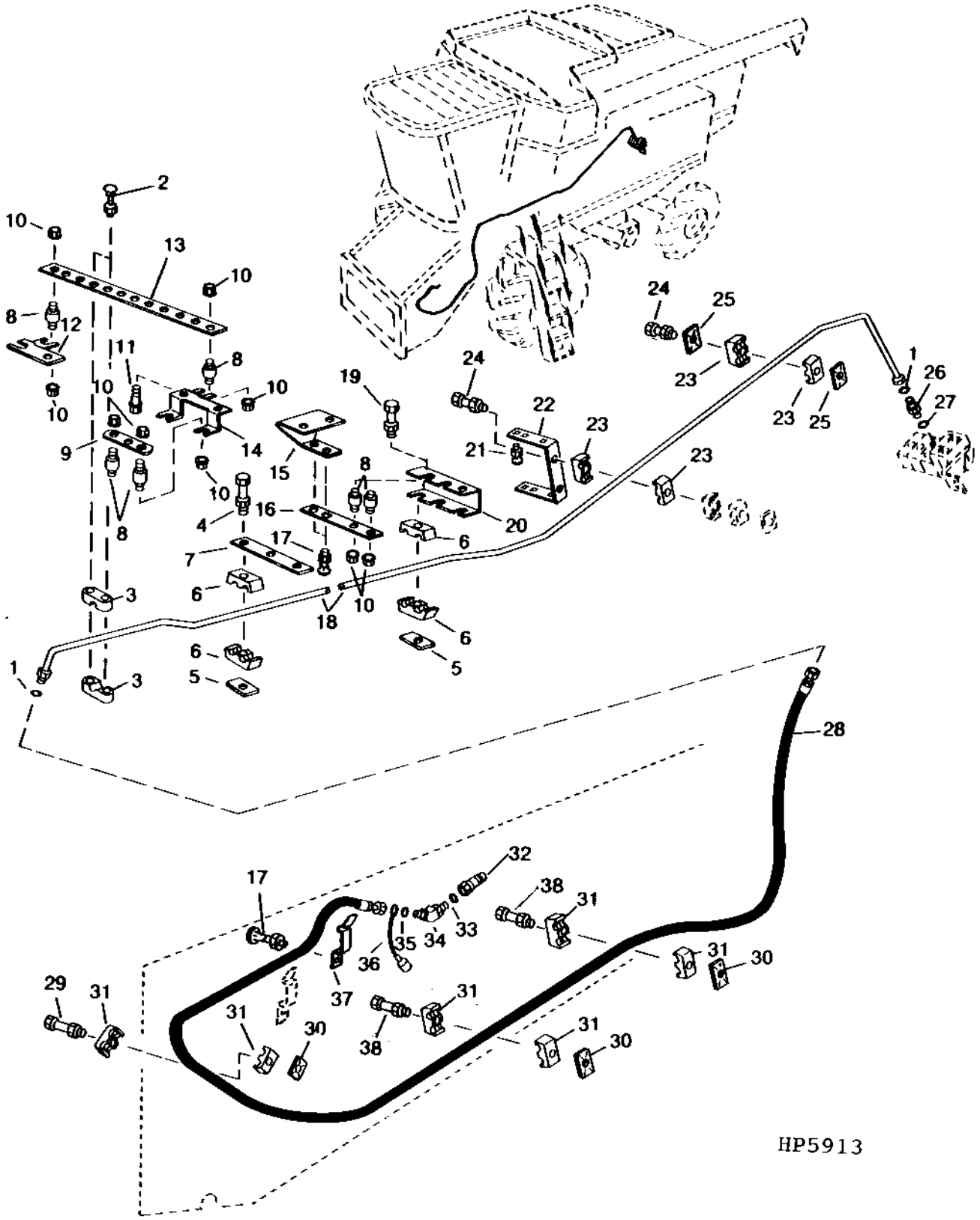
REEL PUMP HYDRAULIC LINES AND HOSES - CONTINUED

KEY	PART NO.	PART NAME	QTY	SERIAL NO.	REMARKS
1	38H1052	ELBOW FITTING	1		
2	R29936	O-RING	2		
3	T77858	O-RING	2		
4	AH128584	HYDRAULIC HOSE	1		1-3/16" X 390 MM (15-1/4") X 1-3/16" (REEL PUMP SUCTION)
5	R26906	O-RING	2		
6	38H1174	ADAPTER	2		
7	T77857	O-RING	2		
8	AH131876	HYDRAULIC HOSE	1		13/16" X 840 MM (33") X 13/16" (REEL PUMP PRESSURE)
9	AH126389	BRACKET	1		
10	H114432	CLAMP	2		
11	T72393	CLAMP	1		
12	14M7298	FLANGE NUT	1		M8
13	03M7280	BOLT	2		M6 X 45 (RD. HEAD)
	14M7303	FLANGE NUT	2		M6
14	H114897	CLAMP	2		
15	H112567	PLATE	4		
16	19M7801	SCREW	1		M8 X 60
	14M7298	FLANGE NUT	1		M8
17	H114897	CLAMP	2		
18	H131115	BRACKET	1		
19	03M7184	BOLT	4		M8 X 20 (RD. HEAD)
	14M7396	LOCK NUT	4		M8
20	19M8319	SCREW	1		M8 X 50
	14M7298	FLANGE NUT	1		M8
21	H120362	CLAMP	2		
22	AH128859	OIL LINE	1		(REEL PUMP SUCTION)
23	19M8317	SCREW	1		M8 X 40
24	38H1437	TEE FITTING	1		
25	T76938	O-RING	1		

4C5

HYDRAULICS

REEL LIFT LINES AND HOSES
HP5913 -UN-14FEB95



HP5913

4C6

HYDRAULICS

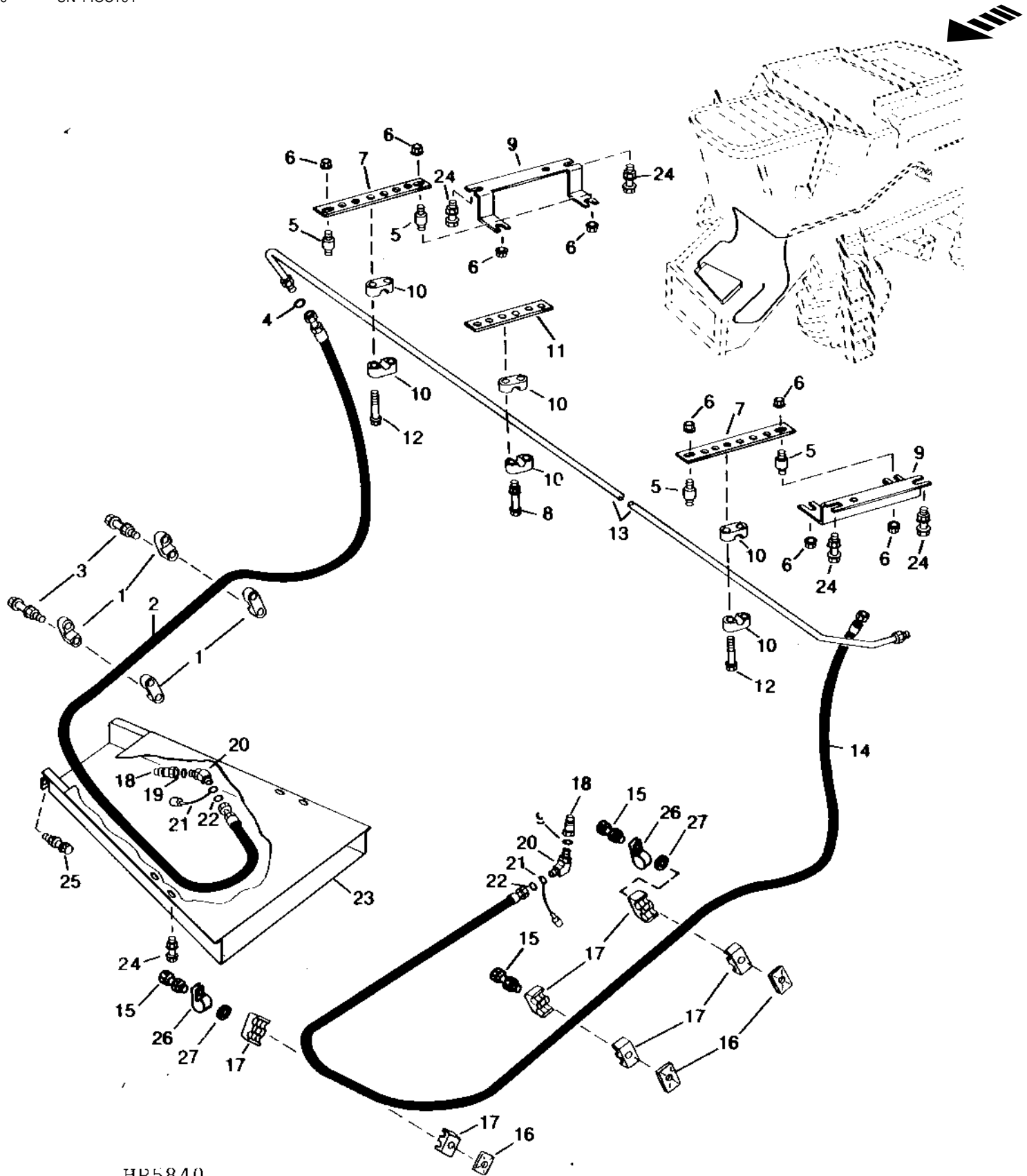
REEL LIFT LINES AND HOSES - CONTINUED

KEY	PART NO.	PART NAME	QTY	SERIAL NO.	REMARKS
1	T77613	O-RING	2		
2	37M7096	SCREW	2	-630804	M8 X 35
	03M7188	BOLT	2	630805-	M8 X 40
	14M7298	FLANGE NUT	2	630805-	M8
3	H116717	CLAMP	2		
4	19M7801	SCREW	1	-660100	M8 X 60
	19M7803	SCREW	1	660101-	M8 X 70
	14M7298	FLANGE NUT	1		M8
5	H121163	COVER	3		W/ REEL FORE/AFT OPTION
	H121163	COVER	1		W/O REEL FORE/AFT OPTION
6	H128515	CLAMP	8		W/ REEL FORE/AFT OPTION
	H127589	CLAMP	4		W/O REEL FORE/AFT OPTION
7	H131163	STRAP	1		
8	AH126657	ISOLATOR	6		
9	H134425	STRAP	1		
10	N10217	LOCK NUT	12		6.350 MM
11	37M7092	SCREW	4		M8 X 16
12	H134427	BRACKET	1		
13	H134426	STRAP	1	-630804	ROUND HOLES
	H140298	STRAP	1	630805-	SQUARE HOLES
14	H134424	BRACKET	1		
15	H138411	BRACKET	1		
16	H134434	SUPPORT	1		
17	03M7184	BOLT	3		M8 X 20
	14M7298	FLANGE NUT	3		M8
18	AH130895	HYDRAULIC LINE	1	-630804	(SUB AH135688)
	AH135688	HYDRAULIC LINE	1	630805-	
19	19M8291	SCREW	1	-630804	M8 X 35
	03M7188	BOLT	1	630805-660100	M8 X 40
	03M7216	BOLT	1	660101-	
	14M7298	FLANGE NUT	3		M8
20	H134428	BRACKET	1		
21	19M7866	SCREW	4		M8 X 20
	14M7396	LOCK NUT	4		M8
22	H131115	BRACKET	1		
23	H109046	CLAMP	4		
24	19M8319	SCREW	2	-660100	M8 X 50, W/O REEL FORE/AFT OPTION
	19M7979	SCREW	2	660101-	M8 X 55, W/O REEL FORE/AFT OPTION
	14M7298	FLANGE NUT	2		M8
25	H121168	PLATE	3		
26	AH129233	FITTING	1	-640100	
	38H1160	ADAPTER	1	640101-	
27	R26448	O-RING	1		
28	AH130561	HYDRAULIC HOSE	1		9/16" X 2 794 MM (110") X 11/16"
29	03M7189	BOLT	3	-660100	M8 X 45
	19M8319	SCREW	1	660101-	M8 X 50
	14M7298	FLANGE NUT	1		M8
	12M7032	LOCK WASHER	1	660101-	8.400 MM (0.331")
30	H121168	PLATE	3		
31	H120847	CLAMP	6		
32	AR94522	INTERNAL HALF COUPLER	1		
33	R26375	O-RING	1		
34	38H1046	ELBOW FITTING	1		
35	T77857	O-RING	1		
36	A15898	CAP	1		
37	H136336	HOSE CLAMP	1		
38	19M8319	SCREW	2	660101-660245	M8 X 50
	19M7979	SCREW	2	660246-	M8 X 55
	19M7298	CAP SCREW	2		M8 X 35
	12M7032	LOCK WASHER	2	660101-	8.400 MM

4C7

REEL FORE-AND-AFT HYDRAULIC LINES AND HOSES, FRONT (OPTIONAL)

HP5840 -UN-14OCT94



HP5840

4C8

HYDRAULICS

**REEL FORE AND AFT HYDRAULIC LINES AND HOSES, FRONT - CONTINUED
(OPTIONAL)**

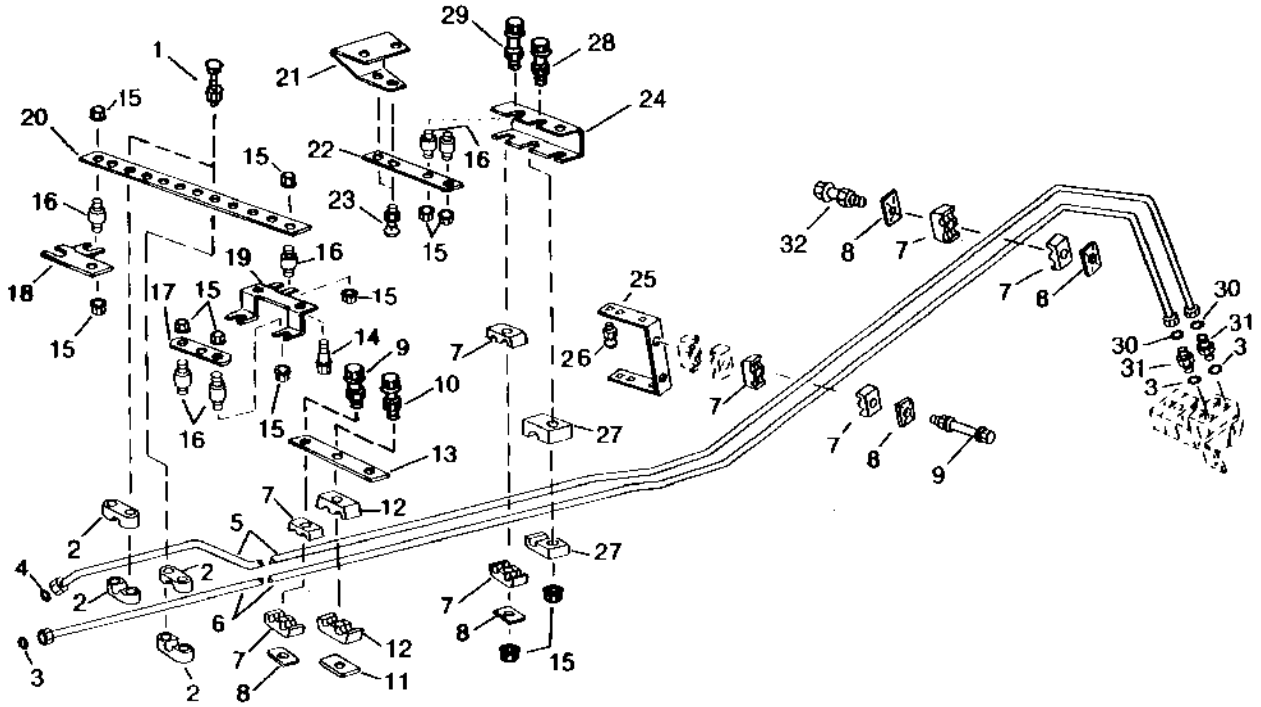
KEY	PART NO.	PART NAME	QTY	SERIAL NO.	REMARKS
1	H115533	CLAMP	4		
2	AH130561	HYDRAULIC HOSE	1		9/16" X 2 794 MM (110") X 11/16" (EXTEND)
3	03M7216	BOLT	4		M8 X 50
	14M7298	FLANGE NUT	4		M8
4	T77814	O-RING	1		
5	AH126657	ISOLATOR	4		
6	N10217	LOCK NUT	8		
7	H134429	STRAP	2		
8	19M8317	SCREW	2		M8 X 40
	14M7298	FLANGE NUT	2		M8
9	H135618	BRACKET	2		
10	H116717	CLAMP	6		
11	H134558	STRAP	1		
12	37M7096	SCREW	4		M8 X 35
13	AH131312	HYDRAULIC LINE	1	-635168	(EXTEND) (SUB AH135682)
	AH135682	HYDRAULIC LINE	1		
14	AH130560	HYDRAULIC HOSE	1		9/16" X 3 286 MM (129-1/4") X 11/16" (RETRACT)
15	19M8319	SCREW	3		M8 X 50
	14M7298	FLANGE NUT	3		M8
16	H121168	PLATE	3		
17	H120847	CLAMP	6		
18	AH116632	HYD. QUICK-CONNECT COUPLER	2		
19	R26448	O-RING	2		
20	38H1045	ELBOW FITTING	2		
21	AH124832	CAP	2		
22	T77613	O-RING	2		
23	AH131303	PAN	1		
24	19M7865	SCREW	6		M8 X 16
	14M7298	FLANGE NUT	6		M8
25	19M7784	SCREW	2		M10 X 20
	14M7296	FLANGE NUT	2		M10
26	AH89486	CLIP	3	-660377	(SUB AH96317)
	AH96317	CLIP	3		
27	12M7032	LOCK WASHER	3		8.400 MM (0.331")

4C9

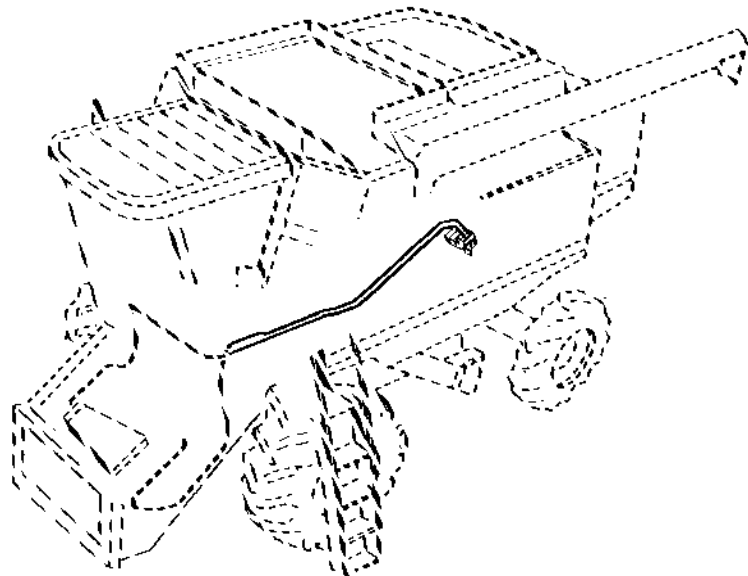
REEL FORE-AND-AFT HYDRAULIC LINES, L.H. SIDE

(OPTIONAL)

HP5841 -UN-14OCT94



HP5841



4C10

HYDRAULICS

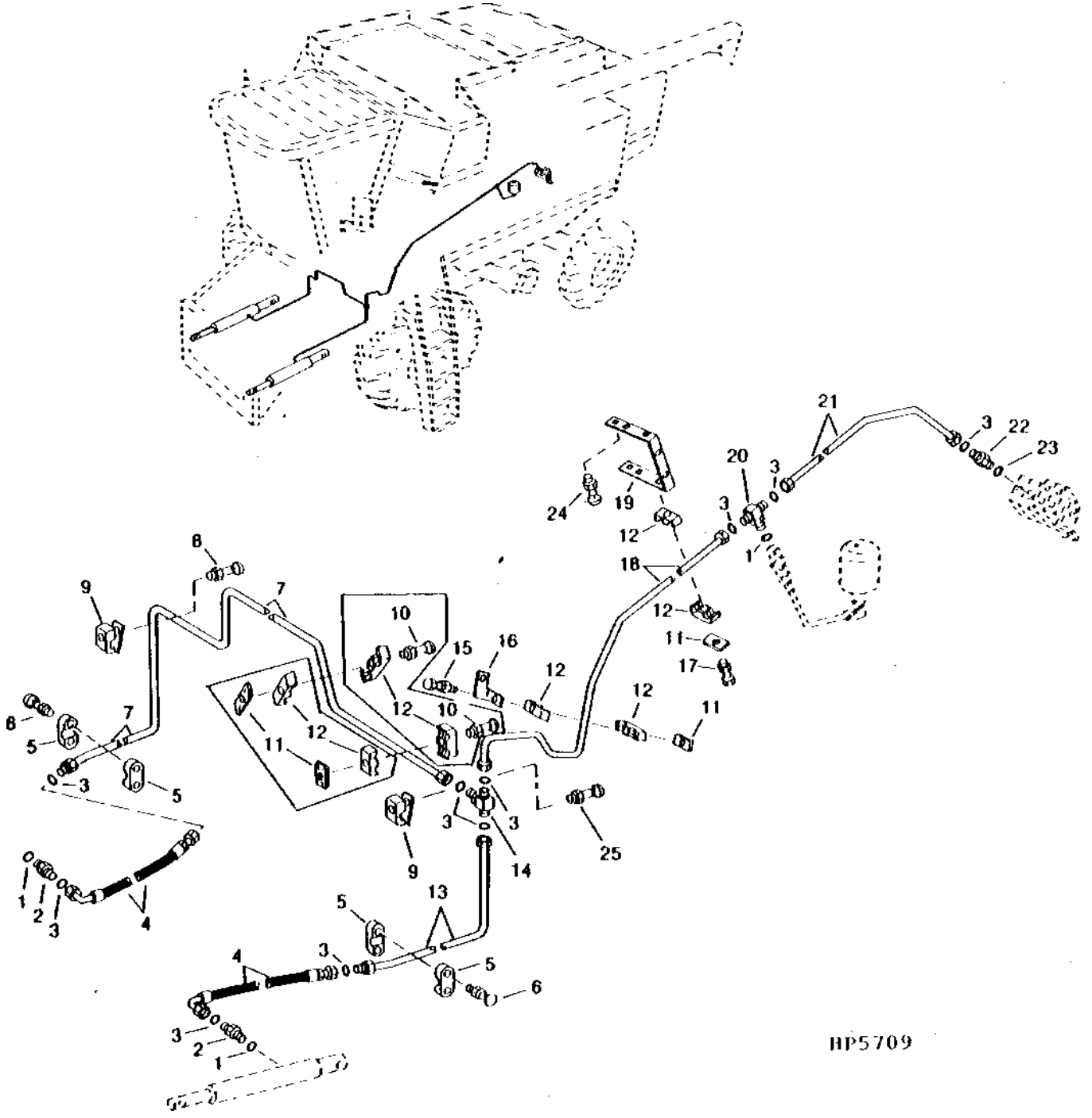
REEL FORE-AND-AFT HYDRAULIC LINES, L.H. SIDE - CONTINUED
(OPTIONAL)

KEY	PART NO.	PART NAME	QTY	SERIAL NO.	REMARKS
1	37M7096	SCREW	4	-630804	M8 X 35
	03M7188	BOLT	4	630805-	M8 X 40
	14M7298	FLANGE NUT	4	630805-	M8
2	H116717	CLAMP	4		
3	R26375	O-RING	2		
4	T77814	O-RING	1		
5	AH130896	HYDRAULIC LINE	1	-630804	RETRACT, (SUB AH135689)
	AH135689	HYDRAULIC LINE	1		
6	AH131311	HYDRAULIC LINE	1		(EXTEND)
7	H128515	CLAMP	8		
8	H121163	COVER	5		
9	19M7803	SCREW	2		M8 X 70
	14M7298	FLANGE NUT	2		M8
	19M8318	SCREW	1	-630804	M8 X 45
10	03M7189	BOLT	1	630805-	M8 X 45
	14M7298	FLANGE NUT	1		M8
11	H121168	PLATE	1	-630804	
12	H109046	CLAMP	2	-630804	
13	H131163	STRAP	1	-630804	
14	03M7184	BOLT	2		M8 X 20
	14M7298	FLANGE NUT	2		M8
15	N10217	LOCK NUT	12		
16	AH126657	ISOLATOR	6		
17	H134425	STRAP	1		
18	H134427	BRACKET	1		
19	H134424	BRACKET	1		
20	H134426	STRAP	1	-630804	ROUND HOLES
	H140298	STRAP	1	630805-	SQUARE HOLES
21	H138411	BRACKET	1		
22	H134434	SUPPORT	1		
23	03M7184	BOLT	2		M8 X 20
	14M7298	FLANGE NUT	2		M8
24	H134428	BRACKET	1		
25	H131115	BRACKET	1		
26	19M7866	SCREW	4		M8 X 20
	14M7396	LOCK NUT	4		M8
27	H127589	CLAMP	2		
28	19M8317	SCREW	1	-640100	M8 X 40
	03M7188	BOLT	1	640101-660100	M8 X 40
	03M7216	BOLT	1	660101-	M8 X 50
29	14M7298	FLANGE NUT	1		M8
	03M7188	BOLT	2		M8 X 40
30	T77613	O-RING	3		
31	38H1171	ADAPTER	2		
32	19M7803	SCREW	1	-640100	M8 X 70
	19M7801	SCREW	1	640101-	M8 X 60
	14M7298	FLANGE NUT	1		M8

4C11

HEADER LIFT HYDRAULIC LINES AND HOSES

HP5709 -UN-01JAN94



HP5709

4C12

HYDRAULICS

HEADER LIFT HYDRAULIC LINES AND HOSES - CONTINUED

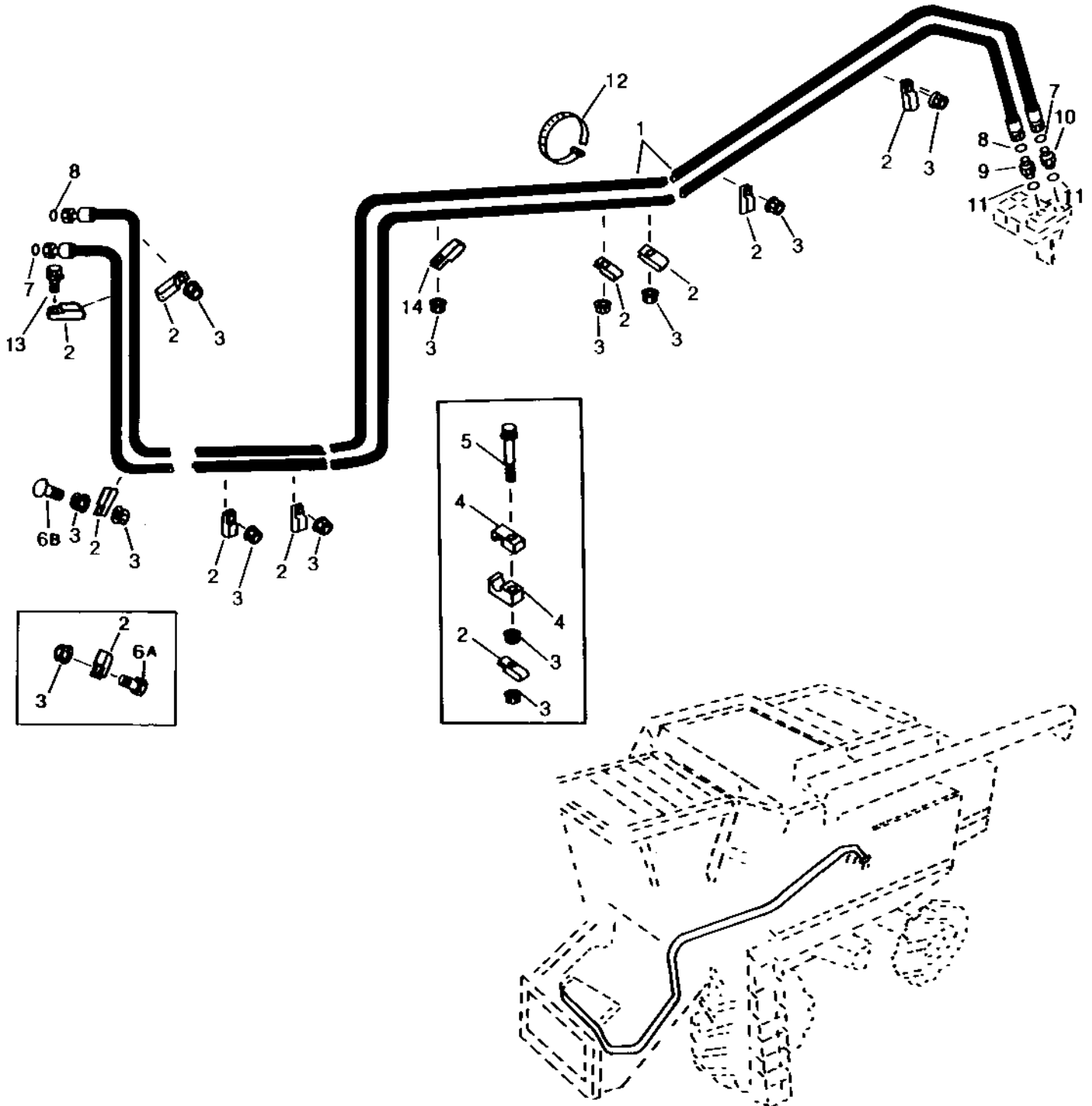
KEY	PART NO.	PART NAME	QTY	SERIAL NO.	REMARKS
1	R26375	O-RING	3		
2	38H1161	ADAPTER	2		
3	T77857	O-RING	10		
4	AH121605	HYDRAULIC HOSE	2		13/16" X 515 MM (20-1/4") X 13/16"
5	H117937	CLAMP	4		
6	03M7189	BOLT	4		M8 X 45
	14M7298	FLANGE NUT	4		M8
7	AH131378	OIL LINE	1		
8	03M7280	BOLT	1		M6 X 45
	14M7303	FLANGE NUT	1		M6
9	H116706	CLAMP	1	-640100	
	H116706	CLAMP	4	640101-	
10	03M7262	BOLT	2		M6 X 50
	14M7303	FLANGE NUT	2		M6
11	H121168	PLATE	4	-640816	
	H121168	PLATE	1	640817-	
12	H108291	CLAMP	8	-640816	
	H108291	CLAMP	2	640817-	
	H116706	CLAMP	3	640817-	
13	AH130113	HYDRAULIC LINE	1		
14	38H1206	TEE FITTING	1		
15	19M8317	SCREW	1		M8 X 40
	14M7298	FLANGE NUT	1		M8
16	H135974	BRACKET	1		
17	19M8318	SCREW	1		M8 X 45
	14M7298	FLANGE NUT	1		M8
18	AH131576	HYDRAULIC LINE	1		
19	H131115	BRACKET	1		
20	38H1017	TEE FITTING	1		
21	AH128753	HYDRAULIC LINE	1		
22	38H1173	ADAPTER	1		
23	R26448	O-RING	1		
24	03M7184	BOLT	4		M8 X 20
	14M7396	LOCK NUT	4		M8
25	19M8321	SCREW	2	655280-	M6 X 45
	14M7303	FLANGE NUT	2	655280-	M6

4C13

HYDRAULICS

CONTOUR MASTER HYDRAULIC HOSES, L.H. SIDE (OPTIONAL)

(660101-)
HP5975 -UN-27APR95



HP5975

4C14

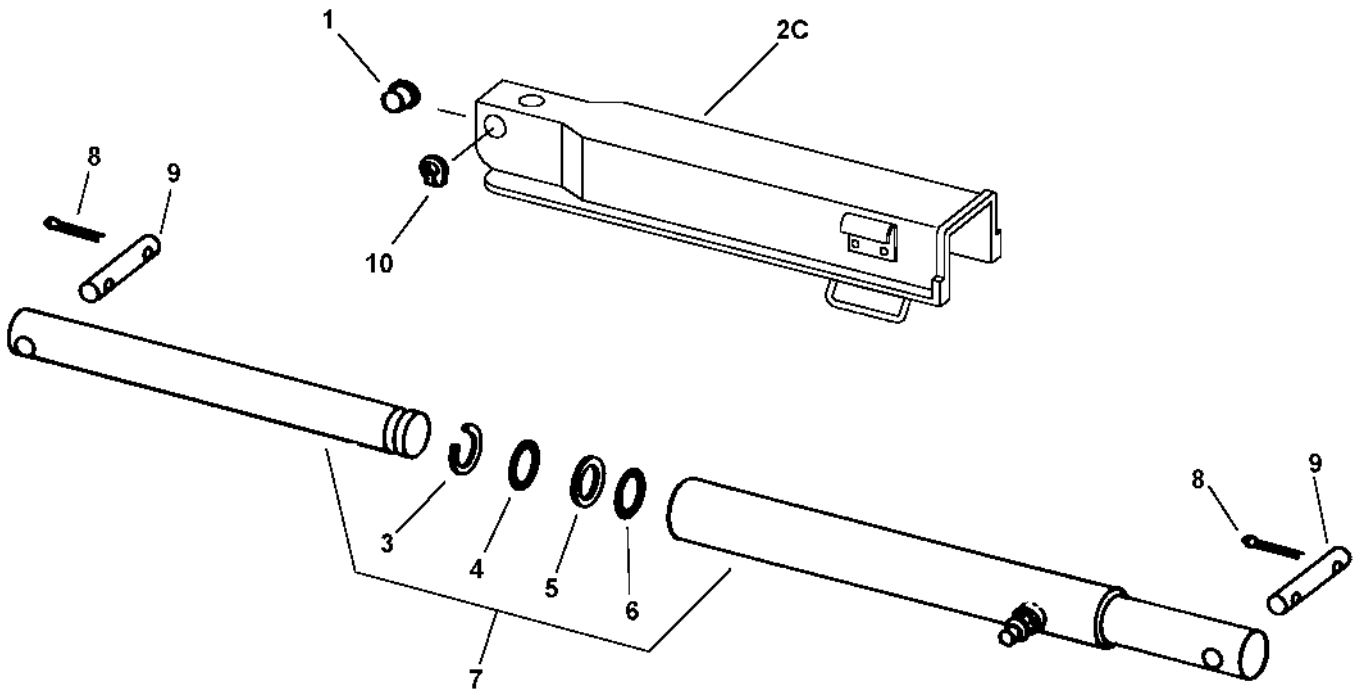
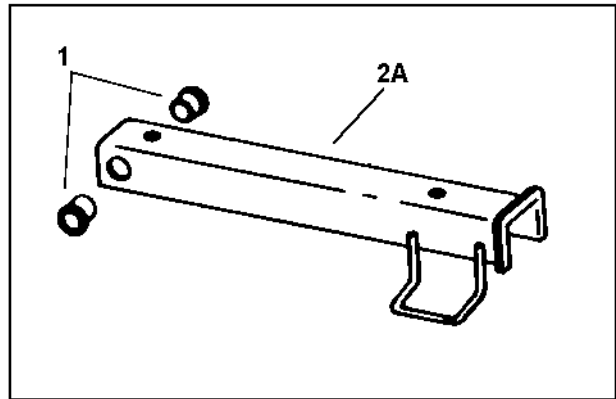
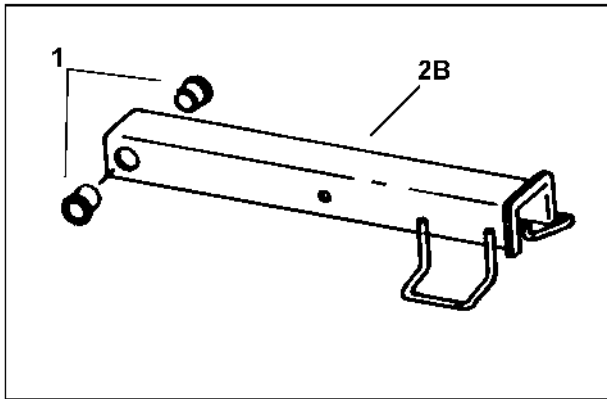
HYDRAULICS

CONTOUR MASTER HYDRAULIC HOSES, L.H. SIDE (OPTIONAL) - CONTINUED
(660101-)

KEY	PART NO.	PART NAME	QTY	SERIAL NO.	REMARKS
1	AH143682	HYDRAULIC HOSE	2		
2	AH97280	CLIP	11	-660180	
	AH97280	CLIP	10	660181-	
3	14M7298	FLANGE NUT	12	-660180	M8
	14M7298	FLANGE NUT	10	660181-	M8
4	H127589	CLAMP	2	-660180	
5	19M8318	SCREW	1	-660180	M8 X 45
6A	03M7184	BOLT	1	-660180	M8 X 20
6B	03M7185	BOLT	1	660180-	M8 X 25
7	T77613	O-RING	2		9.246 X 1.778 MM (0.364" X 0.070")
8	T77814	O-RING	2		7.645 X 1.778 MM (0.301" X 0.070")
9	38H1445	ADAPTER	1		
10	38H1171	ADAPTER	1		
11	R26375	O-RING	2		16.358 X 2.210 MM (0.644" X 0.087")
12	R44302	TIE BAND	1	660181-	171 MM (6-3/4")
13	37M7084	SCREW	1	660181-	M8 X 25
14	AH77869	CLIP	1		

4C15

HEADER LIFT HYDRAULIC CYLINDER
HP7441 -UN-03MAR98



HP7441

4C16

HYDRAULICS

HEADER LIFT HYDRAULIC CYLINDER

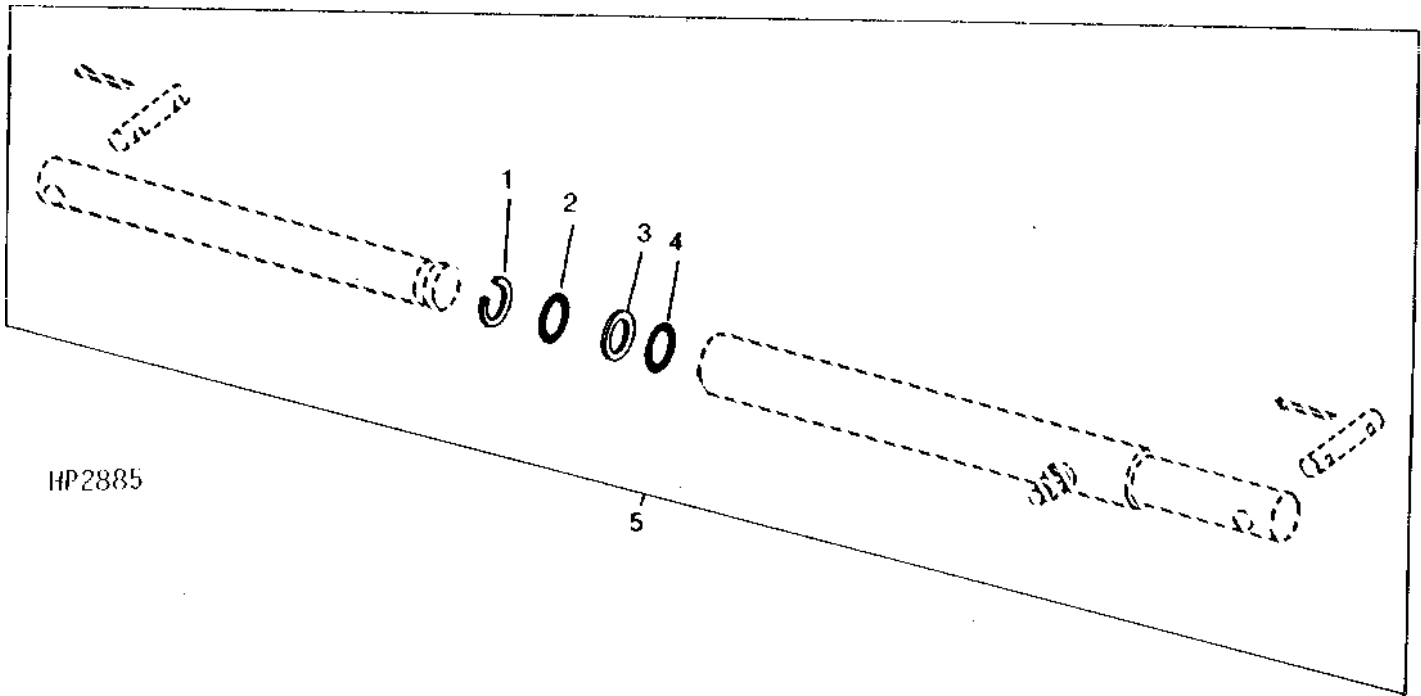
KEY	PART NO.	PART NAME	QTY	SERIAL NO. OR YEAR	REMARKS
1	H135407	BUSHING	2	-650350	(SUB H150054) (L.H. CYLINDER ONLY)
	H150054	BUSHING	2		
2A	AH128447	STOP	1	-645272	(SUB AH141152) (SAFETY) (L.H. HAND CYLINDER ONLY)
	AH141152	STOP	1	645273-650350	(SUB AH143871)
2B	AH143871	STOP	1		
2C	AH144030	STOP	1	650518-5JAN98	
	AH157492	STOP	1	5JAN98-	
3	H30727	SNAP RING	1		RETAINING
4	SEAL	1		
5	WASHER	1		BACKUP
6	O-RING	1		
7	AH129317	CYLINDER	1	-635000	(COMPLETE COMPONENT) (1-7/8" BORE)
	AH135492	CYLINDER	1	635001-650100	(COMPLETE COMPONENT) (1-7/8" BORE)
	AH139610	HYDRAULIC CYLINDER	1	650101-	
8	H95042	COTTER PIN	4	-645298	
	H147486	COTTER PIN	4	645299-	
9	H116894	PIN	2		
10	Z56747	SNAP RING	2	-650548	(SUB H150454)
	H150454	SNAP RING	2		
	40M1835	SNAP RING	2	29SEP7-	
..	AE32374	SEAL KIT	1	-650100	1-7/8" BORE
..	AH139754	HYDRAULIC CYLINDER KIT	1	650101-	
..	BH81390	COMPLETE GOODS/SHIP. BUNDLE	1		RETROFIT BUNDLE, NARROW FEEDER HOUSE
..	BH81446	COMPLETE GOODS/SHIP. BUNDLE	1		RETROFIT BUNDLE, NARROW FEEDER HOUSE CONTOUR MASTER

NOTE: QUANTITIES SHOWN ARE FOR ONE UNIT. TWO UNITS USED PER MACHINE.

4C17

HYDRAULICS

HEADER LIFT HYDRAULIC CYLINDER KIT
 HP2885 -UN-01JAN94



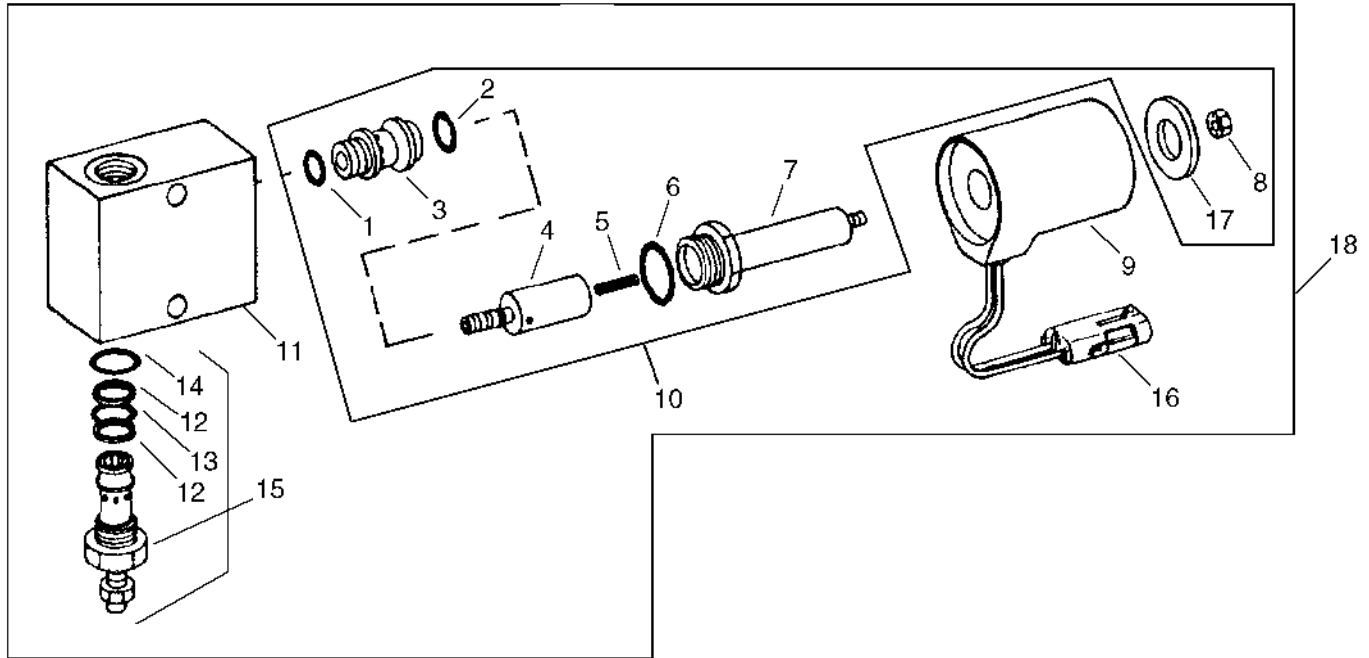
HP2885

KEY	PART NO.	PART NAME	QTY	SERIAL NO.	REMARKS
1	RING	1		(RETAINING)
2	SEAL	1		
3	WASHER	1		
4	O-RING	1		
5	AE32374	SEAL KIT	1	-650100	(SEAL REPAIR)
	AH139754	HYDRAULIC CYLINDER KIT	1	650101-	

4C18

HYDRAULICS

DIAL-A-MATIC HEADER HEIGHT CONTROL VALVE
 HP8033 -UN-21APR99



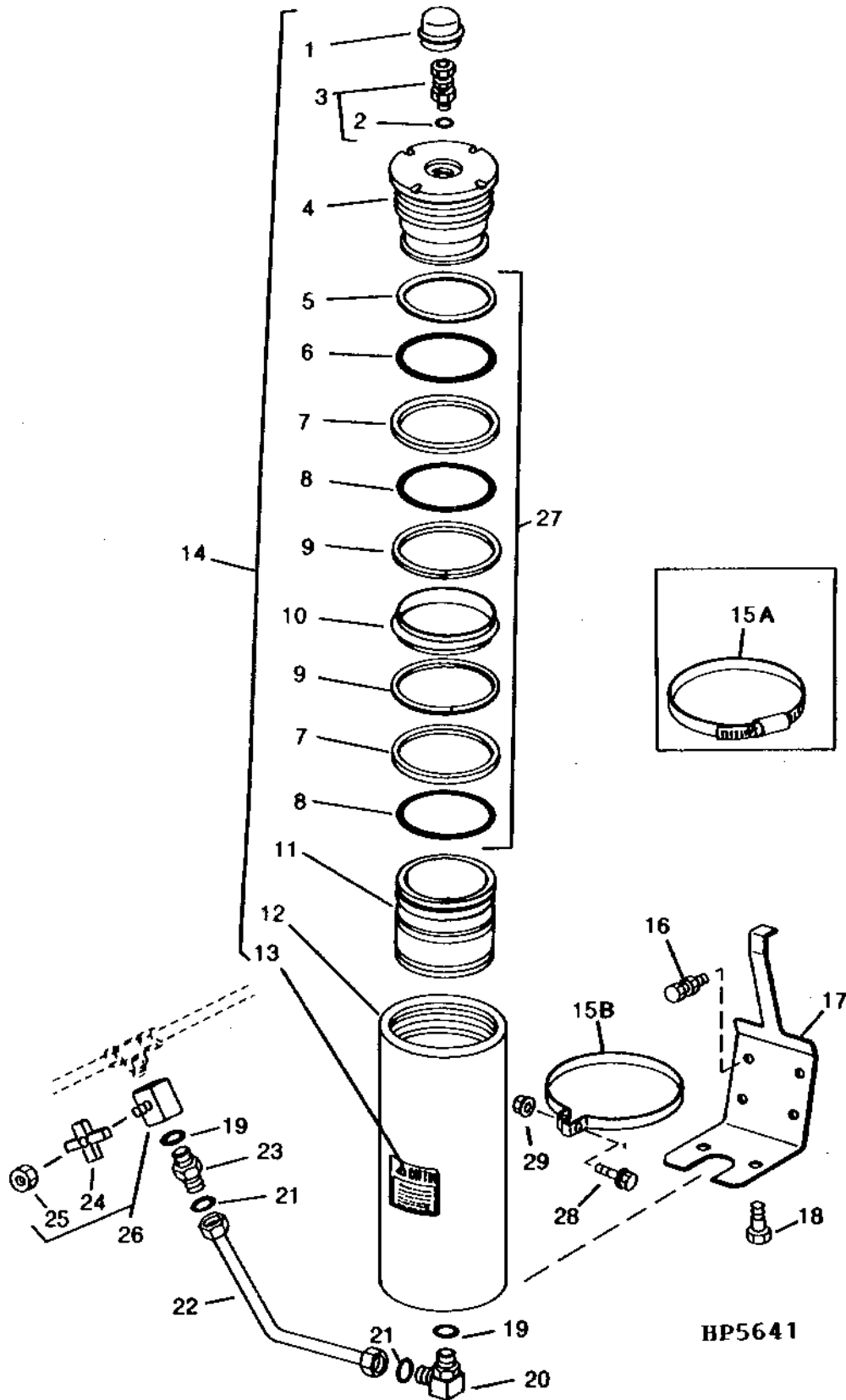
HP8033

KEY	PART NO.	PART NAME	QTY	SERIAL NO.	REMARKS
1	R28776	O-RING	1		
2	T75984	O-RING	1		
3	VALVE SPOOL	1		
4	PLUNGER	1		
5	SPRING	1		
6	R27928	O-RING	1		
7	GUIDE	1		
8	14H866	NUT	1	5/8"	
9	AH131572	ELECTRICAL COIL	1		
10	AH131571	VALVE	1		
11	H135964	HOUSING	1		
12	BACK-UP RING	2		
13	U15980	O-RING	1		
14	R26906	O-RING	1		
15	AH131570	VALVE	1		
16	R78053	PIN CONTACT CONNECTOR BODY	1		(PKG OF 3)
	R78059	ELECTRICAL PLUG	1		(PKG OF 40)
	R78061	PIN CONTACT	1		(PKG OF 40)
17	24H1368	WASHER	1		21/32" X 1-5/16" X 0.090"
18	AH125910	SOLENOID VALVE	1		

4C19

ONE-HALF GALLON ACCUMULATOR AND MOUNTING (SINGLE)

HP5641 -UN-01JAN94



4C20

HYDRAULICS

ONE-HALF GALLON ACCUMULATOR AND MOUNTING (SINGLE) - CONTINUED

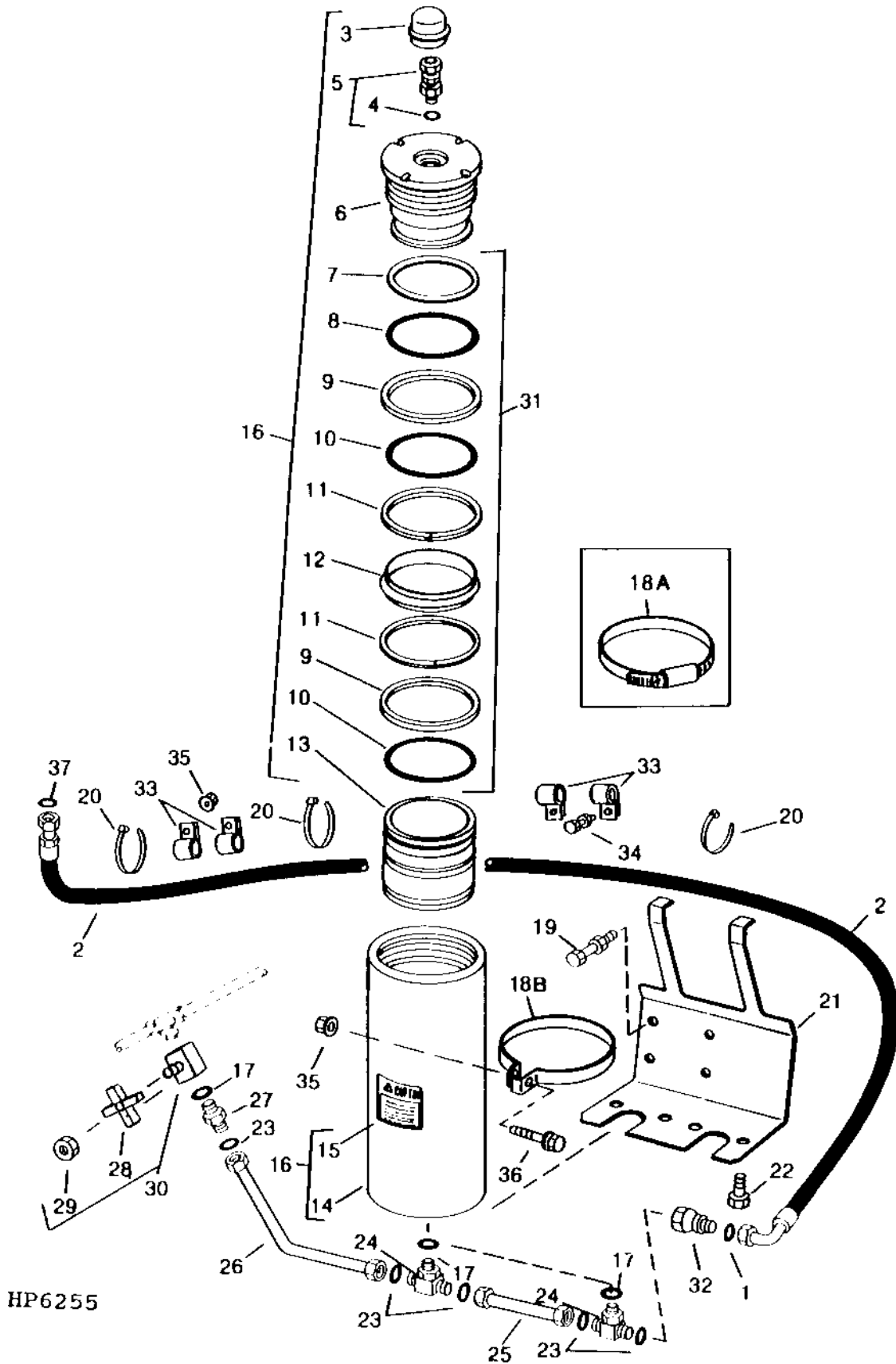
KEY	PART NO.	PART NAME	QTY	SERIAL NO.	REMARKS
1	J2375M	CAP	1		
2	H135641	RING	1		
3	AH131250	BLEED VALVE	1		
4	CAP	1		
5	BACK-UP RING	1		
6	O-RING	1		
7	SEAL	2	(KIT AH133285)	
8	O-RING	2	(KIT AH133285)	
9	BACK-UP RING	2	(KIT AH133285)	
10	SEAL	1	(KIT AH133285)	
11	PISTON	1	(KIT AH133285)	
12	BARREL	1	(KIT AH133285)	
13	H138423	LABEL	1	-660100	(SUB H149092) "CAUTION"
	H149092	LABEL	1		"CAUTION"
14	AH133265	ACCUMULATOR	1		
15A	C16054	CLAMP	1		(SUB R77178, 19M8162 AND 14M7296)
15B	R77178	CLAMP	1		
16	19M7866	SCREW	4		M8 X 20
	14M7298	FLANGE NUT	4		M8
17	H137593	BRACKET	1		
18	19M7864	SCREW	2		M8 X 12
19	R26375	O-RING	2		
20	38H1005	ELBOW FITTING	1		
21	T77857	O-RING	2		
22	AH132203	OIL LINE	1		
23	38H1161	ADAPTER	1		
24	N232713	HANDLE	1		
25	K40001	LOCK NUT	1		6.350 MM (1/4")
26	AH131535	VALVE	1		
27	AH133285	SEAL	1		
28	19M8162	CAP SCREW	1		M10 X 40
29	14M7296	FLANGE NUT	1		M10

4C21

ONE-HALF GALLON ACCUMULATOR, HOSE, LINE AND MOUNTING (DUAL)

(-655100)

HP6255 -UN-04JAN96



HP6255

4C22

HYDRAULICS

ONE-HALF GALLON ACCUMULATOR, HOSE, LINE AND MOUNTING (DUAL) - CONTINUED
(-655100)

KEY	PART NO.	PART NAME	QTY	SERIAL NO.	REMARKS
1	T77613	O-RING	1		
2	AH133151	HYDRAULIC HOSE	1		TO GAUGE IN CAB
3	J2375M	CAP	2		
4	H135641	RING	2		
5	AH131250	BLEED VALVE	2		
6	CAP	2		
7	BACK-UP RING	2		(KIT AH133285)
8	O-RING	2		(KIT AH133285)
9	SEAL	4		(KIT AH133285)
10	O-RING	4		(KIT AH133285)
11	BACK-UP RING	4		(KIT AH133285)
12	SEAL	2		(KIT AH133285)
13	PISTON	2		
14	BARREL	2		
15	H138423	LABEL	2	-660100	(SUB H149092) "CAUTION"
	H149092	LABEL	2		"CAUTION"
16	AH133265	ACCUMULATOR	2		
17	R26375	O-RING	3		
18A	C16054	CLAMP	2		(SUB TY22475)
18B	R77178	CLAMP	2		
19	19M7866	SCREW	4		M8 X 20
	14M7298	FLANGE NUT	4		M8
20	R44302	TIE BAND	3		
21	H137596	BRACKET	1		
22	19M7864	SCREW	4		M8 X 12
23	T77857	O-RING	5		
24	38H1017	TEE FITTING	2		
25	AH132202	OIL LINE	1		
26	AH132203	OIL LINE	1		
27	38H1161	ADAPTER	1		
28	N232713	HANDLE	1		
29	K40001	LOCK NUT	1		6.350 MM (1/4")
30	AH131535	VALVE	1		
31	AH133285	SEAL	1		
32	38H1481	REDUCER	1		
33	H75541	CLAMP	4		
34	03M7183	BOLT	1		M8 X 16
	19M7298	CAP SCREW	1		M8 X 35
35	14M7296	FLANGE NUT	1		M10
	14M7296	FLANGE NUT	2		M10
36	19M8162	CAP SCREW	1		M10 X 40
37	T77613	O-RING	1		9.246 X 1.778 MM
..	BH80267	COMPLETE GOODS/SHIP. BUNDLE	1		ACCUMULATOR WITH FLOAT INDICATOR

4C24

HYDRAULICS

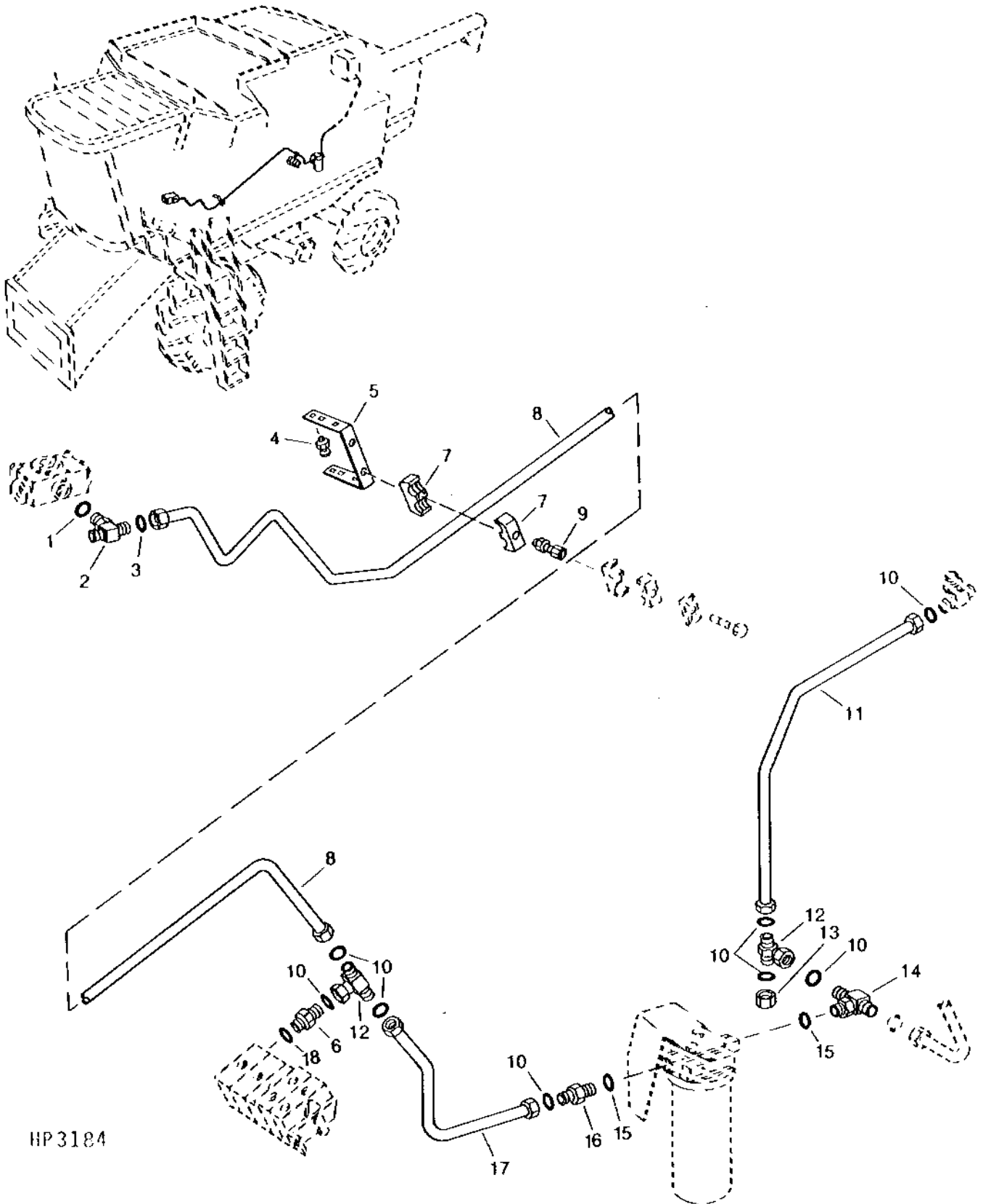
ONE GALLON ACCUMULATOR, HOSE, LINE AND MOUNTING - CONTINUED
(655101-)

KEY	PART NO.	PART NAME	QTY	SERIAL NO.	REMARKS
1	T77613	O-RING	1		9.246 X 1.778 MM
2	AH133151	HYDRAULIC HOSE	1		TO GAUGE IN CAB
3	J2375M	CAP	2		
4	H135641	RING	2		
5	AH131250	BLEED VALVE	2		
6	H138423	LABEL	1	-660100	(SUB H149092) "CAUTION"
	H149092	LABEL	1		"CAUTION"
7	AH143455	ACCUMULATOR	1		
8	R26375	O-RING	2		
9	R77178	CLAMP	1		
10	14M7296	FLANGE NUT	1		M10
11	19M7658	CAP SCREW	1		M10 X 50
	03M7196	BOLT	1	655159-	M10 X 50
12	19M7866	SCREW	4		M8 X 20
	14M7298	FLANGE NUT	4		M8
13	R44302	TIE BAND	3		
14	H148366	BRACKET	1		
15	19M7864	SCREW	2		M8 X 12
16	T77857	O-RING	3		
17	38H1017	TEE FITTING	1		
18	AH144095	HYDRAULIC HOSE	1	-670100	13/16" X 450 MM (17-3/4") X 13/16"
	AH148124	HYDRAULIC HOSE	1	670101-	13/16" X 460 MM (18") X 13/16"
19	38H1161	ADAPTER	1		
20	N232713	HANDLE	1		
21	K40001	LOCK NUT	1		6.350 MM (1/4")
22	AH131535	VALVE	1		
23	38H1481	REDUCER	1		
24	H75541	CLAMP	4		
25	03M7183	BOLT	1		M8 X 16
	19M7298	CAP SCREW	1		M8 X 35
26	14M7296	FLANGE NUT	1		M10
27	T77613	O-RING	1		9.246 X 1.778 MM (0.364" X 0.070")
	T77814	O-RING	1		7.645 X 1.778 MM (0.301" X 0.070")

4D1

HYDRAULICS

HYDRAULIC RETURN LINES
HP3184 -UN-01JAN94



HP3184

4D2

HYDRAULICS

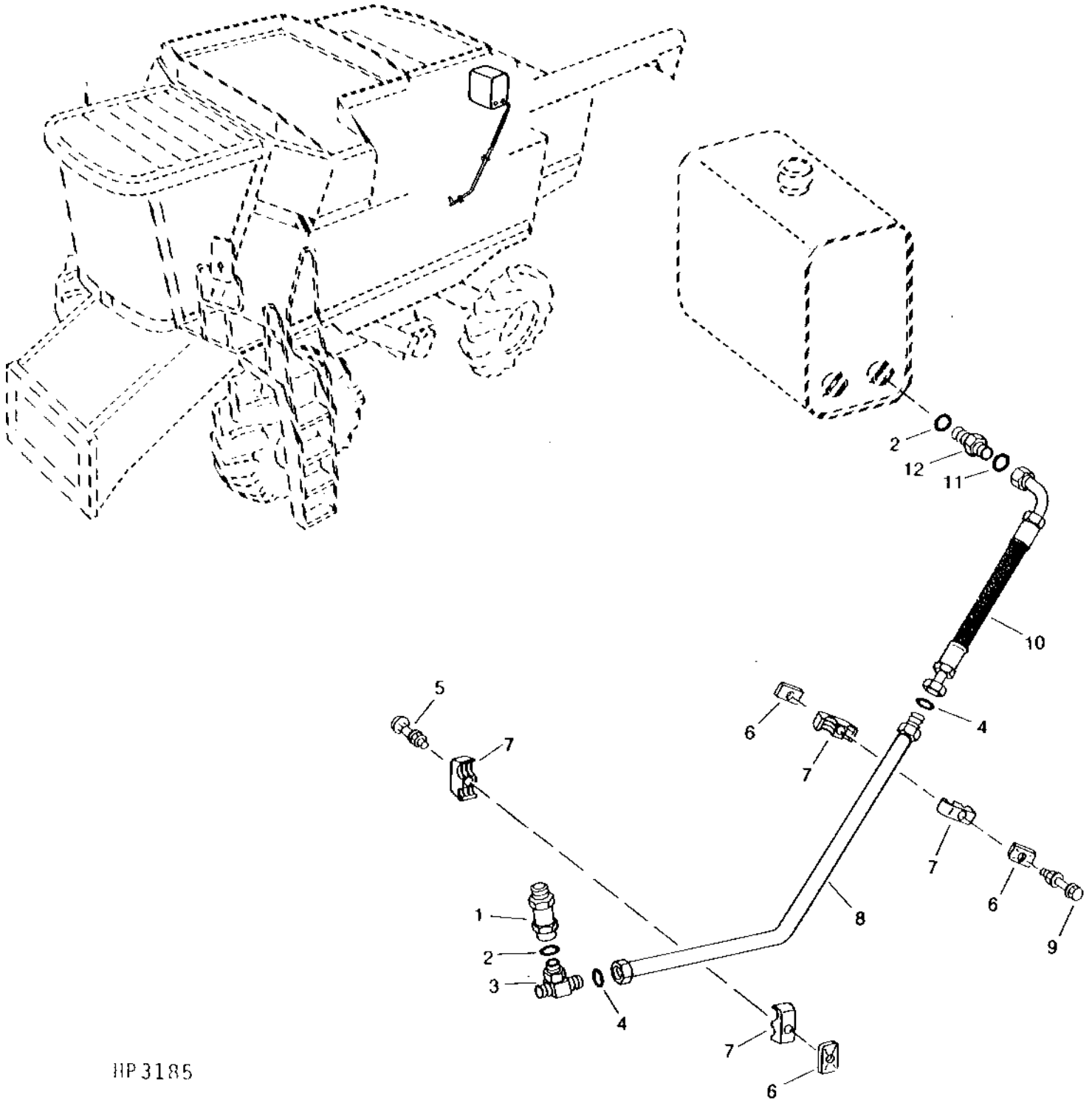
HYDRAULIC RETURN LINES - CONTINUED

KEY	PART NO.	PART NAME	QTY	SERIAL NO.	REMARKS
1	R26906	O-RING	1		
2	38H1018	TEE FITTING	1		
3	T77932	O-RING	1	-640100	
	T77932	O-RING	2	640101-	
4	03M7184	BOLT	4		M8 X 20 (RD. HEAD)
	14M7396	LOCK NUT	4		M8
5	H131115	BRACKET	1		
6	38H1193	ADAPTER	1		
7	H120847	CLAMP	2		
8	AH128851	OIL LINE	1		(REEL RETURN)
9	19M7913	SCREW	1		M8 X 90
	14M7298	FLANGE NUT	1		M8
10	T77858	O-RING	8		
11	AH130448	HYDRAULIC LINE	1		(RETURN)
12	38H1041	TEE FITTING	2		
13	38H1418	FITTING PLUG	1		
14	38H1437	TEE FITTING	1		
15	R29936	O-RING	2		
16	38H1194	ADAPTER	1		
17	AH126122	HYDRAULIC LINE	1		(RETURN)
18	R26375	O-RING	1		

4D3

RESERVOIR HYDRAULIC UPPER RETURN LINES AND HOSES

HP3185 -UN-01JAN94



HP3185

4D4

HYDRAULICS

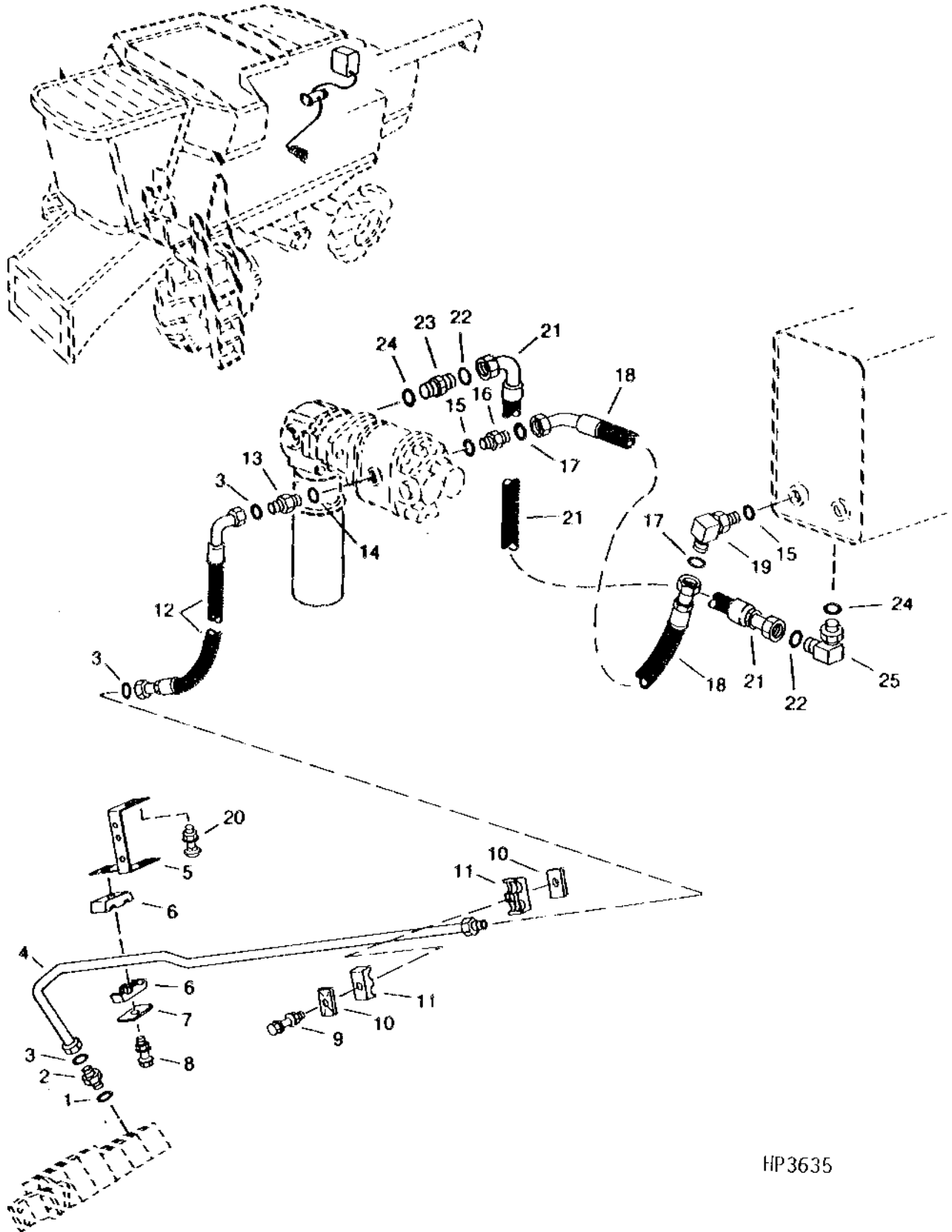
RESERVOIR HYDRAULIC UPPER RETURN LINES AND HOSES - CONTINUED

KEY	PART NO.	PART NAME	QTY	SERIAL NO.	REMARKS
1	AH118337	CHECK VALVE	1		
2	U12547	O-RING	2		
3	38H1019	TEE FITTING	1		
4	T77858	O-RING	2		
5	03M7245	BOLT	1	M8 X 55 (RD. HEAD)	
	14M7298	FLANGE NUT	1	M8	
6	H112567	PLATE	3		
7	H114865	CLAMP	4		
8	AH130568	HYDRAULIC LINE	1	(UPPER RETURN)	
9	19M7801	SCREW	1	M8 X 60	
	14M7298	FLANGE NUT	1	M8	
10	AH130567	HYDRAULIC HOSE	1	1-3/16" X 305 MM (12") X 1-3/16" (UPPER RETURN)	
11	T77858	O-RING	1		
12	38H1163	ADAPTER	1		

4D5

HYDRAULICS

HYDRAULIC PRESSURE LINES AND HOSES
HP3635 -UN-01JAN94



HP3635

4D6

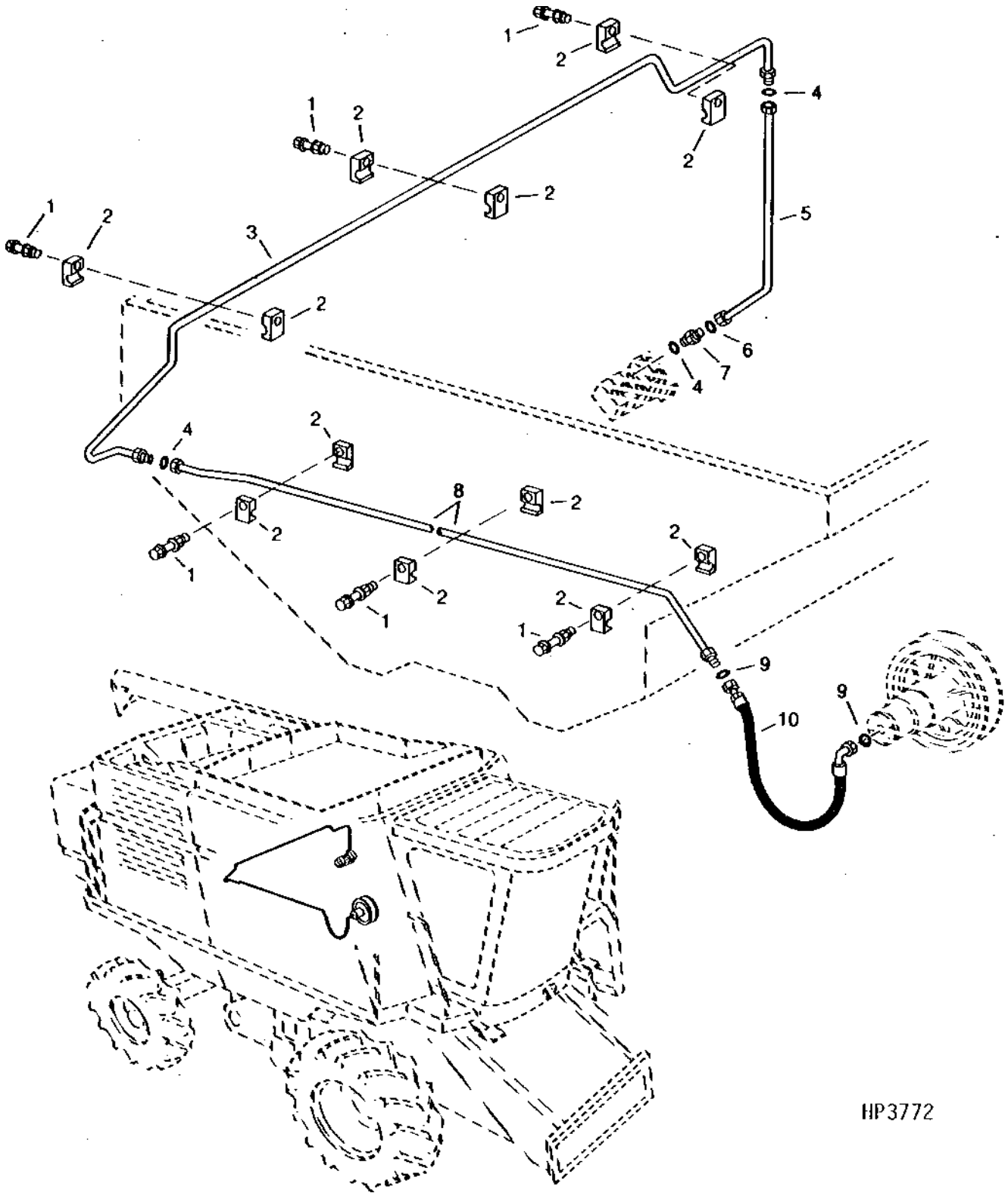
HYDRAULICS

HYDRAULIC PRESSURE LINES AND HOSES - CONTINUED

KEY	PART NO.	PART NAME	QTY	SERIAL NO.	REMARKS
1	R26375	O-RING	1		
2	38H1317	FITTING	1		
3	T77932	O-RING	3		
4	AH129244	OIL LINE	1		
5	H133659	BRACKET	1		
6	H109046	CLAMP	2		
7	H121168	PLATE	1		
8	19M8318	SCREW	1	M8 X 45	
	14M7298	FLANGE NUT	1	M8	
9	19M7801	SCREW	1	M8 X 60	
	14M7298	FLANGE NUT	1	M8	
10	H112567	PLATE	2		
11	H111730	CLAMP	2		
12	AH166953	HYDRAULIC HOSE	1	(SUB FOR AH128742)	
13	38H1162	ADAPTER	1		
14	R26906	O-RING	1		
15	R29936	O-RING	2		
16	38H1164	ADAPTER	1		
17	T76938	O-RING	2		
18	AH126240	HYDRAULIC HOSE	1	1-7/16" X 600 MM (23-1/2") X 1-7/16"	
19	38H1037	ELBOW FITTING	1		
20	03M7184	BOLT	4	M8 X 20 (RD. HEAD)	
	14M7396	LOCK NUT	4	M8	
21	AH126242	HYDRAULIC HOSE	1		
22	T76938	O-RING	2		
23	38H1164	ADAPTER	1		
24	R29936	O-RING	2		
25	38H1037	ELBOW FITTING	1		

4D7

CYLINDER SPEED HYDRAULIC LINES AND HOSES
HP3772 -UN-01JAN94



HP3772

4D8

HYDRAULICS

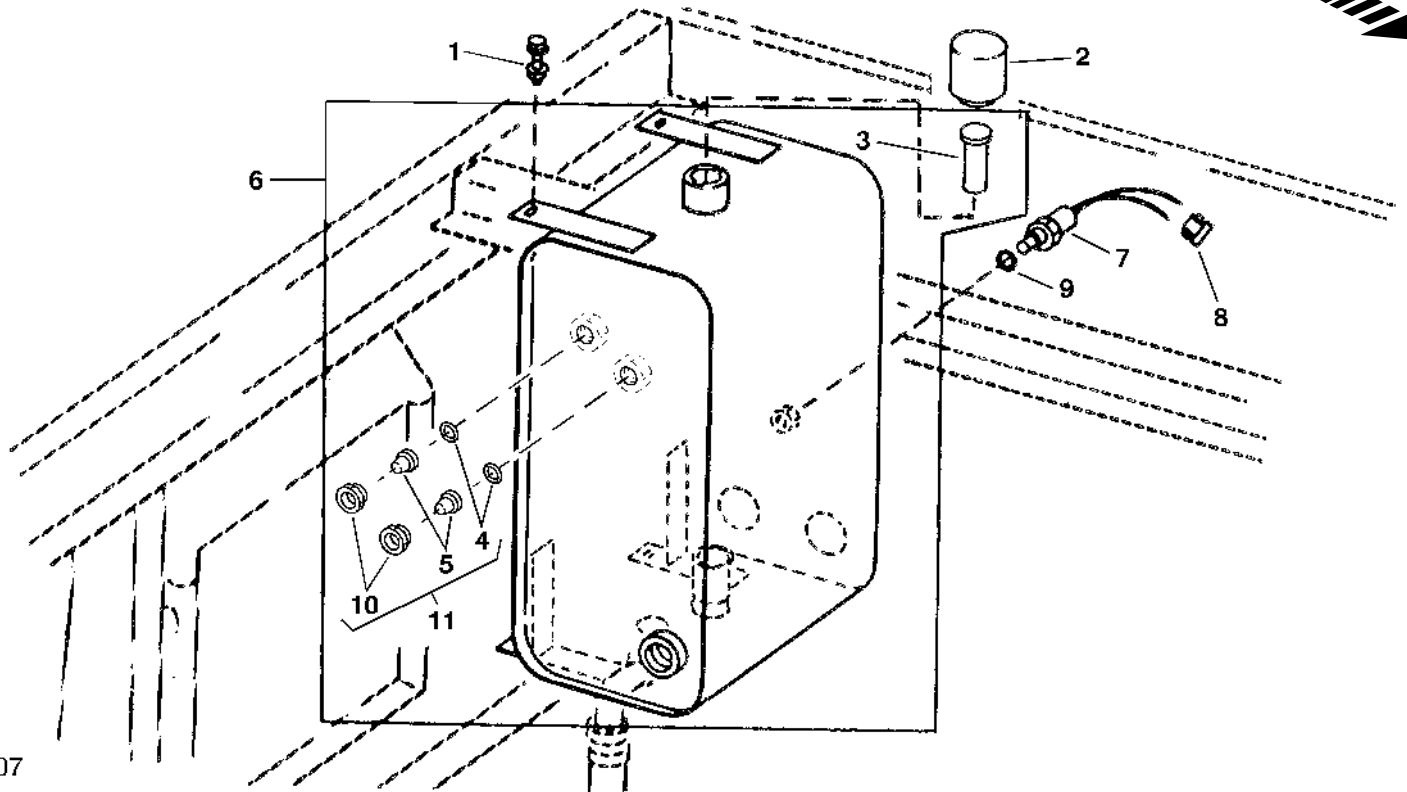
CYLINDER SPEED HYDRAULIC LINES AND HOSES - CONTINUED

KEY	PART NO.	PART NAME	QTY	SERIAL NO.	REMARKS
1	19M8317	SCREW	6		M8 X 40
	14M7298	FLANGE NUT	6		M8
2	H127589	CLAMP	12		
3	AH127892	HYDRAULIC LINE	1		
4	R26448	O-RING	3		11.887 X 1.981 MM (0.468" X 5/64")
5	AH128853	HYDRAULIC LINE	1		
6	T77613	O-RING	1		9.246 X 1.778 MM (0.364" X 0.070")
7	AH130629	FITTING	1	-640100	
	38H1160	ADAPTER	1	640101-	
8	AH128640	HYDRAULIC LINE	1		
9	T77814	O-RING	2		7.645 X 1.778 MM (0.301" X 0.070")
10	AH128639	HYDRAULIC HOSE	1		9/16" X 410 MM (16-1/4") X 9/16"

4D9

HYDRAULICS

HYDRAULIC / HYDROSTATIC OIL RESERVOIR AND MOUNTINGS
 HP7207 -UN-17OCT97



HP7207

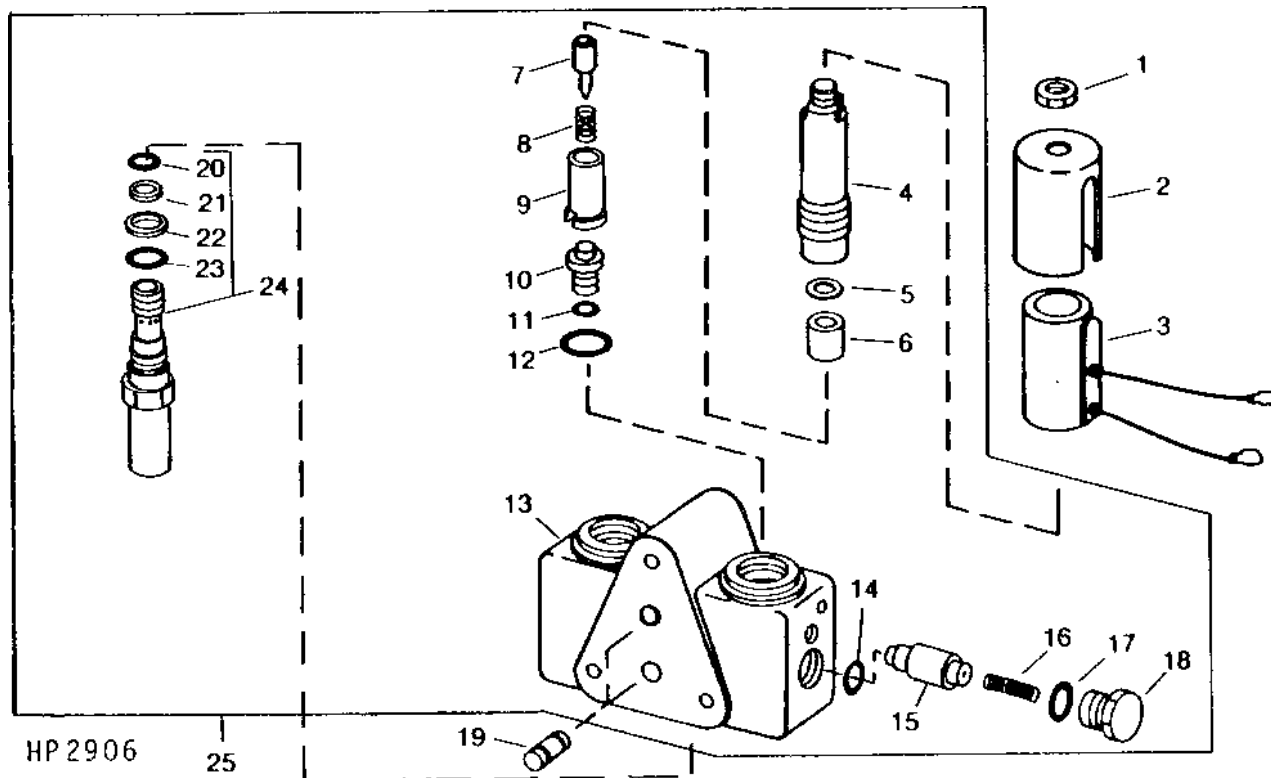
KEY	PART NO.	PART NAME	QTY	SERIAL NO.	REMARKS
1	19M7866	SCREW	4		M8 X 20
	14M7298	FLANGE NUT	4		M8
2	AH106695	CAP	1	-29SEP7	
	AZ49144	BUCKLE	1	29SEP7-	
3	AH131334	SCREEN	1		28 MM DIA.
	AH135064	STRAINER	1		35 MM DIA.
4	R375R	O-RING	2	-29SEP7	
	P48347	O-RING	2	29SEP7-	
5	AH87790	LENS	2	-29SEP7	(WITH O-RING)
	N209312	LENS	2		(SUB FOR N205021)
6	AH130168	HYDRAULIC RESERVOIR	1	-29SEP7	(LESS CAP AND HARDWARE) (SUB AH157973)
	AH157973	HYDRAULIC RESERVOIR	1	29SEP7-	
7	AH116105	SWITCH	1		
8	R78059	ELECTRICAL PLUG	1		PACK OF 40
9	R26375	O-RING	1		
10	N205022	RETAINER	2	29SEP7-	
11	AE41319	GAUGE	2	29SEP7-	

4D10

HYDRAULICS

SOLENOID CONTROL RELIEF VALVE MODULE

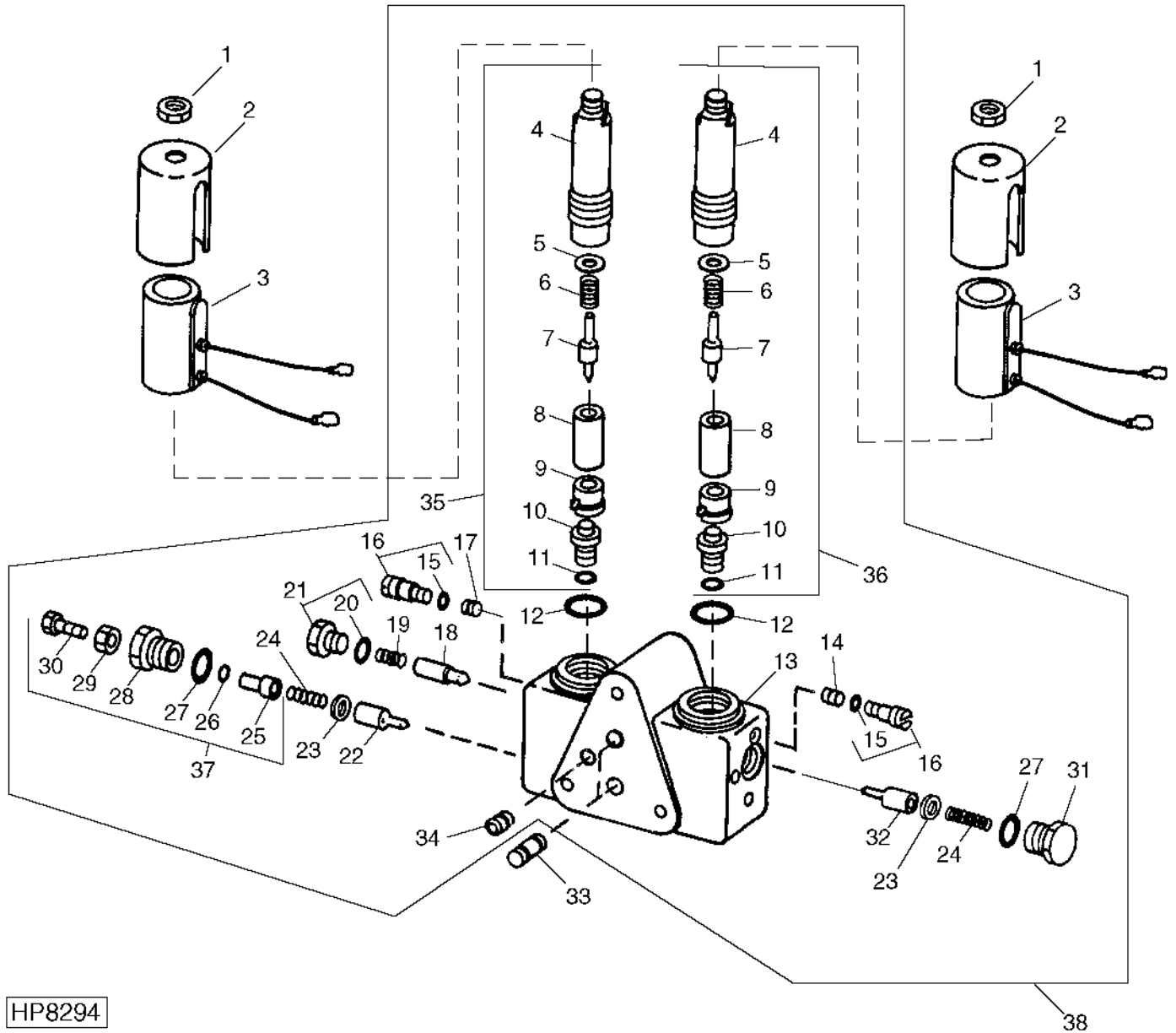
HP2906 -UN-01JAN94



KEY	PART NO.	PART NAME	QTY	SERIAL NO.	REMARKS
1	A4655R	NUT	1		12.700 MM (1/2")
2	E62942	COVER	1		
3	AH124731	ELECTRICAL COIL	1		
4	SLEEVE	1		(A) (A)
5	WASHER	1		(A) (B)
6	ARMATURE	1		(A) (A)
7	POPPET	1		(A) (B)
8	SPRING	1		(A) (B)
9	GUIDE	1		(A) (A)
10	ORIFICE	1		(A) (B)
11	U40962	O-RING	1		(A) 6.071 X 1.778 MM (0.239" X 0.070")
12	O-RING	1		(A) (B)
13	HOUSING	1		(NOT SERVICED) (SUB AH131327)
14	R27564	O-RING	1		
15	POPPET	1		
16	SPRING	1		
17	R26906	O-RING	1		19.177 X 2.464 MM (0.755" X 0.097")
18	PIPE PLUG	1		
19	AH131326	SEAL	2		(WITH O-RINGS AND BACKUPS)
20	SEAL	1		(B) (C)
21	O-RING	1		(B) (C)
22	O-RING	1		(B) (C)
23	SEAL	1		(B) (C)
24	AH147085	RELIEF VALVE	1		(SUB FOR AH132162) (CONTOUR MASTER)
25	AH147097	VALVE	1		(SUB FOR AH131327) UNLOAD (RELIEF) (CONTOUR MASTER)
..	AH134833	SEAL KIT	1		(SUB FOR AH131328 OR AE37060) INCLUDES PARTS MARKED (A)
..	AH148472	SEAL KIT	1		(SUB FOR AH132161) INCLUDES PARTS MARKED (B)

4D11

SOLENOID CONTROL VALVE FOR HEADER LIFT MODULE
HP8294 -UN-05MAR99



HP8294

4D12

HYDRAULICS

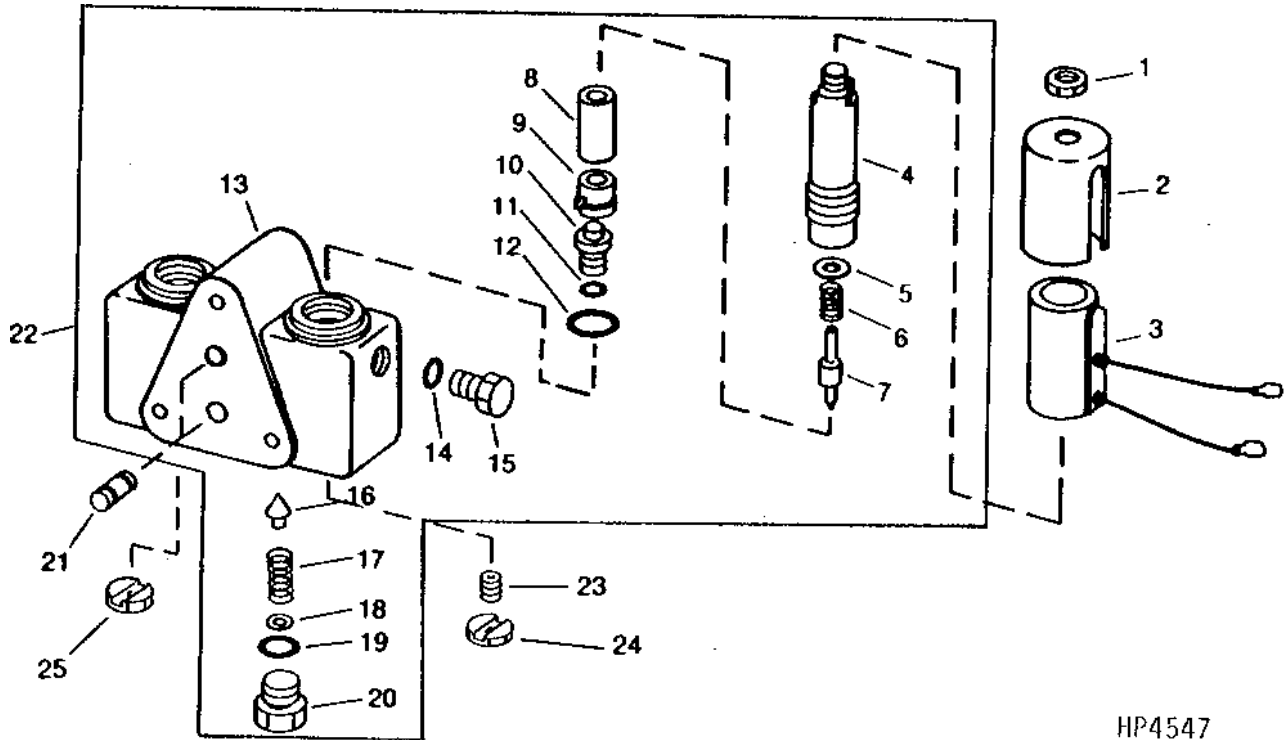
SOLENOID CONTROL VALVE FOR HEADER LIFT MODULE - CONTINUED

KEY	PART NO.	PART NAME	QTY	SERIAL NO.	REMARKS
1	A4655R	NUT	2		12.700 MM (1/2")
2	E62942	COVER	2		
3	AH124731	ELECTRICAL COIL	2		
4	SLEEVE	2		(B),(D)
5	WASHER	2		(C),(D)
6	E62089	SPRING	2		(C),(D)
7	POPPET	2		(C),(D)
8	ARMATURE	2		(B),(D)
9	SOLENOID	2		(B),(D)
10	ORIFICE	2		(C),(D)
11	U40962	O-RING	2		6.071 X 1.778 MM (0.239" X 0.070") (C),(D)
12	T75984	O-RING	2		20.345 X 1.778 MM (0.801" X 0.070") (D)
13	HOUSING	1		(SUB AH142450)
14	ORIFICE	1		
15	T26257	O-RING	2		2.565 X 1.778 MM (0.101" X 0.070")
16	AE38734	PLUG	2		
17	ORIFICE	1		
18	E66620	CHECK VALVE	1		(D)
19	E66619	SPRING	1		
20	R28782	O-RING	1		8.915 X 1.829 MM (0.351" X 0.072")
21	AN122518	FITTING	1		
22	H142183	CHECK VALVE	1		(D)
23	P51212	O-RING	2	-650100	10.820 X 1.778 MM (0.426" X 0.070")
	H148775	O-RING	2	650101-	10.668 X 13.716 X 1.524 MM (0.420" X 0.540" X 0.060") (D)
24	E66618	SPRING	2		
25	STOP	1		(A)
26	U42902	RING	1		(A)
27	R26448	O-RING	2		11.887 X 1.981 MM (0.468" X 5/64") (A)
28	CAP	1		(A)
29	14H850	NUT	1		1/4"
30	19H1914	CAP SCREW	1		1/4" X 1"
31	CAP	1		
32	POPPET	1		(SUB AH142450)
33	AH131326	SEAL	2		(WITH O-RING AND BACK-UP RING)
34	AH131405	SEAL	1		(WITH O-RING AND BACK-UP RING)
35	AE50995	POPPET	1		(SUB FOR AE49777) INCLUDES PARTS MARKED (C)
36	AH139240	KIT	1		(SUB AZ51851) (SUB FOR AH96359) INCLUDES PARTS MARKED (B)
	AZ51851	GUIDE	1		
37	AE38021	KIT	1		INCLUDES PARTS MARKED (A)
38	AH131404	VALVE	1	-650100	(SUB AH142450)
	AH142450	VALVE	1	-660321	(SUB AH147084)
	AH147084	VALVE	1	660322-	(CONTOUR MASTER)
..	AH151400	SEAL KIT	1	665505-	INCLUDES PARTS MARKED (D)

4D13

HYDRAULICS

SOLENOID CONTROL VALVE FOR REEL LIFT / VARIABLE AND CYLINDER SPEED
HP4547 -UN-01JAN94



HP4547

4D14

HYDRAULICS

SOLENOID CONTROL VALVE FOR REEL LIFT/VARIABLE AND CYLINDER SPEED-CONT.

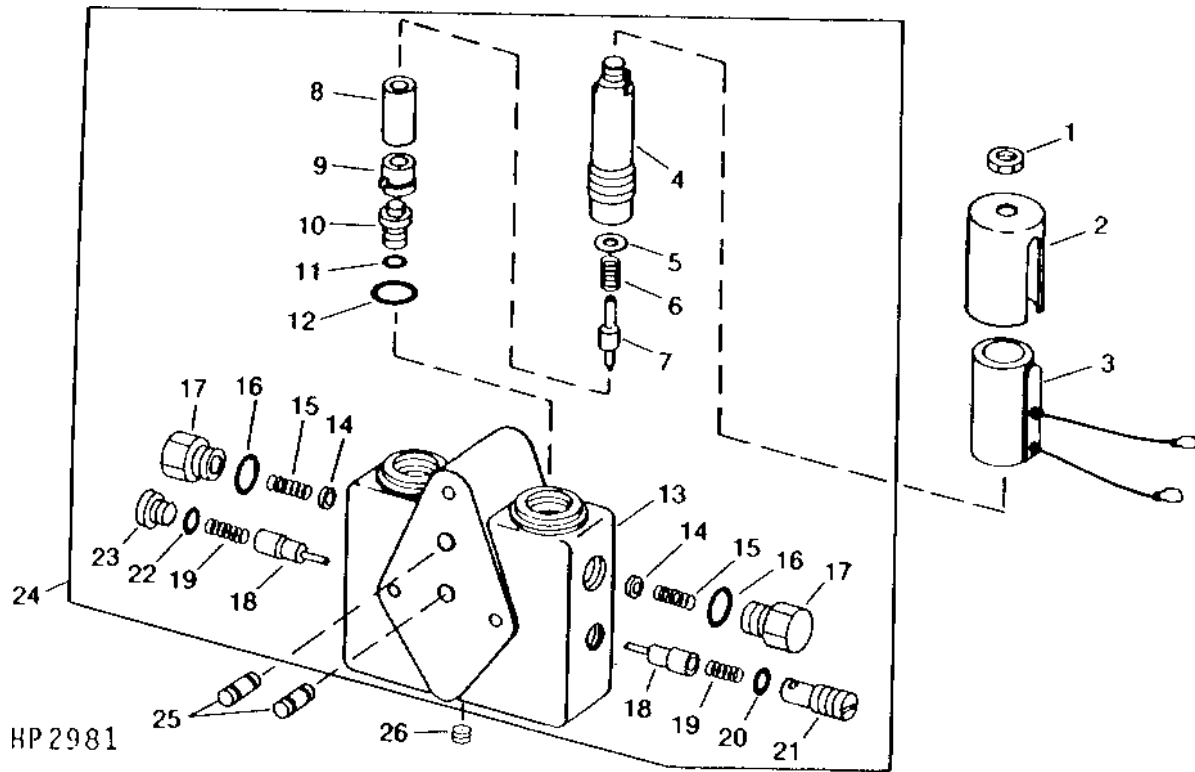
KEY	PART NO.	PART NAME	QTY	SERIAL NO.	REMARKS
1	A4655R	NUT	2		12.700 MM (1/2")
2	E62942	COVER	2		
3	AH124731	ELECTRICAL COIL	2		
4	SLEEVE	2		(A)
5	WASHER	2		(B)
6	E62089	SPRING	2		(B)
7	POPPET	2		(B)
8	ARMATURE	2		(A)
9	SOLENOID	2		(A)
10	ORIFICE	2		(B)
11	U40962	O-RING	2		(B)
12	T75984	O-RING	2		
13	HOUSING	2		(SUB AH131419)
14	R30903	O-RING	1		
15	K40994	FITTING	1		(NO LONGER AVAILABLE)
16	POPPET	1		(C)
17	SPRING	1		(C)
18	SHIM	AR		(C)
19	R28782	O-RING	1		(C)
20	PLUG	1		(C)
21	AH131326	SEAL	2		(WITH O-RING AND BACKUP RING)
22	AH131419	VALVE	1	-640100	(LESS COILS AND CONNECTING TUBES) (SUB AH139060, E62917, H145051, H145052, (2) 38H1160)
23	AH139060	VALVE	1	640101-	LESS COILS, CONNECTING TUBES AND ORIFICE
24	E62917	ORIFICE	1	640101-	.508 MM DIA.
25	H145052	APERTURE	1	640101-	.406 MM DIA.
25	H145051	APERTURE	1	640101-	.940 MM DIA.
..	AH139240	KIT	2		(SUB AZ51851) (SUB FOR AH96359) ARMATURE INCS PARTS MARKED (A)
..	AH131420	SEAT KIT	2		POPPET INCS PARTS MARKED (B)
..	AH131421	SEAT KIT	1		RELIEF INCS PARTS MARKED (C)
..	AZ51851	GUIDE	1		POPPET(INCLUDES PARTS MARKED (A))

4D15

SOLENOID CONTROL VALVE FOR AUGER SWING

(-650100)

HP2981 -UN-01JAN94



4D16

HYDRAULICS

SOLENOID CONTROL VALVE FOR AUGER SWING - CONTINUED
(-650100)

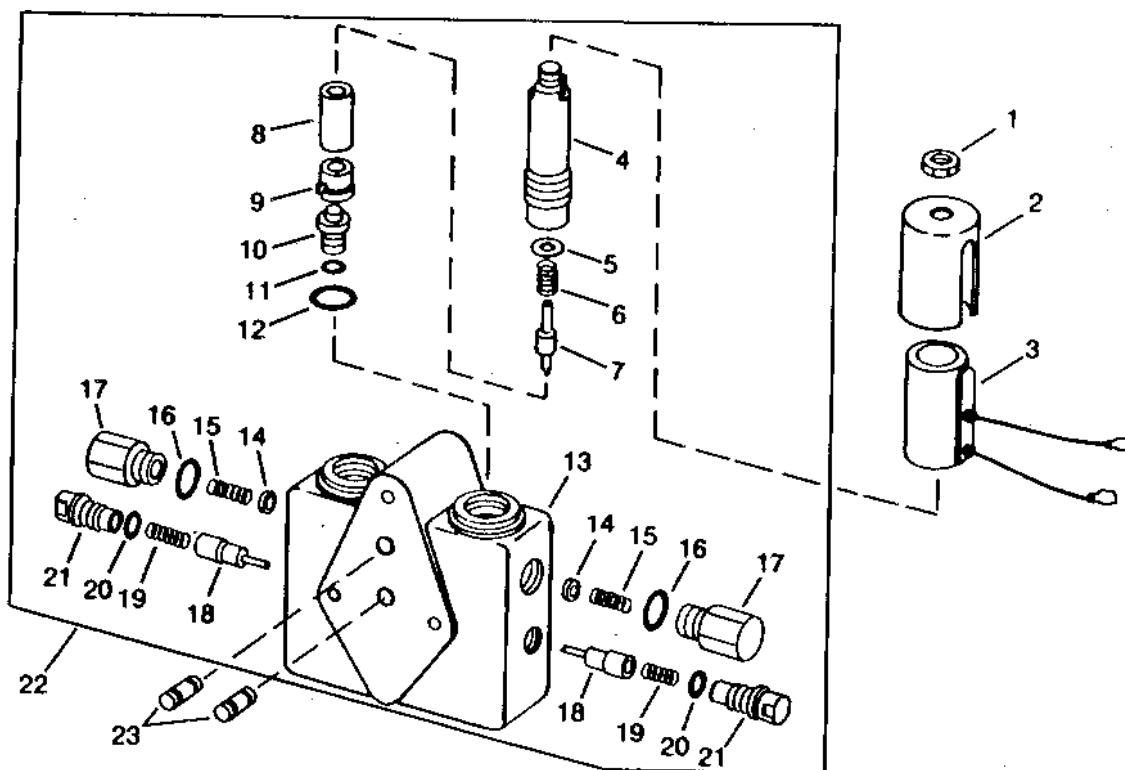
KEY	PART NO.	PART NAME	QTY	SERIAL NO.	REMARKS
1	A4655R	NUT	2		12.700 MM (1/2")
2	E62942	COVER	2		
3	AH124731	ELECTRICAL COIL	2		
4	SLEEVE	2		(A)
5	WASHER	2		(B)
6	E62089	SPRING	2		(B)
7	POPPET	2		(B)
8	ARMATURE	2		(A)
9	SOLENOID	2		(A)
10	ORIFICE	2		(B)
11	U40962	O-RING	2		(B)
12	T75984	O-RING	2		
13	HOUSING	1		(SUB AZ47075)
14	E62094	WASHER	2		7.620 X 17.526 X 2.388 MM
15	E62093	SPRING	2	-650383	(SUB AE49003)
	AE49003	KIT	2		
16	R26906	O-RING	2		
17	E62092	PIPE PLUG	2	-650383	(SUB AE49003)
	AE49003	KIT	2		
18	AH131460	CHECK VALVE	2		
19	SPRING	2		
20	U40745	O-RING	1		
21	CAP	1		
22	R26448	O-RING	1		
23	CAP	1		
24	AZ47075	VALVE	1	650175-	(SUB AH147086) (SUB FOR AH131461)
25	AH131326	SEAL	2		(WITH O-RING AND BACK-UP RING)
26	H135776	ORIFICE	1		1.067 MM DIA.
..	AH139240	KIT	2	640101-	(SUB FOR AH96359) (SUB AZ51851) ARMATURE (INCLUDES PARTS MARKED (A))
..	AE49777	POPPET	2		(SUB FOR (2) AE37848) POPPET (INCLUDES PARTS MARKED (B))
..	AZ51851	GUIDE	1		POPPET(INCLUDES PARTS MARKED (A))

4D17

HYDRAULICS

SOLENOID CONTROL VALVE FOR AUGER SWING

(650101-)
HP5293 -UN-01JAN94



HP5293

KEY	PART NO.	PART NAME	QTY	SERIAL NO.	REMARKS
1	A4655R	NUT	2		12.700 MM
2	E62942	COVER	2		
3	AH124731	ELECTRICAL COIL	2		
4	SLEEVE	2		
5	WASHER	2		
6	E62089	SPRING	2		
7	POPPET	2		
8	ARMREST	2		
9	SOLENOID	2		
10	ORIFICE	2		
11	U40962	O-RING	2		
12	T75984	O-RING	2		
13	HOUSING	1		(SUB AZ47075)
14	E62094	WASHER	2		7.620 X 17.526 X 2.388 MM
15	SPRING	2		(KIT AE49003)
16	R26906	O-RING	2		(KIT AE49003)
17	PIPE PLUG	2		(KIT AE49003)
18	CHECK VALVE	2		(SUB AH142731)
19	SPRING	2		(SUB AH142731)
20	U40745	O-RING	2		(SUB AH142731)
21	CAP	2		(SUB AH142731)
22	AZ47075	VALVE	1	-660321	(SUB AH147086)
	AH147086	VALVE	1		
23	AH131326	SEAL	2		
..	AH139240	KIT	2		(SUB AZ51851)
..	AE37848	KIT	2		
..	AZ51851	GUIDE	2		POPPET

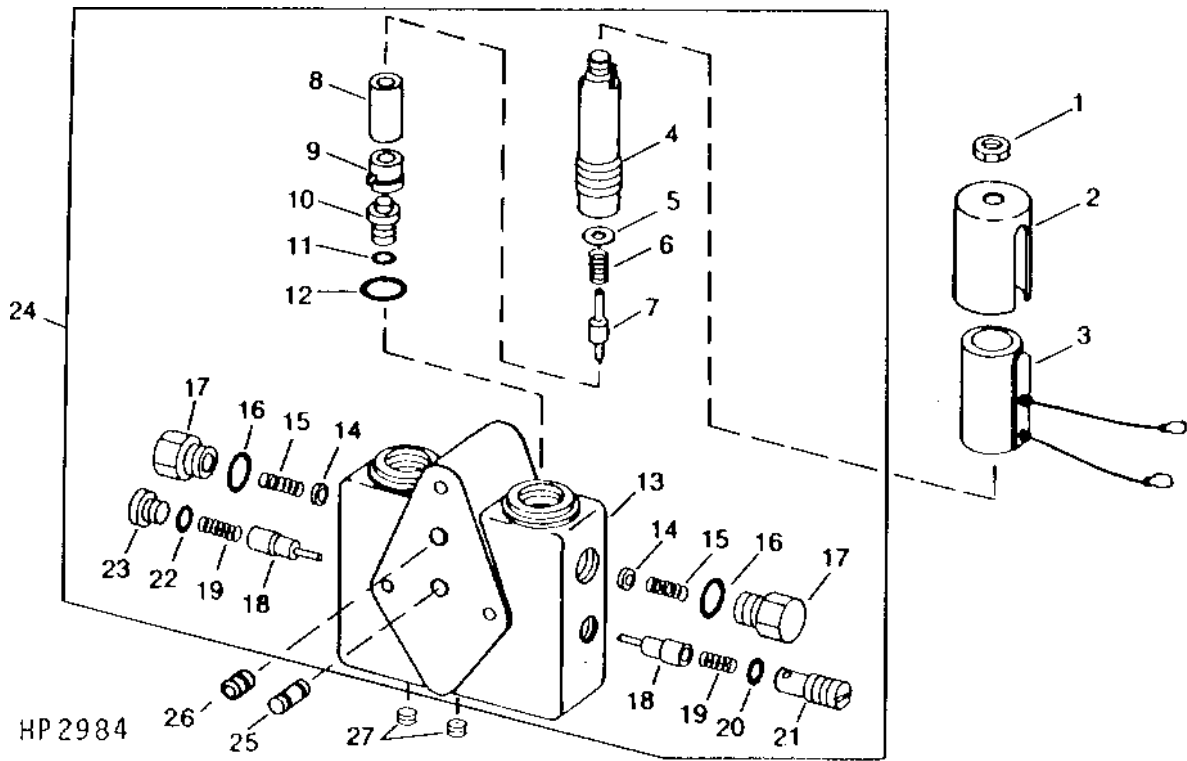
MEMORANDA

4D18

SOLENOID CONTROL VALVE FOR REEL FORE / AFT

(-650100)

HP2984 -UN-01JAN94



4D19

HYDRAULICS

SOLENOID CONTROL VALVE FOR REEL FORE / AFT - CONTINUED
(-650100)

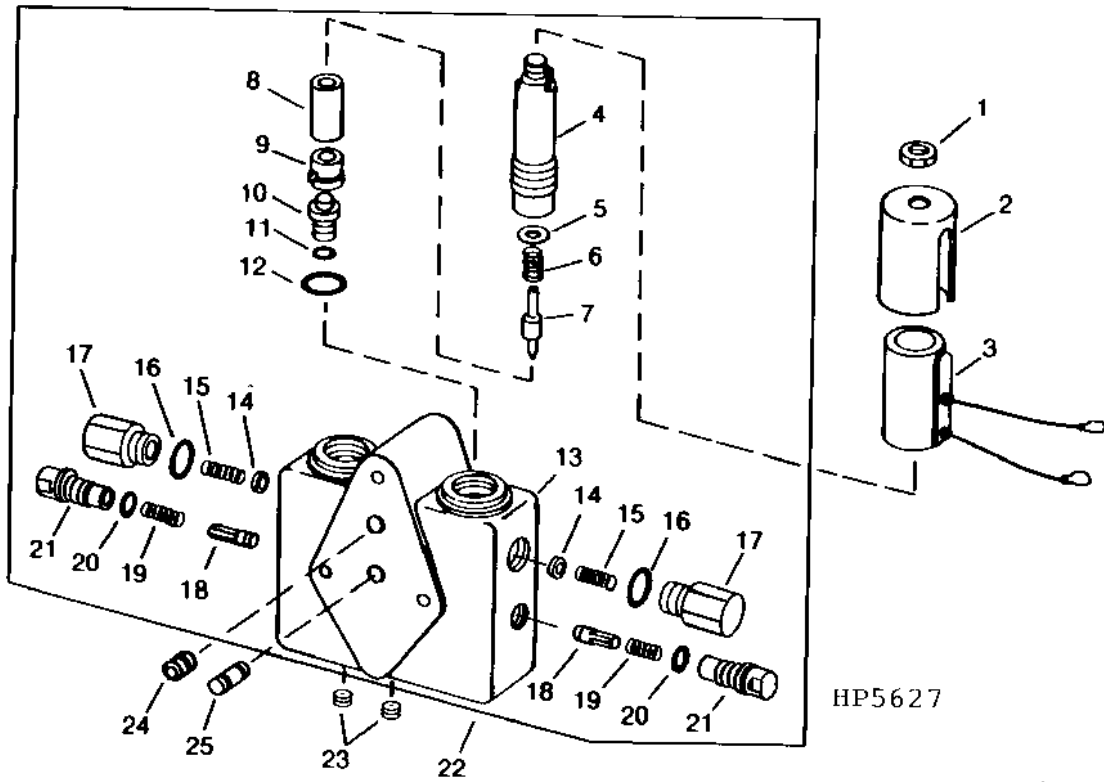
KEY	PART NO.	PART NAME	QTY	SERIAL NO.	REMARKS
1	A4655R	NUT	2		12.700 MM (1/2")
2	E62942	COVER	2		
3	AH124731	ELECTRICAL COIL	2		
4	SLEEVE	2		(A)
5	WASHER	2		(B)
6	E62089	SPRING	2		(B)
7	POPPET	2		(B)
8	ARMATURE	2		(A)
9	SOLENOID	2		(A)
10	ORIFICE	2		(B)
11	U40962	O-RING	2		(B)
12	T75984	O-RING	2		
13	HOUSING	1		(NOT SERVICED) (SUB AH131461)
14	E62094	WASHER	2		7.620 X 17.526 X 2.388 MM (0.300" X 0.690" X 3/32")
15	E62093	SPRING	2	-650142	(SUB AE49003)
	AE49003	KIT	2		
16	R26906	O-RING	2		
17	E62092	PIPE PLUG	2	-650142	
	AE49003	KIT	2	650143-	
18	AH131460	CHECK VALVE	2		
19	SPRING	2		
20	U40745	O-RING	1		
21	CAP	1		
22	R26448	O-RING	1		
23	CAP	1		
24	AH131461	SOLENOID VALVE	1	-650142	(LESS COILS AND CONNECTING TUBES)
	AZ47075	VALVE	1	650143-	
25	AH131405	SEAL	1		(WITH O-RING AND BACK-UP RING)
26	AH131326	SEAL	1		(WITH O-RING AND BACK-UP RING)
27	H135777	ORIFICE	2		0.76 MM DIA.
..	AH139240	KIT	2		(SUB AZ51851) (SUB FOR AH96359) ARMATURE INCS PARTS MARKED (A)
..	AZ51851	GUIDE	2		POPPET(INCLUDES PARTS MARKED (A))
..	AE37848	KIT	2		POPPET INCS PARTS MARKED (B)

4D20

HYDRAULICS

SOLENOID CONTROL VALVE FOR REEL FORE / AFT AND AUGER SWING

(650101-)
HP5627 -UN-01JAN94



4D21

HYDRAULICS

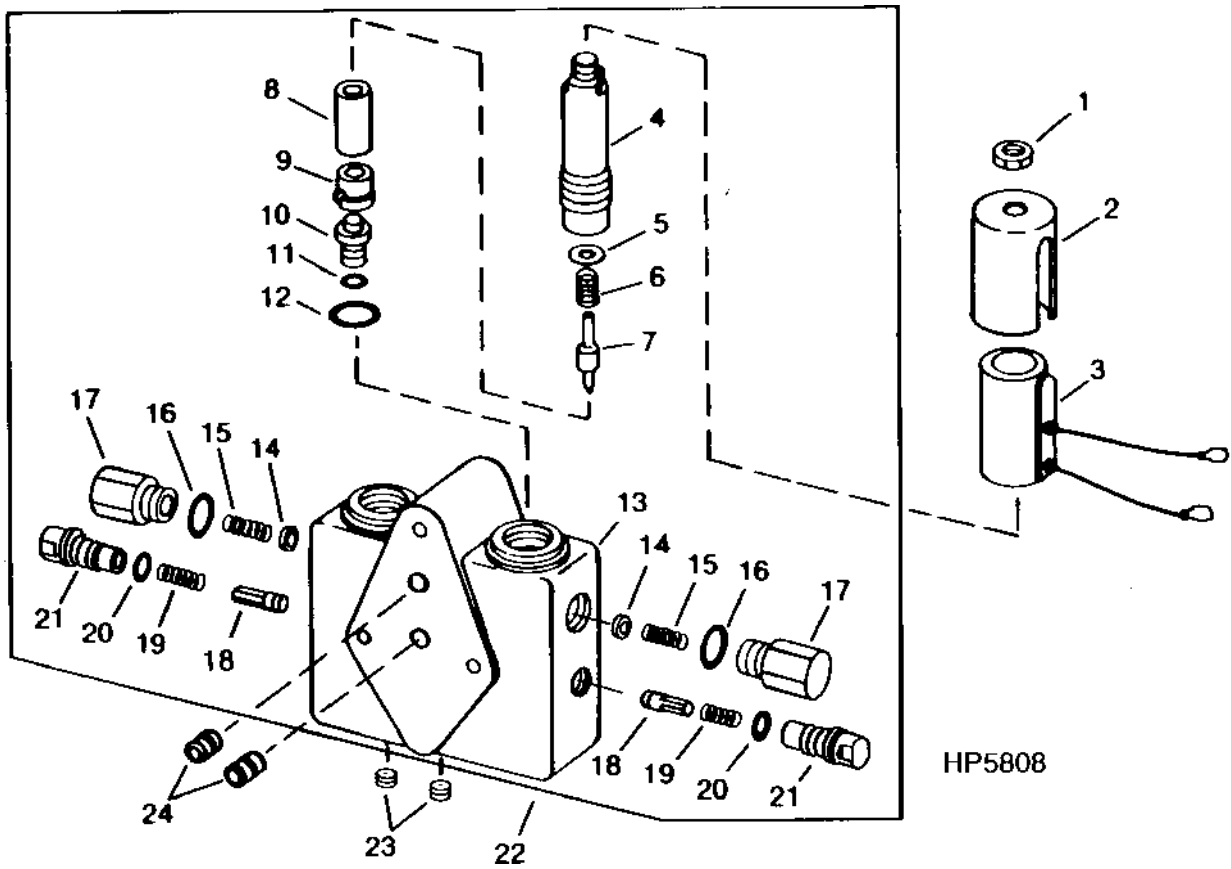
SOLENOID CONTROL VALVE FOR REEL FORE / AFT AND AUGER SWING - CONTINUED
(650201-)

KEY	PART NO.	PART NAME	QTY	SERIAL NO.	REMARKS
1	A4655R	NUT	2		12.700 MM (1/2")
2	E62942	COVER	2		
3	AH124731	ELECTRICAL COIL	2		
4	SLEEVE	2		(A) (A)
5	WASHER	2		(A) (B) (B)
6	SPRING	2		(A) (B) (B)
7	POPPET	2		(A) (B) (B)
8	ARMATURE	2		(A) (A)
9	SOLENOID	2		(A) (A)
10	ORIFICE	2		(A) (B) (B)
11	O-RING	2		(B) (B)
12	O-RING	2		(A)
13	HOUSING	1		
14	E62094	WASHER	2		7.620 X 17.526 X 2.388 MM (0.300" X 0.690" X 3/32")
15	SPRING	2		(C)
16	O-RING	2		(C)
17	PIPE PLUG	2		(C)
18	CHECK VALVE	2		(D)
19	SPRING	2		(D)
20	O-RING	2		(D)
21	CAP	2		
22	AH147086	VALVE	1		(SUB FOR AZ47075)
23	H135777	ORIFICE	2		0.76 MM DIA.
24	AH131326	SEAL	2		(WITH O-RING AND BACK-UP RING)
25	AH131405	SEAL	1		(WITH O-RING AND BACK-UP RING)
..	AZ51581	SHIELD	1		(SUB FOR AH139240) INCLUDES PARTS MARKED (A)
..	AE49777	POPPET	1		INCLUDES PARTS MARKED (B)
..	AE49003	KIT	1		INCLUDES PARTS MARKED (C)
..	AH142731	KIT	1		INCLUDES PARTS MARKED (D)

4D22

SOLENOID CONTROL VALVE FOR CONTOUR MASTER

(660101-)
HP5808 -UN-14OCT94



4D23

HYDRAULICS

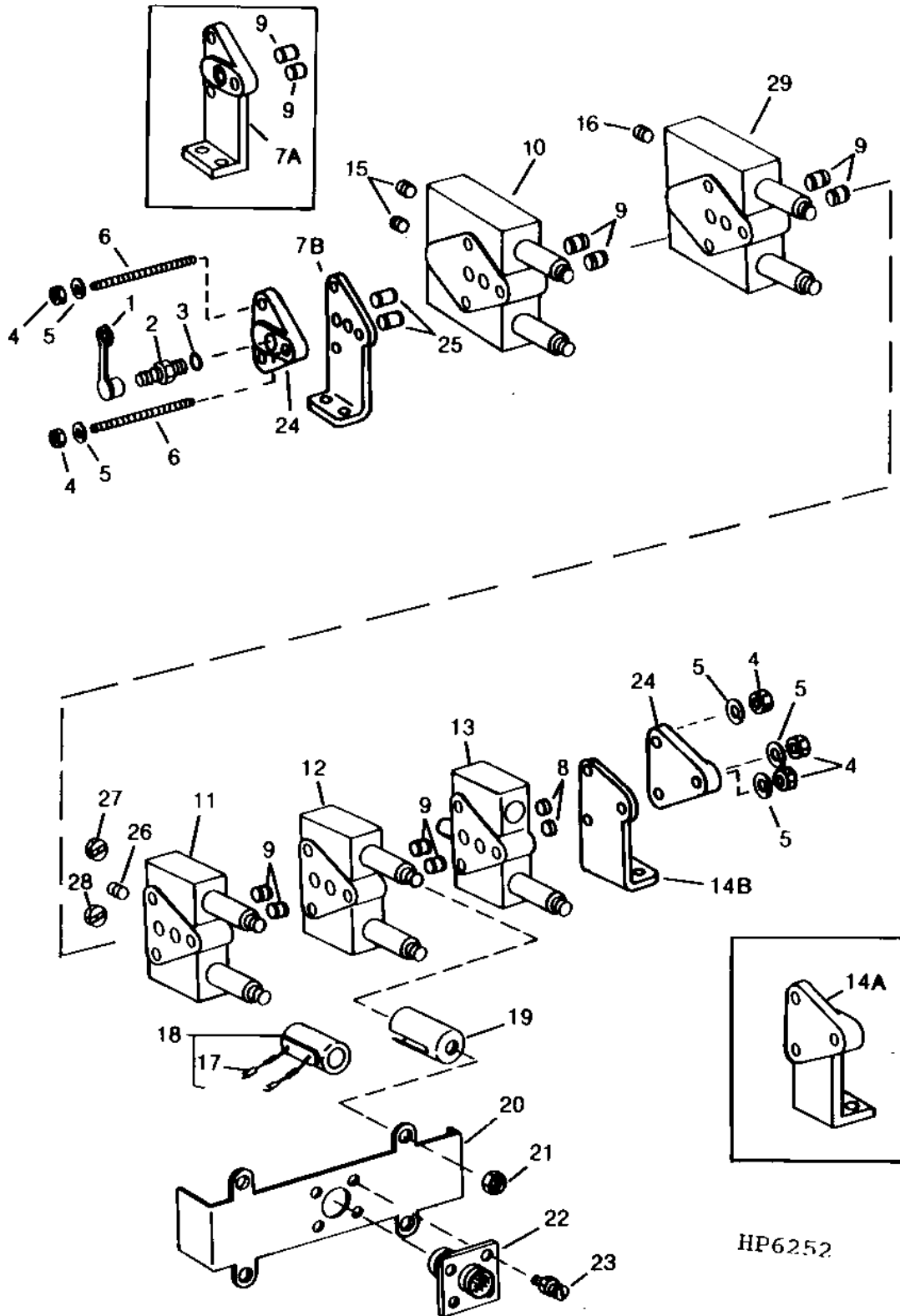
SOLENOID CONTROL VALVE FOR CONTOUR MASTER - CONTINUED
(660101-)

KEY	PART NO.	PART NAME	QTY	SERIAL NO.	REMARKS
1	A4655R	NUT	2		12.700 MM (1/2")
2	E62942	COVER	2		
3	AH124731	ELECTRICAL COIL	2		
4	SLEEVE	2		(A)
5	WASHER	2		(A) (B)
6	E62089	SPRING	2		(A) (B)
7	POPPET	2		(A) (B)
8	ARMATURE	2		(A)
9	SOLENOID	2		(A)
10	ORIFICE	2		(A) (B)
11	U40962	O-RING	2		(B)
12	T75984	O-RING	2		(A)
13	HOUSING	1		(USE AZ47075)
14	E62094	WASHER	2		7.620 X 17.526 X 2.388 MM (0.300" X 0.690" X 3/32")
15	SPRING	2		(C)
16	R26906	O-RING	2		(C) 19.177 X 2.464 MM (0.755" X 0.097")
17	PIPE PLUG	2		(C)
18	CHECK VALVE	2		(D)
19	SPRING	2		(D)
20	U40745	O-RING	2		(D) 15.545 X 2.616 MM (0.612" X 0.103")
21	CAP	2		
22	AZ47075	VALVE	1	-660321	(SUB AH147086) (LESS COILS AND CONNECTING TUBES)
	AH147086	VALVE	1		
23	H149804	ORIFICE	2		
24	AH131326	SEAL	2		(WITH O-RING AND BACK-UP RING)
..	AH139240	KIT	2		(SUB AZ51851) ARMATURE (INCLUDES PARTS MARKED (A))
..	AE49777	POPPET	2		POPPET (INCLUDES PARTS MARKED (B))
..	AE49003	KIT	2		SPRING KIT (INCLUDES PARTS MARKED (C))
..	AH142731	KIT	2		CHECK VALVE KIT (INCLUDES PARTS MARKED (D))
..	AZ51851	GUIDE	2		POPPET(INCLUDES PARTS MARKED (A))

4D24

HYDRAULICS

SOLENOID CONTROL VALVE MODULE ASSEMBLY AND MOUNTINGS
HP6252 -UN-04JAN96



HP6252

4D25

HYDRAULICS

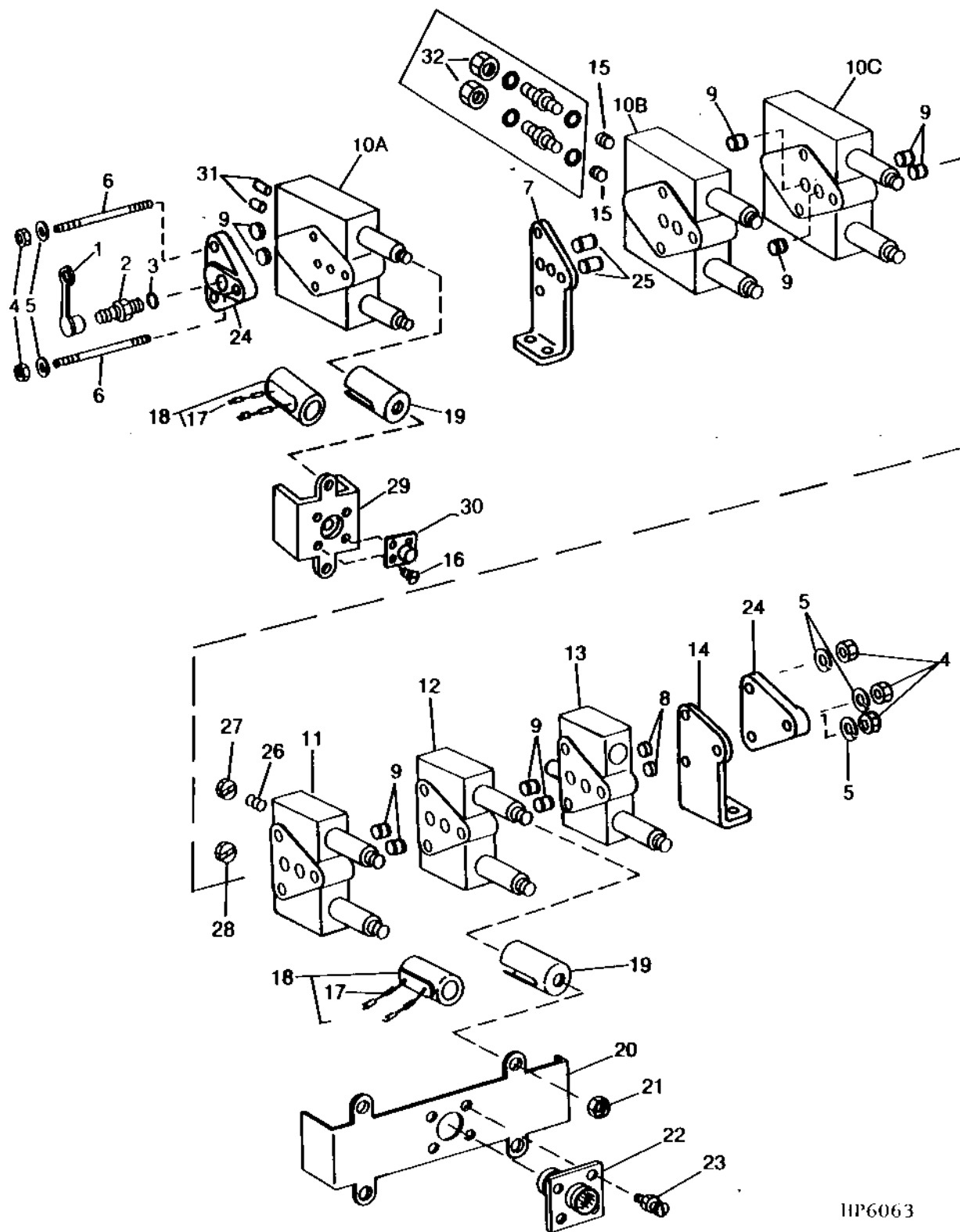
SOLENOID CONTROL VALVE MODULE ASSEMBLY AND MOUNTINGS - CONTINUED

KEY	PART NO.	PART NAME	QTY	SERIAL NO.	REMARKS
1	R77175	COVER	1		
2	AH125760	HYD. QUICK-CONNECT COUPLER	1		
3	R26448	O-RING	1		
4	14H786	NUT	6		1/4"
5	12H297	LOCK WASHER	6		1/4"
6	E62892	STUD	3		1/4" X 11-3/4" 1/4" X 11-3/4" (CUT TO LENGTH)
7A	H135897	BRACKET	1	-635100	(SUB H139513 AND H139515 AND (2) AH134733)
7B	H139513	BRACKET	1	635101-	
8	AH131405	SEAL	3		
9	AH131326	SEAL	AR		(WITH 5 MODULES-USE 9; WITH 4 MODULES-USE 7)
10	AH131461	SOLENOID VALVE	AR	-650174	(REEL FORE/AFT) (SUB AZ47075)
	AZ47075	VALVE	AR	-660321	(SUB AH147086) (REEL FORE/AFT)
	AH147086	VALVE	AR		REEL FORE/AFT
11	AH131419	VALVE	1	-640100	(REEL LIFT/CYLINDER SPEED) (SUB AH139060 AND E62917 AND H145051 AND H145052 AND (2) 38H1160)
	AH139060	VALVE	1	640101-	(REEL LIFT/CYLINDER SPEED)
12	AH142450	VALVE	1	-660321	(HEADER LIFT) (SUB AH147084) (SUB FOR AH131404)
	AH147084	VALVE	1	660322-	(CONTOUR MASTER)
13	AH131327	VALVE	1	-660321	(RELIEF VALVE) (SUB AH147097)
	AH147097	VALVE	1	660322-	UNLOAD (RELIEF) (CONTOUR MASTER)
14A	BRACKET	1	-635100	(SUB H139512 AND H139515)
14B	H139512	BRACKET	1	635101-	
15	H135777	ORIFICE	2		0.76MM DIA.
16	H135776	ORIFICE	1		1.06MM DIA.
17	R77464	PIN CONTACT	AR		(PACKAGE OF 50)
18	AH124731	ELECTRICAL COIL	AR		(WITH 5 MODULES-USE 9; WITH 4 MODULES-USE 7)
19	E62942	COVER	AR		(WITH 5 MODULES-USE 9; WITH 4 MODULES-USE 7)
20	H135898	COVER	1		
21	A4655R	NUT	AR		(WITH 5 MODULES-USE 9; WITH 4 MODULES-USE 7)
22	57M7199	RECEPTACLE	1		(24 WAY)
23	21H1290	SCREW	4		0.138" X 1/2"
	14H1026	NUT	4		0.138"
24	H139515	MANIFOLD	2	635101-	
25	AH134733	SEAL	2	635101-	
26	E62917	ORIFICE	1	640101-	.508 MM DIA.
27	H145052	APERTURE	1	640101-	.406 MM DIA.
28	H145051	APERTURE	1	640101-	.940 MM DIA.
29	AZ47075	VALVE	1	-660321	(SUB AH147086) (AUGER EXTEND/RETRACT)
	AH147086	VALVE	1		

4E1

SIX STACK SOLENOID CONTROL VALVE MODULE ASSEMBLY AND MOUNTINGS

(660101-)
HP6063 -UN-27APR95



HP6063

4E2

HYDRAULICS

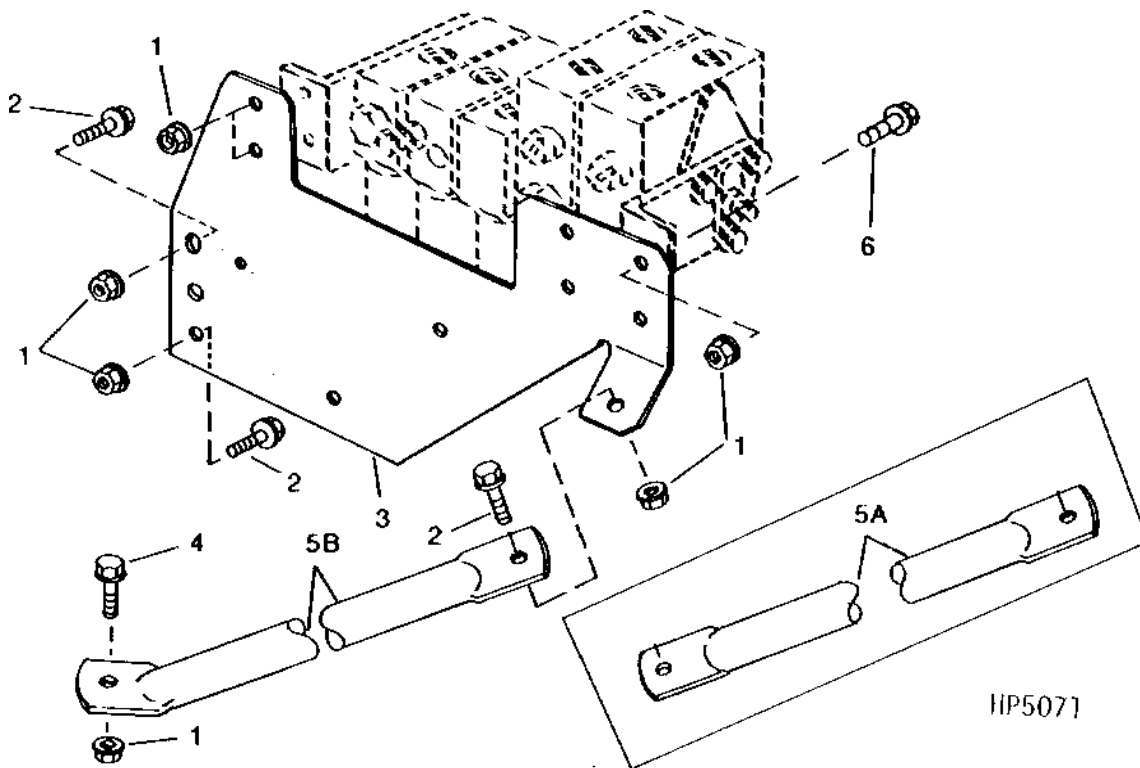
SIX STACK SOLENOID CONTROL VALVE MODULE ASSEMBLY AND MOUNTINGS - CONTINUED
(660101-)

KEY	PART NO.	PART NAME	QTY	SERIAL NO.	REMARKS
1	R77175	COVER	1		
2	AH125760	HYD. QUICK-CONNECT COUPLER	1		
3	R26448	O-RING	1		
4	14H786	NUT	6		6.350 MM (1/4")
5	12H297	LOCK WASHER	6		6.350 MM (1/4")
6	H149803	TIE ROD	3		1/4" X 13-1/2" (CUT TO LENGTH)
7	H139513	BRACKET	1		(USE WITH H139515 AND (2) AH134733)
8	AH131405	SEAL	2		
9	AH131326	SEAL	10		
10A	AZ47075	VALVE	1	-660321	(SUB AH147086) CONTOUR MASTER
	AH147086	VALVE	1		CONTOUR MASTER
10B	AZ47075	VALVE	1	-660321	(SUB AH147086) REEL FORE/AFT
	AH147086	VALVE	1		REEL FORE/AFT
10C	AZ47075	VALVE	1	-660321	(SUB AH147086) AUGER SWING
	AH147086	VALVE	1		AUGER SWING
11	AH139060	VALVE	1		(USE WITH E62917, H145051, H145052 AND (2) 38H1160) REEL LIFT/CYLINDER SPEED
12	AH142450	VALVE	1	-660321	(SUB AH147084) HEADER LIFT
	AH147084	VALVE	1		(CONTOUR MASTER)
13	AH131327	VALVE	1	-660321	(SUB AH147097) RELIEF VALVE
	AH147097	VALVE	1		UNLOAD (RELIEF) (CONTOUR MASTER)
14	H139512	BRACKET	1		(USE WITH H139515)
15	H135777	ORIFICE	2		0.76 MM DIA.
16	M71770	SCREW	4		
17	R77464	PIN CONTACT	AR		(PKG. OF 50)
18	AH124731	ELECTRICAL COIL	11		
19	E62942	COVER	11		
20	H135898	COVER	1		
21	A4655R	NUT	11		
22	57M7199	RECEPTACLE	1		(24 WAY)
23	21H1290	SCREW	4		3.505 X 12.700 MM (0.138" X 1/2")
	14H1026	NUT	4		3.505 MM (0.138")
24	H139515	MANIFOLD	2		
25	AH134733	SEAL	2		
26	E62917	ORIFICE	1		0.508 MM DIA.
27	H145052	APERTURE	1		0.406 MM DIA.
28	H145051	APERTURE	1		0.940 MM DIA.
29	H150062	COVER	1		
30	RECEPTACLE	1		(4 PIN CONNECTOR)
31	H149804	ORIFICE	2		1.19 MM DIA.
32	38H1415	FITTING PLUG	2		(W/CONTOUR MASTER) (W/O REEL FORE/AFT)

4E3

SOLENOID CONTROL VALVE BRACKETS

HP5071 -UN-01JAN94

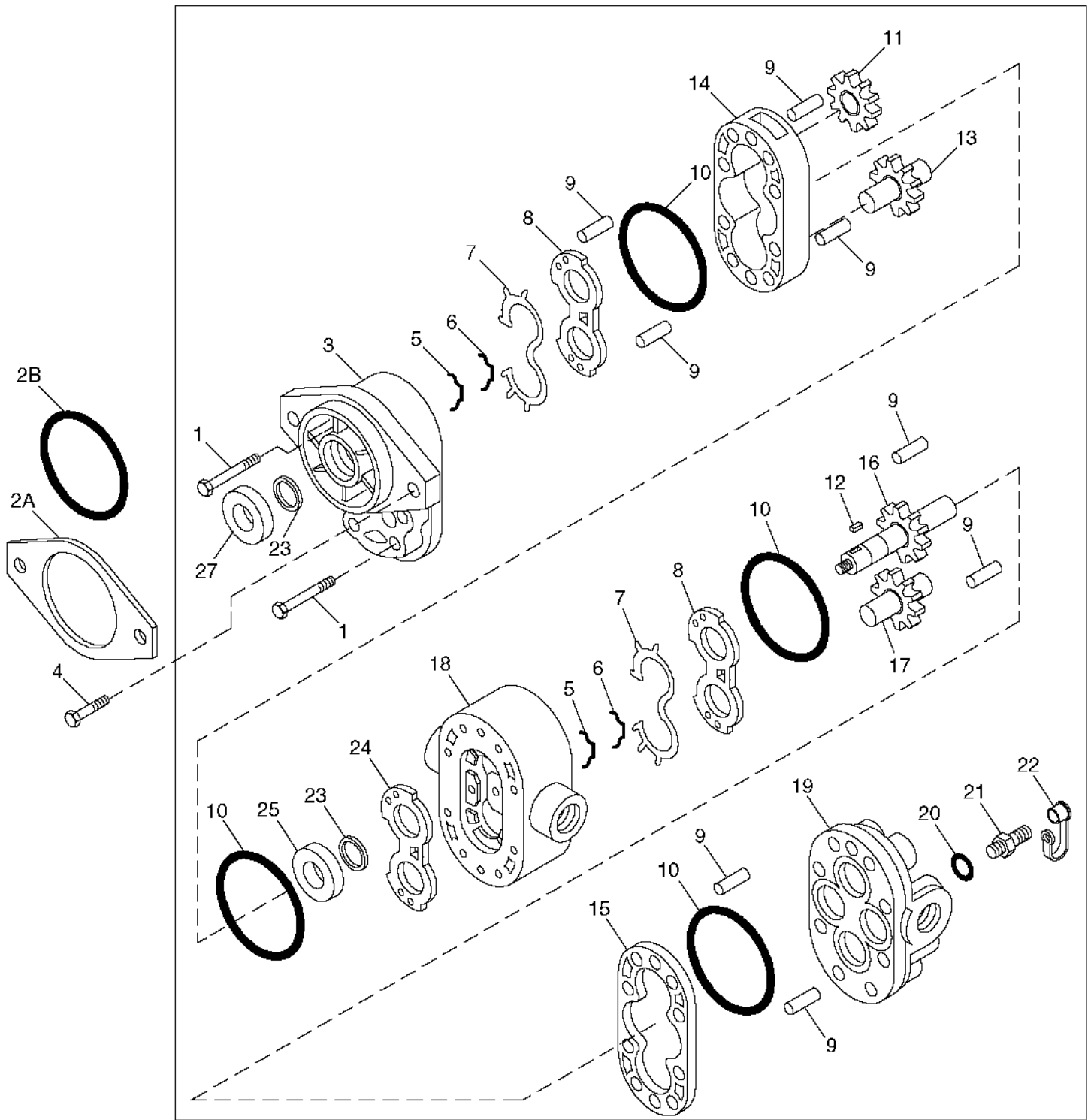


KEY	PART NO.	PART NAME	QTY	SERIAL NO.	REMARKS
1	14M7298	FLANGE NUT	8		M8
2	19M7866	SCREW	3	-640816	M8 X 20
	19M7866	SCREW	2	640816-	
3	H159291	BRACKET	1		(SUB H166148) (SUB FOR H132853)
	H166148	BRACKET	1		
4	19M7803	SCREW	1		M8 X 70
5A	H132837	BRACE	1	-640603	(SUB H146535)
5B	H146535	SUPPORT	1	-29SEP7	
	H158638	BRACE	1	29SEP7-	
6	19M7897	SCREW	4		M8 X 35

MEMORANDA

4E4

MAIN HYDRAULIC PUMP
HP9204 -UN-25OCT99



HP9204

4E5

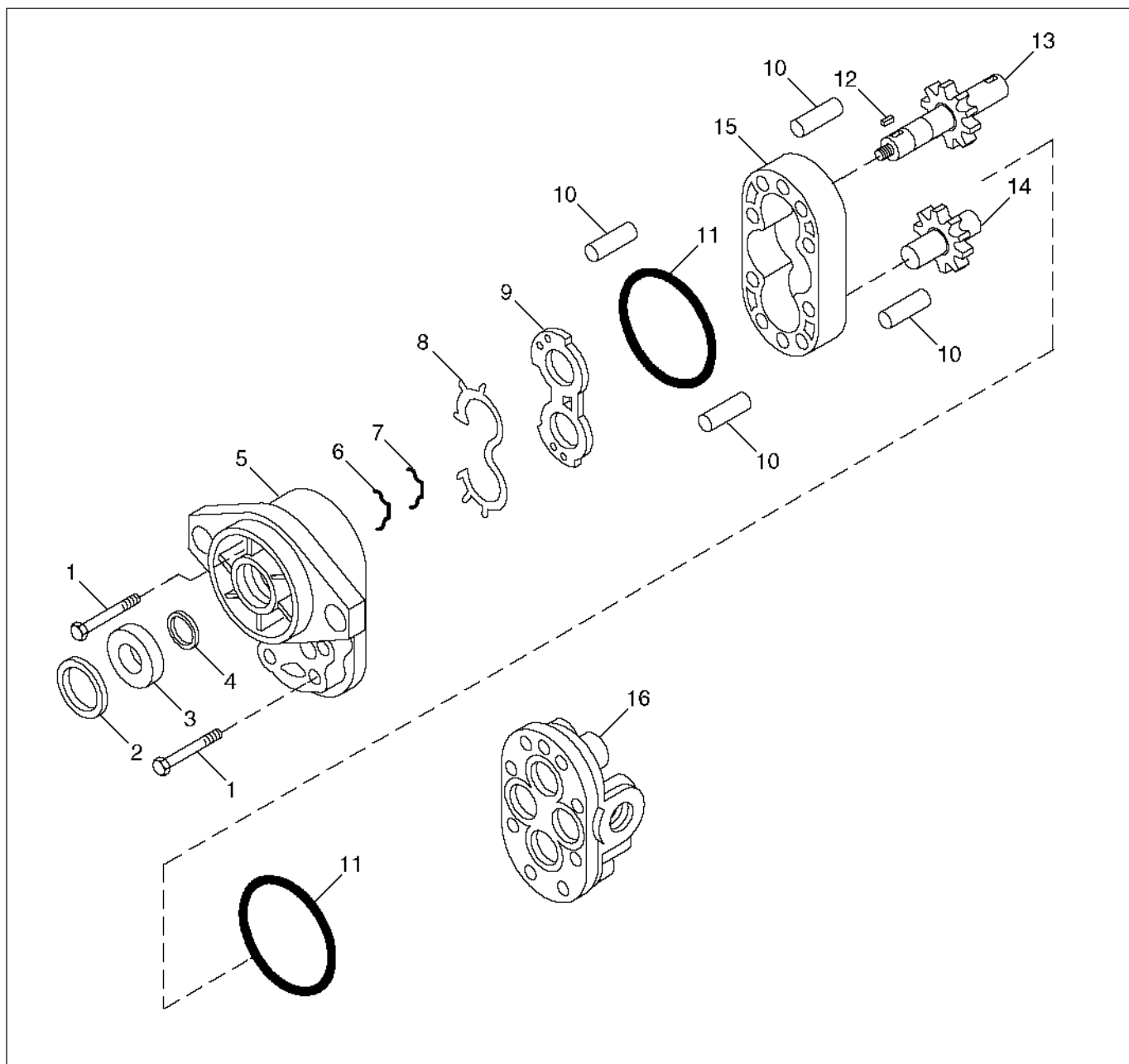
HYDRAULICS

MAIN HYDRAULIC PUMP - CONTINUED

KEY	PART NO.	PART NAME	QTY	SERIAL NO.	REMARKS
1	GG310-30411 H135569	SCREW CAP SCREW	8 8		7.925 X 133.350 MM (5/16" X 5-1/4") (PLANETARY FINAL DRIVE)
2A	H131121	GASKET	1	-670000	
2B	E65288	O-RING	1	670001-	
3	PLATE	1		
4	19H1732 12H304	CAP SCREW LOCK WASHER	2 2		3/8" X 1-1/4" 3/8"
5	SEAL	2		(A)
6	GASKET	2		(A)
7	GASKET	2		(A)
8	WEAR PLATE	2		(A)
9	H116213	DOWEL PIN	8		
10	H80821	O-RING	4		(A) 75.921 X 1.778 MM (2.989" X 0.070")
11	PARALLEL SHAFT GEAR DRIVE	1		
12	H125929 H135566	SHAFT KEY KEY	1 1		(PLANETARY FINAL DRIVE)
13	GEAR	1		
14	HOUSING	1		
15	LINK BODY	1		
16	GEAR	1		
17	GEAR	1		
18	PLATE	1		
19	PLATE	1		
20	R26448	O-RING	1		(A) 11.887 X 1.981 MM (0.468" X 5/64")
21	AH125760	HYD. QUICK-CONNECT COUPLER	1		
22	R77175	COVER	1		
23	M48869	WASHER	2		(A) 19.215 X 25.337 X 0.813 MM (0.757" X 0.998" X 0.032")
24	PLATE	1		(A)
25	SEAL	1		(A)
26	AH131182	HYDRAULIC PUMP	1		(CESSNA NO. R25380 - RAG)- REMANUFACTURED
27	SEAL	1		(A)
..	AH162145	SEAL KIT	1		(SUB FOR AH131181) INCLUDES PARTS MARKED (A)

4E6

REEL / BELT PICKUP DRIVE PUMP
HP8488 -UN-20APR99



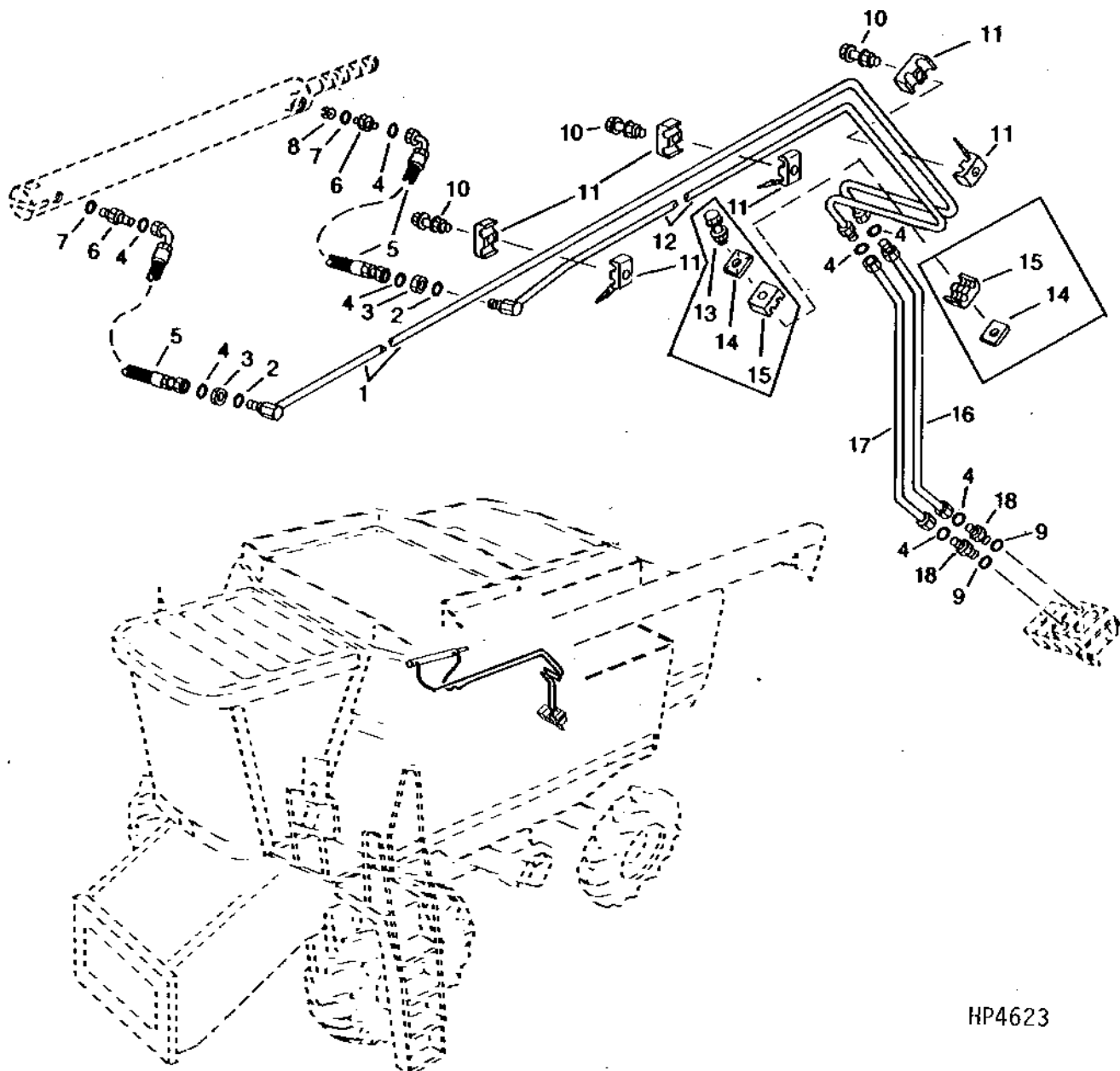
HP8488

REEL / BELT PICKUP DRIVE PUMP - CONTINUED

KEY	PART NO.	PART NAME	QTY	SERIAL NO.	REMARKS
1	E61791	BOLT	8		7.925 X 69.850 MM (5/16" X 2-3/4")
2	M41029	SNAP RING	1		(A)
3	AH131842	SEAL	1		(A)
4	M48869	WASHER	1		(A) 19.215 X 25.337 X 0.813 MM (0.757" X 0.998" X 0.032")
5	PLATE	1		
6	SEAL	1		(A)
7	GASKET	1		(A)
8	GASKET	1		(A)
9	WEAR PLATE	1		(A)
10	H116213	DOWEL PIN	4		
11	H80821	O-RING	2		(A) 75.921 X 1.778 MM (2.989" X 0.070")
12	N34986	SHAFT KEY	1		
13	AH131304	SHAFT	1		
14	GEAR	1		
15	HOUSING	1		
16	PLATE	1		
17	AH131178	HYDRAULIC PUMP	1		(CESSNA NO. R25305-RAK) - REMANUFACTURED
..	AH131176	SEAL KIT	1		INCLUDES PARTS MARKED (A)

UNLOADING AUGER SWING CYLINDER LINES AND HOSES

HP4623 -UN-01JAN94



HP4623

UNLOADING AUGER SWING CYLINDER LINES AND HOSES - CONTINUED

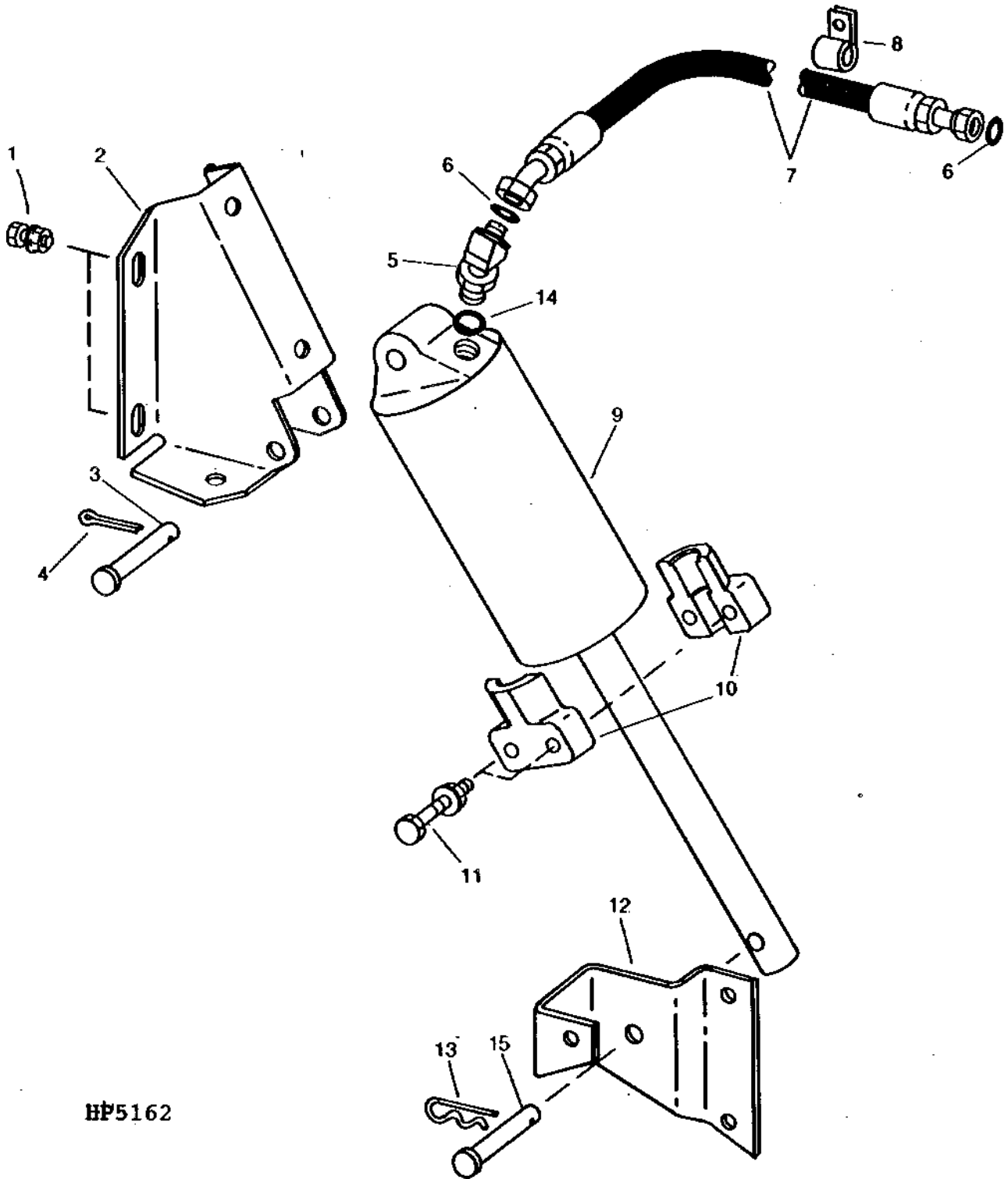
KEY	PART NO.	PART NAME	QTY	SERIAL NO.	REMARKS
1	AH128641	HYDRAULIC LINE	1		(EXTEND)
2	24M7114	WASHER	2		19 X 30 X 4 MM
3	T81029	NUT	2		17.475 MM (11/16")
4	T77613	O-RING	8		
5	AH130581	HYDRAULIC HOSE	2		11/16" X 780 MM (30-3/4") X 11/16"
6	38H1160	ADAPTER	2		
7	R26448	O-RING	2		
8	H133470	ORIFICE	1	-650100	
9	R26375	O-RING	2		
10	19M7868	SCREW	3		M8 X 30
	14M7298	FLANGE NUT	3		M8
11	H108745	CLAMP	6	-640100	
	H108745	CLAMP	3	640101-	
12	AH128642	HYDRAULIC LINE	1		(RETRACT)
13	19M8291	SCREW	1	-640100	M8 X 35
	14M7298	FLANGE NUT	1	-640100	
14	H121163	COVER	2	-640100	
15	H128515	CLAMP	2	-640100	
16	AH128855	HYDRAULIC LINE	1		(EXTEND)
17	AH128854	HYDRAULIC LINE	1		(RETRACT)
18	38H1171	ADAPTER	2		

4E10

HYDRAULICS

GRAIN TANK UNLOADING DRIVE CYLINDER WITH MOUNTING AND HOSE

HP5162 -UN-01JAN94



HP5162

4E11

HYDRAULICS

GRAIN TANK UNLOADING DRIVE CYLINDER WITH MOUNTING AND HOSE - CONTINUED

KEY	PART NO.	PART NAME	QTY	SERIAL NO.	REMARKS
1	19M7866	SCREW	4		M8 X 20
	14M7298	FLANGE NUT	4		M8
2	H129588	BRACKET	1		
3	H98765	PIN	2	-645569	12.700 X 60.500 MM (1/2" X 2.382")
	H98765	PIN	1	645570-	
4	11M7059	COTTER PIN	1		3.200 X 20 MM
5	38H1045	ELBOW FITTING	1		
6	T77613	O-RING	2		
7	AH120160	HYDRAULIC HOSE	1		
8	AH89486	CLIP	1	-660377	(SUB AH96317)
	AH96317	CLIP	1		
9	AH116006	HYDRAULIC CYLINDER	1		
10	H133688	STOP	2		
11	19M8319	SCREW	2		M8 X 50
	14M7298	FLANGE NUT	2		M8
12	H133690	BRACKET	1		
13	J16931	SPRING LOCKING PIN	1		
14	R26448	O-RING	1		
15	H148340	PIN	1	645570-	

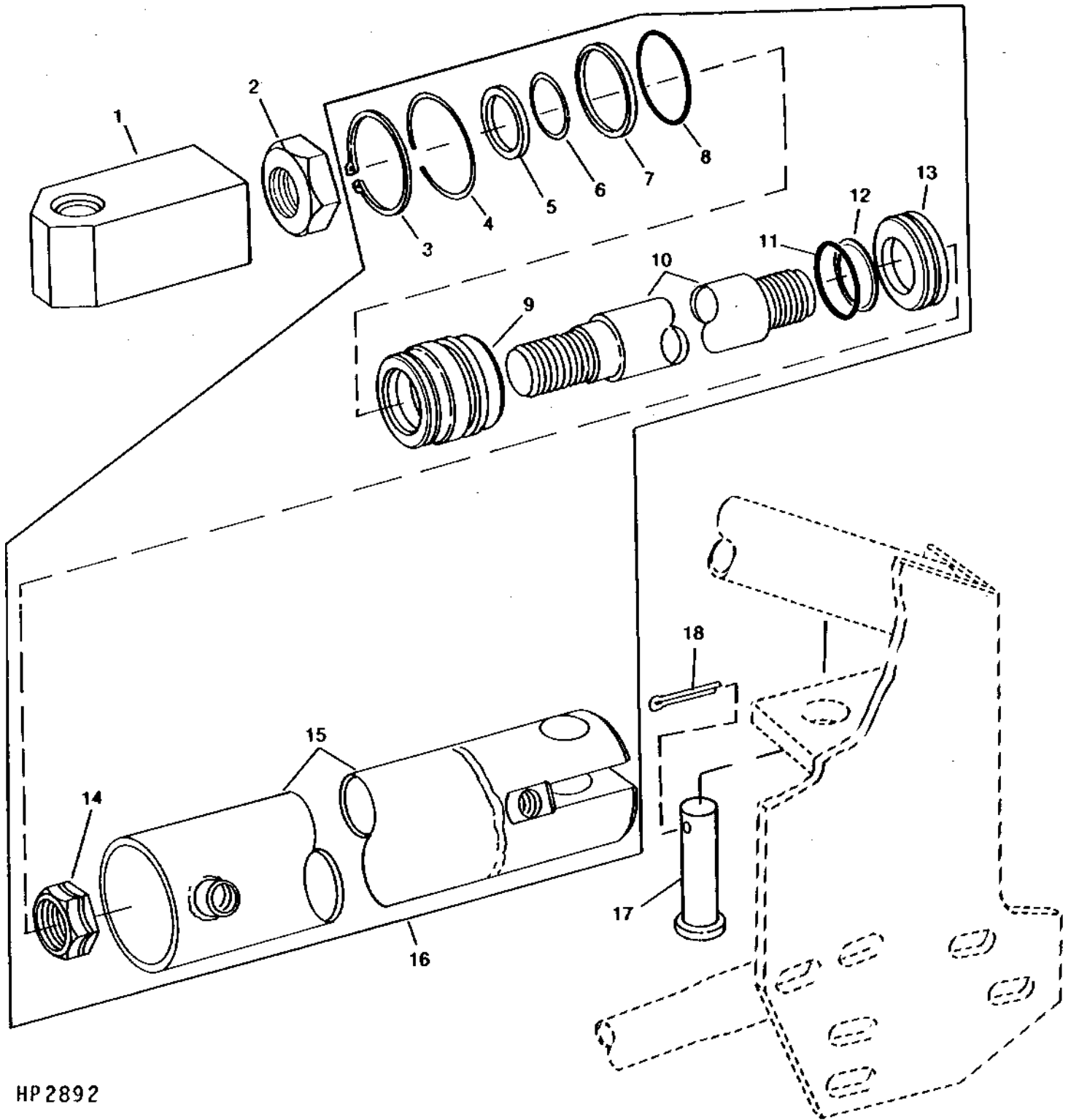
4E12

HYDRAULICS

UNLOADING AUGER SWING CYLINDER AND MOUNTING

(-650100)

HP2892 -UN-01JAN94



HP 2892

4E13

HYDRAULICS

UNLOADING AUGER SWING CYLINDER AND MOUNTING - CONTINUED
(-650100)

KEY	PART NO.	PART NAME	QTY	SERIAL NO.	REMARKS
1	H137225	END	1		
2	W13288	NUT	1		
3	RING	1		(KIT AH129245)
4	SNAP RING	1		(KIT AH129245)
5	SEAL	1		(KIT AH129245)
6	SEAL	1		(KIT AH129245)
7	WASHER	1		(KIT AH129245)
8	O-RING	1		(KIT AH129245)
9	BEARING	1		
10	H135154	ROD	1		
11	O-RING	1		(KIT AH129245)
12	RING	1		(KIT AH129245)
13	PISTON	1		
14	LOCK NUT	1		
15	HYDRAULIC CYLINDER BARREL	1		
16	AH132210	HYDRAULIC CYLINDER	1		(SUB AH142164)
17	R56930	PIN	1		
18	11H218	COTTER PIN	1		3/16" X 1-1/2", (SUB 11M7030)
	11M7030	COTTER PIN	1		5 X 40 MM

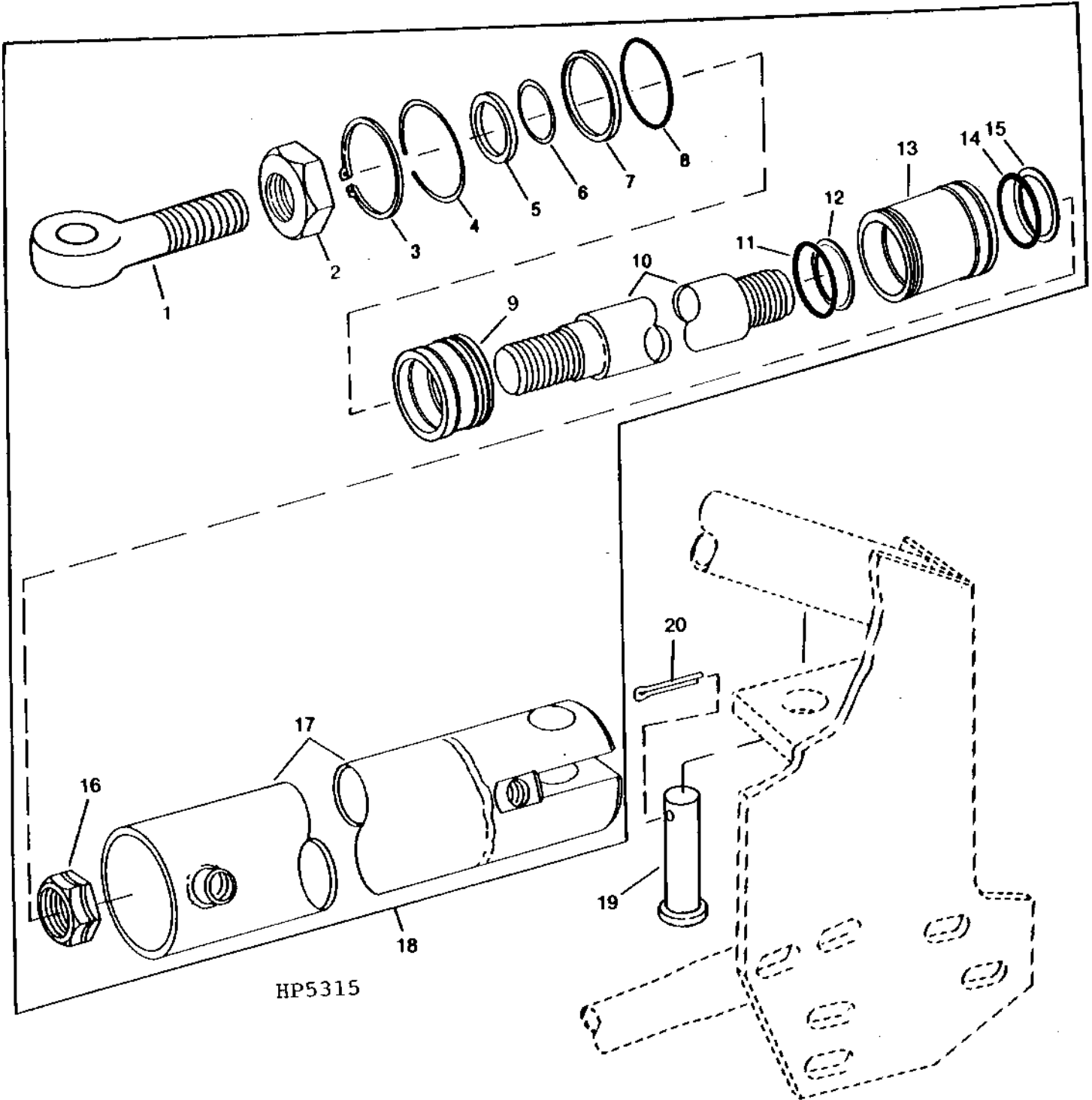
4E14

HYDRAULICS

UNLOADING AUGER SWING CYLINDER AND MOUNTING

(650101-655355)

HP5315 -UN-01JAN94



4E15

HYDRAULICS

UNLOADING AUGER SWING CYLINDER AND MOUNTING - CONTINUED
(650101-655355)

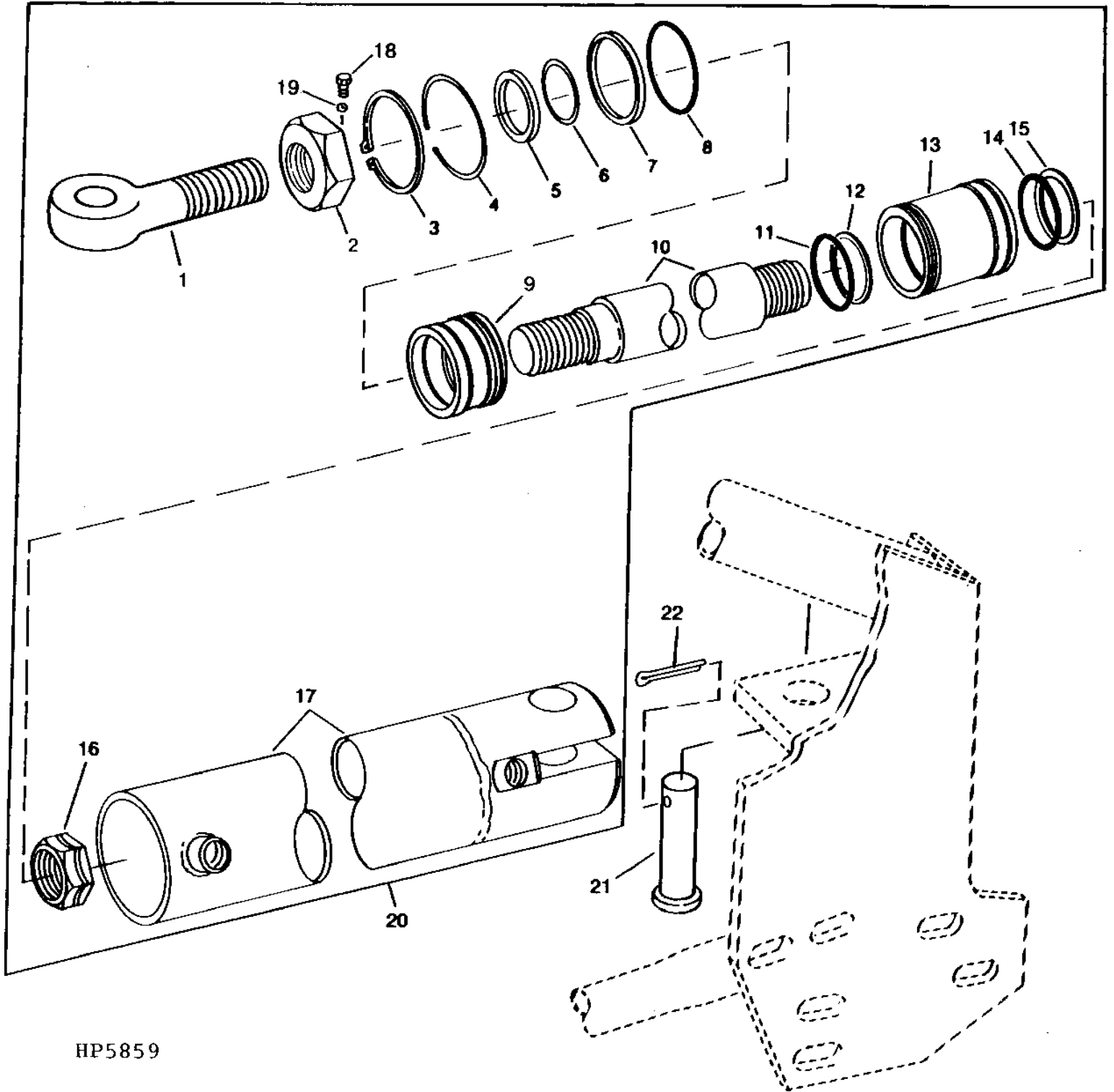
KEY	PART NO.	PART NAME	QTY	SERIAL NO.	REMARKS
1	H148376	EYEBOLT	1		
2	H148375	LOCK NUT	1		
3	RING	1		(KIT AH142108)
4	SNAP RING	1		(KIT AH142108)
5	SEAL	1		(KIT AH142108)
6	SEAL	1		(KIT AH142108)
7	WASHER	1		(KIT AH142108)
8	O-RING	1		(KIT AH142108)
9	BEARING	1		
10	H148342	ROD	1		
11	O-RING	1		(KIT AH142108)
12	RING	1		(KIT AH142108)
13	PISTON	1		
14	WASHER	1		
15	O-RING	1		
16	LOCK NUT	1		
17	HYDRAULIC CYLINDER BARREL	1		
18	AH142164	HYDRAULIC CYLINDER	1	-660100	(SUB AH145030)
19	R56930	PIN	1		
20	11M7030	COTTER PIN	1		5 X 40 MM
..	AH142108	HYDRAULIC CYLINDER KIT	1	-665482	(SUB AH146043)
..	AH146043	KIT	1		

4E16

HYDRAULICS

UNLOADING AUGER SWING CYLINDER AND MOUNTING

(655356-)
HP5859 -UN-14OCT94



HP5859

4E17

HYDRAULICS

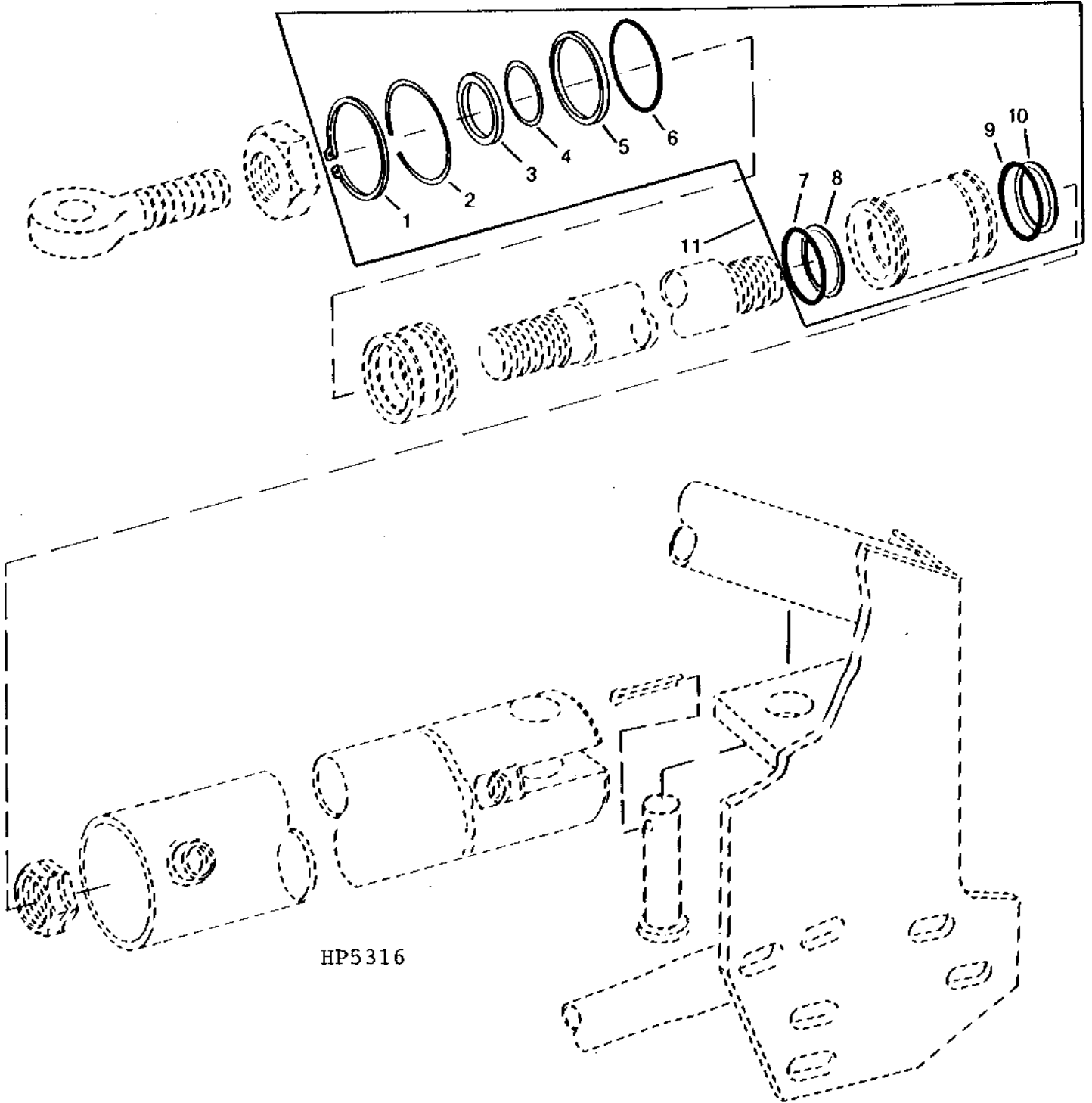
UNLOADING AUGER SWING CYLINDER AND MOUNTING - CONTINUED
(655356-)

KEY	PART NO.	PART NAME	QTY	SERIAL NO.	REMARKS
1	H150926	EYEBOLT	1		
2	14H904	NUT	1	19.050 MM (3/4")	
3	RING	1	(KIT AH146043)	
4	SNAP RING	1	(KIT AH146043)	
5	SEAL	1	(KIT AH146043)	
6	SEAL	1	(KIT AH146043)	
7	WASHER	1	(KIT AH146043)	
8	O-RING	1	(KIT AH146043)	
9	BEARING	1	(KIT AH146043)	
10	H150920	ROD	1		
11	O-RING	1	(KIT AH146043)	
12	RING	1	(KIT AH146043)	
13	PISTON	1	(KIT AH145030)	
14	WASHER	1	(KIT AH145030)	
15	O-RING	1	(KIT AH145030)	
16	LOCK NUT	1	(KIT AH145030)	
17	HYDRAULIC CYLINDER BARREL	1	(KIT AH145030)	
18	22H897	SET SCREW	1	6.350 X 6.350 MM (1/4" X 1/4")	
19	L36230	BALL	1	4.500 MM (0.177")	
20	AH145030	HYDRAULIC CYLINDER	1		
21	R56930	PIN	1		
22	11H218	COTTER PIN	1		
..	AH146043	KIT	1	SEAL KIT	

4E18

HYDRAULICS

UNLOADING AUGER SWING CYLINDER KIT
HP5316 -UN-01JAN94



4E19

HYDRAULICS

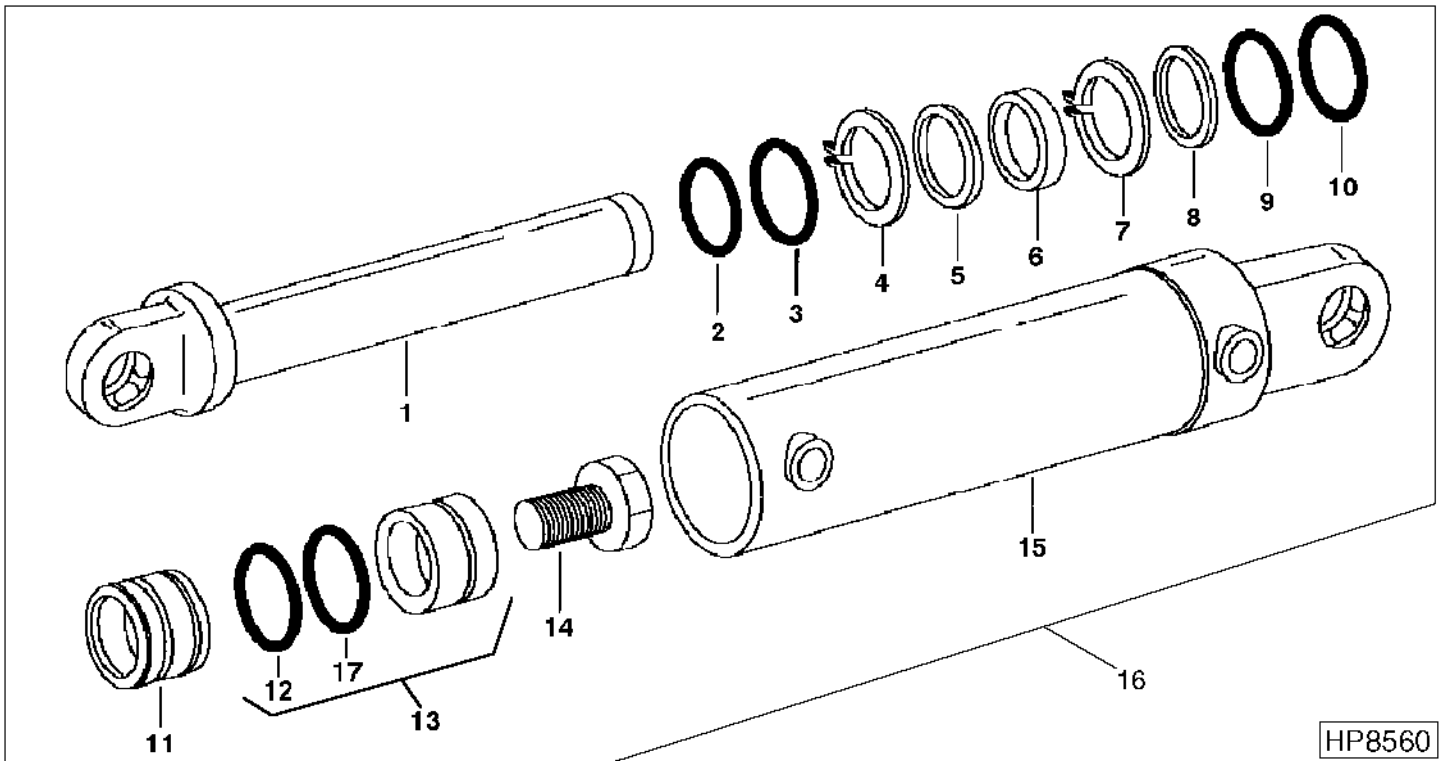
UNLOADING AUGER SWING CYLINDER KIT - CONTINUED

KEY	PART NO.	PART NAME	QTY	SERIAL NO.	REMARKS
1	RING	1		
2	SNAP RING	1		
3	SEAL	1		
4	SEAL	1		
5	WASHER	1		
6	O-RING	1		
7	O-RING	1		
8	RING	1		
9	O-RING	1		
10	RING	1		
11	AH129245	HYDRAULIC CYLINDER KIT	1	-650100	
	AH142108	HYDRAULIC CYLINDER KIT	1	650101-	

4E20

HYDRAULICS

TILT CYLINDER - CONTOUR MASTER
HP8560 -UN-07MAY99



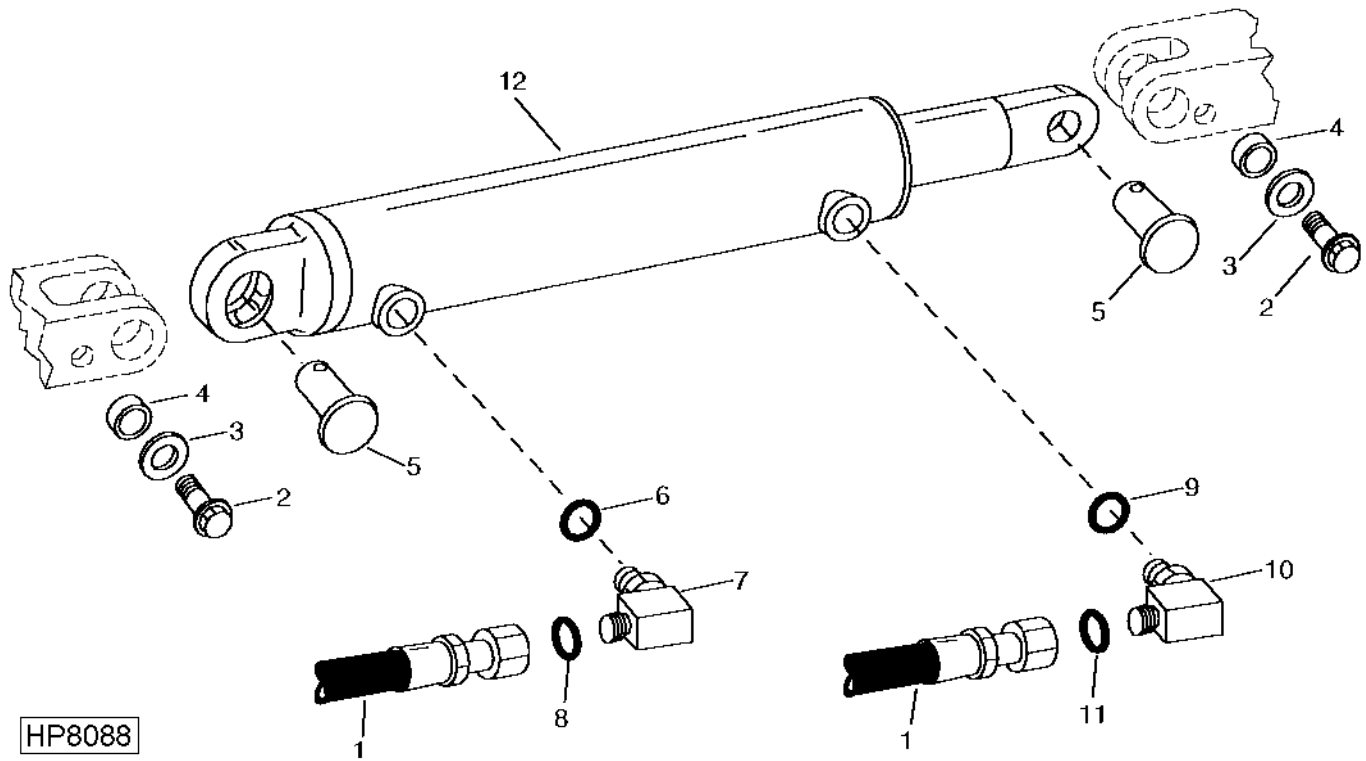
KEY	PART NO.	PART NAME	QTY	SERIAL NO.	REMARKS
1	AH144482	ROD	1		
2	P45750	O-RING	1		
	T22828	O-RING	1		(A)
3	H150411	SEAL	1		(A)
4	R90565	SNAP RING	1		
5	H169509	BACK-UP RING	1		(A)
6	H150412	SEAL	1		(A)
7	R82571	SNAP RING	1		
8	H151629	WEAR RING	1		(A)
9	R79117	WASHER	1		(A)
10	H158942	O-RING	1		(A)
11	H151694	HYDR. CYLINDER ROD GUIDE	1		
12	H144342	PISTON RING	1		(A)
13	AH138200	PISTON	1		
14	19H2672	CAP SCREW	1		15.875 X 50.800 MM
15	AH144480	HYDRAULIC CYLINDER BARREL	1		
16	AH143322	HYDRAULIC CYLINDER	1		
17	U15973	O-RING	1		(A)
..	AH167553	HYDRAULIC CYLINDER KIT	1		INCLUDES PARTS MARKED (A)

4E21

HYDRAULICS

TILT CYLINDER HOSES AND FITTINGS - CONTOUR MASTER

HP8088 -UN-15DEC98



HP8088

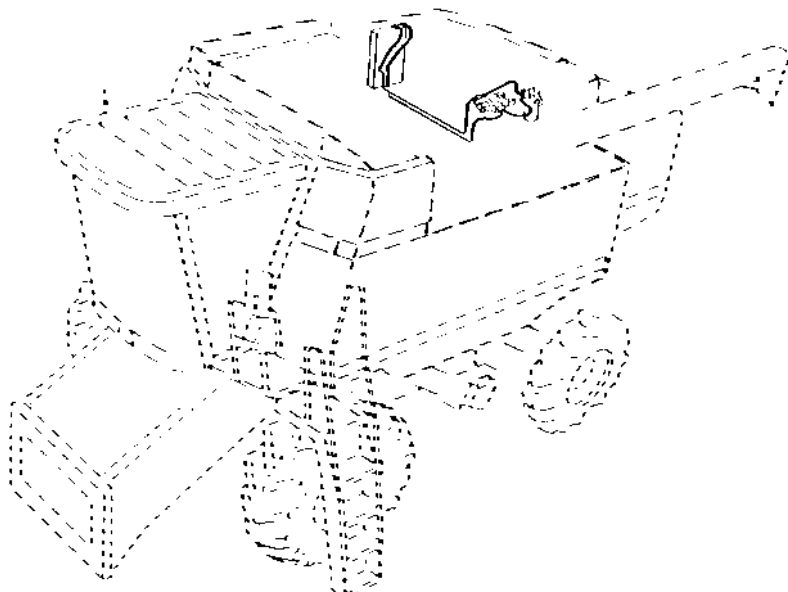
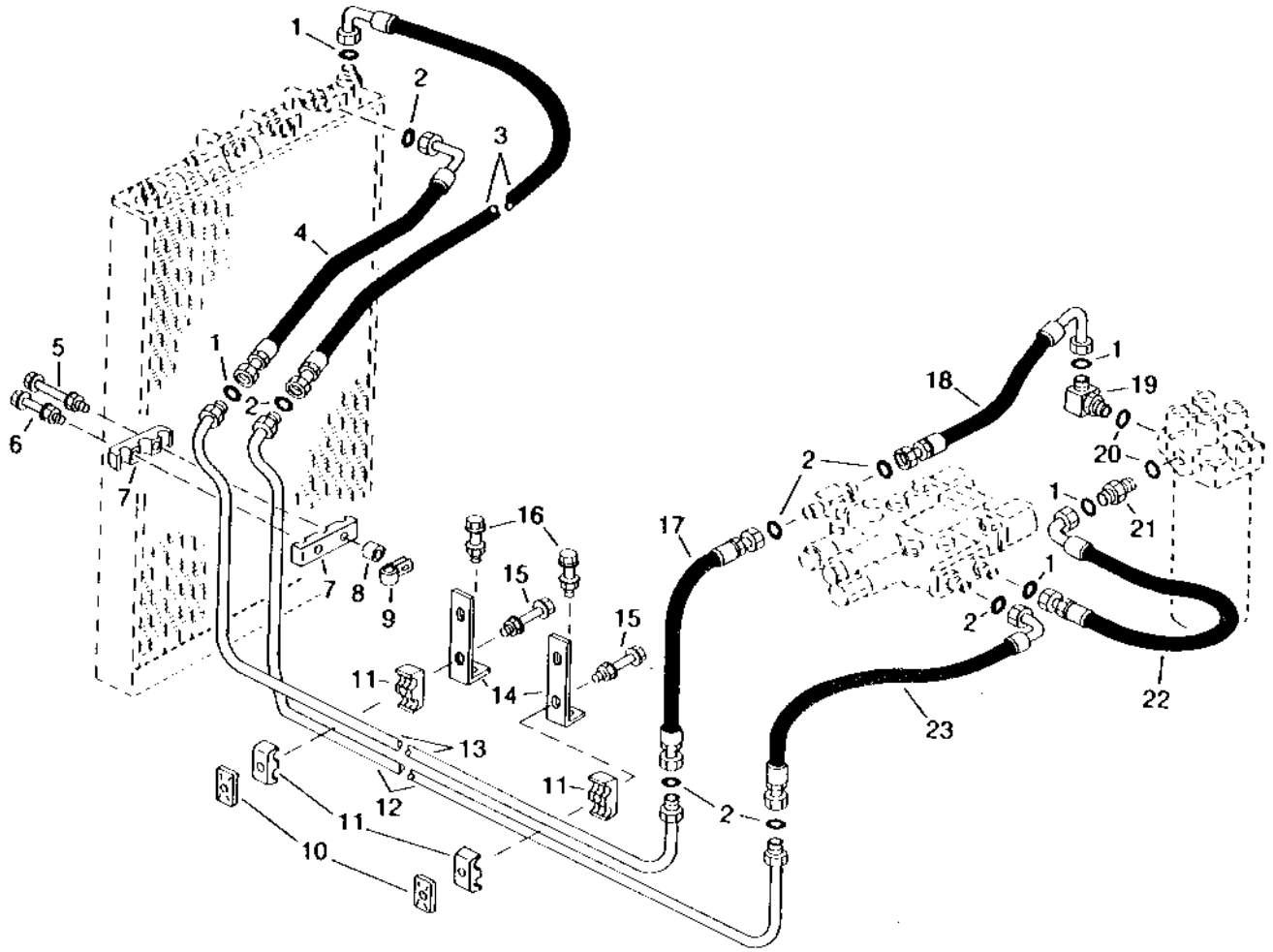
KEY	PART NO.	PART NAME	QTY	SERIAL NO.	REMARKS
1	AH143682	HYDRAULIC HOSE	2		
2	19M7866	SCREW	2	M8 X 20	
3	24H1291	WASHER	2	8.331 X 37.313 X 2.769 MM	
4	28H1511	WASHER	2	9.246 X 13.716 X 6.350 MM	
5	R56930	PIN	2	18.948 X 69.850 MM	
6	R28782	O-RING	1	8.915 X 1.829 MM	
7	38H1003	ELBOW FITTING	1		
8	T77814	O-RING	1	7.645 X 1.778 MM	
9	R26448	O-RING	1	11.887 X 1.981 MM	
10	38H1004	ELBOW FITTING	1		
11	T77613	O-RING	1	9.246 X 1.778 MM	
12	AH143322	HYDRAULIC CYLINDER	1		

4E22

WET CLUTCH OIL COOLER LINES AND HOSES

(-640100)

HP3214 -UN-01JAN94



HP 3214

4E23

HYDRAULICS

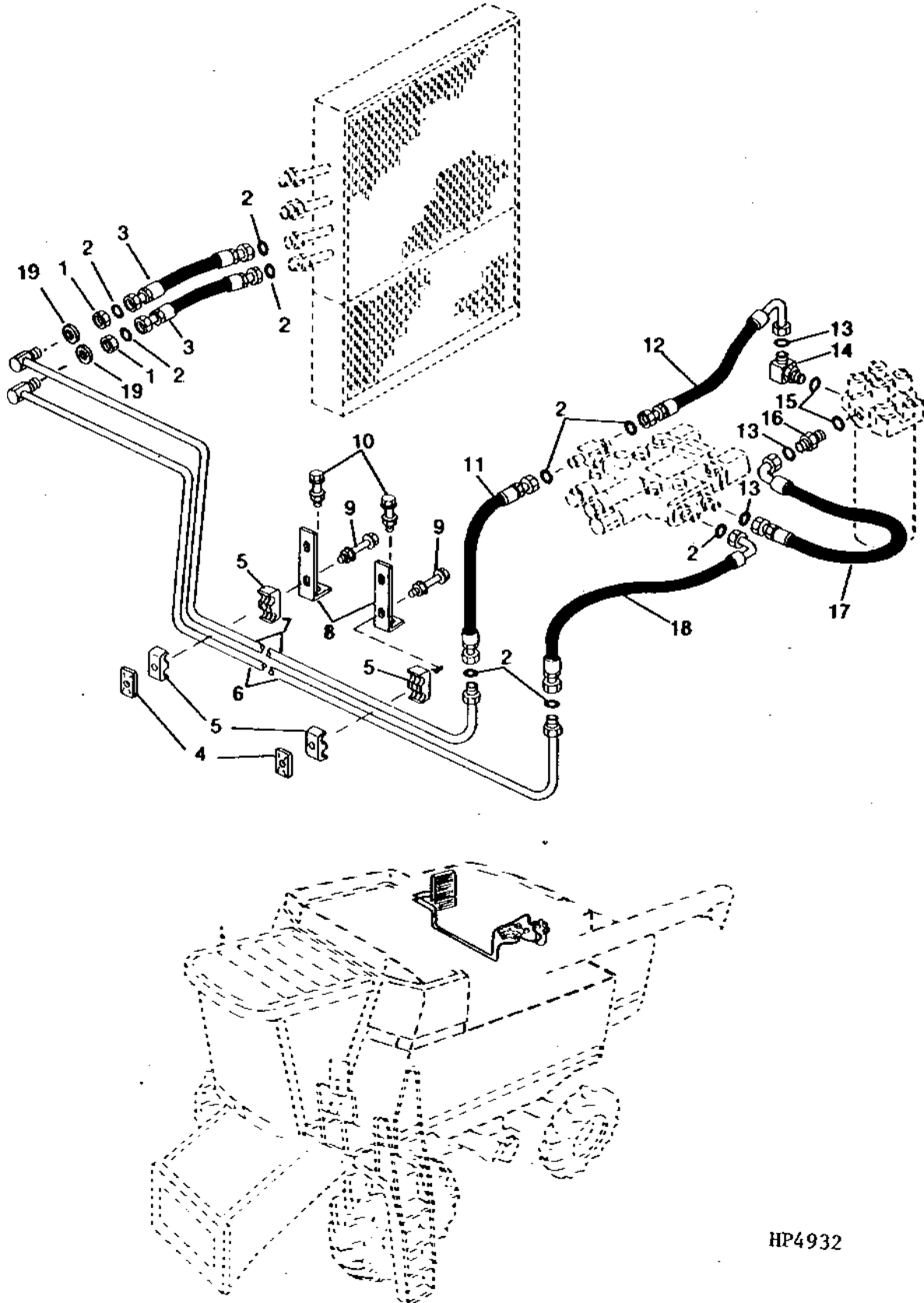
WET CLUTCH OIL COOLER LINES AND HOSES - CONTINUED
(-640100)

KEY	PART NO.	PART NAME	QTY	SERIAL NO.	REMARKS
1	T77857	O-RING	5		
2	T77932	O-RING	7		
3	AH128773	HYDRAULIC HOSE	1		
4	AH128774	HYDRAULIC HOSE	1		
5	19M8039	SCREW	1		M8 X 80
	14M7298	FLANGE NUT	1		M8
6	19M7801	SCREW	1		M8 X 60
	14M7298	FLANGE NUT	1		M8
7	H130452	CLAMP	2		
8	28H1720	BUSHING	1		
9	R72659	CLAMP	1		
10	H121168	PLATE	2		
11	H120847	CLAMP	4		
12	AH131180	HYDRAULIC LINE	1	-640100	
	AH138866	OIL LINE	1	640101-	
13	AH129415	HYDRAULIC LINE	1	-640100	
	AH138865	OIL LINE	1	640101-	
14	H130451	BRACKET	2		
15	19M8319	SCREW	2		M8 X 50
	14M7298	FLANGE NUT	2		M8
16	19M7866	SCREW	2		M8 X 20
	14M7298	FLANGE NUT	2		M8
17	AH128778	HYDRAULIC HOSE	1		
18	AH128779	HYDRAULIC HOSE	1		
19	38H1013	ELBOW FITTING	1		
20	U12547	O-RING	2		
21	38H1175	ADAPTER	1		
22	AH128780	HYDRAULIC HOSE	1		
23	AH128777	HYDRAULIC HOSE	1		
..	AH150219	OIL COOLER	1	670000-	OIL COOLER AND CONDENSER TOGETHER, (SUB FOR AH120836 OR AH136172)

WET CLUTCH OIL COOLER LINES AND HOSES

(640101-665101)

HP4932 -UN-01JAN94



HP4932

4E25

HYDRAULICS

WET CLUTCH OIL COOLER LINES AND HOSES - CONTINUED
(640101-665100)

KEY	PART NO.	PART NAME	QTY	SERIAL NO.	REMARKS
1	T80306	NUT	2		25.400 MM (1")
2	T77932	O-RING	9		15.596 X 1.778 MM (0.614" X 0.070")
3	AH128992	HYDRAULIC HOSE	2		1" X 265 MM (10-1/2") X 1"
4	H121168	PLATE	2		
5	H120847	CLAMP	4		
6	AH138866	OIL LINE	1		
7	AH138865	OIL LINE	1		
8	H130451	BRACKET	2		
9	19M8319	SCREW	2		M8 X 50
	14M7298	FLANGE NUT	2		M8
10	19M7866	SCREW	2		M8 X 20
	14M7298	FLANGE NUT	2		M8
11	AH128778	HYDRAULIC HOSE	1		1" X 475 MM (18-3/4") X 1"
12	AH128779	HYDRAULIC HOSE	1		1" X 275 MM (10-3/4") X 13/16"
13	T77857	O-RING	3		12.421 X 1.778 MM (0.489" X 0.070")
14	38H1013	ELBOW FITTING	1		
15	U12547	O-RING	2		23.470 X 2.946 MM (0.924" X 0.116")
16	38H1175	ADAPTER	1		
17	AH128780	HYDRAULIC HOSE	1		13/16" X 725 MM (28-1/2") X 13/16"
18	AH128777	HYDRAULIC HOSE	1		1" X 500 MM (19-3/4") X 1"
19	24H1462	WASHER	2		26.975 X 38.100 X 1.524 MM (1-1/16" X 1-1/2" X 0.060")

4F1

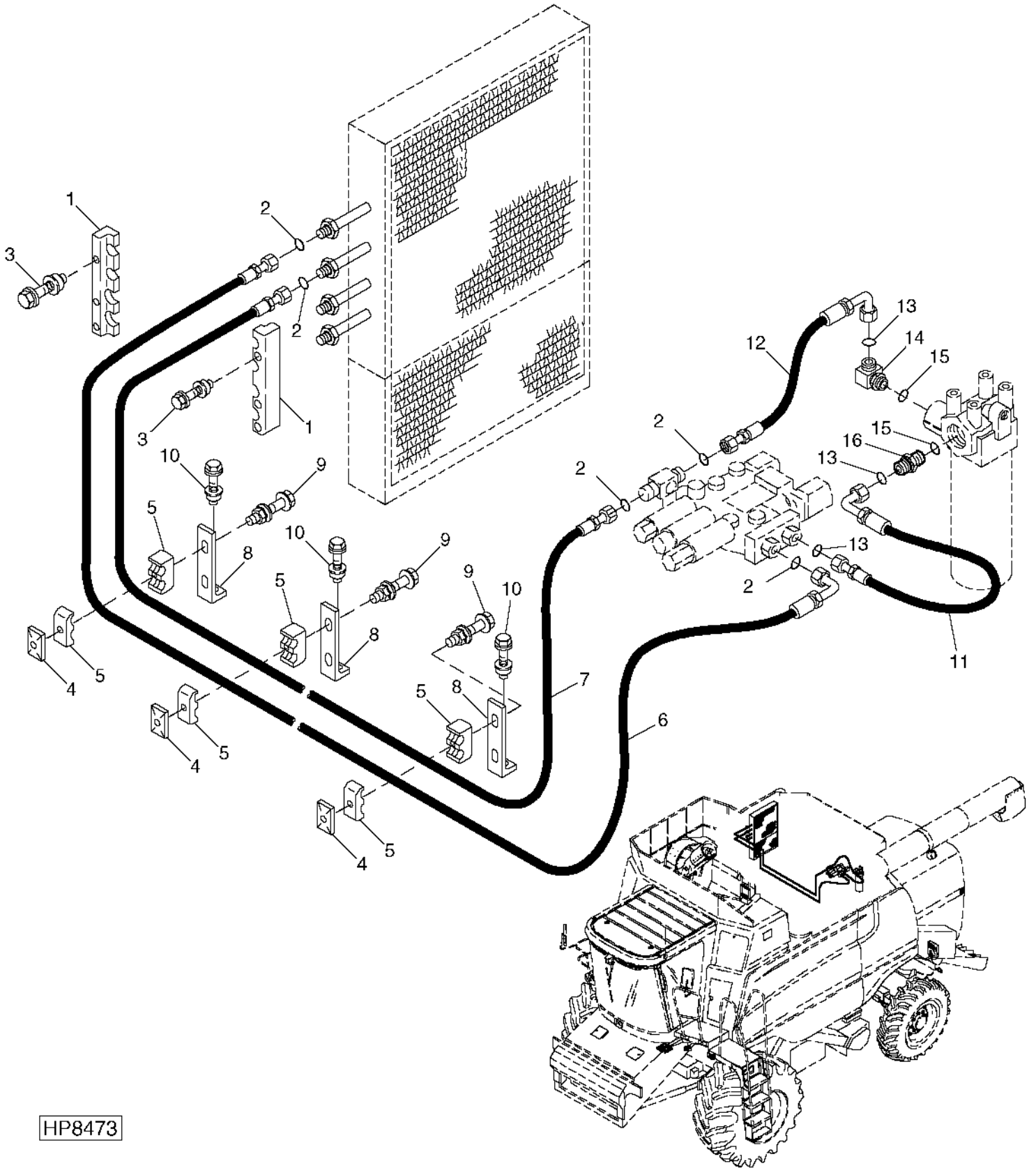
HYDRAULICS

WET CLUTCH OIL COOLER LINES AND HOSES

(640101-665100)

HP8473

-UN-21APR99



HP8473

4F2

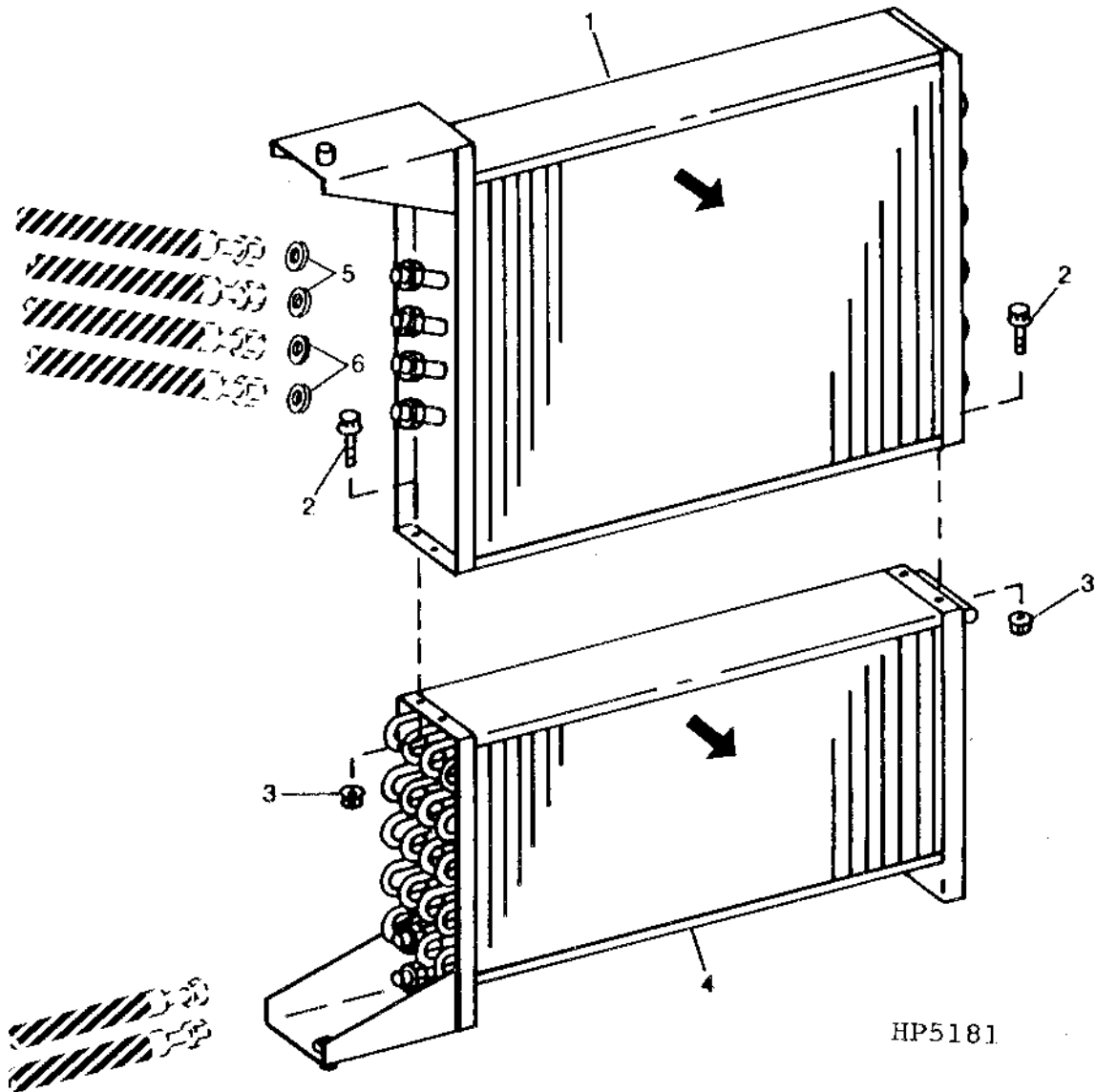
HYDRAULICS

WET CLUTCH OIL COOLER LINES AND HOSES - CONTINUED
(665101-)

KEY	PART NO.	PART NAME	QTY	SERIAL NO.	REMARKS
1	H151585	CLAMP	2		
2	T77932	O-RING	5		
3	19M8317	SCREW	6		M8 X 40
	14M7298	FLANGE NUT	3		M8
4	H112567	PLATE	3		
5	H150983	CLAMP	6		
6	AH145239	HYDRAULIC HOSE	1		
7	AH145241	HYDRAULIC HOSE	1		
8	H150980	BRACKET	3		
9	19M7979	SCREW	3		M8 X 55
	14M7298	FLANGE NUT	3		M8
10	19M7866	SCREW	3		M8 X 20
	14M7298	FLANGE NUT	3		M8
11	AH128780	HYDRAULIC HOSE	1		
12	AH128779	HYDRAULIC HOSE	1		
13	T77857	O-RING	3		
14	38H1013	ELBOW FITTING	1		
15	U12547	O-RING	2		
16	38H1175	ADAPTER	1		

4F3

OIL COOLER AND A/C CONDENSER
HP5181 -UN-01JAN94



4F4

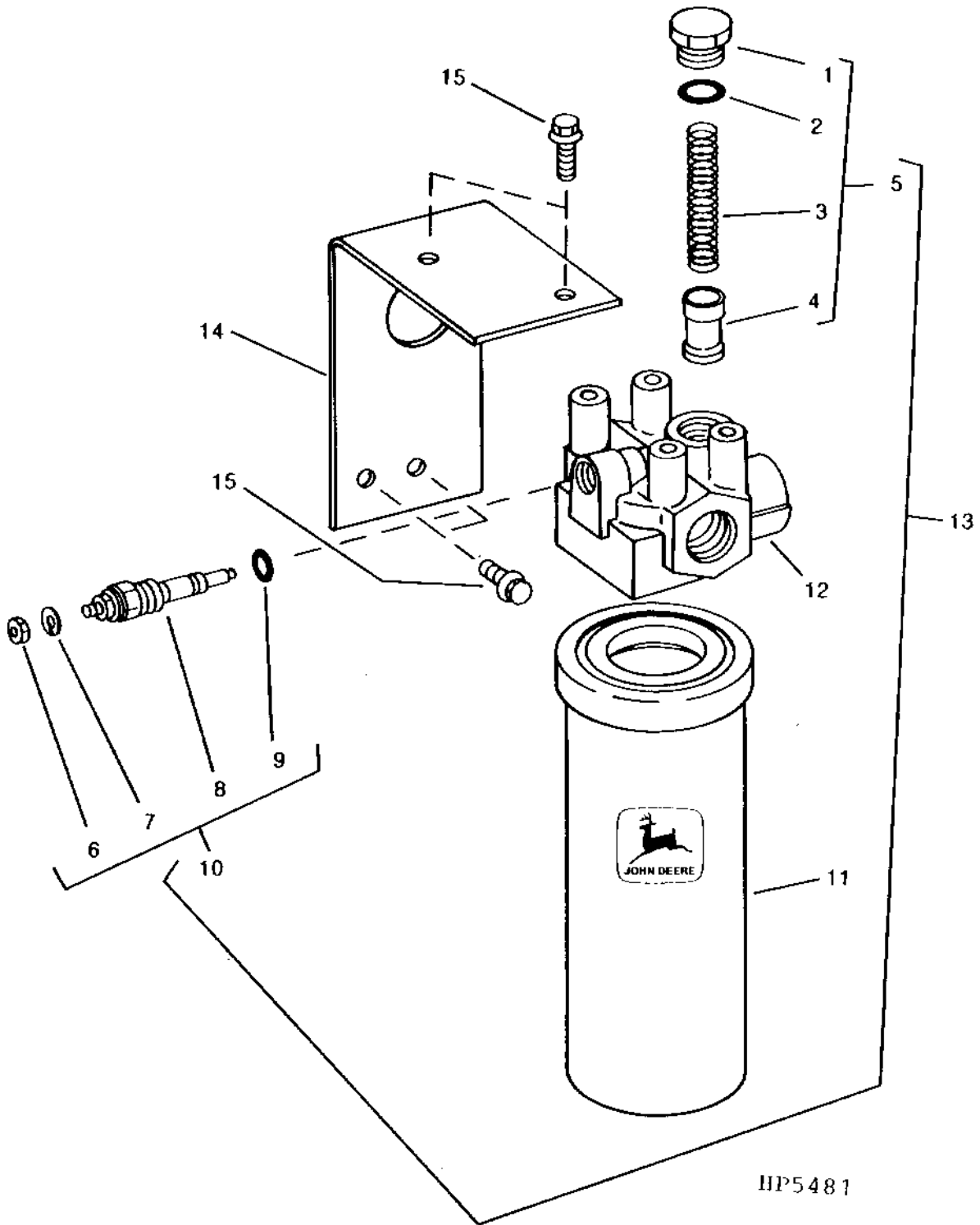
HYDRAULICS

OIL COOLER AND A/C CONDENSER - CONTINUED

KEY	PART NO.	PART NAME	QTY	SERIAL NO.	REMARKS
1	AH140472	OIL COOLER	1	640604-665100	(SUB FOR AH120854)
	AH149588	VAPOR CONDENSER	1	665101-	(SUB FOR AH145232)
	AH150219	OIL COOLER	1		(SUB FOR AH120836 OR AH136172) OIL COOLER AND CONDENSER TOGETHER
2	19M7774	SCREW	4		M6 X 12
	19M7774	SCREW	3		M6 X 12, (LEAVE FRONT L.H. HOLE EMPTY)
3	14M7303	FLANGE NUT	4		M6
4	AH149618	VAPOR CONDENSER	1		(SUB FOR AH115321 OR AH140471) EVAPORATOR
	AH150219	OIL COOLER	1		(SUB FOR AH120836 OR AH136172) OIL COOLER AND CONDENSER TOGETHER
5	24H1534	WASHER	4	640817-	
6	24H1462	WASHER	2	640817-	

4F5

ENGINE GEARCASE OIL FILTER ASSEMBLY
HP5481 -UN-01JAN94



4F6

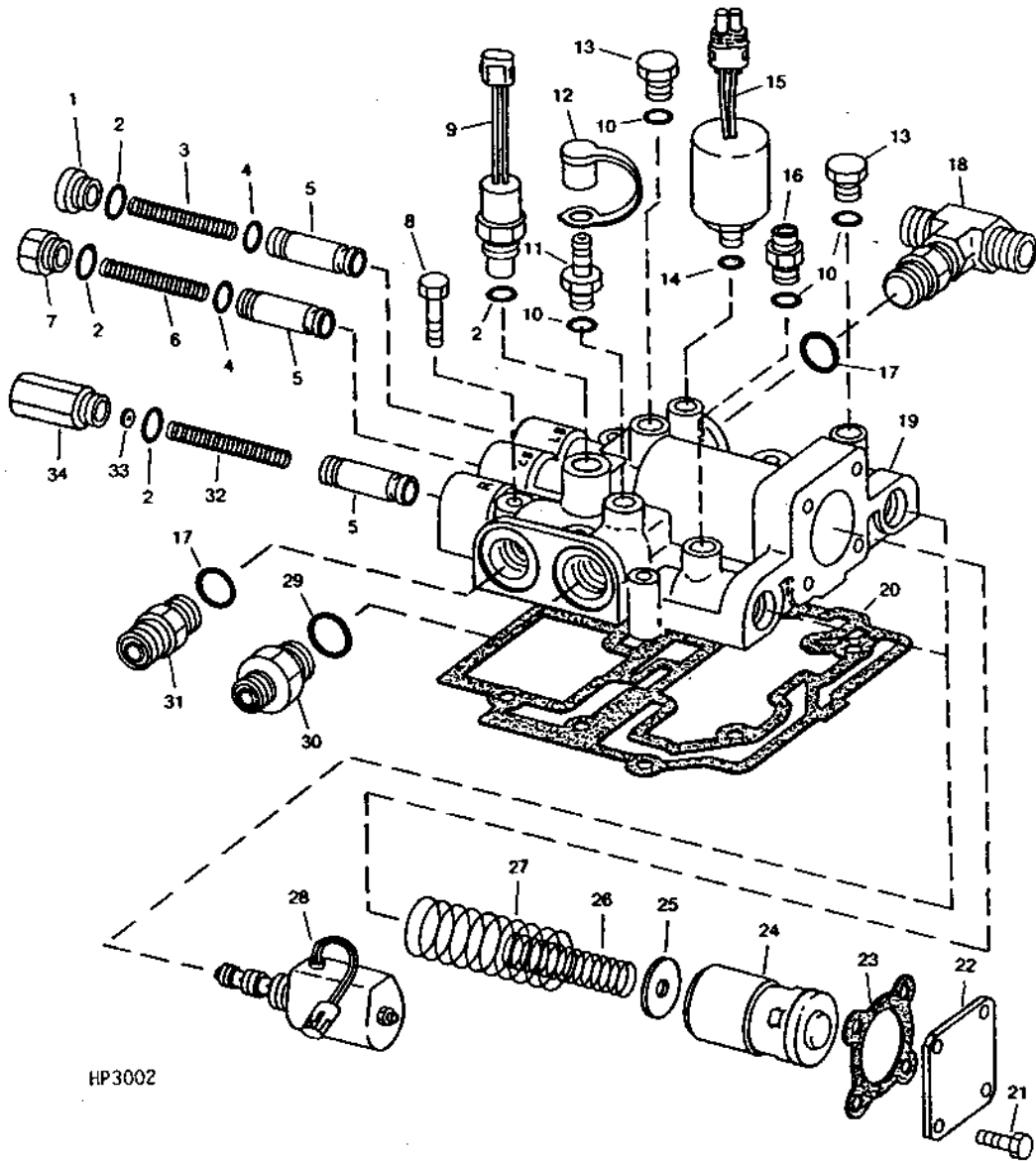
HYDRAULICS

ENGINE GEARCASE OIL FILTER ASSEMBLY - CONTINUED

KEY	PART NO.	PART NAME	QTY	SERIAL NO.	REMARKS
1	PLUG	1		
2	R26906	O-RING	1		
3	SPRING	1		
4	PISTON	1		
5	AH128451	VALVE	1		
6	14H631	NUT	1		0.190"
7	12H295	LOCK WASHER	1		0.190"
8	SENDER	1		
9	R26448	O-RING	1		
10	AH128450	TOUCH SWITCH	1		
11	AH128449	HYDRAULIC FILTER	1		
12	AH139434	HYDRAULIC FILTER	1		
13	AH128448	HYDRAULIC FILTER	1	-650370	WET CLUTCH, (SUB AH139434 AND AH128449)
14	H133675	BRACKET	1		
15	19M7784	SCREW	4		M10 X 20

4F7

ENGINE GEARCASE PRESSURE REGULATOR HP3002 -UN-10OCT88



HP3002

4F8

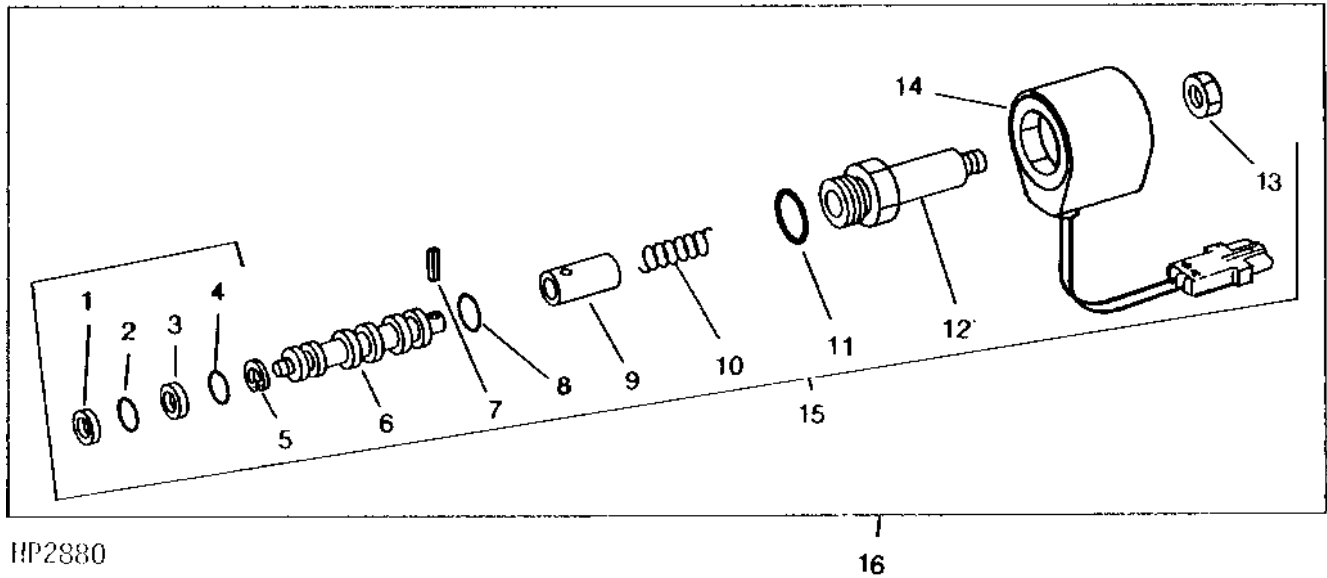
HYDRAULICS

ENGINE GEARCASE PRESSURE REGULATOR - CONTINUED

KEY	PART NO.	PART NAME	QTY	SERIAL NO.	REMARKS
1	R33138	FITTING	1		
2	R26375	O-RING	4		
3	H89241	SPRING	1		
4	R28776	O-RING	2		
5	R63980	VALVE	3		
6	R56782	SPRING	1		
7	H126026	FITTING	1		
8	19M7979	SCREW	7		M8 X 55
9	AH116105	SWITCH	1		GEARCASE TEMPERATURE SWITCH
	R78059	ELECTRICAL PLUG	1		(PKG OF 40)
10	R26448	O-RING	4		
11	AH125760	HYD. QUICK-CONNECT COUPLER	1		
12	R77175	COVER	1		
13	R27218	FITTING PLUG	2		
14	R28782	O-RING	1		
15	AH128927	SWITCH	1	-630846	PRESSURE
	AH135744	SWITCH	1	630847-	(PKG OF 40)
	RE12363	CONNECTOR	1		
	R78063	TERMINAL NIPPLE	1		
	R78060	SOCKET CONTACT	1		
16	38H1160	ADAPTER	1		
17	R26906	O-RING	2		
18	38H1018	TEE FITTING	1		
19	H132970	HOUSING	1		
20	H129328	GASKET	1		
21	19M7867	SCREW	4		M8 X 25
22	H118906	COVER	1		
23	H129765	GASKET	1		
24	T77514	PISTON	1		
25	24H1312	WASHER	1		13/32" X 1-3/8" X 0.105"
26	R47449	SPRING	1		
27	T45132	SPRING	1		
28	AH128655	SOLENOID VALVE	2		
29	U12547	O-RING	1		
30	38H1175	ADAPTER	1		
31	38H1162	ADAPTER	1		
32	T60314	SPRING	1		
33	R33521	SHIM	AR		
34	H126028	FITTING	1		
..	AH128785	SHUT-OFF VALVE	1		(COMPLETE) DOES NOT INCLUDE KEYS 8 AND 20

4F9

SOLENOID CONTROL VALVE FOR WET CLUTCH PRESSURE REGULATOR
 HP2880 -UN-01JAN94



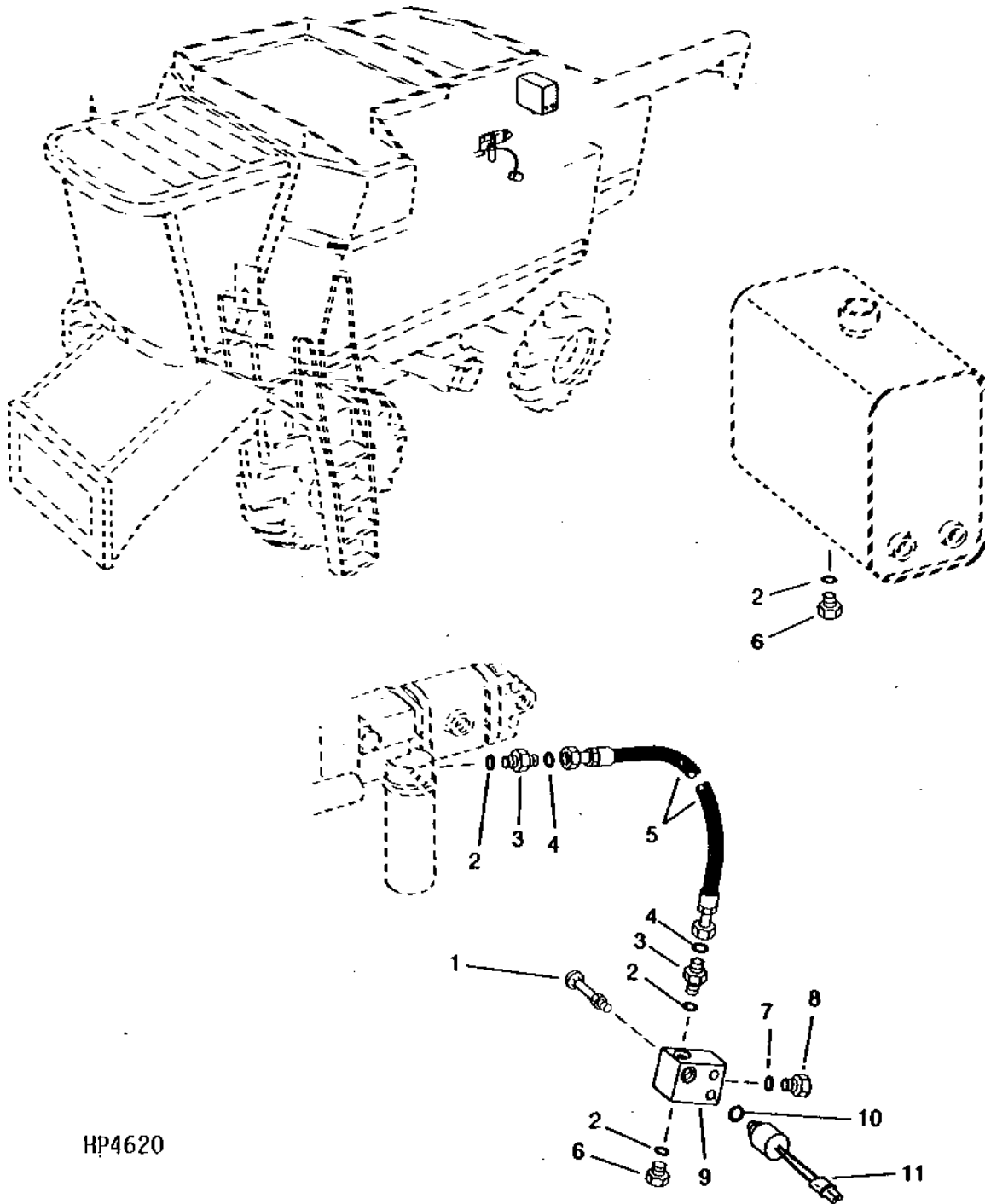
KEY	PART NO.	PART NAME	QTY	SERIAL NO.	REMARKS
1	R42926	BACK-UP RING	1		
2	R45186	O-RING	1	-645314	(SUB T77857)
	T77857	O-RING	1		
3	R45187	BACK-UP RING	1		
4	R45638	O-RING	1		
5	R46701	SNAP RING	1		
6	VALVE SPOOL	1		(KIT AH128655 OR AH130949)
7	34H227	SPRING PIN	1		3/32" X 1/2"
8	N31772	O-RING	1		
9	PLUNGER	1		(KIT AH128655 OR AH130949)
10	R64698	SPRING	1		
11	U12547	O-RING	1		
12	GUIDE	1		(KIT AH128655 OR AH130949)
13	M63707	LOCK NUT	1		
14	AH128654	ELECTRICAL COIL	1		
	R78053	PIN CONTACT CONNECTOR BODY	1		(PKG OF 3)
	R78059	ELECTRICAL PLUG	1		(PKG OF 40)
	R78061	PIN CONTACT	1		(PKG OF 40)
15	AH130949	SOLENOID VALVE	1		
16	AH128655	SOLENOID VALVE	1		

MEMORANDA

4F10

CHARGE PRESSURE HOSE

(640101-)
HP4620 -UN-01JAN94



HP4620

4F11

HYDRAULICS

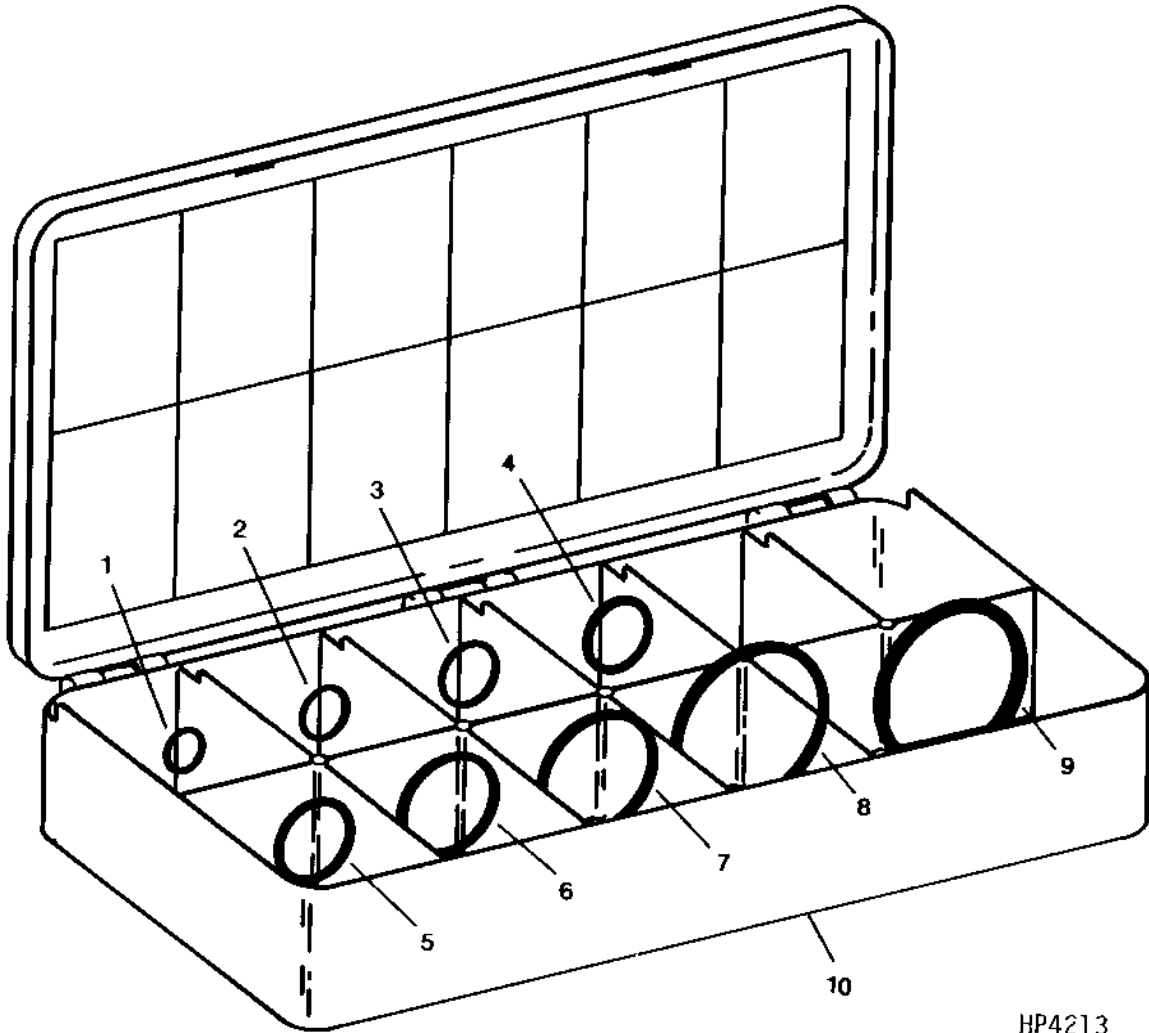
CHARGE PRESSURE HOSE - CONTINUED
(640101-)

KEY	PART NO.	PART NAME	QTY	SERIAL NO.	REMARKS
1	03M7267	BOLT	2		
	14M7298	FLANGE NUT	2		
2	R26448	O-RING	4		
3	38H1160	ADAPTER	2		
4	T77613	O-RING	2		
5	AH128894	HYDRAULIC HOSE	1		11/16" X 570 MM (22-1/2") X 11/16" (PRESSURE)
6	R27218	FITTING PLUG	2		
7	R26375	O-RING	1		
8	R39112	FITTING	1		
9	H139448	FITTING	1		
10	R26448	O-RING	1		
11	AH128929	SWITCH	1		

4F12

HYDRAULICS

HYDRAULIC FLAT O-RING KIT
HP4213 -UN-01JAN94



HP4213

4F13

HYDRAULICS

HYDRAULIC FLAT O-RING KIT - CONTINUED

KEY	PART NO.	PART NAME	QTY	SERIAL NO.	REMARKS
1	T77814	O-RING	10		SIZE -4
2	T77613	O-RING	12		SIZE -6
3	T77857	O-RING	12		SIZE -8
4	T77932	O-RING	12		SIZE -10
5	T77858	O-RING	12		SIZE -12
6	T76938	O-RING	12		SIZE -16
7	T78612	O-RING	5		SIZE -20
8	T78784	O-RING	5		SIZE -24
9	T78313	O-RING	6		
10	AT85197	O-RING KIT	1		

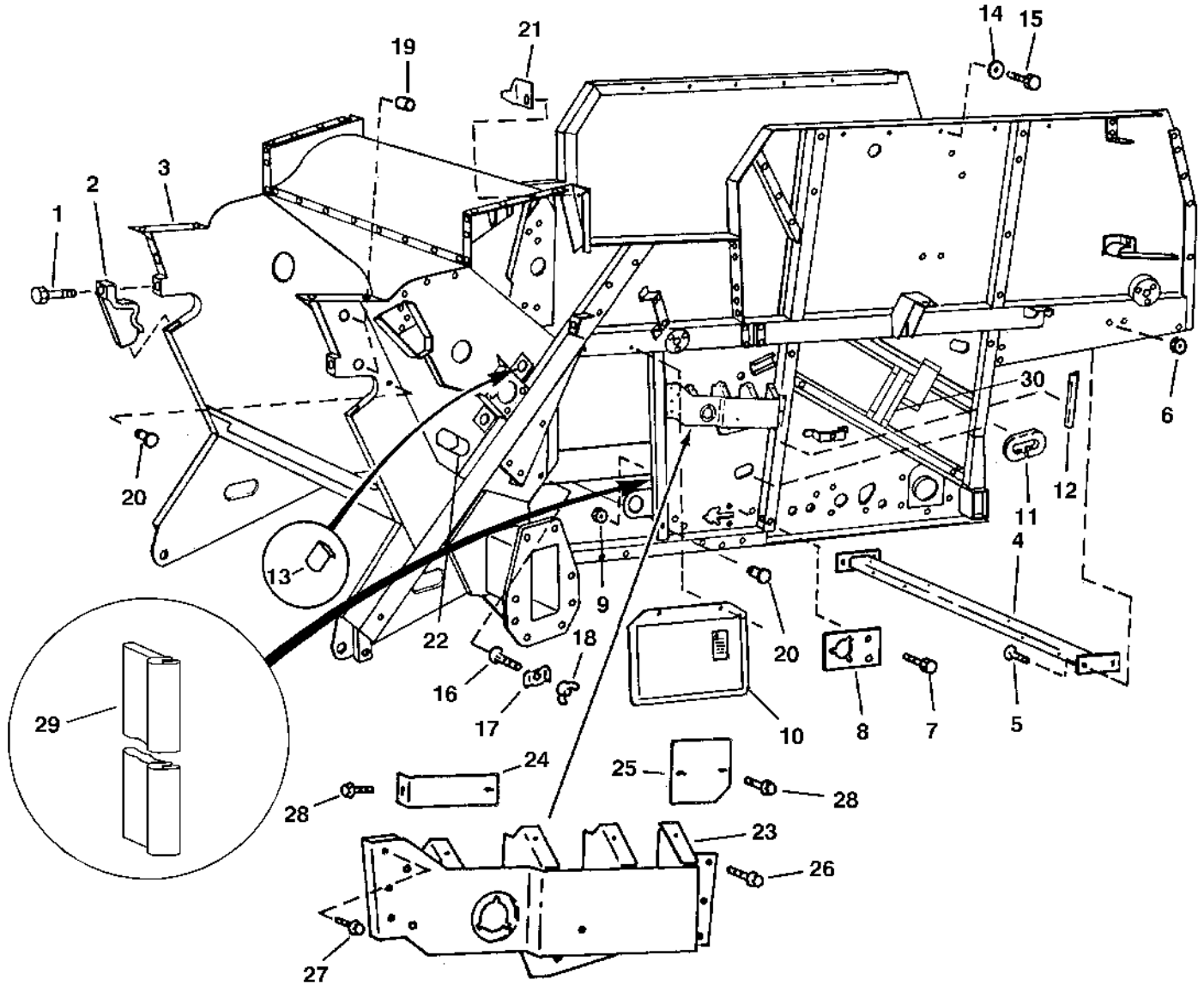
MEMORANDA

MEMORANDA

4F16

SEPARATOR SHELL

SEPARATOR FRAME
HP6867 -UN-04AUG97



HP6867

4F17

SEPARATOR SHELL

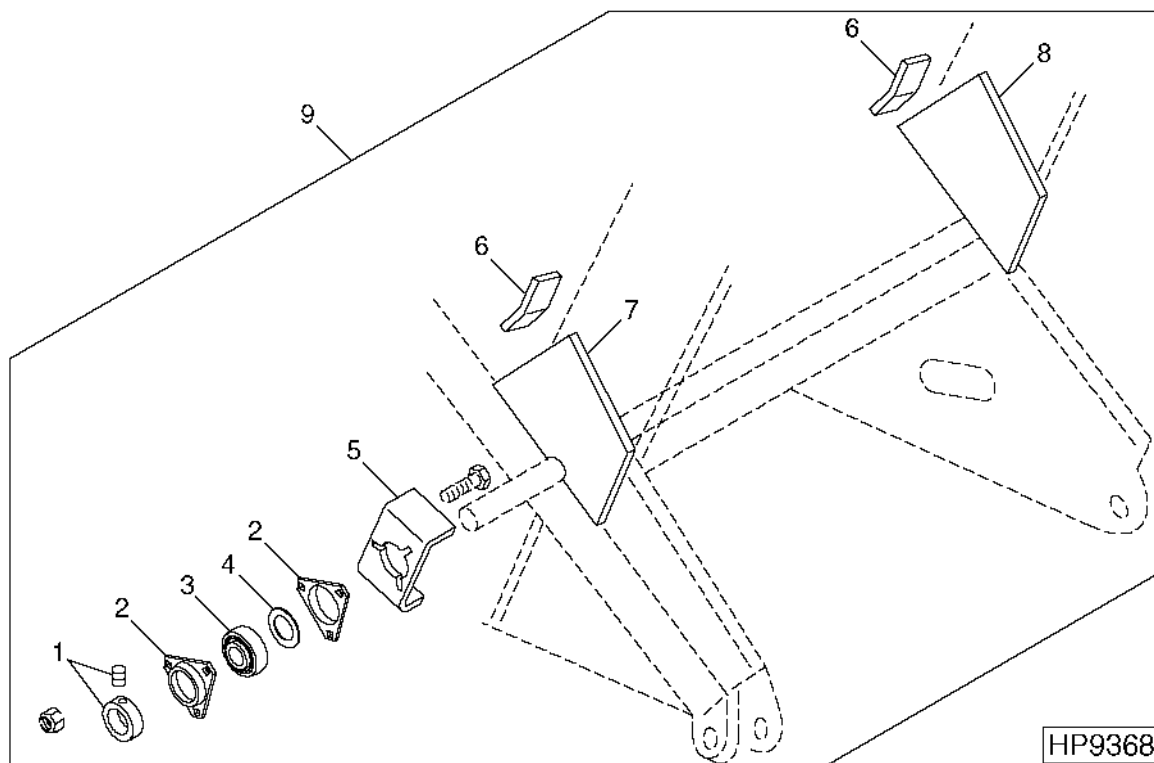
SEPARATOR FRAME- CONTINUED

KEY	PART NO.	PART NAME	QTY	SERIAL NO.	REMARKS
1	19M7831	SCREW	2		
2	H134666	RETAINER	2	-635100	
	H158749	RETAINER	2		(SUB FOR H140645 OR H147074)
3	FRAME	1		
4	AH132361	CROSSBAR	2		
5	03M7247	BOLT	8	-650326	M10 X 90
	03M7247	BOLT	4	650327-	M10 X 90
	19M7811	SCREW	4	650327-	M10 X 90
6	14M7296	FLANGE NUT	8		
7	19M7865	SCREW	2		M8 X 16
8	H132539	COVER	1		
9	14M7298	FLANGE NUT	2		M8
10	H130349	COVER	2		
11	SEAL	2		CUT TO LENGTH FROM AH133091 50 FT ROLL
12	SEAL	2		CUT TO LENGTH FROM AH133091 50 FT ROLL
13	H89544	DOOR	4		TO CHECK CYLINDER TO CONCAVE CLEARANCE
14	24M7178	WASHER	10		10.500 X 30 X 2.500 MM
15	37M7080	SCREW	10		M10 X 30, THRU ENGINE PLATFORM AND INTO FRAME SILL WELD NUT
16	03M7185	BOLT	4		M8 X 25
17	P47159	CLAMP	4		
18	14M7020	WING NUT	4		M8
19	H120379	SPACER	4		
20	H132926	PLUG	4		
21	H140866	CLAMP	1	640101-	
22	H148000	PLUG	1		KNOCK OUT PLUG (TO CONVERT TO RICE CYLINDER) IF LOST - WELD IN PLACE
23	AH140485	BRACKET	1	645101-	L. H.
	AH140484	BRACKET	1	645101-	R.H.
24	H144715	SHIELD	1	645101-	L. H.
	H144716	SHIELD	1	645101-	R.H.
25	H144717	SHIELD	1	645101-	L.H.
26	19M7785	SCREW	3	645101-	M10 X 25
27	19M8292	SCREW	3	645301-	M10 X 50
28	37M7089	SCREW	2	645301-	M6 X 12
29	SEAL	1		CUT TO 180 MM FROM AH133091
30	H160265	REINFORCEMENT	1	19MAY7-	

4F18

SEPARATOR SHELL

NO. 1 UPRIGHT KIT
HP9368 -UN-30NOV99

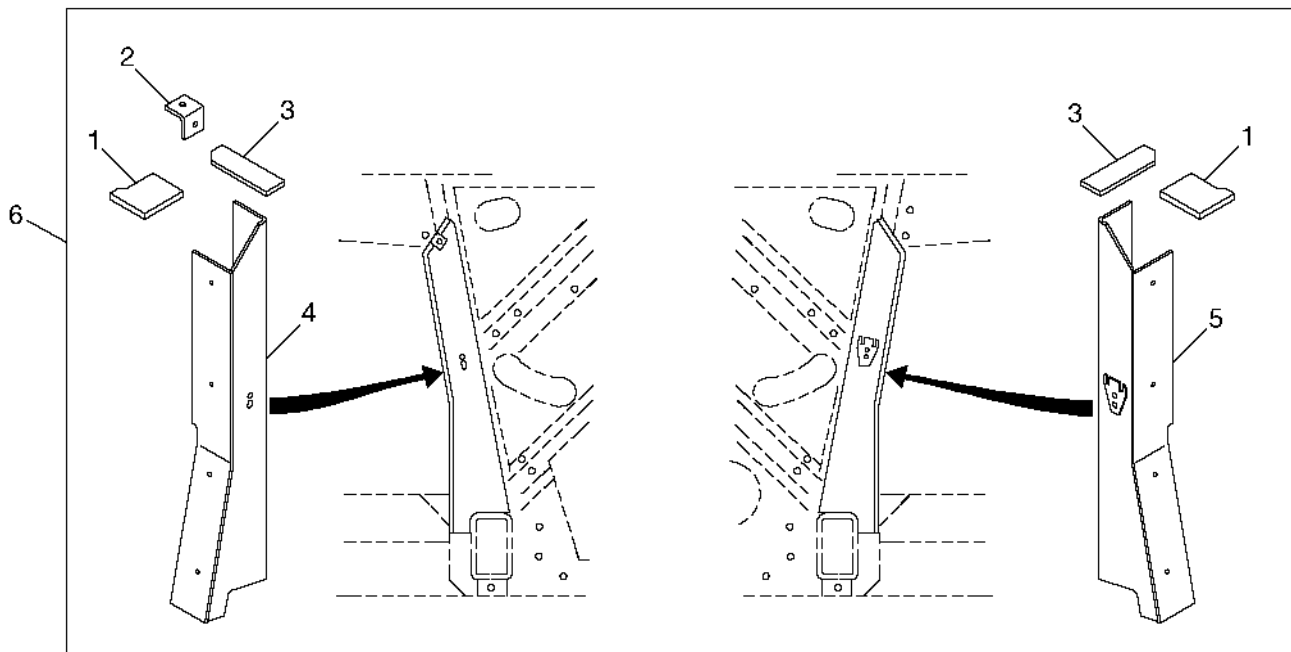


KEY	PART NO.	PART NAME	QTY	SERIAL NO.	REMARKS
1	AH129452	ECCENTRIC LOCKING COLLAR	1		
2	E10018	PRESSED FLANGED HOUSING	2		
3	AH129451	BALL BEARING	1		
4	H102533	SHIM	1		
5	BRACKET	1		
6	ANGLE	2		
7	PLATE	1		R.H.
8	PLATE	1		L.H.
9	AH140312	KIT	1		

4F19

SEPARATOR SHELL

NO. 5 UPRIGHT KIT
 HP9369 -UN-01DEC99



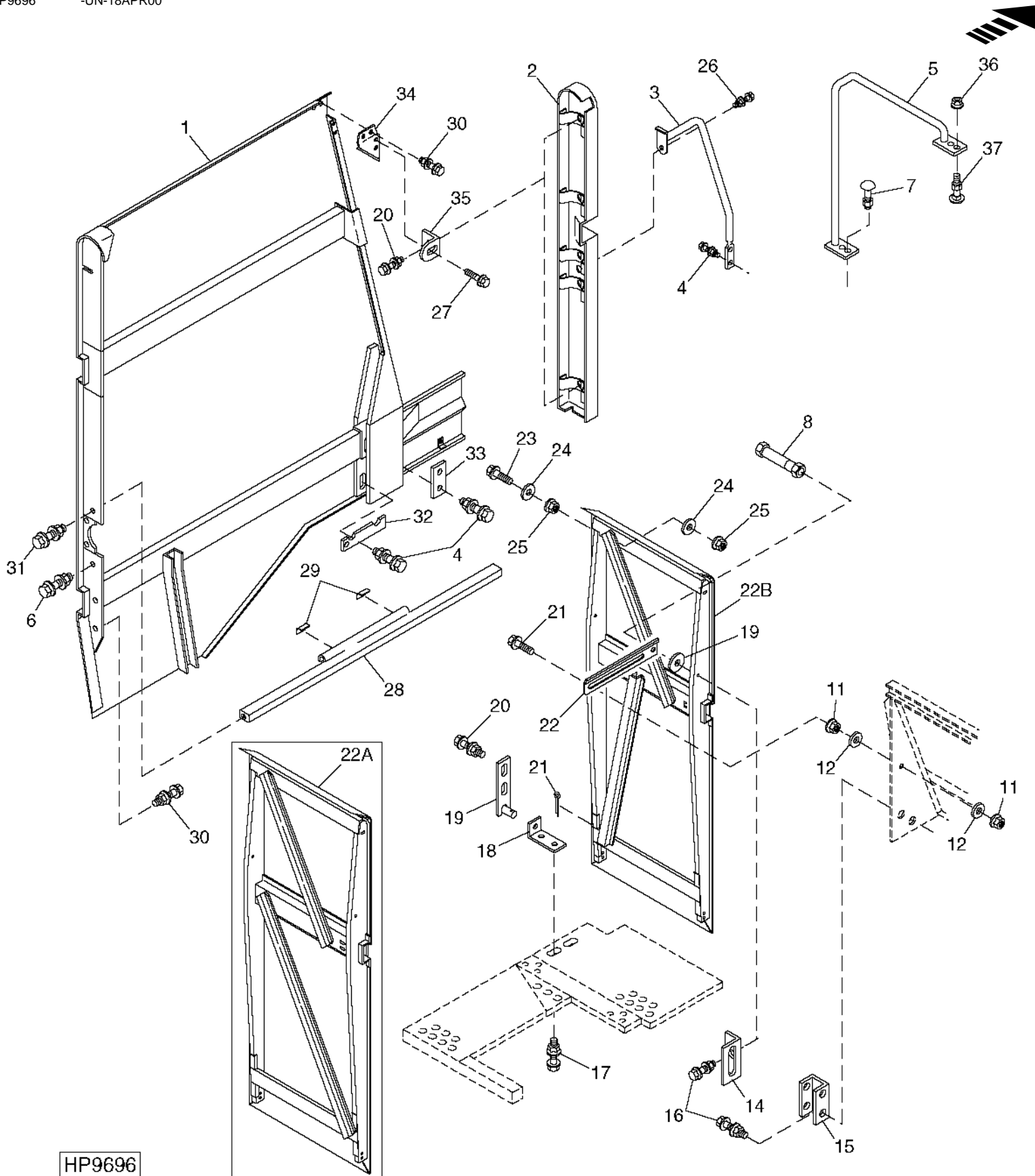
HP9369

KEY	PART NO.	PART NAME	QTY	SERIAL NO.	REMARKS
1	PLATE	2		
2	H145700	ANGLE	1		
3	H146057	REINFORCEMENT	2		
4	AH139570	REINFORCEMENT	1	R.H.	
5	AH139571	REINFORCEMENT	1	L.H.	
6	AH140427	KIT	1		

4F20

SEPARATOR SHELL

ENGINE ACCESS DOOR, HANDRAILS, AND RADIATOR DOOR
HP9696 -UN-18APR00



HP9696

4F21

SEPARATOR SHELL

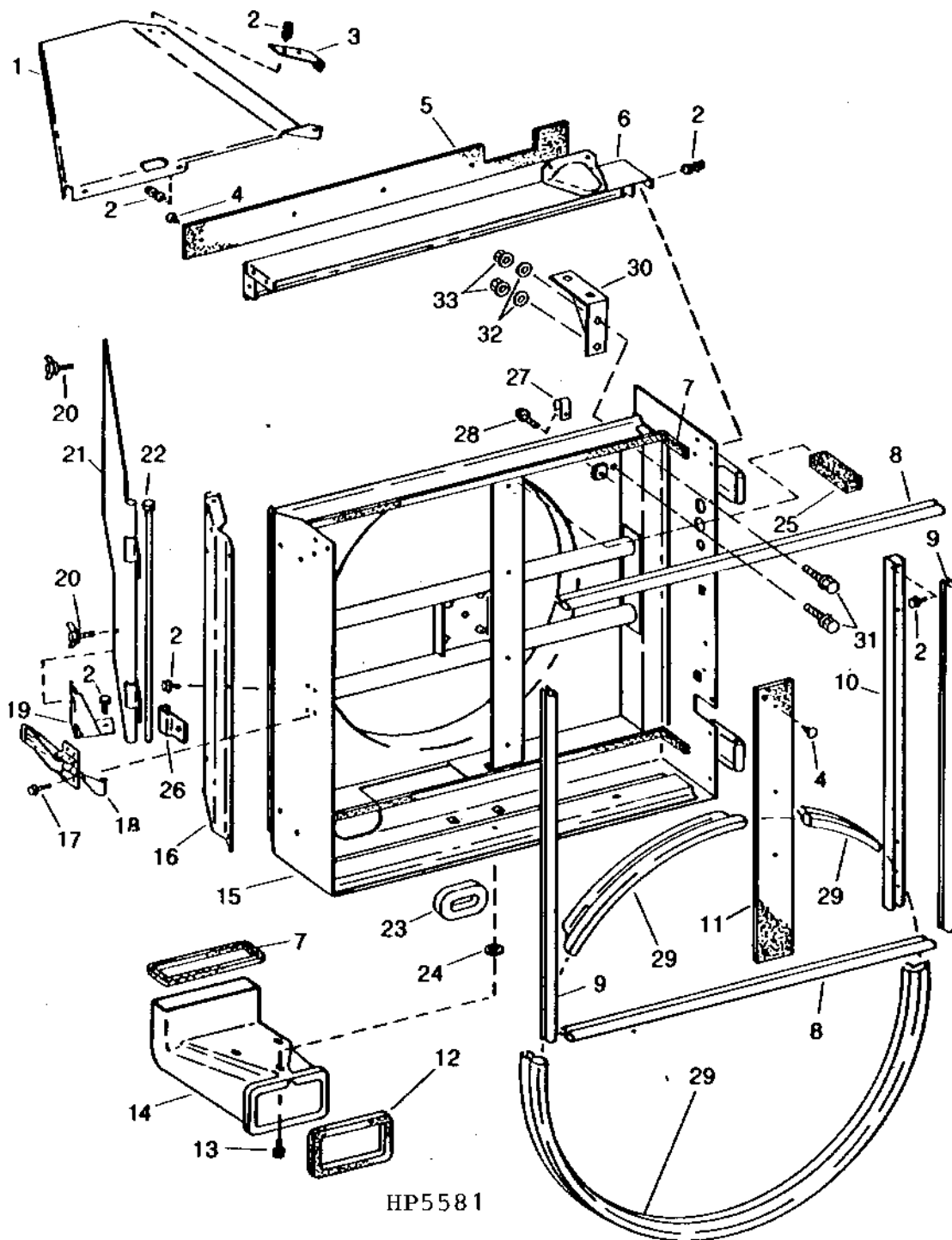
ENGINE ACCESS DOOR, HANDRAILS, AND RADIATOR DOOR - CONTINUED

KEY	PART NO.	PART NAME	QTY	SERIAL NO.	REMARKS
1	AH136163	DOOR	1		
2	AH126015	PANEL	1		(SUB FOR AH126013)
3	AH126016	HANDRAIL	1		
4	19M7785	SCREW	6	M10 X 25	
	14M7296	FLANGE NUT	6	M10	
5	AH125686	HANDRAIL	1		
6	19M7785	SCREW	5	M10 X 25	
7	03M7192	BOLT	2	M10 X 30	
	14M7296	FLANGE NUT	2	M10	
8	53M7003	SCREW	1	M8 X 25	
	E64256	LOCK NUT	1		
9	24M7178	WASHER	1	10.500 X 30 X 2.500 MM	
10	H132511	STOP	1		
11	14M7273	NUT	2	M8	
12	24M7207	WASHER	2	8.400 X 24 X 2 MM	
13	19M8319	SCREW	1	M8 X 50	
14	H134072	ANGLE	1		
15	H134073	STOP	1		
16	19M7866	SCREW	4	M8 X 20	
	14M7298	FLANGE NUT	4	M8	
17	03M7185	BOLT	4	M8 X 25	
	24M7207	WASHER	4	8.400 X 24 X 2 MM	
	14M7298	FLANGE NUT	4	M8	
18	H130246	HINGE	2		
19	AH125575	PLATE	2		
20	03M7184	BOLT	7	M8 X 20	
	14M7298	FLANGE NUT	7	M8	
21	11M7012	COTTER PIN	2	3.200 X 16 MM	
22A	AH133830	DOOR	1		(SUB AH168934) (SUB FOR AH125574)
22B	AH168934	DOOR	1		
23	H133042	PIN	1		
24	24M7180	WASHER	2	13 X 37 X 3 MM	
25	14M7299	FLANGE NUT	2	M12	
26	19M7785	SCREW	1	M10 X 25	
	24M7101	WASHER	1	11 X 34 X 3 MM	
	14M7296	FLANGE NUT	1	M10	
27	19M7866	SCREW	3	M8 X 20	
28	H130967	REINFORCEMENT	1		
29	Z39238	FOAM PAD	2		
30	19M7865	SCREW	4	M8 X 16	
	14M7298	FLANGE NUT	4	M8	
31	19M7784	SCREW	2	M10 X 20	
	14M7296	FLANGE NUT	2	M10	
32	H132793	STRAP	AR		
33	H132992	PLATE	2		
34	H134403	REINFORCEMENT	1		
35	H130968	ANGLE	3		
36	14M7296	FLANGE NUT	2	M10	
37	03M7307	BOLT	2	M10 X 25	

4F22

SEPARATOR SHELL

RADIATOR SHELL AND SEALS
HP5581 -UN-01JAN94



HP5581

4F23

SEPARATOR SHELL

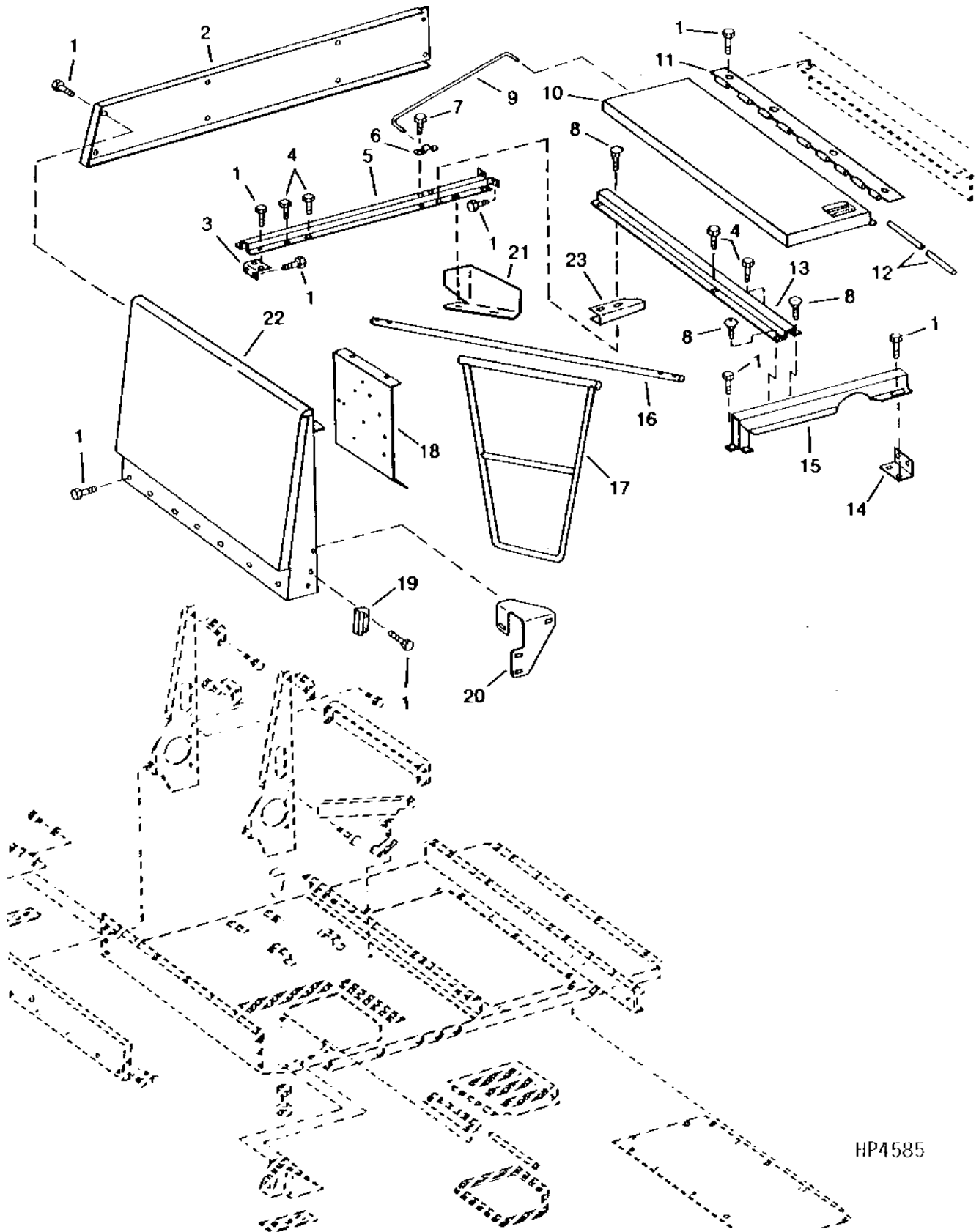
RADIATOR SHELL AND SEALS - CONTINUED

KEY	PART NO.	PART NAME	QTY	SERIAL NO.	REMARKS
1	AH130954	SHEET	1	-645100	
	AH138097	SHEET	1	645101-665539	
	AH151333	SHEET	1	665540-	
2	19M7865	SCREW	1		M8 X 16, WITH 6359 ENGINE
	24M7207	WASHER	2	655101-	
3	H134909	BRACKET	1	-665539	
	H154362	BRACKET	1	665540-	
4	H116740	PLUG	9		
5	H134525	SEAL	1	-650350	(SUB H146765)
	H146765	BARRIER	2	-660491	
	H154195	SEAL	1	660492-	
6	AH130515	CHANNEL	1		
	AH138212	CHANNEL	1	640101-	
	AH139255	CHANNEL	1		
	AH139384	CHANNEL	1	650113-	USE WITH AH128257 RADIATOR
	AH133226	CHANNEL	1	655317-	USE WITH AH144719 RADIATOR
7	SEAL	4		(CUT FROM H88769) CUT TO LENGTH; TWO PIECES AT 1440 MM, ONE PIECE AT 135MM AND ONE PIECE AT 780 MM
8	AH130548	ISOLATOR	2	-640100	(SUB AH140967) 1116 MM LONG.
	AH139256	ACOUSTICAL UPHOLSTERY	2	640101-640530	(SUB AH140967) ONE PIECE DESIGN - CUT METAL ONLY AT CORNERS DO NOT CUT BULB PART OF SEAL
9	ISOLATOR	2		USE AH130548 AND CUT TO 1037 MM
10	H134530	CHANNEL	1	-640684	(SUB H146260)
	H146260	CHANNEL	1		
11	H134520	SEAL	1		
12	AH131965	ISOLATOR	1		
13	19M7865	SCREW	1		
14	H123650	AIR DUCT	1	-635510	(SUB H143465)
	H143465	AIR DUCT	1		
15	AH130510	FRAME	1	-640100	(SUB AH139886)
	AH139886	FRAME	1		
	AH140553	FRAME	1	650101-665100	
	AH145233	FRAME	1	665101-	
16	H134527	SHEET	1		
17	37M7060	SCREW	AR		M4 X 10
18	AH87272	LATCH	1		
19	AH131301	BRACKET	1		
20	21M7243	WING SCREW	2		M8 X 16, (SUB 19M7865) THIS APPLICATION ONLY
	19M7865	SCREW	2		M8 X 16
21	H134915	DOOR	1		
22	H134917	PIN	1		
23	H128502	SEAL	1		
24	24M7207	WASHER	6	-635510	8.400 X 24 X 2 MM
	24M7207	WASHER	3	635511-	8.400 X 24 X 2 MM
	19M7864	SCREW	3	635511-	M8 X 12
25	H88769	ISOLATOR	1		(SUB FOR H140121)
26	H134913	HINGE	2		
27	AH89557	CLIP	1	-640194	
28	19M7865	SCREW	1		M8 X 16
29	AH140967	ACOUSTICAL UPHOLSTERY	1		
30	H146680	BRACKET	1		
31	19M7865	SCREW	2		M8 X 16
32	24M7207	WASHER	2		8.400 X 24 X 2 MM
33	14M7298	FLANGE NUT	2		M8
..	R62356	GROMMET	1		
..	R66718	GROMMET	1		
..	R71351	GROMMET	1		

4F24

SEPARATOR SHELL

ENGINE COMPARTMENT
(-640100)
HP4585 -UN-01JAN94



4F25

SEPARATOR SHELL

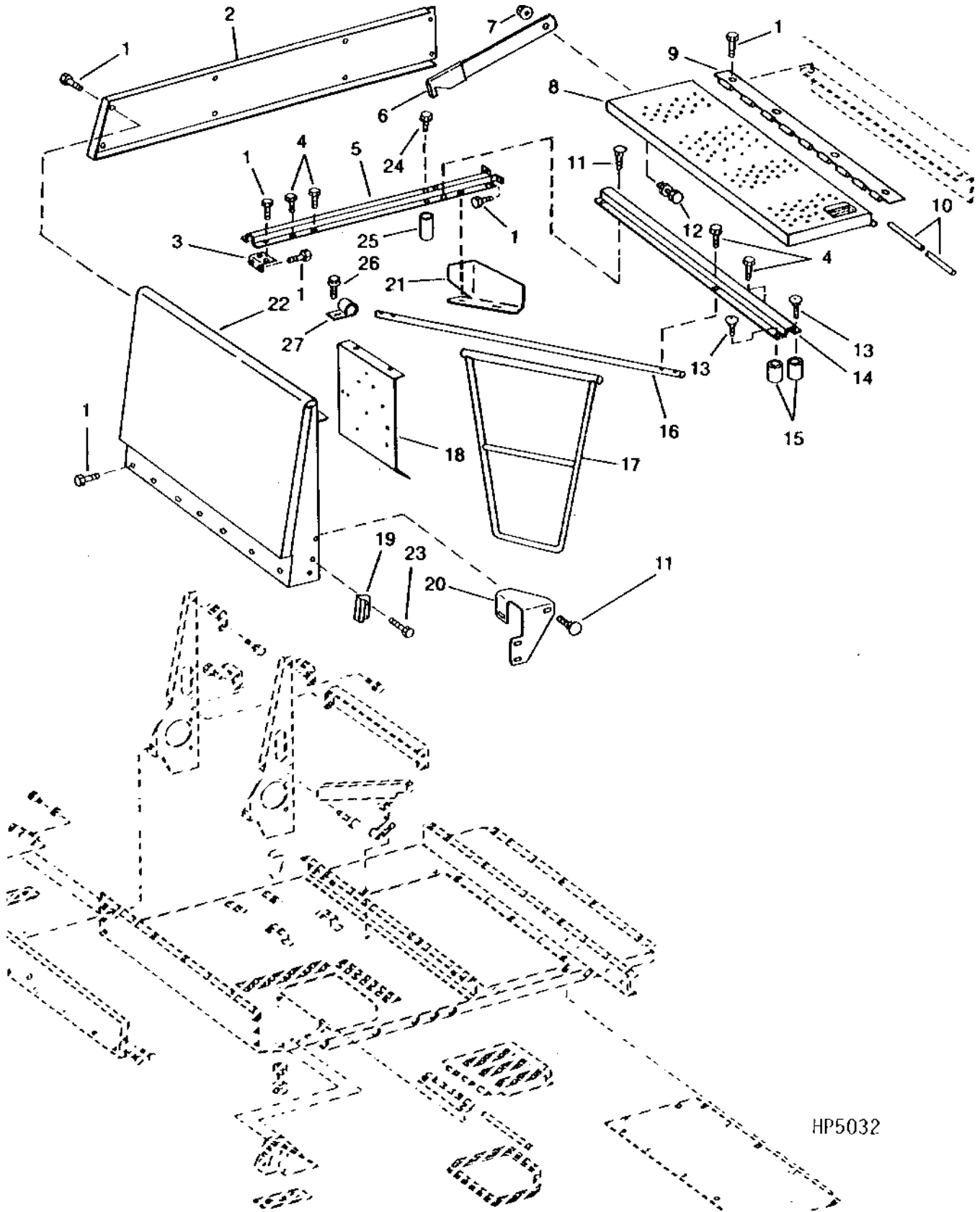
ENGINE COMPARTMENT - CONTINUED
(-640100)

KEY	PART NO.	PART NAME	QTY	SERIAL NO.	REMARKS
1	19M7865	SCREW	1	-640100	M8 X 16
	14M7298	FLANGE NUT	1		M8
	14M7298	FLANGE NUT	1	-640100	M8
2	H134106	PANEL	1		
3	H128744	ANGLE	1		
4	19M8290	SCREW	4		M6 X 35
	14M7397	LOCK NUT	4		M6
5	AH129195	CHANNEL	1		
6	H99600	CLAMP	1		
7	19M7774	SCREW	1		M6 X 12
	14M7272	NUT	1		M6
8	03M7183	BOLT	1		
	14M7298	FLANGE NUT	1		
9	H136591	ROD	1		
	H142139	ROD	1	-640100	
	AH136616	BRACE	1	640101-	
10	AH130951	DOOR	1	-640100	(SUB AH136455)
	AH136455	DOOR	1		
11	H134738	HINGE	1		
12	H134930	PIN	1		MAKE FROM H99599, 1165 MM LONG
13	AH129196	CHANNEL	1	-645100	
	AH136504	CHANNEL	1		
14	H128744	ANGLE	1		
15	AH129194	CHANNEL	1	-635202	
16	H135147	TUBE	1		
17	AH129228	LADDER	1		
18	AH130497	PLATE	1		
19	H134073	STOP	1		
20	H137267	REINFORCEMENT	1		
21	H135610	DEFLECTOR	1	-635202	
22	AH130172	PANEL	1	-635243	(SUB AH136046)
	AH136046	PANEL	1		
23	H143529	CHANNEL	1	-640684	

4G1

SEPARATOR SHELL

ENGINE COMPARTMENT
(640101-)
HP5032 -UN-01JAN94



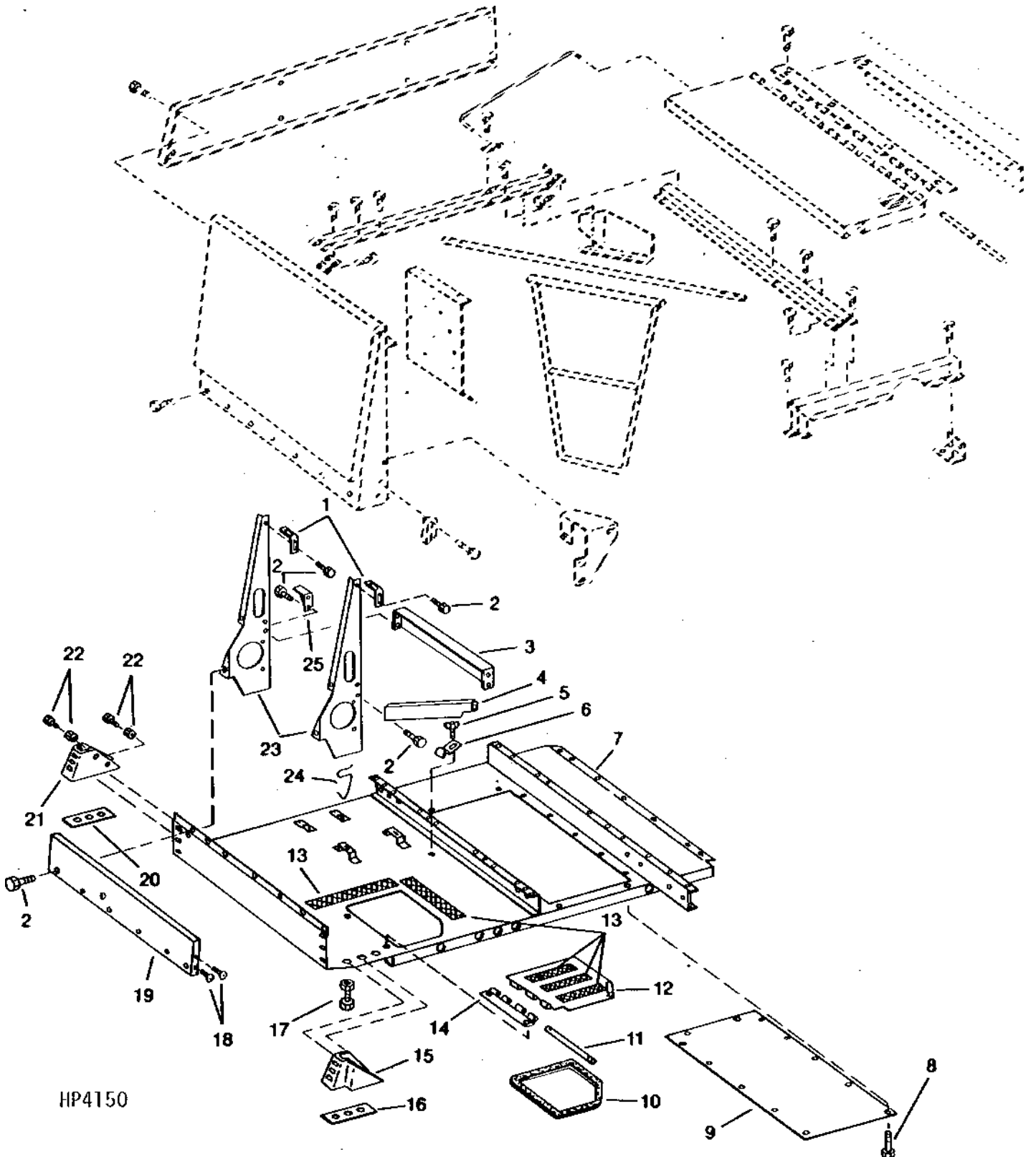
ENGINE COMPARTMENT - CONTINUED
(640101-)

KEY	PART NO.	PART NAME	QTY	SERIAL NO.	REMARKS
1	19M7865	SCREW	110		M8 X 16
	14M7298	FLANGE NUT	110		M8
2	H134106	PANEL	1		L.H.
3	H128744	ANGLE	1		
4	19M8290	SCREW	4		M6 X 35
	14M7397	LOCK NUT	4		M6
5	AH129195	CHANNEL	1		L.H.
6	AH136616	BRACE	1		
7	14M7396	LOCK NUT	1		M8
8	AH136455	DOOR	1		
9	H134738	HINGE	1		
10	H134930	PIN	1		MAKE FROM H99599, 1 165 MM LONG
11	03M7183	BOLT	1		M8 X 16
	14M7298	FLANGE NUT	1		M8
12	19M7868	SCREW	1		M8 X 30
	14M7273	NUT	1		M8
13	37M7102	SCREW	2		M8 X 40
14	AH136504	CHANNEL	1	-2DEC96	REAR
	AH152323	CHANNEL	1	2DEC96-	REAR
15	H141836	BUSHING	2		
16	H135147	TUBE	1		
17	AH129228	LADDER	1		
18	AH130497	PLATE	1		
19	H134073	STOP	1		
20	H137267	REINFORCEMENT	1		REAR WALL
21	H135610	DEFLECTOR	1		
22	AH136046	PANEL	1		UPPER REAR
23	19M7866	SCREW	2	-665319	M8 X 20
	19M7866	SCREW	1	665320-	M8 X 20
	14M7298	FLANGE NUT	1	665320-	M8
24	19M8318	SCREW	1		M8 X 45
25	28H1633	BUSHING	1		
26	19M7865	SCREW	1		M8 X 16
27	H136577	CLAMP	1		

4G3

SEPARATOR SHELL

ENGINE COMPARTMENT
(-640100)
HP4150 -UN-01JAN94



HP4150

4G4

SEPARATOR SHELL

ENGINE COMPARTMENT - CONTINUED

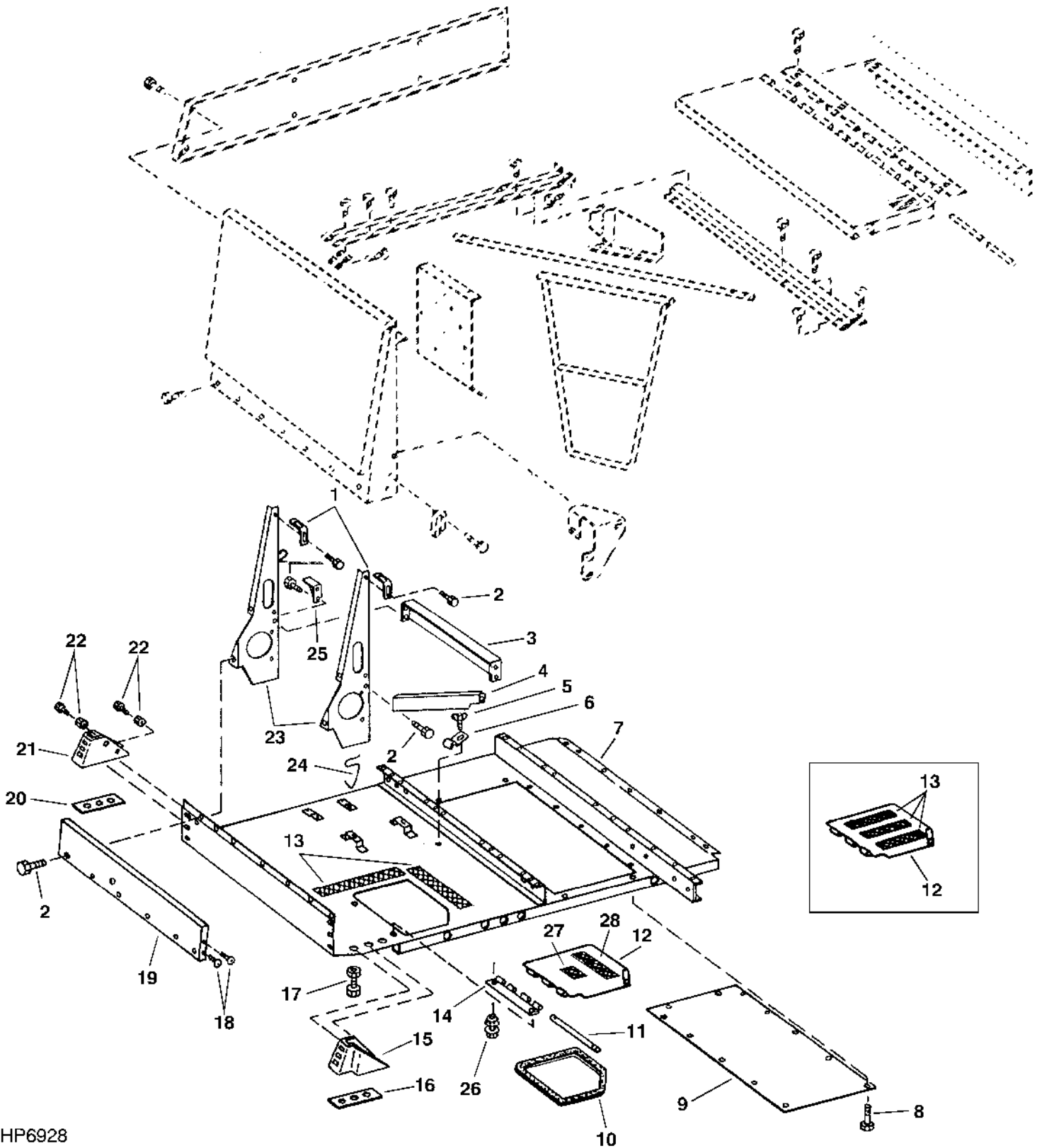
(-640100)

KEY	PART NO.	PART NAME	QTY	SERIAL NO.	REMARKS
1	H131526	ANGLE	2		
2	19M7865	SCREW	1		M8 X 16
	14M7298	FLANGE NUT	1		M8
3	H134102	CHANNEL	1		
4	H134108	GUSSET	1		
5	21M7243	WING SCREW	1		M8 X 16, (SUB 19M7865, THIS APPLICATION)
	19M7865	SCREW	1		M8 X 16
6	H135148	HALF CLAMP	1		
7	AH130463	FRAME	1	-635271	(SUB AH135929)
	AH135929	FRAME	1		(SUB AH147479)
8	37M7092	SCREW	16	-640100	M8 X 16
	37M7058	SCREW	16	640101-	M8 X 20
9	H127097	SHEET	1	-650538	(SUB H150317)
	H150317	SHEET	1		
10	AH122244	ISOLATOR	1		
11	H134464	PIN	1		
12	AH130506	DOOR	1		
13	H131743	MAT	2		
14	H134506	HINGE	1		
15	H137261	SUPPORT	1		(SUB H165585) R.H.
	H165585	SUPPORT	1		R.H.
16	H135393	STRAP	1		
17	19M7805	SCREW	4		
	19M7786	SCREW	2		
	14M7296	FLANGE NUT	6	-640100	M10
	14M7296	FLANGE NUT	4	640101-	M10
18	03M7183	BOLT	2		
19	AH130177	PANEL	1	-635243	(SUB AH136047)
	AH136047	PANEL	1		
20	H135392	STRAP	1		
21	H140225	SUPPORT	1		(SUB H165587) L.H.
	H165587	SUPPORT	1		L.H.
22	19M7866	SCREW	2		
	14M7298	FLANGE NUT	2		
23	H134107	GUSSET	1		
24	H135245	HOOK	1		
25	H134105	GUSSET	1		

4G5

SEPARATOR SHELL

ENGINE COMPARTMENT
(640101-)
HP6928 -UN-29AUG97



HP6928

4G6

SEPARATOR SHELL

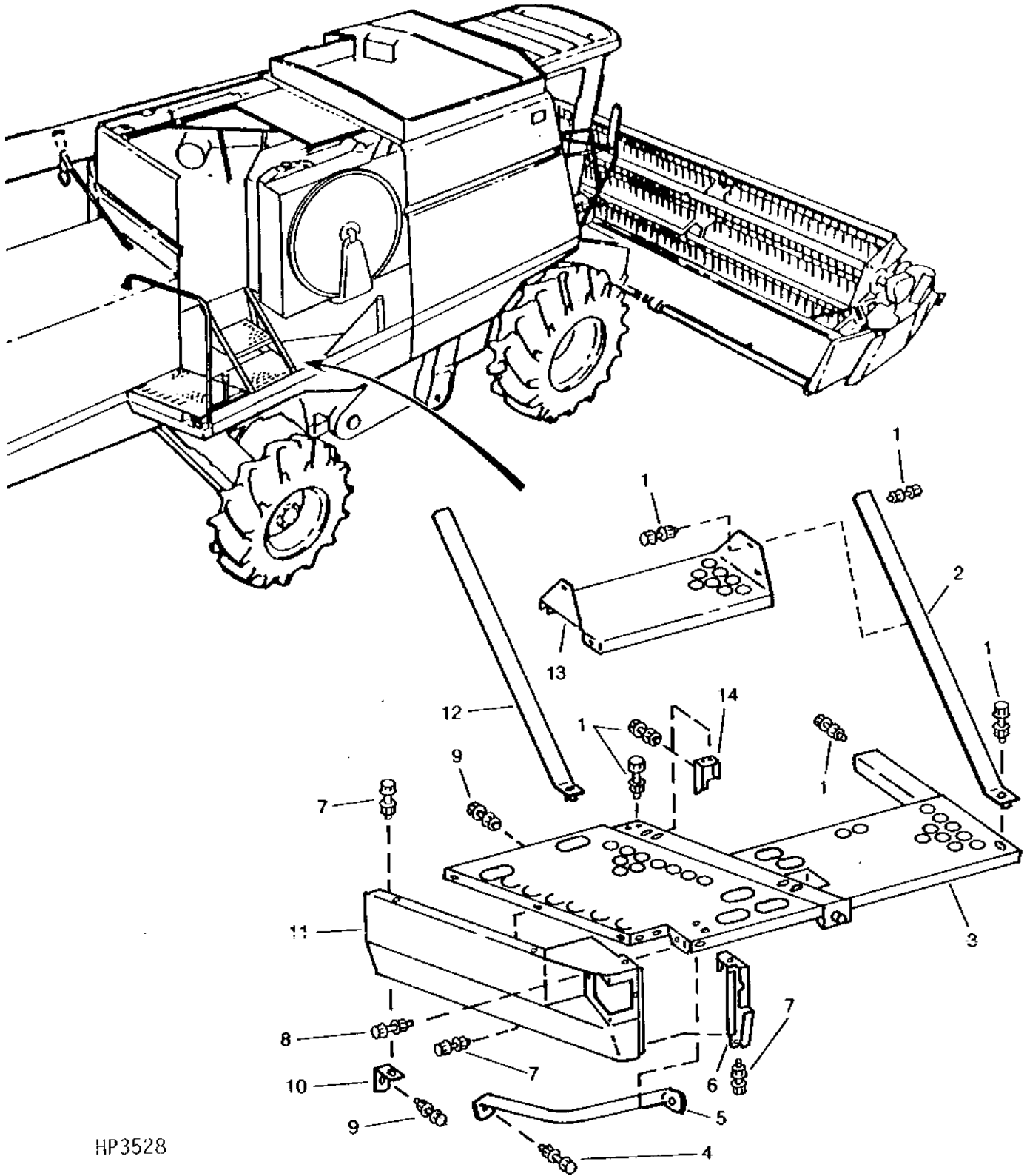
ENGINE COMPARTMENT - CONTINUED
(640101-)

KEY	PART NO.	PART NAME	QTY	SERIAL NO.	REMARKS
1	H131526	ANGLE	2		
2	19M7865	SCREW	7		M8 X 16
	14M7298	FLANGE NUT	7		M8
	14M7298	FLANGE NUT	2		M8
3	H134102	CHANNEL	1		
4	H134108	GUSSET	1		
5	21M7243	WING SCREW	1		M8 X 16
6	H135148	HALF CLAMP	1		
7	AH164364	FRAME	1		(SUB FOR AH135929, AH147479, AH149859) AND (AH154875 AND H161354)
8	37M7058	SCREW	16		M8 X 20
9	H127097	SHEET	1	-650538	(SUB H150317)
	H150317	SHEET	1		
10	AH122244	ISOLATOR	1		
11	H134464	PIN	1	-646240	(SUB H130057)
	H130057	PIN	1		
12	AH130506	DOOR	1		
13	H131743	MAT	2		
14	H134506	HINGE	1		
15	H137261	SUPPORT	1		(SUB H165585) R.H.
	H165585	SUPPORT	1		R.H.
16	H135393	STRAP	1		
17	19M7805	SCREW	4		M10 X 45
	14M7296	FLANGE NUT	4		M10
18	03M7183	BOLT	2		
19	AH136047	PANEL	1		LOWER REAR
20	H135392	STRAP	1		
21	H140225	SUPPORT	1		(SUB H165587) L.H.
	H165587	SUPPORT	1		L.H.
22	19M7866	SCREW	2		
	14M7298	FLANGE NUT	2		
23	H134107	GUSSET	1		
24	H135245	HOOK	1		
25	H134105	GUSSET	1		
26	19M7867	SCREW	2		M8 X 25
	14M7298	FLANGE NUT	2		M8
27	H136015	MAT	1	28APR7-	
28	H136014	MAT	1	28APR7-	

4G7

SEPARATOR SHELL

ENGINE ACCESS PLATFORM AND STEP
HP3528 -UN-01JAN94



HP3528

4G8

SEPARATOR SHELL

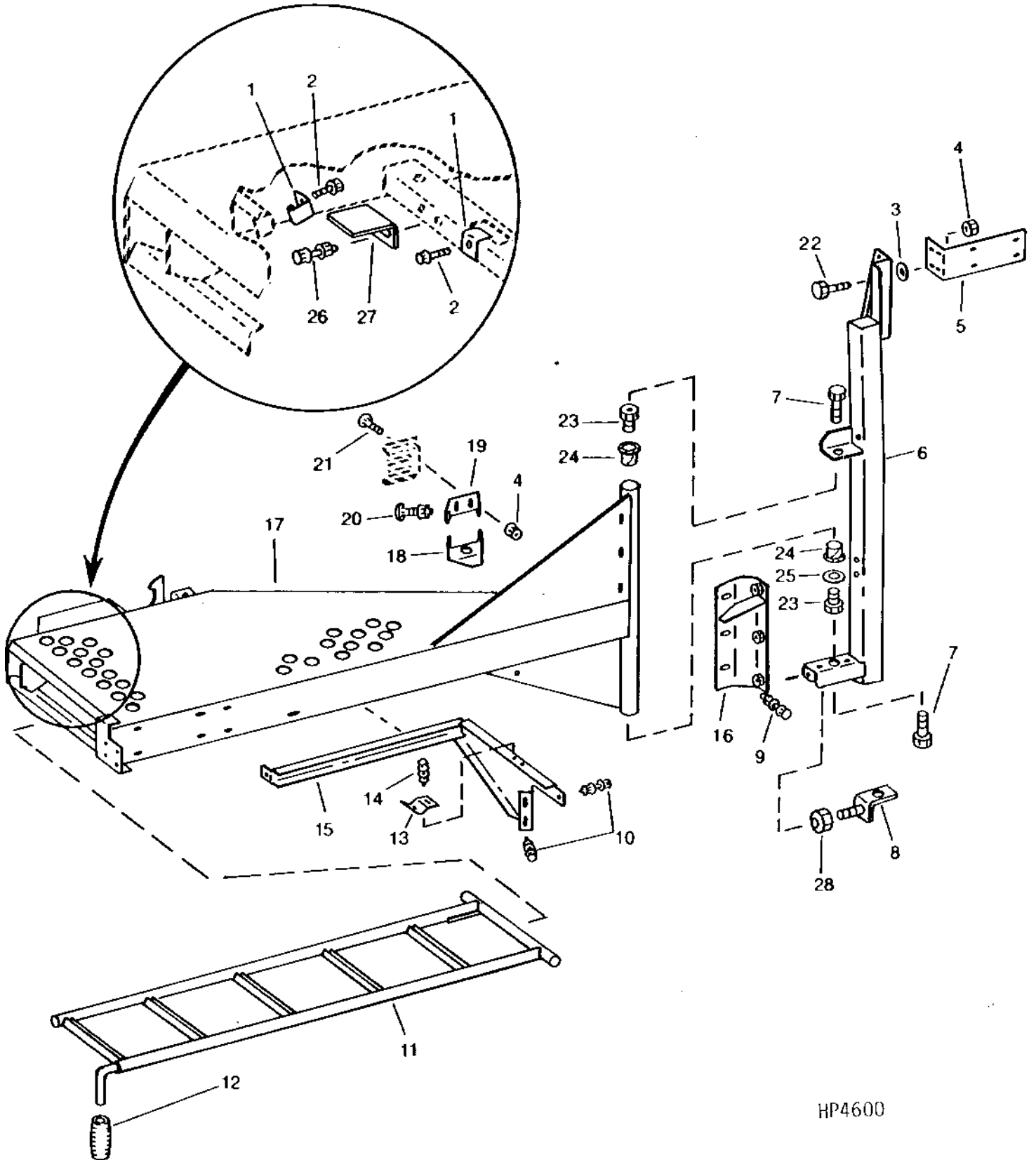
ENGINE ACCESS PLATFORM AND STEP - CONTINUED

KEY	PART NO.	PART NAME	QTY	SERIAL NO.	REMARKS
1	19M7784	SCREW	16		M10 X 20
	14M7296	FLANGE NUT	16		M10
2	H130424	ANGLE	1		
3	AH125684	PLATFORM	1	-635797	(SUB AH137935)
	AH137935	PLATFORM	1	635798-636100	
	AH135299	PLATFORM	1	640101-29SEP7	
	AH156187	PLATFORM	1	29SEP7-	
4	19M7785	SCREW	1		M10 X 25
	14M7296	FLANGE NUT	1		M10
5	H130432	BRACE	1		
6	H130431	PANEL	1		
7	19M7865	SCREW	7		M8 X 16
	14M7298	FLANGE NUT	7		M8
8	03M7185	BOLT	1		M8 X 25
	14M7298	FLANGE NUT	1		M8
9	19M7866	SCREW	4		M8 X 20
	14M7298	FLANGE NUT	4		M8
10	H131526	ANGLE	1		
11	AH125685	PANEL	1		
12	H130425	ANGLE	1		
13	AH127837	STEP	1		
14	H134081	SUPPORT	1		

4G9

SEPARATOR SHELL

REAR LADDER AND LANDING
HP4600 -UN-01JAN94



HP4600

4G10

SEPARATOR SHELL

REAR LADDER AND LANDING - CONTINUED

KEY	PART NO.	PART NAME	QTY	SERIAL NO.	REMARKS
1	H130555	STRIP	4		
2	37M7060	SCREW	4		M4 X 10
3	H141123	NUT	5		
4	14M7296	FLANGE NUT	7		M10
5	H129885	ANGLE	1		
6	AH124945	SUPPORT	1	-635797	
	AH137254	SUPPORT	1	635798-	
7	19M7851	SCREW	2		M20 X 60
8	AH120216	ADJUSTER	1		
9	19M7784	SCREW	3		M10 X 20
	14M7296	FLANGE NUT	3		M10
10	19M7865	SCREW	4		M8 X 16
	14M7298	FLANGE NUT	4		M8
11	AH120645	LADDER	1	-640100	
	AH139782	LADDER	1	640101-	
12	C3203E	GRIP	1		
13	H120082	LATCH	1		
14	19M7774	SCREW	2		M6 X 12
	14M7303	FLANGE NUT	2		M6
15	AH130193	CHANNEL	1		
16	AH125788	BRACKET	1		
17	AH125787	PLATFORM	1		(SUB AH136307)
	AH136307	PLATFORM	1	-640100	
	AH135298	PLATFORM	1	640101-	
18	H133153	CATCH	1	-635109	(SUB H142035)
	H142035	CATCH	1		
19	H133152	BRACKET	1		
20	03M7190	BOLT	2		M10 X 20
	24M7178	WASHER	2		10.500 X 30 X 2.500 MM
	14M7296	FLANGE NUT	2		M10
21	03M7190	BOLT	2		M10 X 20
22	19M7785	SCREW	5		M10 X 25
23	H119411	PIN	2		
24	T40867	BUSHING	2		
25	Z39386	WASHER	1		
26	19M7775	SCREW	2		M6 X 16
	14M7303	FLANGE NUT	2		M6
27	H129004	ANGLE	1		
28	A31867	LOCK NUT	1		

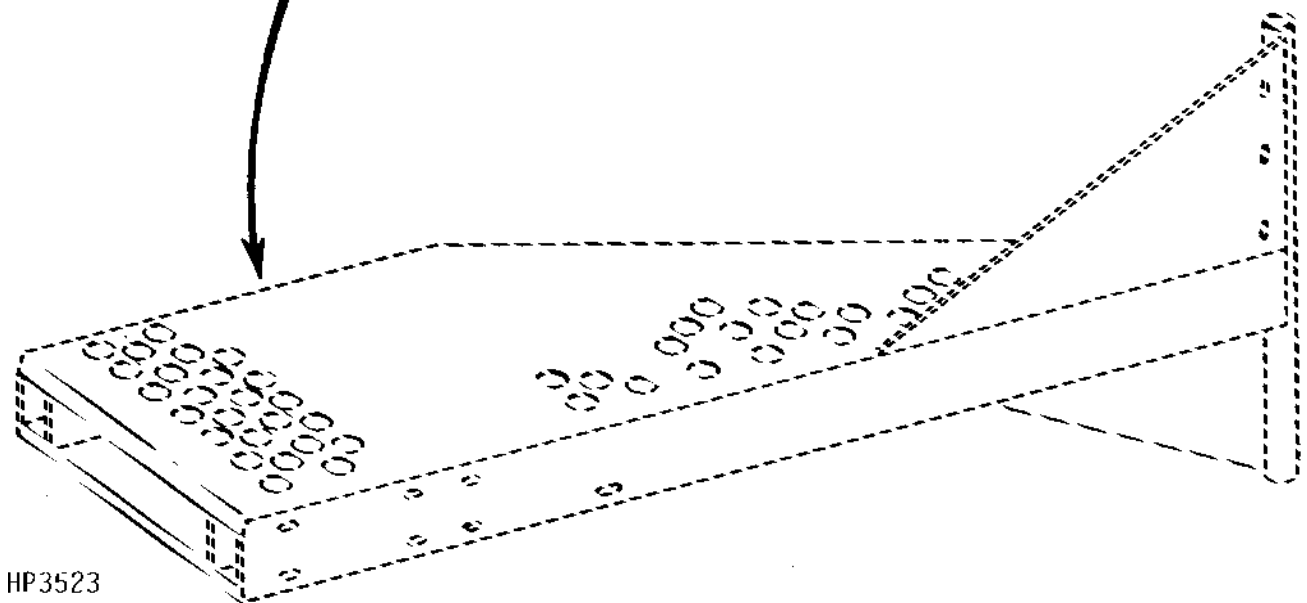
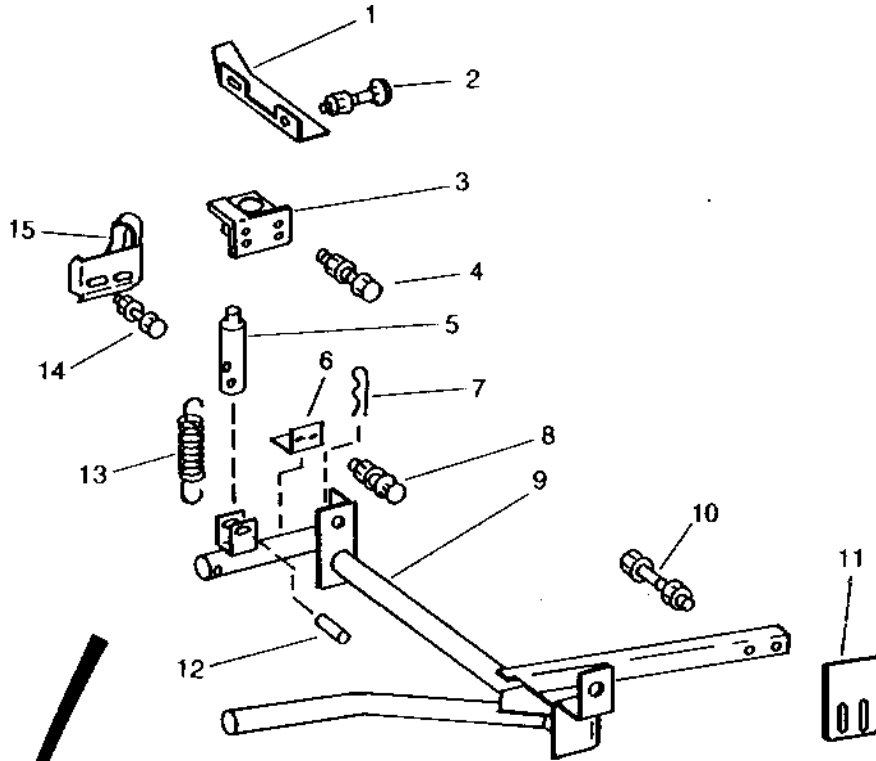
4G11

SEPARATOR SHELL

REAR LADDER LANDING LATCH ARM

(-640100)

HP3523 -UN-01JAN94



HP3523

4G12

SEPARATOR SHELL

REAR LADDER LANDING LATCH ARM - CONTINUED
(-640100)

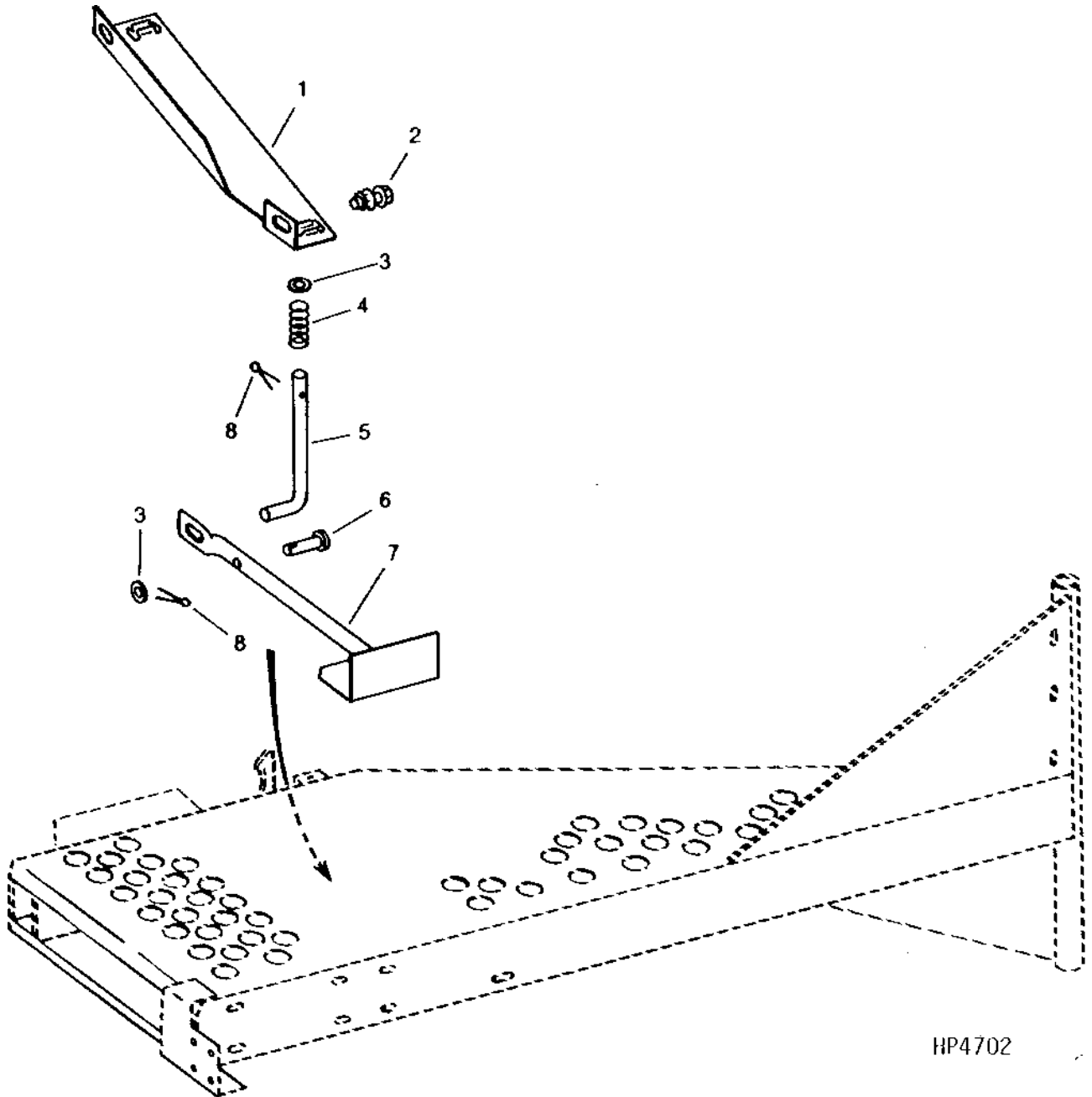
KEY	PART NO.	PART NAME	QTY	SERIAL NO.	REMARKS
1	H130615	CATCH	1		
2	03M7190	BOLT	2	M10 X 20	
	14M7296	FLANGE NUT	2	M10	
3	AH130094	BRACKET	1		
4	19M7865	SCREW	4	M8 X 16	
	14M7298	FLANGE NUT	4	M8	
5	H129760	PIN	1		
6	H129004	ANGLE	1		
7	J16931	SPRING LOCKING PIN	2		
8	19M7775	SCREW	2	M6 X 16	
	14M7303	FLANGE NUT	2	M6	
9	AH134656	ARM	1		
10	19M7784	SCREW	2	M10 X 20	
	24M7178	WASHER	2	10.500 X 30 X 2.500 MM	
	14M7296	FLANGE NUT	2	M10	
11	H137458	PLATE	1		
12	34M7048	SPRING PIN	1	8 X 45 MM	
13	H114562	EXTENSION SPRING	1		
14	19M7784	SCREW	2	M10 X 20	
	14M7296	FLANGE NUT	2	M10	
15	AH128673	SUPPORT	1		

4G13

SEPARATOR SHELL

REAR LADDER LANDING LATCH ARM

(640101-)
HP4702 -UN-01JAN94



HP4702

4G14

SEPARATOR SHELL

REAR LADDER LANDING LATCH ARM - CONTINUED
(640101-)

KEY	PART NO.	PART NAME	QTY	SERIAL NO.	REMARKS
1	H140881	CATCH	1		
2	19M7784	SCREW	2		M10 X 20
	14M7296	FLANGE NUT	2		M10
3	24H1341	WASHER	2		17/32" X 15/16" X 0.060"
4	Y3082BN	SPRING	1		
5	H140872	PIN	1		
6	45M7054	PIN	1	-660270	10 X 50 MM, (SUB 45M7088)
	45M7088	PIN	1		10 X 55 MM
7	AH135300	ARM	1		
8	11M7059	COTTER PIN	2		3.200 X 20 MM

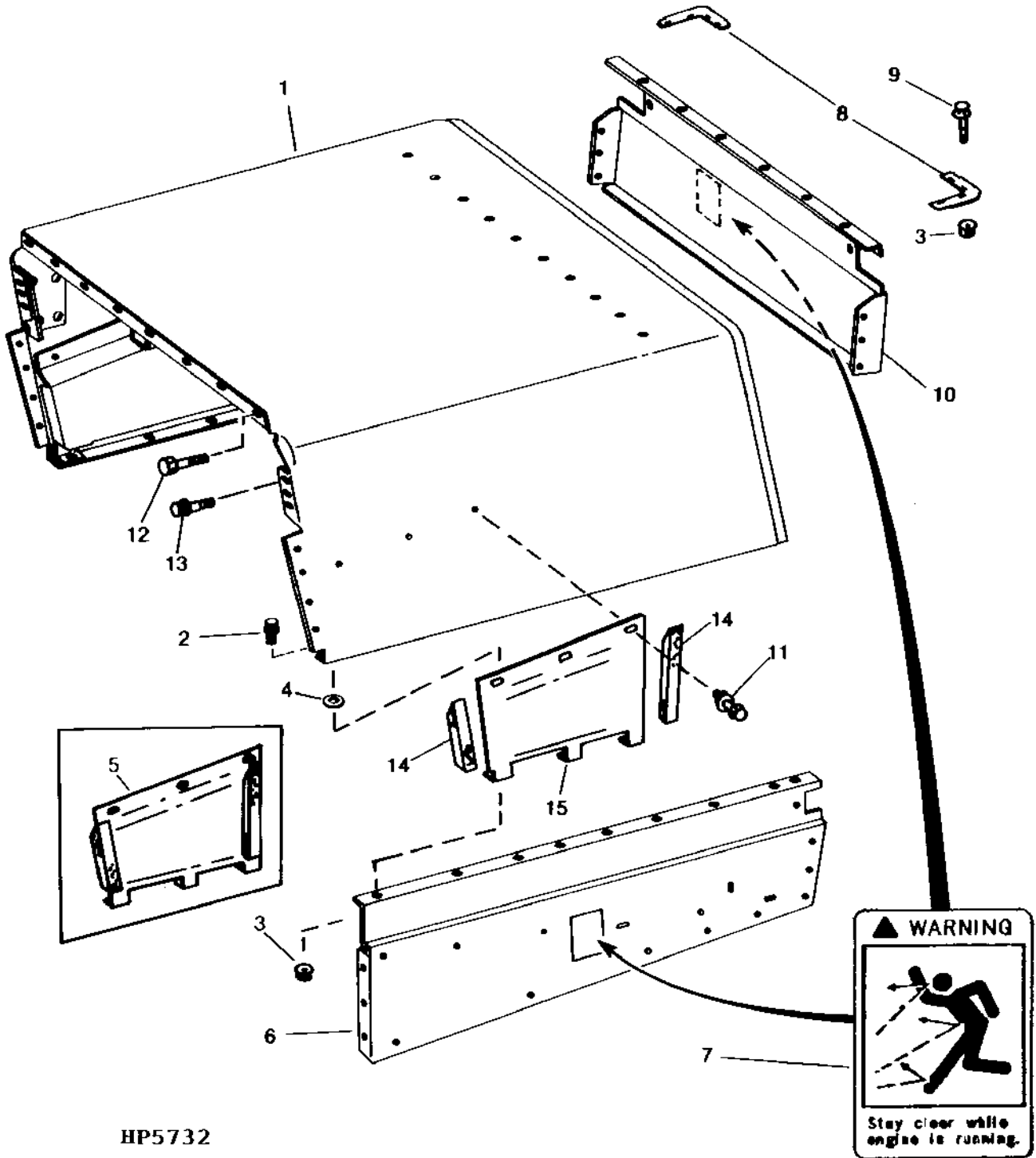
4G15

SEPARATOR SHELL

REAR HOOD

HP5732

-UN-20OCT94



HP5732

4G16

SEPARATOR SHELL

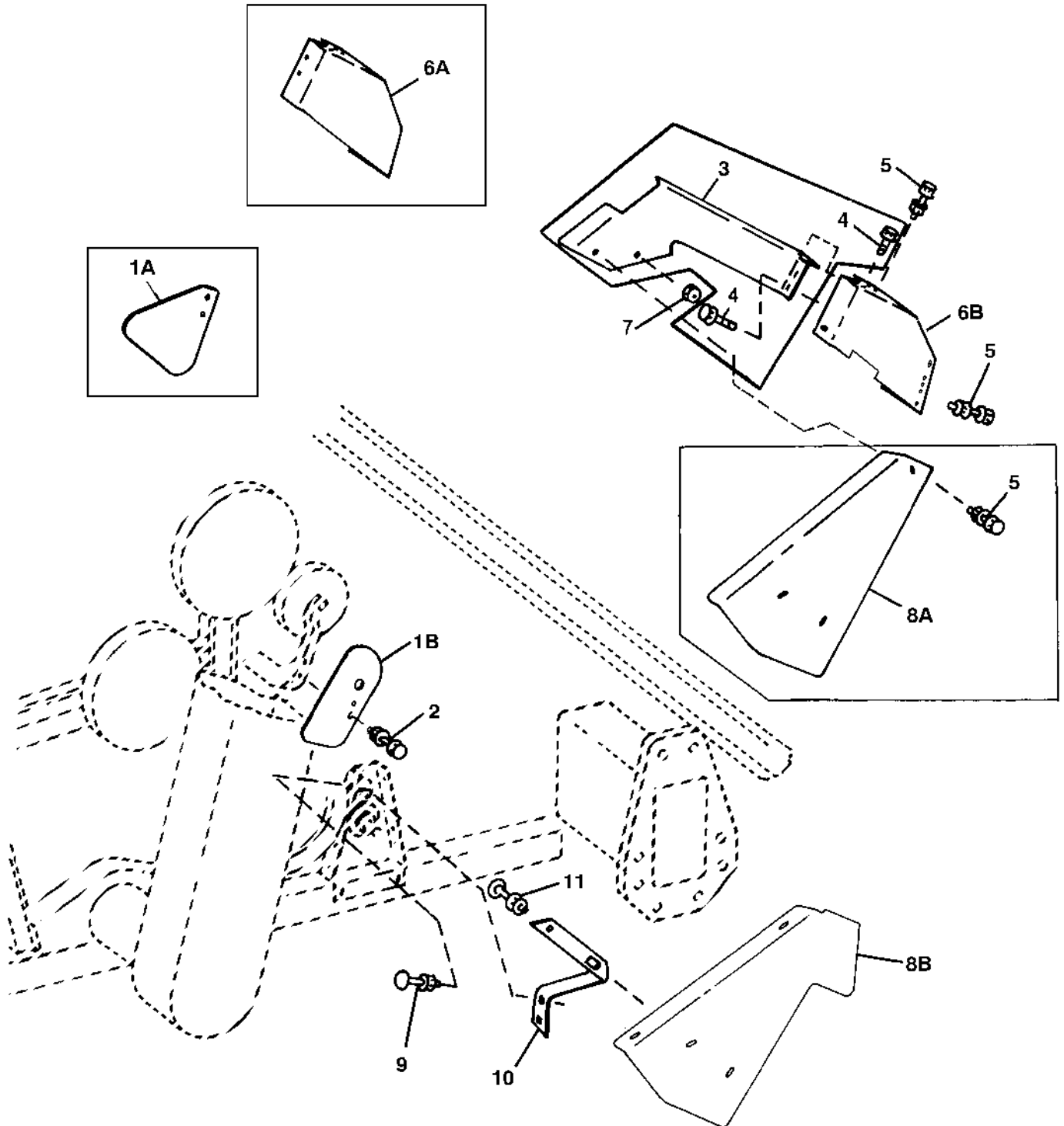
REAR HOOD - CONTINUED

KEY	PART NO.	PART NAME	QTY	SERIAL NO.	REMARKS
1	AH128697	HOOD	1	-645497	(SUB AH142011 AND (2) 14M7296)
	AH142011	HOOD	1		(REQUIRES (2) 14M7296)
2	19M7866	SCREW	AR		M8 X 20
3	14M7298	FLANGE NUT	AR		M8
4	24M7207	WASHER	4		8.400 X 24 X 2 MM
5	AH125792	PANEL	1	-655188	L.H.
	AH127274	PANEL	1	-655188	R.H.
6	AH134535	SHEET	1	-640100	L.H. INC. MOUNTED DECAL H138989
	AH135479	SHEET	1	640101-	
	AH134534	SHEET	1	-640100	R.H. INC MOUNTED DECAL H138989
	AH135478	SHEET	1	640101-	
7	H138989	LABEL	2	-660100	(SUB H149096)
	H149096	LABEL	2		"PROJECTILE WARNING" ON R.H. REAR HOOD
8	H137343	REINFORCEMENT	1		(SUB H150749)
	H150749	REINFORCEMENT	1	655135-	
9	19M7866	SCREW	2	-640816	M8 X 20
	19M7865	SCREW	2	640817-	
10	AH125794	SHEET	1	-640100	(SUB AH135482)
	AH135482	SHEET	1		
	H141088	DEFLECTOR	1	640101-	(CORN CHOPPER)
	H141088	DEFLECTOR	1	660401-	(GRAIN)
11	21M7089	SCREW	12		M8 X 20
	14M7298	FLANGE NUT	14		M8
12	19M7865	SCREW	AR		M8 X 16
13	37M7080	SCREW	6		M10 X 30
14	AH125793	WEATHERSTRIP	4		
15	AH127273	WEATHERSTRIP	1	-655154	R.H.
	AH144857	WEATHERSTRIP	1	655155-	R.H.
	AH126853	WEATHERSTRIP	1	-655154	L.H.
	AH144856	WEATHERSTRIP	1	655155-	L.H.

4G17

SEPARATOR SHELL

AUGER DRIVE SHIELDS (R.H. SIDE)
HP6538 -UN-15NOV96



HP6538

4G18

SEPARATOR SHELL

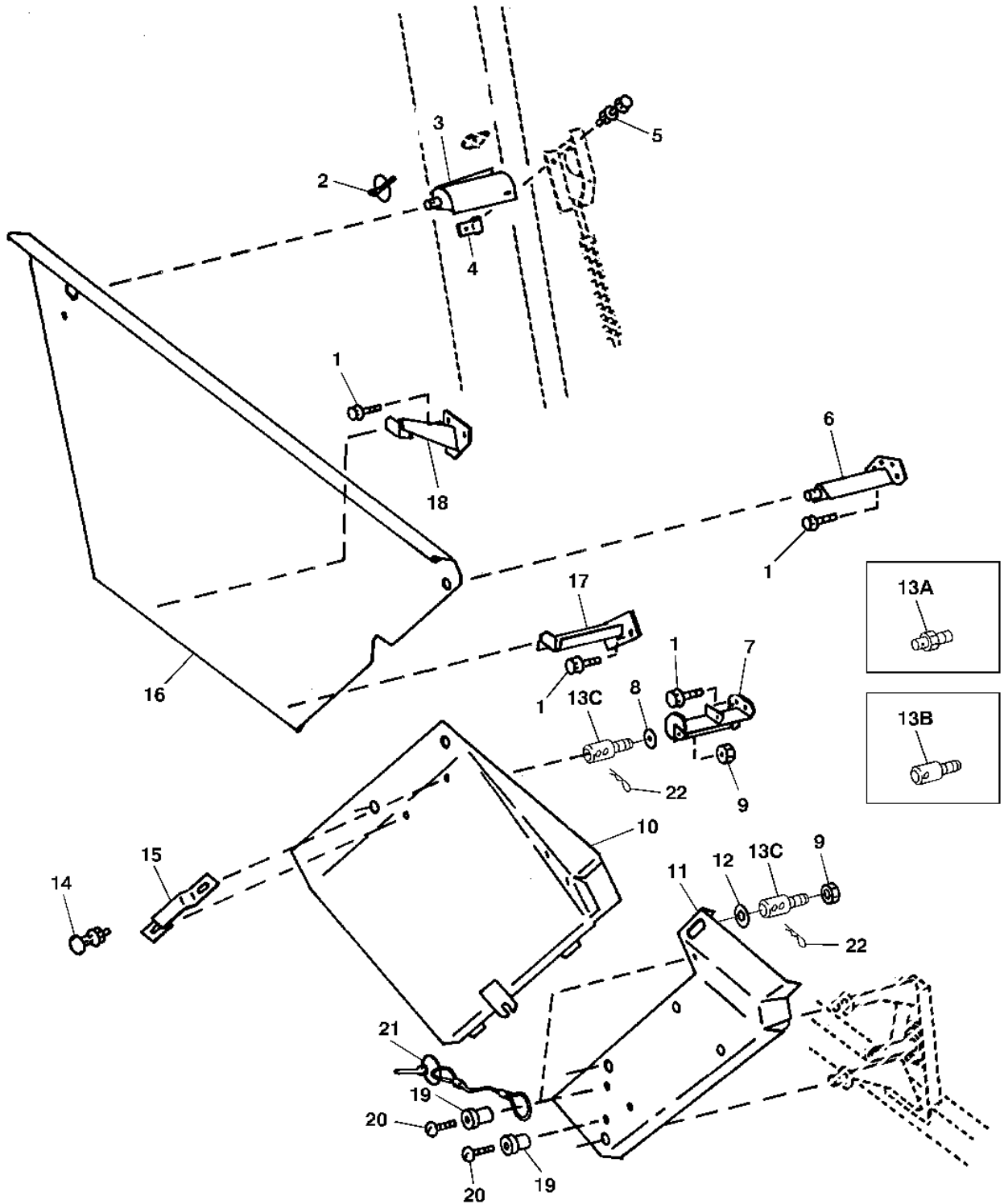
AUGER DRIVE SHIELDS (R.H. SIDE) - CONTINUED

KEY	PART NO.	PART NAME	QTY	SERIAL NO.	REMARKS
1A	H128884	SHIELD	1	-645200	
1B	H141772	SHIELD	1	645201-	
2	19M3131	CAP SCREW	2		M8 X 25
	14M7298	FLANGE NUT	2		M8
3	H135860	SHIELD	1	-640200	AUGER DRIVE IDLER
4	19M7865	SCREW	3	-640200	M8 X 16
5	19M7865	SCREW	4		M8 X 16
	14M7298	FLANGE NUT	4		M8
6A	AH135633	SHIELD	1	-665977	
6B	AH146783	SHIELD	1	-29SE97	
7	14M7299	FLANGE NUT	1		M12
8A	H134383	SHIELD	1	-640200	(SUB H141770) SHOE DRIVE
8B	H141770	SHIELD	1		
9	03M7184	BOLT	2	-635200	
	19M7866	SCREW	2	635201-	M8 X 20
	14M7298	FLANGE NUT	2		M8
10	H134414	STRAP	1	-640200	
	H143331	STRAP	1	640201-650200	(SUB H146756)
	H146756	STRAP	1		
11	03M7183	BOLT	2		M8 X 16
	14M7298	FLANGE NUT	2		M8
..	H141771	SUPPORT	1		

4G19

SEPARATOR SHELL

MUD AND FAN DRIVE SHIELDS (L.H. SIDE)
HP6527 -UN-23AUG96



HP6527

4G20

SEPARATOR SHELL

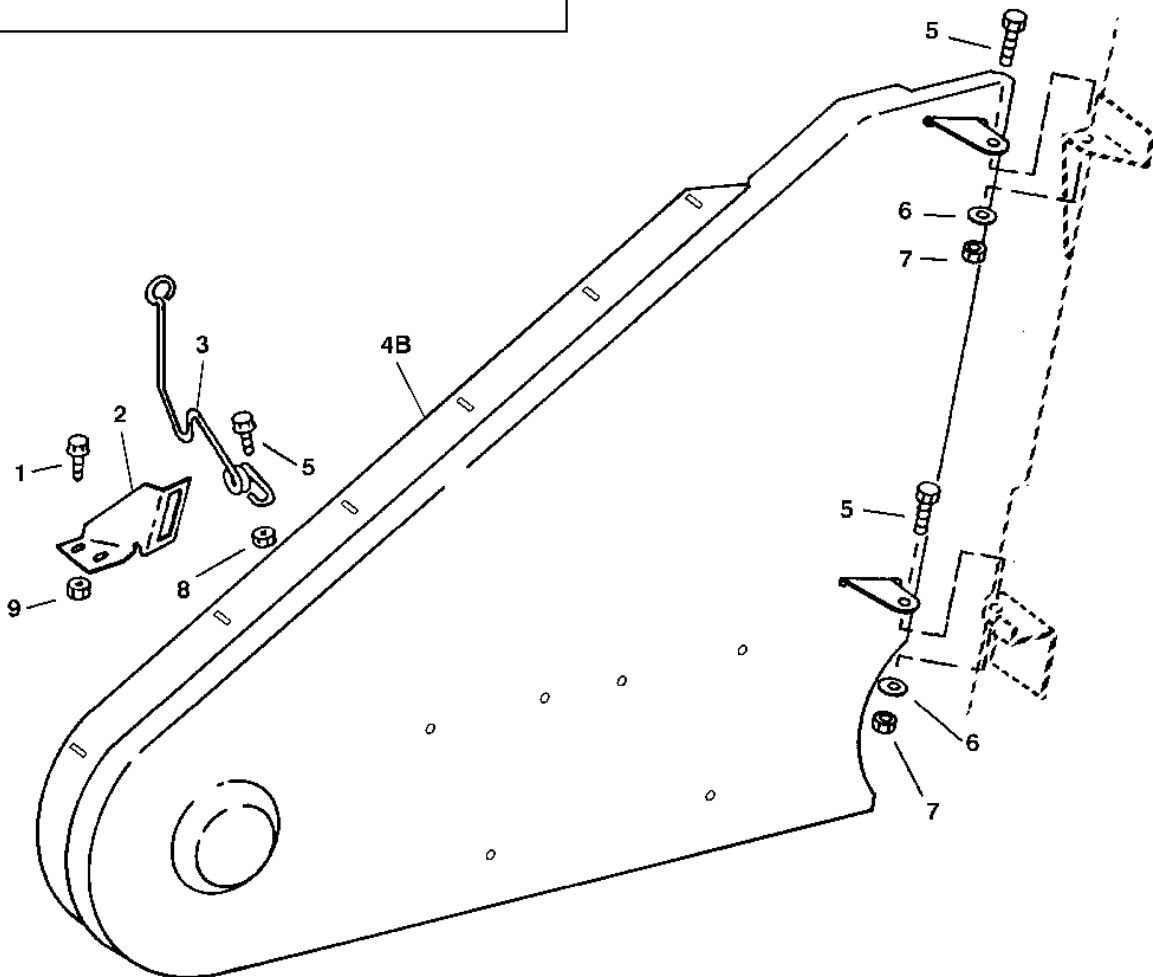
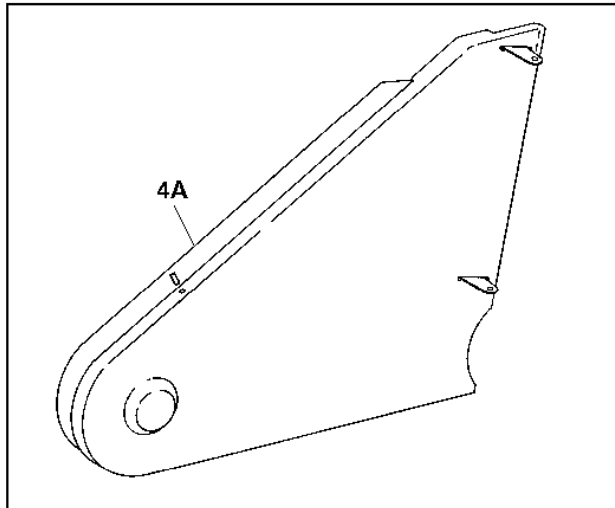
MUD AND FAN DRIVE SHIELDS (L.H. SIDE) - CONTINUED

KEY	PART NO.	PART NAME	QTY	SERIAL NO.	REMARKS
1	19M7865	SCREW	14		M8 X 16
2	M72598	QUICK LOCK PIN	6	-640100	
3	AH130941	BRACKET	1		
4	R46414	CLAMP	1		
5	19M7865	SCREW	2		M8 X 16
	14M7298	FLANGE NUT	2		M8
6	AH130945	BRACKET	1		
7	AH130944	BRACKET	1		
8	24M7178	WASHER	1		10.500 X 30 X 2.500 MM
9	14M7296	FLANGE NUT	2		M10
10	AH125820	SHIELD	1		CENTER
11	AH125821	SHIELD	1	-640100	(SUB AH137201) FAN DRIVE
	AH137201	SHIELD	1		
12	24H1314	WASHER	1		13/32" X 1-3/4" X 7/64"
13A	H130636	STUD	2	-640100	
13B	H141975	STUD	2	640101-665100	
13C	H154757	STUD	2	665101-	
14	03M7183	BOLT	2		M8 X 16
	14M7298	FLANGE NUT	2		M8
15	H85184	HANDLE	1		
16	H127465	SHIELD	1	-640100	FRONT
	H140300	SHIELD	1	640101-	
17	AH128914	BRACKET	1		
18	AH130197	BRACKET	1		
19	M93425	SPACER	2	640101-	
20	21M7125	SCREW	2	640101-	M8 X 25
21	AH135290	QUICK LOCK PIN	2	640101-	
22	A15147	SPRING LOCKING PIN	2	665183-	
..	BH80037	COMPLETE GOODS/SHIP. BUNDLE	1		MUD SHIELDS

4G21

SEPARATOR SHELL

DRIVE SHIELD (R.H. REAR)
HP6540 -UN-23AUG96



HP6540

4G22

SEPARATOR SHELL

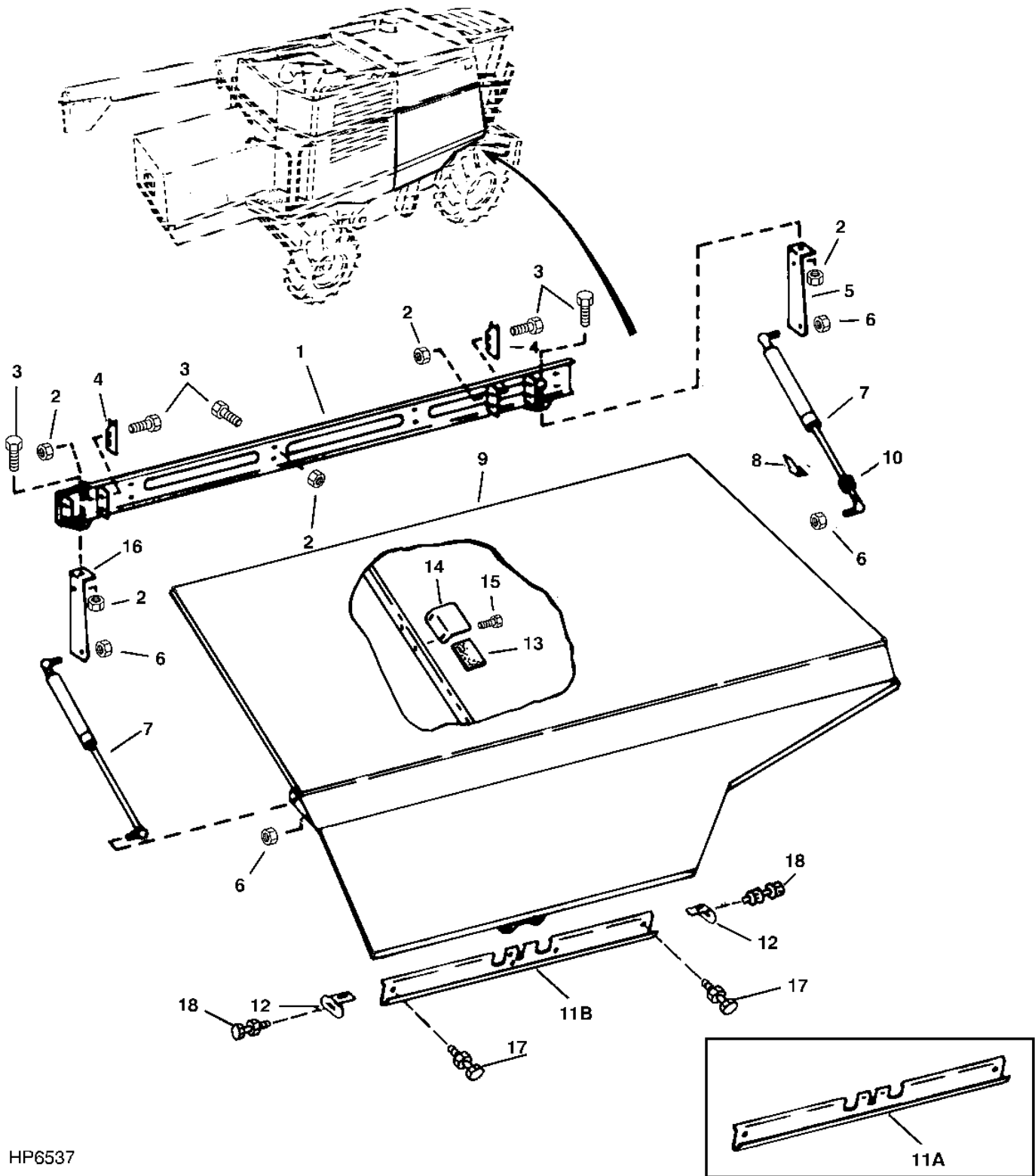
DRIVE SHIELD (R.H. REAR) - CONTINUED

KEY	PART NO.	PART NAME	QTY	SERIAL NO.	REMARKS
1	19M7866	SCREW	2		M8 X 20
2	H131470	BRACKET	1	-630100	
	H141813	BRACKET	1	630101-	
3	H130930	SPRING	1		
4A	AH123921	SHIELD	1		
4B	AH146361	SHIELD	1	665229-	
5	19M7785	SCREW	3		M10 X 25
6	24M7028	WASHER	2		10.500 X 20 X 2 MM
7	14M7400	LOCK NUT	1		M10
8	14M7296	FLANGE NUT	1		M10
9	19M7298	CAP SCREW	2		M8 X 35
..	H147137	SHIELD	1	650101-670174	RUBBER SHIELD (FOR USE IN CORN) ALSO REQUIRES (7) 19M7775, (7) 24M7207 AND (7) 14M7303
..	H160249	SHIELD	1	670175-	RUBBER SHIELD (FOR USE IN CORN) ALSO REQUIRES (7) 19M7775, (7) 24M7207 AND (7) 14M7303

4G23

SEPARATOR SHELL

R.H. SERVICE ACCESS SHIELD
HP6537 -UN-23AUG96



HP6537

4G24

SEPARATOR SHELL

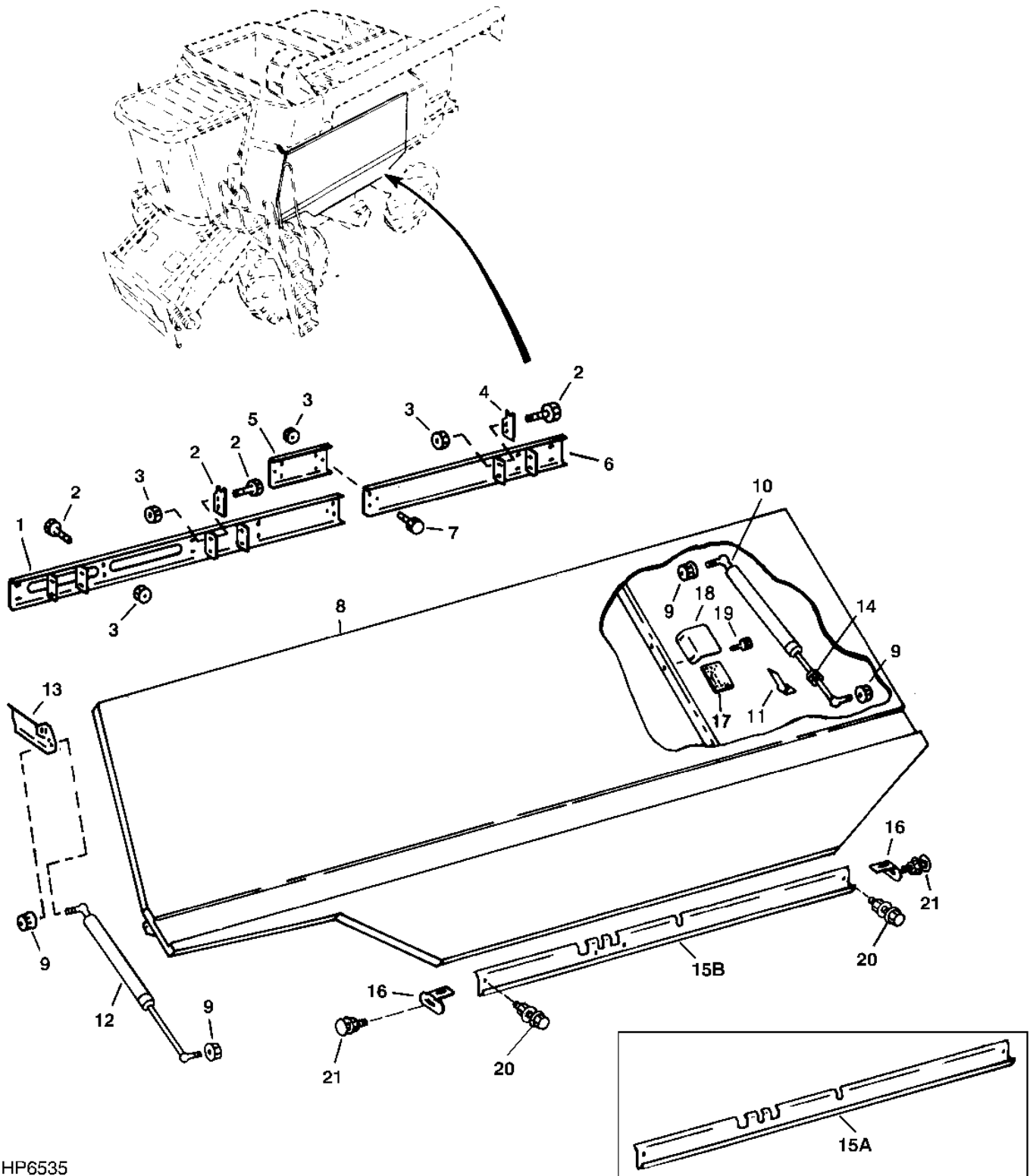
R.H. SERVICE ACCESS SHIELD- CONTINUED

KEY	PART NO.	PART NAME	QTY	SERIAL NO.	REMARKS
1	AH166713	CHANNEL	1		(SUB FOR AH125306)
2	14M7296	FLANGE NUT	10		M10
3	19M7784	SCREW	10		M10 X 20
4	H125537	PLATE	2		
5	H139056	BRACKET	1		
6	14M7298	FLANGE NUT	4		M8
7	AH128596	GAS OPERATED CYLINDER	2	-660100	
	AH143219	SPRING	2	660101-660313	(SUB AH128596)
	AH128596	GAS OPERATED CYLINDER	2		
8	H135965	STOP	1		
9	AH127716	DOOR	1		
10	M68701	GROMMET	1		
11A	H130039	DEFLECTOR	1		
11B	H152048	DEFLECTOR	1	665229-	
12	H132822	ANGLE	2		
13	H129406	FOAM PAD	2	-635797	
	H143453	FOAM PAD	2	635798-	
14	H129843	BRACKET	2	-635797	
	H143454	BRACKET	2	635798-	
15	37M7083	SCREW	4		M8 X 12
16	H129833	BRACKET	1		
17	19M7865	SCREW	2		M8 X 16
	14M7298	FLANGE NUT	2		M8
18	03M7183	BOLT	2		M8 X 16
	14M7298	FLANGE NUT	2		M8

4H1

SEPARATOR SHELL

L.H. SERVICE ACCESS SHIELD
HP6535 -UN-23AUG96



HP6535

4H2

SEPARATOR SHELL

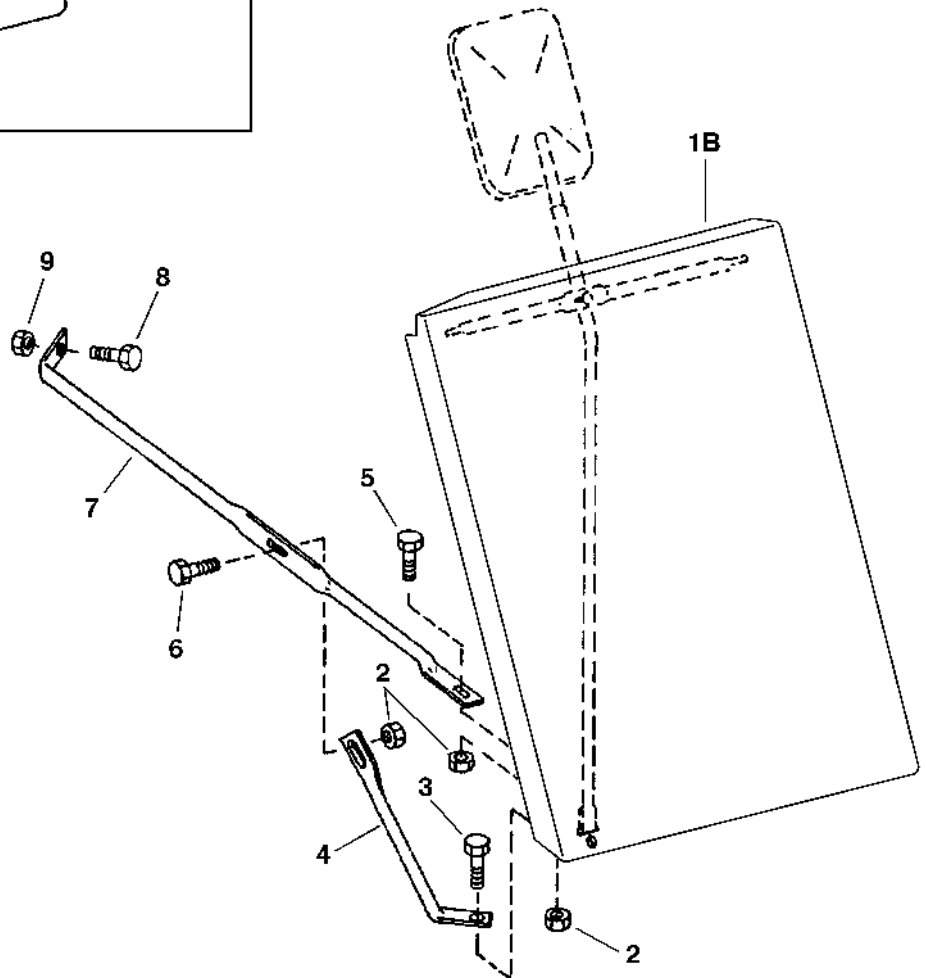
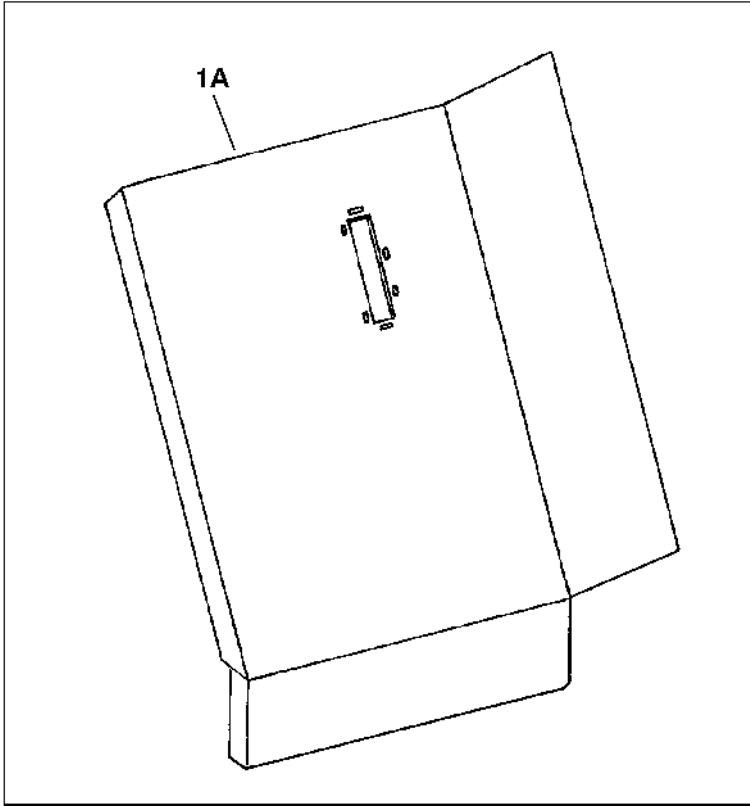
L.H. SERVICE ACCESS SHIELD- CONTINUED

KEY	PART NO.	PART NAME	QTY	SERIAL NO.	REMARKS
1	AH166714	CHANNEL	1		(SUB FOR AH125478)
2	19M7785	SCREW	12		M10 X 25
3	14M7296	FLANGE NUT	18		M10
4	H125537	PLATE	2		
5	H132008	CHANNEL	1		
6	AH127275	CHANNEL	1		
7	19M7784	SCREW	6		M10 X 20
8	AH127704	DOOR	1		
9	14M7298	FLANGE NUT	4		M8
10	AH128598	GAS OPERATED CYLINDER	1	-660100	REAR
	AH143218	SPRING	1	660101-660348	(SUB AH128598) REAR
	AH128598	GAS OPERATED CYLINDER	1		
11	H135965	STOP	1		
12	AH128597	GAS OPERATED CYLINDER	1	-660100	FRONT
	AH143033	SPRING	1	660101-660326	(SUB AH128597) FRONT
	AH128597	GAS OPERATED CYLINDER	1		
13	H127677	BRACKET	1		
14	M68701	GROMMET	1		
15A	H130521	DEFLECTOR	1		
15B	H152047	DEFLECTOR	1	665229-	
16	H132822	ANGLE	2		
17	H129406	FOAM PAD	3	-635797	(SUB H143453)
	H143453	FOAM PAD	3		
18	H129843	BRACKET	3	-635797	(SUB H143454)
	H143454	BRACKET	3		
19	37M7083	SCREW	6		M8 X 12
20	19M7865	SCREW	2		M8 X 16
	14M7298	FLANGE NUT	2		M8
21	03M7183	BOLT	2		M8 X 16
	14M7298	FLANGE NUT	2		M8

4H3

SEPARATOR SHELL

FRONT CORNER SHEET, RIGHT HAND
HP6743 -UN-23JUN97



HP6743

4H4

SEPARATOR SHELL

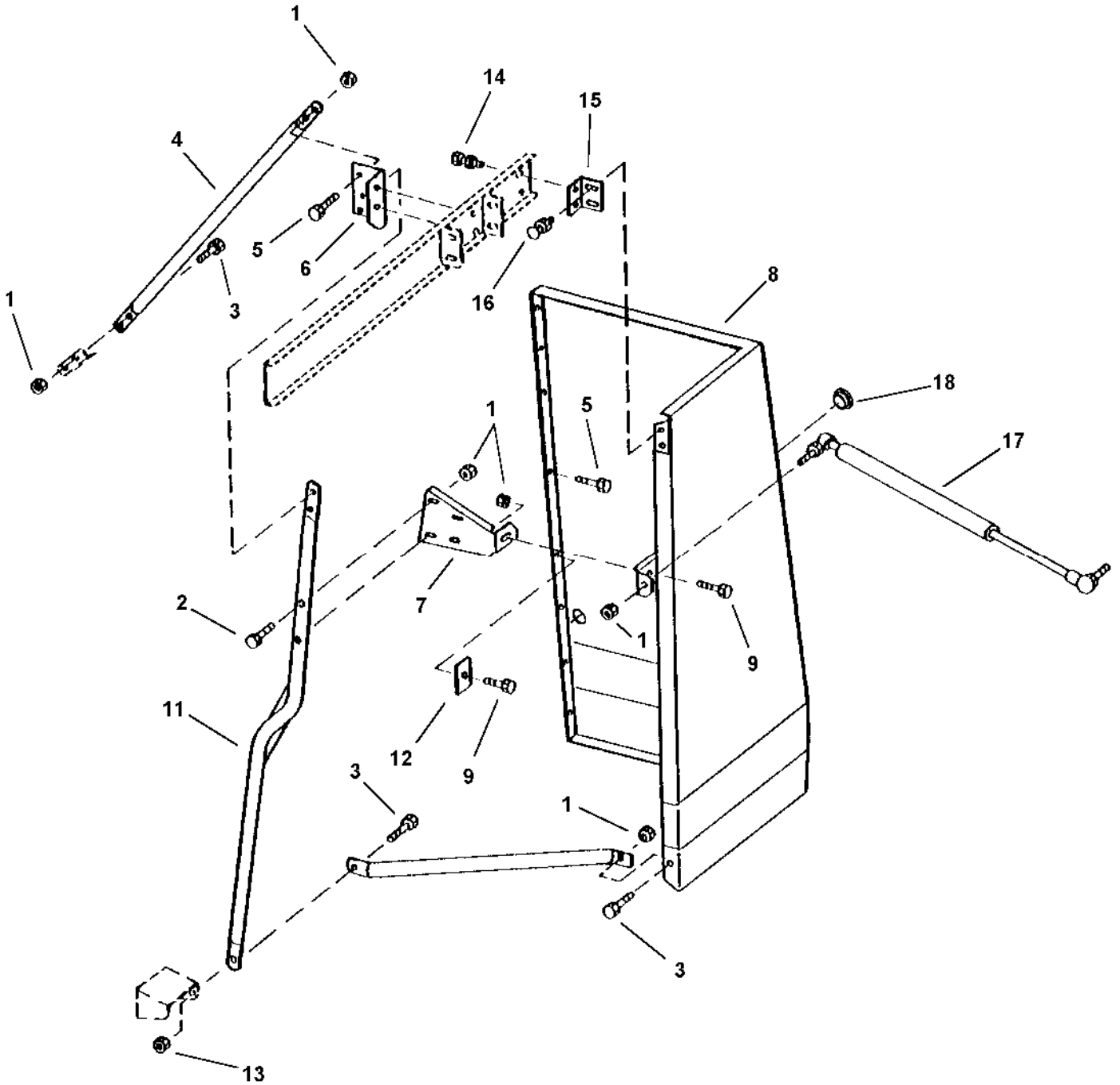
FRONT CORNER SHEET, RIGHT HAND - CONTINUED

KEY	PART NO.	PART NAME	QTY	SERIAL NO.	REMARKS
1A	AH126181	PANEL	1	-641499	(SUB AH141178)
	AH141178	PANEL	1	-29SE97	
1B	AH147092	PANEL	1	29SE97-	
2	14M7298	FLANGE NUT	3		M8
3	19M7866	SCREW	1		M8 X 20
4	H127410	BRACE	1		
5	19M7865	SCREW	1		M8 X 16
6	19M7867	SCREW	1	-640100	M8 X 25
	03M7185	BOLT	1	640101-	M8 X 25
7	H127408	BRACE	1		
8	19M7785	SCREW	1		M10 X 25
9	14M7296	FLANGE NUT	1		M10

4H5

SEPARATOR SHELL

REAR CORNER SHEET, LEFT HAND
HP7250 -UN-06NOV97



HP7250

4H6

SEPARATOR SHELL

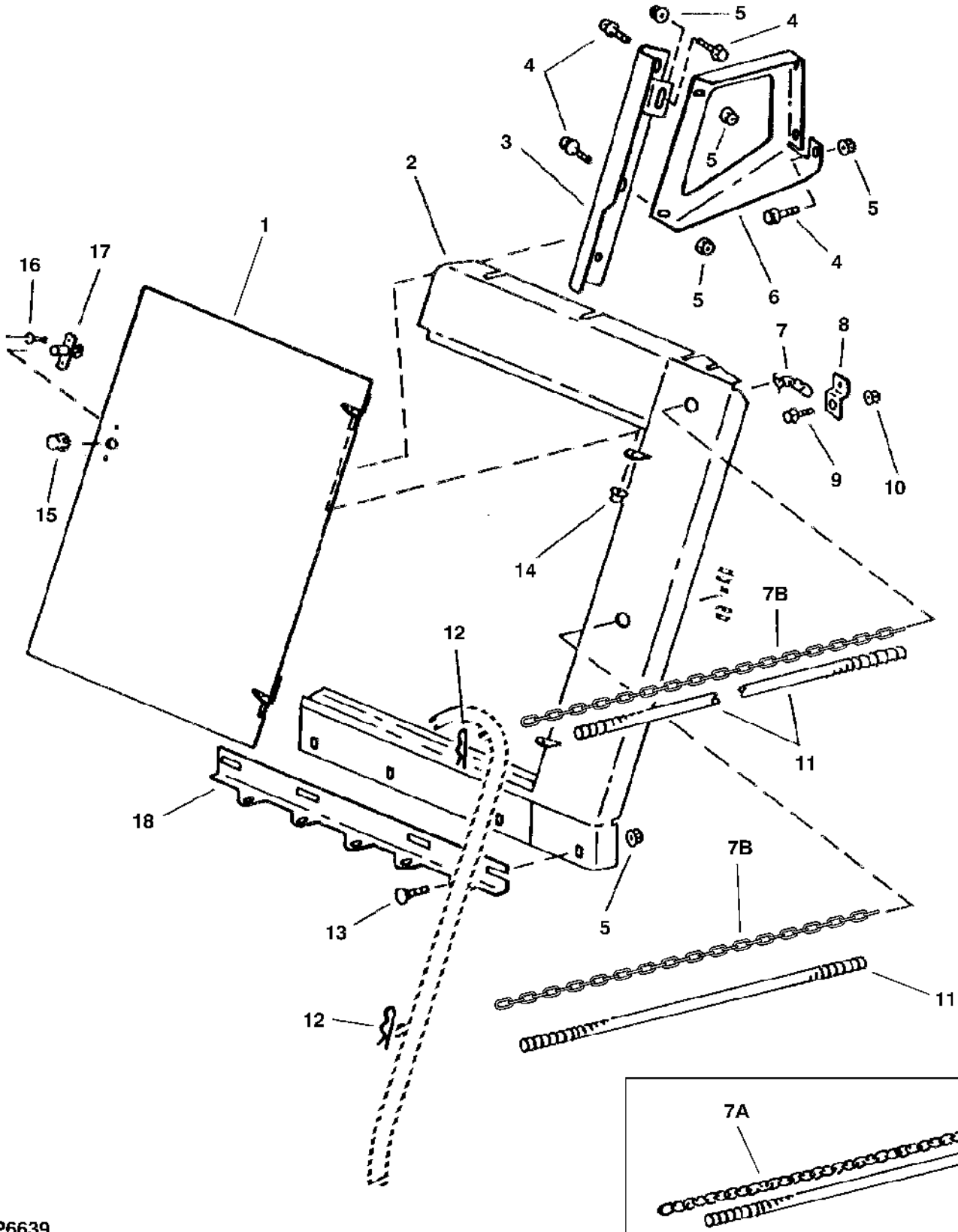
REAR CORNER SHEET, LEFT HAND - CONTINUED

KEY	PART NO.	PART NAME	QTY	SERIAL NO.	REMARKS
1	14M7298	FLANGE NUT	6	-650259	M8
	14M7298	FLANGE NUT	5	650260-	M8
2	19M8317	SCREW	2	-650433	M8 X 40
	19M8318	SCREW	2	650434-	M8 X 45
3	19M7868	SCREW	3		M8 X 30
4	H132948	BRACE	1		
5	19M7866	SCREW	6		M8 X 20
6	H131543	BRACKET	1		
7	H132857	BRACKET	1		
	H144029	BRACKET	1	645100-	
	AH128014	PANEL	1	-640100	(SUB AH136162)
	AH136162	PANEL	1	-8JUL97	
8	AH156190	PANEL	1	8JUL97-29SE97	
	AH158487	PANEL	1	29SE97-	
	19M7867	SCREW	6		M8 X 25
9	H132949	BRACE	1		
10	AH126564	BRACE	1		
11	H137534	STRAP	5		
12	14M7396	LOCK NUT	1	650260-	M8
13	19M7785	SCREW	2		M10 X 25
	14M7296	FLANGE NUT	2		M10
14	H126672	BRACKET	1		
15	19M7785	SCREW	2		
	14M7296	FLANGE NUT	2		
16	AH128598	GAS OPERATED CYLINDER	1		REAR
17	R67363	PLUG	1	8JUL97-	

4H7

SEPARATOR SHELL

LEFT - HAND FRONT CORNER SHEET AND DOOR
HP6639 -UN-10FEB97



HP6639

4H8

SEPARATOR SHELL

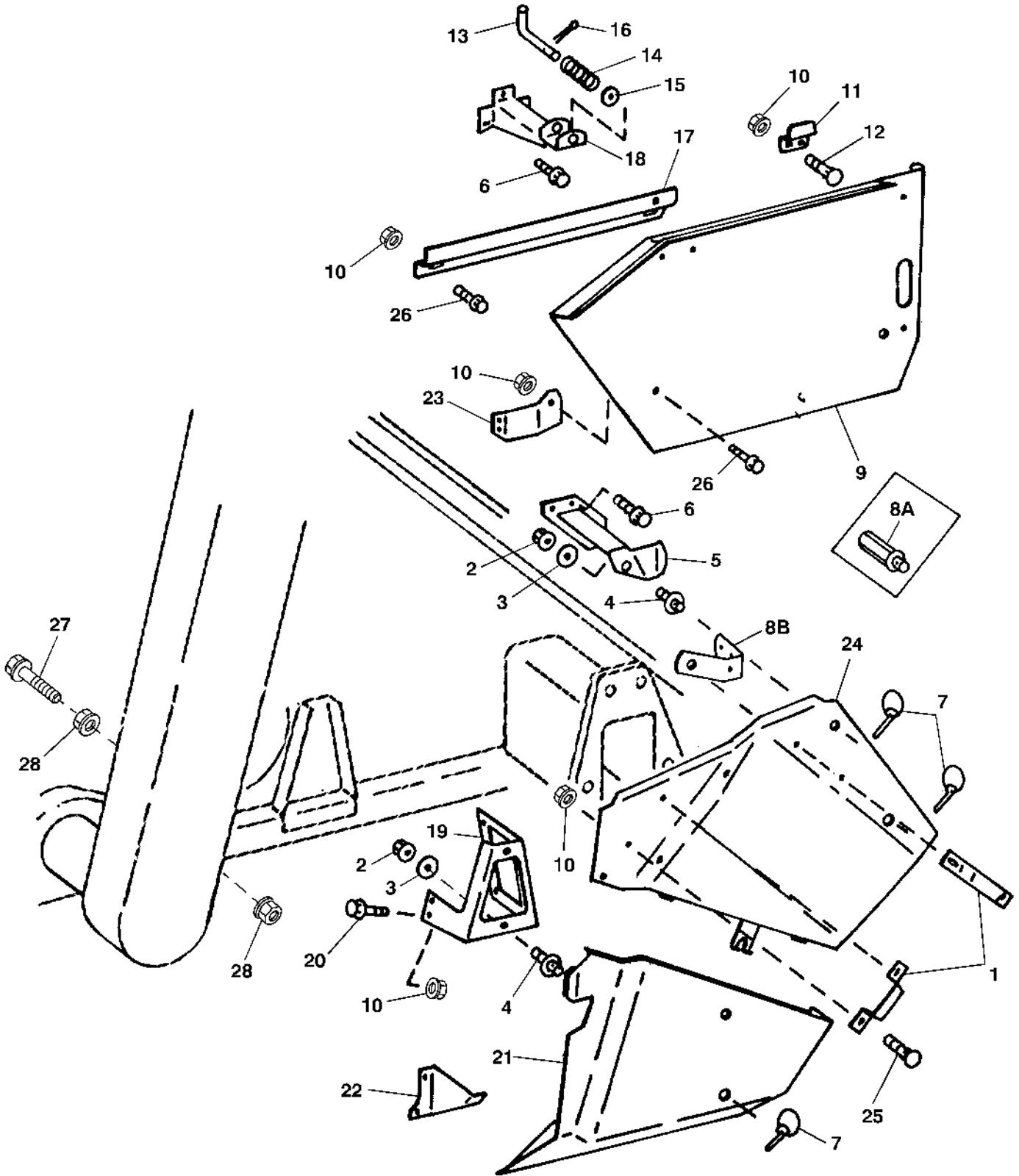
LEFT - HAND FRONT CORNER SHEET AND DOOR - CONTINUED

KEY	PART NO.	PART NAME	QTY	SERIAL NO.	REMARKS
1	AH125641	DOOR	1		
2	AH125640	PANEL	1	-650100	
	AH141743	PANEL	1	650101-	
3	AH125642	ANGLE	1	-665293	
	H130364	ANGLE	1	665294-	
4	19M7865	SCREW	9		M8 X 16
5	14M7298	FLANGE NUT	10		M8
6	H130363	BRACKET	1		
7	AH130393	SWAY CHAIN	2	-655159	(SUB AN152995)
	AN152995	LINK CHAIN	2	-660278	75 LINKS
	AH146041	SAFETY CHAIN	2	660279-	34 LINKS
8	H131628	BRACKET	1		
9	19M7775	SCREW	1		M6 X 16
10	14M7303	FLANGE NUT	1		M6
11	H134306	TUBE	2	-655437	(SUB AH145703)
	AH145703	SAFETY CHAIN	2	-660100	(SUB AH146041)
	AH146041	SAFETY CHAIN	2		
12	B32630	SPRING LOCKING PIN	2		
13	03M7183	BOLT	4		M8 X 16
14	H120499	NUT	2		
15	H121391	KNOB	1		
16	H64584	RIVET	1		
17	AH125644	LATCH	1		
18	H130362	ANGLE	1		

4H9

SEPARATOR SHELL

MUD SHIELDS (R.H. SIDE)
HP6721 -UN-14MAY97



HP6721

4H10

SEPARATOR SHELL

MUD SHIELDS (R.H. SIDE) - CONTINUED

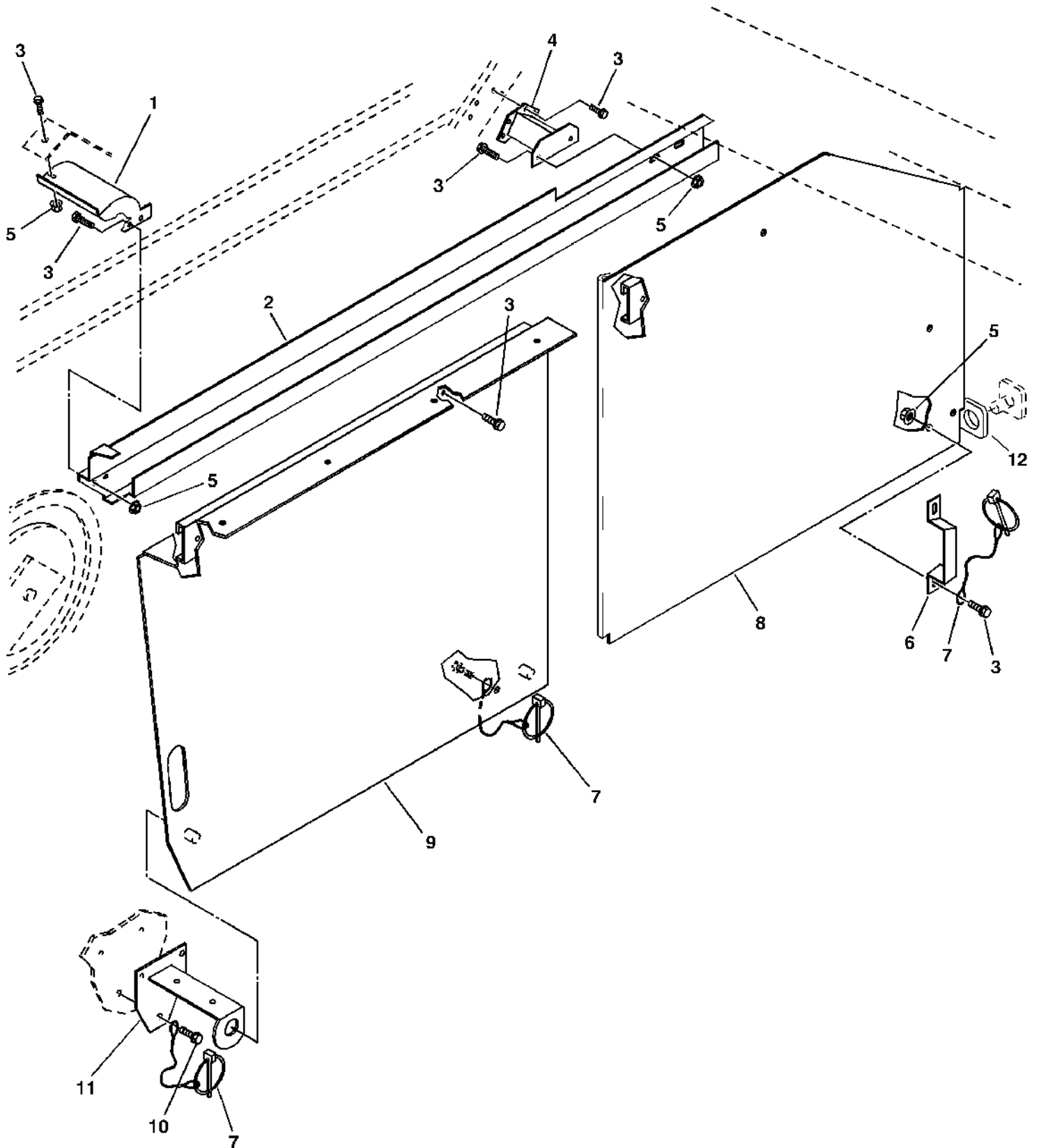
KEY	PART NO.	PART NAME	QTY	SERIAL NO.	REMARKS
1	H85184	HANDLE	2		
2	14M7296	FLANGE NUT	3		M10
3	24M7178	WASHER	3		10.500 X 30 X 2.500 MM
4	H130636	STUD	3		
5	AH130946	BRACKET	1	-640100	(SUB AH136355)
	AH136355	BRACKET	1		
6	19M7865	SCREW	2	-650499	M8 X 16
	37M7058	SCREW	2	650500-	M8 X 20
7	M72598	QUICK LOCK PIN	1		
8A	AH130481	STUD	1	-640100	
8B	H141979	BRACKET	1	640101-	
9	AH122616	SHIELD	1		
10	14M7298	FLANGE NUT	11		M8, CENTER
11	H127732	GUIDE	1		FAN DRIVE
12	03M7184	BOLT	2		M8 X 20
13	H78557	PIN	1	-660142	(SUB H150746)
	H150746	PIN	1		
14	HZ5621H	SPRING	1		
15	24H1305	WASHER	1		13/32" X 13/16" X 0.065"
16	11M1383	COTTER PIN	1		(SUB FOR 11H211) FRONT
17	H127731	GUIDE	1		
	H152135	GUIDE	1	3JAN96-	
18	AH122619	BRACKET	1	-640100	
	AH136285	BRACKET	1	640101-	
19	H131362	BRACKET	1	-640100	
	H146757	BRACKET	1		(SUB FOR H141978)
20	19M7866	SCREW	2		M8 X 20
21	AH126352	SHIELD	1		
22	H131876	BRACKET	1		
23	AH130132	BRACKET	1	-640100	(SUB AH135375)
	AH155669	BRACKET	1		
24	AH126620	SHIELD	1		
25	03M7183	BOLT	4		M8 X 16
26	19M7865	SCREW	2		M8 X 16
27	19M8413	CAP SCREW	1	670910-671855	M12 X 150
	19M8037	CAP SCREW	1	671856-	M12 X 180
28	14M7299	FLANGE NUT	2	670910-	M12
..	BH80037	COMPLETE GOODS/SHIP. BUNDLE	1		MUD SHIELDS

4H11

SEPARATOR SHELL

LEFT SIDE FRONT SHIELD ASSEMBLY

HP7403 -UN-11FEB98



HP7403

4H12

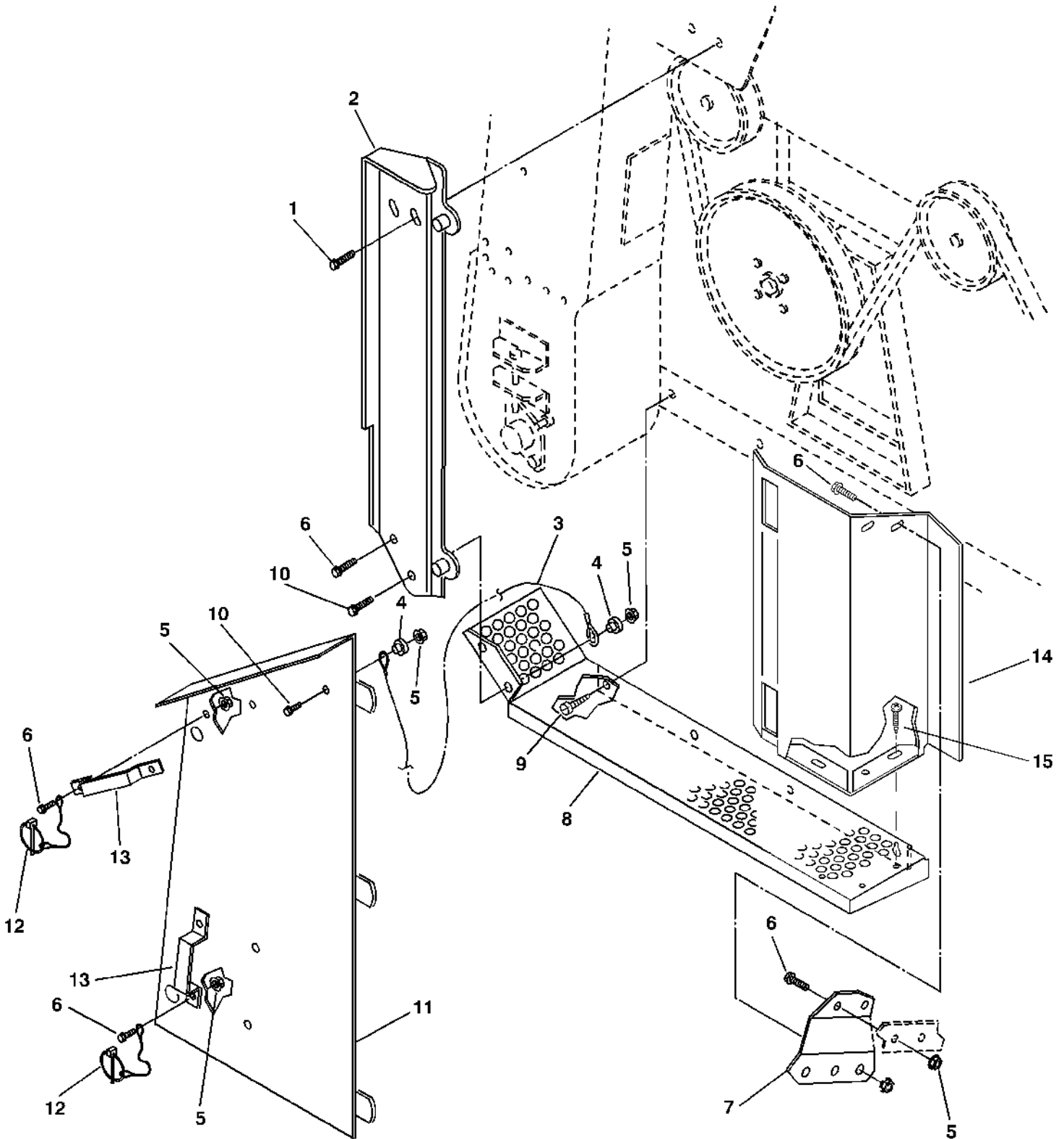
SEPARATOR SHELL

KEY	PART NO.	PART NAME	QTY	SERIAL NO.	REMARKS
1	AH151344	BRACKET	1	29SEP7-	
2	AH151346	CHANNEL	1	29SEP7-	
3	19M7865	SCREW	10	29SEP7-	M8 X 16
4	AH151339	BRACKET	1	29SEP7-	
5	14M7298	FLANGE NUT	8	29SEP7-	M8
6	H85184	HANDLE	1	29SEP7-	
7	AH135290	QUICK LOCK PIN	3	29SEP7-	
8	AH151341	SHIELD	1	-29SEP7	L.H. REAR UPPER
	AH158151	SHIELD	1	29SEP7-	
9	AH151340	SHIELD	1	29SEP7-	
10	37M7058	SCREW	3	29SEP7-	M8 X 20
11	AH151338	BRACKET	1	29SEP7-	
12	H164508	ANGLE	1	29SEP7-	SHIELD CLOSURE
..	BH80538	COMPLETE GOODS/SHIP. BUNDLE	1		CLEANING FAN SHIELD

4H13

SEPARATOR SHELL

RIGHT SIDE SHIELD ASSEMBLY (29SEP97-)
HP7407 -UN-04FEB98



HP7407

4H14

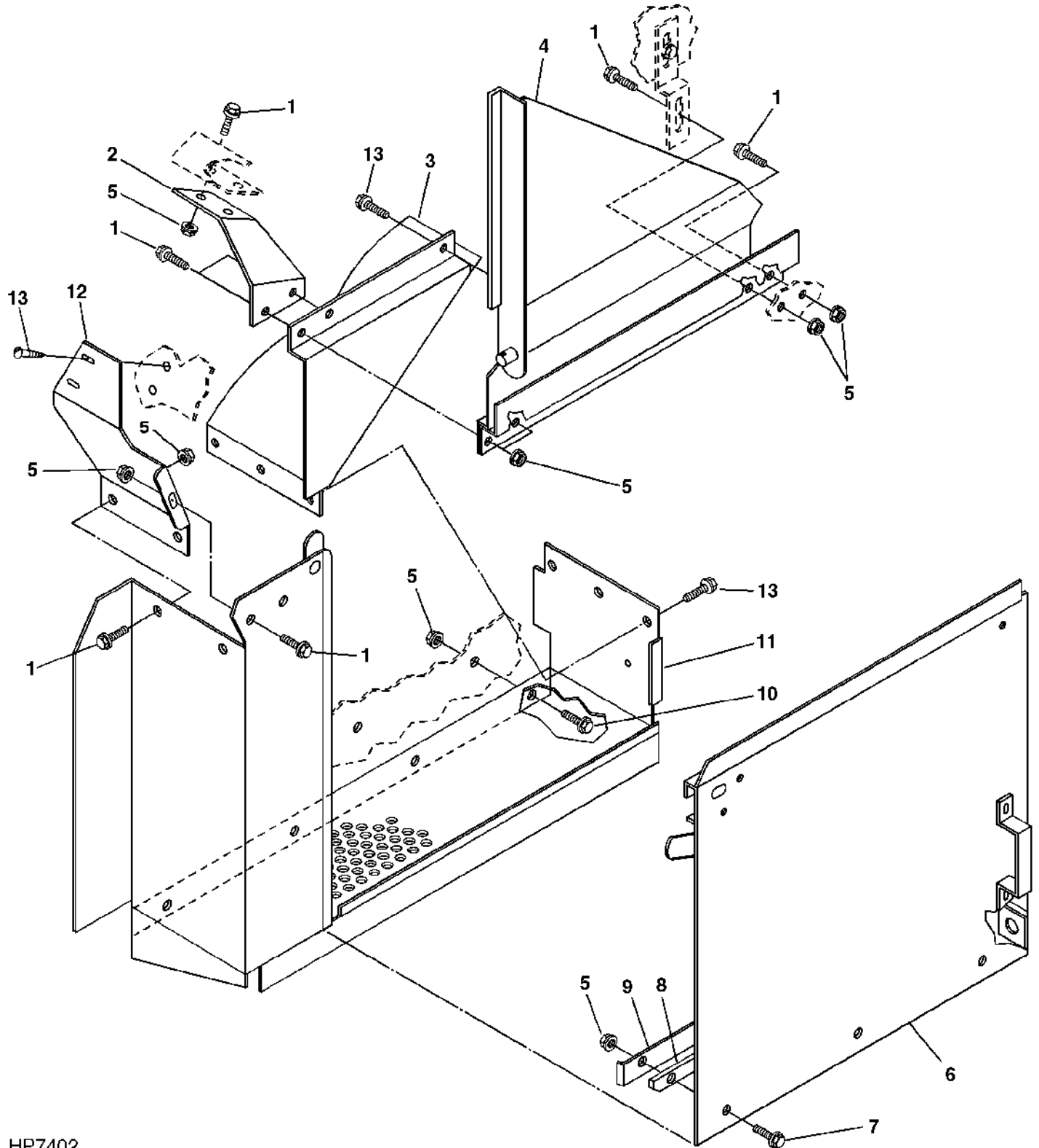
SEPARATOR SHELL

KEY	PART NO.	PART NAME	QTY	SERIAL NO.	REMARKS
1	19M7866	SCREW	2		M8 X 20
2	AH151351	SHIELD	1		
3	AH151353	CABLE	1		
4	M93425	SPACER	2		
5	14M7298	FLANGE NUT	9		M8
6	19M7865	SCREW	7		M8 X 16
7	H158646	SHIELD	1		
8	AH151350	SHIELD	1		R.H. LOWER
	AH159061	SHIELD	1		
9	19M7803	SCREW	4		M8 X 70
10	19M7868	SCREW	1		M8 X 30
11	AH154401	SHIELD	1		
12	AH135290	QUICK LOCK PIN	2		
13	H85184	HANDLE	2		
14	H158642	SHIELD	1	-29SEP7	R.H.
	H165320	SHIELD	1	29SEP7-	
15	37M7058	SCREW	3	29SEP7-	M8 X 20
..	BH80538	COMPLETE GOODS/SHIP. BUNDLE	1		CLEANING FAN SHIELDS

4H15

SEPARATOR SHELL

LEFT SIDE SHIELD ASSEMBLY
HP7402 -UN-04FEB98



HP7402

4H16

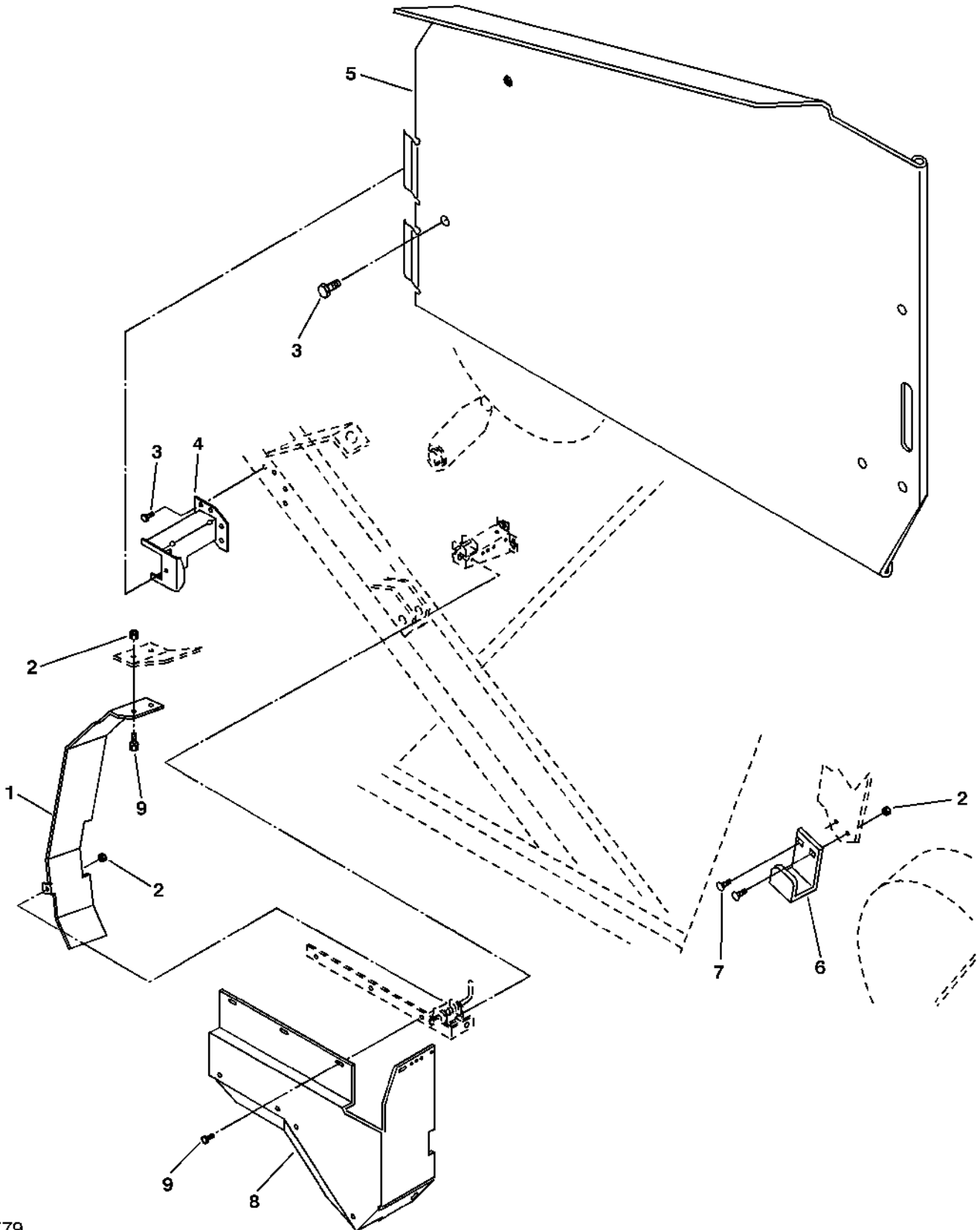
SEPARATOR SHELL

KEY	PART NO.	PART NAME	QTY	SERIAL NO.	REMARKS
1	19M7865	SCREW	9	29SEP7-	M8 X 16
2	H158614	BRACKET	1	29SEP7-	
3	H158633	SHIELD	1	29SEP7-	
4	AH151347	SUPPORT	1	29SEP7-	
5	14M7298	FLANGE NUT	17	29SEP7-	M8
6	AH151342	SHIELD	1	29SEP7-	
7	19M7866	SCREW	3	29SEP7-	M8 X 20
8	H160733	STRIP	1	29SEP7-	
9	H158627	CHANNEL	1	29SEP7-	
10	37M7086	SCREW	4	29SEP7-	M10 X 20
11	AH151343	SHIELD	1	29SEP7-	
12	H158616	SHIELD	1	29SEP7-	
13	37M7058	SCREW	6	29SEP7-	M8 X 20
..	BH81430	COMPLETE GOODS/SHIP. BUNDLE	1		CLEANING FAN SHIELDS
..	BH80538	COMPLETE GOODS/SHIP. BUNDLE	1		CLEANING FAN SHIELD, NARROW

4H17

SEPARATOR SHELL

RIGHT SIDE FRONT SHIELD ASSEMBLY
HP6779 -UN-18AUG97



HP6779

4H18

SEPARATOR SHELL

KEY	PART NO.	PART NAME	QTY	SERIAL NO.	REMARKS
1	H160978	SHIELD	1	29SEP7-	
2	14M7298	FLANGE NUT	5	29SEP7-	M8
3	19M7865	SCREW	6	29SEP7-	M8 X 16
4	AH151352	BRACKET	1	29SEP7-	
5	AH151349	SHIELD	1	29SEP7-	
6	H160187	GUIDE	1	29SEP7-	
7	03M7184	BOLT	2	29SEP7-	M8 X 20
8	AH154567	SHIELD	1	29SEP7-	
9	19M7866	SCREW	3	29SEP7-	M8 X 20
..	BH80538	COMPLETE GOODS/SHIP. BUNDLE	1		CLEANING FAN SHIELD, NARROW

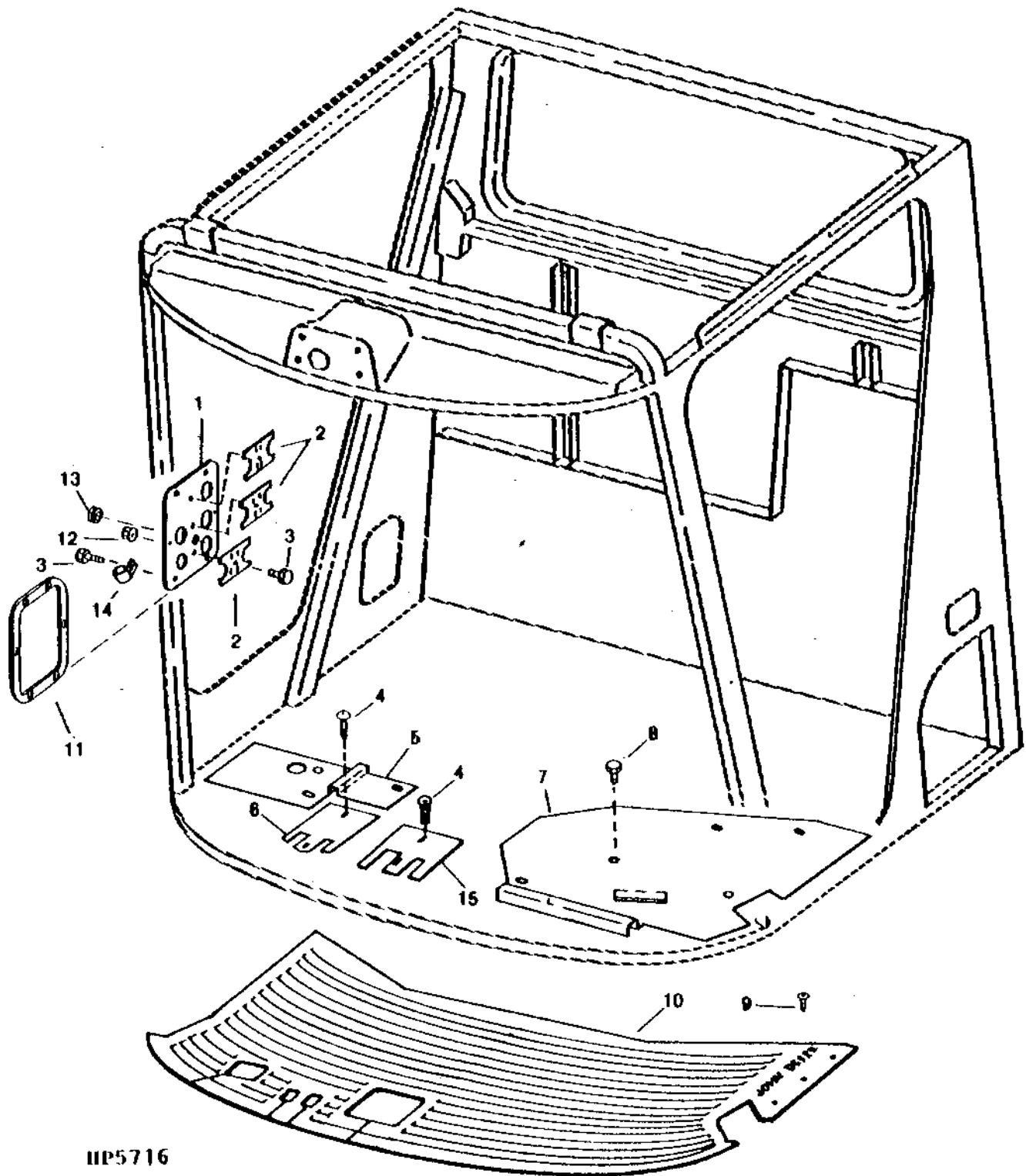
MEMORANDA

MEMORANDA

5B15

OPERATOR'S STATION

CAB PANELS AND FLOOR MAT
HP5716 -UN-01JAN94



HP5716

5B16

OPERATOR'S STATION

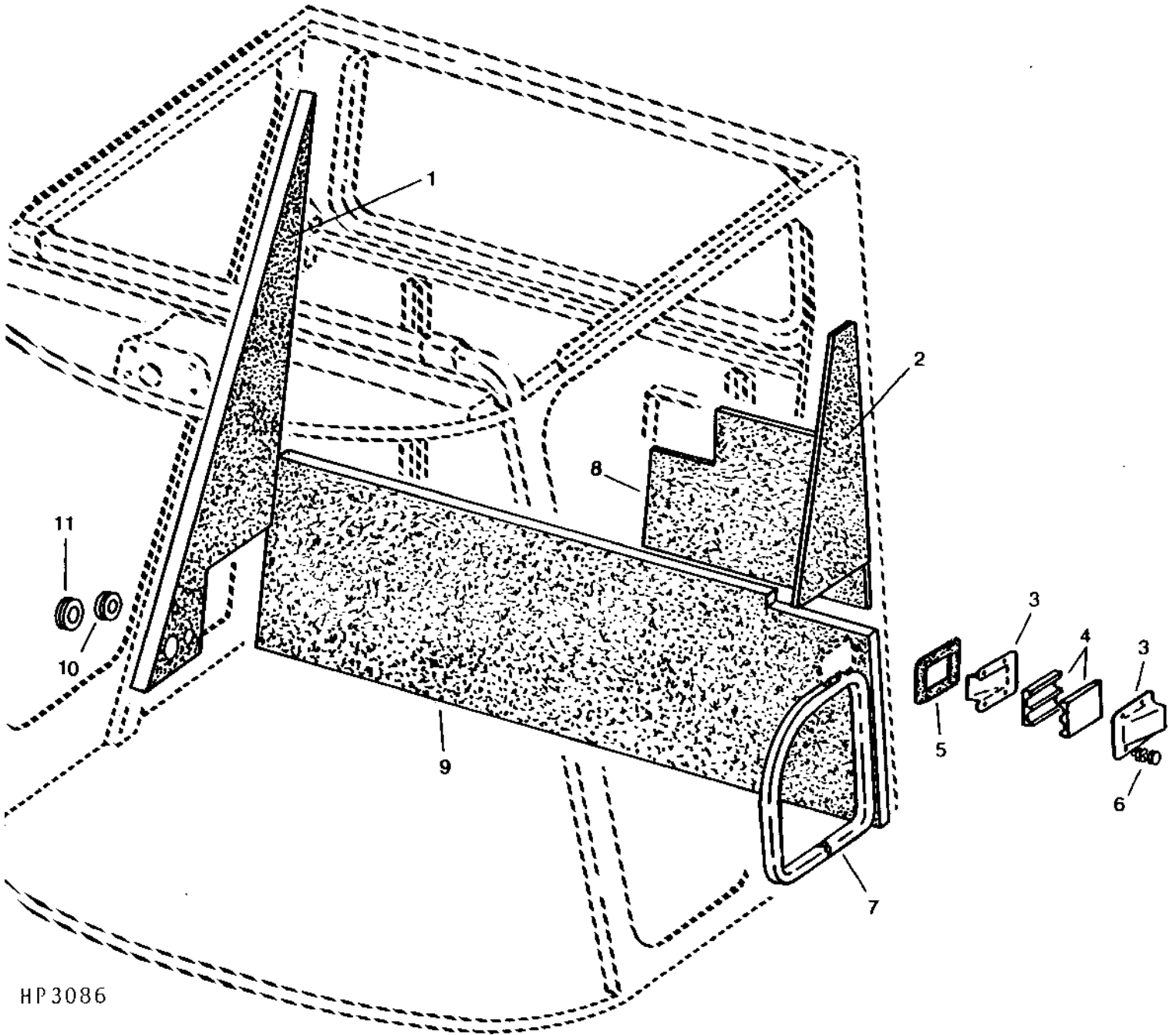
CAB PANELS AND FLOOR MAT - CONTINUED

KEY	PART NO.	PART NAME	QTY	SERIAL NO.	REMARKS
1	H131298	PLATE	1		
2	H131299	PLATE	3		
3	19M7775	SCREW	9	M6 X 16	
4	37M7071	SCREW	4	R.H.	
5	H133665	SHEET	1		
6	H124260	PLATE	1	L.H.	
7	H133666	SHEET	1		
8	37M7089	SCREW	7	M6 X 12	
9	37M7074	SCREW	3		
10	AH159079	MAT	1	(SUB FOR AH128349)	
11	H131301	SEAL	1		
12	14M7303	FLANGE NUT	3	M6	
13	H131300	GROMMET	1		
14	AH89557	CLIP	1		
15	H141292	PLATE	1		

5B17

OPERATOR'S STATION

CAB SOUND DEADENING, FOAM AND SEALS
HP3086 -UN-01JAN94



HP 3086

5B18

OPERATOR'S STATION

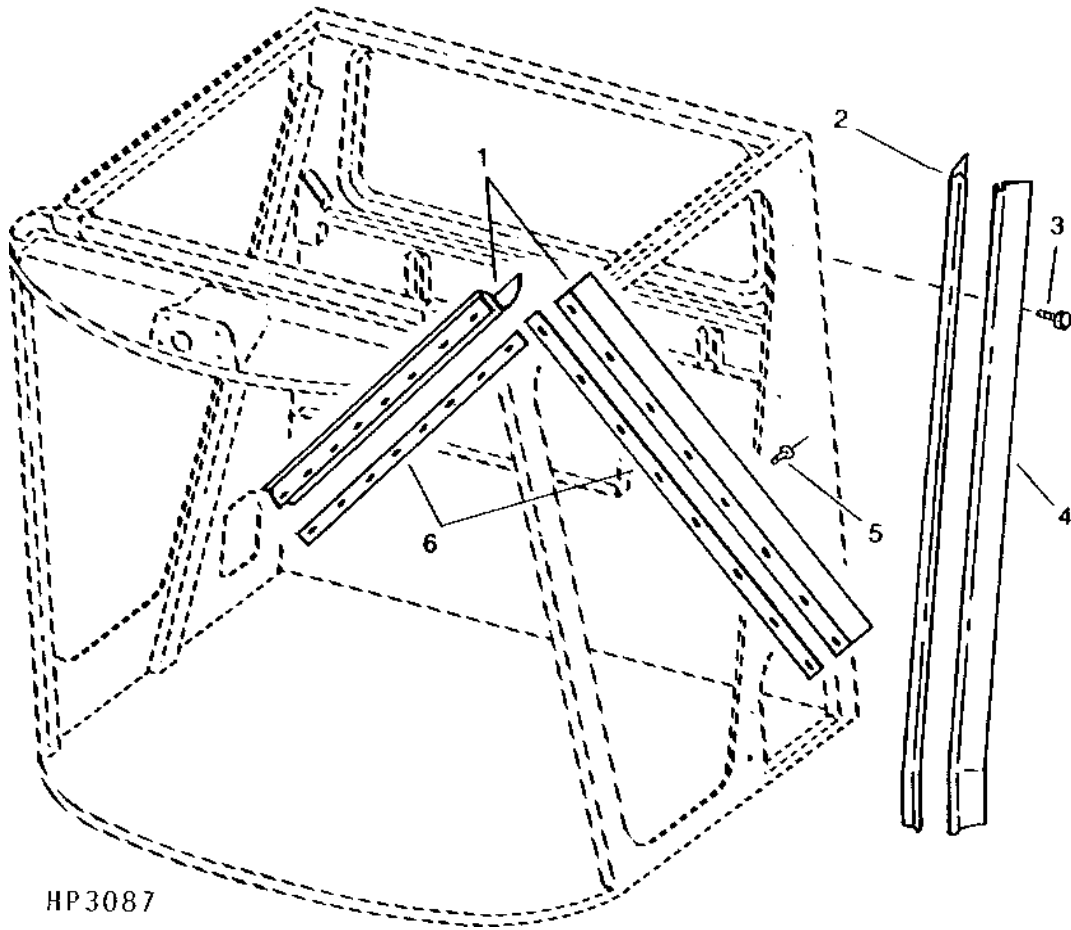
CAB SOUND DEADENING, FOAM AND SEALS - CONTINUED

KEY	PART NO.	PART NAME	QTY	SERIAL NO.	REMARKS
1	H125511	FOAM PAD	1		
2	AH127674	BARRIER	1		L.H.
3	H129606	RETAINER	2		
4	H114523	SEAL	2		
5	H114525	GASKET	1		
6	37M7090	SCREW	4		M6 X 16
7	AH80335	WEATHERSTRIP	1		
8	AH126834	BARRIER	1		
9	AH120892	BARRIER	1	-665100	REAR
	AH146747	BARRIER	1	665101-	L.H.
	AH146748	BARRIER	1	665101-	R.H.
10	R50456	GROMMET	1		
11	H36221	GROMMET	1		

5B19

OPERATOR'S STATION

CAB REAR AND SIDE SEALS
HP3087 -UN-01JAN94



HP3087

5B20

OPERATOR'S STATION

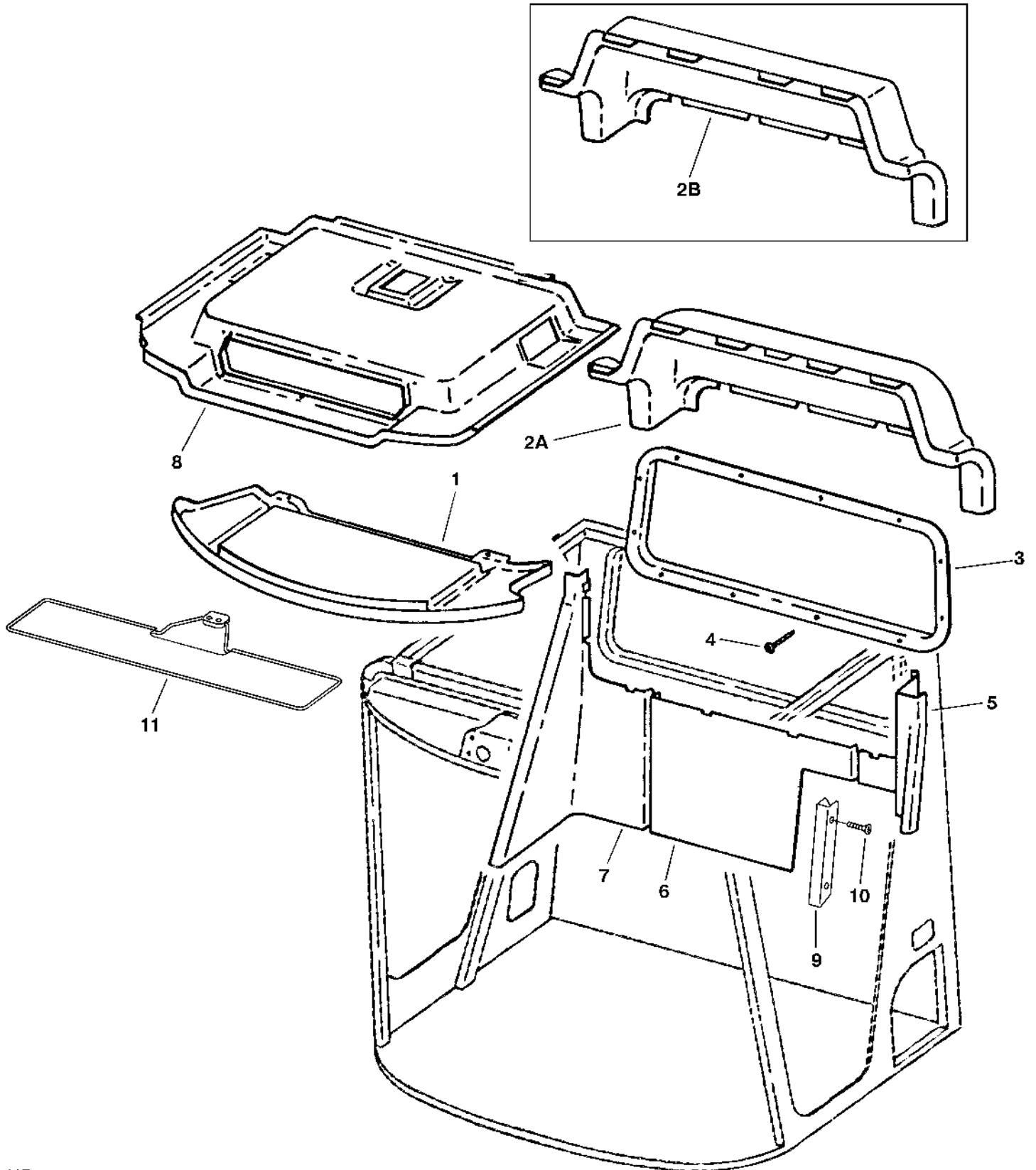
CAB REAR AND SIDE SEALS - CONTINUED

KEY	PART NO.	PART NAME	QTY	SERIAL NO.	REMARKS
1	H135614	SEAL	2		
2	H133391	BRACKET	1		
3	37M7089	SCREW	8		M6 X 12
4	AH141774	SEAL	1		(SUB FOR AH125643)
5	H85233	RIVET	16		
6	H135615	RETAINER	2		

5B21

OPERATOR'S STATION

CAB INTERIOR TRIM PANELS
HP6763 -UN-11JUL97



HP6763

5B22

OPERATOR'S STATION

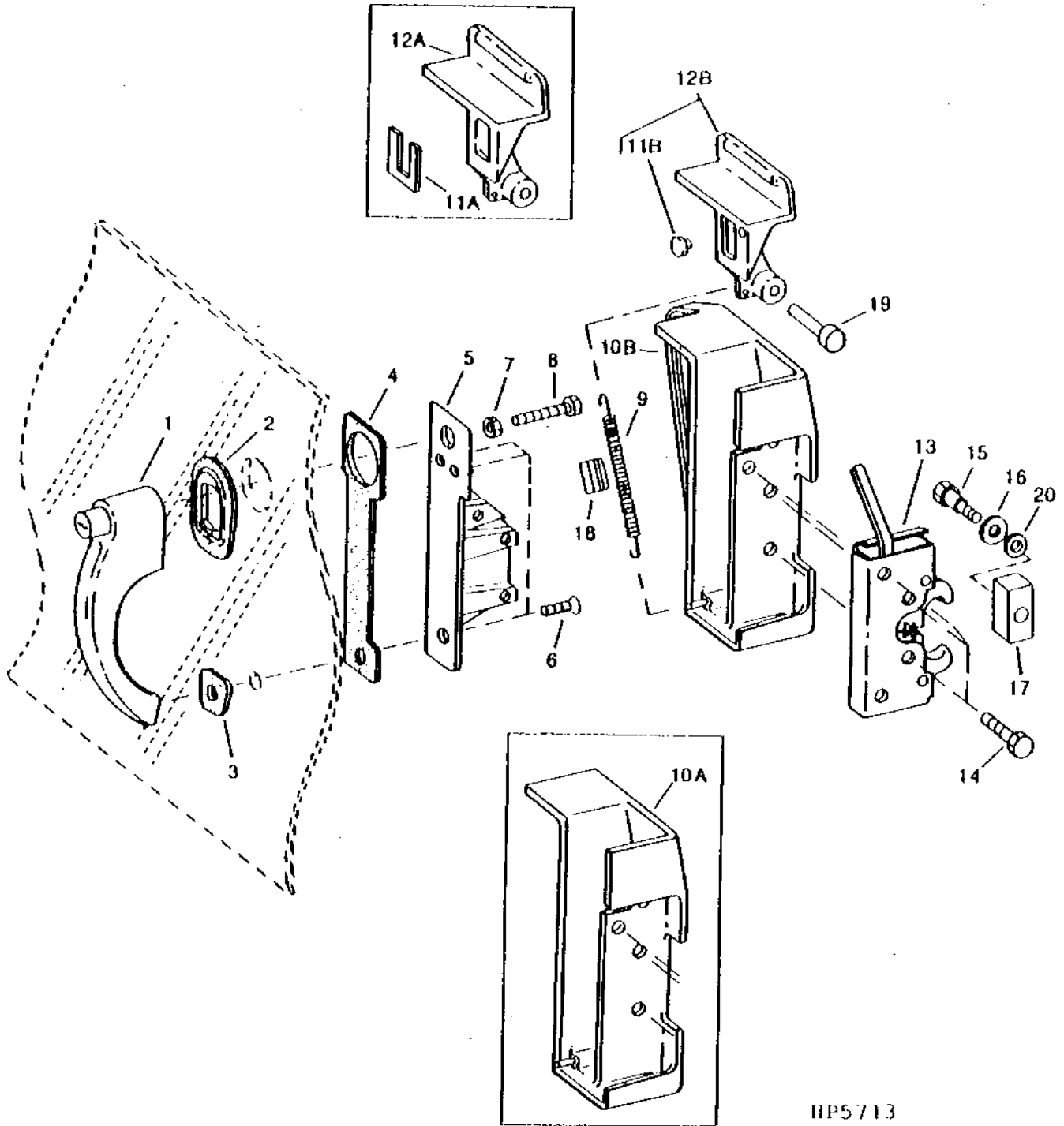
CAB INTERIOR TRIM PANELS - CONTINUED

KEY	PART NO.	PART NAME	QTY	SERIAL NO.	REMARKS
1	AH120887	HEADLINER	1		FRONT, WITHOUT SUN VISOR
	AH153911	HEADLINER	1		FRONT, WITH SUN VISOR
2A	AH120889	HEADLINER	1	-665283	REAR
2B	AH149883	HEADLINER	1	665284-	
3	H168431	BEZEL	1		(SUB FOR H125513) REAR
4	H119088	SCREW	12		
5	AH120891	PANEL	1		L.H.
6	AH121613	PANEL	1		REAR
7	AH120890	PANEL	1		R.H.
8	AH136326	HEADLINER	1	-665282	(SUB FOR AH120888)
	AH149882	HEADLINER	1	665283-	
9	H124210	COVER	1		
10	H132452	CAP SCREW	2		M6 X 50
11	AH151123	SUN VISOR	1		
..	AH133088	KIT	1		SERVICE KIT FOR CAB HARDWARE

5B23

OPERATOR'S STATION

CAB DOOR LATCH
HP5713 -UN-01JAN94



HP5713

5B24

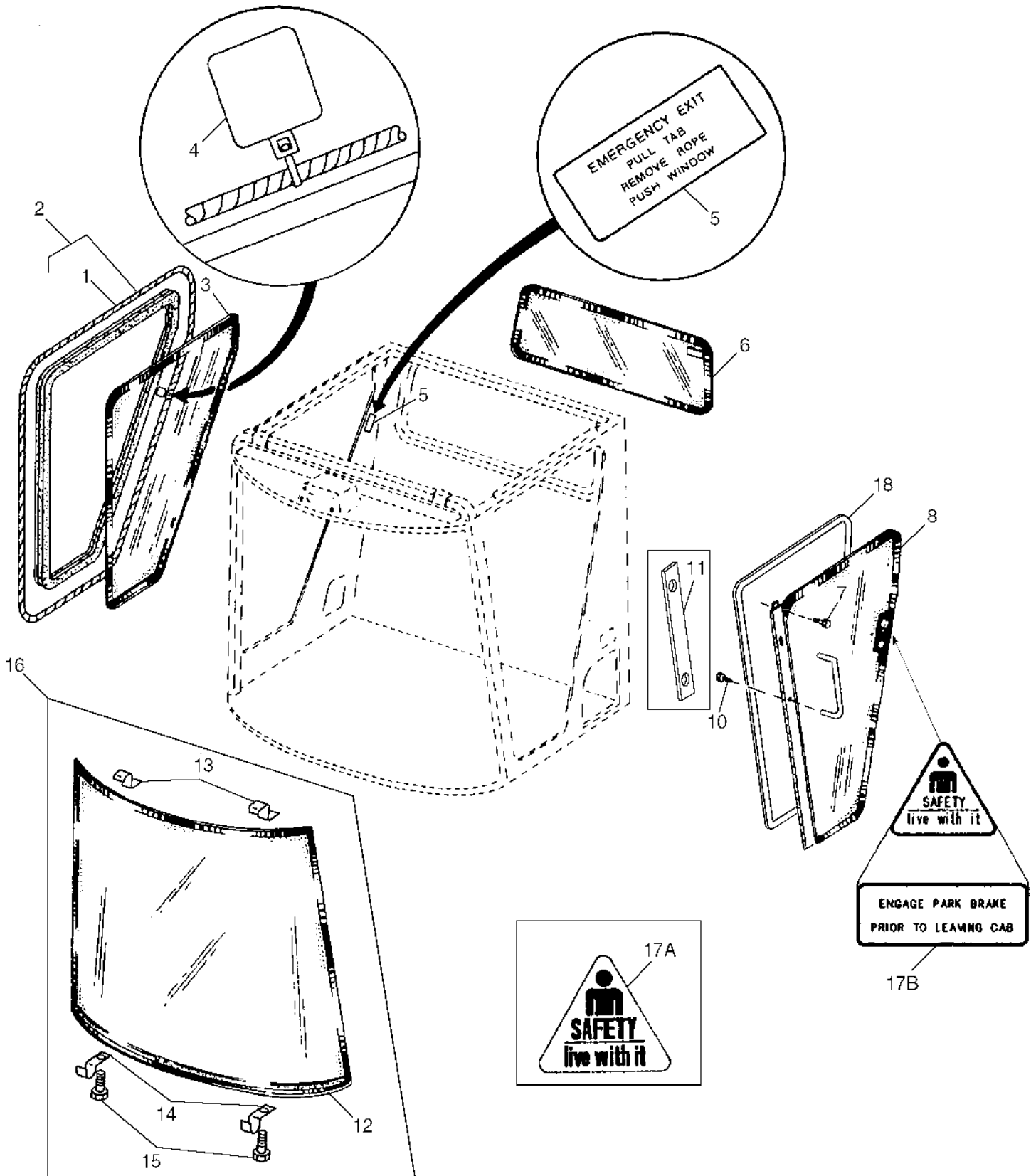
OPERATOR'S STATION

CAB DOOR LATCH - CONTINUED

KEY	PART NO.	PART NAME	QTY	SERIAL NO.	REMARKS
1	RE35161	HANDLE	1		
2	H126082	BEZEL	1		
3	H126081	BEZEL	1		
4	H126083	ISOLATOR	1		
5	H133414	SUPPORT	1		
6	21M7334	SCREW	3		M6 X 25
7	14H786	NUT	1		1/4"
8	19H1898	CAP SCREW	1		1/4" X 1-1/2"
9	H134671	EXTENSION SPRING	1		
10A	H133413	HANDLE	1	-650561	
10B	H150047	HOUSING	1	650562-	
11A	H135887	BUMPER	1	-640684	
11B	H145893	BUMPER	1	640685-	
12A	H133415	HANDLE	1	-640684	
12B	AH140838	HANDLE	1	640685-	INCLUDES H145893
13	AH128585	LATCH	1		
14	19M8326	CAP SCREW	3		M6 X 35
15	H136589	BOLT	1		
16	24H1219	WASHER	AR		7/16" X 1" X 0.083"
17	H133219	ADJUSTING STRAP	1		
18	H107566	ISOLATOR	1		
19	H136056	PIN	1		
20	H136590	DISK SPRING	1		
..	TY9370	ADHESIVE	1		6 OZ. MEDIUM STRENGTH - CANADA NUMBER TY9477, APPLY ON 21M7334 SCREW, THREE PLACES

5C1

CAB GLASS AND DOOR
HP8051 -UN-24NOV98



HP8051

5C2

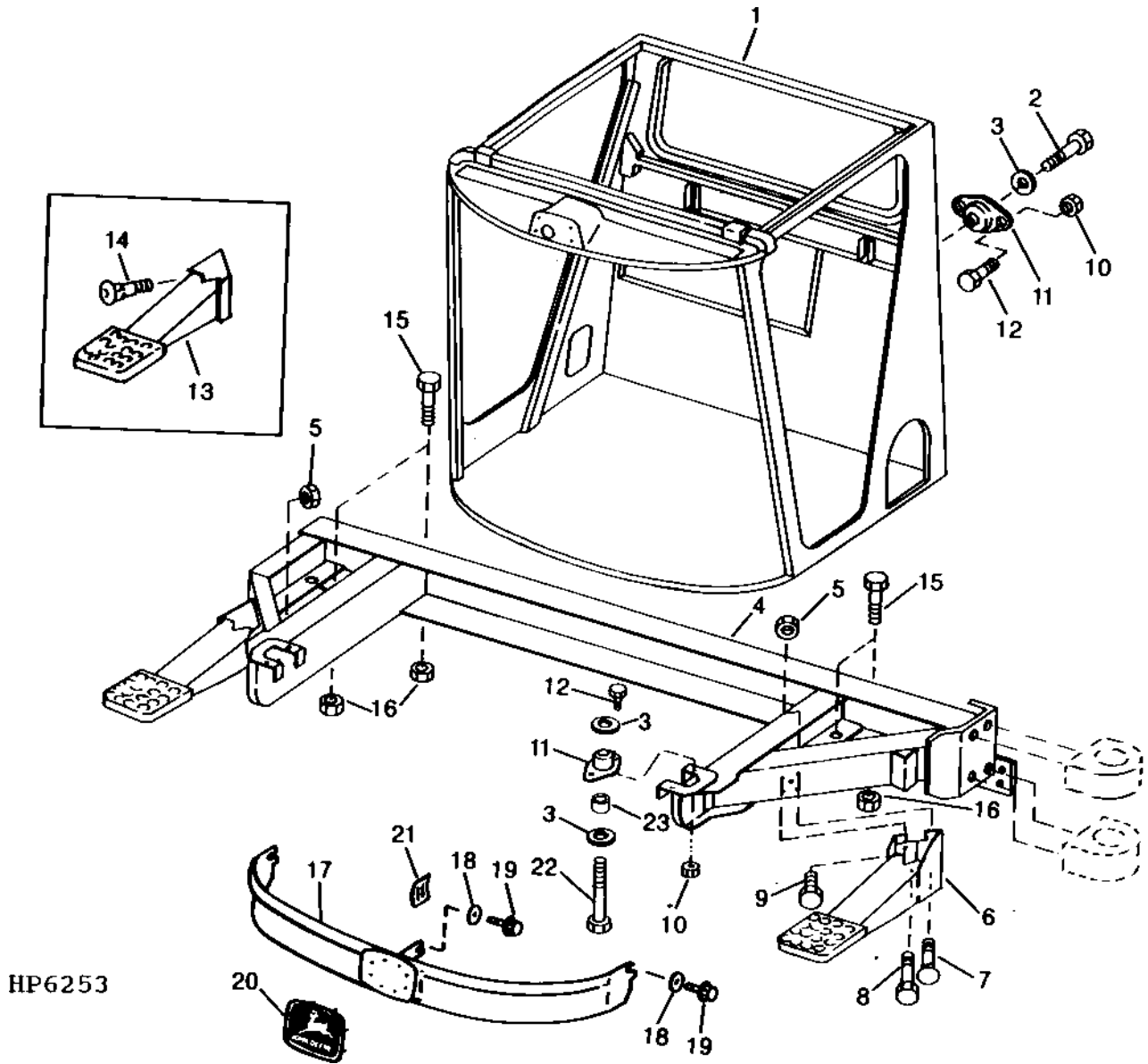
OPERATOR'S STATION

CAB GLASS AND DOOR - CONTINUED

KEY	PART NO.	PART NAME	QTY	SERIAL NO.	REMARKS
1	WEATHERSTRIP	1		(SUB AH106010)
2	AH106010	WEATHERSTRIP	1		
3	H123794	WINDOWPANE	1		
4	H138297	TIE BAND	1		
5	H134535	LABEL	1		
6	H125769	WINDOWPANE	1		
7	37M7160	SCREW	AR		M6 X 16
8	AH125963	DOOR	1		(SUB AH154280)
	AH154280	DOOR	1		
9	H131720	RAIL	1		
10	19M8358	CAP SCREW	AR		M10 X 20
11	H131721	STRAP	1		
12	WINDSHIELD	1		
13	AH132819	BRACKET	2		
14	H128392	CLAMP	2		
15	19M7866	SCREW	2	-630691	M8 X 20
16	AH132117	WINDSHIELD	1		(SUB AH141412)
	AH141412	WINDSHIELD	1		
17A	H138955	LABEL	1	-640463	SAFETY
17B	H145982	LABEL	1	640464-	SAFETY
	H145983	LABEL	1		EXPORT ONLY-FRANCE
18	AH80335	WEATHERSTRIP	1		
..	AH126265	CAB	1		

5C3

CAB FRAME AND SUPPORT
HP6253 -UN-04JAN96



5C4

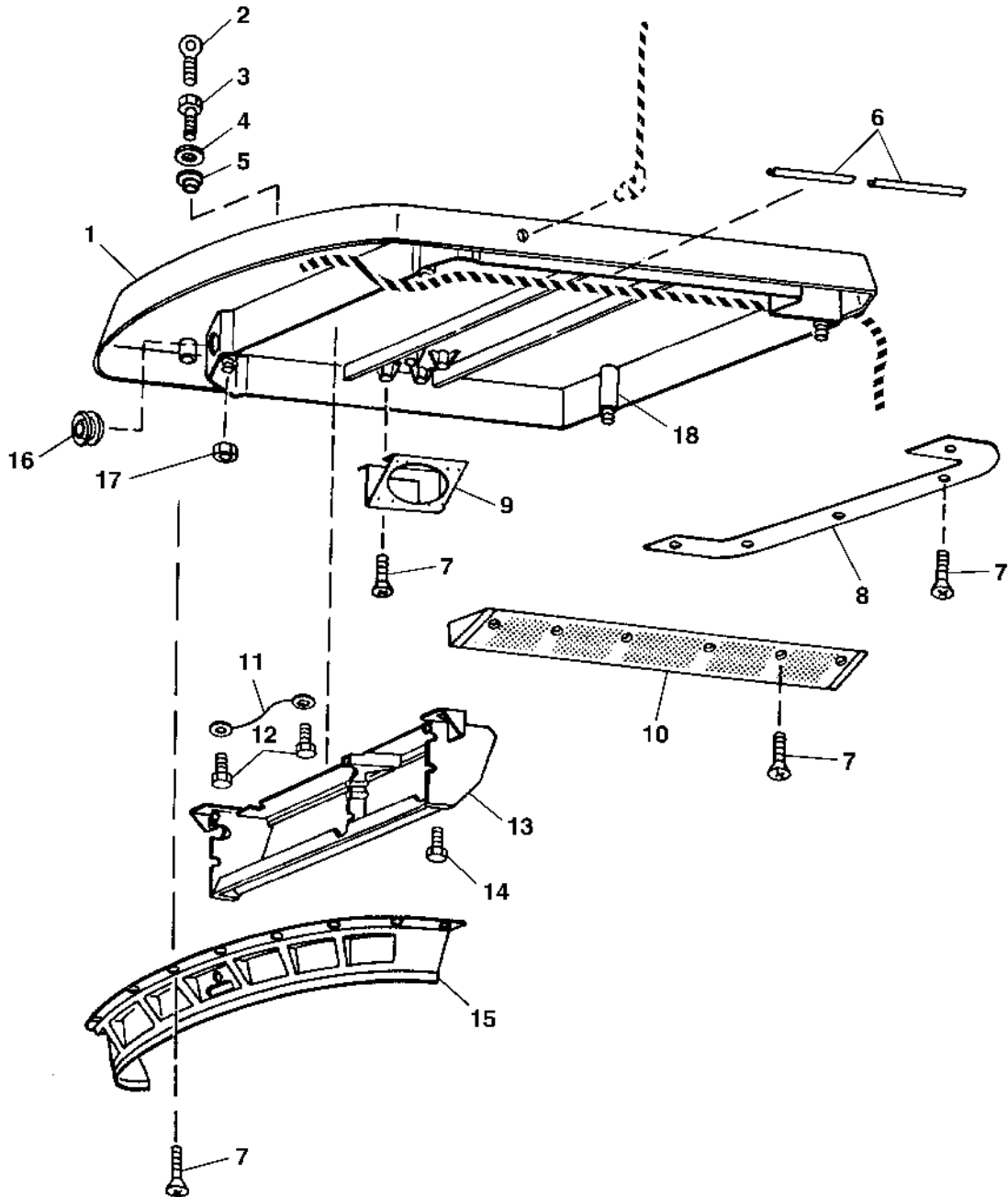
OPERATOR'S STATION

CAB FRAME AND SUPPORT - CONTINUED

KEY	PART NO.	PART NAME	QTY	SERIAL NO.	REMARKS
1	AH126265	CAB	1		(NO LONGER AVAILABLE)
2	19M7268	CAP SCREW	2		M12 X 25 (GOES THRU ISOLATION (CAB) MOUNT)
3	24M7103	WASHER	4		17.500 X 56 X 5 MM
4	AH130914	SUPPORT	1	-645259	(SUB AH141161)
	AH141161	SUPPORT	1		
5	14M7296	FLANGE NUT	7		M10
6	AH130594	STEP	1		
7	03M7191	BOLT	1	-645280	M10 X 25 TOP R.H. HOLE
	19M7785	SCREW	1	645281-	M10 X 25 TOP R.H. HOLE
8	03M7190	BOLT	2	-645280	M10 X 20 BOTTOM TWO HOLES
	19M7785	SCREW	2	645281-	M10 X 25 BOTTOM TWO HOLES
9	19M7784	SCREW	1		M10 X 20 TOP L.H. HOLE
10	14M7299	FLANGE NUT	8		M12
11	AH108299	RUBBER MOUNT	4		
12	19M7788	SCREW	8		M12 X 25
13	AH130595	STEP	1	-645259	
14	03M7190	BOLT	4	-645259	M10 X 20
15	19M7789	SCREW	4		M12 X 30
16	14M7299	FLANGE NUT	4		M12
17	H127679	SHIELD	1		(SUB AH132148)
	AH132148	SHIELD	1		
18	24M7207	WASHER	3		8.400 X 24 X 2 MM
19	37M7058	SCREW	3		M8 X 20
20	H136158	LABEL	1	-655680	(SUB H149480) "LEAPING DEER"
	H149480	LABEL	1		(USE WITH H98111)
21	H98111	NUT	8		
22	19M7546	CAP SCREW	2		M16 X 150
23	H96690	SPACER	2		16.662 X 31.750 X 28.956 MM (21/32" X 1-1/4" X 1.140")

5C5

CAB ROOF AND SUPPORTS
HP6726 -UN-22MAY97



HP6726

5C6

OPERATOR'S STATION

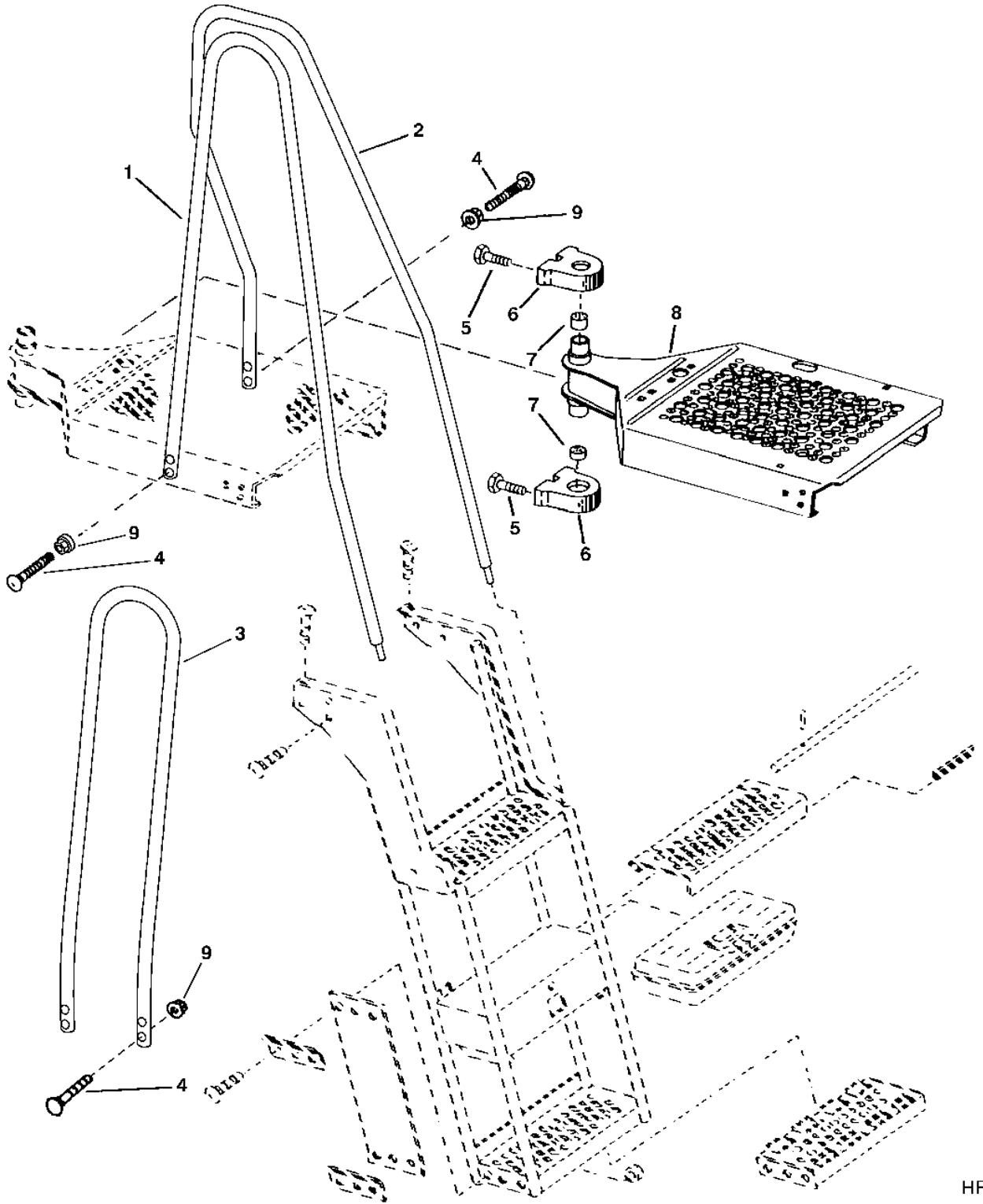
CAB ROOF AND SUPPORTS - CONTINUED

KEY	PART NO.	PART NAME	QTY	SERIAL NO.	REMARKS
1	AH131424	ROOF	1	-635180	(SUB AH135315)
	AH135315	ROOF	1	-29SEP7	(SUB AH153796)
	AH153796	ROOF	1	29SEP7-	
2	EYEBOLT	1		12 MM, FOR ROOF REMOVAL
3	19M7789	SCREW	2		M12 X 30
4	24M7051	WASHER	2		21 X 37 X 3 MM
5	H123991	SEALING WASHER	2		
6	AH120541	SEAL	AR		
7	H123995	SCREW	27		
8	H130302	COVER	1	-635180	(SUB H143460)
	H143460	COVER	1		
9	H123773	SUPPORT	2	-640100	(SUB H144472)
	H144472	SUPPORT	2		
10	H130301	COVER	2		
11	AH124882	WIRING LEAD	2		
12	H114038	SCREW	4		
13	AH124881	SUPPORT	1	-635201	(SUB AH136557) FITS ONLY AH131424 ROOF
	AH136557	SUPPORT	1		
14	H116188	SCREW	4		
15	H130303	COVER	1		
16	H123796	GROMMET	1		
17	14M7296	FLANGE NUT	4	M10	
18	H123740	STUD	4		

5C7

OPERATOR'S STATION

OPERATOR'S PIVOTING PLATFORM AND HANDRAILS
HP6504 -UN-15JUL96



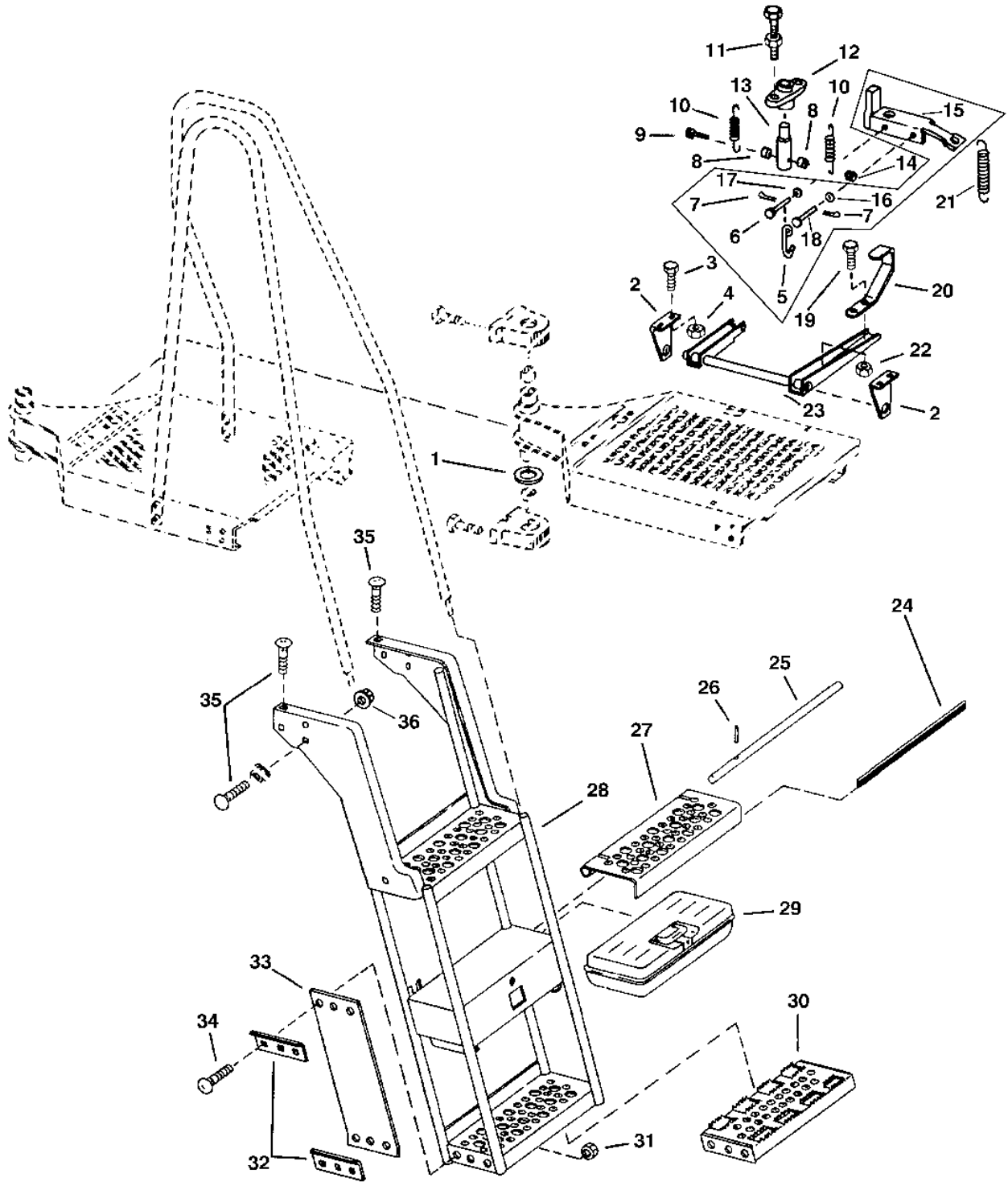
HP6504

OPERATOR'S PIVOTING PLATFORM AND HANDRAILS - CONTINUED

KEY	PART NO.	PART NAME	QTY	SERIAL NO.	REMARKS
1	H136142	HANDRAIL	1	-27SE99	L.H., USE WITH AH133498. (SERVICE FOR AH148181)
	H167173	HANDRAIL	1	28SE99-	
	H136143	HANDRAIL	1	-27SE99	USE WITH AH133499 OR AH133500.
	H167174	HANDRAIL	1	28SE99-	
2	AH131845	HANDRAIL	1	-27SE99	USE WITH AH133499
	AH160473	HANDRAIL	1	28SE99-	
	AH131851	HANDRAIL	1	-27SE99	USE WITH AH133499 OR AH133500.
	AH160474	HANDRAIL	1	28SE99-	
	AH131844	HANDRAIL	1	-27SE99	L.H. UPPER, USE WITH AH133498.
	AH160472	HANDRAIL	1	28SE99-	
3	H131626	HANDRAIL	1	-27SE99	
	AH160469	HANDRAIL	1	28SE99-	
4	03M7196	BOLT	8		M10 X 50
5	19M7792	SCREW	4		M16 X 30
6	H129610	BUSHING	2		
7	H111478	SLEEVE	2	-631400	
8	AH133498	EXTENSION	1	-27SE99	(810 MM) EXTENSION WITH 30.5 X 32 TIRES WITH 165 MM AXLE SPACERS, (SUB FOR AH131847)
	AH159185	EXTENSION	1	28SE99-	
	AH133499	EXTENSION	1		940 MM EXTENSION WITH 24.5 X 32 OR 30.5 X 32 WITH 400 MM AXLE SPACERS. (SUB FOR AH131848)
	AH133500	EXTENSION	1	-27SE99	1260 MM EXTENSION WITH 24.5 X 32 OR 30.5 X 32 WITH 400 MM AXLE SPACERS. (SUB FOR AH131849)
	AH159187	EXTENSION	1	28SE99-	
	AH157029	EXTENSION	1	-27SE99	
	AH159186	EXTENSION	1	28SE99-	
9	14M7400	LOCK NUT	8		M10
..	BH80671	COMPLETE GOODS/SHIP. BUNDLE	1		HANDRAIL CONVERSION (TO 1269 MM)
..	BH80673	COMPLETE GOODS/SHIP. BUNDLE	1		HANDRAIL CONVERSION (810 MM TO 940 MM)
..	BH71919	COMPLETE GOODS/SHIP. BUNDLE	1		HANDRAIL CONVERSION (810 MM TO 940 MM)
..	BH71917	COMPLETE GOODS/SHIP. BUNDLE	1		HANDRAIL CONVERSION (940 MM TO 1260)

5C9

OPERATOR'S PLATFORM LADDER AND LATCH (-660100)
HP6505 -UN-15JUL96



HP6505

5C10

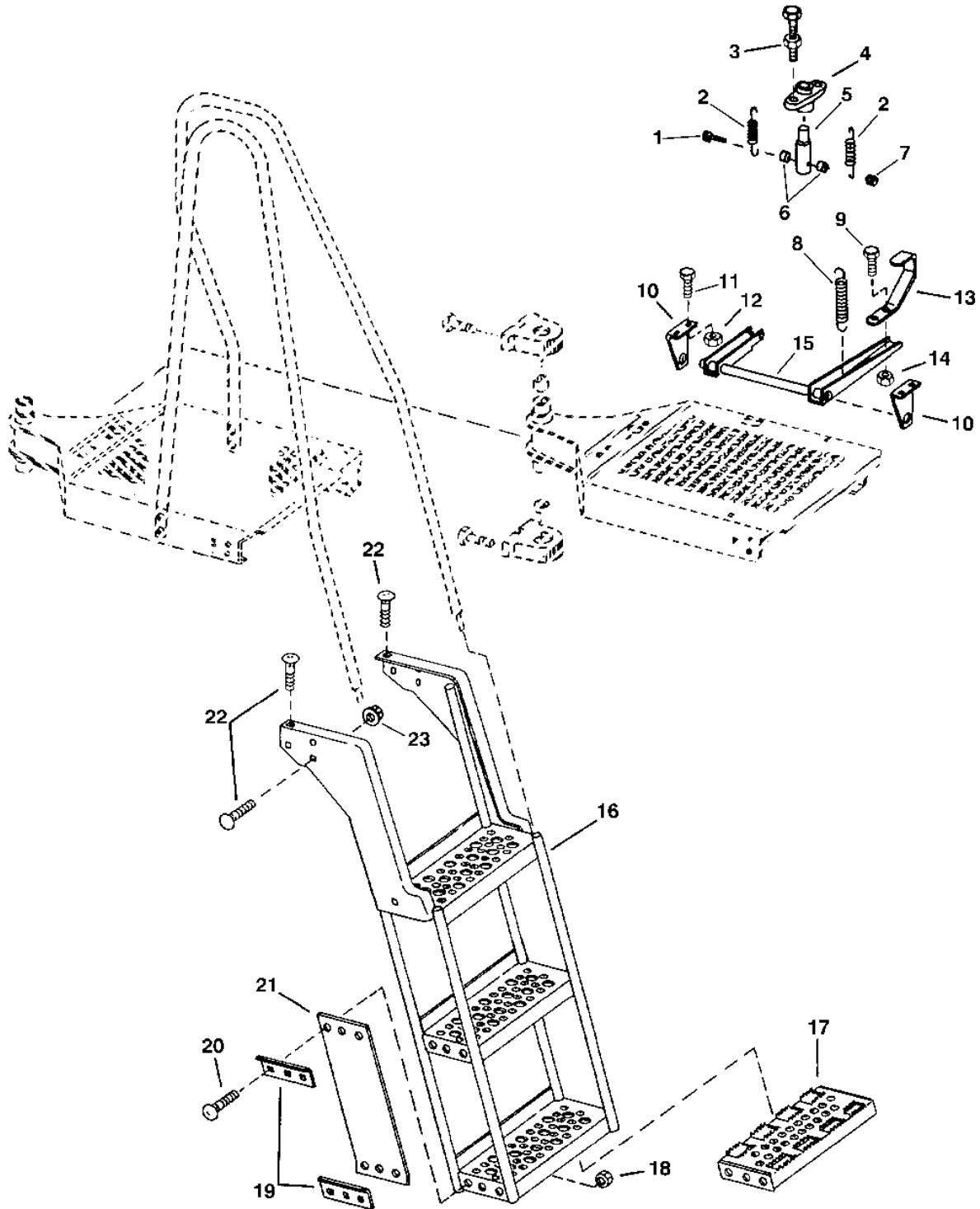
OPERATOR'S STATION

OPERATOR'S PLATFORM LADDER AND LATCH (-660100) - CONTINUED

KEY	PART NO.	PART NAME	QTY	SERIAL NO. OR YEAR	REMARKS
1	AH109874	BEARING	1	-631400	
2	H129763	BRACKET	2		
3	03M7251	BOLT	4		M6 X 12
4	14M7303	FLANGE NUT	4		M6
5	H137358	CONNECTOR	1		
6	45M7046	PIN	1	-640101	8 X 40 MM, (SUB B2290R)
	B2290R	PIN	1	-640101	
7	11M7009	COTTER PIN	2	-640101	2 X 16 MM
8	28H1903	BUSHING	2		
9	19M7803	SCREW	AR		M8 X 70
10	H137360	EXTENSION SPRING	2		
11	03M7186	BOLT	2		M8 X 30
	14M7396	LOCK NUT	2		M8
12	H129761	BUSHING	1		
13	H129760	PIN	1		
14	14M7298	FLANGE NUT	1		M8
15	AH132147	LATCH	1	-640101	
16	24M7088	WASHER	1	-640101	6.600 X 12 X 1.600 MM
17	24M7036	WASHER	1	-640101	9 X 16 X 1.600 MM
18	M88436	PIN	1	-640101	6.350 X 49.300 MM
19	03M7184	BOLT	2		M8 X 20
20	H133514	LEVER	1		
21	R60730	SPRING	1		
22	14M7298	FLANGE NUT	AR		
23	AH128610	LATCH	1		
24	ISOLATOR	1	-660100	CUT 400 MM (16") FROM N191488, (USE WITH AH131848)
25	H133327	PIN	1	-660100	
26	11M7081	COTTER PIN	2	-660100	
27	H136012	STEP	1	-660100	
28	AH131747	LADDER	1	-660100	(SUB AH145678) WITH TOOLBOX OPENING
	AH165990	LADDER	1		(SUB FOR AH145678) WITHOUT TOOLBOX OPENING
29	AH114877	TOOLBOX	1	-660100	
30	H136011	STEP	1		
31	14M7396	LOCK NUT	AR		M8
32	H136127	PLATE	4		
33	H136126	HANGER	2	-29SEP7	(USE WITH AH133499)
34	03M7185	BOLT	12		M8 X 25
35	03M7190	BOLT	8		M10 X 20
36	14M7296	FLANGE NUT	8		M10

5C11

OPERATOR'S PLATFORM LADDER AND LATCH (660101-)
HP6506 -UN-15JUL96



HP6506

5C12

OPERATOR'S STATION

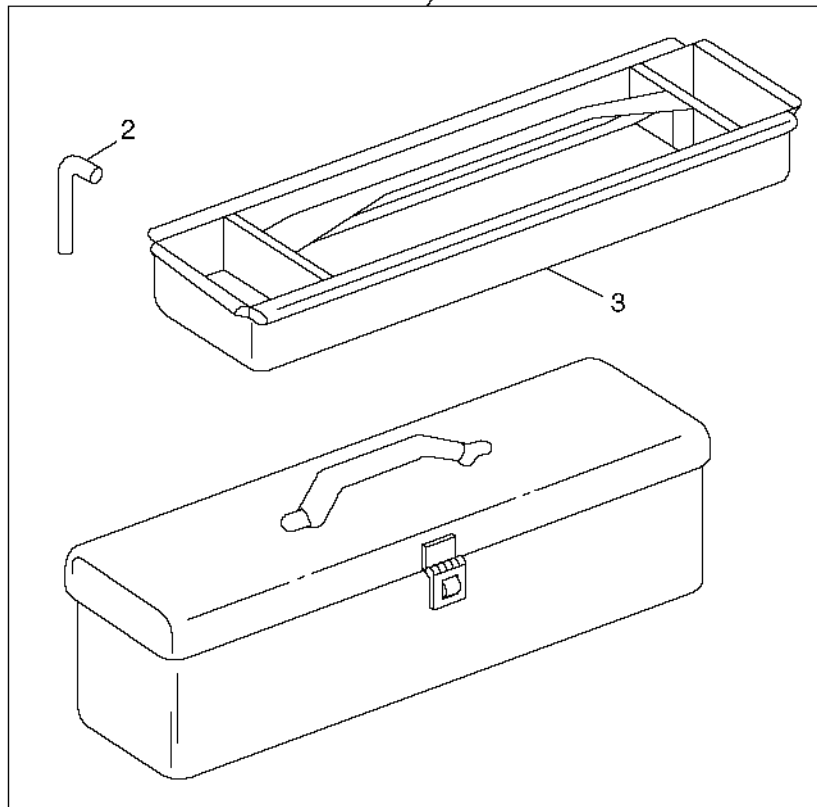
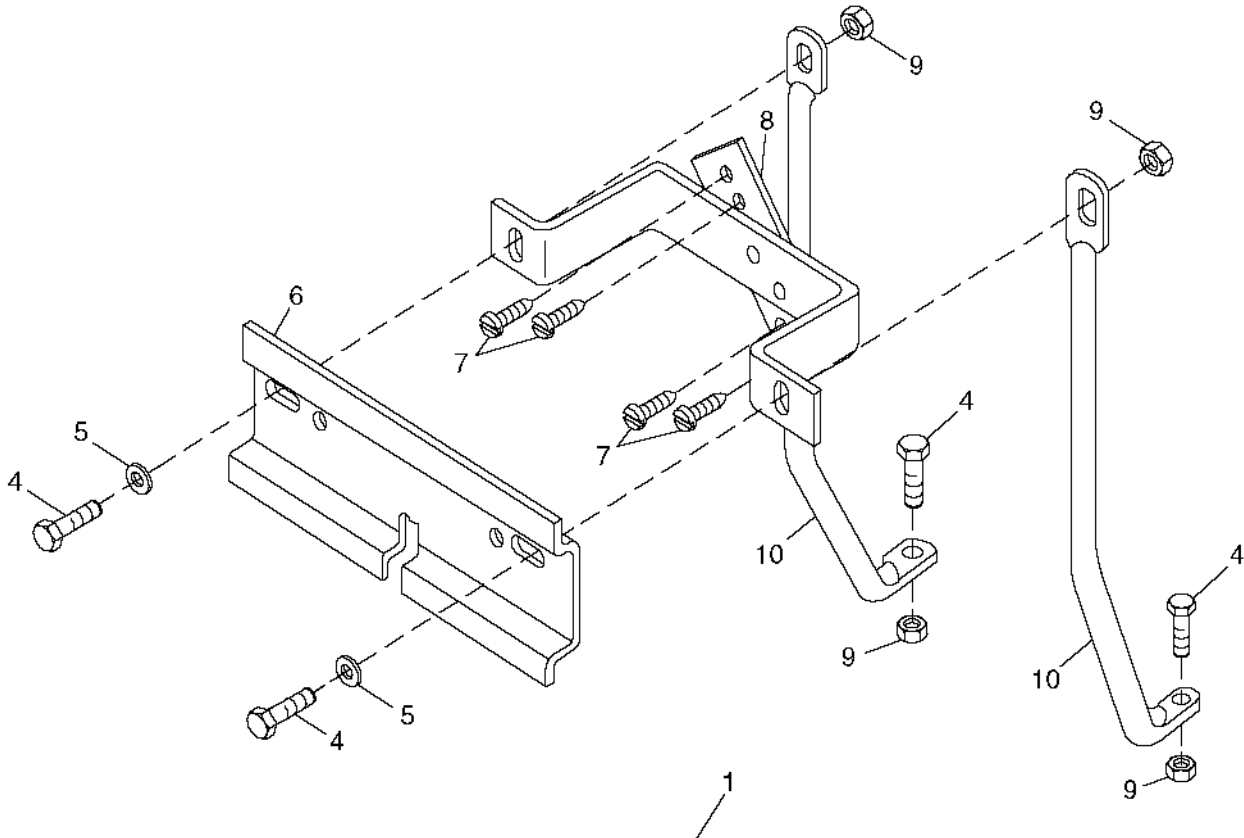
OPERATOR'S PLATFORM LADDER AND LATCH (660101-) - CONTINUED

KEY	PART NO.	PART NAME	QTY	SERIAL NO.	REMARKS
1	19M7803	SCREW	AR	M8 X 70	
2	H137360	EXTENSION SPRING	2		
3	03M7186	BOLT	2	M8 X 30	
	14M7396	LOCK NUT	2	M8	
4	H129761	BUSHING	1		
5	H129760	PIN	1		
6	28H1903	BUSHING	2		
7	14M7298	FLANGE NUT	1		
8	R60730	SPRING	1		
9	03M7184	BOLT	2	M8 X 20	
10	H129763	BRACKET	2		
11	03M7251	BOLT	4	M6 X 12	
12	14M7303	FLANGE NUT	4	M6	
13	H133514	LEVER	1		
14	14M7298	FLANGE NUT	2	M8	
15	AH128610	LATCH	1		
16	AH165990	LADDER	1	(SUB FOR AH145678) WITHOUT TOOLBOX OPENING	
17	H136011	STEP	1		
18	14M7396	LOCK NUT	12	M8	
19	H136127	PLATE	4		
20	03M7185	BOLT	12	M8 X 25	
21	H136126	HANGER	2	(USE WITH AH133499)	
22	03M7190	BOLT	8	M10 X 20	
23	14M7296	FLANGE NUT	8	M10	

5C13

OPERATOR'S STATION

TOOL BOX
(660101-)
HP8490 -UN-13JUL99



HP8490

5C14

OPERATOR'S STATION

TOOL BOX - CONTINUED
(660101-)

KEY	PART NO.	PART NAME	QTY	SERIAL NO.	REMARKS
1	AT22070	TOOLBOX	1		
2	T23027	PIN	1		
3	AT22073	HOLDER	1		
4	19M7785	SCREW	4	M10 X 25	
5	24M7178	WASHER	2	10.500 X 30 X 2.500 MM (0.413" X 1.181" X 0.098")	
6	T23033	BRACKET	1		
7	37M7058	SCREW	4	M8 X 20	
8	AH145157	BRACKET	1		
9	14M7296	FLANGE NUT	4	M10	
10	H150951	BRACE	2		
..	BH81052	COMPLETE GOODS/SHIP. BUNDLE	1		TOOL BOX ASSEMBLY - WITH TRAY AND BRACKET

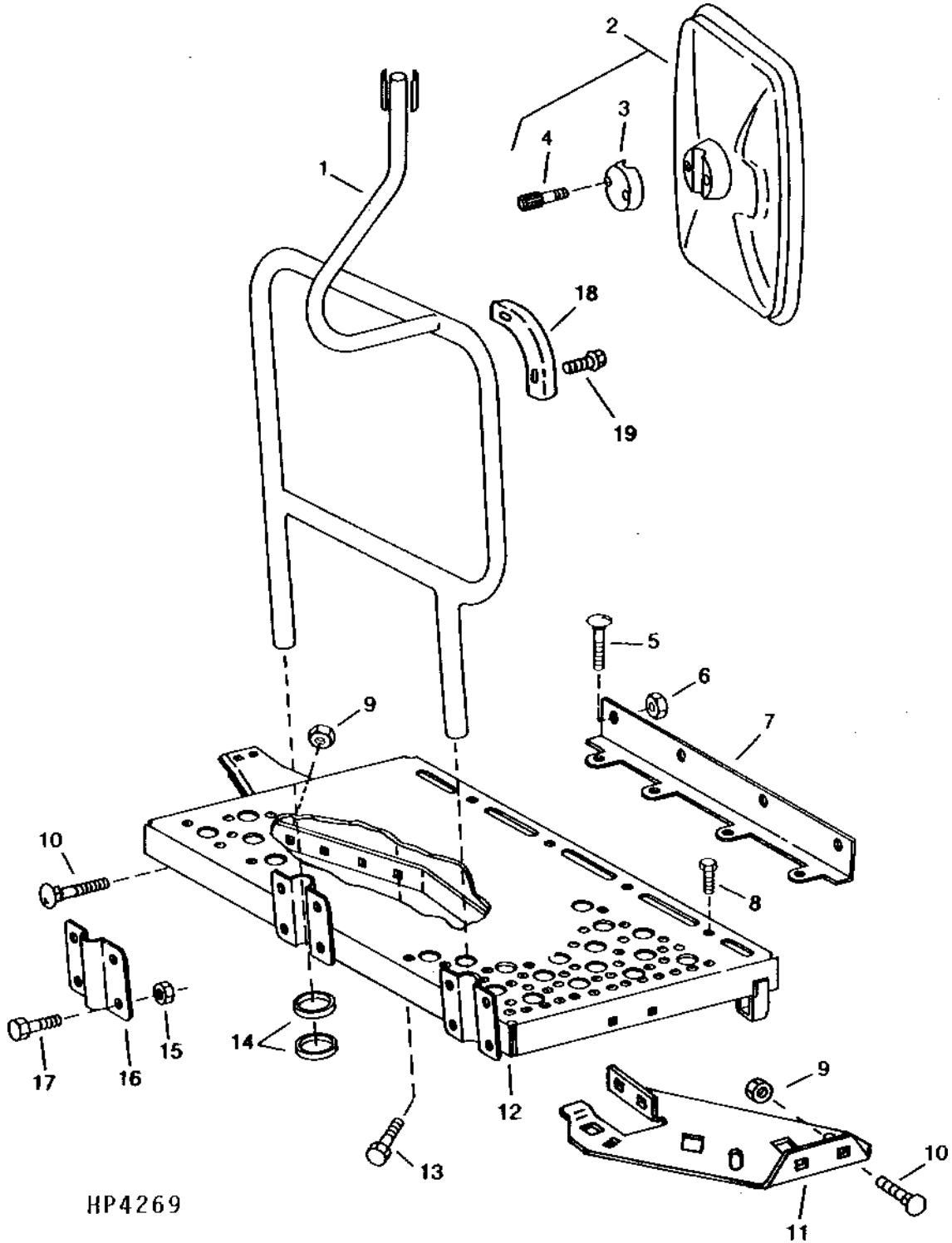
5C15

OPERATOR'S STATION

CAB LEFT-HAND LANDING AND MIRROR

(-650100)

HP4269 -UN-01JAN94



HP4269

5C16

OPERATOR'S STATION

CAB LEFT-HAND LANDING AND MIRROR - CONTINUED
 (-650100)

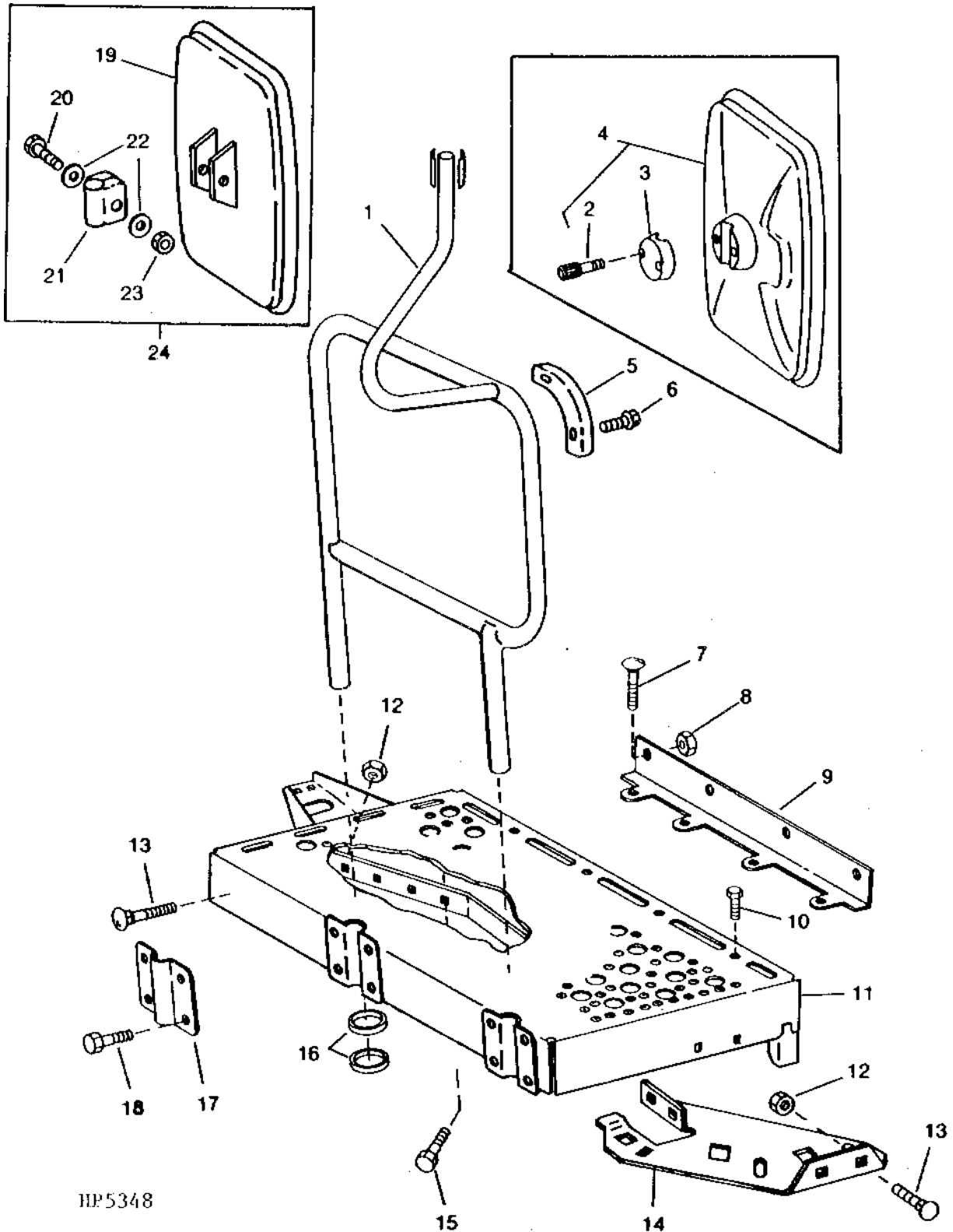
KEY	PART NO.	PART NAME	QTY	SERIAL NO.	REMARKS
1	AH131843	RAIL	1		
2	AZ31008	REAR VIEW MIRROR	1		
	AZ42315	REAR VIEW MIRROR	1	-655268	(EXPORT)
	AZ49140	REAR VIEW MIRROR	1	655269-	(EXPORT)
3	PLATE	1		
4	19M8505	SCREW	2		
5	03M7183	BOLT	AR		M8 X 16
6	14M7298	FLANGE NUT	AR		M8
7	H130362	ANGLE	1		
8	37M7058	SCREW	AR		M8 X 20
9	14M7296	FLANGE NUT	AR		M10
10	19M7784	SCREW	AR		M10 X 20
11	H172944	PLATE	1		(SUB FOR H134544)
12	AH131881	PLATFORM	1		
13	19M7784	SCREW	AR		M10 X 20
14	H136110	ISOLATOR	4		
15	14M7303	FLANGE NUT	2		M6
16	H136109	SUPPORT	2	-670253	
	H161289	CLAMP	4	670254-	
17	19M7862	SCREW	4		M6 X 20
18	AH122099	BUMPER	1		
19	37M7046	SCREW	2		

5C17

OPERATOR'S STATION

CAB LEFT-HAND LANDING AND MIRROR

(650101-)
HP5348 -UN-01JAN94



HP5348

5C18

OPERATOR'S STATION

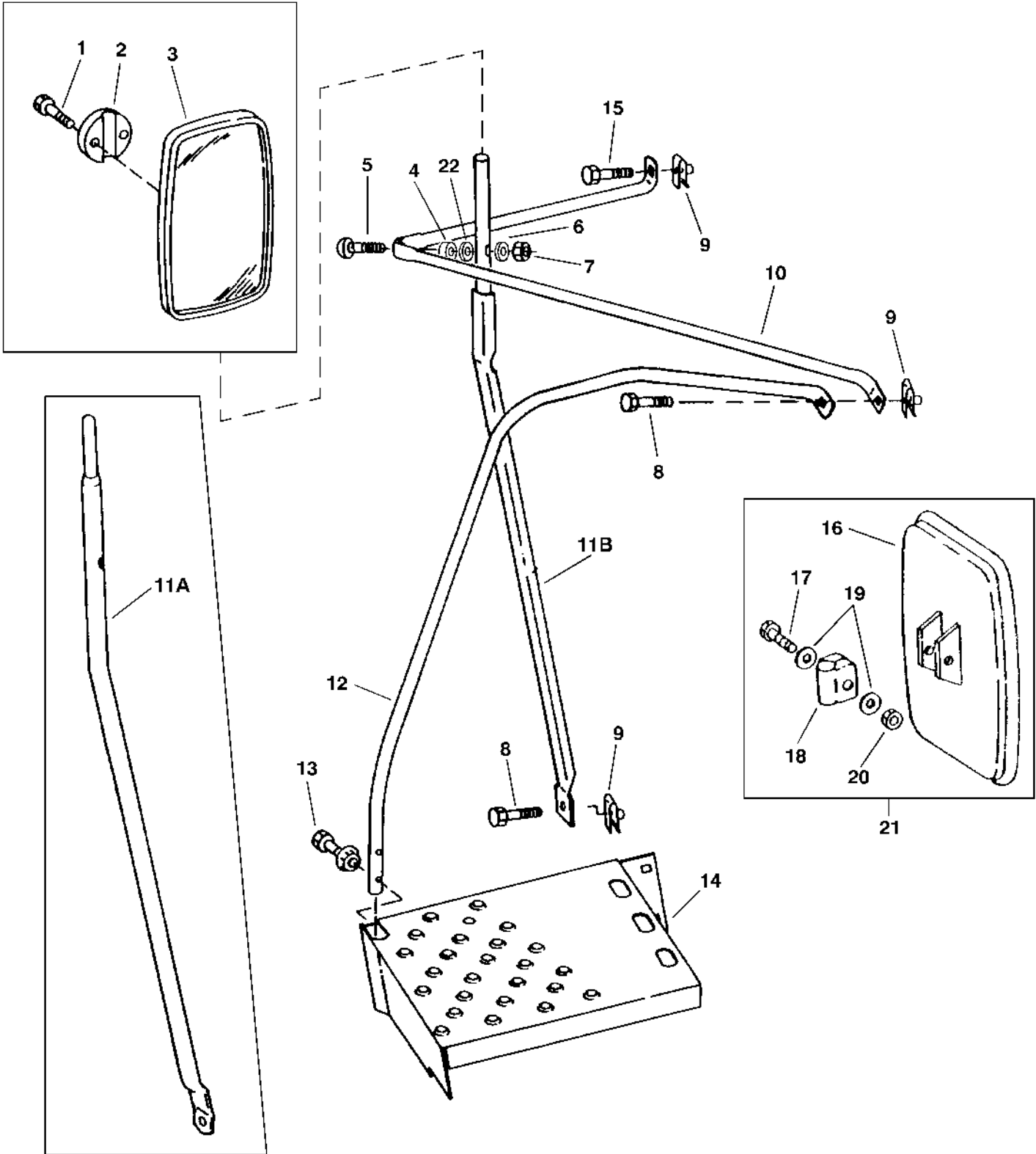
CAB LEFT-HAND LANDING AND MIRROR - CONTINUED
(650101-)

KEY	PART NO.	PART NAME	QTY	SERIAL NO.	REMARKS
1	AH141804	RAIL	1	-27SE99	
	AH160115	HANDRAIL	1	28SE99-	
2	19M8505	SCREW	1	-650339	M6 X 25
3	PLATE	1	-650339	
4	AZ31008	REAR VIEW MIRROR	1	-650339	
	AZ42315	REAR VIEW MIRROR	1	-655268	(EXPORT)
	AZ49140	REAR VIEW MIRROR	1	655269-	(EXPORT)
5	AH122099	BUMPER	1		
6	37M7046	SCREW	2		
7	03M7183	BOLT	AR		M8 X 16
8	14M7298	FLANGE NUT	AR		M8
9	H130362	ANGLE	1		
10	37M7058	SCREW	AR		M8 X 20
11	AH141812	PLATFORM	1		
12	14M7296	FLANGE NUT	AR		M10
13	19M7784	SCREW	AR		M10 X 20
14	H172944	PLATE	1		(SUB FOR H134544)
15	19M7784	SCREW	4		M10 X 20
16	H136110	ISOLATOR	4	-670253	
17	H136109	SUPPORT	2		
	H161289	CLAMP	4	670254-	
18	19M7862	SCREW	4		M6 X 20
19	REAR VIEW MIRROR	1	650340-	(ORDER AH142404)
20	BOLT	1	650340-	(ORDER AH142404)
21	CLAMP	1	650340-	(ORDER AH142404)
22	WASHER	1	650340-	(ORDER AH142404)
23	NUT	1	650340-	(ORDER AH142404)
24	AH142404	REAR VIEW MIRROR	1	650340-	

5C19

OPERATOR'S STATION

CAB LANDING AND MIRROR (R.H.)
HP6741 -UN-21JAN98



HP6741

5C20

OPERATOR'S STATION

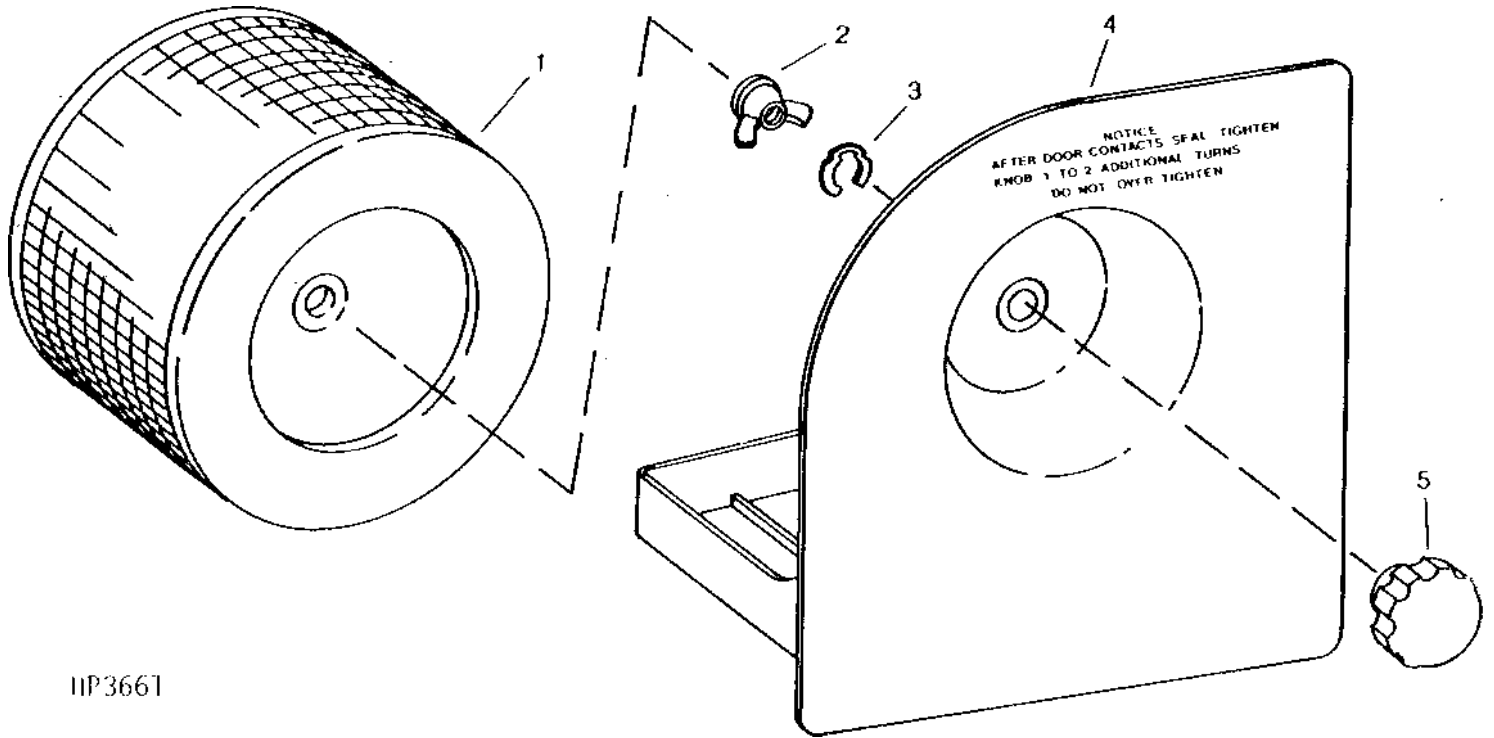
CAB LANDING AND MIRROR (R.H.) - CONTINUED

KEY	PART NO.	PART NAME	QTY	SERIAL NO.	REMARKS
1	19M8505	SCREW	2		
2	PLATE	1		M6 X 25
3	REAR VIEW MIRROR	1		
4	AZ31008	REAR VIEW MIRROR	1	-650341	(SUB AH142404)
	AZ42315	REAR VIEW MIRROR	1		(EXPORT)
	AH142404	REAR VIEW MIRROR	1		
5	03M7195	BOLT	1	-670227	
	19M7805	SCREW	1	29SEP7-	M10 X 1.5 X 45
6	24M7178	WASHER	1		
7	14M7296	FLANGE NUT	1		
8	19M7786	SCREW	3	-645700	
	19M7786	SCREW	2	645701-	
9	H137447	NUT	3		
10	H134724	SUPPORT	1	-670227	
11A	H134723	SUPPORT	1	-640816	(SUB AH137725)
11B	AH137725	SUPPORT	1		
	AH153617	SUPPORT	1	670228-	(SUB CC25449, H163409, H162850 AND 19M7790)
	CC25449	SPACER	1	5JAN98-	
	H163409	SUPPORT	1	5JAN98-	
	H162850	BUSHING	1	5JAN98-	
	19M7790	SCREW	1	5JAN98-	
12	H134536	RAIL	1	-670227	FOR USE WITH 1 260 MM EXTENSION
	H134537	RAIL	1		FOR USE WITH 940 MM EXTENSION
	AH147163	HANDRAIL	1	670228-	
13	03M7216	BOLT	2		M8 X 50, USE WITH 940 MM EXTENSION
	19M7800	SCREW	2		M8 X 50, USE WITH 1 260 MM EXTENSION
	14M7396	LOCK NUT	2	-670227	M8
14	AH130586	SHIELD	1		
15	19M7805	SCREW	1	650101-	M10 X 45
16	REAR VIEW MIRROR	1		
17	BOLT	1		
18	CLAMP	1		
19	WASHER	1		
20	NUT	1		
21	AH142404	REAR VIEW MIRROR	1		
22	R60021	WASHER	1	670228-	
23	R45822	BUSHING	3	670228-	

5C21

OPERATOR'S STATION

CAB AIR FILTER AND HOUSING
 HP3661 -UN-01JAN94



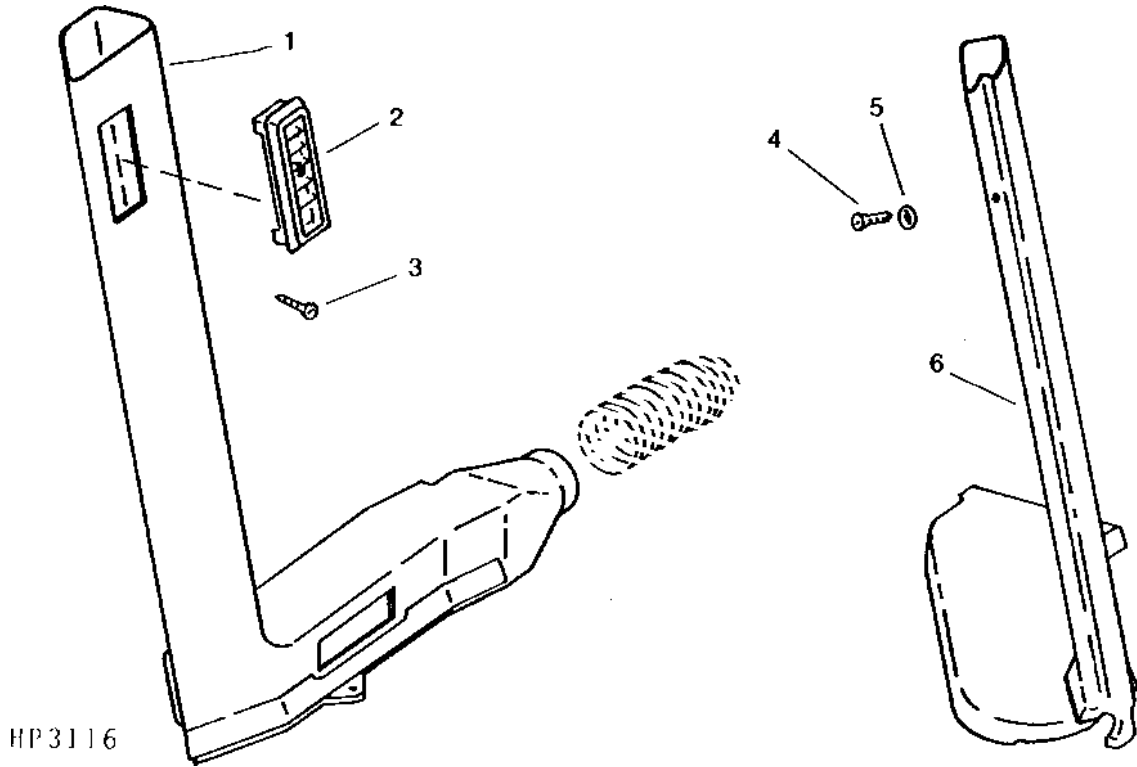
HP3661

KEY	PART NO.	PART NAME	QTY	SERIAL NO.	REMARKS
1	AH115833	AIR FILTER	1		
2	AH131975	NUT	1	-635100	(SUB AH132783)
	AH132783	NUT	1		
3	R58806	SNAP RING	1		
4	AH120419	DOOR	1		DECAL IS NOW EMBOSSED RIGHT ON DOOR
5	AH120446	KNOB	1		
..	H140590	LABEL	1	-630967	NOT NEEDED, INFO EMBOSSED ON DOOR
..	H150119	LABEL	1	650421-	"CHECK PRECLEANER AND PRECLEANER OPENING IN FLOOR (50 HRS)"

5C22

OPERATOR'S STATION

AIR CONDITIONING AND HEATER DUCTS
HP3116 -UN-01JAN94

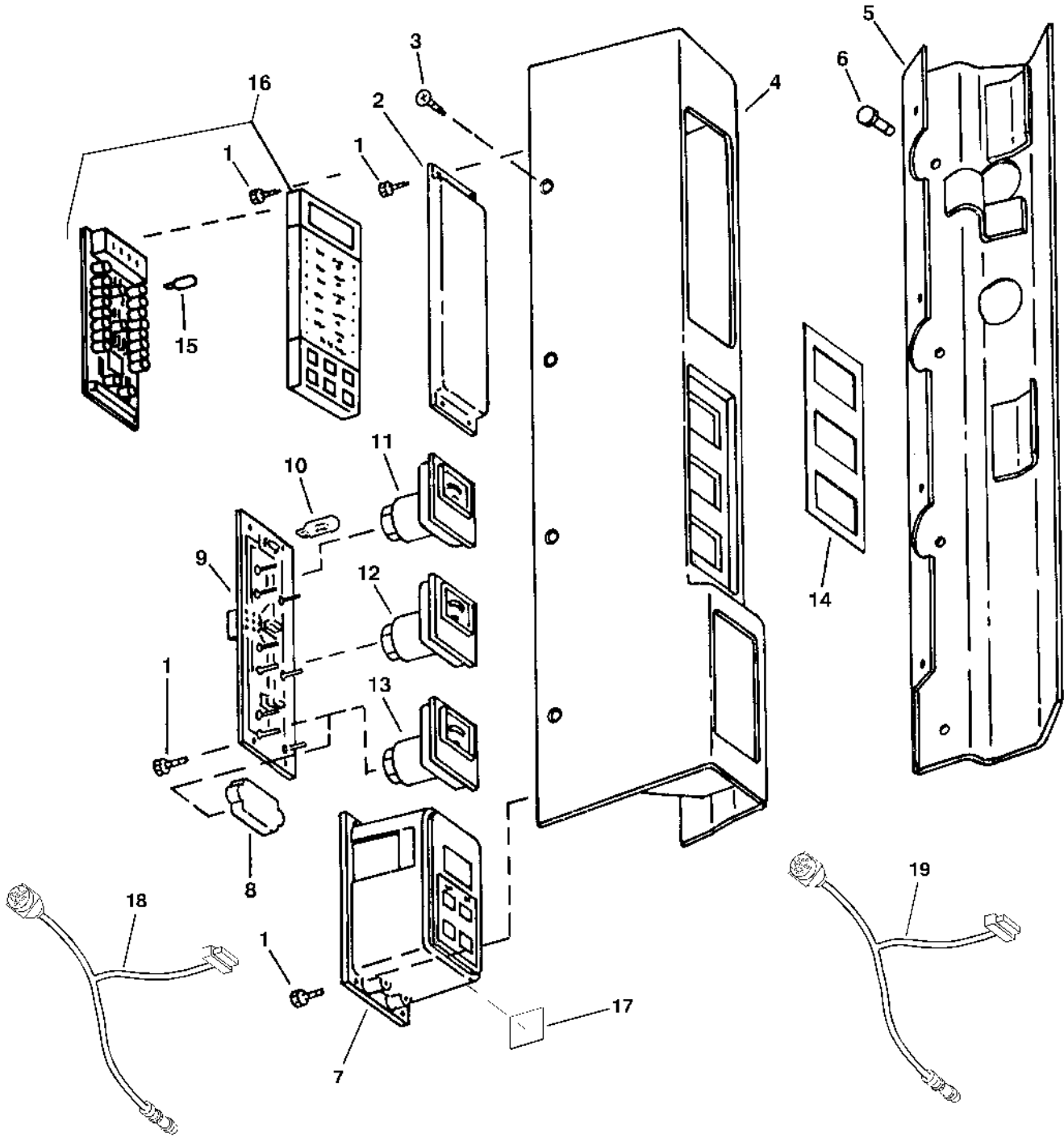


KEY	PART NO.	PART NAME	QTY	SERIAL NO.	REMARKS
1	H129553	HOUSING	1		
2	AH134522	GRILLE	6		
3	37M7160	SCREW	AR		
4	H165691	SCREW	AR	M6 X 16	
5	H91315	WASHER	AR	(SUB FOR H131591 OR H168780)	
6	H130515	AIR DUCT	1		

5C23

OPERATOR'S STATION

CAB POST INSTRUMENT PANEL
HP7510 -UN-06MAY98



HP7510

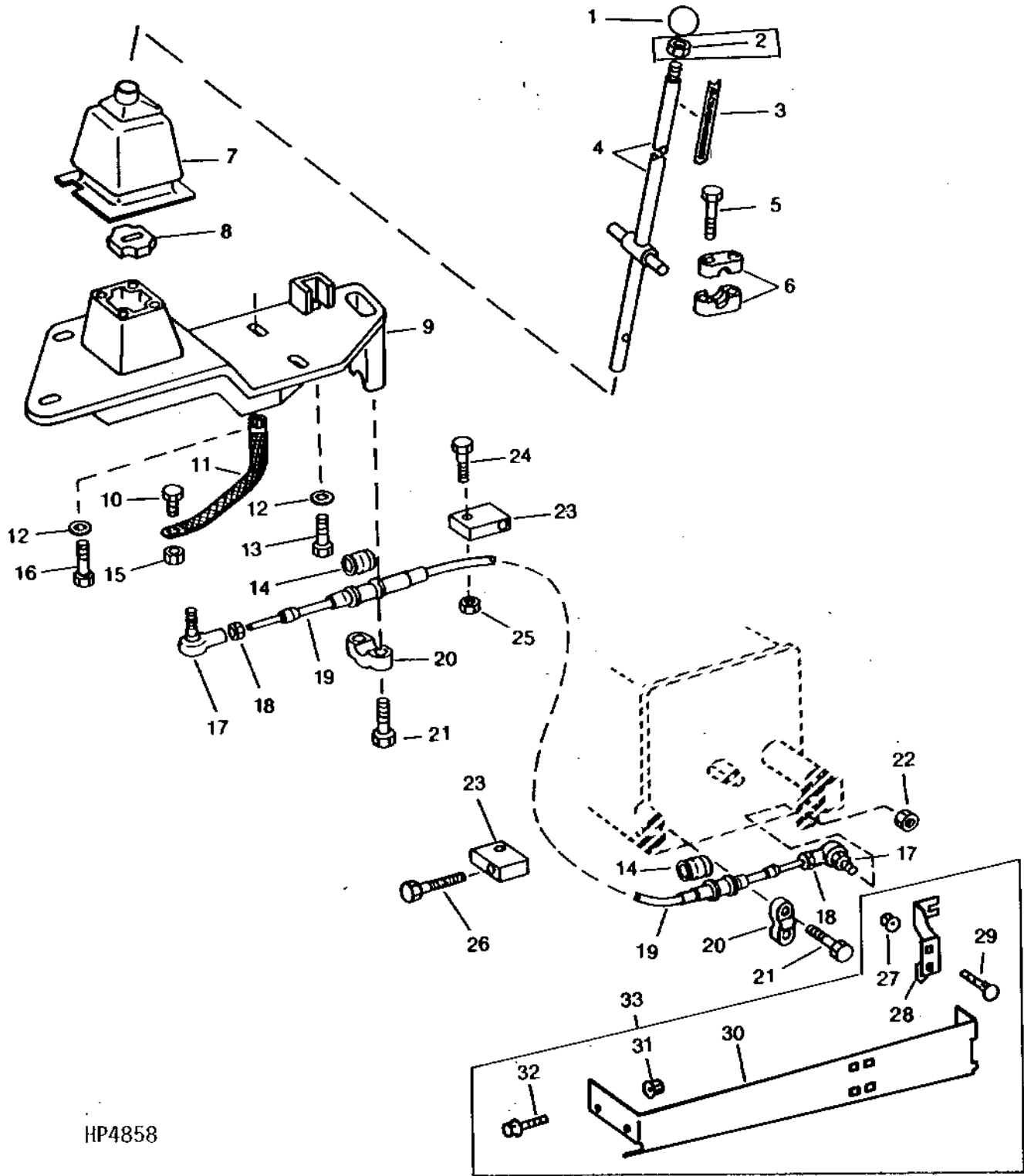
CAB POST INSTRUMENT PANEL - CONTINUED

KEY	PART NO.	PART NAME	QTY	SERIAL NO.	REMARKS
1	21M7268	SCREW	AR		M3 X 6
2	H130058	PANEL	1		WITHOUT DATA CENTER
3	H130195	SCREW	AR	-665355	M5 X 12
	H158579	SCREW	4	665356-	M5 X 12
4	AH140609	PANEL	1		
5	AH120570	BRACKET	1		
6	37M7089	SCREW	AR		M6 X 12
7	AH143068	KIT	1	-665272	INCLUDES TACHOMETER, LABEL AND INSTRUCTIONS (SUB AH159984)
	AH147555	KIT	1	-15DEC7	
	AH159984	KIT	1	15DEC7-	(INCLUDES AH159349 DUAL TACHOMETER, AH144684 LAEB KIT, RE151221 HARNESS AND INSTRUCTIONS)
8	H129686	COVER	1		NOT USED WITH HARVESTRAK
9	AH141984	CIRCUIT BOARD	1		
10	AA27536	BULB	3		
11	AH120444	GAUGE	1		FUEL
12	AH139129	TEMPERATURE GAUGE	1		
13	AH120445	GAUGE	1		HARVESTRAK
14	H145417	DECAL	1		GAUGE GRAPHICS DECAL
15	AH108380	BULB	20		
16	AH145565	KIT	1	660101-660512	(SUB AH142057) COMBINE DATA CENTER, INCLUDES LABELS AND INSTRUCTIONS
	AH142057	KIT	1		(SUB AH148192) COMBINE DATA CENTER INCLUDES MONITOR PLUS ALL LABELS AND INSTRUCTIONS
	AH148192	KIT	1	29SEP7-	COMBINE DATA CENTER, INCLUDES AH148191 MONITOR, LABELS AND INSTRUCTIONS
17	R133617	LABEL	1	29SEP7-	
18	AH155577	WIRING HARNESS	1	29SEP7-	
19	AH155928	WIRING HARNESS	1	3NOV97-	
..	BH71887	COMPLETE GOODS/SHIP. BUNDLE	1		HARVESTRAK
..	BH81356	COMPLETE GOODS/SHIP. BUNDLE	1		DIGITAL CONCAVE INDICATOR

5D1

OPERATOR'S STATION

GEARSHIFT LEVER AND LINKAGE
HP4858 -UN-01JAN94



HP4858

5D2

OPERATOR'S STATION

GEARSHIFT LEVER AND LINKAGE - CONTINUED

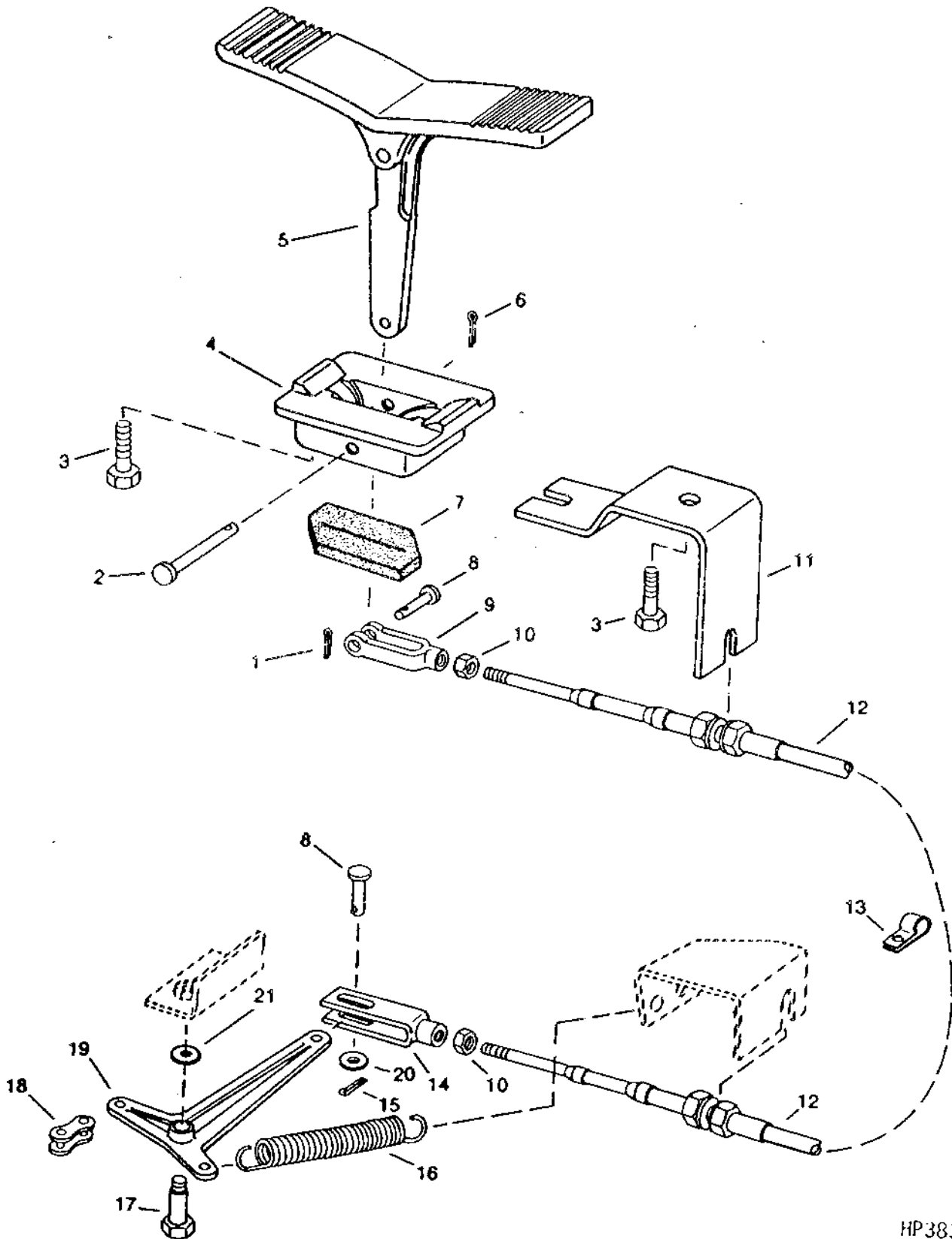
KEY	PART NO.	PART NAME	QTY	SERIAL NO.	REMARKS
1	H125518	KNOB	1		USE TY9373 OR TY9478 OR TY9371 TO SECURE
2	14M7433	NUT	1	-635101	M10
3	H134767	LABEL	1	-660100	(SUB H149068)
	H149068	LABEL	1	-6MAY96	"BRAKE"
4	AH135323	SHIFTER ROD	1	-635797	INCLUDES DECAL ON ROD, (SUB AH138707)
	AH138707	ROD	1		
5	19M8318	SCREW	4		M8 X 45
6	H131040	BEARING	4		
7	H131041	BOOT	1		
8	H133660	SEAL	1		
9	H133636	HOUSING	1		
10	19M7788	SCREW	1	-645401	M12 X 25
	19M7790	SCREW	1	645402-	M12 X 35
11	AH125010	GROUND CABLE	1		
12	24H1296	WASHER	5		11/32" X 1-3/8" X 0.134"
13	19M8319	SCREW	1		M8 X 50
14	H133662	ISOLATOR	2		
15	14M7299	FLANGE NUT	1		M12
16	19M7867	SCREW	4		M8 X 25
17	AH125958	BALL JOINT	2		
18	14M7274	NUT	2		M10
19	AH128357	CABLE	1		
20	H133047	CLAMP	2		
21	19M8291	SCREW	4		M8 X 35
22	14M7296	FLANGE NUT	1		M10
23	H112162	CLAMP	4	-640505	
	AH77724	CLIP	3	640506-	
24	19M7799	SCREW	1	-640505	
	19M7867	SCREW	1	640506-	
25	14M7298	FLANGE NUT	1		
26	37M7149	SCREW	3	-640505	
	37M7058	SCREW	3	640506-	
27	14M7400	LOCK NUT	2		
28	BRACKET	1		INC. IN AH138329 KIT
29	03M7190	BOLT	2		
30	GUARD	1		INC. IN AH138329 KIT
31	14M7401	LOCK NUT	1		
32	19M7788	SCREW	1		INC. IN AH138328 KIT
33	AH138329	KIT	1	635699-	
..	TY9370	ADHESIVE	1		6 OZ. MEDIUM STRENGTH (CANADA NUMBER TY9477)
..	TY9373	GASKET	1		
..	TY9478	ADHESIVE	1		
..	TY9371	ADHESIVE	1		6 ML HIGH STRENGTH

5D3

OPERATOR'S STATION

FEEDER HOUSE REVERSER FOOT CONTROL

HP3833 -UN-01JAN94



HP3833

5D4

OPERATOR'S STATION

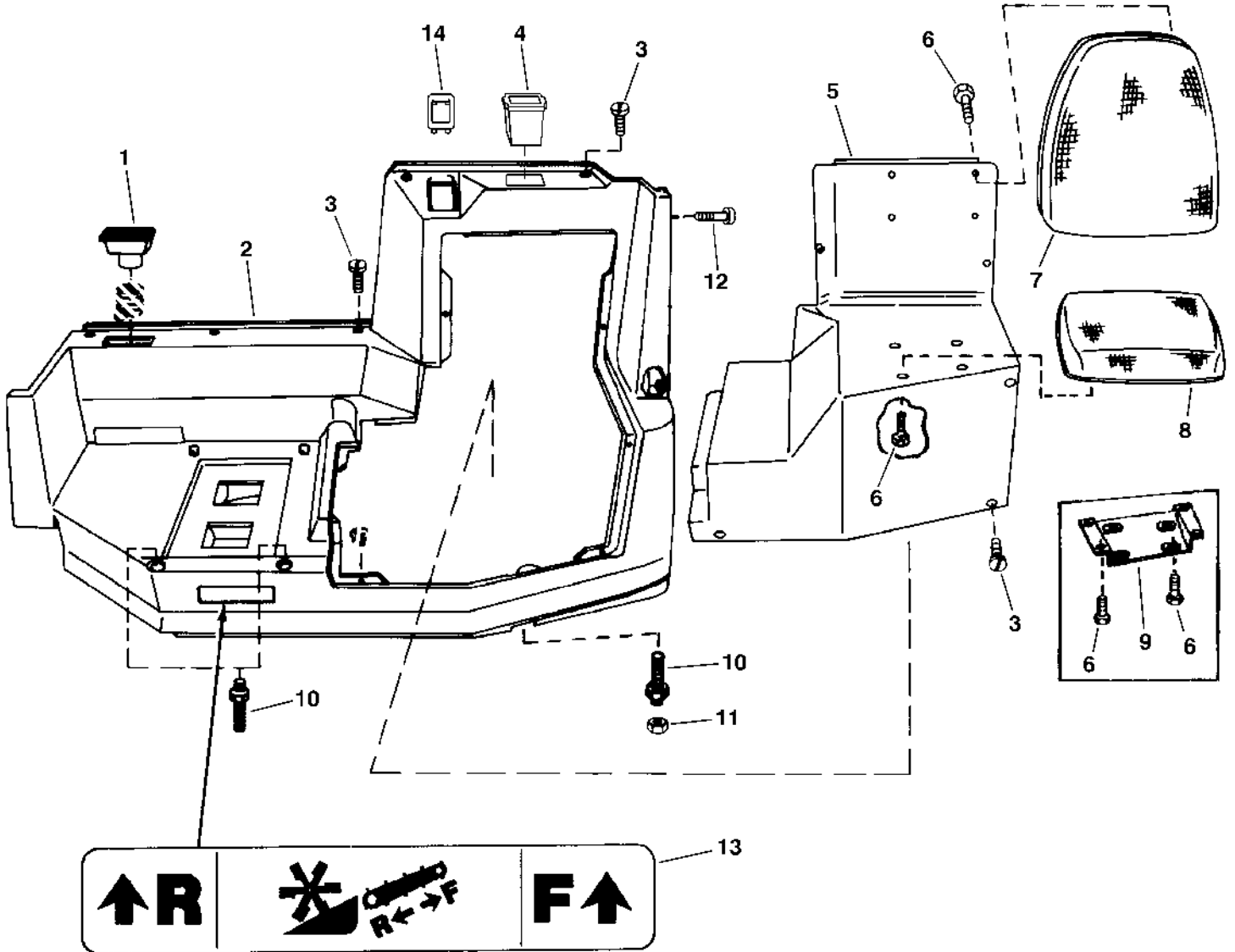
FEEDER HOUSE REVERSER FOOT CONTROL - CONTINUED

KEY	PART NO.	PART NAME	QTY	SERIAL NO.	REMARKS
1	11M7082	COTTER PIN	1		
2	R65569	PIN	1		2.500 X 25 MM
3	19M7866	SCREW	4		M8 X 20
4	H134489	BEZEL	1		
5	H134488	PEDAL	1		
6	11M7081	COTTER PIN	1		2.500 X 20 MM
7	H133210	SEAL	1		
8	T16193	PIN	1		6.248 X 29.362 MM (0.246" X 1-5/32")
9	H130646	YOKE	1		
10	14M7273	NUT	2		
11	H133208	SUPPORT	1		
12	AH128452	PUSH PULL CABLE	1		
13	R73384	CLAMP	1		
14	AH127383	YOKE	1		
15	11M7082	COTTER PIN	1		2.500 X 25 MM
16	H84948	SPRING	1		
17	H127749	BOLT	1		
18	AE23791	CHAIN LINK	1		
19	H127747	BELLCRANK	1	-670100	(SUB H140836) BELLCRANK HAS TWO CONNECTING HOLES
	H140836	BELLCRANK	1		
20	24M7054	WASHER	1		6.400 X 12 X 1.600 MM
21	24M7047	WASHER	1		13 X 24 X 2.500 MM

5D5

OPERATOR'S STATION

SEAT SHROUDS AND PASSENGER SEAT
HP7237 -UN-04DEC97



HP7237

5D6

OPERATOR'S STATION

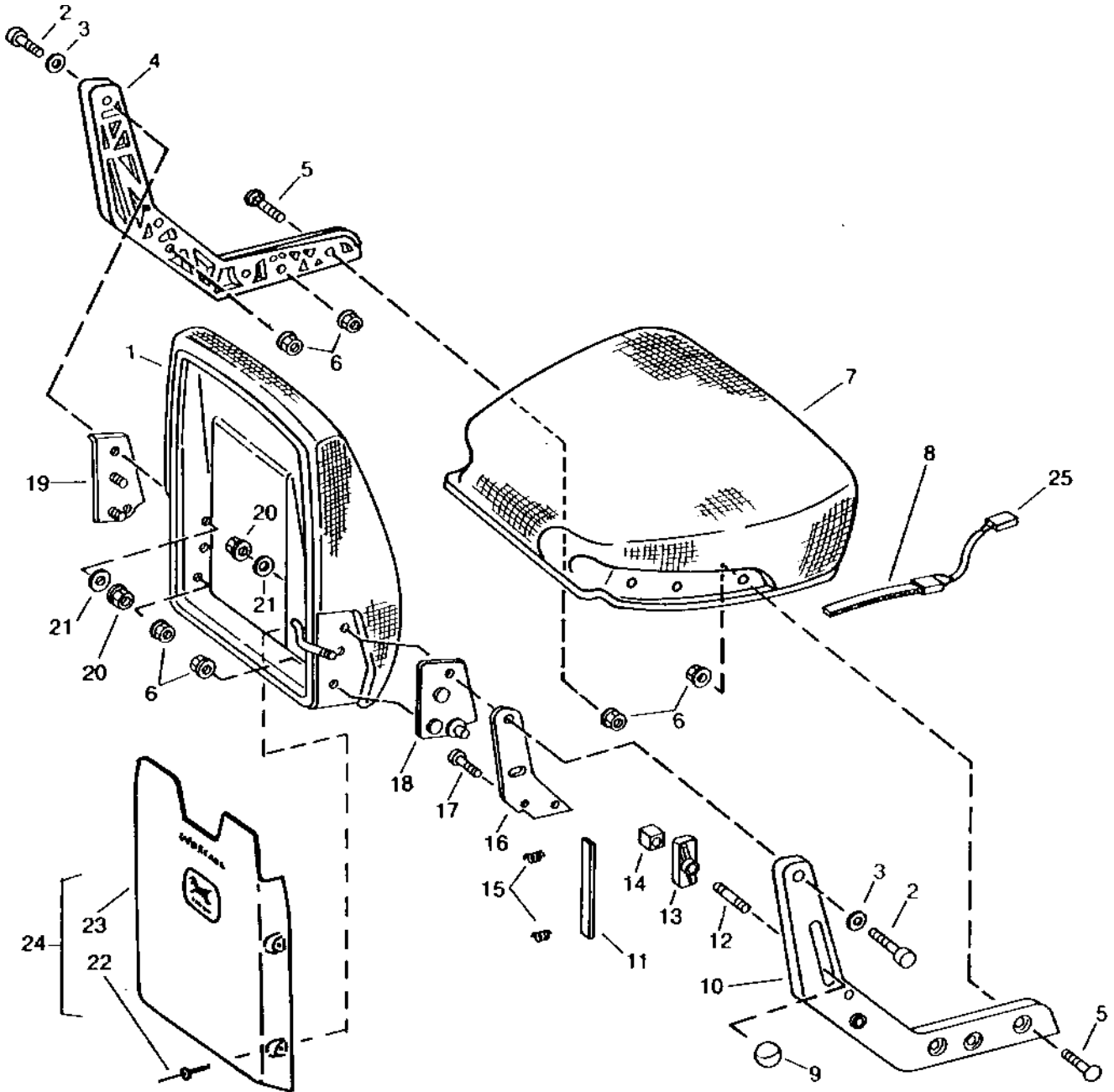
SEAT SHROUDS AND PASSENGER SEAT - CONTINUED

KEY	PART NO.	PART NAME	QTY	SERIAL NO.	REMARKS
1	AH134724	BOX	1		
2	AH131403	CONSOLE	1		(SUB AH145673)
	AH145673	CONSOLE	1	660101-665414	
	AH147537	CONSOLE	1	665415-4AUG97	(SUB AH148959)
	AH148959	ASSEMBLY LINE PARTS	1	-4AUG97	
	AH161929	CONSOLE	1	28SEP8-	
3	H165691	SCREW	10		(SUB FOR H131591 OR H168780)
4	H116359	PAN	1	-29SEP7	
	H162048	CONTAINER	1	29SEP7-28SEP8	
	H168436	PAN	1	28SEP8-	
5	H125459	COVER	1	-665414	
6	19M8331	CAP SCREW	12	-640100	M8 X 20
	19M8331	CAP SCREW	8	640101-	
7	AH108389	SEAT	1	-665299	
	AH154065	SEAT	1	665300-	
8	AH108388	SEAT	1	-636099	
	AH138111	SEAT	1	636100-	
9	AH125541	BRACKET	1	-640100	
10	H123740	STUD	6	-665364	
	H150455	STUD	6		
11	14M7296	FLANGE NUT	4		M10
12	H132451	CAP SCREW	3		
13	H137823	PANEL	1		FEEDER HOUSE REVERSER DECAL - FORWARD, REVERSE
14	H161091	BEZEL	1	4AUG97-	
..	AH138666	KIT	1		INCLUDES AH138111 AND INSTRUCTIONS FOR INSTALLATION ON PRE- 1991 MACHINES
..	BH78343	COMPLETE GOODS/SHIP. BUNDLE	1		PASSENGER SEAT

5D7

OPERATOR'S STATION

OPERATOR'S SEAT AND BACKREST
HP3132 -UN-01JAN94



HP3132

5D8

OPERATOR'S STATION

OPERATOR'S SEAT AND BACKREST - CONTINUED

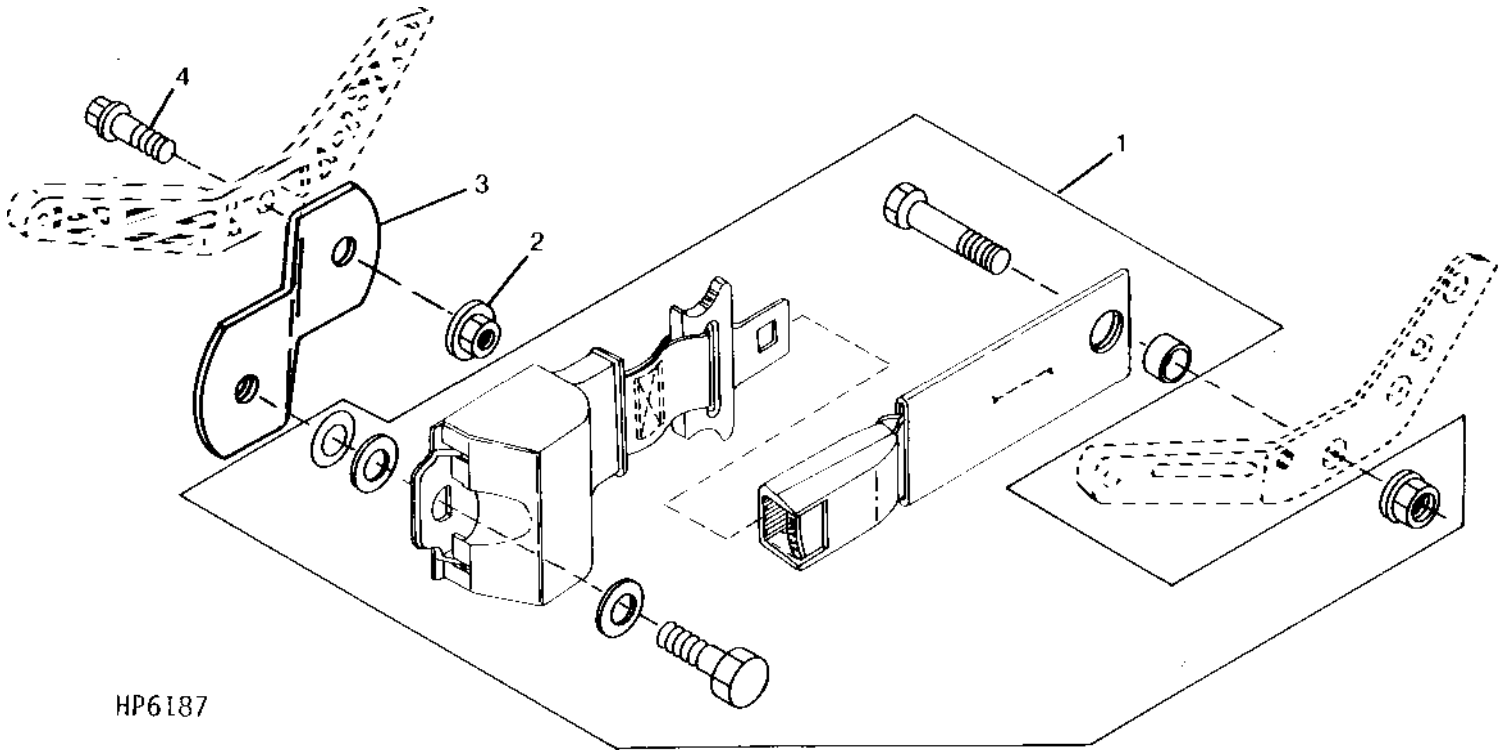
KEY	PART NO.	PART NAME	QTY	SERIAL NO.	REMARKS
1	AR71107	CUSHION	1		
2	R59019	SCREW	2		
3	T519T	WASHER	2		
4	R89143	SUPPORT	1		
5	R59015	GANG BOLT	4		
6	N10215	LOCK NUT	8		
7	AN192773	CUSHION	1	-660100	
	AH145065	SEAT	1	660101-	
8	AH127662	SWITCH	1		
9	R60458	KNOB	1		
10	R89142	SUPPORT	1		
11	R59009	REINFORCEMENT	1		
12	R59012	WELD STUD	1		
13	R59010	ADJUSTER	1	-635100	(SUB R105581)
	R105581	ADJUSTER	1		
14	R59018	BUSHING	1		
15	R31890	SPRING	2		
16	R59011	PLATE	1		
17	37H120	SCREW	1		0.164" X 1/2"
18	AR71108	PLATE	1		
19	AR71109	PLATE	1		
20	H99923	LOCK NUT	2		
21	R53665	WASHER	2		
22	RIVET	1		IN RE13541 KIT
23	HOLDER	1		IN RE13541 KIT
24	RE13541	KIT	1		
25	R78053	PIN CONTACT CONNECTOR BODY	1		(PKG OF 3)
	R78063	TERMINAL NIPPLE	1		(PKG OF 40)
	R78058	PIN CONTACT	1		(PKG OF 40)
..	RE12049	CUSHION	1		INCLUDES MANUAL HOLDER

5D9

OPERATOR'S STATION

OPERATOR'S SEAT SEATBELT

(665101-)
HP6187 -UN-18OCT95



HP6187

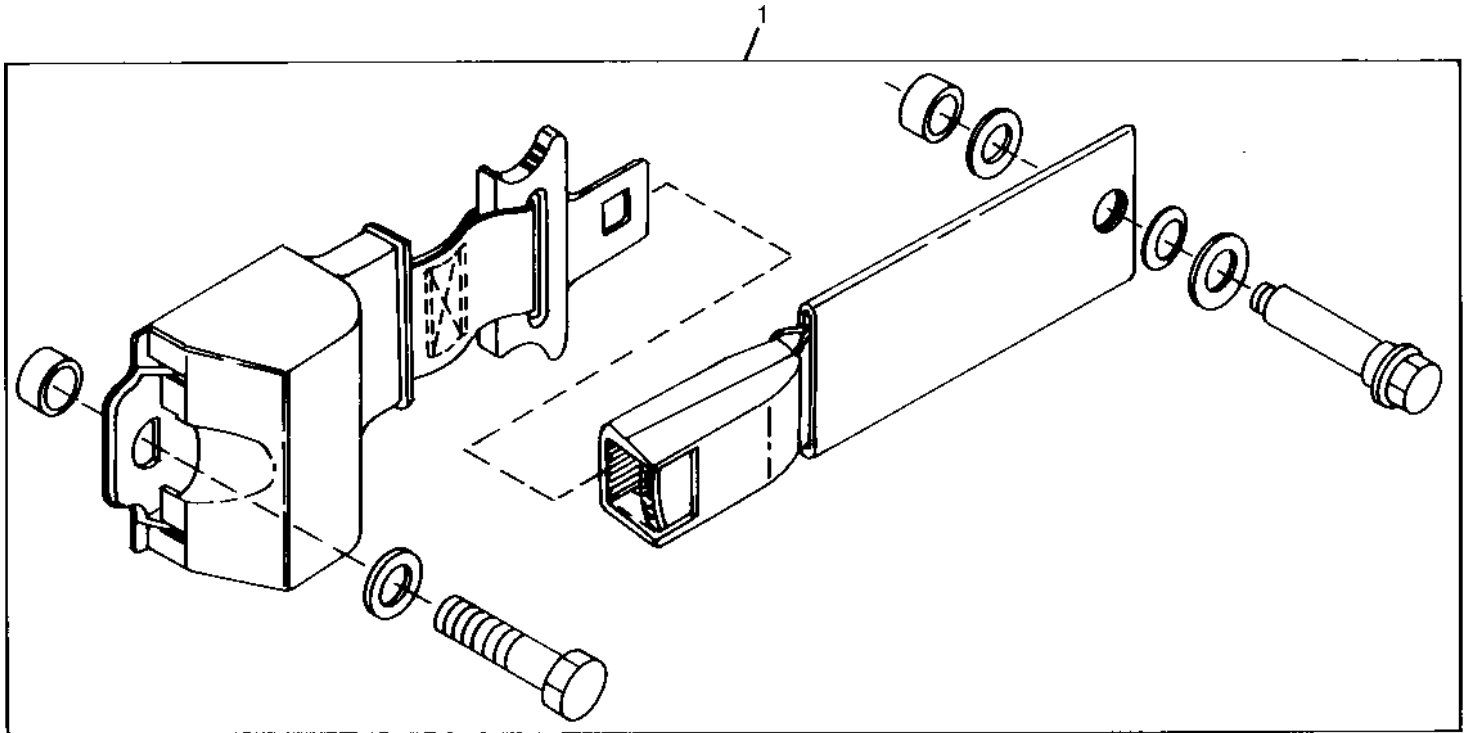
KEY	PART NO.	PART NAME	QTY	SERIAL NO.	REMARKS
1	AH146742	SEAT BELT	1		
2	14M7400	LOCK NUT	1	M10	
3	AH147030	BRACKET	1	(MOUNTING)	
4	19M7835	SCREW	1	M10 X 35	
..	BH81159	COMPLETE GOODS/SHIP. BUNDLE	1	RETROFIT SEAT BELT KIT FOR ALL MACHINES PRIOR TO 1996 MODEL YEAR	

5D10

OPERATOR'S STATION

TRAINING SEAT SEATBELT

(665101-)
 HP6188 -UN-03OCT95



HP6188

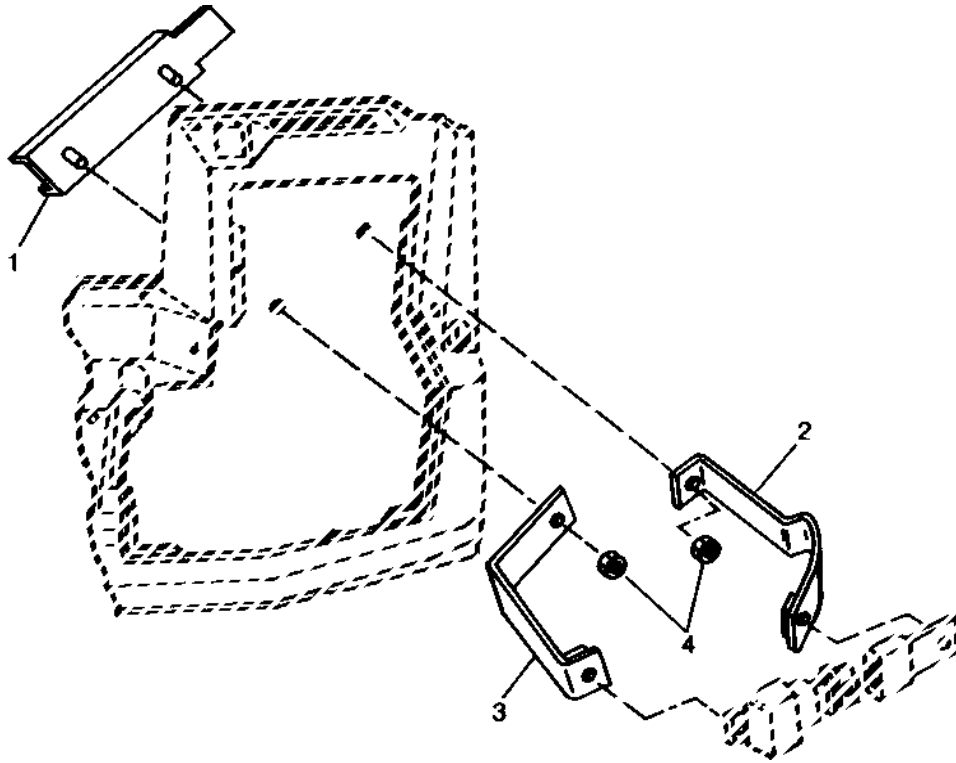
KEY	PART NO.	PART NAME	QTY	SERIAL NO.	REMARKS
1	AH147153	SEAT BELT	1		
..	BH81159	COMPLETE GOODS/SHIP. BUNDLE	1		RETROFIT SEAT BELT KIT FOR ALL MACHINES PRIOR TO 1996 MODEL YEAR

5D11

OPERATOR'S STATION

RETROFIT SEAT BELT KIT (FOR ALL MACHINES PRIOR TO 1996 MODEL YEAR)

HP6265 -UN-23JAN96



HP6265

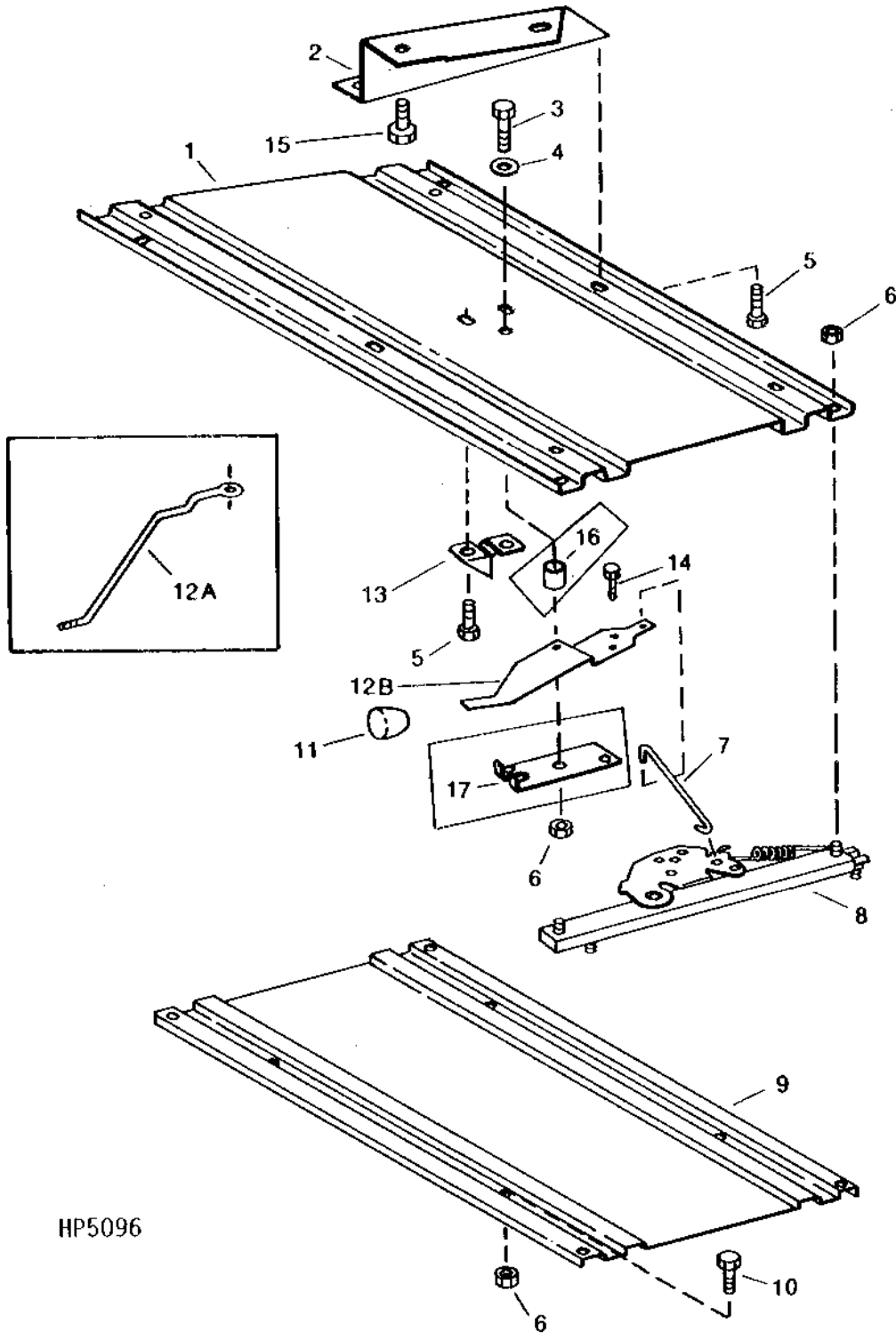
KEY	PART NO.	PART NAME	QTY	SERIAL NO.	REMARKS
1	AH148225	BRACKET	1		
2	AH148227	BRACKET	1	L.H.	
3	AH148226	BRACKET	1	R.H.	
4	14M7296	FLANGE NUT	2	M10	

MEMORANDA

5D12

OPERATOR'S STATION

SEAT ADJUST FORE-AND-AFT
HP5096 -UN-01JAN94



HP5096

5D13

OPERATOR'S STATION

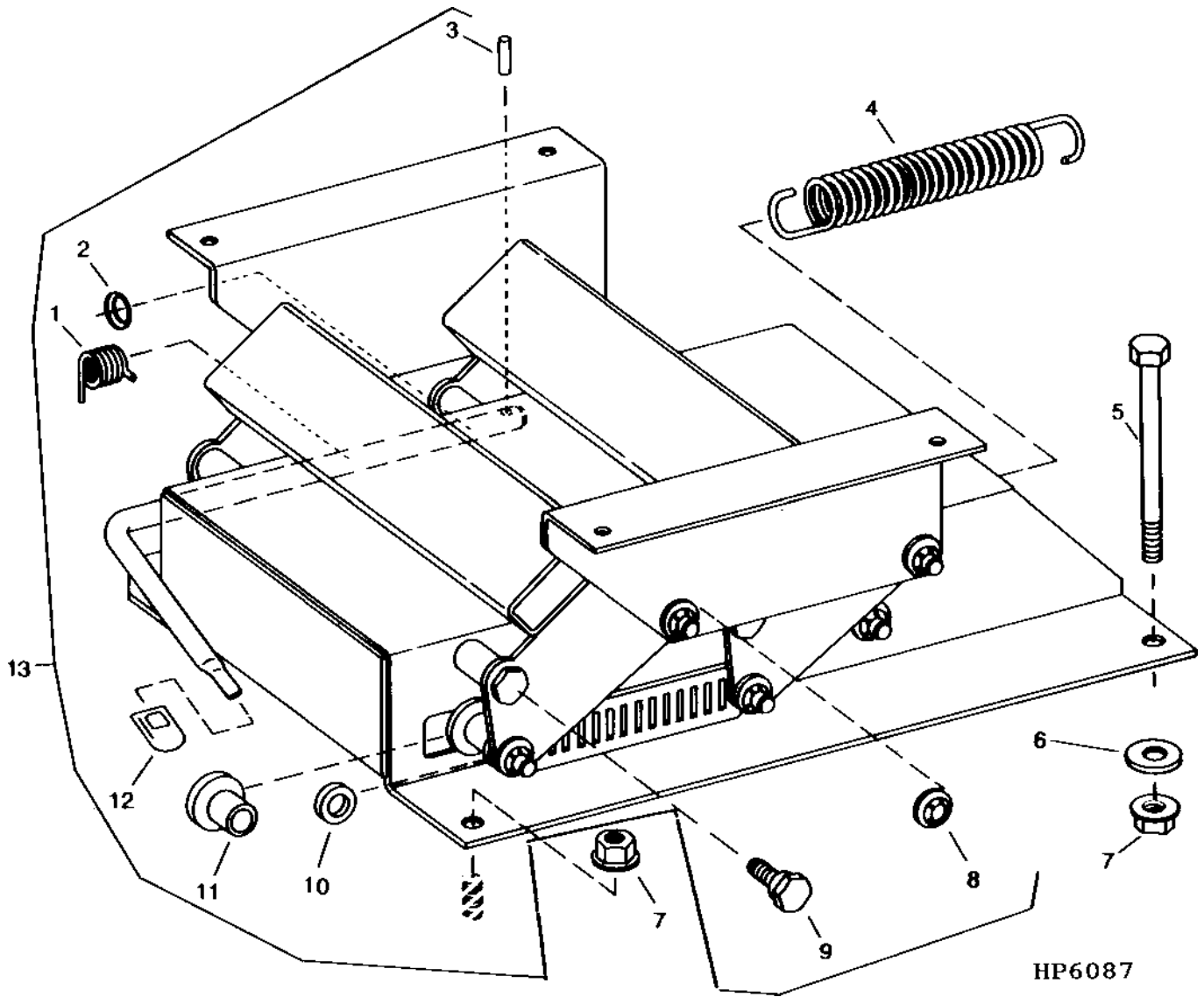
SEAT ADJUST FORE AND AFT - CONTINUED

KEY	PART NO.	PART NAME	QTY	SERIAL NO.	REMARKS
1	AH116313	PLATE	1		
2	AH110674	BRACKET	2		
3	19M7868	SCREW	1		M8 X 30
4	24H1296	WASHER	1		11/32" X 1-3/8" X 0.134"
5	19M7866	SCREW	6		M8 X 20
6	14M7424	FLANGE NUT	13	-645389	M8, (SUB 14M7298)
	14M7298	FLANGE NUT	13		
7	H127772	FITTING	2	-635201	
	H96391	PIN	1	635202-	
8	AH122648	ADJUSTER	2		
9	H115987	PLATE	1		
10	19M8331	CAP SCREW	4		M8 X 20
11	H83055	KNOB	1		
12A	H127773	LEVER	1	-635240	
12B	H141289	LEVER	1	635241-	
13	H130166	BUMPER	1	-635797	(SUB H144274)
	H144274	BUMPER	1		
14	37M7089	SCREW	3	635798-	M6 X 12
15	19H1900	CAP SCREW	4		
16	H118153	BUSHING	1	-635201	
17	H115988	BRACKET	1	-637128	

5D14

OPERATOR'S STATION

CAB SEAT HEIGHT ADJUSTER (VERTICAL CONTROL)
HP6087 -UN-07JUN95



5D15

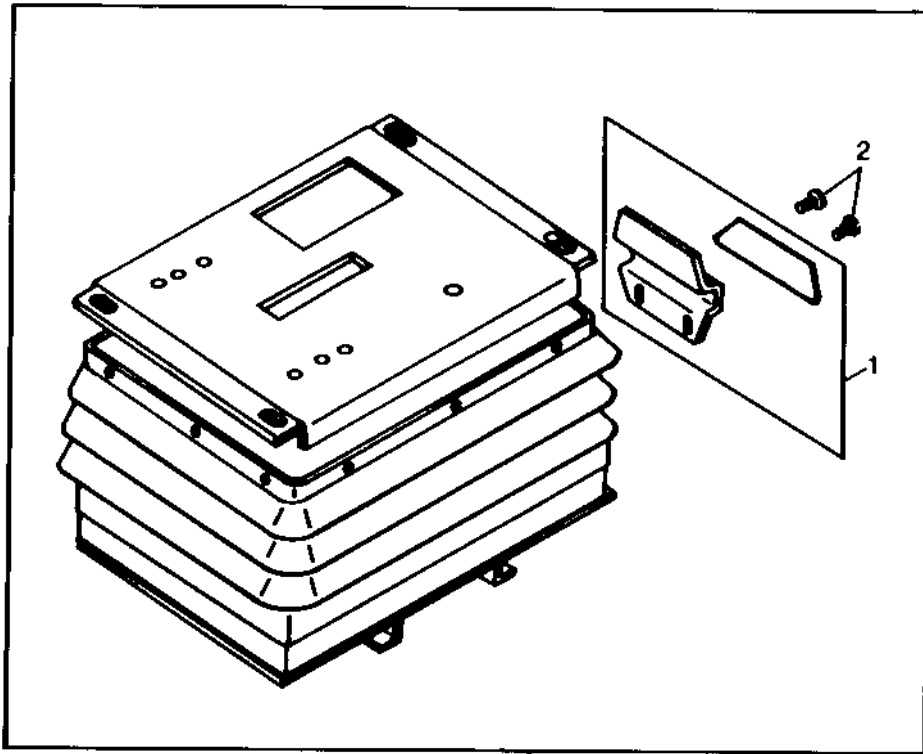
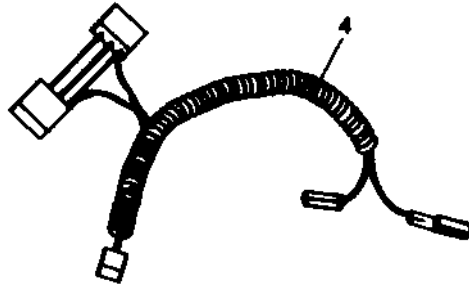
OPERATOR'S STATION

CAB SEAT HEIGHT ADJUSTER (VERTICAL CONTROL) - CONTINUED

KEY	PART NO.	PART NAME	QTY	SERIAL NO.	REMARKS
1	T62828	SPRING	1		
2	P48925	SHIM	AR		
3	34H262	SPRING PIN	1		
4	H137417	LEAF SPRING	2		
5	H132452	CAP SCREW	2	-27MAY7	M10 X 200
6	24M7178	WASHER	2		10.500 X 30 X 2.500 MM
7	14M7296	FLANGE NUT	4		M10
8	E58183	NUT	AR		12.700 MM
9	H137418	BOLT	4		12.700 X 24.800 MM
10	H137421	WASHER	2		
11	H137420	HALF SLEEVE	2		
12	T55201	GRIP	1		
13	AH113301	ADJUSTER	1		
..	AH156332	SEAT	2	-27MAY7	
..	14M7298	FLANGE NUT	4	-27MAY7	M8
..	AH156727	KIT	1	-27MAY7	

5D16

AIR SEAT SUSPENSION
(660101-)
HP5882 -UN-18OCT94



HP5882

5D17

OPERATOR'S STATION

AIR SEAT SUSPENSION - CONTINUED
(660101-)

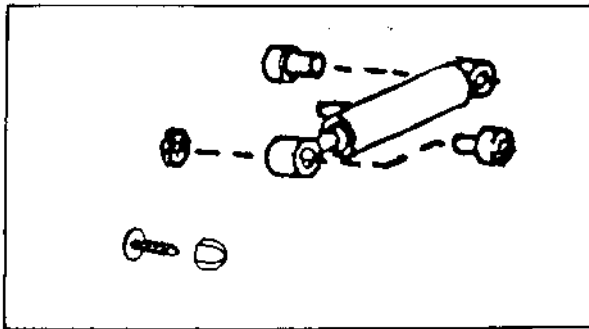
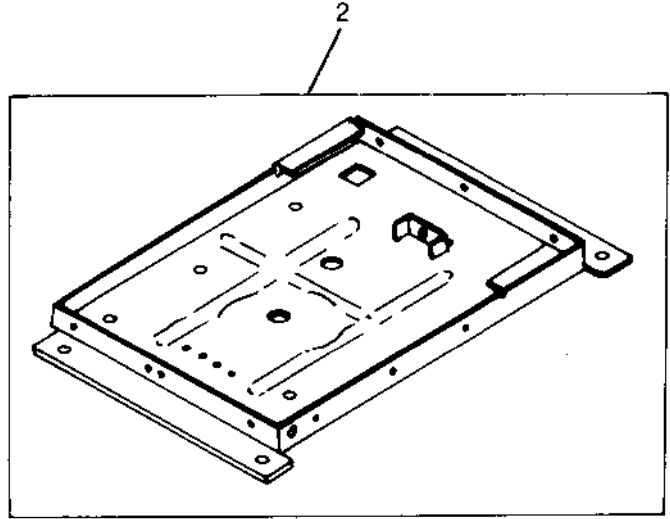
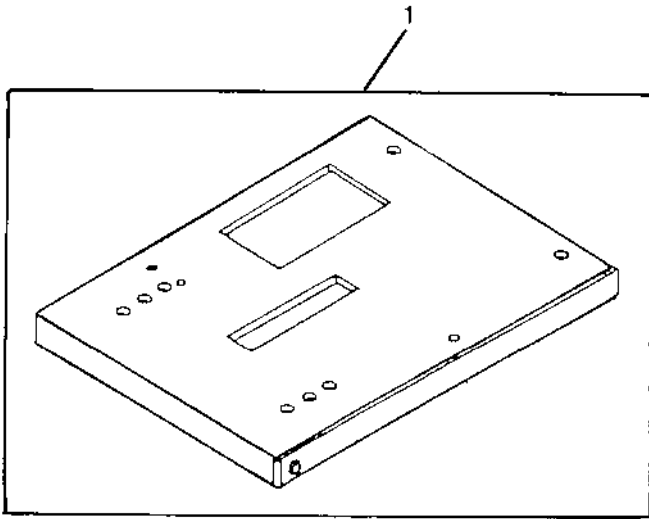
KEY	PART NO.	PART NAME	QTY	SERIAL NO.	REMARKS
1	AH144778	PANEL	1		
2	37M7089	SCREW	2		M6 X 12
3	AH140206	SEAT SUSPENSION	1	-660187	(SUB AH157491)
	AH157491	SEAT SUSPENSION	1	18AUG7-	
4	AH146032	WIRING HARNESS	1		
..	BH81076	COMPLETE GOODS/SHIP. BUNDLE	1		AIR RIDE SEAT

5D18

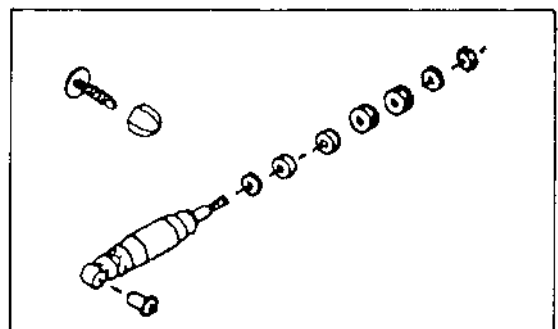
OPERATOR'S STATION

AIR SEAT SUSPENSION KITS

(665101-)
HP6191 -UN-08OCT97



HP6191



4

5D19

OPERATOR'S STATION

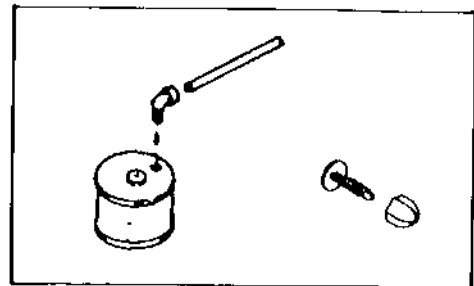
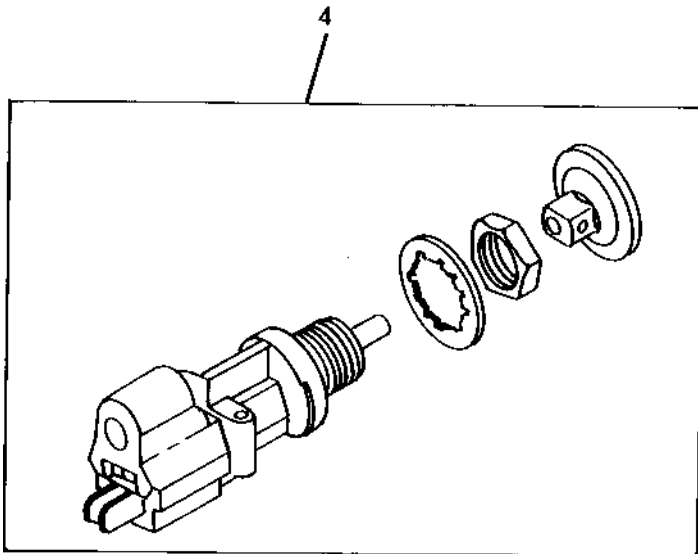
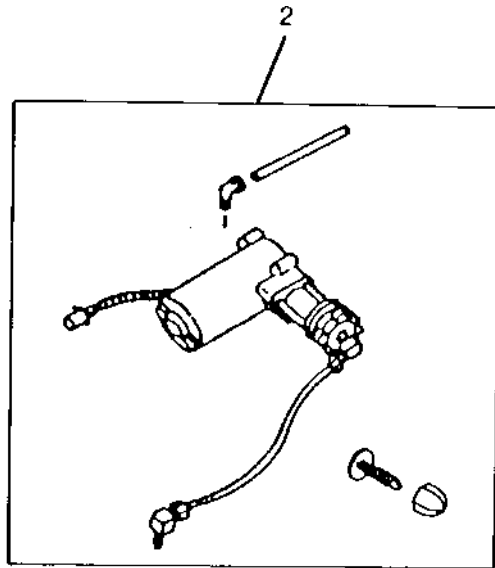
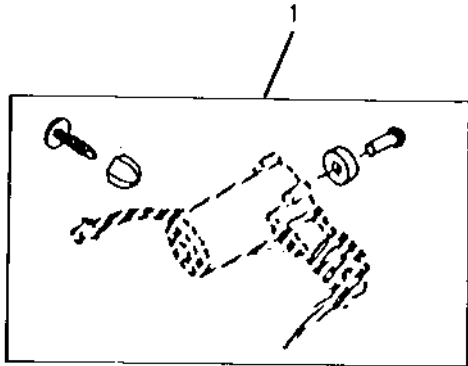
AIR SEAT SUSPENSION KITS - CONTINUED
(665101-)

KEY	PART NO.	PART NAME	QTY	SERIAL NO.	REMARKS
1	AH146234	KIT	1		UPPER HOUSING
2	AH136937	KIT	1		LOWER HOUSING
3	RE65695	SEAT SHOCK ABSORBER KIT	1		SHOCK ABSORBER
4	RE52553	SEAT SHOCK ABSORBER KIT	1		FORE/AFT

5D20

AIR SEAT SUSPENSION KITS

(665101-)
HP6192 -UN-03OCT95



HP6192

5D21

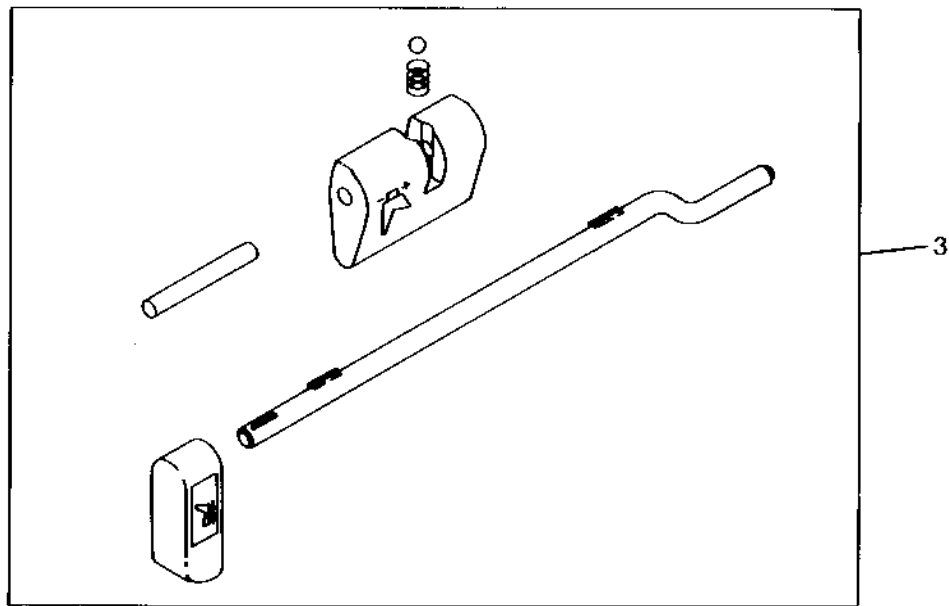
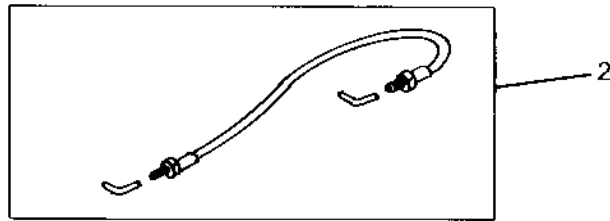
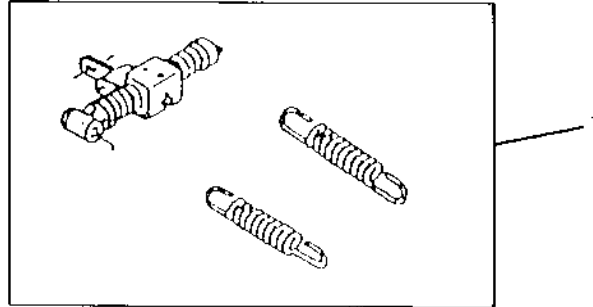
OPERATOR'S STATION

AIR SEAT SUSPENSION KITS - CONTINUED
(665101-)

KEY	PART NO.	PART NAME	QTY	SERIAL NO.	REMARKS
1	RE65693	COMPRESSOR FILTER KIT	1		
2	AH136929	KIT	1		COMPRESSOR
3	RE65694	AIR SPRING SEAT KIT	1		AIR SPRING
4	AH136930	KIT	1		HT. ADJ. SWITCH VALVE

5D22

AIR SEAT SUSPENSION KITS
(665101-)
HP6193 -UN-03OCT95



HP6193

5D23

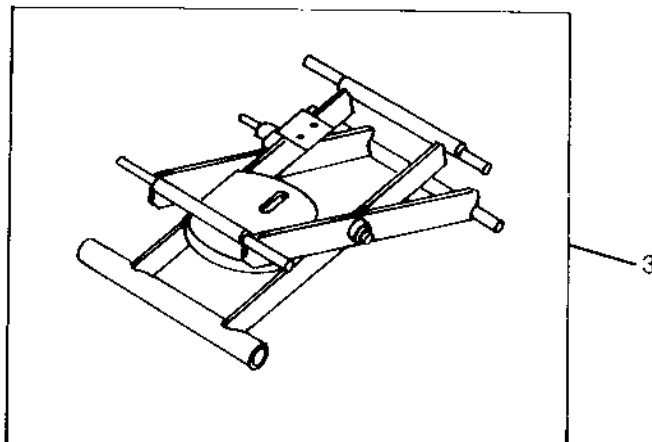
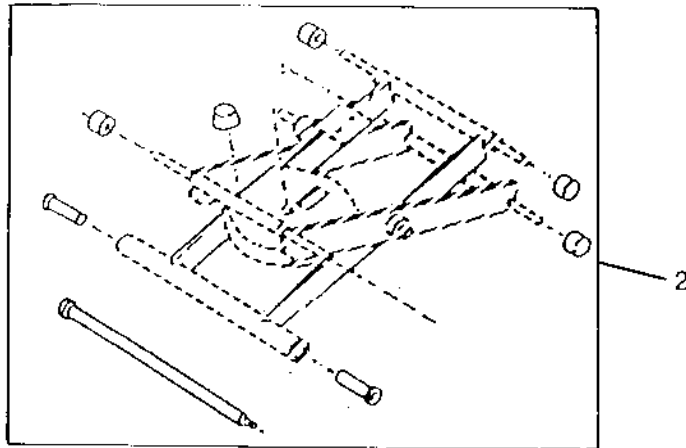
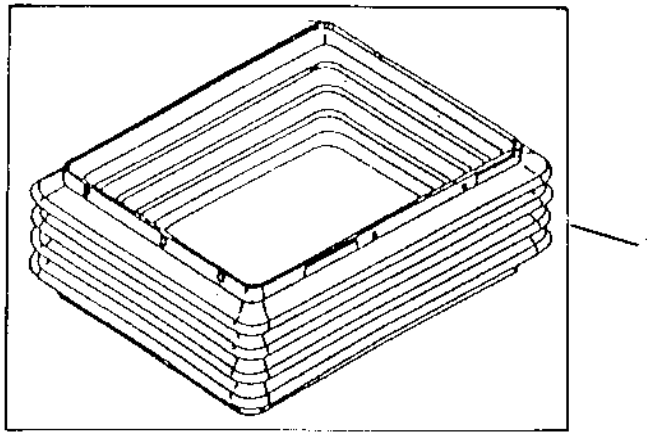
OPERATOR'S STATION

AIR SEAT SUSPENSION KITS - CONTINUED
(665101-)

KEY	PART NO.	PART NAME	QTY	SERIAL NO.	REMARKS
1	RE65696	SEAT ATTENUATOR SPRING KIT	1		(SUB AH157634)
	AH157634	KIT	1		FORE/AFT ISOLATOR
2	AH136935	KIT	1		RIDE FIRMNESS ADJ. CABLE
3	AH136934	KIT	1		(SUB AH157557) KNOB (INCLUDES 2 KNOBS)
	AH157557	KIT	1		KNOB

5D24

AIR SEAT SUSPENSION KITS
(665101-)
HP6194 -UN-03OCT95



HP6194

5D25

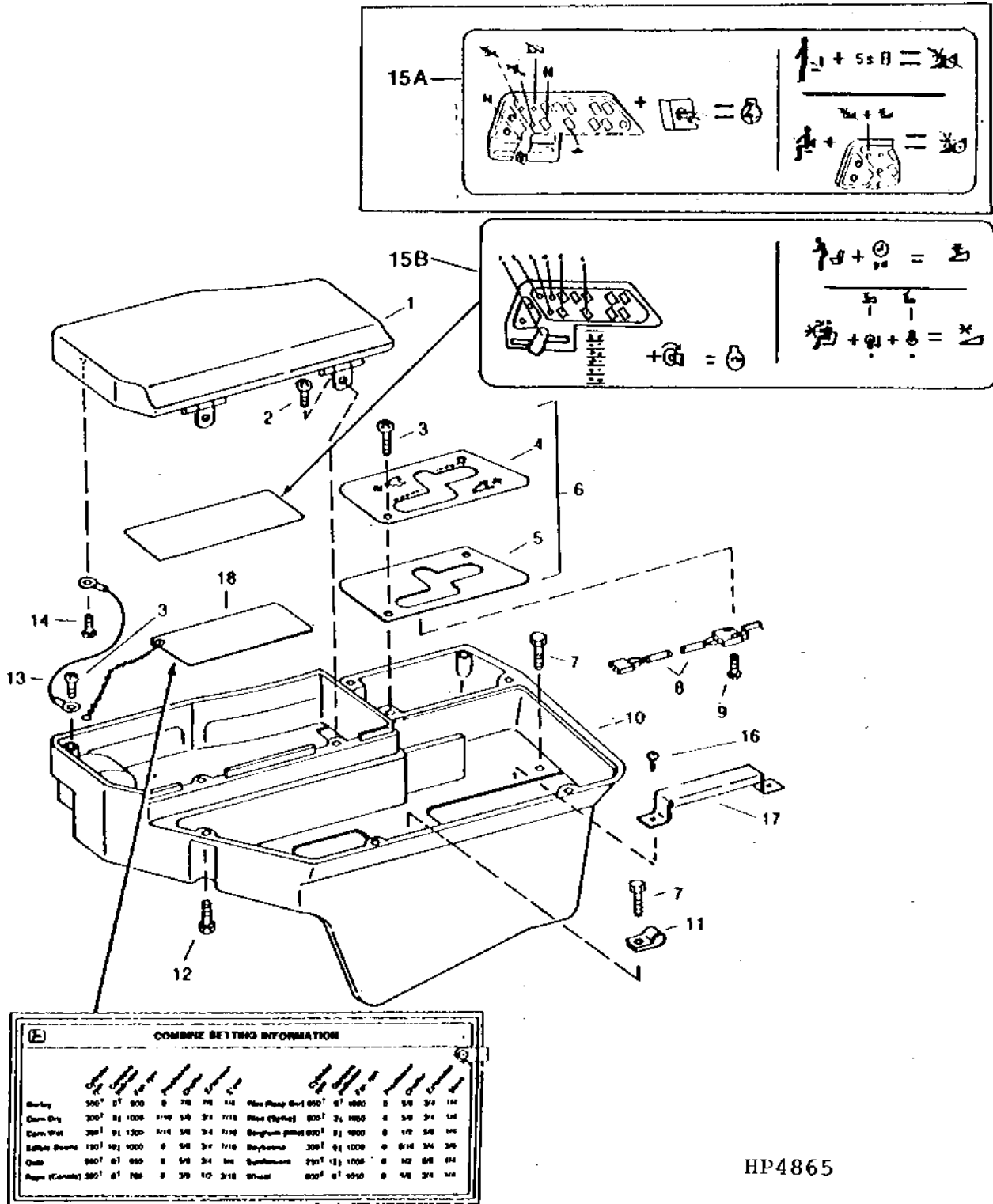
OPERATOR'S STATION

AIR SEAT SUSPENSION KITS - CONTINUED
(665101-)

KEY	PART NO.	PART NAME	QTY	SERIAL NO.	REMARKS
1	RE52555	SEAT SUSPENSION BOOT KIT	1		
2	RE63832	SEAT BEARING ROLLER KIT	1		
3	AH136936	KIT	1	SCISSOR	

5E1

ARMREST WITH GLOVE BOX (R.H.)
HP4865 -UN-01JAN94



HP4865

5E2

OPERATOR'S STATION

ARMREST WITH GLOVE BOX (R.H.) - CONTINUED

KEY	PART NO.	PART NAME	QTY	SERIAL NO.	REMARKS
1	AH117067	COVER	1		
2	H123995	SCREW	2		
3	H111706	SCREW	2		
4	H130068	PANEL	1	-640816	(SUB AH139119)
	H145082	PANEL	1		
5	GUIDE	1		
6	AH125785	GUIDE	1	-640816	(SUB AH139119)
	AH139119	DRAWER SLIDE	1		
7	37M7091	SCREW	4		M6 X 25
8	AH163708	NEUTRAL START SWITCH	1		(SUB FOR AH127390) ENGINE SAFETY START SWITCH
9	37M7066	SCREW	2		
10	H168425	CONSOLE	1		(SUB FOR H151165, H144244 AND H126470)
11	H77358	CLIP	1		
12	H111705	SCREW	4		
13	AH124857	WIRING LEAD	1		
14	37M7100	SCREW	1	-640100	
	37M7215	SCREW	1	640101-	
15A	H137402	LABEL	1	-640684	(SUB H146315) ENGINE START AND SEAT SAFETY SWITCH DECAL
15B	H146315	LABEL	1		
16	H111364	SCREW	2	-640291	M3.5 X 12 FOR MACHINES PRIOR TO 1991
17	H140396	GUARD	1	-640291	FOR MACHINES PRIOR TO 1991
18	AH131108	LABEL	1	-655100	(SUB AH144100) PLASTIC SETTINGS INFO CARD ON SMALL CHAIN
	AH144100	LABEL	1		

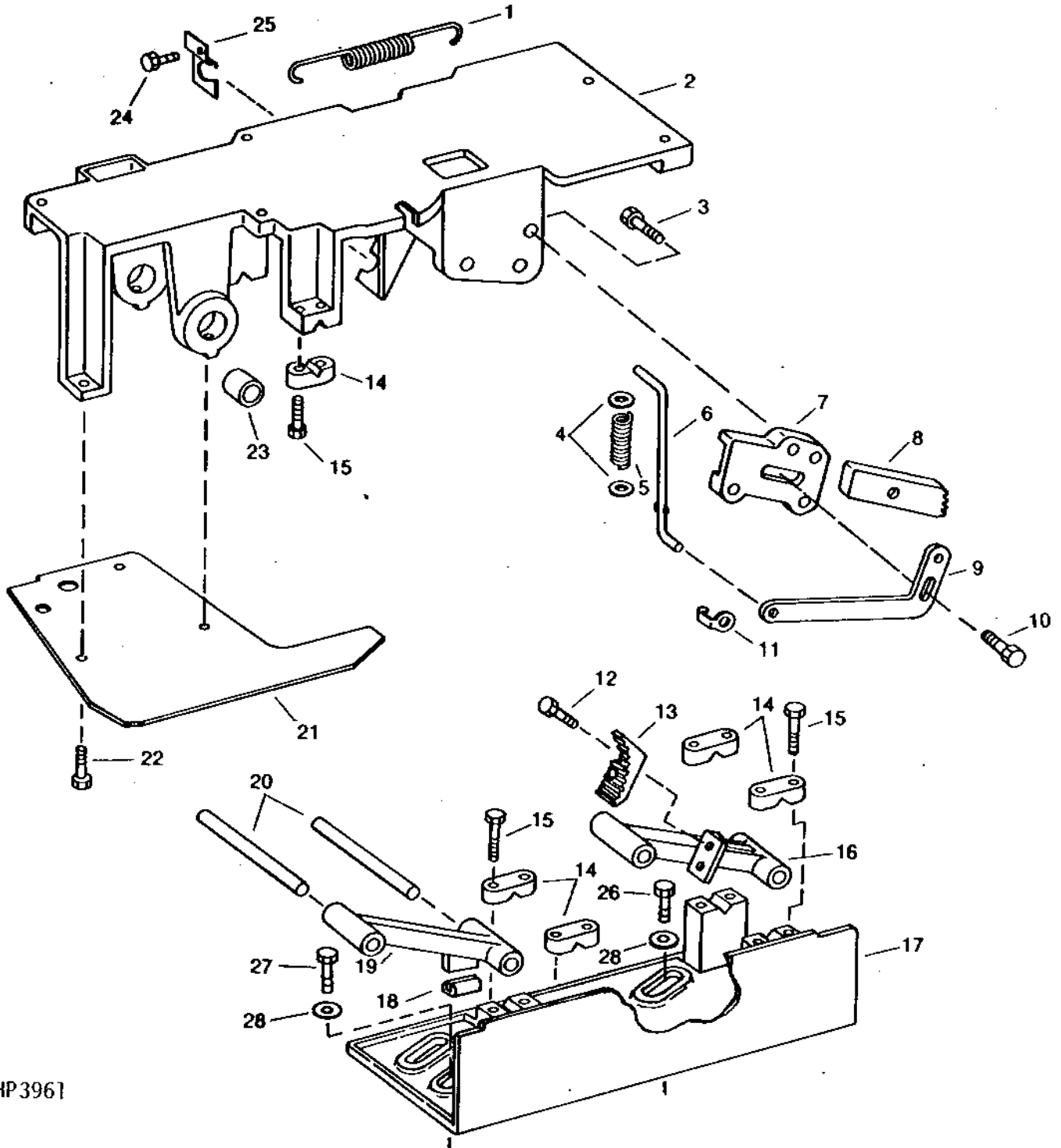
5E3

OPERATOR'S STATION

ARMREST ADJUSTING MECHANISM (R.H.)

(-640100)

HP3961 -UN-01JAN94



HP 3961

5E4

OPERATOR'S STATION

ARMREST ADJUSTING MECHANISM (R.H.) - CONTINUED

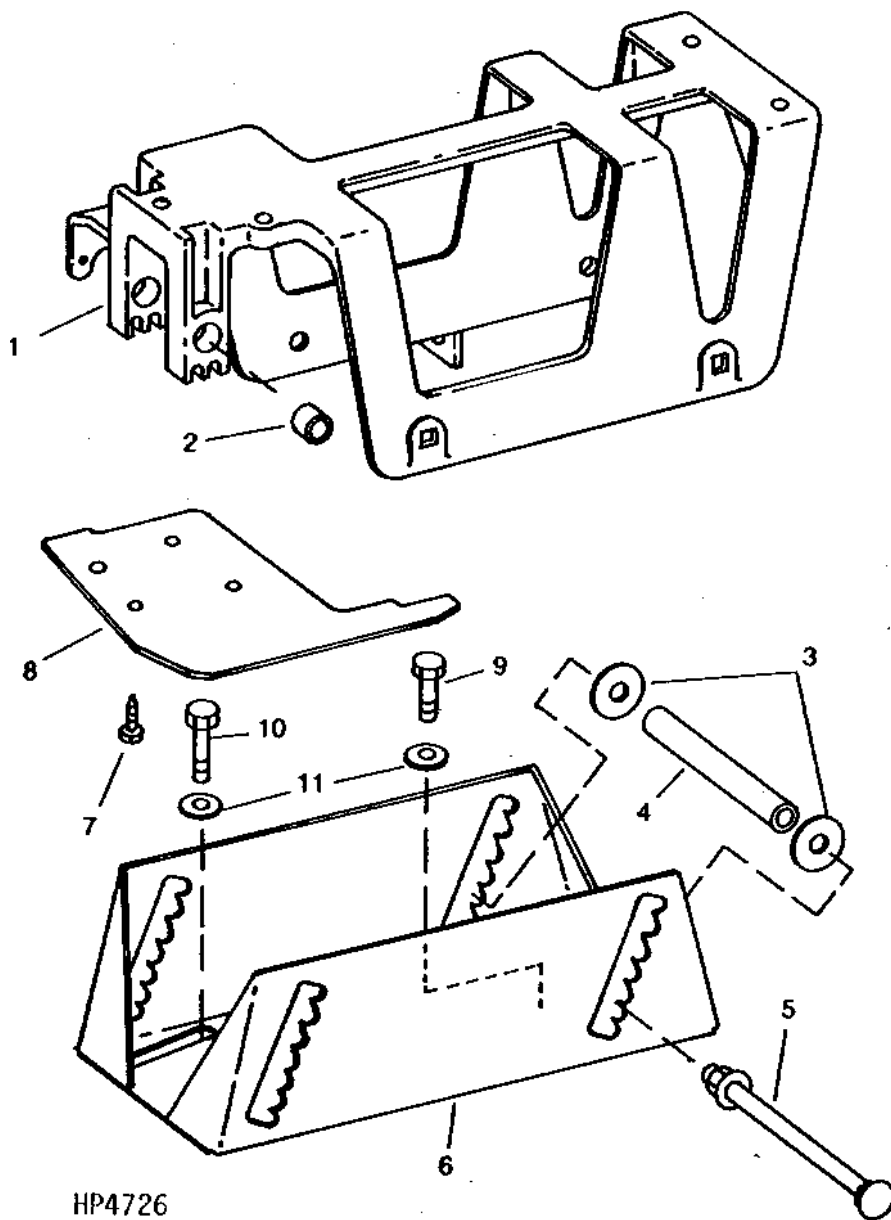
(-640100)

KEY	PART NO.	PART NAME	QTY	SERIAL NO.	REMARKS
1	H119685	SPRING	1		
2	H126172	SUPPORT	1	-631028	(SUB H141393)
	H141393	SUPPORT	1		
3	19M7866	SCREW	3		M8 X 20
4	24H1287	WASHER	2		9/32" X 5/8" X 0.065"
5	N12405	SPRING	1		
6	H126171	ROD	1		
7	H110310	HOUSING	1		
8	H141327	PAWL	1		(SUB FOR H109539)
9	H126173	ARM	1		
10	H131424	BOLT	2		
11	R26501	CLIP	1		
12	H133205	SCREW	2		
13	H110812	GEAR	1		
14	H126175	RETAINER	8		
15	37M7159	SCREW	16	-645315	M6 X 30, (SUB 37M7104)
	37M7104	SCREW	16		M6 X 30
16	H119682	ARM	1		
17	H126176	SUPPORT	1		
18	H107566	ISOLATOR	2		
19	H119684	ARM	1		
20	H126174	PIN	4		MAKE FROM H115229, 113 MM LONG
21	H119687	COVER	1		(SUB H143439)
22	37M7155	SCREW	3		(SUB 37M7165)
23	H96455	BUSHING	2		
24	37M7089	SCREW	1		M6 X 12
25	H141386	RETAINER	1		
26	19M8331	CAP SCREW	2		M8 X 20
27	19M8330	SCREW	1		M8 X 35
28	H133100	WASHER	3		

5E5

ARMREST ADJUSTING MECHANISM (R.H.)

(640101-)
HP4726 -UN-01JAN94



5E6

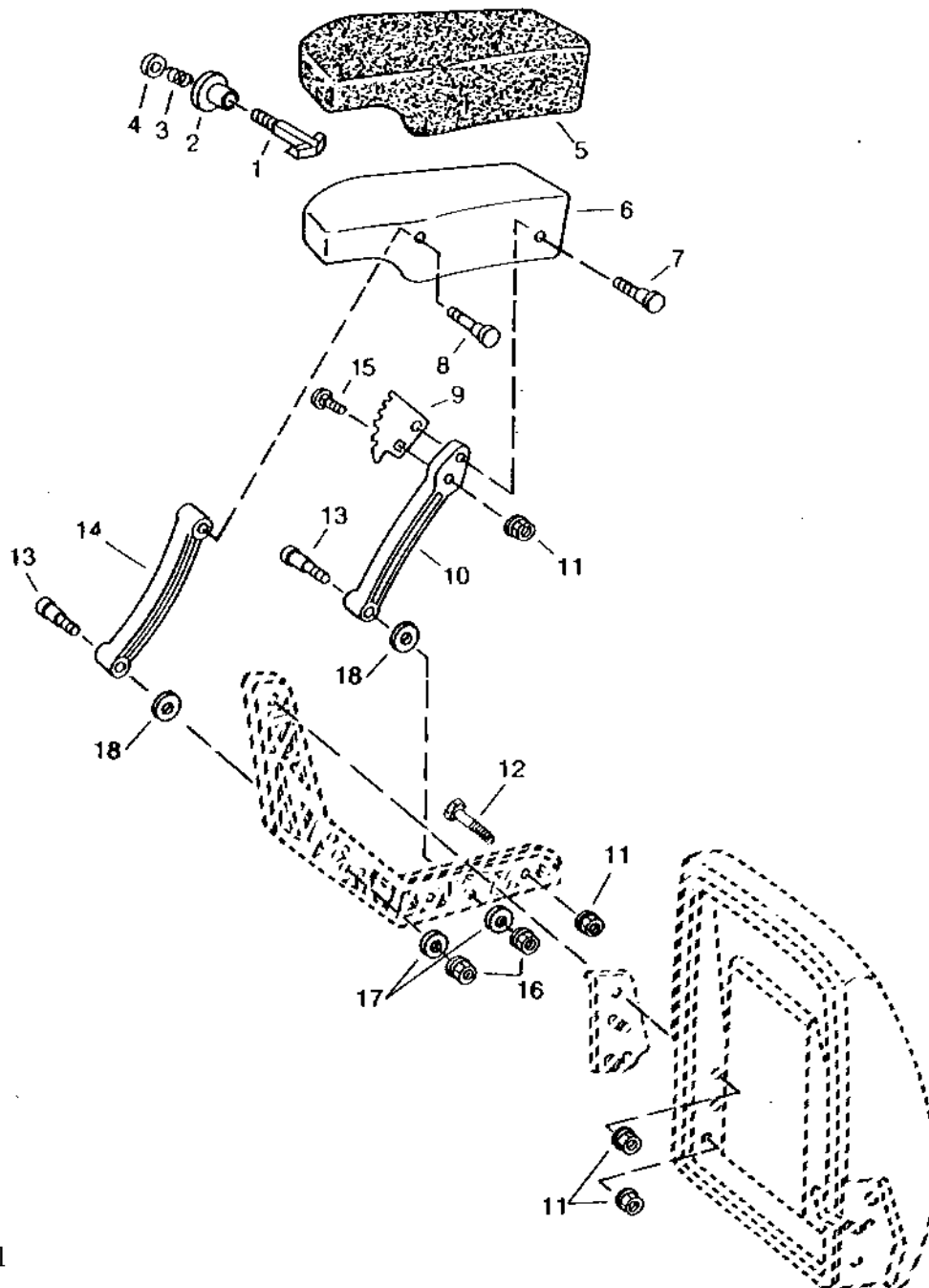
OPERATOR'S STATION

ARMREST ADJUSTING MECHANISM (R.H.) -CONTINUED
(640101 -)

KEY	PART NO.	PART NAME	QTY	SERIAL NO.	REMARKS
1	H137854	SUPPORT	1		
2	H96455	BUSHING	2		
3	H137858	WASHER	4		
4	H137856	SPACER	2		
5	H137857	BOLT	2		
	H137859	FLANGE NUT	2		
6	H137855	SUPPORT	1		
7	37M7155	SCREW	3	-660296	(SUB 37M7165)
	37M7165	SCREW	3		
8	H143439	COVER	1		
9	19M8331	CAP SCREW	2		M8 X 20
10	19M8330	SCREW	1		M8 X 35
11	24M7207	WASHER	3		

5E7

ARMREST (L.H.)
HP3131 -UN-01JAN94



HP3131

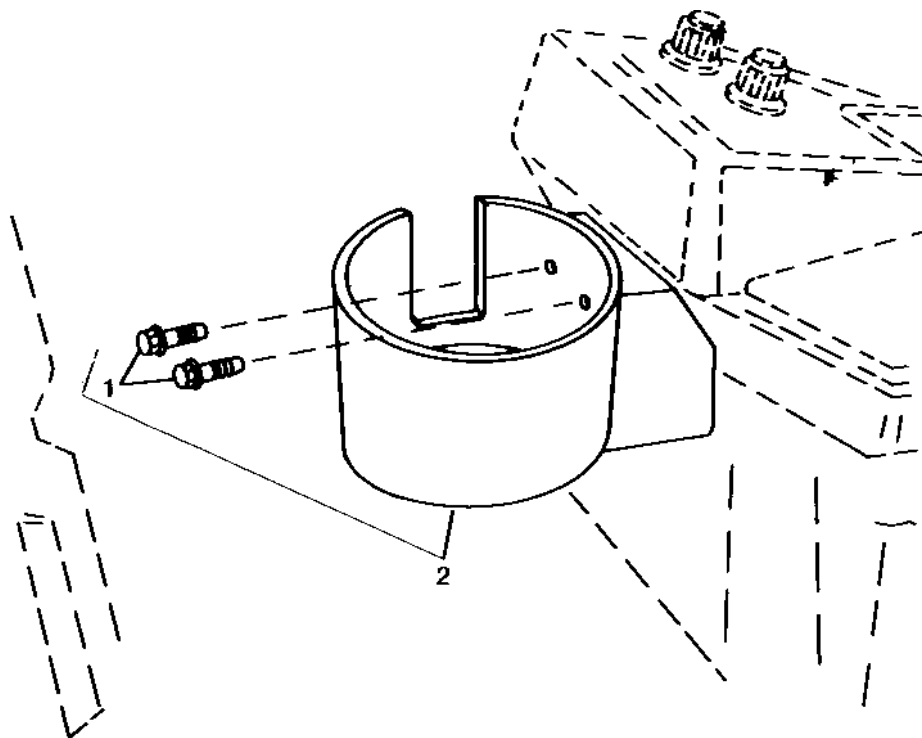
ARMREST (L.H.) - CONTINUED

KEY	PART NO.	PART NAME	QTY	SERIAL NO.	REMARKS
1	R59070	SHAFT KEY	1		
2	R59028	BUSHING	1		
3	A4741R	SPRING	1		
4	R59029	KNOB	1		
5	H120099	CUSHION	1		
6	R58816	ARMREST	1	635161-640684	(SUB R107823) NOW MADE OF PLASTIC
	R107823	ARMREST	1		
7	R59021	PIN	1		
8	R59023	PIN	1		
9	R61862	PLATE	1		
10	R59020	LINK	1		
11	N10215	LOCK NUT	1		
12	R59015	GANG BOLT	1		
13	R59022	SCREW	2		
14	R59013	LINK	1		
15	03H1765	BOLT	1		
16	H99923	LOCK NUT	2		
17	R53665	WASHER	2		
18	R27441	WASHER	2		

5E9

OPERATOR'S STATION

CUP HOLDER
(660101-)
HP5912 -UN-17DEC94



KEY	PART NO.	PART NAME	QTY	SERIAL NO.	REMARKS
1	H151166	SCREW	2	M6 X 16, (SUB H168428)	
	H168428	SCREW	2		
2	H151062	HOLDER	1	-660163 (SUB AH145616)	
	AH145616	HOLDER	1		

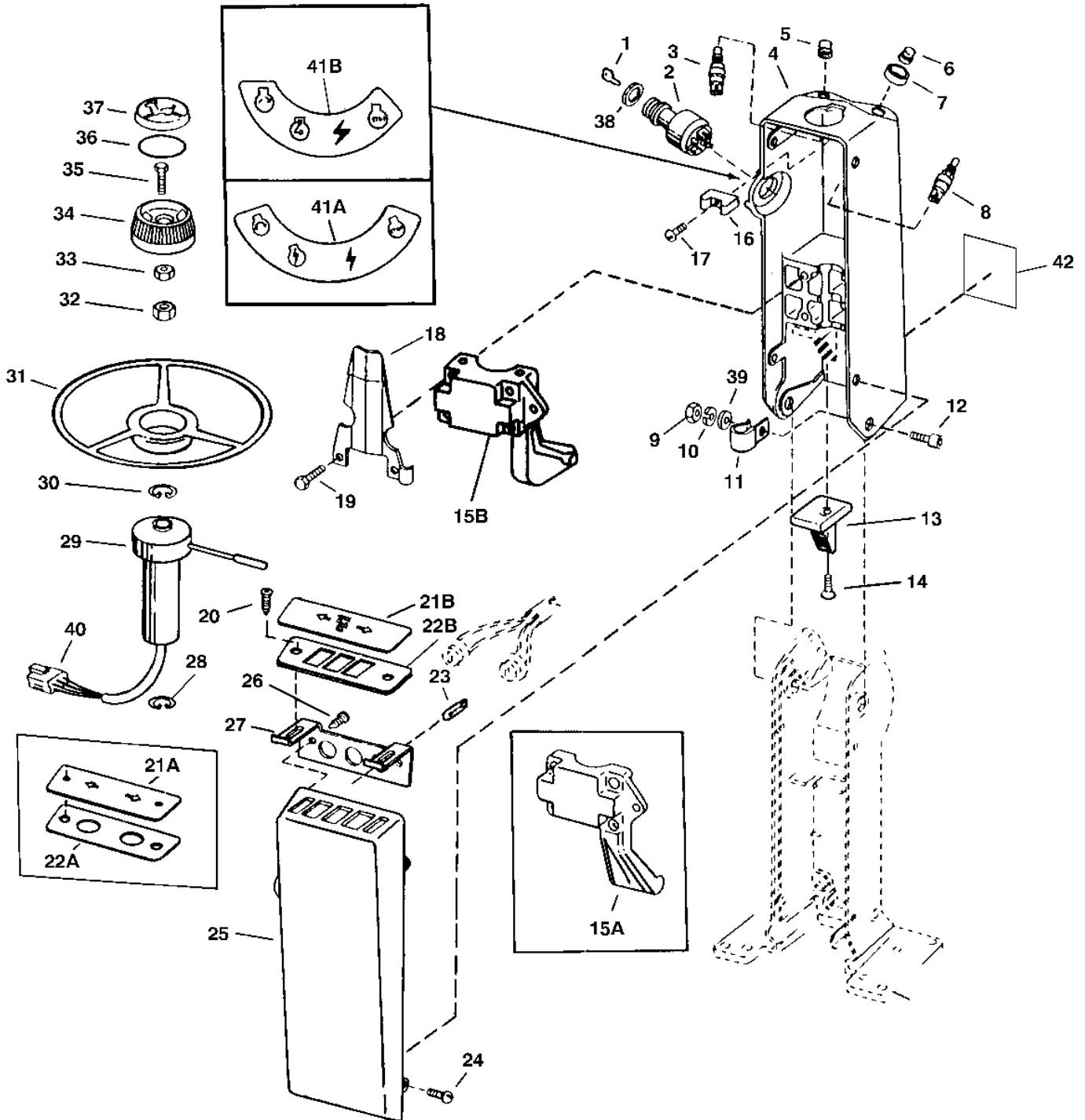
MEMORANDA

5E10

OPERATOR'S STATION

STEERING COLUMN (UPPER)

HP6547 -UN-23AUG96



HP6547

5E11

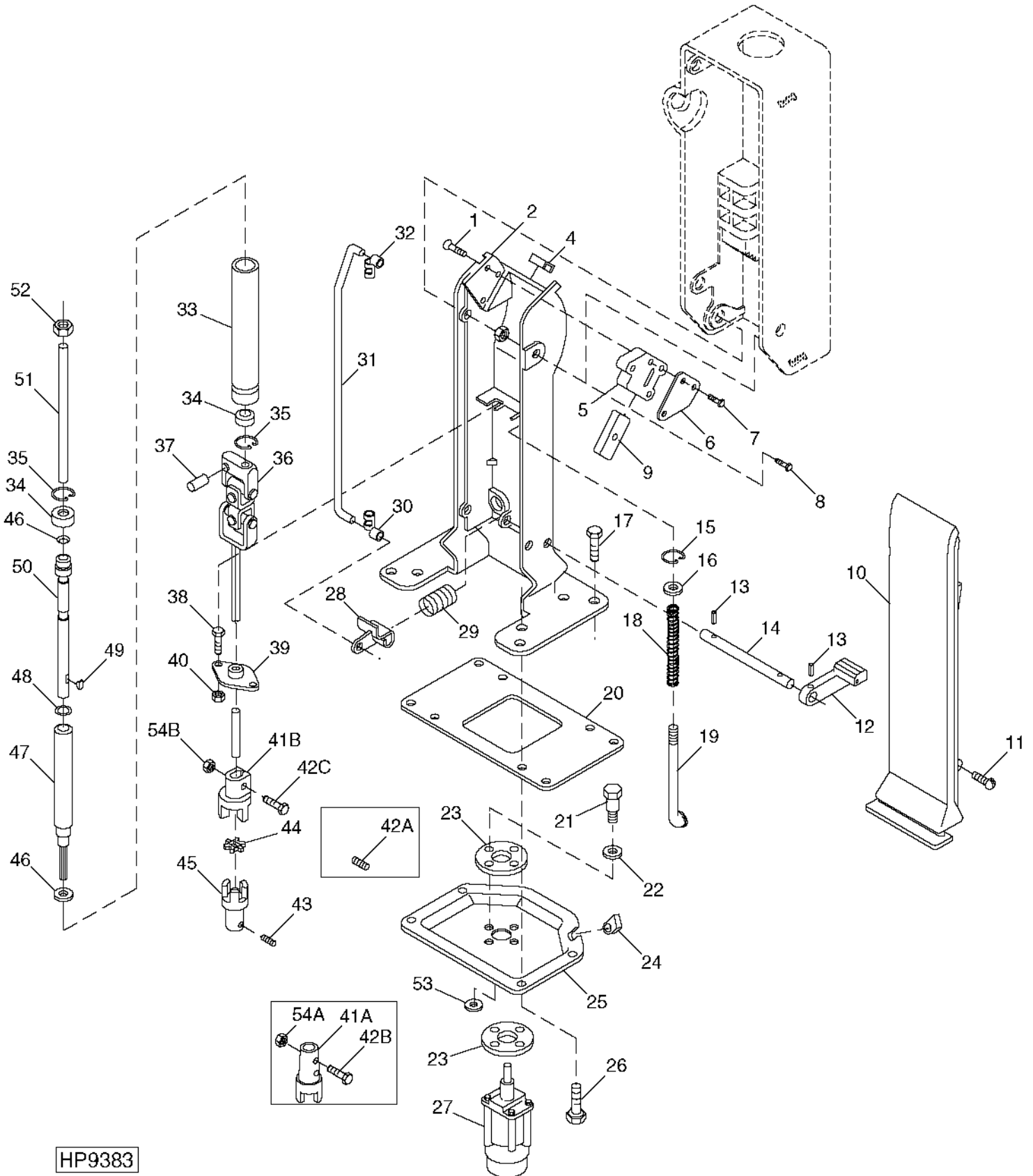
OPERATOR'S STATION

STEERING COLUMN (UPPER) - CONTINUED

KEY	PART NO.	PART NAME	QTY	SERIAL NO.	REMARKS
1	AR51481	KEY	1		
2	AH108816	SWITCH	1		KEY START SWITCH
3	R39554	SWITCH	1		HORN BUTTON
4	H113858	HOUSING	1		
5	T55501	CAP	1		
6	T55585	CAP	1		
7	H132895	GUARD	1		
8	R39554	SWITCH	1		ETHER AID START BUTTON
9	14M7274	NUT	2		
10	12M7066	LOCK WASHER	2		
11	AH89486	CLIP	1	-660377	(SUB AH96317)
	AH96317	CLIP	1		
12	H107687	SCREW	2		
13	H110812	GEAR	1		
14	H133205	SCREW	2		
15A	H113279	CLAMP	1	-660100	
15B	H150383	CLAMP	1	660101-	
16	H113863	GUIDE	1		
17	37M7071	SCREW	1		
18	AH129255	GUARD	1		
19	19M7800	SCREW	4		M8 X 50
20	H132899	SCREW	1		
21A	H134602	PANEL	1	-645259	(SUB H146392)
21B	H146392	PANEL	1		
22A	H134635	PANEL	1	-645259	(SUB H146391)
22B	H146391	PANEL	1		
23	AA27536	BULB	2		
24	H130192	SCREW	4		
25	H123873	COVER	1		
26	37H6	SCREW	2		
27	H132897	RETAINER	1		
28	R26192	SNAP RING	1		
29	AH121340	TURN SIGNAL CONTROLLER	1		TURN SIGNAL
30	R26192	SNAP RING	1		
31	T22875	STEERING WHEEL	1		
32	14M7257	NUT	1	-640684	M20, (SUB FOR 14M7160)
	14M7257	NUT	1	640685-	M20
33	14M7273	NUT	1		M8
34	H108822	KNOB	1		
35	19M3135	CAP SCREW	1	-640684	M8 X 40, (SUB 19M7922)
	19M7922	CAP SCREW	1		M8 X 40
36	B3690R	O-RING	1		
37	R47998	CAP	1		
38	R44342	NUT	1		
39	24M7040	WASHER	1		
40	AH116902	CONNECTOR	1		
41A	H139427	LABEL	1	-640684	(SUB H146042) FOR IGNITION SWITCH
41B	H146042	LABEL	1		FOR IGNITION SWITCH
42	H156390	LABEL	1	6MAY96-	

5E12

STEERING COLUMN (LOWER) HP9383 -UN-07DEC99



HP9383

5E13

OPERATOR'S STATION

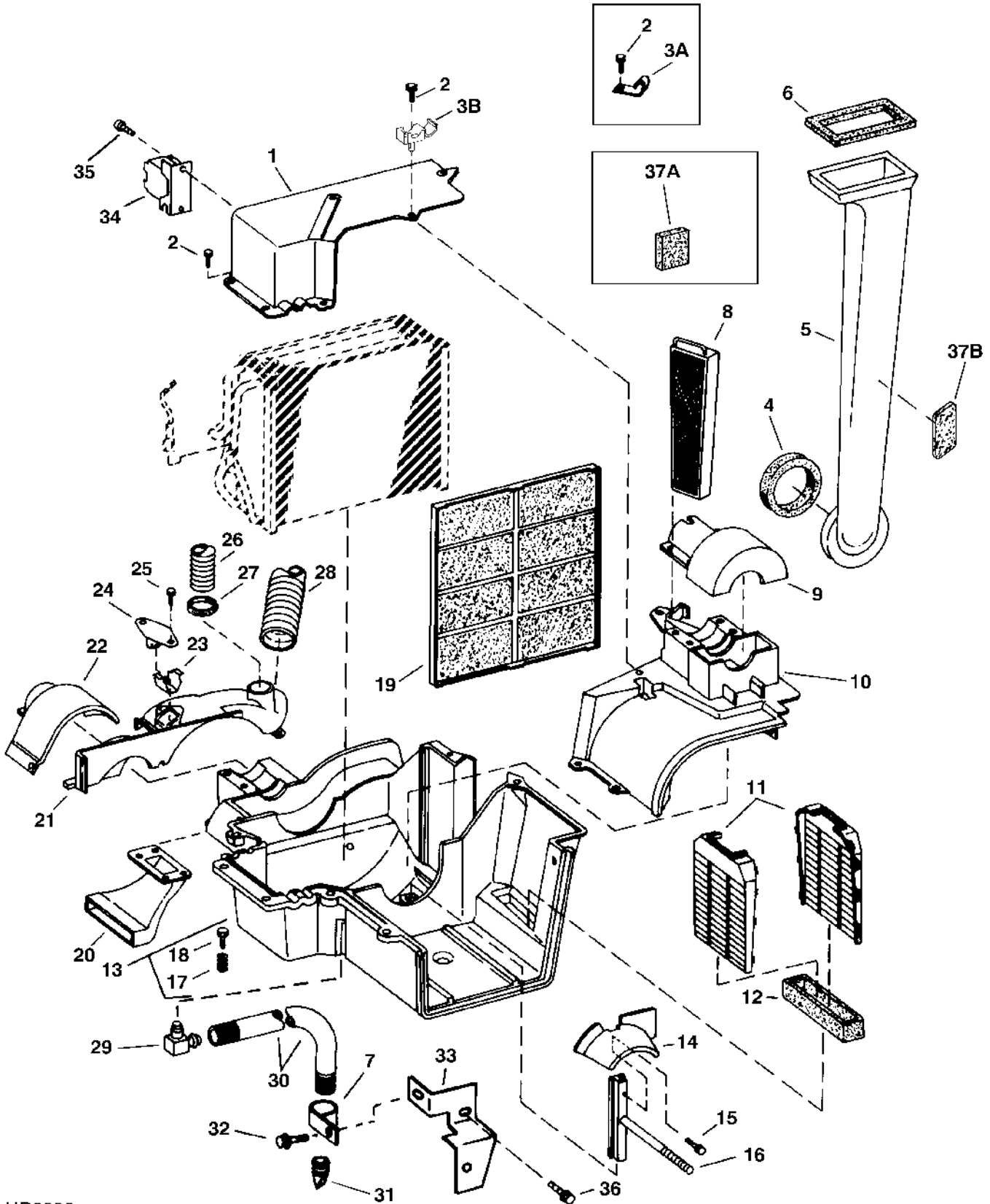
STEERING COLUMN (LOWER) - CONTINUED

KEY	PART NO.	PART NAME	QTY	SERIAL NO.	REMARKS
1	H133205	SCREW	3		
2	H123877	HOUSING	1		
3	14M7274	NUT	2	M10	
4	H107566	ISOLATOR	1		
5	H110310	HOUSING	1		
6	H110229	CRANK	1		
7	H131424	BOLT	2		
8	H107687	SCREW	2		
9	H141327	PAWL	1	(SUB FOR H109539)	
10	H123872	COVER	1	-645544	(SUB H147192)
	H147192	COVER	1		
11	H130192	SCREW	4		
12	H152174	PEDAL	1	(SUB FOR H107581)	
13	34M7102	SPRING PIN	2	5 X 26 MM	
14	H113864	PIN	1		
15	H133106	SNAP RING	1		
16	24M7055	WASHER	1	8.400 X 16 X 1.600 MM	
17	19M7800	SCREW	4	M8 X 50	
18	H113404	SPRING	1		
19	H113402	ROD	1		
20	H123874	SEALANT	1		
21	H110700	BOLT	4		
22	24M7028	WASHER	4	10.500 X 20 X 2 MM	
23	H134353	ISOLATOR	2		
24	H108725	GROMMET	1		
25	H123875	SUPPORT	1		
26	19M7867	SCREW	4	M8 X 25	
27	AH142441	PUMP	1	(SUB FOR AH130126)	STEERING PUMP
28	H107582	ARM	1		
29	H107584	SPRING	1		
30	R26501	CLIP	1		
31	H131186	ROD	1		
32	R26524	CLIP	1		
33	H107567	HOUSING	1		
34	AH97920	BALL BEARING	2		
35	H80753	SNAP RING	2		
36	AH130435	UNIVERSAL JOINT, WITH SHAFT	1	-640816	
	AH139065	UNIVERSAL JOINT, WITH SHAFT	1	640817-	
37	34M7124	SPRING PIN	1	8 X 30 MM	
38	19M7866	SCREW	2		
39	AH129236	BEARING	1		
40	14M7298	FLANGE NUT	2	-645544	M8
	14M7166	LOCK NUT	2	645545-	M8
41A	H134622	COUPLING	1	-640816	
41B	H144970	COUPLING	1	640817-28APR7	
	H162056	COUPLING	1	28APR7-	
42A	22M7073	SET SCREW	2	-640100	M8 X 12
42B	19M8359	CAP SCREW	2	640101-	M8 X 45
42C	H162055	SCREW	1	28APR7-27OCT7	
	H164921	SCREW	1	27OCT7-	
43	22M7072	SET SCREW	2	M6 X 10	
44	H134624	ISOLATOR	1		
45	H134623	SPLINED COUPLING	1		
46	H99294	WASHER	2		
47	AH130429	STEERING SHAFT	1		
48	H36256	O-RING	1		
49	H137667	SHAFT KEY	1		
50	H107570	STEERING SHAFT	1		
51	H107586	PIN	1		
52	14M7160	NUT	1	-640816	M20, (SUB 14M7257)
	14M7257	NUT	1		M20
53	H141946	WASHER	4		
54A	14M7166	LOCK NUT	1	640101-	M8
54B	14M7396	LOCK NUT	1	28APR7-27OCT7	M8
	H137328	NUT	1	27OCT7-2MAR98	
	14M7396	LOCK NUT	1	2MAR98-	M8

5E14

OPERATOR'S STATION

AIR CONDITIONING AND HEATER HOUSING AND FILTERS
HP6683 -UN-21MAR97



HP6683

5E15

OPERATOR'S STATION

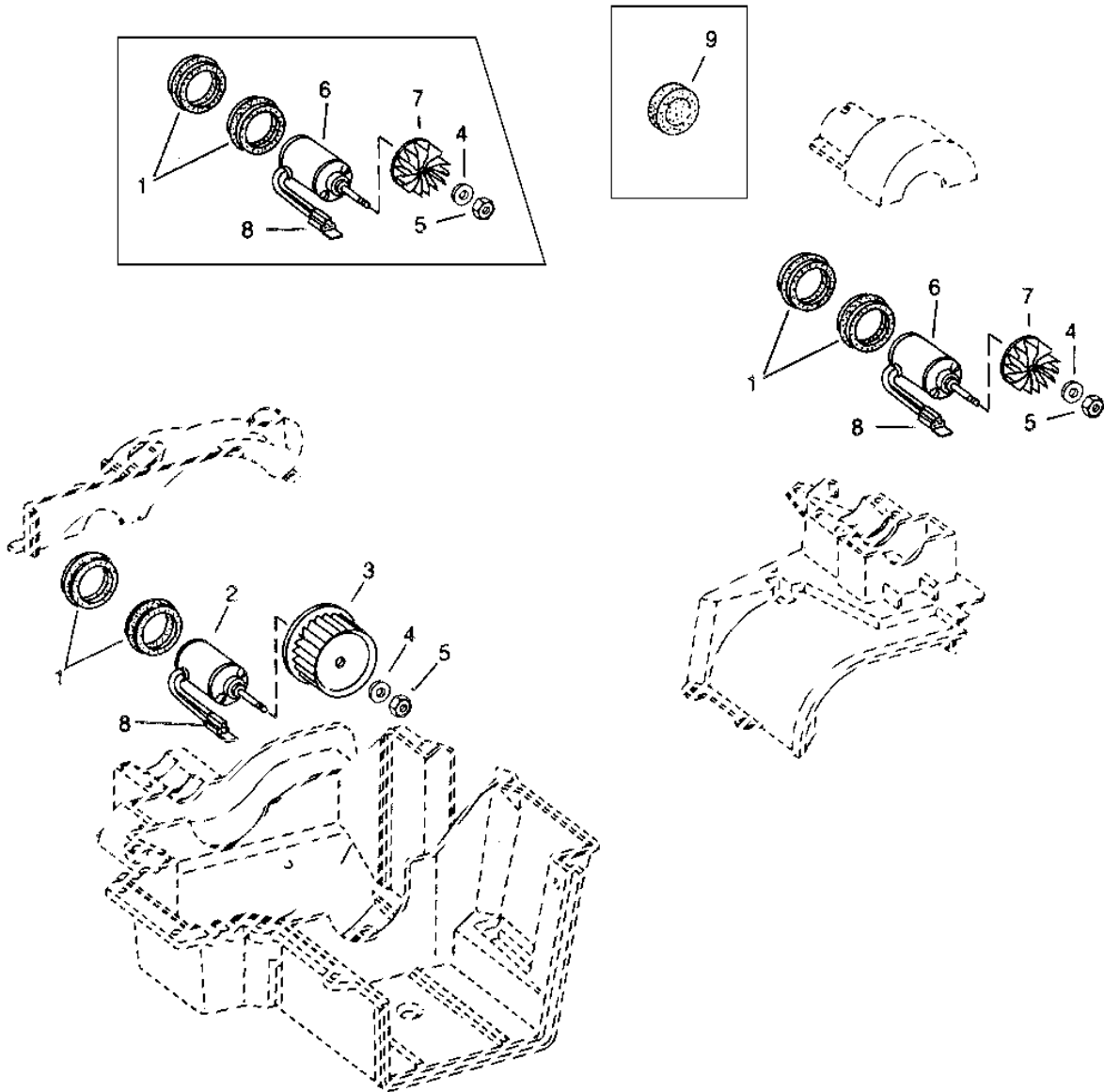
AIR CONDITIONING AND HEATER HOUSING AND FILTERS - CONTINUED

KEY	PART NO.	PART NAME	QTY	SERIAL NO.	REMARKS
1	H127575	HOUSING	1	-650420	(SUB H150100)
	H150100	HOUSING	1	-7APR97	(SUB H161021)
	H161021	HOUSING	1	7APR97-	
2	19M7862	SCREW	AR		M6 X 20
3A	AH89486	CLIP	1	-660377	(SUB AH96317)
	AH96317	CLIP	1	-12AU96	
3B	H158830	CLIP	1	12AU96-	(SUB AH96317)
4	H119186	SEAL	4	-640100	(SUB H144546)
	H144546	SEAL	2	640101-	(SUB H163397)
	H163397	SEAL	2		
5	H130374	AIR DUCT	1		
6	SEAL	1		(CUT FROM H88773)
7	R46414	CLAMP	2		
8	AH115836	AIR FILTER	1		RECIRCULATING FILTER
9	H115031	COVER	1		
10	AH120546	HOUSING	1		
11	H114142	PRESCREENER	2	-640100	
	H114142	PRESCREENER	2	650562-	
12	H118619	SEAL	1	-640100	
	H118619	SEAL	1	650562-	
13	AH122444	HOUSING	1	-640100	(SUB AH138601)
	AH138601	HOUSING	1	-650561	(SUB AH122444)
	AH122444	HOUSING	1		
14	H127978	DUST SHIELD	1		
15	37M7089	SCREW	AR		M6 X 12
16	AH112703	SUPPORT	1	-635100	(SUB AH134884)
	AH134884	SUPPORT	1		
17	H119362	BUSHING	5		
18	19M7862	SCREW	AR		M6 X 20
19	AH120547	FILTER	1		EVAPORATOR FILTER
20	H126589	AIR DUCT	1		
21	H127574	HOUSING	1	-671608	
	H158525	HOUSING	1	671609-	
22	H126590	COVER	1		
23	H130091	SHIELD	1		
24	AH125505	RESISTOR	1		
25	H123998	SCREW	AR		
26	H118872	LINE	1		
27	AR21999	HOSE CLAMP	AR	-640684	(SUB RE41991)
	RE41991	CLAMP	AR	-660568	(SUB TY22472)
	TY22472	CLAMP	AR		
28	H118871	LINE	1		
29	H124197	TUBE	1	-640684	(SUB H146429)
	H146429	FITTING	1		
30	H124198	TUBE	1	-670100	(SUB H159636) CONDENSATION DRAIN
	H159636	TUBE	1		
31	H135409	CHECK VALVE	1	-655346	(SUB H150385)
	H150385	CHECK VALVE	1		
32	19M7866	SCREW	1		M8 X 20
33	H137326	SUPPORT	1		
34	RE48284	THERMOSTAT	1	650562-650499	
	AH144020	THERMOSTAT	1	650500-	
35	H111706	SCREW	2	650562-650499	
	H123998	SCREW	2	650500-	
36	19M7865	SCREW	2	-650499	M8 X 16
	37M7058	SCREW	2	650500-	M8 X 20
37A	H119187	PAD	1	-670257	
37B	H159743	FOAM PAD	1	670258-	
..	AH138601	HOUSING	1		(SUB FOR AH138522) INCLUDED IN AH138601 WITH INSTALLATION INSTRUCTIONS FOR PRE-1991 MACHINES

5E16

OPERATOR'S STATION

PRESSURIZER FAN AND AIR CONDITIONING / HEATER FAN
HP6515 -UN-15JUL96



HP6515

5E17

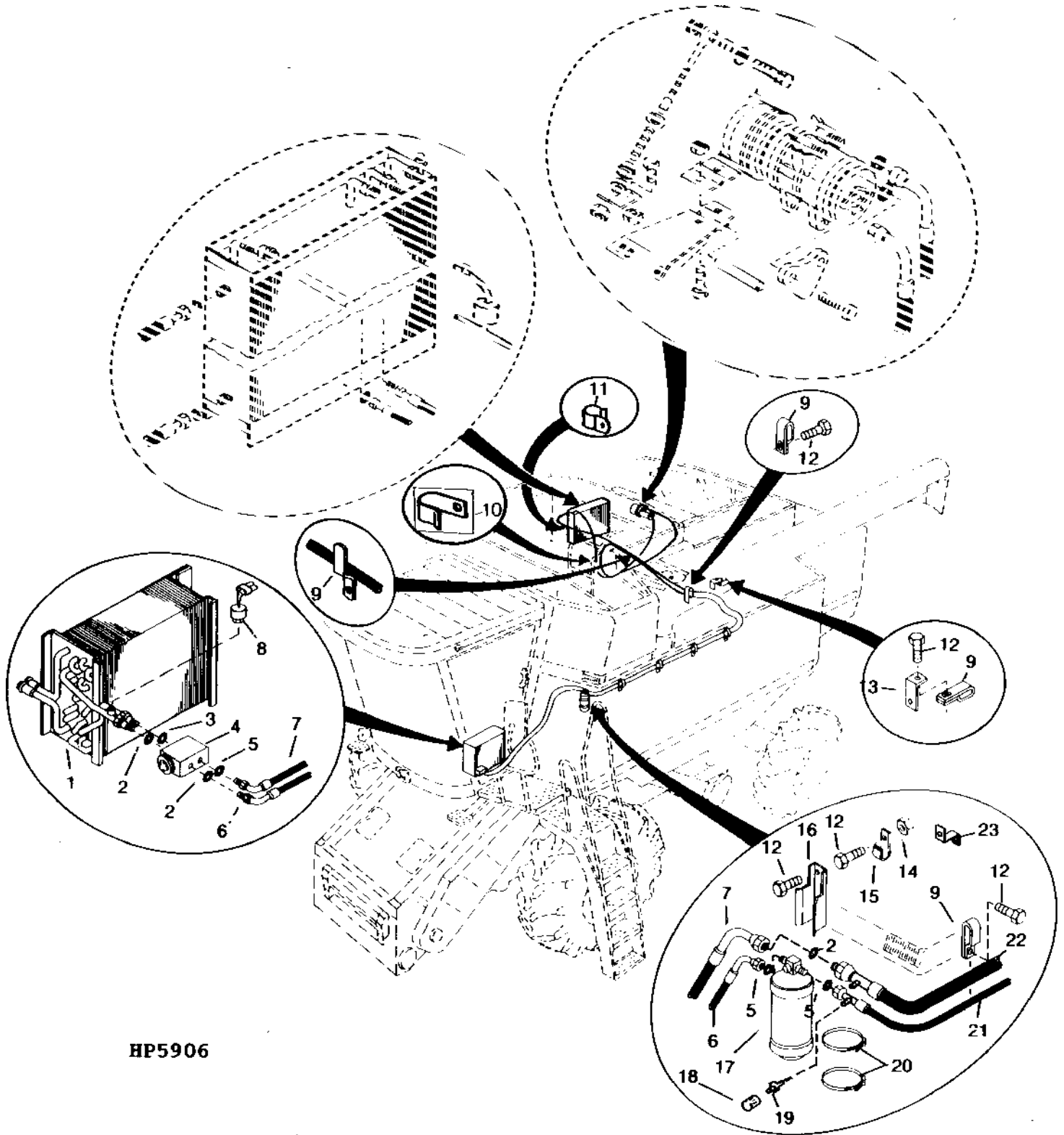
OPERATOR'S STATION

PRESSURIZER FAN AND AIR CONDITIONING / HEATER FAN - CONTINUED

KEY	PART NO.	PART NAME	QTY	SERIAL NO.	REMARKS
1	H115521	ISOLATOR	1		
	H115521	ISOLATOR	2	640101-	
2	AH128926	MOTOR	1		AC/HEATER
3	H114046	BLOWER FAN	1		
4	24M7117	WASHER	AR		4.300 X 9 X 0.800 MM
5	14M7264	LOCK NUT	AR		M4
6	AH128925	MOTOR	1	-640100	PRESSUREIZER
	AH128925	MOTOR	1	650421-	
	H129887	ISOLATOR	1		(USE WITH AH128925)
7	H124185	FAN	1	-640100	
	H124185	FAN	1	650421-	
8	T28586	CONNECTOR	1		
9	H119186	SEAL	2	-640100	(SUB H144546)
	H144546	SEAL	2	-650420	(SUB H163397) USE ONLY CENTER PORTION
	H163397	SEAL	2		

5E18

AIR CONDITIONING SYSTEM
HP5906 -UN-02MAY95



HP5906

AIR CONDITIONING SYSTEM - CONTINUED

KEY	PART NO.	PART NAME	QTY	SERIAL NO.	REMARKS
1	AH130957	EVAPORATOR	1	-635100	
	AH132264	EVAPORATOR	1	635101-	
2	R33259	O-RING	1		
3	P51212	O-RING	1	-650100	
	R113050	RING	1	650101-	
4	AH122867	VALVE	1	-650100	(SUB AH137702)
	AH137702	VALVE	1		
5	R10093	O-RING	1		
6	AH127684	HOSE	1		
7	AH127685	HOSE	1		
8	AH116110	SWITCH	1	-650420	(SUB AH144084) LOW PRESSURE
	AH144084	SWITCH	1		
9	AH77869	CLIP	1		
10	AH117301	CLAMP	1	-640100	FOR TWO HOSES - USE EXISTING HARDWARE
11	AH89486	CLIP	1	-660377	(SUB AH96317) USE EXISTING HARDWARE
	AH96317	CLIP	1		
12	19M7867	SCREW	1	-670100	
	19M7913	SCREW	1	670101-	M8 X 90
13	H132662	BRACKET	1		
14	14M7298	FLANGE NUT	1	-670100	
15	AH78125	CLIP	1	-670100	
	AH77724	CLIP	1	670101-	
16	H136541	HOSE SUPPORT	1		
17	AT63170	RECEIVER-DRYER	1	-635100	(SUB AT125596)
	AT125596	RECEIVER-DRYER	1	-650100	(SUB AH137486)
	AH137486	RECEIVER-DRYER	1		
18	R60172	NUT	1		
19	R60170	VALVE	1		
20	AR21842	CLAMP	1	-660507	(SUB TY22474)
	TY22474	CLAMP	1		
21	AH126036	HOSE	1	-640100	
	AH136505	HOSE	1	640101-650100	(SUB AH126036)
	AH126036	HOSE	1		
22	AH126034	HOSE	1	-650100	
	AH142105	REFRIGERANT HOSE	1	650101-665539	
	AH153405	LINE	1	665540-	
23	H132538	HOSE SUPPORT	1		

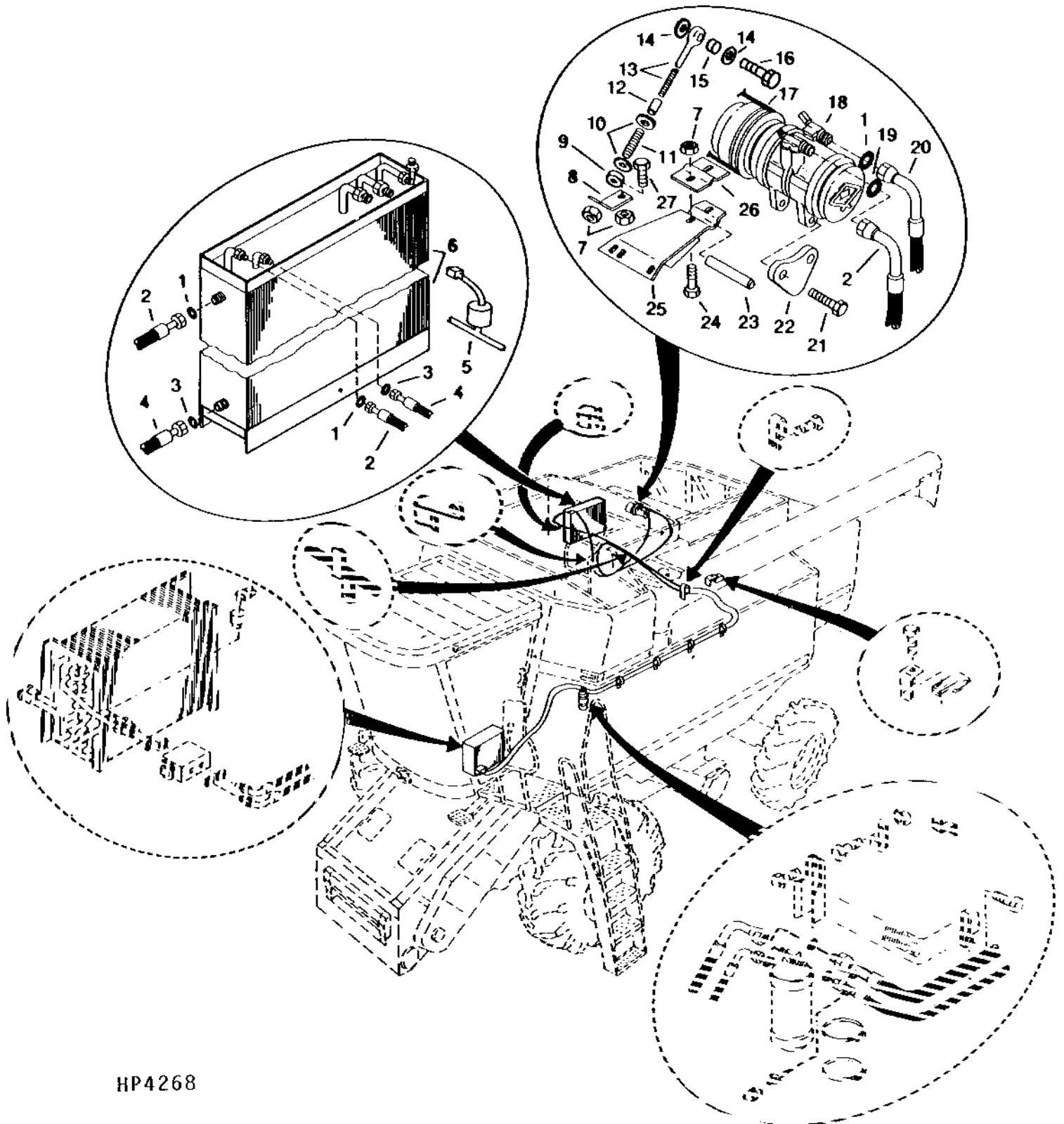
5E20

OPERATOR'S STATION

AIR CONDITIONING SYSTEM (FOR R-12 REFRIGERANT)

(-650100)

HP4268 -UN-01JAN94



HP4268

5E21

OPERATOR'S STATION

AIR CONDITIONING SYSTEM (FOR R-12 REFRIGERANT) - CONTINUED
 (-650100)

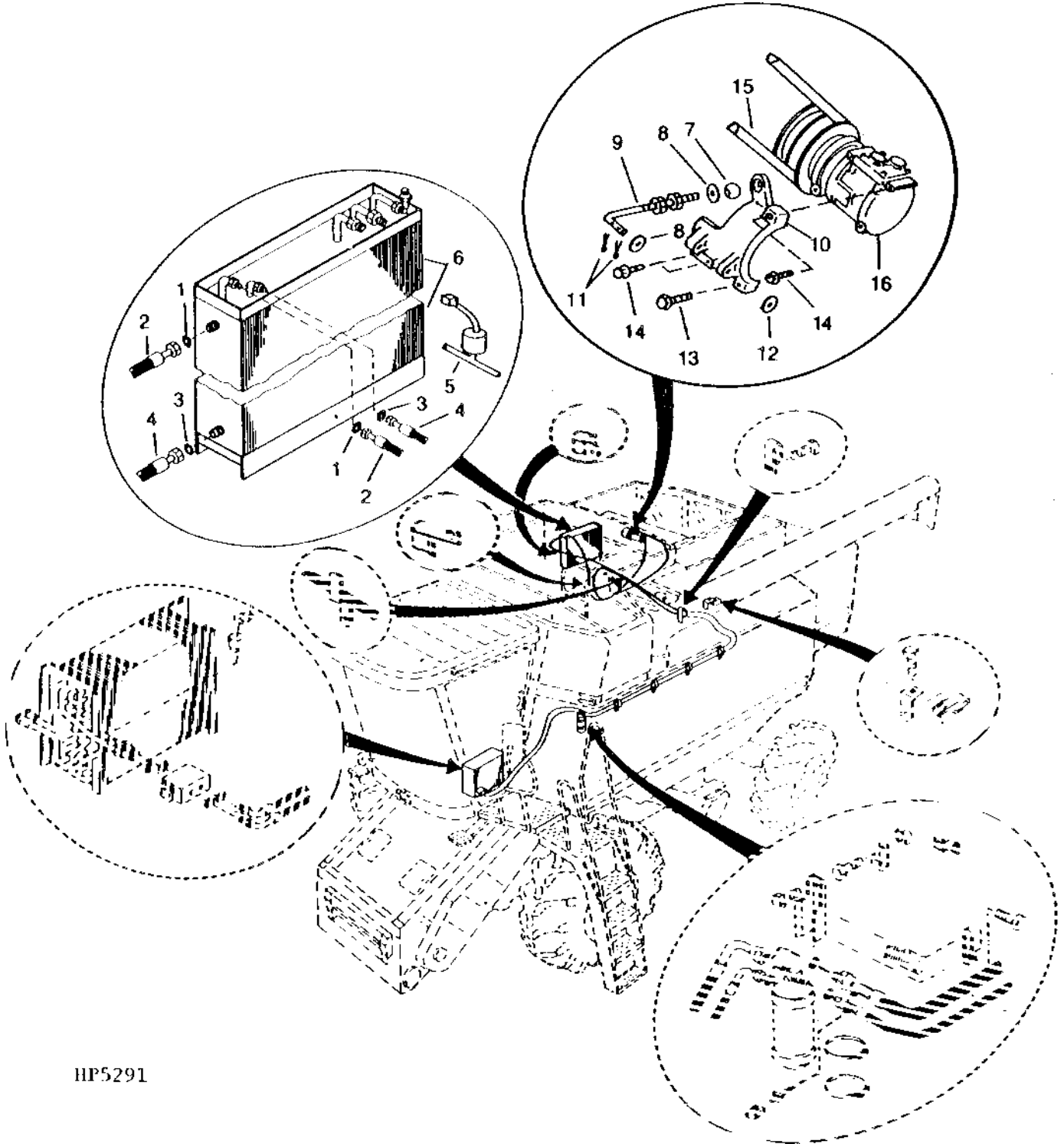
KEY	PART NO.	PART NAME	QTY	SERIAL NO.	REMARKS
1	P51212	O-RING	1	-650100	
	R113050	RING	1	650101-	
2	AH126044	HOSE	1	-640100	PRESSURE, LONGER HOSE USED FOR ALL
	AH137735	HOSE	1	640101-650100	PRESSURE, LONGER HOSE USED FOR ALL
	AH142107	REFRIGERANT HOSE	1	650101-16SEP6	
3	R10093	O-RING	1		
4	AH126036	HOSE	1	-640100	
	AH136505	HOSE	1	640101-650100	(SUB AH126036)
	AH126036	HOSE	1		
5	RE24307	HIGH PRESSURE SWITCH	1		HIGH PRESSURE
6	AH150219	OIL COOLER	1	670000-	(SUB FOR AH120836 OR AH136172) OIL COOLER AND CONDENSER TOGETHER
7	14M7296	FLANGE NUT	2		M10
8	H128194	BRACKET	1		PRESSURE
9	H134214	GUIDE	1	-635108	
	H77337	WASHER	1		NEW PART WORKS ALL THE WAY BACK FOR OLD
10	24M7028	WASHER	2	-635108	10.500 X 20 X 2 MM
	24M7178	WASHER	2		10.500 X 30 X 2.500 MM
11	H128906	COMPRESSION SPRING	1	-635108	
	N61703	SPRING	1		
12	28H1527	SPACER	1	-635100	
	28H1495	SPACER	1		
	28H1495	SPACER	1		
13	H118539	EYEBOLT	1		
14	24M7178	WASHER	1		
15	H118543	BUSHING	1		
16	19M8118	CAP SCREW	1		M10 X 35
17	H134772	BELT	1	630201-635100	12.700 X 1 440 MM (1/2" X 56.693")
	H101813	BELT	1	635101-650100	12.700 X 1 479.550 MM (1/2" X 58-1/4")
	H80896	BELT	1	650101-	12.700 X 1 422.500 MM (1/2" X 56.004")
18	RE12513	COMPRESSOR	1	-650100	(SUB TY6626) W/CLUTCH LESS SERV MANIFOLDS
	TY6626	COMPRESSOR	1		REMANUFACTURED
19	R33259	O-RING	1		
20	AH126034	HOSE	1		SUCTION OR RETURN
21	19M8007	CAP SCREW	4		M10 X 25
22	H125988	PIVOT	1		
23	H125989	SHAFT	2		
24	03M7191	BOLT	2		M10 X 25
25	H136603	SUPPORT	1	-640100	
	H144123	SUPPORT	1	640101-	
26	H125991	CLAMP	1		
27	19M7786	SCREW	1		M10 X 30
..	R49856	OIL	1		1 QT. REFRIGERANT OIL

5E22

OPERATOR'S STATION

AIR CONDITIONING SYSTEM (FOR R134A REFRIGERANT)

(650101-)
HP5291 -UN-01JAN94



HP5291

5E23

OPERATOR'S STATION

AIR CONDITIONING SYSTEM (FOR R134A REFRIGERANT) - CONTINUED
(650101-)

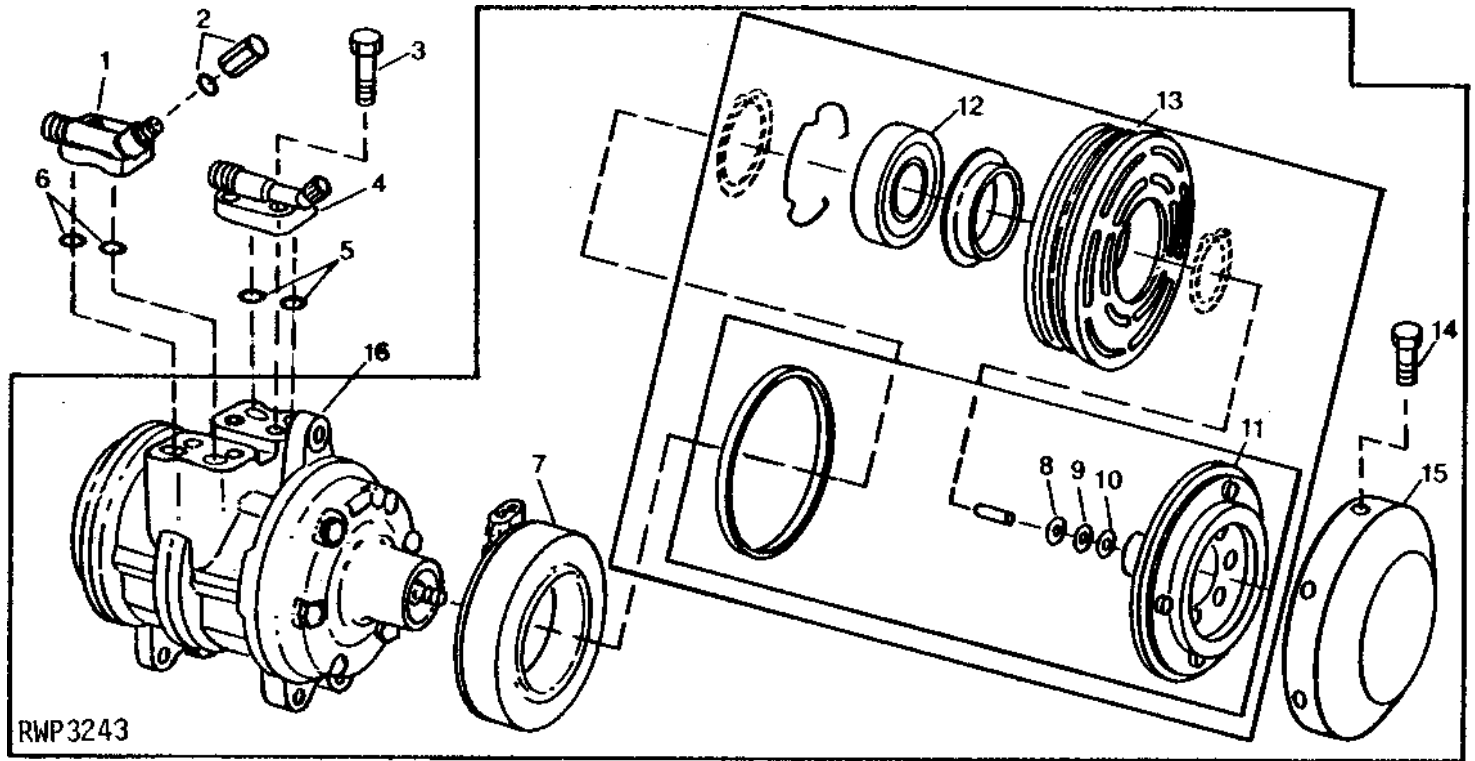
KEY	PART NO.	PART NAME	QTY	SERIAL NO.	REMARKS
1	P51212	O-RING	1		
2	AH126044	HOSE	1		PRESSURE, LONGER HOSE USED FOR ALL (SERVICE ONLY)
3	R10093	O-RING	1		
4	AH126036	HOSE	1		
5	RE24307	HIGH PRESSURE SWITCH	1		HIGH PRESSURE
6	AH149618	VAPOR CONDENSER	1		(SUB FOR AH140471) EVAPORATOR
	AH150219	OIL COOLER	1		(SUB FOR AH136172) OIL COOLER AND CONDENSER TOGETHER, NOT FOR 253 HP ENGINE
7	P45458	BALL	1		
8	24M7047	WASHER	2		13 X 24 X 2.500 MM
9	H145987	HOOK BOLT	1		
	14M7275	NUT	2		M12
10	H145986	ARM	1		
11	11M7021	COTTER PIN	2		4 X 25 MM
12	24M7047	WASHER	1		13 X 24 X 2.500 MM
13	19M7838	SCREW	1		M12 X 130
14	19M7913	SCREW	3		
15	H80896	BELT	1		
16	RE46657	COMPRESSOR	1		
	TY6765	COMPRESSOR	1		USE ON ALL MACHINES PRIOR TO 1993
..	TY22025	OIL	1		(SUB TY22101)
..	TY22101	OIL	1		

5E24

OPERATOR'S STATION

COMPRESSOR CLUTCH AND SERVICE VALVES (FOR R-12 REFRIGERANT)

(-650100)
RWP3243 -UN-01JAN94



KEY	PART NO.	PART NAME	QTY	SERIAL NO.	REMARKS
1	RE10981	MANIFOLD	1		
2	RE10982	VALVE	1		
3	R77398	SCREW	4		
4	RE10980	MANIFOLD	1		
5	R77401	O-RING	2		
6	R77400	PACKING	2	-660333	(SUB R123145)
7	R123145	PACKING	2		
	H122522	ELECTRICAL COIL	1	-635797	(SUB R85688)
	R85688	STATOR	1	635798-	
8	R77391	WASHER	AR		
9	R77392	SHIM	AR		
10	R77393	SHIM	AR		
11	AH119047	KIT	1		
12	R77394	BEARING	1		
13	AH119048	KIT	1		
14	R77390	SCREW	6		
15	H122534	COVER	1		
16	RE12513	COMPRESSOR	1	-650100	(SUB TY6626) W/CLUTCH LESS SERV MANIFOLDS
	TY6626	COMPRESSOR	1		REMANUFACTURED
..	RE10976	KIT	1		HARDWARE

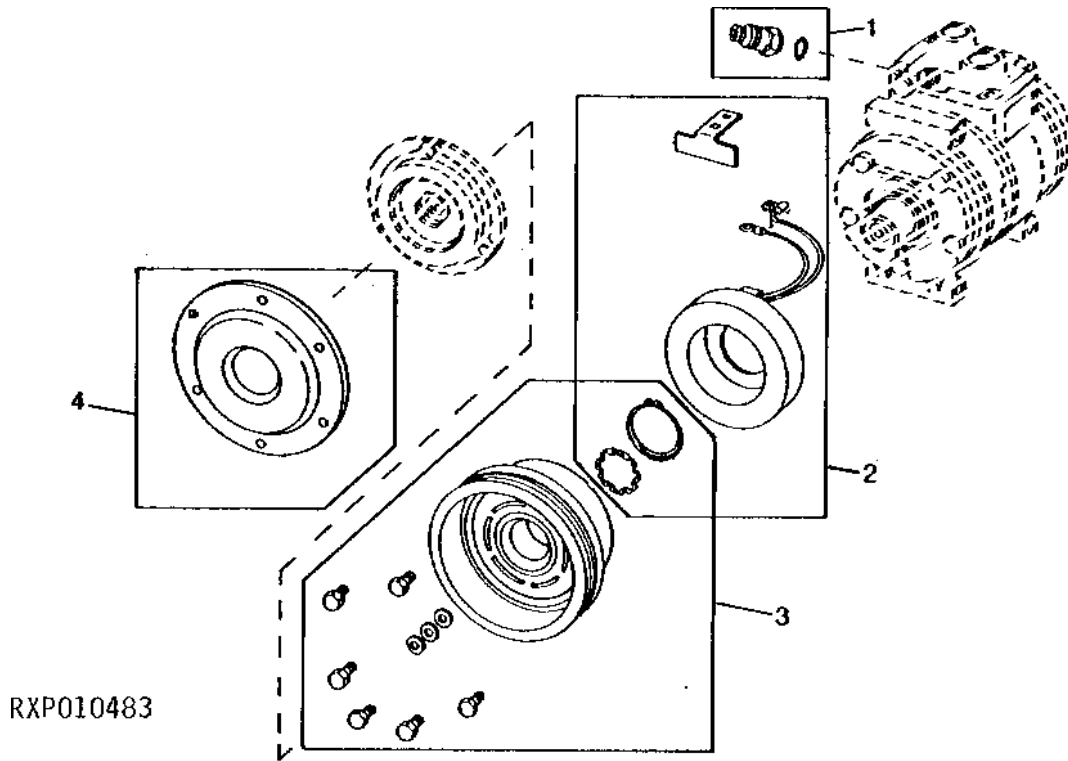
5E25

OPERATOR'S STATION

COMPRESSOR CLUTCH AND SERVICE VALVES (FOR R-12 REFRIGERANT)

(-650100)

RXP010483 -UN-01JAN94



RXP010483

KEY	PART NO.	PART NAME	QTY	SERIAL NO.	REMARKS
1	RE52506	VALVE	1		
2	RE52510	STATOR	1		
3	RE53408	KIT	1		
4	R115743	COVER	1	(SUB R122351)	

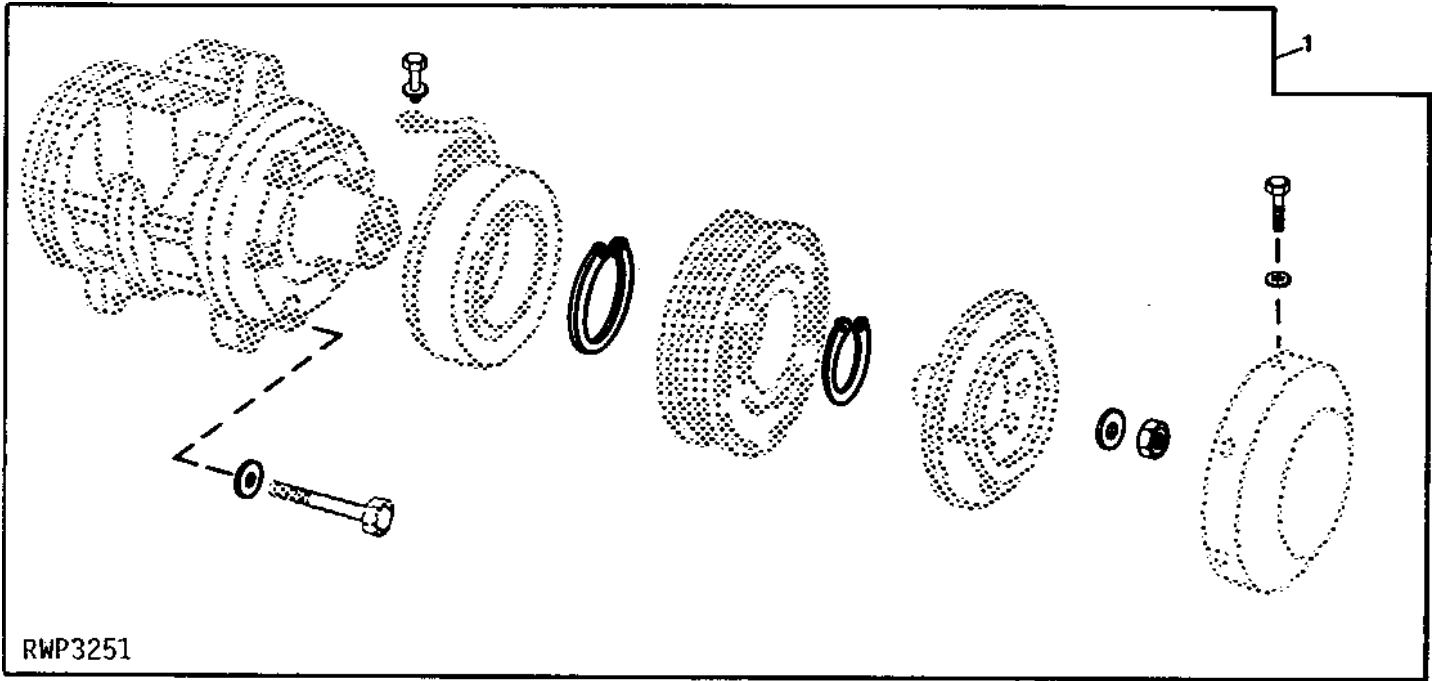
5F1

OPERATOR'S STATION

COMPRESSOR HARDWARE SET (FOR R-12 REFRIGERANT)

(-650100)

RWP3251 -UN-01JAN94



KEY	PART NO.	PART NAME	QTY	SERIAL NO.	REMARKS
1	RE10976	KIT	1		

MEMORANDA

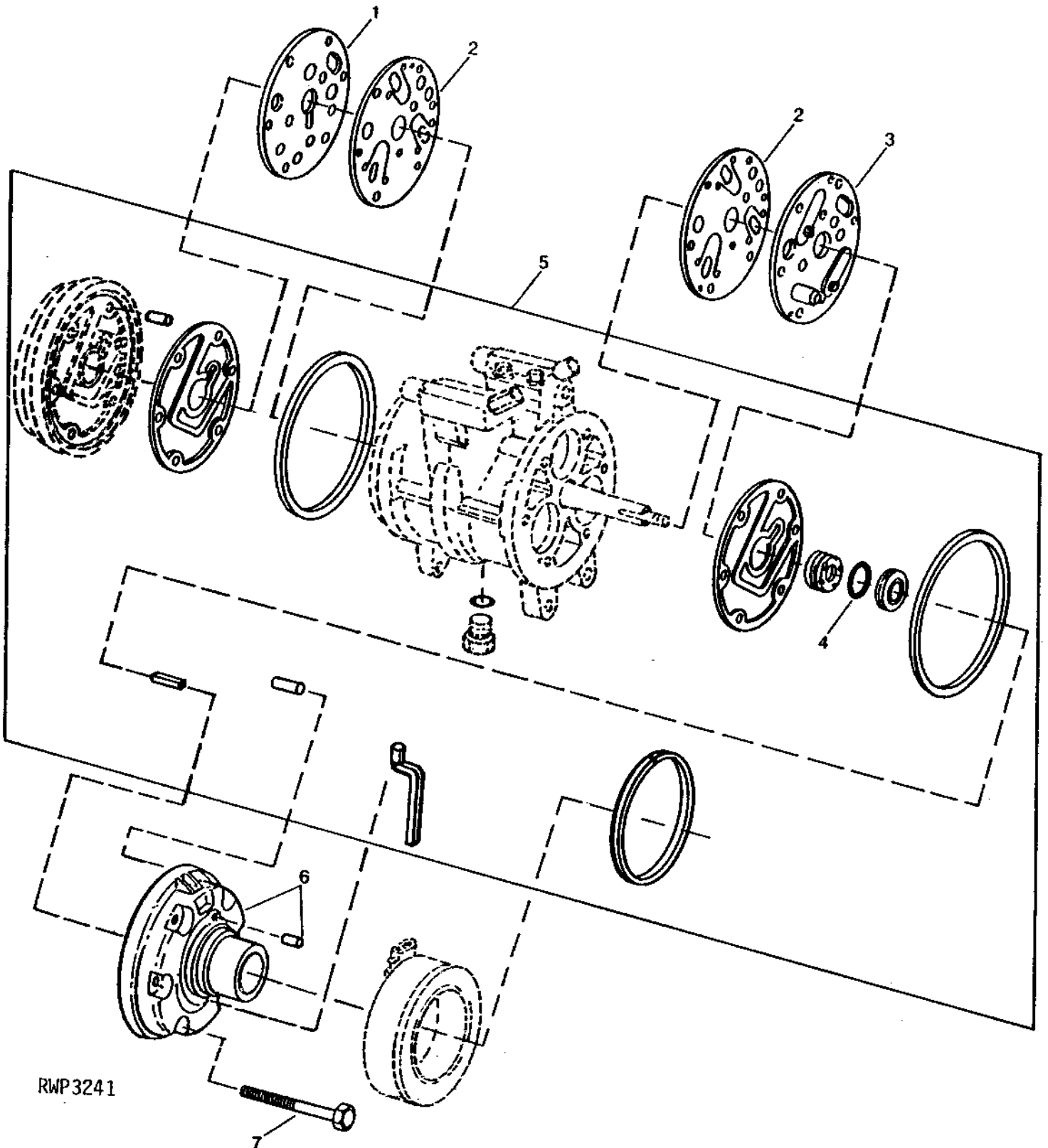
5F2

OPERATOR'S STATION

COMPRESSOR PARTS (FOR R-12 REFRIGERANT)

(-650100)

RWP3241 -UN-01JAN94



RWP3241

5F3

OPERATOR'S STATION

COMPRESSOR PARTS (FOR R-12 REFRIGERANT)- CONTINUED
(-650100)

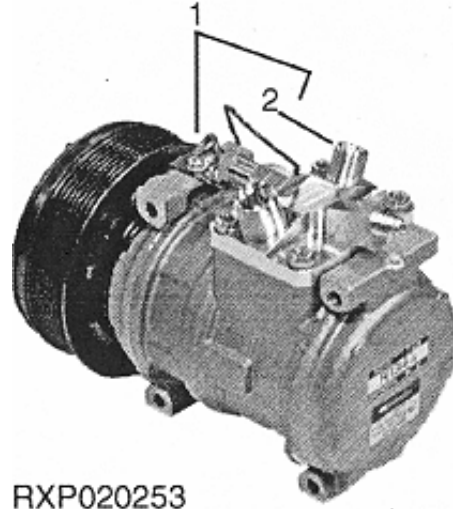
KEY	PART NO.	PART NAME	QTY	SERIAL NO.	REMARKS
1	RE10979	PLATE	1		
2	R77397	VALVE	2		
3	RE10978	PLATE	1		
4	R77399	PACKING	1		
5	RE10973	KIT	1		
6	RE10977	CYLINDER HEAD	1		
7	R77396	SOCKET HEAD SCREW	6		

5F4

OPERATOR'S STATION

AIR CONDITIONING COMPRESSOR (FOR R134A REFRIGERANT)

(650101-)
RXP020253 -UN-01JAN94



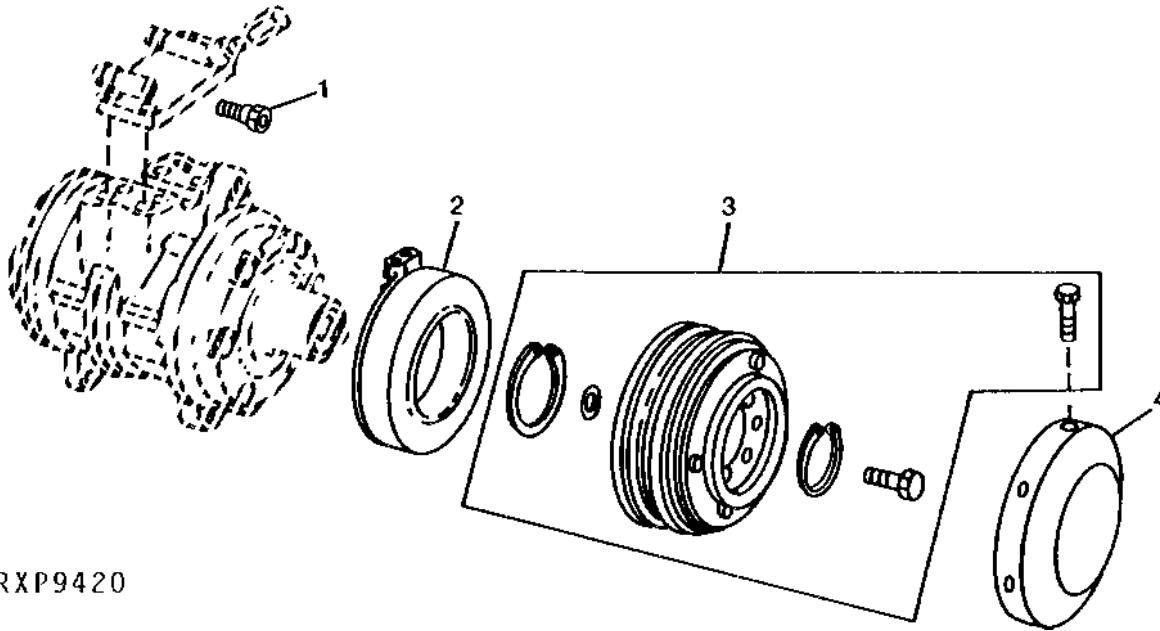
RXP020253

KEY	PART NO.	PART NAME	QTY	SERIAL NO.	REMARKS
1	RE52454	COMPRESSOR	1		
2	RE51052	MANIFOLD	1		
..	R115742	SEAL	1		
..	TY22025	OIL	1		(SUB TY22101) 250 ML
..	TY22101	OIL	1		
..	TY15949	REFRIGERANT	1		12 LBS (R134A)
..	TY15950	REFRIGERANT	1		15 LB (R134A)
..	TY15951	REFRIGERANT	1		30 LBS. (R134A)
..	RE46657	COMPRESSOR	1		COMPLETE
..	TY6768	COMPRESSOR	1		USE ON ALL MACHINES PRIOR TO 1993

5F5

COMPRESSOR CLUTCH/STATOR/DUST COVER (FOR R134A REFRIGERANT)

(650101-)
RXP9420 -UN-01JAN94



RXP9420

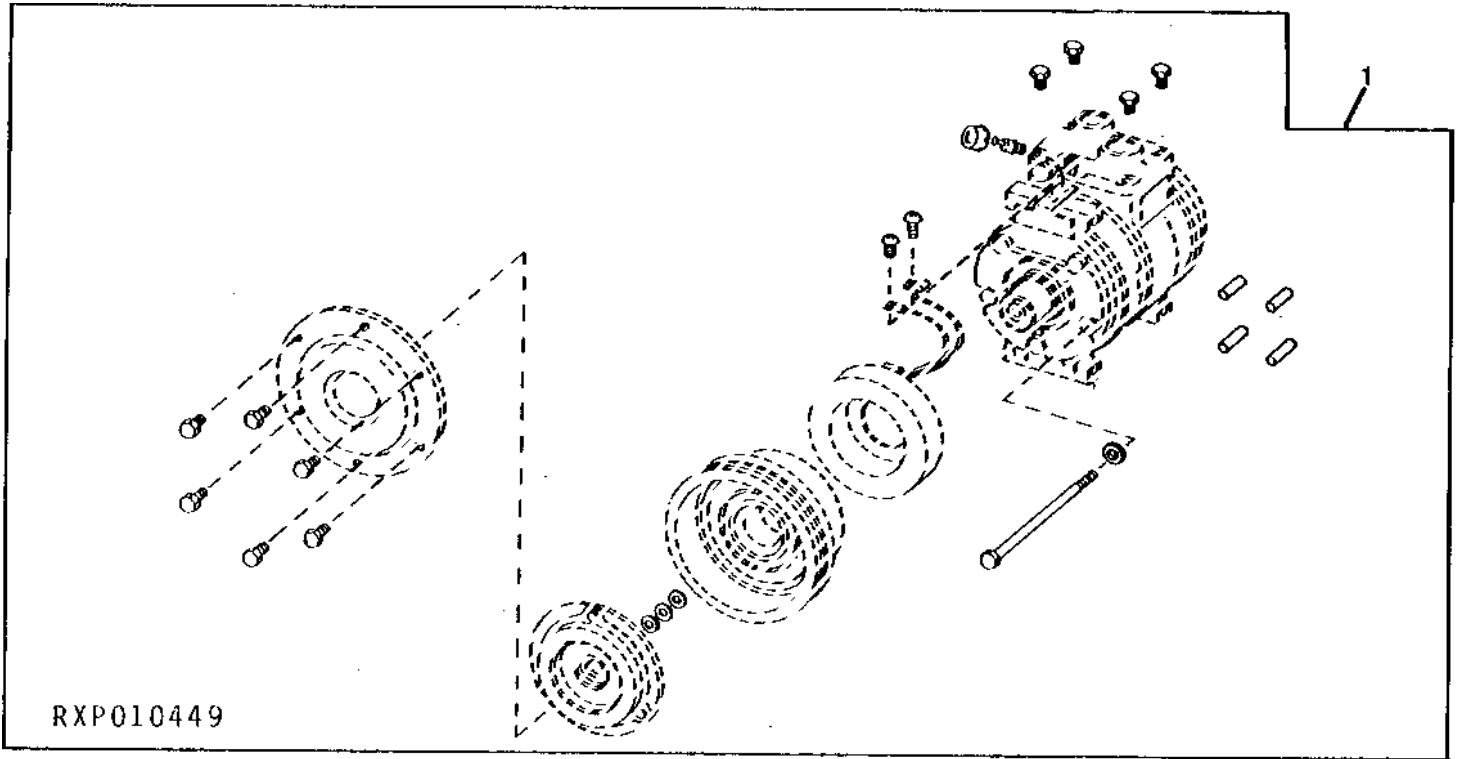
KEY	PART NO.	PART NAME	QTY	SERIAL NO.	REMARKS
1	RE52506	VALVE	1		
2	RE52510	STATOR	1		
3	RE53408	KIT	4		
4	R115743	COVER	1		

5F6

OPERATOR'S STATION

COMPRESSOR HARDWARE SET (FOR R134A REFRIGERANT)

(650101-)
RXP010449 -UN-01JAN94



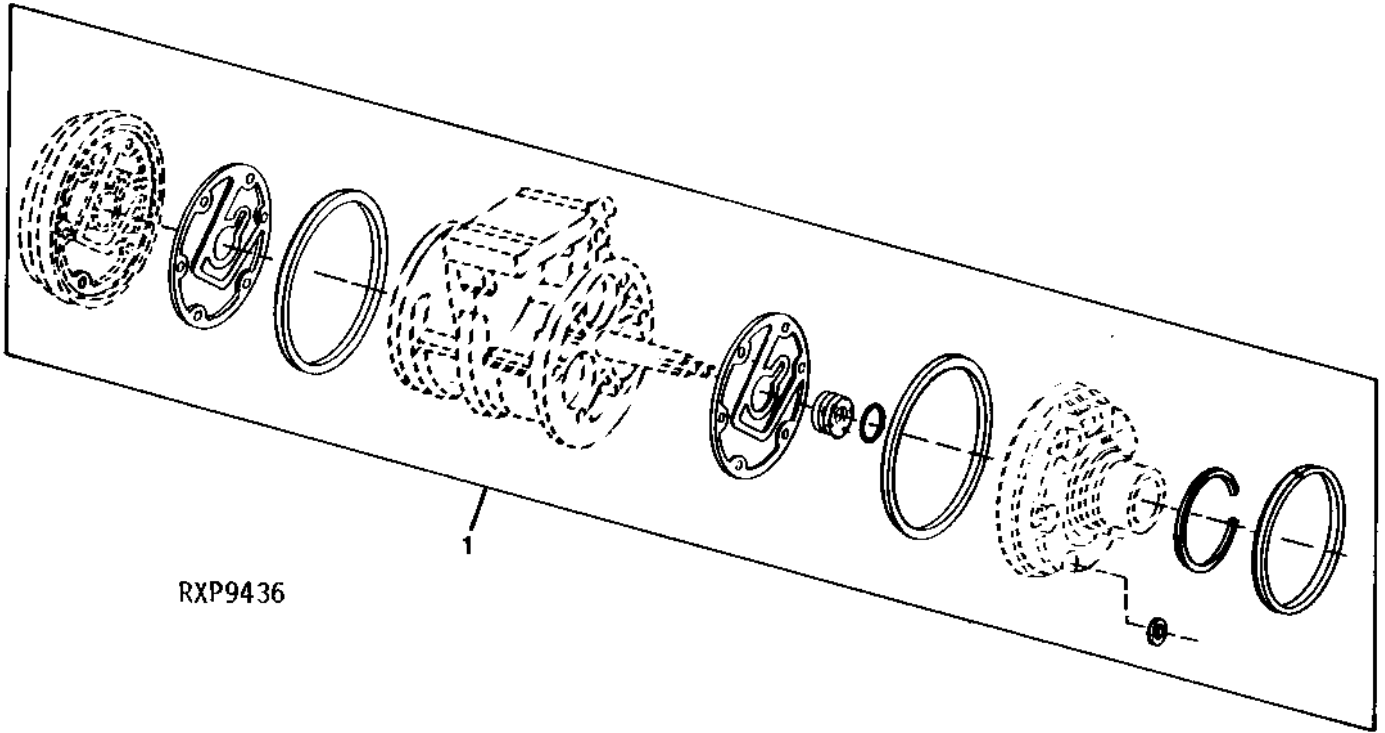
KEY	PART NO.	PART NAME	QTY	SERIAL NO.	REMARKS
1	RE52507	KIT	1		

5F7

OPERATOR'S STATION

COMPRESSOR PARTS (FOR 134A REFRIGERANT)

(650101-)
RXP9436 -UN-01JAN94



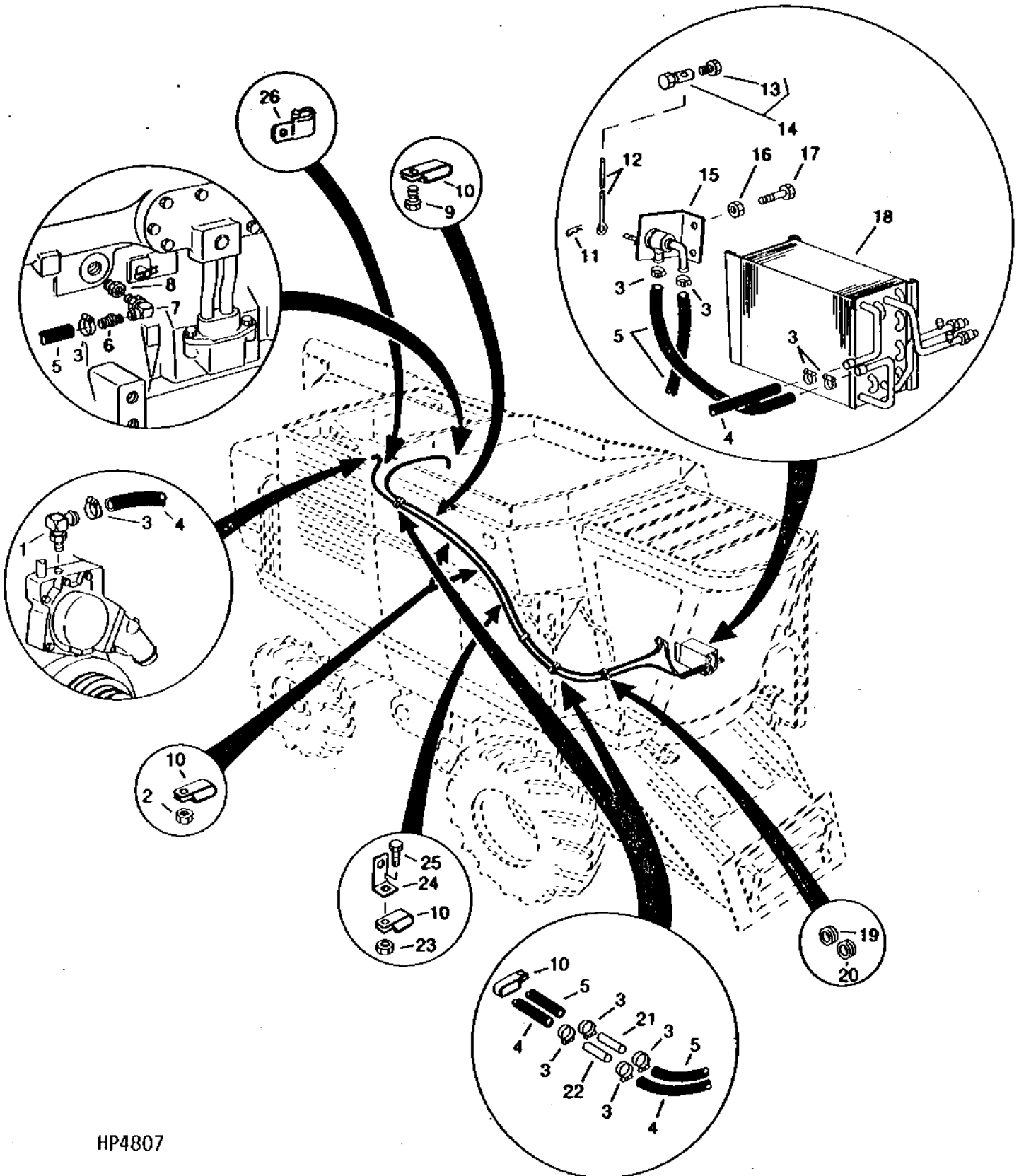
RXP9436

KEY	PART NO.	PART NAME	QTY	SERIAL NO.	REMARKS
1	RE52509	SEAL KIT	1		

5F8

OPERATOR'S STATION

HEATER SYSTEM
HP4807 -UN-01JAN94



HP4807

5F9

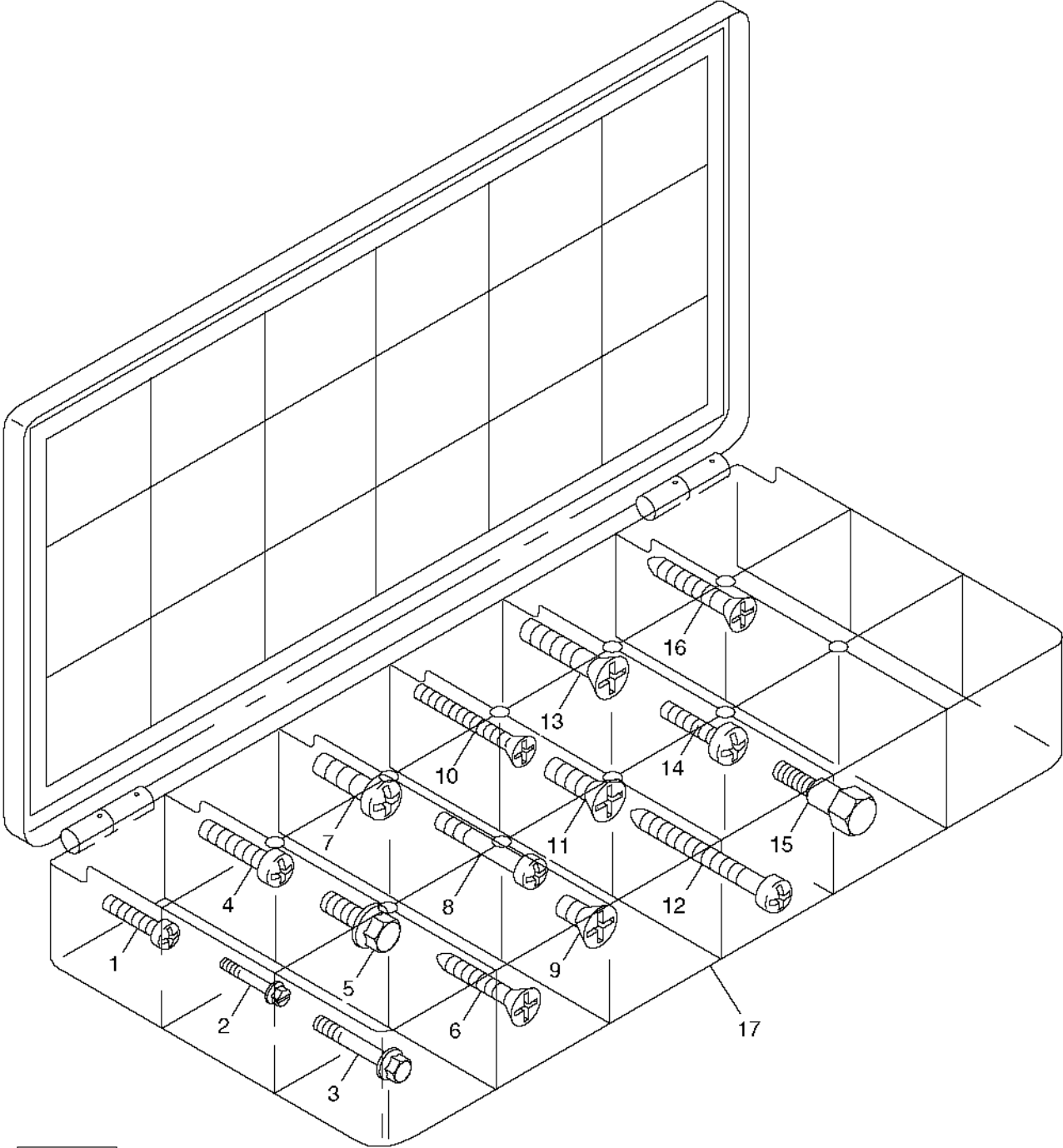
OPERATOR'S STATION

HEATER SYSTEM - CONTINUED

KEY	PART NO.	PART NAME	QTY	SERIAL NO.	REMARKS
1	15H200	ELBOW FITTING	1	-650292	(SUB 15H602)
	15H602	ELBOW FITTING	1		
2	14M7296	FLANGE NUT	1		M10
3	AR21837	CLAMP	11	-631400	
	AR21837	CLAMP	7	631401-660319	(SUB TY22465)
	TY22465	HOSE CLAMP	7		
4	TY22330	BULK HOSE	5	-631400	(SUB R45847) (SUB FOR (5) TY22330) CUT TO; 2100 MM (83") FOR CAB, 1600 MM (63") FOR 6359 ENGINE,REAR, 3700 MM (146") FOR 6359 ENGINE, FRONT. CUT FROM 5/8" BULK R45847 OR TY22330
	R45847	HOSE	3	631401-	(SUB FOR (3) TY22330)
5	R45847	HOSE	5	-660306	(SUB TY22328) CUT 1600 MM (63") FOR CAB TO VALVE,1100 MM (43") FOR CAB TO HEATER, 1050 MM (41") FROM ENGINE AND 4000 MM (157") FROM 6359 ENGINE TO CAB. (CUT TO LEGNTH)
6	TY22328	BULK HOSE	1		
	H23196	FITTING	1		
7	15H200	ELBOW FITTING	1		
8	15H565	PIPE BUSHING	1		
9	19M7865	SCREW	1		
10	H117952	CLAMP	4		
11	H132922	COTTER PIN	1		
12	H134655	PIN	1		
13	SCREW	1		
14	AH130610	BALL JOINT	1		
15	AH127974	CONTROL VALVE	1		
16	14M7303	FLANGE NUT	1		M6
17	19M7775	SCREW	1		M6 X 16
18	AH130957	EVAPORATOR	1	-635100	HEATER AND EVAPORATOR COMBINATION
	AH132264	EVAPORATOR	1	635101-	HEATER AND EVAPORATOR COMBINATION
19	R50456	GROMMET	1		
20	H36221	GROMMET	1		
21	H81010	BUSHING	1	-660587	
	H153721	COUPLING	1	660588-	
22	H101870	SLEEVE	1	-660587	(SUB H153722)
	H153722	COUPLING	1		
23	14M7298	FLANGE NUT	1		M8
24	H132662	BRACKET	1		
25	19M7866	SCREW	1		M8 X 20
26	AH90990	CLIP	1		
..	H77698	TIE BAND	1	630550-	

5F10

CAB HARDWARE KIT
HP3731 -UN-01SEP99



HP3731

5F11

OPERATOR'S STATION

CAB HARDWARE KIT - CONTINUED

KEY	PART NO.	PART NAME	QTY	SERIAL NO.	REMARKS
1	H110842	SCREW	10		3.5 M X 20
2	H111364	SCREW	10		3.5 M X 12
3	H111705	SCREW	10		5.5 M X 19
4	H111706	SCREW	10		4.2 M X 16
5	H114038	SCREW	5		6.480 M X 12
6	H119088	SCREW	10		4.2 M X 25
7	H123995	SCREW	10		6.480 M X 18
8	H128859	SCREW	5		4.826 X 22.280 MM (0.190" X 0.877")
9	H130192	SCREW	5		M6 X 12
10	H130194	CAP SCREW	10		M4 X 30
11	H130195	SCREW	5	-665355	M5 X 12
	H158579	SCREW	4	66536-	M5 X 12
12	H130298	SCREW	3		M5 X 40
13	H165691	SCREW	10		M6 X 20, (SUB FOR H131591 OR H168780)
14	37M7182	SCREW	10		4.8 M X 19
15	H131424	BOLT	3		M6 X 20.750
16	H132899	SCREW	5		4.2 M X 25
17	AH133088	KIT	1		

MEMORANDA

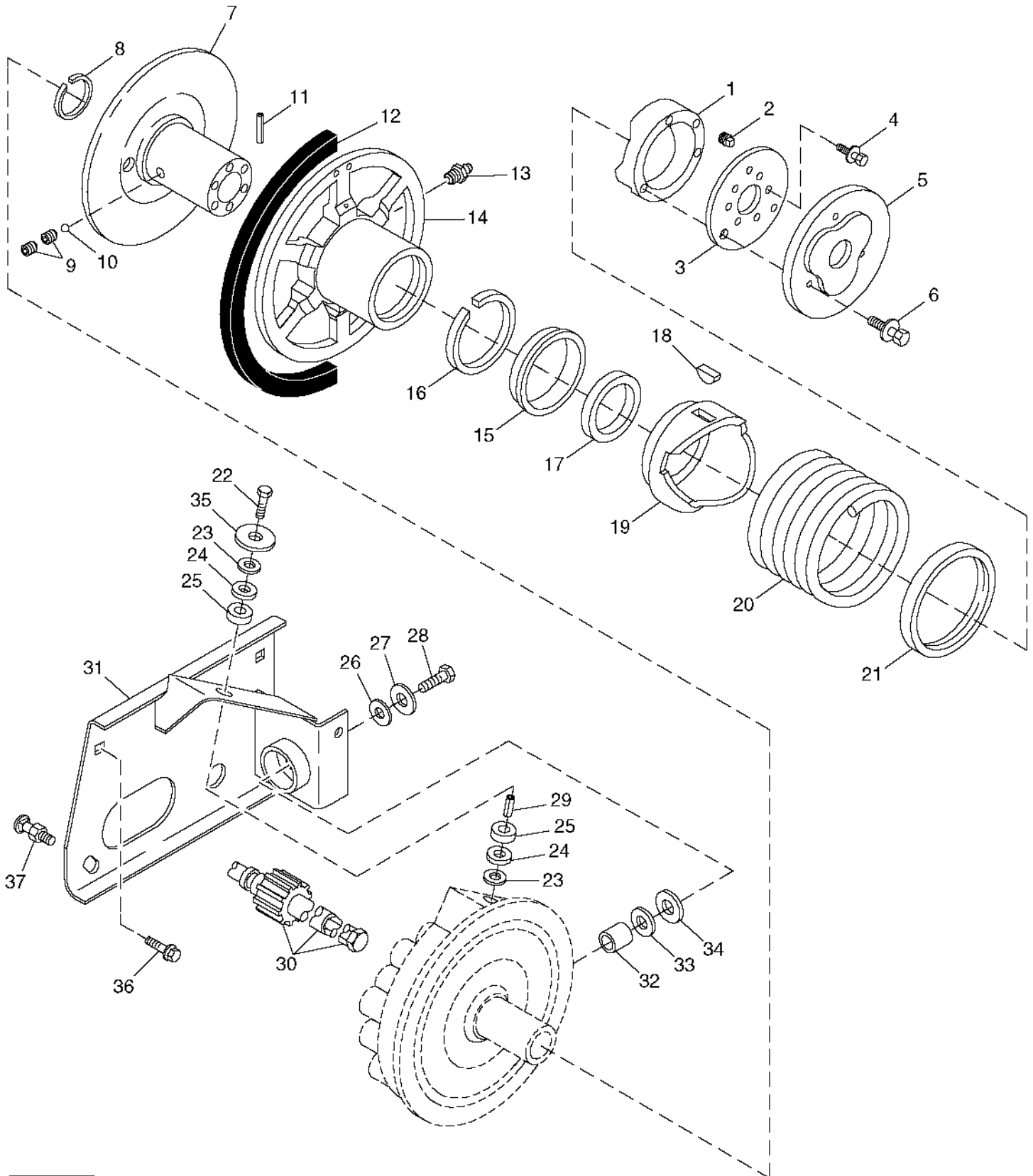
MEMORANDA

5F14

FEEDER HOUSE

FRONT VARIABLE DRIVE SHEAVE AND MOUNTINGS

HP9316 -UN-08DEC99



HP9316

5F15

FEEDER HOUSE

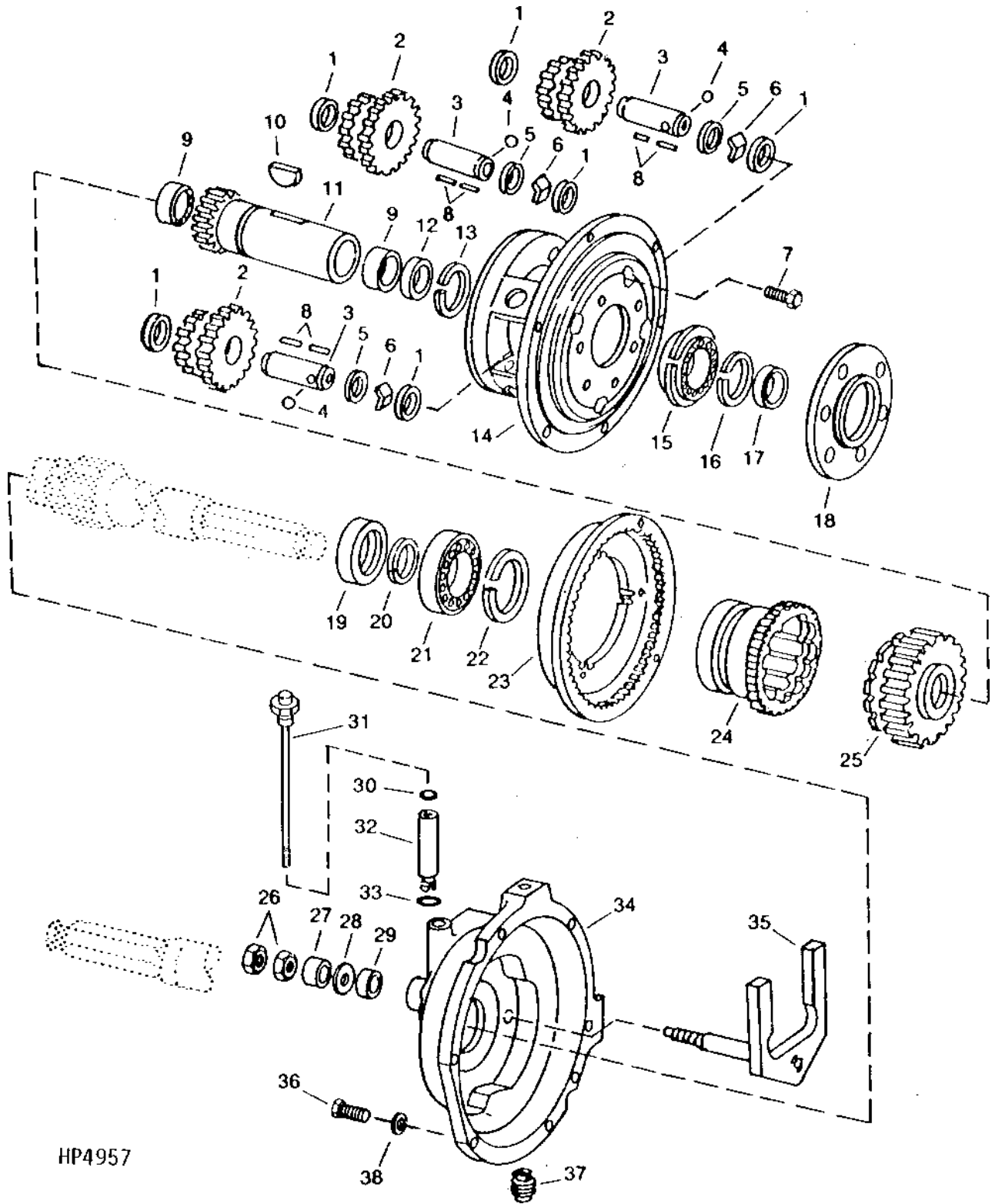
FRONT VARIABLE DRIVE SHEAVE AND MOUNTING - CONTINUED

KEY	PART NO.	PART NAME	QTY	SERIAL NO.	REMARKS
1	CAM	1		(ORDER AH138751) OUTER
2	32243	PLUG	1		
3	H107793	WASHER	1		
4	19H1936	CAP SCREW	6		3/8" X 3/4"
	12H304	LOCK WASHER	6		3/8"
5	H155459	RETAINER	1		(SUB FOR H93368)
6	19H3034	CAP SCREW	3		3/8" X 3"
	12H304	LOCK WASHER	3		3/8"
7	H108673	SHEAVE	1		
8	B3118R	SNAP RING	1		
9	22H775	SET SCREW	2		5/16" X 1/4"
10	H110922	BALL	1		0.236"
11	34H305	SPRING PIN	1		7/32" X 2"
12	H125711	BELT	1		
13	JD7759	LUBRICATION FITTING	2		
14	H107735	SHEAVE	1		
15	H97308	SNAP RING	1		
16	H110728	RETAINER	1		
17	AH108161	SEAL	1		
18	26H104	SHAFT KEY	1	670410-	5/16" X 2-1/8"
19	CAM	1		(ORDER AH138751) INNER
20	H92260	SPRING	1		
21	AH96345	SEAL	1		
22	19H1863	CAP SCREW	1		5/8" X 3"
23	P50456	WASHER	2		
24	H148132	BUSHING	2		(SUB FOR H80197)
25	H148133	RETAINER	2		(SUB FOR H78856)
26	T55761	SUPPORT	1		
27	R20136	WASHER	1		
28	19H1950	CAP SCREW	1		5/8" X 3-3/4"
29	H148134	SPACER	1		16.130 X 19.930 X 41.900 MM, (SUB FOR H85482)
30	AH97642	SHAFT	1		
	AH136873	SHAFT	1	660101-31JA00	CONTOUR MASTER
	AH152937	SHAFT	1		CONTOUR MASTER (USE WITH AH149349 (DRIVE SPROCKET) AND H170634 (TONE WHEEL)) (SUB FOR AH139919 OR AH130175)
31	AH144099	SUPPORT	1		
32	H95417	SPACER	1		
33	H97410	WASHER	1		
34	R62502	SUPPORT	1		
35	24M7241	WASHER	1	640189-	
36	14M7296	FLANGE NUT	5		M10
37	03M7191	BOLT	5		M10 X 25
..	T43512	SEALANT	1	-640100	50 ML SIZE (CANADA PART NO. TY9477)
..	TY15969	ADHESIVE	1		
..	TY6333	GREASE	1		14 OZ. TUBE
..	AH138751	KIT	1		

5F16

FEEDER HOUSE

REVERSER GEAR BOX
HP4957 -UN-01JAN94



HP4957

5F17

FEEDER HOUSE

REVERSER GEAR BOX - CONTINUED

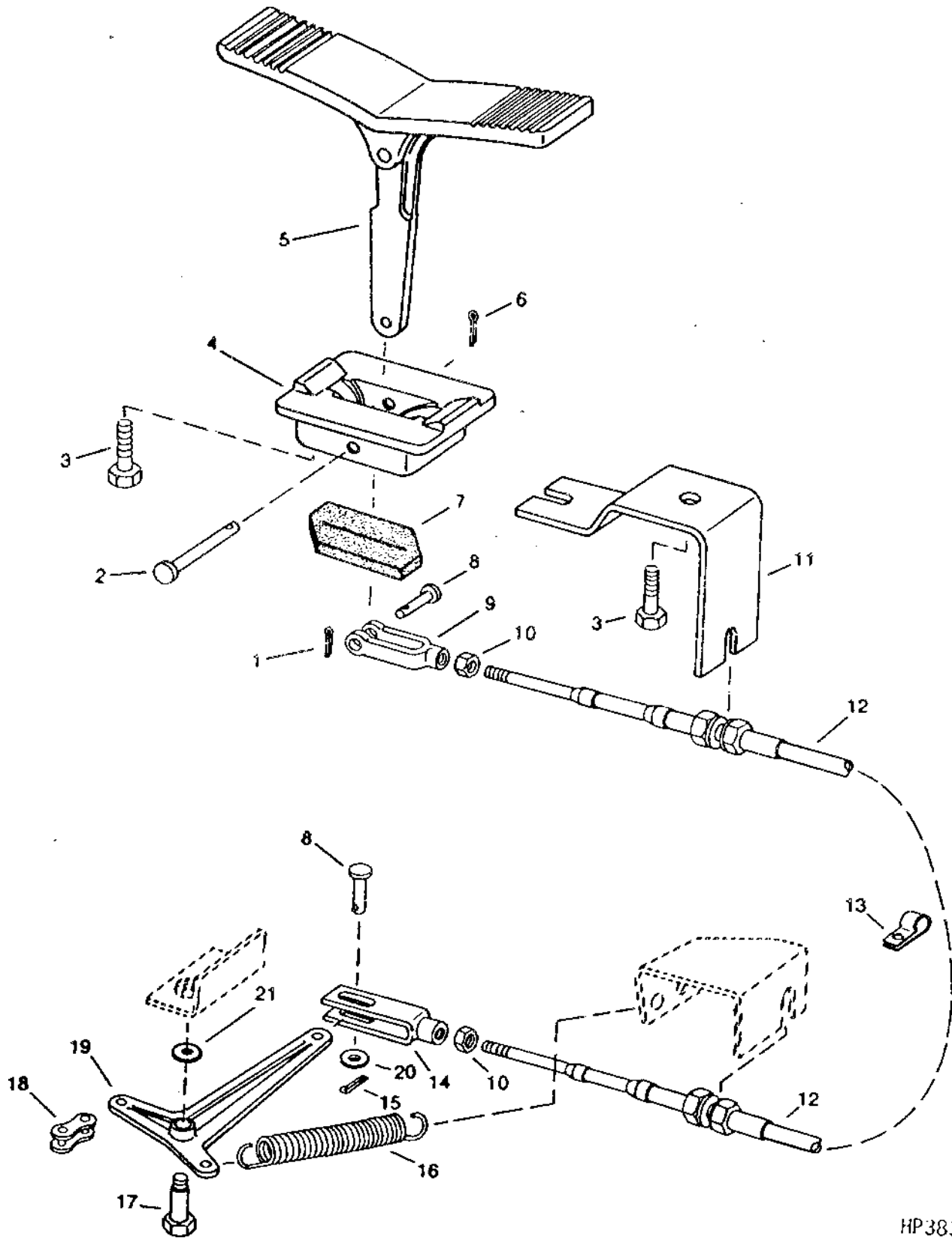
KEY	PART NO.	PART NAME	QTY	SERIAL NO.	REMARKS
1	R66197	THRUST WASHER	6		(SUB FOR H105912)
2	AH106618	PINION	3		
3	R33079	PIN	3		
4	H871R	BALL	3		
5	R33088	WASHER	3		
6	H89617	SPACER	3		
7	19H1936	CAP SCREW	6		3/8" X 3/4"
8	R33058	NEEDLE ROLLER	186		(6 SETS OF 31)
9	JD8819	NEEDLE BEARING	2		
10	26H41	SHAFT KEY	2		5/16" X 2-1/8"
11	H105909	GEAR	1		INPUT
12	E53699	SEAL	1		
13	B3118R	SNAP RING	1		
14	H149504	COVER	1		(SUB FOR H98906)
15	JD10010	BALL BEARING	1		(WITH SNAP RING)
16	R39081	SNAP RING	1		
17	R35643	SEAL	1	-640684	
	RE37626	SEAL	1	640685-655249	
	AH144715	SEAL	1		
18	H150662	BEARING HOUSING W/O BEARING	1		(SUB FOR H105353 OR H146585)
19	AN12151	SEAL	1	-640684	
	AH140185	SEAL	1	640685-	
20	N71922	SNAP RING	1		
21	JD10011	BALL BEARING	1		
22	BP13620	SNAP RING	1		
23	AH105040	GEAR	1		
24	H132328	SHIFT COLLAR	1		
25	H106073	GEAR	1		OUTPUT
26	14H832	NUT	2		9/16"
27	28H2499	BUSHING	1		
28	24H1378	WASHER	1		11/16" X 1-15/32" X 0.134"
29	AN113330	SEAL	1		
30	R26906	O-RING	1		
31	AH140615	INDICATOR LIGHT	1		(SUB FOR AH134599)
32	H140195	SPACER	1		
33	R26375	O-RING	1		
34	AH159233	HOUSING	1		(SUB FOR H129180, H146951, H149174 OR H149593)
35	AH93110	SHIFTER	1		
36	19H1731	CAP SCREW	6		3/8" X 1"
37	AN31004	PIPE PLUG	1		
38	12H304	LOCK WASHER	6		3/8"
..	T43512	SEALANT	1	-640100	50 ML SIZE (CANADA PART NO. TY9477)
..	TY15130	SEALANT	1		3 OZ. SIZE
..	AH134864	CASE	1		
..	AH153341	GEAR CASE	1		USE WITH AH149349 (DRIVE SPROCKET) AND H170634 (TONE WHEEL) (SUB FOR AH156049 OR AH145314) CONTOUR MASTER

5F18

FEEDER HOUSE

FEEDER HOUSE REVERSER FOOT CONTROL

HP3833 -UN-01JAN94



HP3833

5F19

FEEDER HOUSE

FEEDER HOUSE REVERSER FOOT CONTROL - CONTINUED

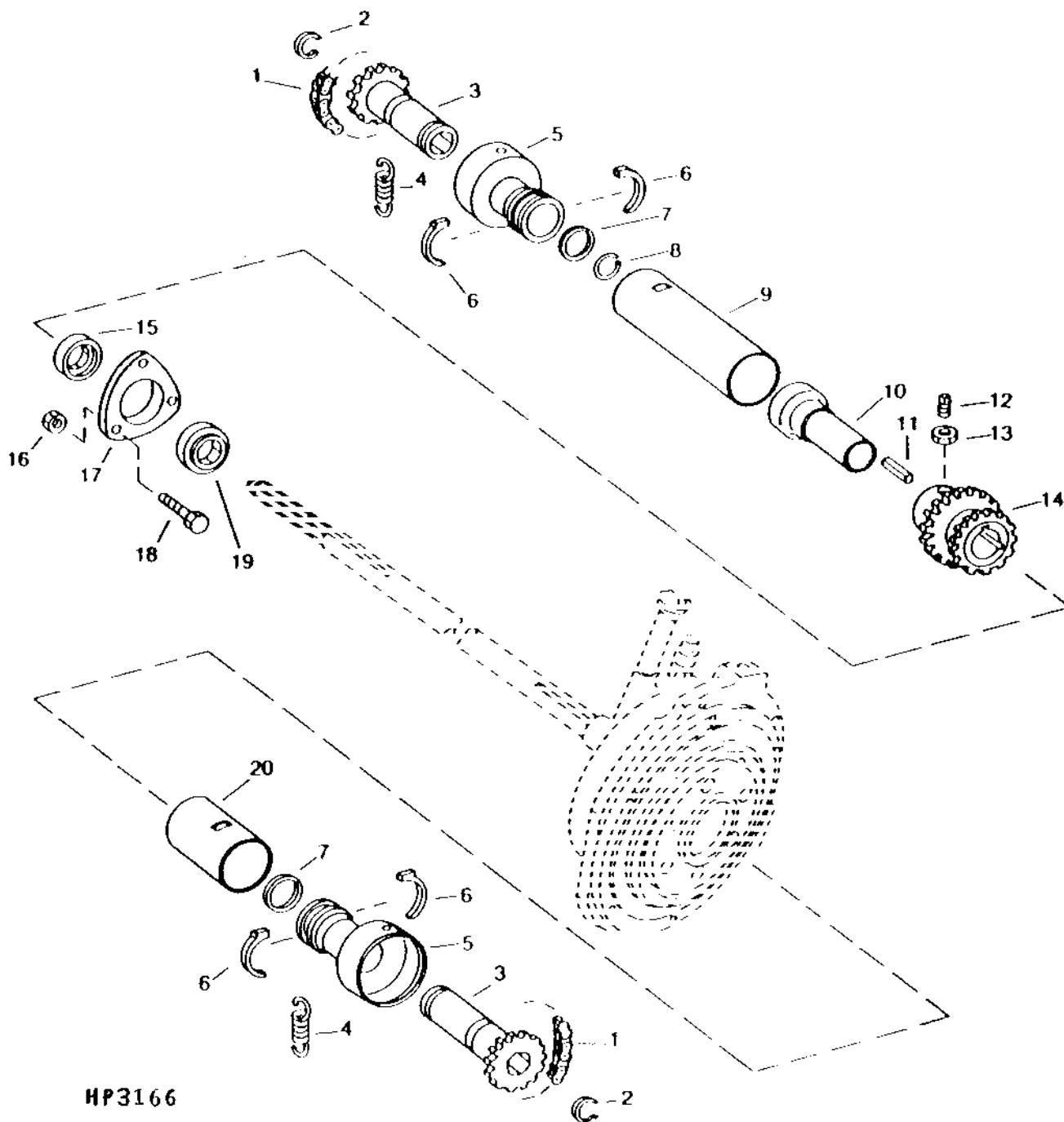
KEY	PART NO.	PART NAME	QTY	SERIAL NO.	REMARKS
1	11M7082	COTTER PIN	1		
2	R65569	PIN	1		2.500 X 25 MM
3	19M7866	SCREW	4		M8 X 20
4	H134489	BEZEL	1		
5	H134488	PEDAL	1		
6	11M7081	COTTER PIN	1		2.500 X 20 MM
7	H133210	SEAL	1		
8	T16193	PIN	1		6.248 X 29.362 MM (0.246" X 1-5/32")
9	H130646	YOKE	1		
10	14M7273	NUT	2		
11	H133208	SUPPORT	1		
12	AH128452	PUSH PULL CABLE	1		
13	R73384	CLAMP	1		
14	AH127383	YOKE	1		
15	11M7082	COTTER PIN	1		2.500 X 25 MM
16	H84948	SPRING	1		
17	H127749	BOLT	1		
18	AE23791	CHAIN LINK	1		
19	H140836	BELLCRANK	1		(SUB FOR H127747)
20	24M7054	WASHER	1		6.400 X 12 X 1.600 MM
21	24M7047	WASHER	1		13 X 24 X 2.500 MM

5F20

FEEDER HOUSE

FRONT SHAFT WITH REVERSER (VARIABLE)

HP3166 -UN-21JUL95



HP3166

5F21

FEEDER HOUSE

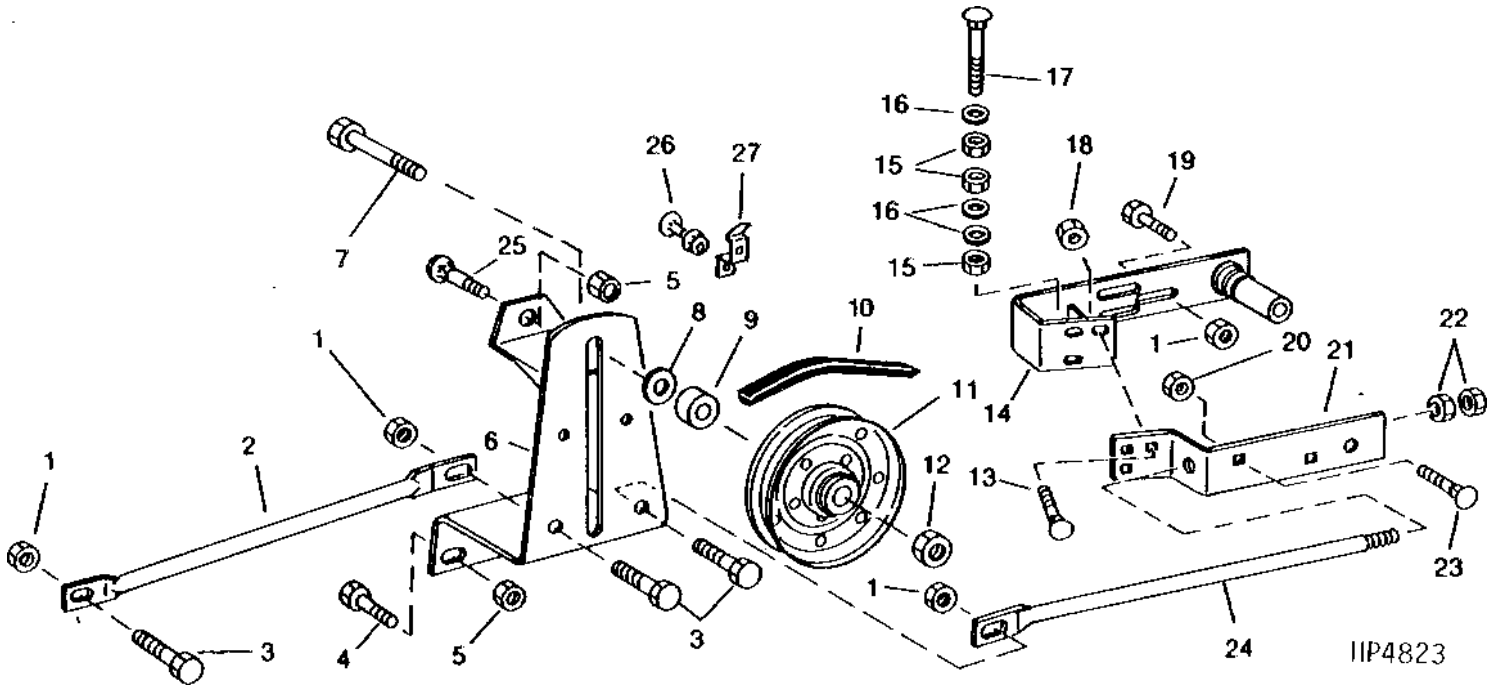
FRONT SHAFT WITH REVERSER (VARIABLE) - CONTINUED

KEY	PART NO.	PART NAME	QTY	SERIAL NO.	REMARKS
1	AN102383	LINK CHAIN	2		
2	H80926	SNAP RING	2		
3	AN102382	CHAIN SPROCKET	2		14 TOOTH
4	H128118	SPRING	2		
5	H148818	QUICK COUPLER	2		(SUB FOR AH125783)
6	E62951	UNIVERSAL JOINT BEARING	4		
7	H25360	SNAP RING	2		
8	H28865	SNAP RING	1		
9	H127604	TUBE	1		
10	AH122495	SHIELD	1		
11	M73000	SHAFT KEY	1		
12	H138435	SET SCREW	2		M10 X 25
13	14M7274	NUT	2		M10
14	AH125782	CHAIN SPROCKET	1		22 TOOTH/15 TOOTH
15	JD9201	ECCENTRIC LOCKING COLLAR	1		
16	14M7296	FLANGE NUT	3		M10
17	H93927	HOUSING	1		
18	03M7192	BOLT	3	-670100	M10 X 30
	03M7193	BOLT	3		M10 X 35
19	JD9202	BALL BEARING	1		
20	H127603	TUBE	1		

5F22

FEEDER HOUSE

VARIABLE SPEED DRIVE TIGHTENER
HP4823 -UN-01JAN94



5F23

FEEDER HOUSE

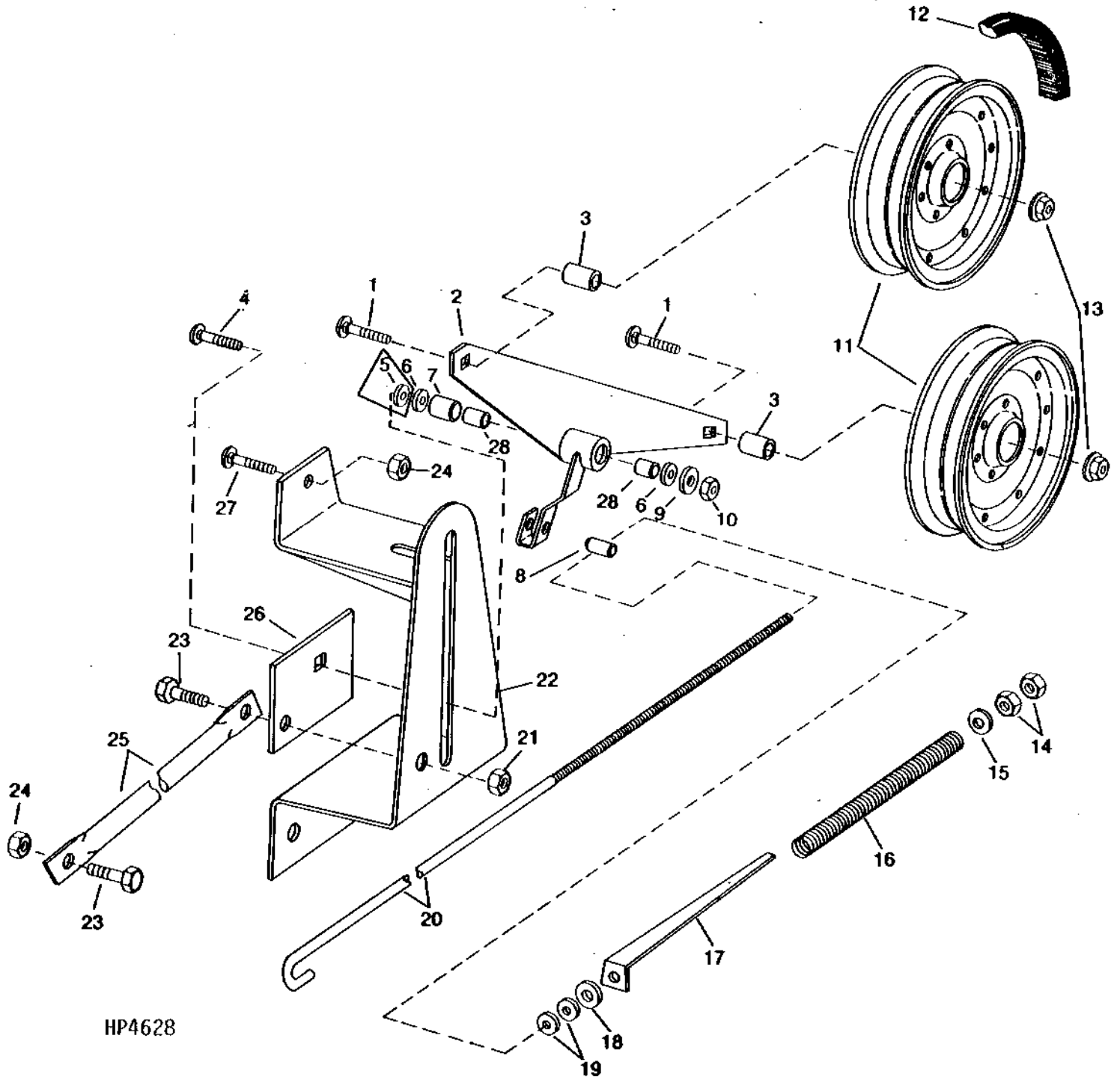
VARIABLE SPEED DRIVE TIGHTENER - CONTINUED

KEY	PART NO.	PART NAME	QTY	SERIAL NO.	REMARKS
1	14M7299	FLANGE NUT	6		M12
2	H126371	BRACE	1		
3	19M7789	SCREW	3		M12 X 30
4	19M7789	SCREW	2		M12 X 30
5	14M7299	FLANGE NUT	3		M12
6	AH139295	BRACKET	1		(SUB FOR AH130565)
7	19M7845	SCREW	1		M16 X 90
8	24H1698	WASHER	1		21/32" X 1-5/8" X 1/4"
9	H113892	SHIFT COLLAR	1		
10	H161648	BELT	1	5JAN98-	(SUB FOR H125711)
11	AH94450	IDLER	1		
12	14M7291	FLANGE NUT	1		M16
13	03M7192	BOLT	3		M10 X 30
14	AH120972	SUPPORT	1		
15	14H821	NUT	3		5/8"
16	24M7053	WASHER	3		17 X 30 X 3 MM
17	03H2308	BOLT	1		5/8" X 3-1/4"
18	14M7296	FLANGE NUT	3		M10
19	19M7790	SCREW	3		M12 X 35
20	14M7298	FLANGE NUT	2		M8
21	H134087	STRAP	1		
22	14M7277	NUT	2		M20
23	03M7185	BOLT	2		M8 X 25
24	AH142407	BRACE	1		(SUB FOR AH128649)
25	03M7197	BOLT	1	-640194	M12 X 25
	03M7198	BOLT	1	640195-	M12 X 30
26	03M7183	BOLT	1		M8 X 16
	14M7298	FLANGE NUT	1		M8
27	H136336	HOSE CLAMP	1		

5F24

FEEDER HOUSE

FIXED SPEED FEEDER HOUSE DRIVE TIGHTENER
HP4628 -UN-01JAN94



HP4628

5F25

FEEDER HOUSE

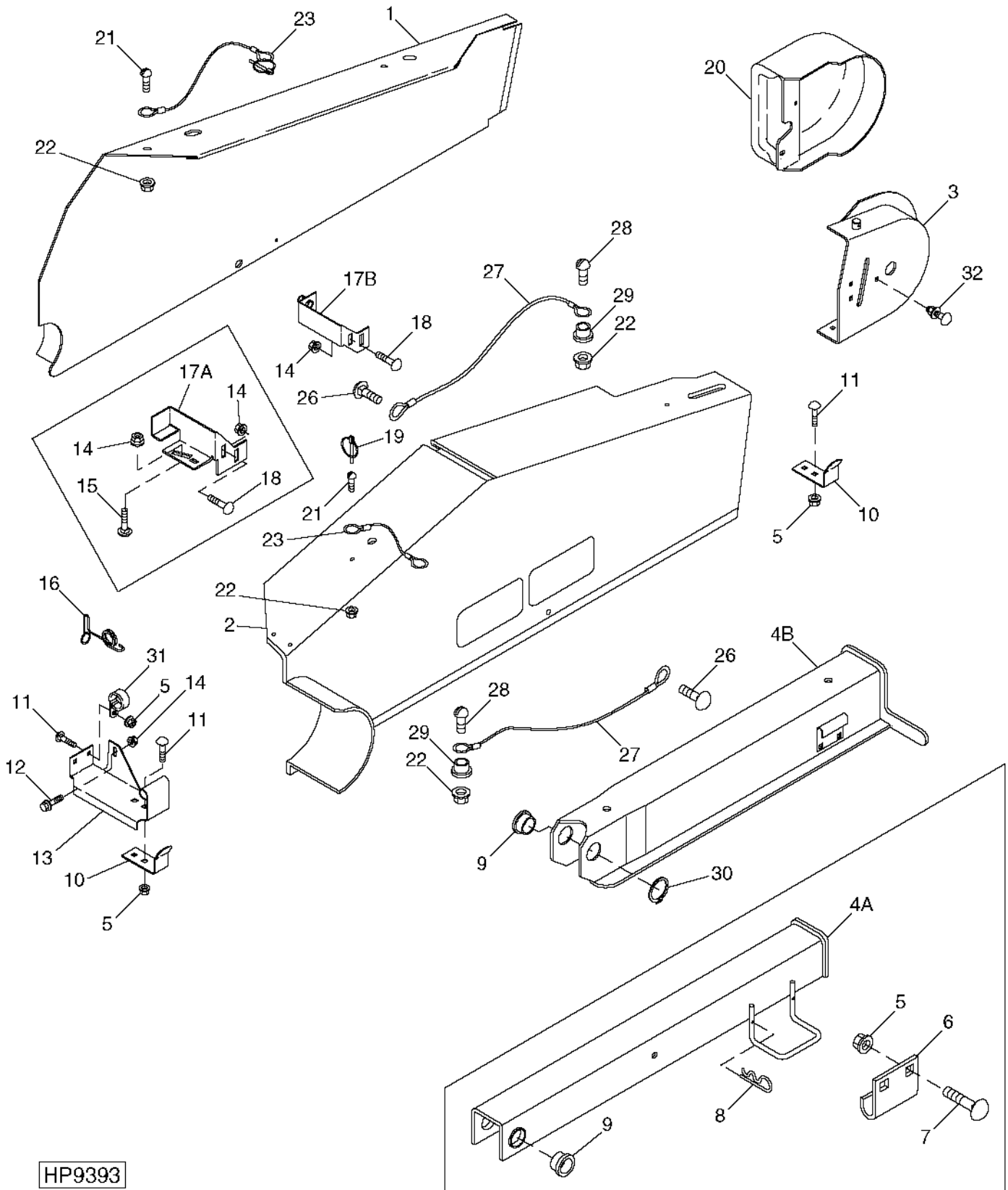
FIXED SPEED FEEDER HOUSE DRIVE TIGHTENER - CONTINUED

KEY	PART NO.	PART NAME	QTY	SERIAL NO.	REMARKS
1	03M7211	BOLT	2		M16 X 70
2	AH97340	ARM	1		
3	M2952DN	SPACER	2	-660151	16.662 X 25.400 X 11.125 MM (21/32" X 1" X 7/16") (SUB L1730N)
	L1730N	BUSHING	2		16.662 X 25.400 X 12.700 MM (21/32" X 1" X 1/2")
4	03M7248	BOLT	1		M12 X 90
5	T20217	WASHER	1	-640100	0.510" X 1.730" X 1/4"
6	24H1413	WASHER	2		57/64" X 1-3/8" X 0.048"
7	H89297	BUSHING	1		
8	H132825	PIVOT	1		
9	24H1748	WASHER	1		1/2" X 1-1/4" X 0.105"
10	A31867	LOCK NUT	1		
11	AH94450	IDLER	2		
12	H126345	BELT	1		
13	14M7291	FLANGE NUT	2		M16
14	14M7275	NUT	2		M12
15	24H1789	WASHER	1		17/32" X 1-1/4" X 0.105"
16	A25695	SPRING	1		
17	H95499	GAUGE	1		
18	24H1748	WASHER	1		
19	24M7240	WASHER	2		13 X 25 X 3 MM
20	H126346	BOLT	1		
21	14M7299	FLANGE NUT	1		M12
22	AH139295	BRACKET	1		(SUB FOR AH130565)
23	19M7789	SCREW	2		M12 X 30
24	14M7299	FLANGE NUT	2		M12
25	H126371	BRACE	1		
26	H126370	REINFORCEMENT	1		
27	03M7197	BOLT	1	-640291	M12 X 25
	03M7198	BOLT	1	640292-	M12 X 30
28	H98655	BUSHING	2		

5G1

FEEDER HOUSE

FEEDER HOUSE DRIVE SHIELDS AND SAFETY STOP
HP9393 -UN-28JAN00



HP9393

FEEDER HOUSE DRIVE SHIELDS AND SAFETY STOP - CONTINUED

KEY	PART NO.	PART NAME	QTY	SERIAL NO.	REMARKS
1	AH130894	SHIELD	1	-640100	R.H.
	AH156377	SHIELD	1	29SEP7-	(SUB FOR AH151302, AH138092 OR AH141807) R.H.
	AH160053	SHIELD	1	5JAN98-	(SUB FOR AH155737) R.H., LL
	AH160054	SHIELD	1	5JAN98-	(SUB FOR AH155736) R.H., LT
2	AH156406	SHIELD	1		(SUB FOR AH130545, AH134824 OR AH153819) L.H.
3	AH156066	SHIELD	1		(SUB FOR AH130176 OR AH134826)
4A	AH143871	STOP	1	-650517	(SUB FOR AH128447 OR AH141152)
4B	AH157492	STOP	1	650518-	(SUB FOR AH144030)
5	14M7298	FLANGE NUT	8		M8
6	H150055	SUPPORT	1	-650517	
7	03M7183	BOLT	2		M8 X 16
8	A15146	SPRING LOCKING PIN	1	-655100	NO LONGER USED
9	H150054	BUSHING	2		(SUB FOR H135407)
10	H140122	CLIP	2		
11	03M7184	BOLT	6	-670100	M8 X 20
	03M7183	BOLT	6		M8 X 16
12	19M7785	SCREW	1	-670100	M10 X 25
	19M7784	SCREW	1		M10 X 20
13	H134085	BRACKET	1		
14	14M7296	FLANGE NUT	4		M10
15	03M7191	BOLT	1	-640100	M10 X 25
16	H127781	SPRING	1	-640100	
17A	H134733	BRACKET	1	-640100	
17B	AH136358	RETAINER	1	640101-29SEP7	
18	03M7190	BOLT	2		M10 X 20
19	M72598	QUICK LOCK PIN	4		
20	H146766	POWERSHAFT SHIELD	1		(SUB FOR AH139352)
21	21M7125	SCREW	2		M8 X 25
22	14M7298	FLANGE NUT	4		M8
23	AH135290	QUICK LOCK PIN	2	640101-	
24	H137939	LABEL	1	640101-	HARNES AND HOSE STORAGE
	H149063	LABEL	2	2JUN97-	SERVICE ONLY
25	H126397	LABEL	1	640101-	VARIABLE SPEED DRIVE
	H164537	SIGN	2	29SEP7-	SERVICE ONLY
26	03M7186	BOLT	2		M8 X 30
27	AH134121	CABLE	2	640101-	(USE WITH R73290)
28	21M7125	SCREW	2		M8 X 25
29	M93425	SPACER	2	640101-	
30	40M7058	SNAP RING	2		(SUB FOR Z56747 OR H150454)
31	AH89486	CLIP	1		
32	03M7185	BOLT	2	670410-	
	14M7298	FLANGE NUT	2	670410-	
..	BH81390	COMPLETE GOODS/SHIP. BUNDLE	1		NARROW FEEDER HOUSE
..	BH81446	COMPLETE GOODS/SHIP. BUNDLE	1		NARROW FEEDER HOUSE, CONTOUR MASTER

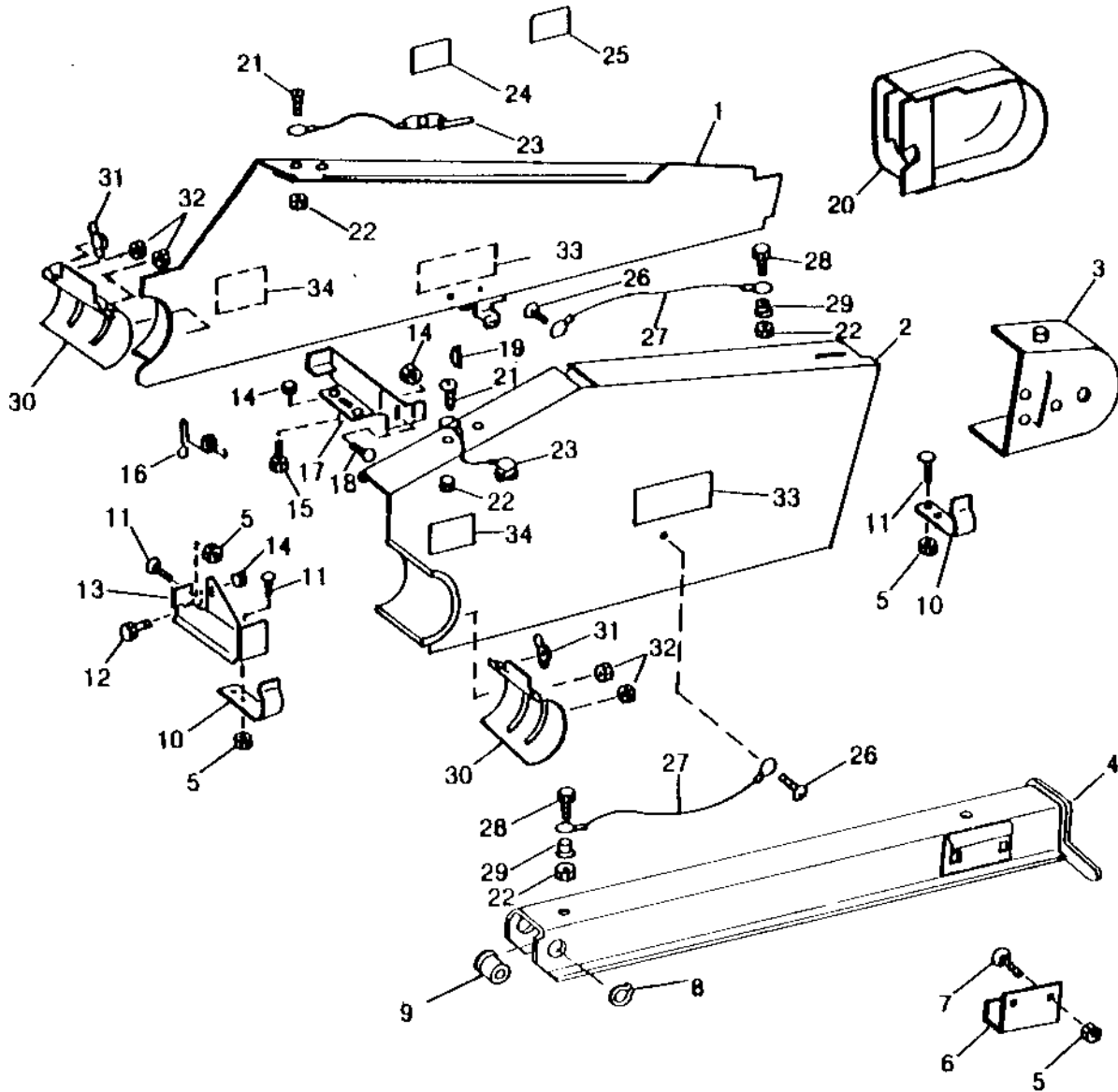
5G3

FEEDER HOUSE

FEEDER HOUSE DRIVE SHIELDS AND SAFETY STOP - CONTOUR MASTER

(660101-660245)

HP6245 -UN-04JAN96



HP6245

5G4

FEEDER HOUSE

FEEDER HOUSE DRIVE SHIELDS AND SAFETY STOP - CONTOUR MASTER - CONTINUED
(660101-660245)

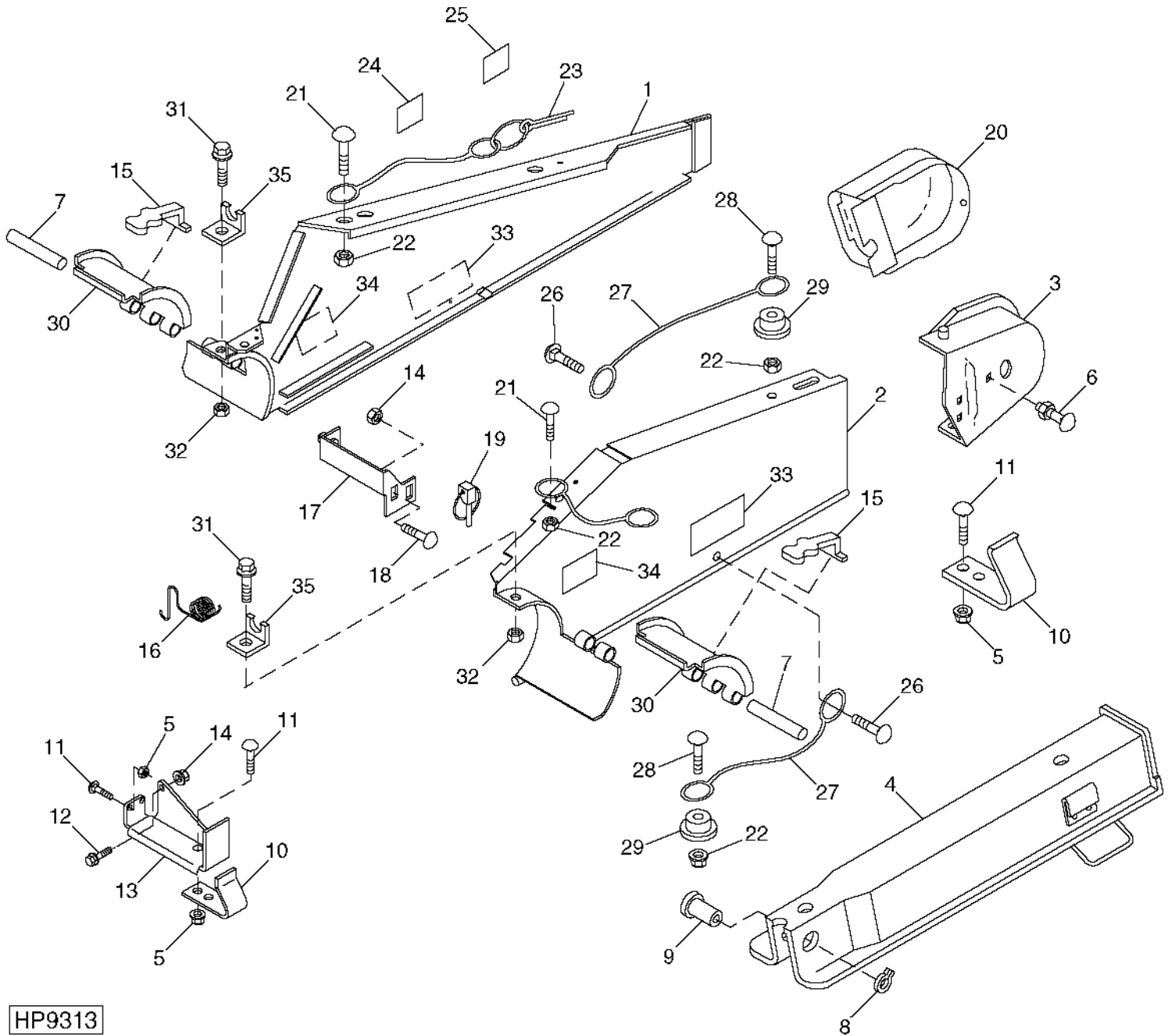
KEY	PART NO.	PART NAME	QTY	SERIAL NO.	REMARKS
1	AH146197	SHIELD	1		(SUB FOR AH145631) R.H.
2	AH146198	SHIELD	1		(SUB FOR AH145580) L.H.
3	AH134826	SHIELD	1		
4	AH144030	STOP	1		
5	14M7298	FLANGE NUT	8		M8
6	H150055	SUPPORT	1		
7	03M7183	BOLT	2		M8 X 16
8	40M7058	SNAP RING	1		(SUB FOR H150454)
9	H150054	BUSHING	2		
10	H140122	CLIP	2		
11	03M7184	BOLT	6	-670100	M8 X 20
	03M7183	BOLT	6		M8 X 16
12	19M7785	SCREW	1	-670100	M10 X 25
	19M7784	SCREW	1		M10 X 20
13	H134085	BRACKET	1		
14	14M7296	FLANGE NUT	4		M10
15	03M7191	BOLT	1		
16	H127781	SPRING	1		
17	AH136358	RETAINER	1	-29SEP7	
18	03M7190	BOLT	2		M10 X 20
19	M72598	QUICK LOCK PIN	4	-660100	
20	H146766	POWERSHAFT SHIELD	1		R.H.
21	21M7125	SCREW	3		M8 X 25
22	14M7298	FLANGE NUT	4		M8
23	AH135290	QUICK LOCK PIN	3		
24	H137939	LABEL	1		(HARNES AND HOSE STORAGE)
25	H126397	LABEL	1		(VARIABLE SPEED DRIVE)
26	03M7186	BOLT	2		M8 X 30
27	AH134121	CABLE	1		(INCLUDES R73290)
28	21M7125	SCREW	2		M8 X 25
29	M93425	SPACER	2		
30	H151757	SHIELD	2		(SUB FOR H150335)
31	14M7020	WING NUT	2		M8
32	19M7396	CAP SCREW	4		M16 X 45
33	H149063	LABEL	2		"DANGER"
34	H150434	LABEL	2		(LUBE)

5G5

FEEDER HOUSE

FEEDER HOUSE DRIVE SHIELDS AND SAFETY STOP - CONTOUR MASTER

(660246-)
HP9313 -UN-19NOV99



HP9313

5G6

FEEDER HOUSE

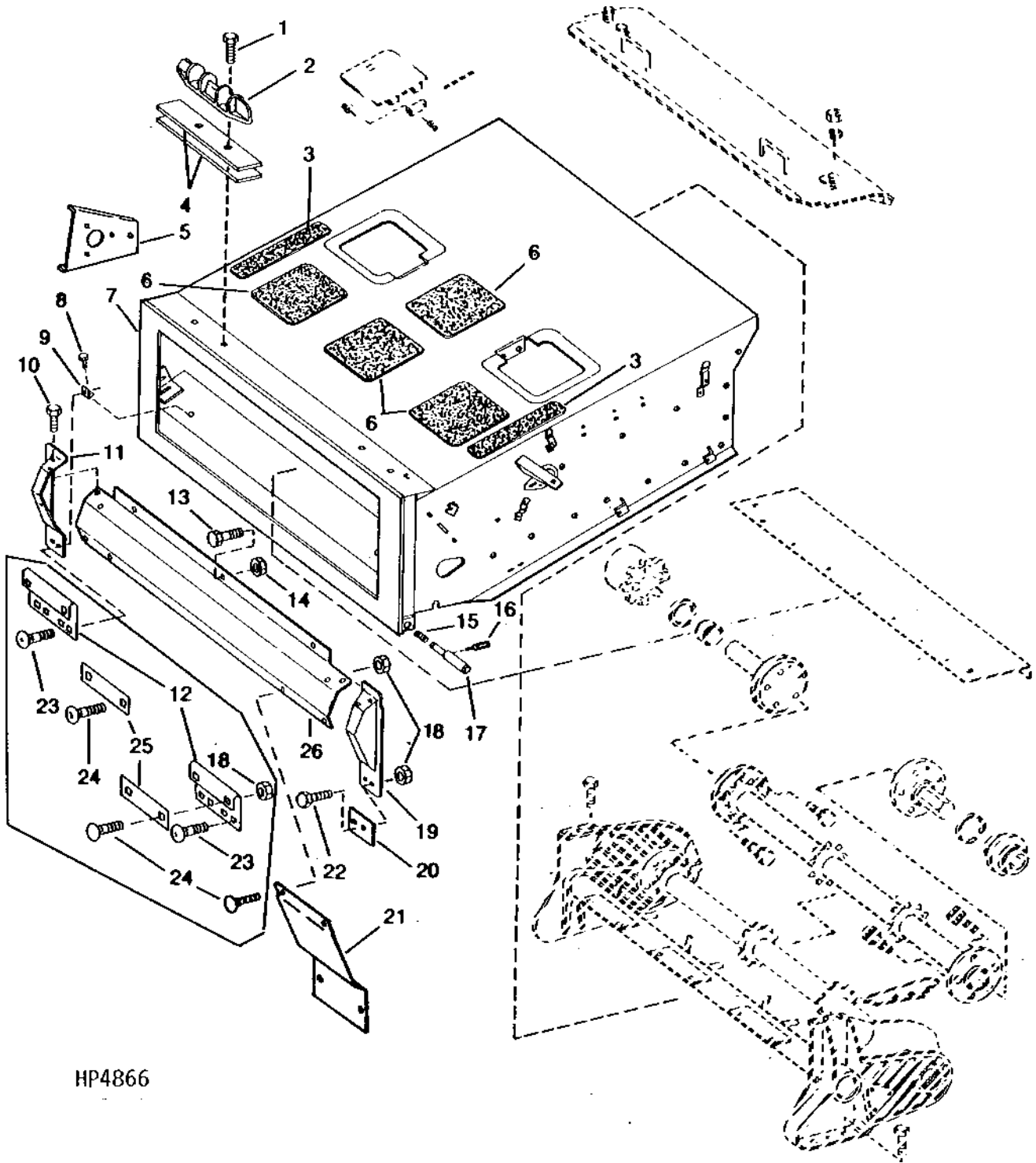
FEEDER HOUSE DRIVE SHIELDS AND SAFETY STOP - CONTOUR MASTER - CONTINUED
(660246-)

KEY	PART NO.	PART NAME	QTY	SERIAL NO.	REMARKS
1	AH156375	SHIELD	1		(SUB AH146197 OR AH151598) R.H.
2	AH156374	SHIELD	1		(SUB FOR AH146198 OR AH149088) L.H.
3	AH156066	SHIELD	1		(SUB FOR AH134826)
4	AH157492	STOP	1	5JAN98-	(SUB FOR AH144030)
5	14M7298	FLANGE NUT	6		M8
6	03M7185	BOLT	2		
	14M7298	FLANGE NUT	1		
7	PIN	2		(MAKE FROM H76083) (CUT TO 6.88 IN. LENGTH)
8	40M7058	SNAP RING	1		
9	H150054	BUSHING	2		
10	H140122	CLIP	2		
11	03M7183	BOLT	6		M8 X 16
12	19M7784	SCREW	1		M10 X 20
13	H134085	BRACKET	1		
14	14M7296	FLANGE NUT	4		M10
15	A44990	LATCH	1		
16	H127781	SPRING	1		
17	AH136358	RETAINER	1		
18	03M7190	BOLT	2		M10 X 20
19	M72598	QUICK LOCK PIN	4	-660100	
20	H146766	POWERSHAFT SHIELD	1		R.H.
21	21M7125	SCREW	3		M8 X 25
22	14M7298	FLANGE NUT	4		M8
23	AH135290	QUICK LOCK PIN	3		
24	H137939	LABEL	1		(HARNESS AND HOSE STORAGE)
25	H126397	LABEL	1		(VARIABLE SPEED DRIVE)
26	03M7186	BOLT	2		M8 X 30
27	AH134121	CABLE	1		(INCLUDES R73290)
28	21M7125	SCREW	2		M8 X 25
29	M93425	SPACER	2		
30	H156379	SHIELD	2	670220-	(SUB FOR H151757)
31	19M7775	SCREW	2		M6 X 16
32	14M7397	LOCK NUT	2		M6
33	H149063	LABEL	2		"DANGER"
34	H150434	LABEL	2		(LUBE)
35	H141549	CLAMP	2		
..	BH81446	COMPLETE GOODS/SHIP. BUNDLE	1		NARROW FEEDER HOUSE, CONTOUR MASTER

5G7

FEEDER HOUSE

FEEDER HOUSE FRAME
HP4866 -UN-01JAN94



HP4866

5G8

FEEDER HOUSE

FEEDER HOUSE FRAME - CONTINUED

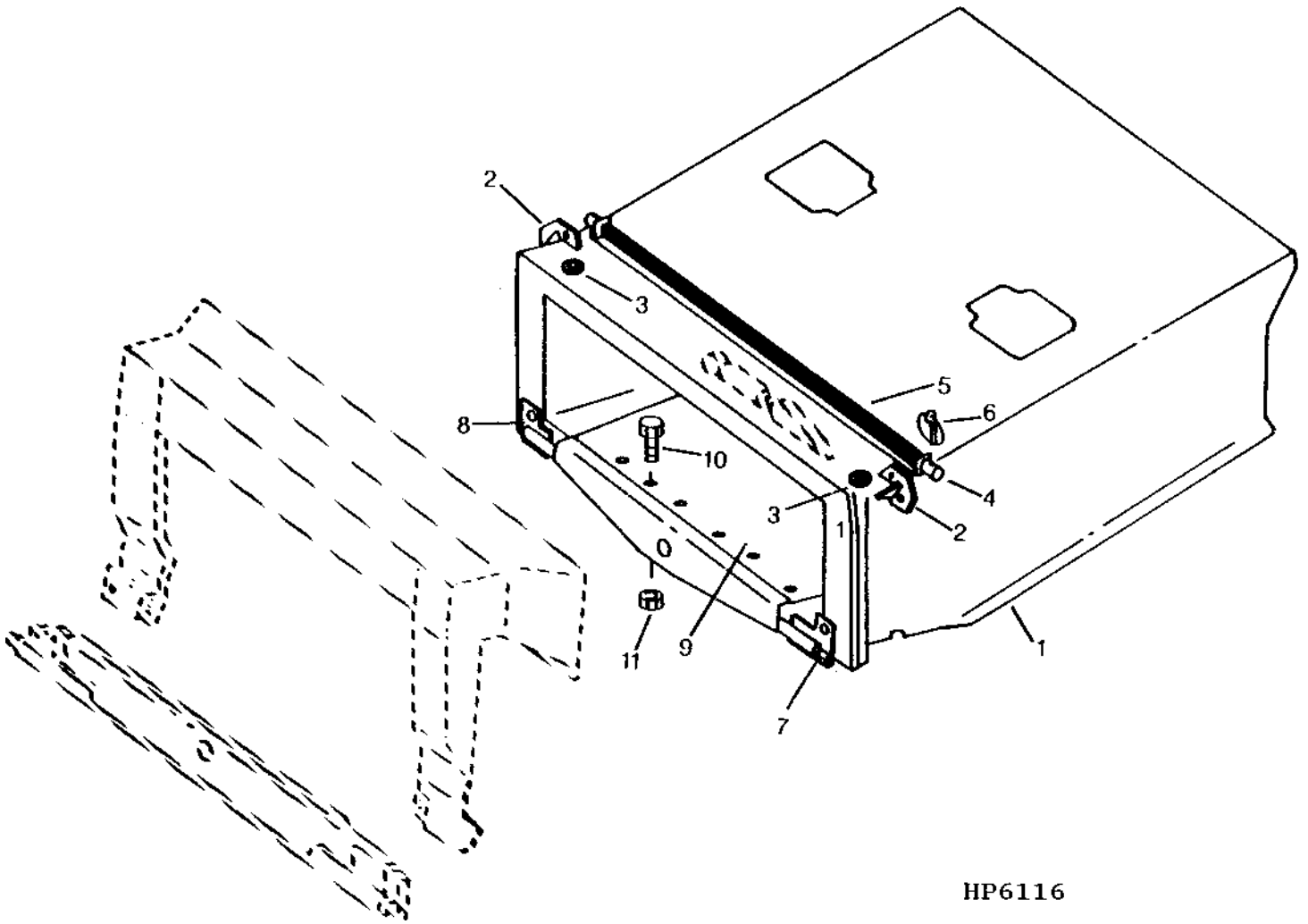
KEY	PART NO.	PART NAME	QTY	SERIAL NO.	REMARKS
1	19M7814	SCREW	4		M12 X 50
2	H159975	BLOCK CLAMP	2		(SUB FOR H159975)
3	H136013	MAT	2	-670198	
	H131743	MAT	1	670199-	
4	H175703	SHIM	4		(SUB FOR H133843)
5	H141835	REINFORCEMENT	2	635101-	
6	H136015	MAT	4		
7	AH139516	FRAME	1		(SUB FOR AH125514 OR AH137831) (INCLUDES H84869)
8	03M7192	BOLT	4		M10 X 30
9	H134896	ANGLE	2		
	H144063	ANGLE	2	-640100	
10	03M7190	BOLT	1		M10 X 20
11	H123636	DEFLECTOR	1		
12	H135941	SUPPORT	2	-640100	(SUB H143407) FOR HEADERS WITH S/N -640250 AND PRIOR
13	19M7784	SCREW	6		M10 X 20
14	14M7296	FLANGE NUT	6		M10
15	124424	SPRING	2		
16	H134140	BOLT	2		
17	H130826	PIN	2		
18	14M7296	FLANGE NUT	4		M10
19	H123637	DEFLECTOR	1		
20	H143407	WEAR PLATE	2	640101-	FOR HEADERS WITH S/N 640250- AND UP
21	H123638	EXTENSION	2		RICE OPT.- REQUIRES TWO MORE H134896
22	19M7784	SCREW	7		M10 X 20
23	03M7191	BOLT	4	-636100	M10 X 25, REMOVED, THIS APPLICATION ONLY
24	03M7190	BOLT	4	-636100	M10 X 20
25	H87765	STRIPPER	2	-640100	(SUB H143407) REMOVED,THIS APPLICATION USED ONLY IF HEADER S/N -640250 AND PRIOR
26	H123633	SHIELD	1		
..	BH79543	COMPLETE GOODS/SHIP. BUNDLE	1		FH EXT - RICE CLOSURE

5G9

FEEDER HOUSE

FEEDER HOUSE SHELL, WEAR PLATES AND SEALS - CONTOUR MASTER

(660101-)
HP6116 -UN-29JUN95



HP6116

5G10

FEEDER HOUSE

FEEDER HOUSE SHELL, WEAR PLATES AND SEALS - CONTOUR MASTER - CONTINUED
(660101-)

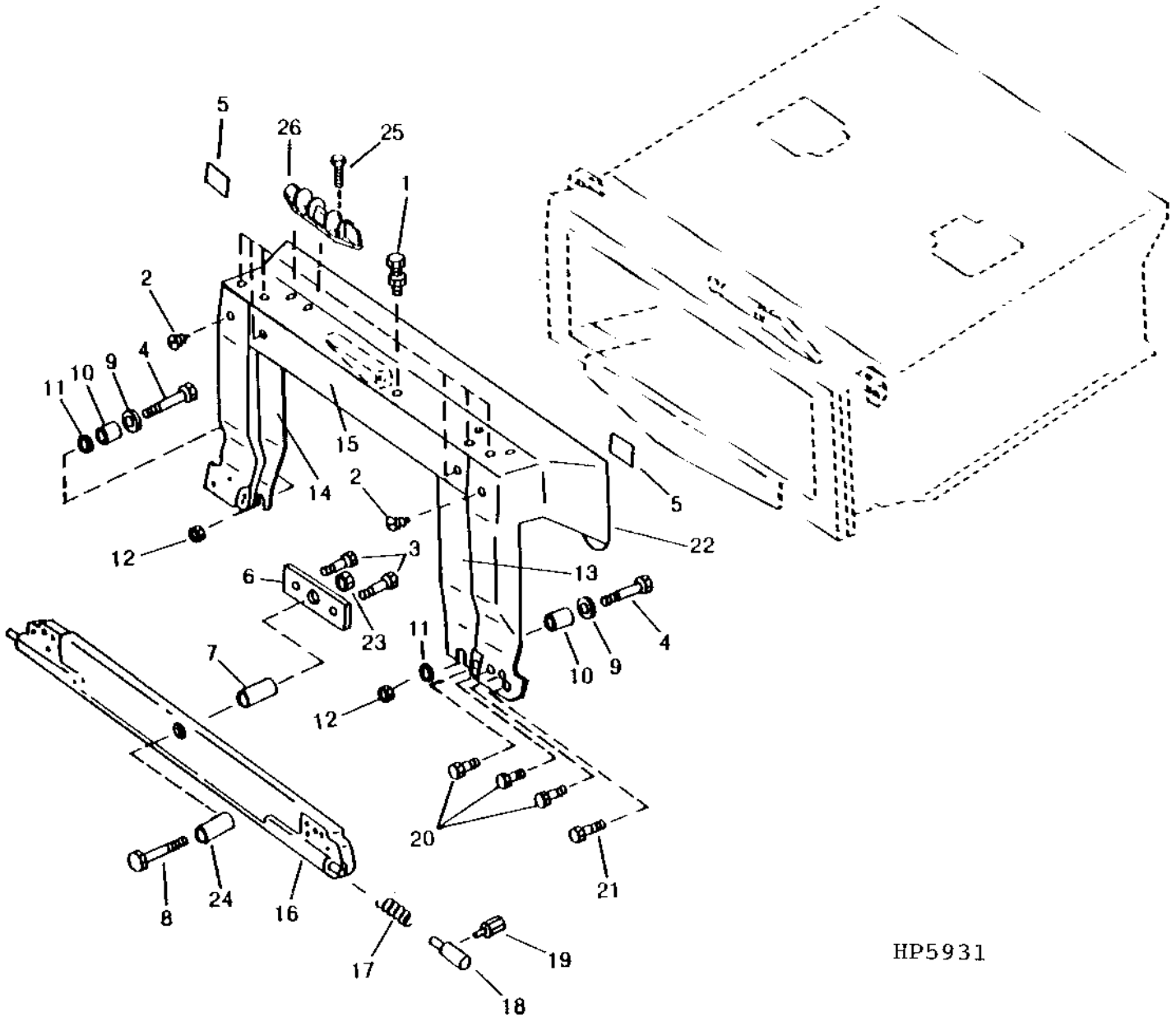
KEY	PART NO.	PART NAME	QTY	SERIAL NO.	REMARKS
1	AH158148	FRAME	1		
2	H149461	WEAR PLATE	2		
3	R495R	O-RING	2		(USE WITH H149461) (FOR RETENTION ONLY)
4	H144825	PIPE	1		(SUB FOR H144825 OR H158973)
5	H148998	SEAL	1		
6	A15147	SPRING LOCKING PIN	2	-660250	
	M72598	QUICK LOCK PIN	2	660251-670100	
	A15147	SPRING LOCKING PIN	2	670101-	
7	H149459	WEAR PLATE	1		L.H. LOWER
8	H149460	WEAR PLATE	1		R.H. LOWER
9	H142861	PLATE	1		
10	03M7184	BOLT	6		M8 X 20
11	14M7298	FLANGE NUT	6		M8

5G11

FEEDER HOUSE

FEEDER HOUSE FRAME, TILT BEAM AND CLOSURE PLATES - CONTOUR MASTER

(660101-)
HP5931 -UN-14FEB95



HP5931

5G12

FEEDER HOUSE

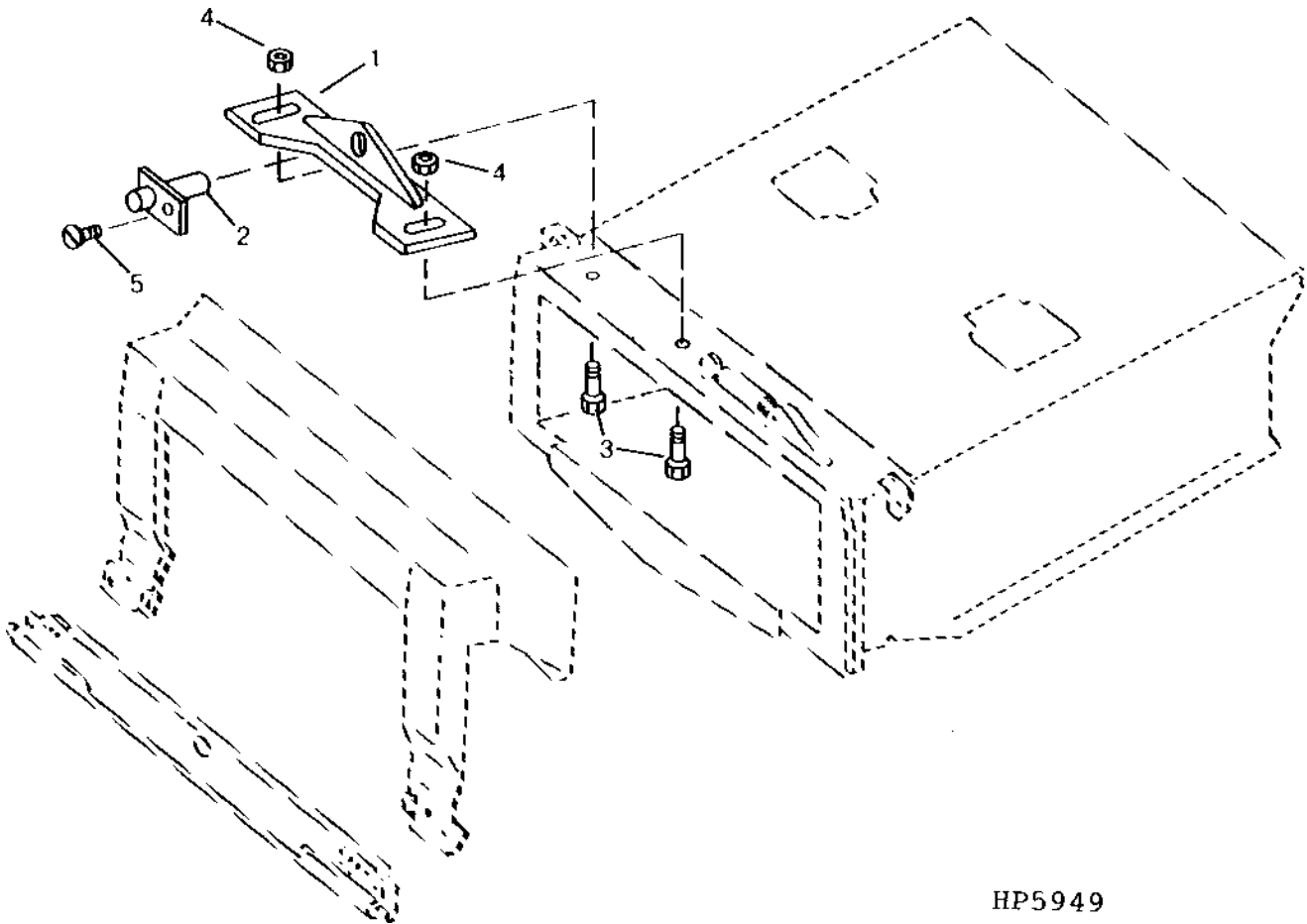
FEEDER HOUSE FRAME, TILT BEAM AND CLOSURE PLATES - CONTOUR MASTER - CONTINUED
(660101-)

KEY	PART NO.	PART NAME	QTY	SERIAL NO.	REMARKS
1	19M7785	SCREW	7		M10 X 25
	14M7400	LOCK NUT	7		M10
2	19M7785	SCREW	2		M10 X 25
3	19M7788	SCREW	2		M12 X 25
4	19M7820	SCREW	2		M12 X 100
5	H151607	SIGN	4		"CAUTION" HEADER TILT
6	H149518	STRAP	1		
7	H149517	PIN	1		
8	19M7921	CAP SCREW	1		M20 X 150
9	E81185	WASHER	2		13 X 55.500 X 6 MM
10	28H3395	BUSHING	2		13.868 X 21.336 X 31.750 MM
11	24H1252	WASHER	2		12.700 X 38.100 X 1.524 MM
12	14M7299	FLANGE NUT	2		M12
13	AH143361	SHIELD	1		L.H.
14	AH143362	SHIELD	1		R.H.
15	H142869	WEATHER ENCLOSURE	1		
16	AH145282	FRAME	1	-670000	
	AH162724	FRAME	1	670000-	
17	124424	SPRING	2		
18	H130040	PIN	2		
19	H149523	BOLT	2		
20	19M7844	SCREW	6		M16 X 45, (USE LOCTITE)
	T43514	GASKET	1		
21	19M7792	SCREW	2		M16 X 30, (USE LOCTITE)
	T43514	GASKET	1		
22	AH145281	FRAME	1		
23	14M7300	FLANGE NUT	1		M20
24	H142870	BUSHING	1		
25	19M7403	CAP SCREW	4	-660180	M12 X 35
	19M7790	SCREW	4	660181-	M12 X 35
26	H93556	CLAMP	2	-670198	(SUB H159975)
	H159975	BLOCK CLAMP	1		

5G13

FEEDER HOUSE

LOCKOUT ASSEMBLY - CONTOUR MASTER (OPTIONAL)
(BELT PICK-UP PLATFORM AND 4-ROW CORN HEADS ONLY)
(660101-)
HP5949 -UN-02MAY95



HP5949

5G14

FEEDER HOUSE

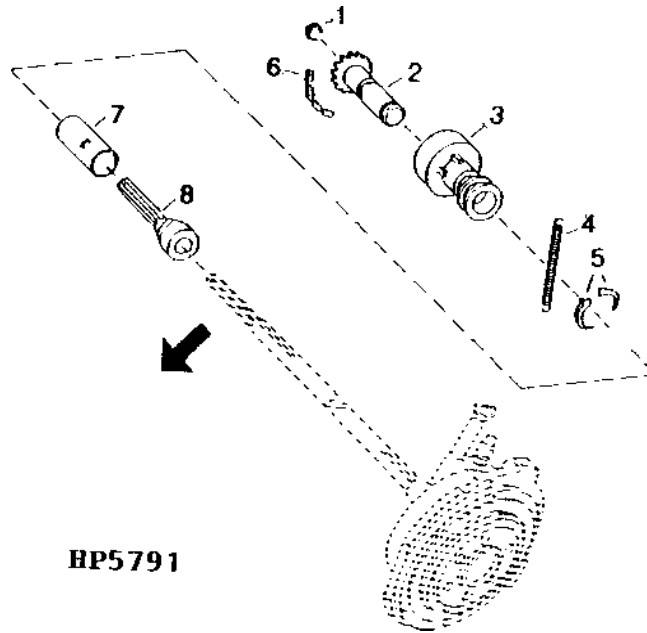
LOCKOUT ASSEMBLY - CONTOUR MASTER (OPTIONAL) - CONTINUED
(BELT PICK-UP AND 4-ROW CORN HEADS ONLY)
(660101-)

KEY	PART NO.	PART NAME	QTY	SERIAL NO.	REMARKS
1	AH145762	BRACKET	1		
2	AH145763	PIN	1		
3	03M7200	BOLT	2	-660180	M12 X 40
	03M7205	BOLT	2	660181-	M16 X 40
4	14M7299	FLANGE NUT	2	-660180	M12
	14M7291	FLANGE NUT	2	660181-	M16
5	19M7924	SCREW	1		M8 X 16

5G15

FEEDER HOUSE

LOCKOUT ADAPTER KIT - CONTOUR MASTER
(BELT PICK-UP PLATFORM AND 4-ROW CORNHEADS ONLY)
 (660101-)
 HP5791 -UN-15OCT94



KEY	PART NO.	PART NAME	QTY	SERIAL NO.	REMARKS
1	H80926	SNAP RING	1		
2	AH143069	DRIVE SPROCKET	1	14 TOOTH	
3	H148818	QUICK COUPLER	1		
4	H128118	SPRING	1		
5	E62951	UNIVERSAL JOINT BEARING	2		
6	AN102383	LINK CHAIN	1	(13 LINKS)	
7	H127603	TUBE	1		
8	AH142560	INTERNAL HALF COUPLER	1		

MEMORANDA

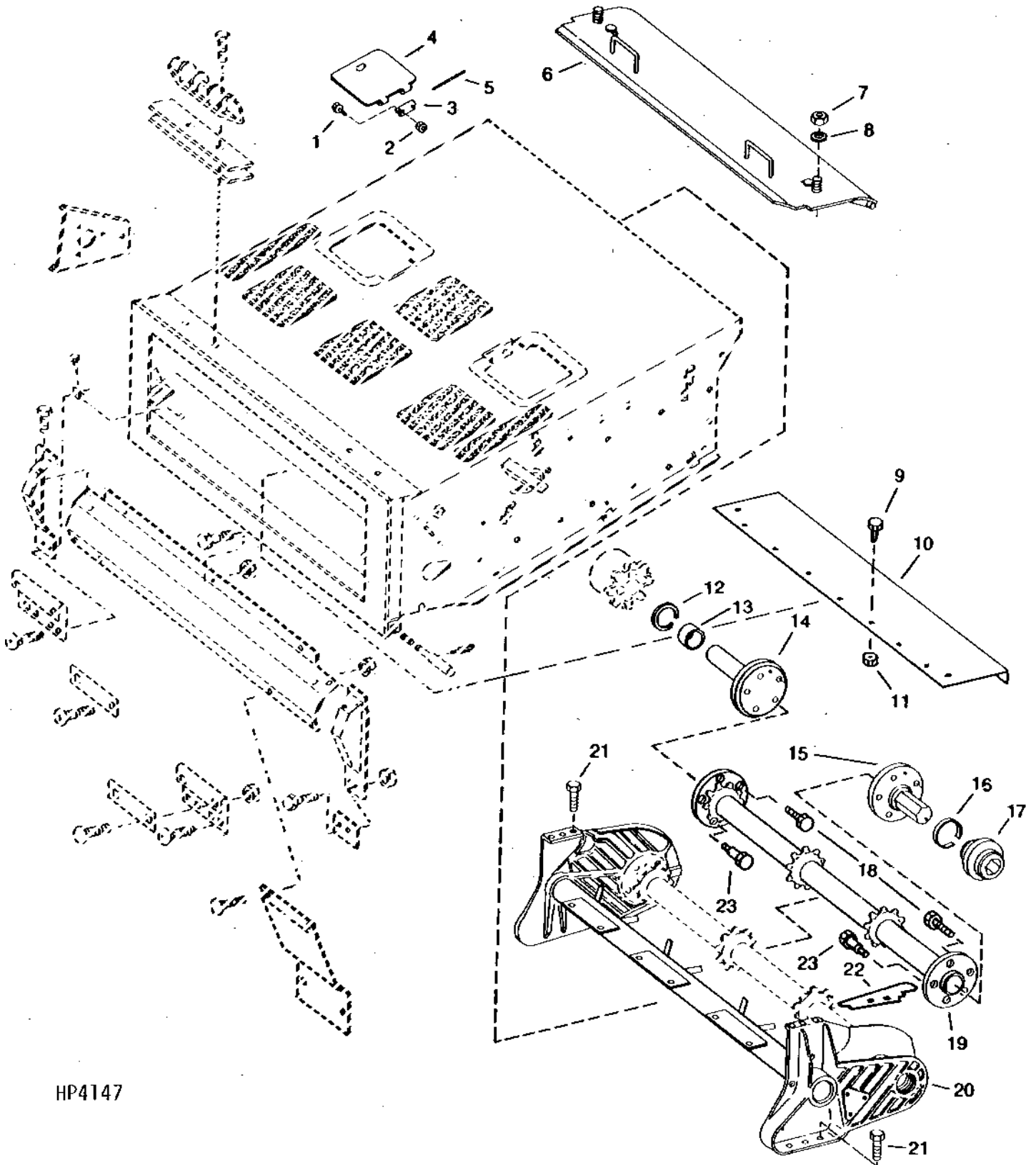
5G16

FEEDER HOUSE

FEEDER HOUSE UPPER SHAFT

(-641500)

HP4147 -UN-01JAN94



HP4147

5G17

FEEDER HOUSE

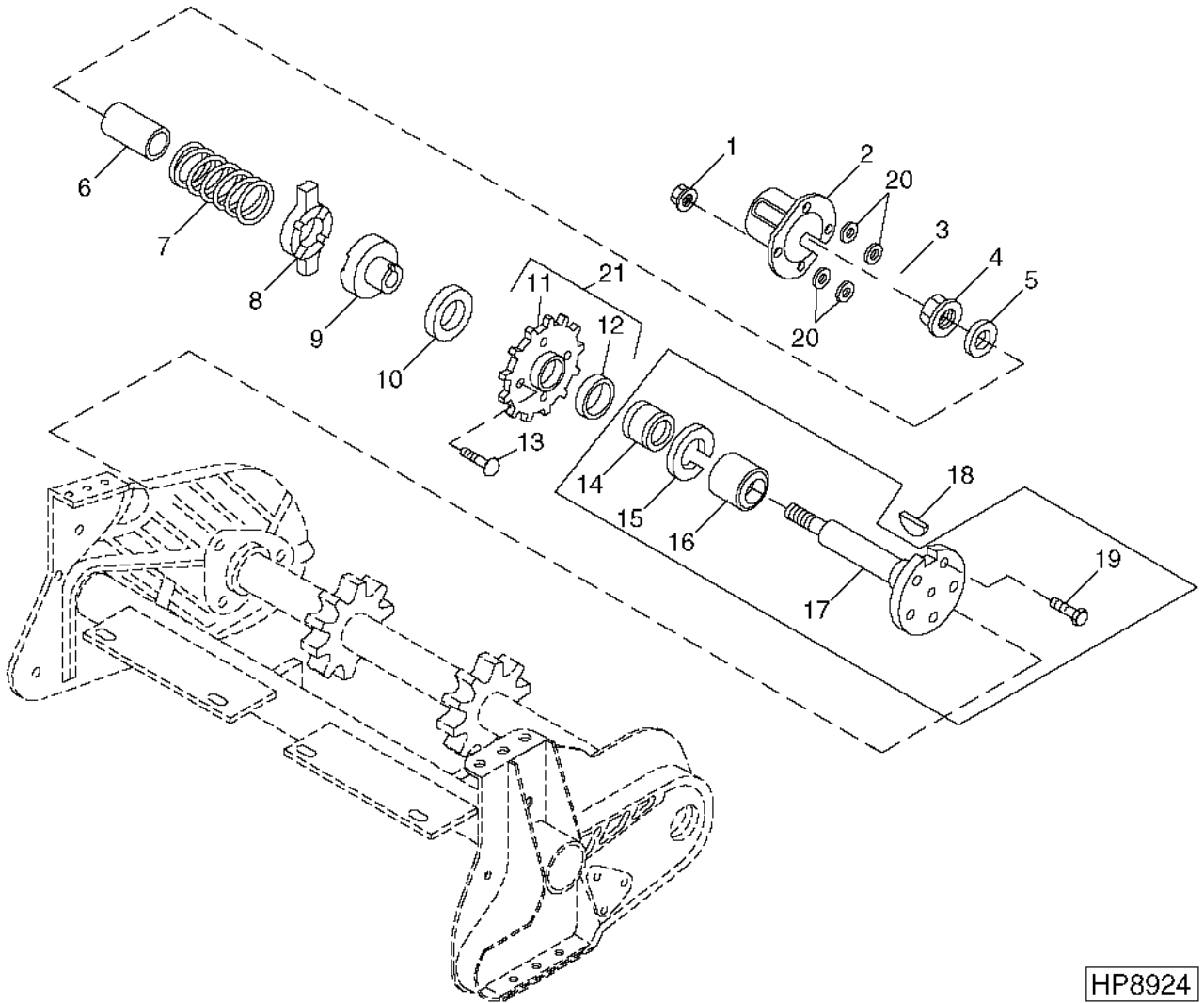
FEEDER HOUSE UPPER SHAFT - CONTINUED
 (-641500)

KEY	PART NO.	PART NAME	QTY	SERIAL NO.	REMARKS
1	03M7183	BOLT	4		M8 X 16
2	14M7298	FLANGE NUT	4		M8
3	H133989	HINGE	2		
4	H133990	DOOR	2		
5	H137322	PIN	2	-635797	
	H75985	DOWEL PIN	2	635798-	
6	AH126417	DOOR	1		
7	14M7401	LOCK NUT	2		M12
8	24M7047	WASHER	2		13 X 24 X 2.500 MM
9	03M7184	BOLT	7		M8 X 20
10	H143456	WEAR PLATE	1	635243-640100	
	H144052	WEAR PLATE	1	640101-	
11	14M7298	FLANGE NUT	7		M8
12	40M7090	SNAP RING	1		
13	AH109788	ROLLER BEARING	1		
14	H129681	SHAFT	1		
15	H129658	DRIVE SHAFT	1		
16	32184	SNAP RING	1		
17	AE46606	BEARING	1	-640816	
	JD9373	BALL BEARING	1	640817-	
18	19M7938	CAP SCREW	6		M10 X 20
19	AH125196	SHAFT	1		
20	AH130870	TUBE	1		(SUB AH137224 AND H143353 AND (3) H118583 AND (6) H118776 AND (6) 14H732 AND JD10020 AND JD9373 AND (2) H147593 AND (6) 19M7788 AND H143354) FIXED SPEED
	AH132830	TUBE	1		(SUB AH137224 AND H143353 AND (3) H118583 AND (6) H118776 AND (6) 14H732 AND JD10020 AND JD9373 AND (2) H147593 AND (6) 19M7788) VARIABLE SPEED
21	19M7895	SCREW	12		M20 X 50
22	H133508	BRACKET	4	-645212	
	H147482	BRACKET	4	645213-650377	
	H149883	STRIPPER	4	650378-660177	(SUB H147482)
	H147482	BRACKET	4		
23	H139837	BOLT	4		

5G18

FEEDER HOUSE

FEEDER HOUSE SLIP CLUTCH
HP8924 -UN-25AUG99



HP8924

5G19

FEEDER HOUSE

FEEDER HOUSE SLIP CLUTCH - CONTINUED

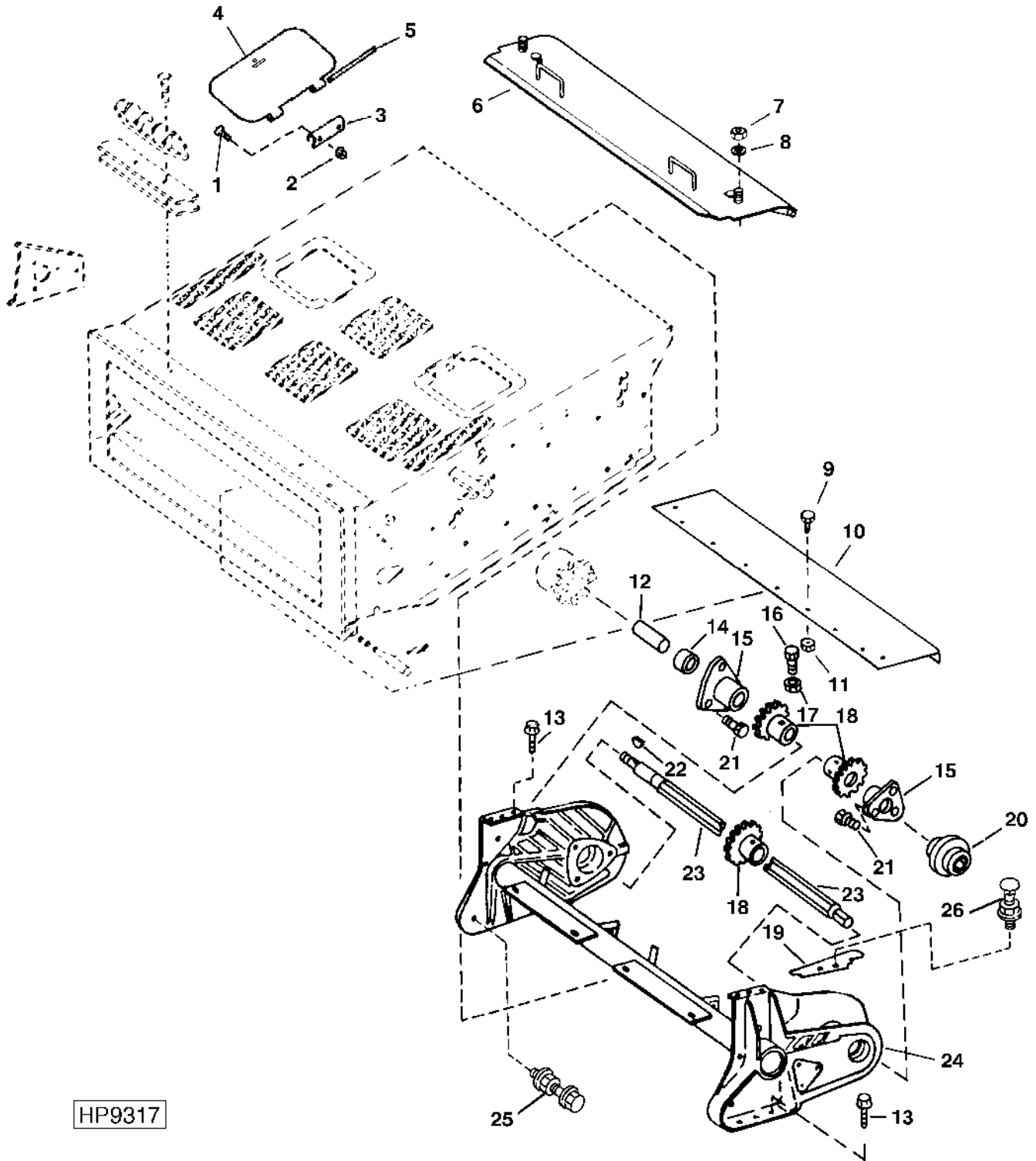
KEY	PART NO.	PART NAME	QTY	SERIAL NO.	REMARKS
1	14M7299	FLANGE NUT	4		
2	H119710	PLANET PINION CARRIER	1		
3	A31871	LOCK NUT	1		M24
	A31870	LOCK NUT	1		M20
4	14M7300	FLANGE NUT	1	-641500	M20
	14M7278	NUT	1	641501-	M24
5	24M7242	WASHER	1	-641500	21.400 X 42 X 5 MM
	R90521	WASHER	1	641501-	24.500 X 37 X 6.200 MM
6	H129659	SPACER	1		
7	H102497	SPRING	1	-635235	
	H109855	SPRING	1	635234-	
8	H101677	JAW	1		
9	H105590	HUB	1		
10	H99303	WASHER	1		
11	H119709	CHAIN SPROCKET	1		
12	H105584	BUSHING	1		
13	03M7200	BOLT	1		
14	H130571	SPACER	1	-641500	
15	40M7090	SNAP RING	1	-641500	
16	AH109788	ROLLER BEARING	1	-641500	
17	H129681	SHAFT	1	-641500	
18	26H103	SHAFT KEY	1		6.350 X 53.975 MM
19	19M7938	CAP SCREW	3	-641500	M10 X 20
20	24H1341	WASHER	4	635235-	
21	AH116232	CHAIN SPROCKET	1		

5G20

FEEDER HOUSE

FEEDER HOUSE UPPER SHAFT

(641501-)
HP9317 -UN-18NOV99



HP9317

5G21

FEEDER HOUSE

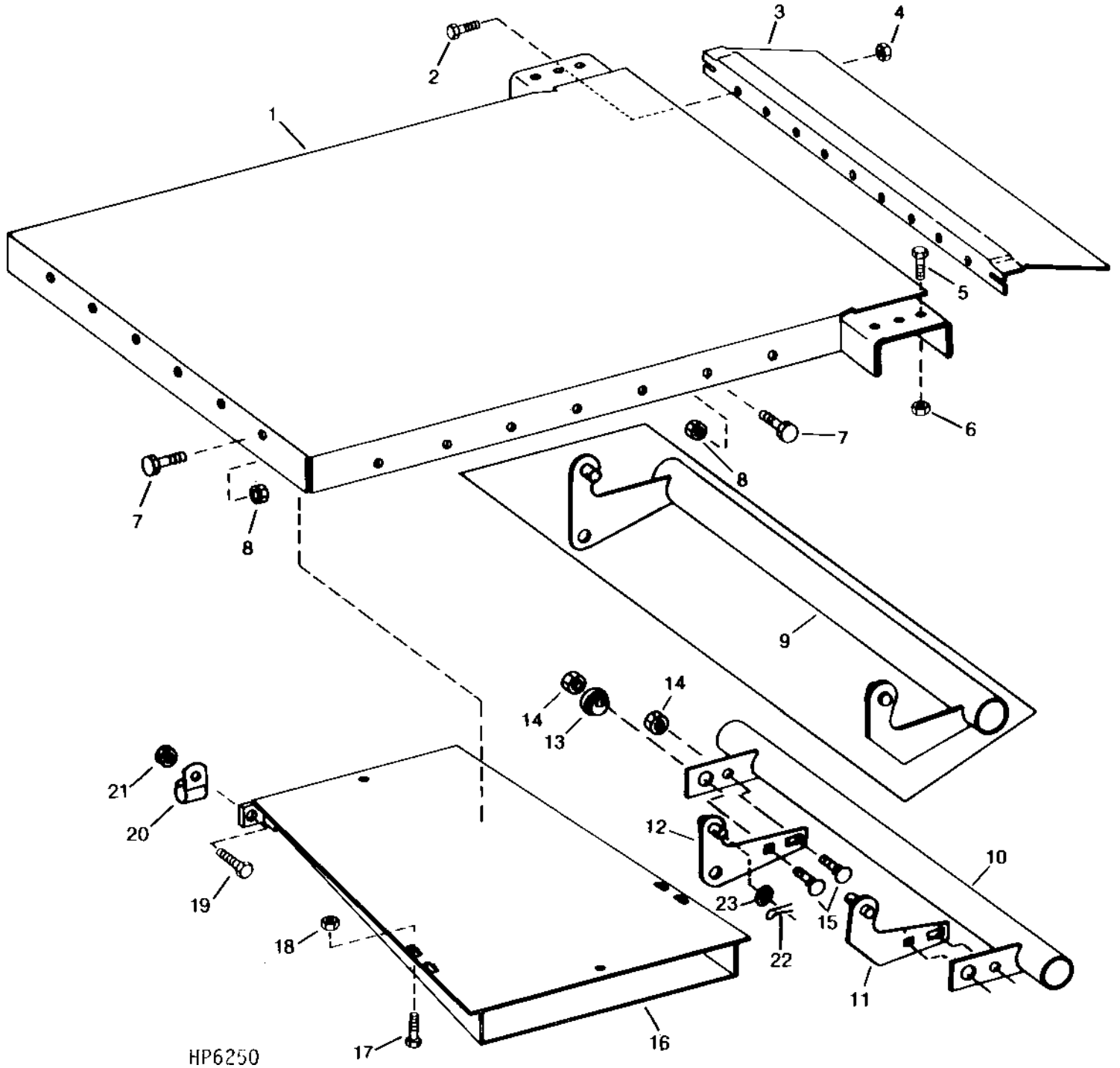
FEEDER HOUSE UPPER SHAFT - CONTINUED
(641501-)

KEY	PART NO.	PART NAME	QTY	SERIAL NO.	REMARKS
1	03M7183	BOLT	4		M8 X 16
2	14M7298	FLANGE NUT	4		M8
3	H133989	HINGE	2		
4	H152062	DOOR	2		(SUB H133990)
5	H76083	PIN	2		
6	AH126417	DOOR	1		
7	14M7401	LOCK NUT	2		M12
8	24M7047	WASHER	2		13 X 24 X 2.500 MM
9	03M7184	BOLT	7		M8 X 20
10	H144052	WEAR PLATE	1		
11	14M7298	FLANGE NUT	7		M8
12	H143354	SPACER	1		
13	19M7895	SCREW	12	-640816	M20 X 50
	24M7242	WASHER	12	640817-645259	21.400 X 42 X 5 MM
14	JD10020	BALL BEARING	1		
15	H143351	HOUSING	2	-645343	(SUB H147593)
	H147593	HOUSING	2		
16	H118776	SET SCREW	6		
17	14H732	NUT	6		3/8"
18	H118583	CHAIN SPROCKET	3		
19	H133508	BRACKET	2	-645213	(NOT USED WITH HEX SHAFT)
	H147482	BRACKET	2	645214-	(SUB FOR H149883)
20	JD9373	BALL BEARING	1		
21	19M7788	SCREW	6	-645363	M12 X 25
	19M7789	SCREW	6	645364-	M12 X 30
22	26H103	SHAFT KEY	1		1/4" X 2-1/8"
23	H151566	SHAFT	1		(SUB FOR H143353)
24	AH141399	TUBE	1		(SUB FOR AH137224)
25	19M7785	SCREW	6		M10 X 25
	14M7296	FLANGE NUT	6		M10
26	03M7191	BOLT	4		M10 X 25
	14M7296	FLANGE NUT	4		M10

5G22

FEEDER HOUSE

FEEDER HOUSE FLOOR
HP6250 -UN-12JAN96



HP6250

5G23

FEEDER HOUSE

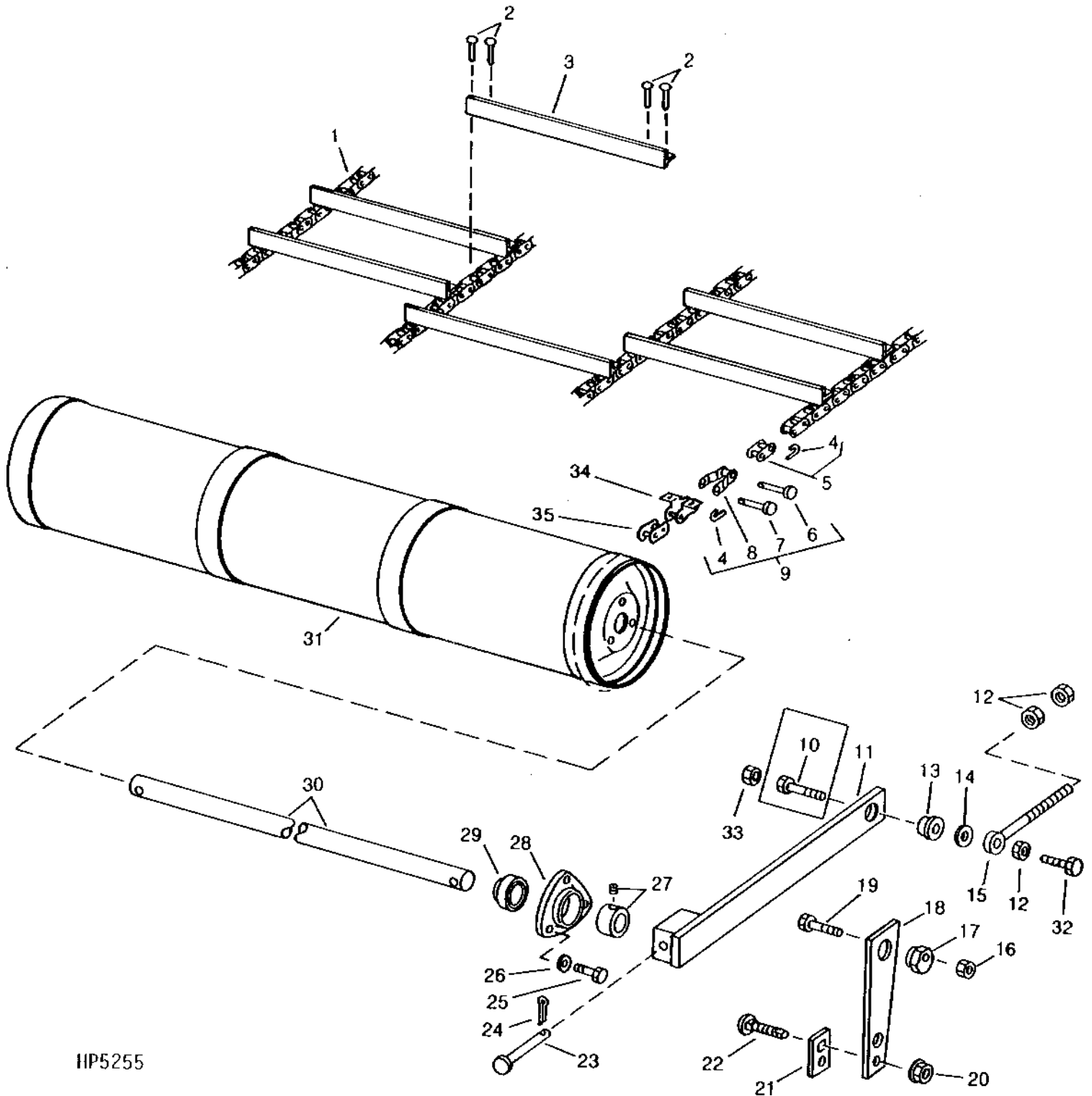
FEEDER HOUSE FLOOR - CONTINUED

KEY	PART NO.	PART NAME	QTY	SERIAL NO.	REMARKS
1	AH137733	FLOOR	1		(SUB AH159703) (SUB FOR AH128073)
	AH159703	FLOOR	1		
2	03M7190	BOLT	8		M10 X 20
3	H131452	SEAL	1		
4	14M7296	FLANGE NUT	8		M10
5	19M7895	SCREW	6		M20 X 50
6	14M7300	FLANGE NUT	6		M20
7	19M7789	SCREW	20		M12 X 30
8	14M7299	FLANGE NUT	20		M12
9	AH140113	SUPPORT	1	-650100	(SUB FOR AH128239)
10	AH141780	SUPPORT	1	650101-	(USE WITH AH141782, AH141781, H97322, 19M7790 AND 14M7299)
11	AH141782	ARM	1	650101-	
12	AH141781	ARM	1	650101-	
13	H97322	CAM	1	650101-	
14	14M7299	FLANGE NUT	4	650101-	M12
15	19M7790	SCREW	1	650101-	M12 X 35
16	AH131303	PAN	1		
17	19M7865	SCREW	2		M8 X 16
18	14M7298	FLANGE NUT	2		M8
19	19M7784	SCREW	2		M10 X 20
20	AH89557	CLIP	1		
21	14M7296	FLANGE NUT	2		M10
22	11M7028	COTTER PIN	2		5 X 32 MM
23	24M7053	WASHER	2		17 X 30 X 3 MM

5G24

FEEDER HOUSE

FEEDER CONVEYOR IDLER SHAFT, DRUM AND CHAIN
HP5255 -UN-01JAN94



HP5255

5G25

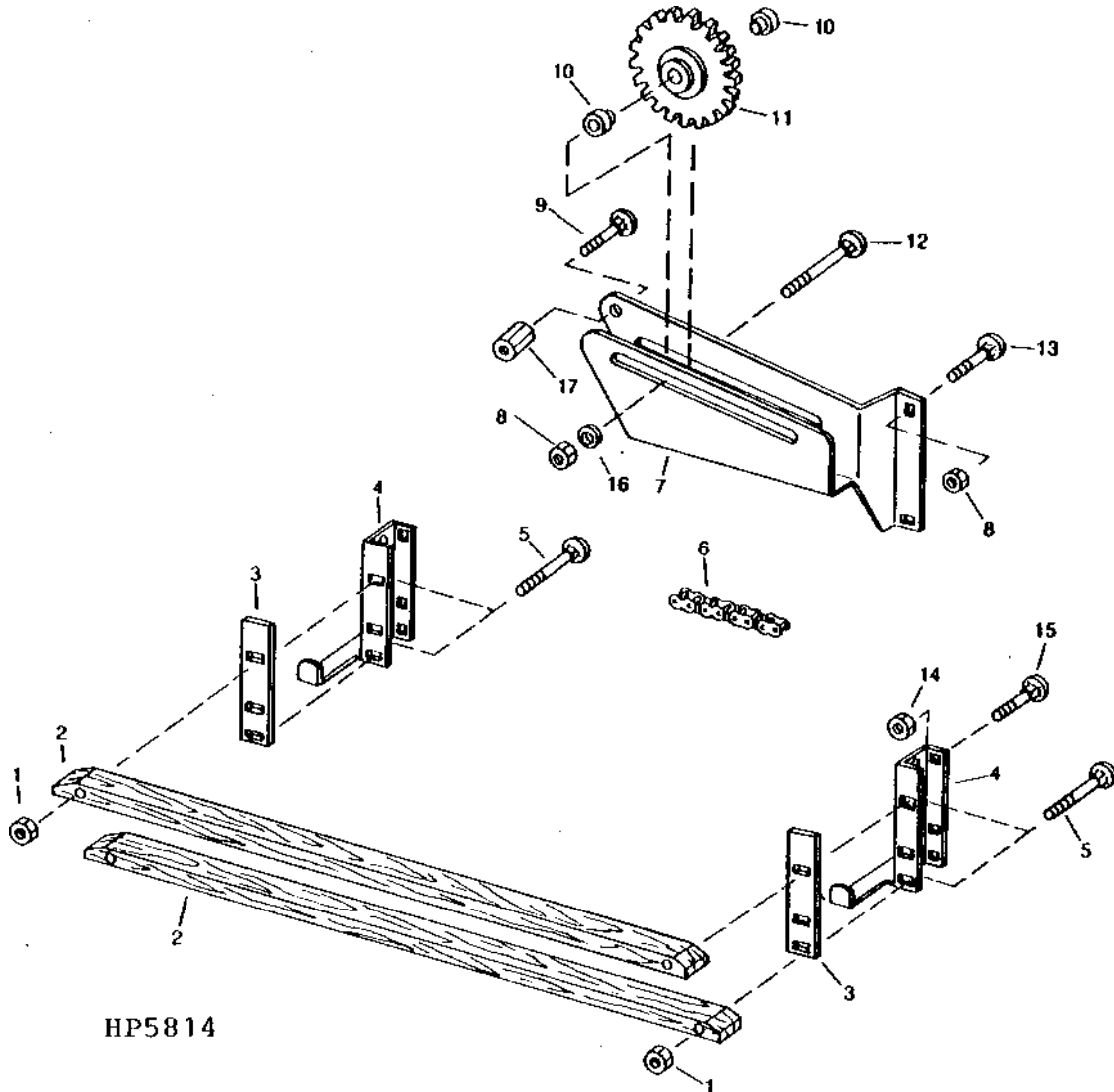
FEEDER HOUSE

FEEDER CONVEYOR IDLER SHAFT, DRUM AND CHAIN - CONTINUED

KEY	PART NO.	PART NAME	QTY	SERIAL NO.	REMARKS
1	AH137845	CONVEYOR	1		(SUB FOR AH130105 OR AH137598) NARROW SPACED (49 SLATS)
	AH138187	CONVEYOR	1		(SUB FOR AH137592) WIDE SPACED (34 SLATS)
2	16H1083	RIVET	196		5/16" X 5/8", (CONNECTING LINK TO SLAT)
3	H134002	SLAT	49		
4	H84026	HOOK	6		
5	AH137630	CHAIN LINK	5		(SUB FOR AH84241)
6	H137448	PIN	3		(SUB AH137631) REPAIR KIT
	PIN	3		
7	H137439	PIN	3		(SUB AH137631) REPAIR KIT
8	AH131106	LINK	3		(SUB AH137631) REPAIR KIT
	AH137631	CHAIN LINK	1		
9	AH131105	CHAIN KIT	3	-635243	(SUB AH137631) REPAIR KIT
	AH137631	CHAIN LINK	3		
10	19M7825	SCREW	2	-636100	M16 X 65
11	AH126091	ARM	2		
12	14M7291	FLANGE NUT	6		M16
13	H131087	BUSHING	1		
14	24H1368	WASHER	1		21/32" X 1-5/16" X 0.090"
15	H131088	EYEBOLT	1		
16	14M7275	NUT	1		M12
17	H97322	CAM	1		
18	H84942	PLATE	1		
19	03M7202	BOLT	1		M12 X 50
20	14M7299	FLANGE NUT	1		M12
21	H144201	ADJUSTING STRAP	2		(SUB FOR H126705)
22	H154331	BOLT	1		(SUB FOR H131090)
23	45M7040	PIN	1		10 X 60 MM
24	11M7059	COTTER PIN	1		3.200 X 20 MM
25	19H1731	CAP SCREW	6	-635699	3/8" X 1"
	19M7790	SCREW	6	635700-	M12 X 35
26	12H304	LOCK WASHER	6		3/8"
27	JD8551	ECCENTRIC LOCKING COLLAR	2		
28	H97919	HOUSING	2	-635699	
	H138753	HOUSING	2	635700-	
29	JD8552	BALL BEARING	2		
30	H123734	SHAFT	1		
31	AH120210	DRUM	1	-635699	(SUB AH133494, (2) H138753 AND (6) 19M7790)
	AH142394	DRUM	1		(SUB FOR AH133494)
32	19M7399	CAP SCREW	2	635268-	M16 X 85
33	W39621	NUT	2	635268-	
34	AH137632	CHAIN LINK	1		
	H84026	HOOK	1		
35	C10232	LINK	1	-29SEP7	
	AH158635	CHAIN LINK	1	29SEP7-	

5H1

FEEDER CONVEYOR DRIVE CHAIN, TIGHTENER AND GUIDES
HP5814 -UN-01JAN94



5H2

FEEDER HOUSE

FEEDER CONVEYOR DRIVE CHAIN, TIGHTENER AND GUIDES - CONTINUED

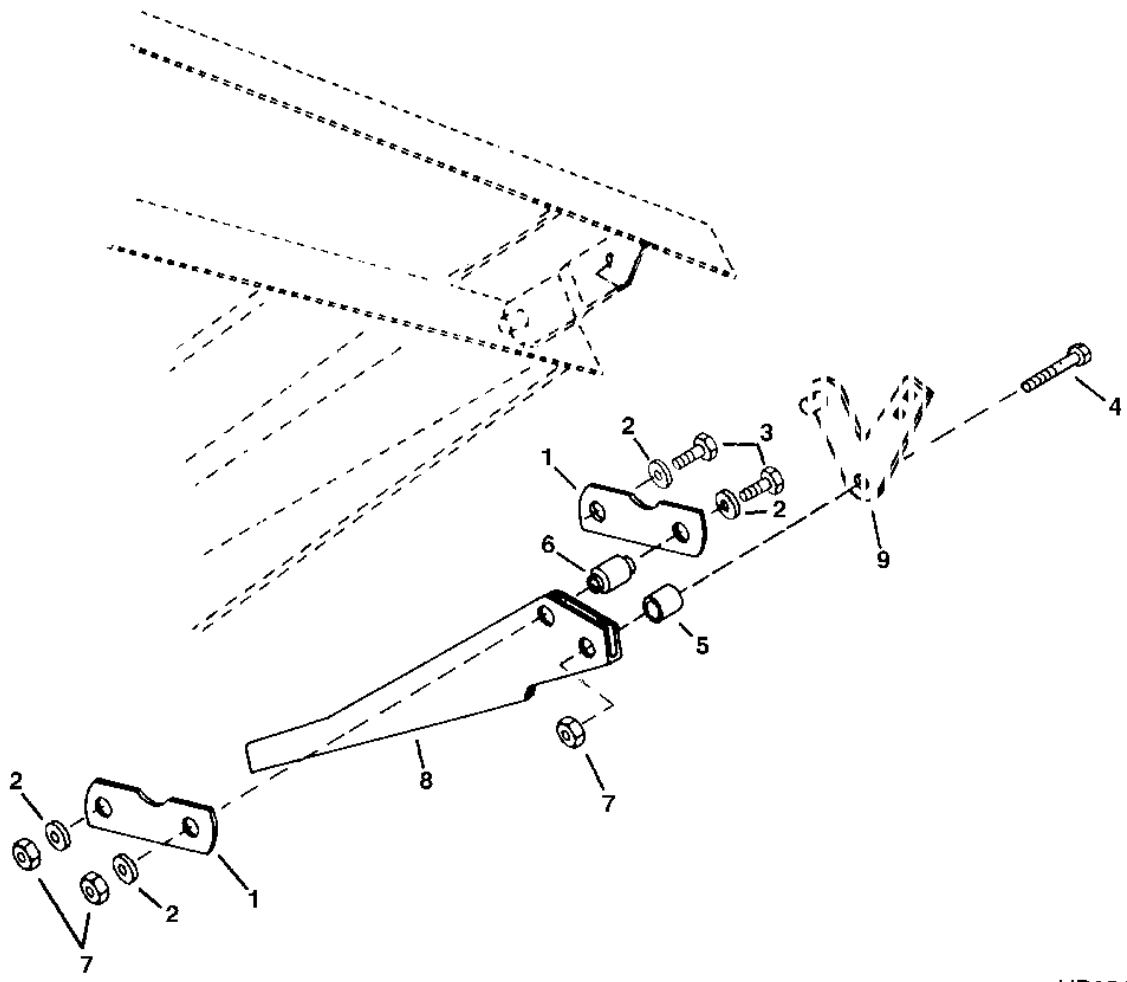
KEY	PART NO.	PART NAME	QTY	SERIAL NO.	REMARKS
1	14M7400	LOCK NUT	4		
2	H130530	GUIDE	2		
3	H134735	PLATE	2		
4	H134734	BRACKET	2		
5	03M7233	BOLT	4		M10 X 70
6	AH145029	LINK CHAIN	1		ROLLER, TYPE 60, 219 LINKS
7	H141500	BRACKET	1		(SUB FOR H130528)
8	14M7299	FLANGE NUT	2		M12
9	19M7785	SCREW	1		M10 X 25
10	H130529	SPACER	2		
11	AE27909	CHAIN SPROCKET	1		
12	03M7226	BOLT	1		M12 X 70
13	03M7197	BOLT	1	-640291	M12 X 25
	03M7198	BOLT	10	640292-	M12 X 30
14	14M7296	FLANGE NUT	4		M10
15	03M7190	BOLT	4		M10 X 20
16	24H1226	WASHER	1		1/2" X 1-1/4" X 0.083"
17	H143489	BUSHING	1		

5H3

FEEDER HOUSE

FEED PLATE LATCH HANDLE

HP6514 -UN-15JUL96



HP6514

5H4

FEEDER HOUSE

FEED PLATE LATCH HANDLE - CONTINUED

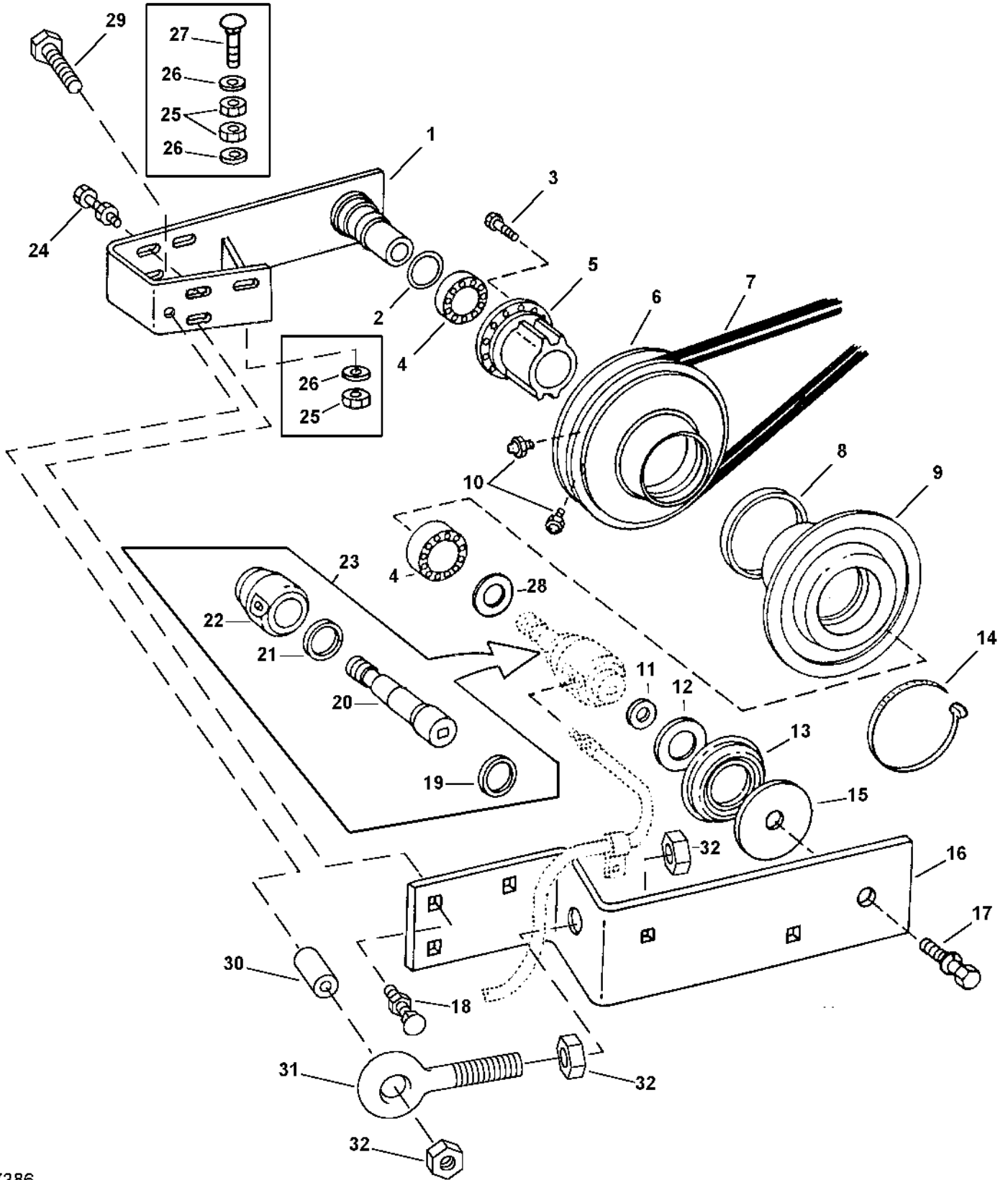
KEY	PART NO.	PART NAME	QTY	SERIAL NO.	REMARKS
1	H136144	ADJUSTING STRAP	2		
2	24M7207	WASHER	4	8.400 X 24 X 2 MM	
3	19M8318	SCREW	2	M8 X 45	
4	19M8291	SCREW	1	M8 X 35	
5	H133060	SLEEVE	1		
6	H132988	BUSHING	1	(SUB FOR H135476)	
7	14M7396	LOCK NUT	3	M8	
8	H132986	HANDLE	1		
9	ARM	1		IDENTIFIED WITH FEEDER HOUSE FLOOR

5H5

FEEDER HOUSE

VARIABLE DRIVE UPPER COUNTERSHAFT, SHEAVES AND SUPPORTS

HP7386 -UN-24JAN98



HP7386

5H6

FEEDER HOUSE

VARIABLE DRIVE UPPER COUNTERSHAFT, SHEAVES AND SUPPORTS - CONTINUED

KEY	PART NO.	PART NAME	QTY	SERIAL NO.	REMARKS
1	AH120972	SUPPORT	1		
2	R31378	O-RING	1		
3	19M7868	SCREW	6		M8 X 30
4	JD10018	BEARING	2		
5	H97378	HUB	1		INNER
6	AH157934	SHEAVE	1		360 MM (14-15/64") DIA. (SUB FOR H125489)
7	H125565	BELT	1	-635100	
	H140160	BELT	1	635101-	
8	AH136497	SEAL	1	640101-	(SUB FOR AH94854)
9	H125490	SHEAVE	1		318 MM (12-35/64") DIA.
10	JD7759	LUBRICATION FITTING	2		STRAIGHT, 1/8"
11	24H1342	WASHER	AR		17/32" X 1-1/4" X 0.036", STRAIGHT, 1/4"
12	H101448	WASHER	AR		(SPECIAL)
13	H93084	BOOT	1		
14	H77698	TIE BAND	1		SELF-LOCKING
15	H98409	WASHER	1		
16	H134087	STRAP	1		
17	19H1777	CAP SCREW	1		1/2" X 1-3/4"
	12H301	LOCK WASHER	1		1/2"
18	03M7192	BOLT	3		M10 X 30
	14M7296	FLANGE NUT	3		M10
19	H100247	SEAL	1		
20	H100244	PISTON	1		
21	H100246	SEAL	1		
22	H100245	HYDRAULIC CYLINDER BARREL	1		
23	AH96091	CYLINDER	1		
24	19M7790	SCREW	3		M12 X 35
	14M7299	FLANGE NUT	3		M12
25	14H821	NUT	3	-635100	5/8"
26	24M7053	WASHER	3	-635200	17 X 30 X 3 MM
27	03H2308	BOLT	1	-635300	5/8" X 3-1/4"
28	24H1452	WASHER	1		1-1/32" X 1-3/4" X 0.105"
29	19M7892	CAP SCREW	1	5JAN98-	M20 X 80
30	H162288	BUSHING	1	5JAN98-	
31	H162269	EYEBOLT	1	5JAN98-	
32	14M7277	NUT	3	5JAN98-	M20
..	BH81390	COMPLETE GOODS/SHIP. BUNDLE	1		NARROW FEEDER HOUSE
..	BH81446	COMPLETE GOODS/SHIP. BUNDLE	1		NARROW FEEDER HOUSE, CONTOUR MASTER

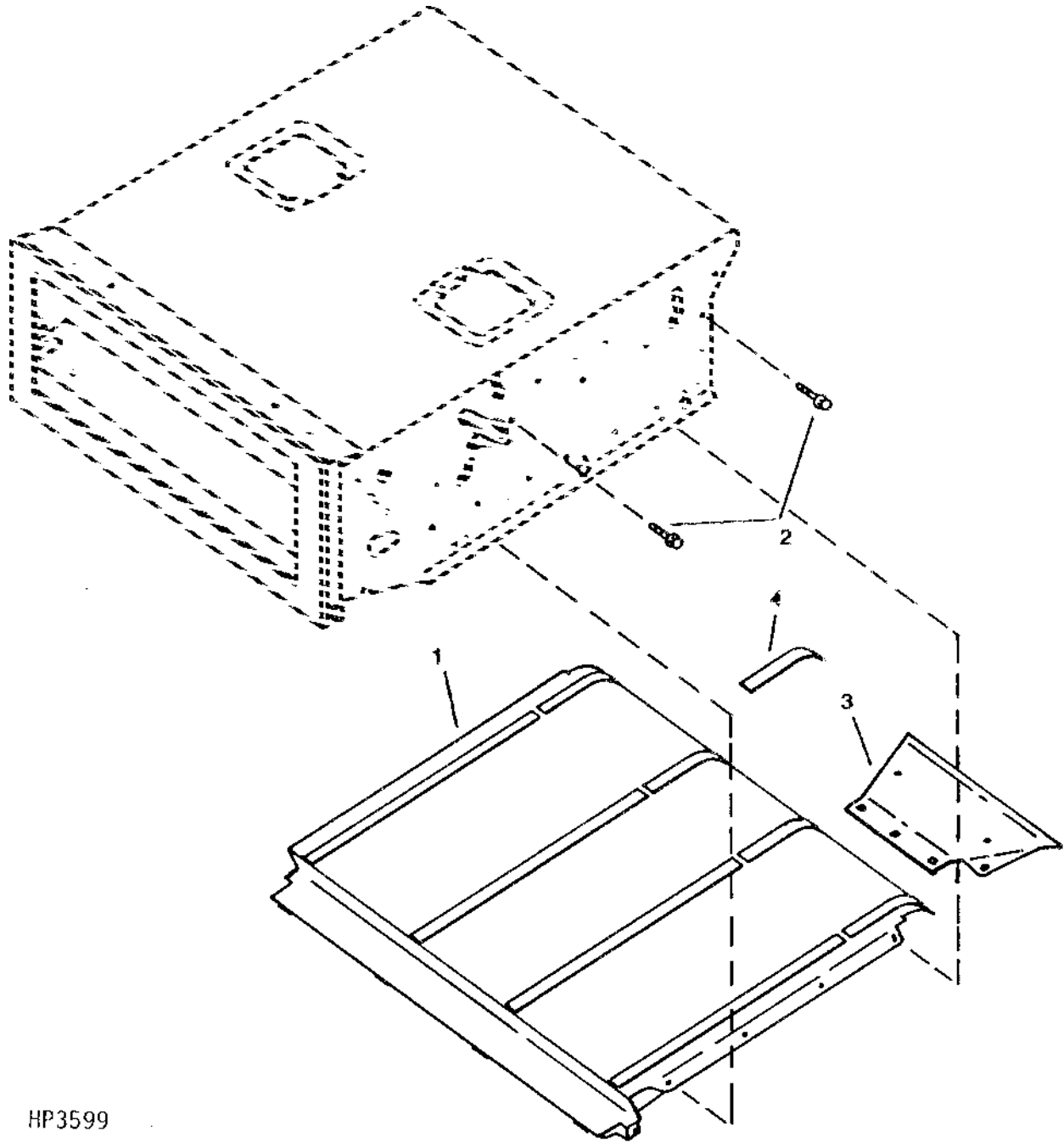
5H7

FEEDER HOUSE

FEEDER HOUSE RETURN FLOOR

(-641500)

HP3599 -UN-01JAN94



HP3599

5H8

FEEDER HOUSE

FEEDER HOUSE RETURN FLOOR - CONTINUED
(-641500)

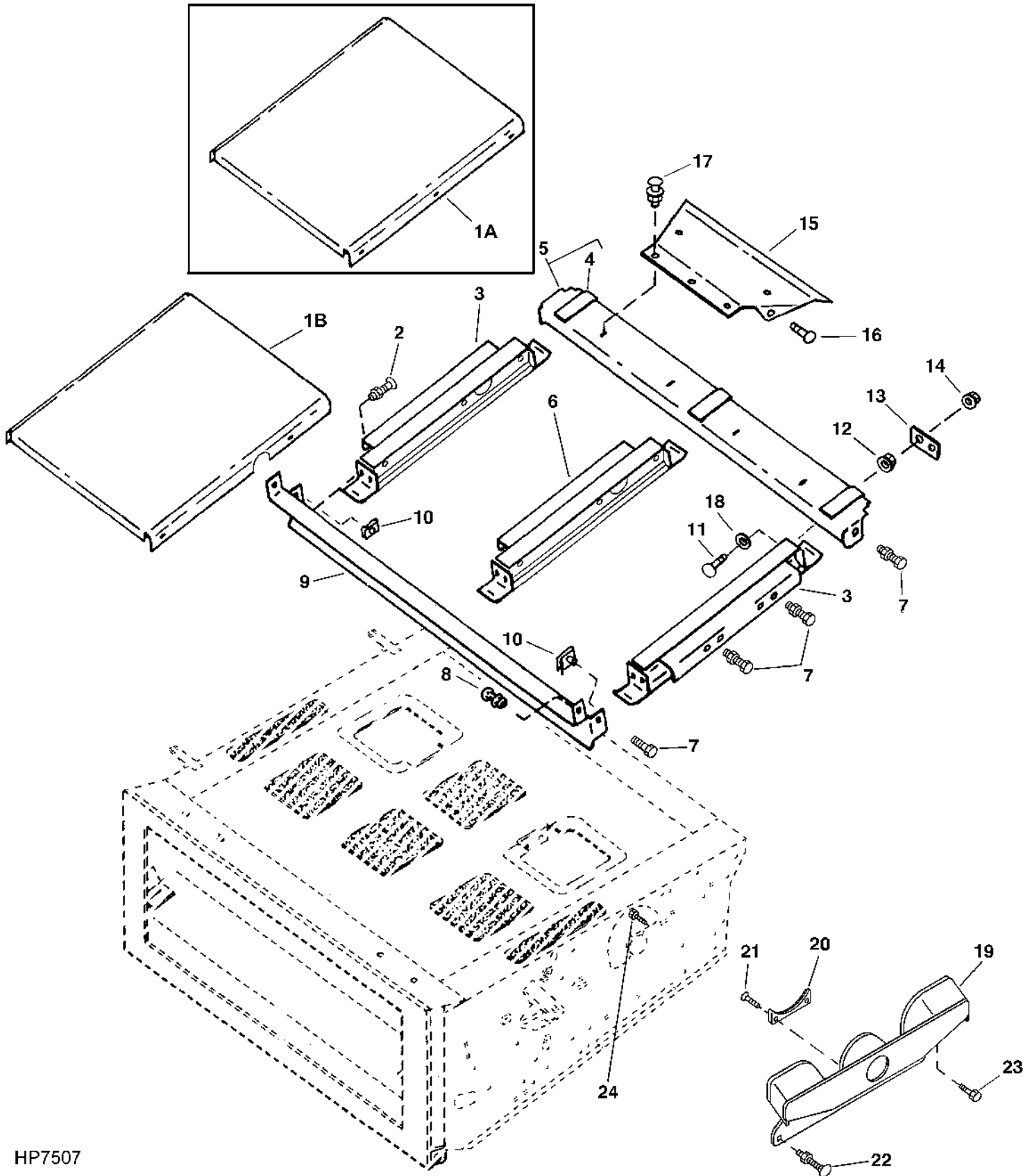
KEY	PART NO.	PART NAME	QTY	SERIAL NO.	REMARKS
1	AH138963	FLOOR	1		(SUB AH139243, (2) AH141861, AH157942, H143358, (2) H143376 AND H148187) (SUB FOR AH131829)
2	AH139423	SUPPORT	1		
2	19M7785	SCREW	10		M10 X 25
3	H134887	STRIPPER	3	-640505	
3	H145464	STRIPPER	3	640506-	
4	H144826	STRIP	3		

5H9

FEEDER HOUSE

FEEDER HOUSE RETURN FLOOR

(641501-)
HP7507 -UN-06APR98



HP7507

5H10

FEEDER HOUSE

FEEDER HOUSE RETURN FLOOR - CONTINUED
(641501-)

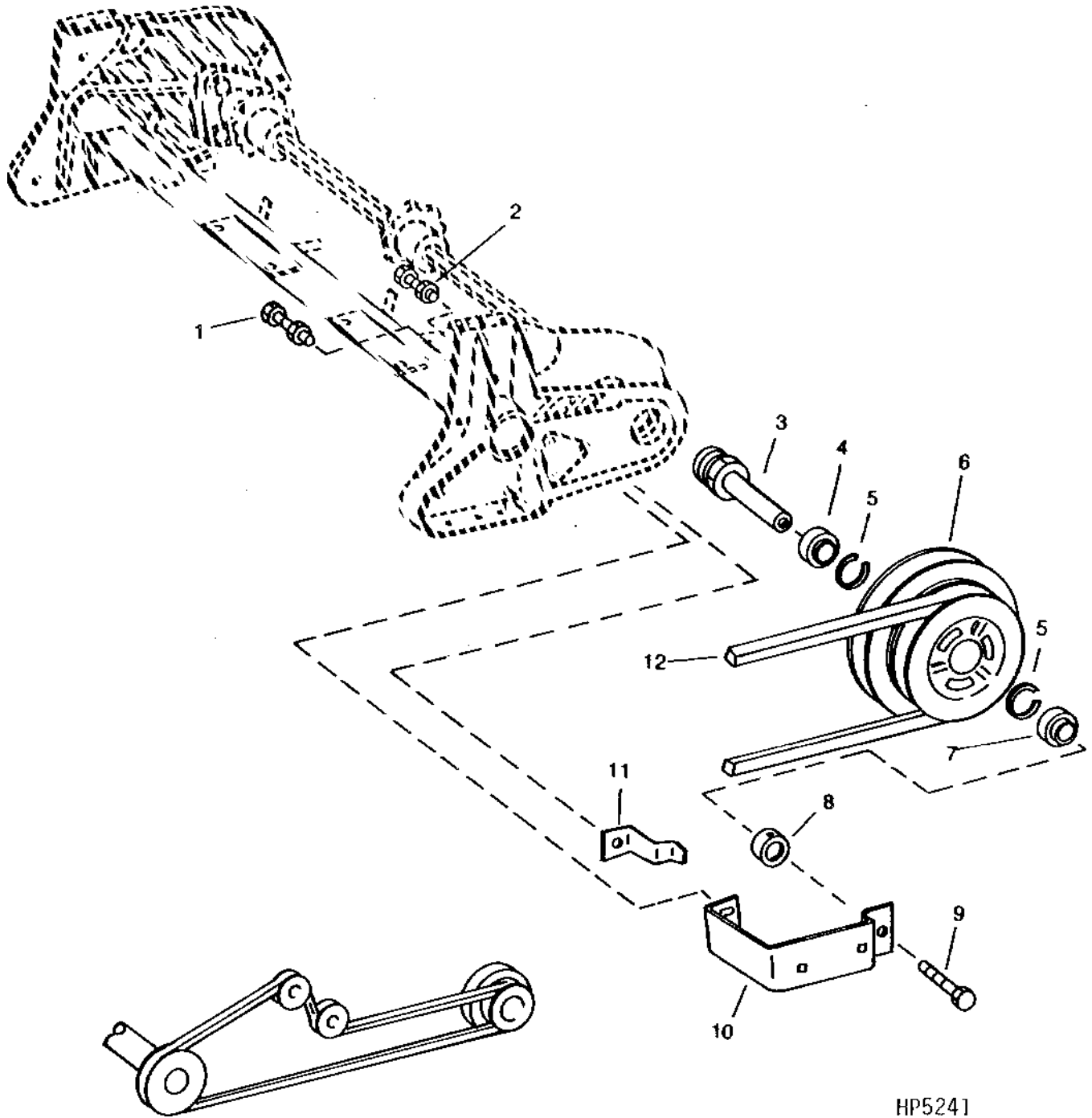
KEY	PART NO.	PART NAME	QTY	SERIAL NO.	REMARKS
1	H143376	FLOOR	2		
	AH155650	FLOOR	1	5JAN98-	
2	03M7190	BOLT	6		M10 X 20
	14M7296	FLANGE NUT	6		M10
3	AH139243	RUNNER	2		OUTSIDE RUNNER
4	H145462	ANGLE	3	-650100	
	H148187	ANGLE	3	650101-	
5	AH141861	SUPPORT	1		
6	AH157942	RUNNER	1	29SEP7-	(SUB FOR AH139242) INSIDE RUNNER
	AH157942	RUNNER	3	5JAN98-	
7	19M7785	SCREW	8		M10 X 25
	14M7296	FLANGE NUT	4		M10
8	03M7191	BOLT	2		M10 X 25
	14M7296	FLANGE NUT	2		M10
9	H143358	CHANNEL	1		
10	H146457	NUT	2		10 MM (0.394")
11	03M7194	BOLT	6		M10 X 40
12	14M7296	FLANGE NUT	8		M10
13	H150458	STRAP	6	655141-	
14	14M7400	LOCK NUT	8		M10
15	H145464	STRIPPER	3		STRIPPER - TOP SHAFT
16	19M7785	SCREW	6		M10 X 25
17	03M7191	BOLT	6		M10 X 25
	14M7296	FLANGE NUT	6		M10
18	24M7028	WASHER	6		10.500 X 20 X 2 MM
19	AH159053	SCOOP	1		L.H.
	AH159054	SCOOP	1		R.H.
20	H164391	STRIPPER	2		
21	H165318	SCREW	2		
22	03M7197	BOLT	4		M12 X 25
23	03M7198	BOLT	2		
24	H165317	SCREW	4		
..	BH81390	COMPLETE GOODS/SHIP. BUNDLE	1		RETROFIT - NARROW FEEDER HOUSE
..	BH81446	COMPLETE GOODS/SHIP. BUNDLE	1		RETROFIT - NARROW FEEDER HOUSE, CONTOUR MASTER
..	BH81482	COMPLETE GOODS/SHIP. BUNDLE	1		RETROFIT - NARROW FEEDER HOUSE

5H11

FEEDER HOUSE

UPPER DRIVE SHAFT, SHEAVE AND MOUNTINGS (FIXED SPEED WITH REVERSER)

HP5241 -UN-01JAN94



HP5241

5H12

FEEDER HOUSE

UPPER DRIVE SHAFT, SHEAVE AND MOUNTINGS - CONTINUED
(FIXED SPEED WITH REVERSER)

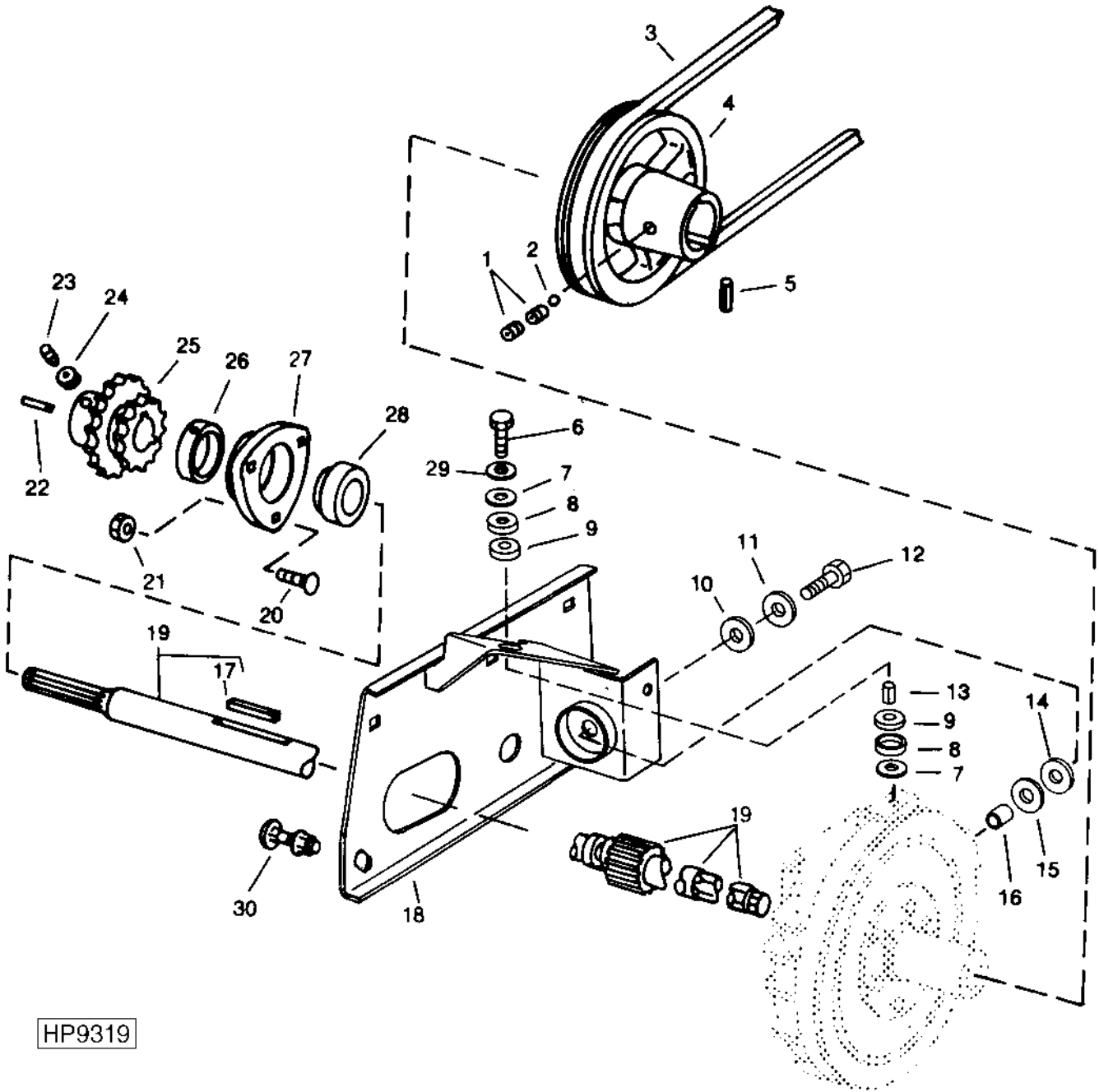
KEY	PART NO.	PART NAME	QTY	SERIAL NO.	REMARKS
1	19M7790	SCREW	1	M12 X 35	
	14M7299	FLANGE NUT	1	M12	
2	19M7789	SCREW	1	M12 X 30	
	14M7299	FLANGE NUT	1	M12	
3	AH125454	SHAFT	1		
4	JD9301	BALL BEARING	1		
5	P46874	SNAP RING	1		
6	H126261	SHEAVE	1		
7	JD9356	BALL BEARING	1		
8	JD8576	ECCENTRIC LOCKING COLLAR	1		
9	19M7790	SCREW	1	M12 X 35	
10	H134088	STRAP	1		
11	H126302	SCRAPER	1		
12	H126345	BELT	1		

5H13

FEEDER HOUSE

FRONT DRIVE SHAFT, SHEAVE AND MOUNTINGS (FIXED SPEED WITH REVERSER)

HP9319 -UN-18NOV99



HP9319

5H14

FEEDER HOUSE

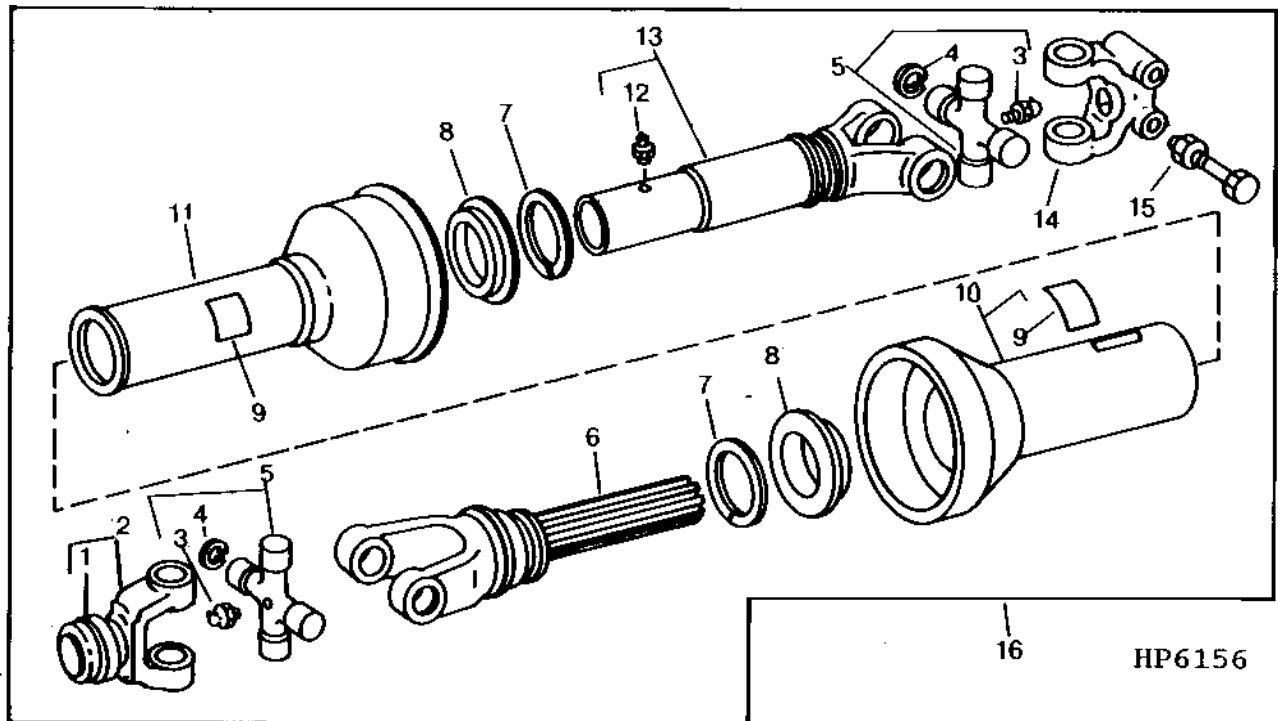
**FRONT DRIVE SHAFT, SHEAVE AND MOUNTINGS - CONTINUED
(FIXED SPEED WITH REVERSER)**

KEY	PART NO.	PART NAME	QTY	SERIAL NO.	REMARKS
1	22H775	SET SCREW	2		5/16" X 1/4"
2	H110922	BALL	1		
3	H126345	BELT	1		
4	H108889	SHEAVE	1		
5	34H305	SPRING PIN	1		
6	19H1863	CAP SCREW	1		5/8" X 3"
7	P50456	WASHER	2		
8	H148132	BUSHING	2		(SUB FOR H80197)
9	H148133	RETAINER	2		(SUB FOR H78856)
10	T55761	SUPPORT	1		RUBBER WASHER
11	R20136	WASHER	1		
12	19H1950	CAP SCREW	1		5/8" X 3-3/4"
13	H148134	SPACER	1		(SUB FOR H85482)
14	R62502	SUPPORT	1		
15	H97410	WASHER	1		
16	H95417	SPACER	1		
17	KEY	1		
18	AH144099	SUPPORT	1	655356-	(SUB FOR AH139919)
19	AH97642	SHAFT	1		
	AH136873	SHAFT	1	660101-31JA00	CONTOUR MASTER
	AH152937	SHAFT	1		CONTOUR MASTER (USE WITH AH149349 (DRIVE SPROCKET) AND H170634 (TONE WHEEL))
20	03M7192	BOLT	3		M10 X 30
21	14M7296	FLANGE NUT	3		M10
22	M73000	SHAFT KEY	1		
23	H138435	SET SCREW	2		M10 X 25
24	14M7274	NUT	2		M10
25	AH125782	CHAIN SPROCKET	1		
	AH149349	DRIVE SPROCKET	1		USE WITH AH153341 (GEARBOX) AND H170634 (TONE WHEEL)
26	JD9201	ECCENTRIC LOCKING COLLAR	1		
27	H93927	HOUSING	1		
28	JD9202	BALL BEARING	1		
29	24M7241	WASHER	1	640189-	17 X 34 X 4 MM
30	03M7191	BOLT	5		M10 X 25
	14M7296	FLANGE NUT	5		M10

5H15

FEEDER HOUSE

CONTOUR MASTER DRIVESHAFT
(FOR ALL HEADERS EXCEPT 444 CORNHEAD, 914 BPU)
(660101-)
HP6156 -UN-01SEP95



5H16

FEEDER HOUSE

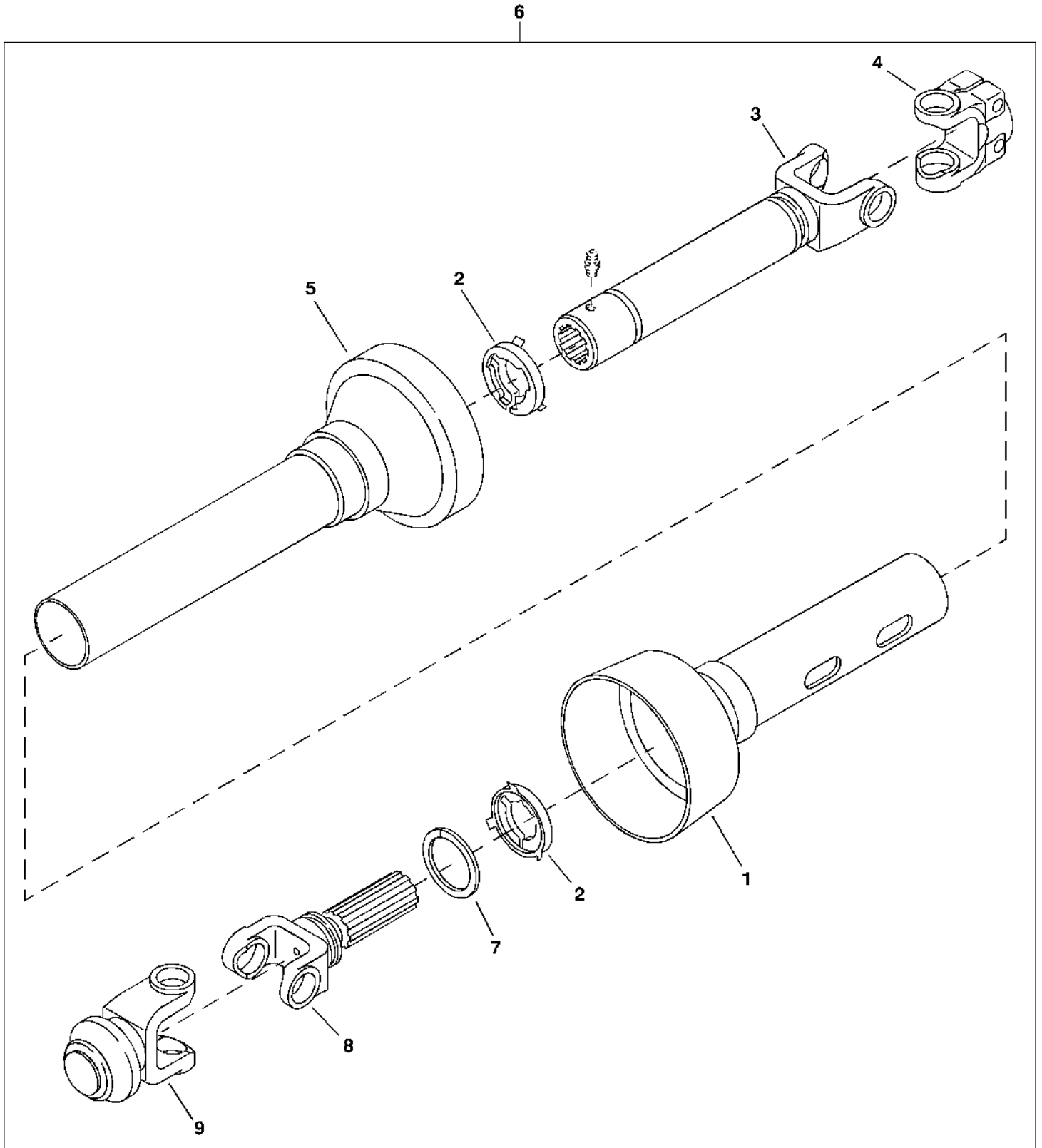
CONTOUR MASTER DRIVESHAFT - CONTINUED
 (FOR ALL HEADERS EXCEPT 444 CORNHEAD, 914 BPU)
 (660101-)

KEY	PART NO.	PART NAME	QTY	SERIAL NO.	REMARKS
1	AE49773	KIT	1		SLIDE LOCK
2	AH144523	UNIVERSAL JOINT YOKE	1		
3	JD7760	LUBRICATION FITTING	2		65° X 21.336 MM LONG (0.840" LONG)
4	BP12946	SNAP RING	4		
5	AE23516	CROSS AND BEARING ASSEMBLY	2		
6	AH145203	YOKE, WITH SHAFT	1		
7	AH143512	KIT	2		NYLON BEARING
8	BEARING	1		(SUB AH143512)
9	DECAL	2		(SUB E82514) "DANGER"
10	AH154742	POWERSHAFT SHIELD	1		OUTER
11	AH154740	PTO POWR-GARD SHIELD	1		INNER
12	JD7842	LUBRICATION FITTING	1		
13	AH145205	YOKE, WITH TUBE	1		
14	AH141248	UNIVERSAL JOINT YOKE	1		
	14M7401	LOCK NUT	2		M12
15	19M7818	SCREW	2		M12 X 80
16	AH141283	U-JOINT, WITH SHAFT & SHIELD	1		(SUB AH154737) COMPLETE
	AH154737	U-JOINT, WITH SHAFT & SHIELD	1		(SUB AH155077)
	AH155077	UNIVERSAL DRIVESHAFT	1		

5H17

FEEDER HOUSE

CONTOUR MASTER DRIVESHAFT (2JUN97-)
HP6728 -UN-02JUN97



HP6728

5H18

FEEDER HOUSE

CONTOUR MASTER DRIVESHAFT (2JUN97-) - CONTINUED

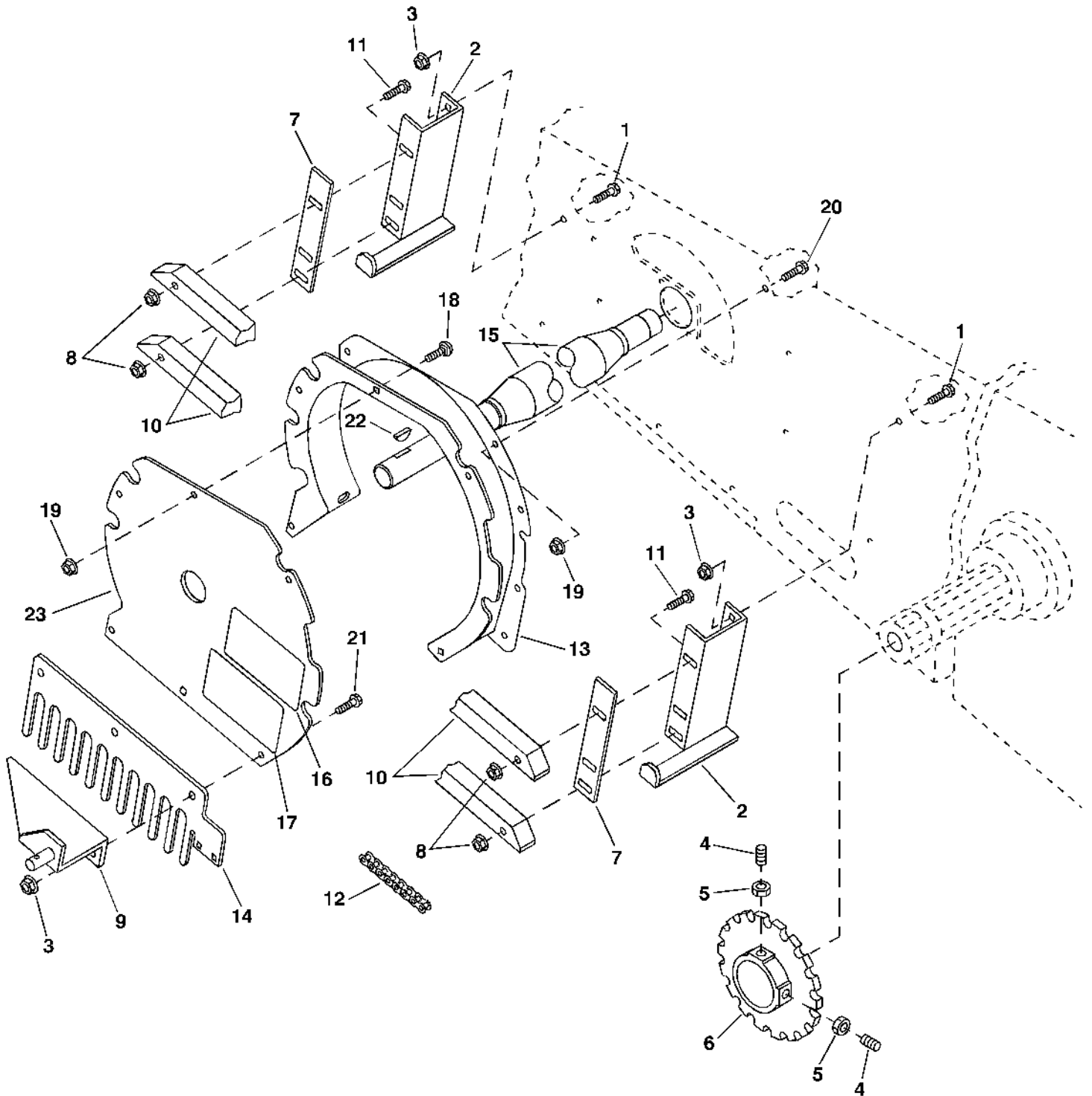
KEY	PART NO.	PART NAME	QTY	SERIAL NO.	REMARKS
1	AH154742	POWERSHAFT SHIELD	1		
2	H161296	SHIELD	2		
3	AH154741	YOKE, WITH TUBE	1		
4	H161295	YOKE WITH LOCKING COLLAR	1		
5	AH154740	PTO POWR-GARD SHIELD	1		
6	AH154737	U-JOINT,WITH SHAFT & SHIELD	1		
7	H161294	SPACER	1		
8	AH154739	YOKE, WITH SHAFT	1		
9	AH154738	UNIVERSAL JOINT YOKE	1		
..	AH154743	KIT	1		

5H19

FEEDER HOUSE

FEEDER CONVEYOR DRIVE CHAIN, TIGHTENER AND GUIDES-RETROFIT INSTALLATION (5JAN98-)

HP7294 -UN-12JAN98



HP7294

5H20

FEEDER HOUSE

FEEDER CONVEYOR DRIVE CHAIN, TIGHTENER AND GUIDES-RETROFIT INSTALLATION - CONTINUED (5JAN98-)

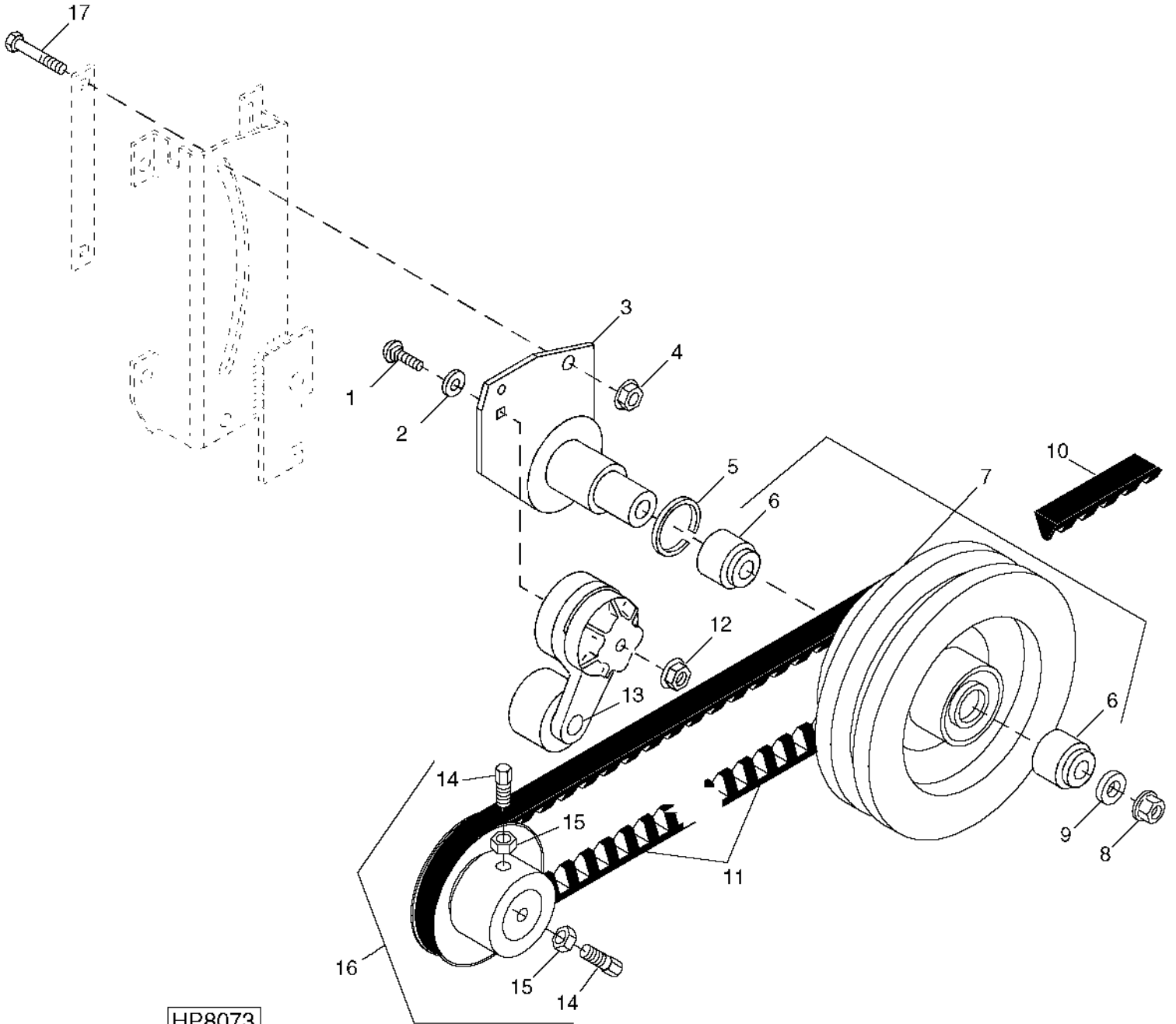
KEY	PART NO.	PART NAME	QTY	SERIAL NO.	REMARKS
1	03M7190	BOLT	2		
2	H162325	BRACKET	2		
3	14M7296	FLANGE NUT	6		
4	A50743	BOLT	2		
5	14M7272	NUT	2	M6	
6	H135772	WHEEL	1		ROLLER, TYPE 60, 19 MM (3/4") 220 LINKS (SMALL SPROCKET) AND 223 LINKS (LARGE SPROCKET); (OR ASSEMBLE FROM (4) AB1288H AND AB1289H)
7	H162326	PLATE	1		
8	14M7400	LOCK NUT	4	M10	
9	AH155739	BRACKET	1		
10	H130530	GUIDE	2		
11	03M7233	BOLT	4	M10 X 70	
12	AH145029	LINK CHAIN	1		
13	AH155659	PLATE	1		
14	H172177	FINGER	1		(SUB FOR H162425)
15	H164410	SHAFT	1		WIDE AIRFLOW
16	H149063	LABEL	1		
17	H164537	SIGN	1		
18	19M7789	SCREW	1	M12 X 30	
19	14M7299	FLANGE NUT	7	M12	
20	03M7198	BOLT	6	M12 X 30	
21	19M7785	SCREW	2	M10 X 25	
22	26M6787	SHAFT KEY	3	10 X 32 MM	
23	H171318	COVER	1		(SUB FOR H162177)
..	BH81390	COMPLETE GOODS/SHIP. BUNDLE	1		NARROW FEEDER HOUSE
..	BH81446	COMPLETE GOODS/SHIP. BUNDLE	1		NARROW FEEDER HOUSE, CONTOUR MASTER

5H21

FEEDER HOUSE

LH SIDE FEEDER HOUSE DUST FAN BELT - RETROFIT INSTALLATION
HP8073 -UN-08APR99

(5JAN98-)



HP8073

5H22

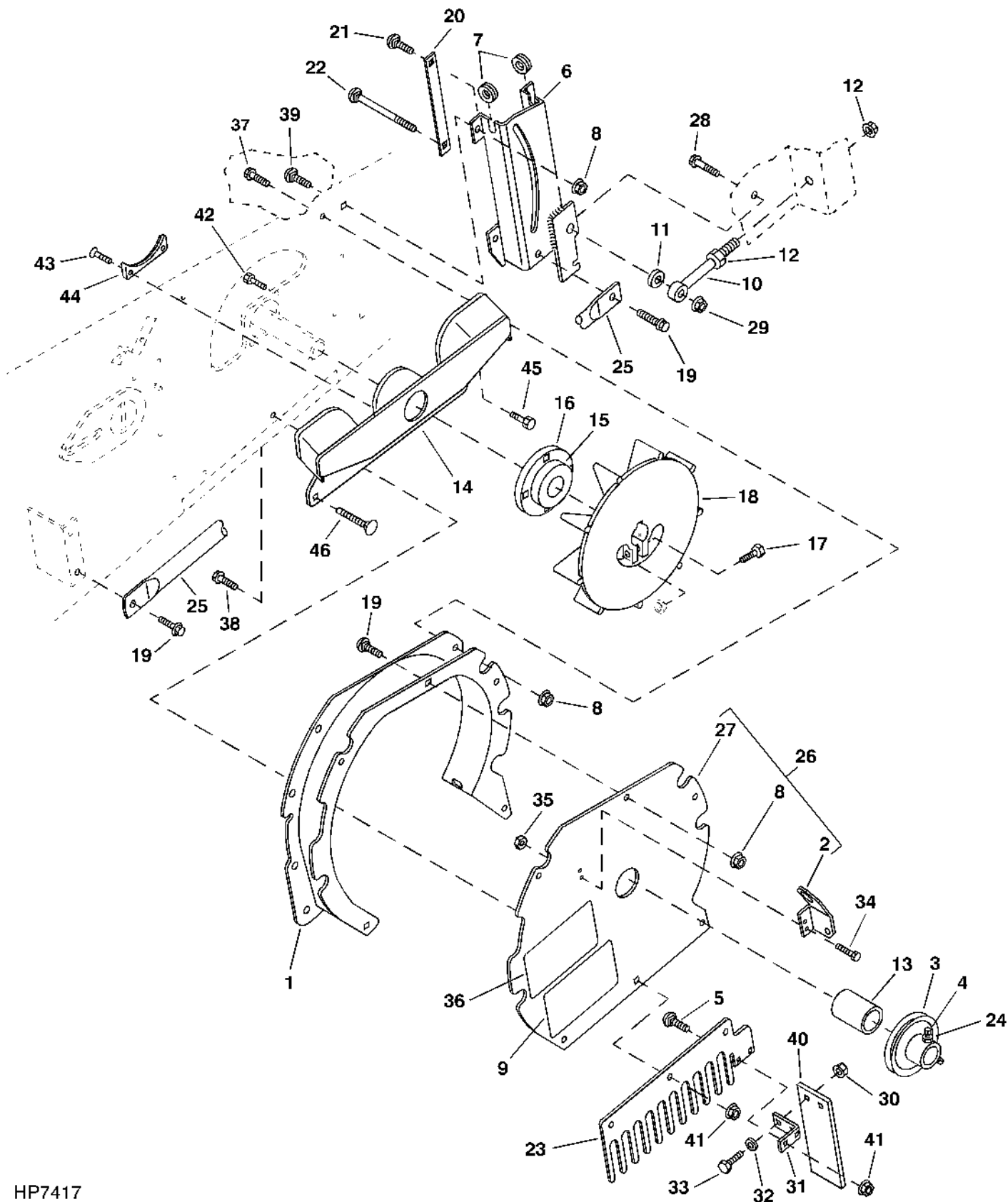
FEEDER HOUSE

LH SIDE FEEDER HOUSE DUST FAN BELT

KEY	PART NO.	PART NAME	QTY	SERIAL NO.	REMARKS
1	19M7809	SCREW	1	M10 X 70	
2	24M7028	WASHER	1	10.500 X 20 X 2 MM	
3	AH156975	BRACKET	1		
4	14M7296	FLANGE NUT	5	M10	
5	P46874	SNAP RING	1		
6	AN142665	BALL BEARING	2		
7	AH155715	SHEAVE	1		
8	14M7291	FLANGE NUT	3	M16	
9	24M7315	WASHER	1	17 X 50 X 3 MM	
10	H161648	BELT	1		
11	H164452	BELT	1		
12	14M7296	FLANGE NUT	3	M10	
13	AH155348	TIGHTENER	1		
14	H138435	SET SCREW	2	M10 X 25	
15	14M7152	NUT	2	M10	
16	AH155707	SHEAVE	1		
..	BH81390	COMPLETE GOODS/SHIP. BUNDLE	1		NARROW FEEDER HOUSE
..	BH81446	COMPLETE GOODS/SHIP. BUNDLE	1		NARROW FEEDER HOUSE, CONTOUR MASTER

5H23

LH SIDE FEEDER HOUSE DUST FAN - RETROFIT INSTALLATION (5JAN98-)
HP7417 -UN-11FEB98



HP7417

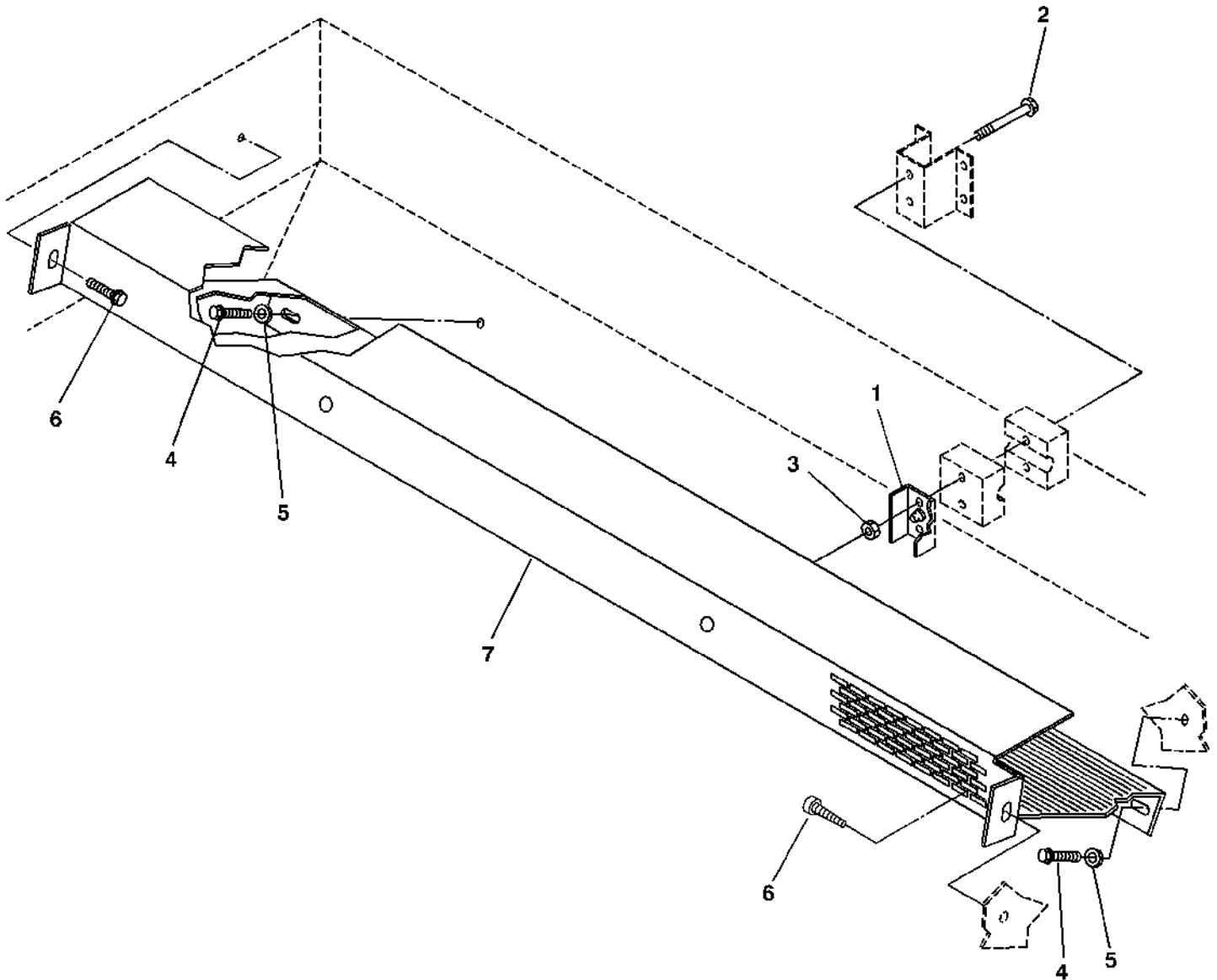
5H24

FEEDER HOUSE

LH SIDE FEEDER HOUSE DUST FAN - RETROFIT INSTALLATION (5JAN98-) - CONTINUED

KEY	PART NO.	PART NAME	QTY	SERIAL NO.	REMARKS
1	AH155657	PLATE	1		
2	H134417	BRACKET	1		
3	AH155706	SHEAVE	1		
	AH155707	SHEAVE	1		
4	H138435	SET SCREW	1		
5	03M7191	BOLT	1		
6	AH155703	BRACKET	1		
7	R66626	GROMMET	2		
8	14M7299	FLANGE NUT	AR	M12	
9	H164537	SIGN	1		
10	H164222	EYEBOLT	1		
11	24M7349	WASHER	2	21 X 37 X 3 MM	
12	14M7277	NUT	2	M20	
13	H163994	SPACER	1		
14	AH159053	SCOOP	1		
	AH159054	SCOOP	1		
15	AZ19427	BALL BEARING	1		
16	AH157168	BEARING	1		
17	19M7806	SCREW	1	M10 X 50	
18	AH157415	FAN	1		
19	19M7789	SCREW	3	M12 X 30	
20	H162211	ADJUSTING STRAP	1		
21	03M7205	BOLT	1	M16 X 40	
22	H163175	BOLT	1		
23	H172177	FINGER	1	(SUB FOR H162425)	
24	14M7152	NUT	1	M10	
25	H162278	BRACE	1		
26	AH155833	COVER	1		
27	H171318	COVER	1	(SUB FOR H162177)	
28	19M8224	CAP SCREW	1	M20 X 60	
29	14M7277	NUT	3	M20	
30	H135891	LOCK NUT	2	-2MAR98	
	14M7400	LOCK NUT	2	2MAR98-	M10
31	H164009	BRACKET	1		
32	24M7178	WASHER	2	10.500 X 30 X 2.500 MM	
33	03M7191	BOLT	2	M10 X 25	
34	03M7183	BOLT	2	M8 X 16	
35	14M7298	FLANGE NUT	2	M8	
36	H149063	LABEL	1		
37	03M7198	BOLT	6	M12 X 30	
38	19M7785	SCREW	2	M10 X 25	
39	03M7192	BOLT	5	M10 X 30	
40	H164018	LIMIT CURTAIN	2		
41	14M7296	FLANGE NUT	AR	M10	
42	H165317	SCREW	4		
43	H165318	SCREW	2		
44	H164391	STRIPPER	2		
45	03M7198	BOLT	2		
46	03M7197	BOLT	4	M12 X 25	
..	BH81390	COMPLETE GOODS/SHIP. BUNDLE	1	NARROW FEEDER HOUSE	
..	BH81446	COMPLETE GOODS/SHIP. BUNDLE	1	NARROW FEEDER HOUSE, CONTOUR MASTER	

INTAKE SHIELD
HP7287 -UN-05DEC97



HP7287

INTAKE SHIELD

KEY	PART NO.	PART NAME	QTY	SERIAL NO.	REMARKS
1	AH155275	FITTING	1		
2	19M8039	SCREW	2		M8 X 80
3	14M7396	LOCK NUT	2		M8
4	37M7086	SCREW	2		M10 X 20
5	24M7178	WASHER	2		10.500 X 30 X 2.500 MM
6	19M7800	SCREW	2	-28SEP7	M8 X 50
	37M7058	SCREW	2	29SEP7-	M8 X 20
7	H157036	SHIELD	2	-28SEP7	WIDE
	H164494	SHIELD	1	29SEP7-	
..	BH80538	COMPLETE GOODS/SHIP. BUNDLE	1		CLEANING FAN SHIELD, NARROW
..	BH80539	COMPLETE GOODS/SHIP. BUNDLE	1		CLEANING FAN SHIELD, NARROW

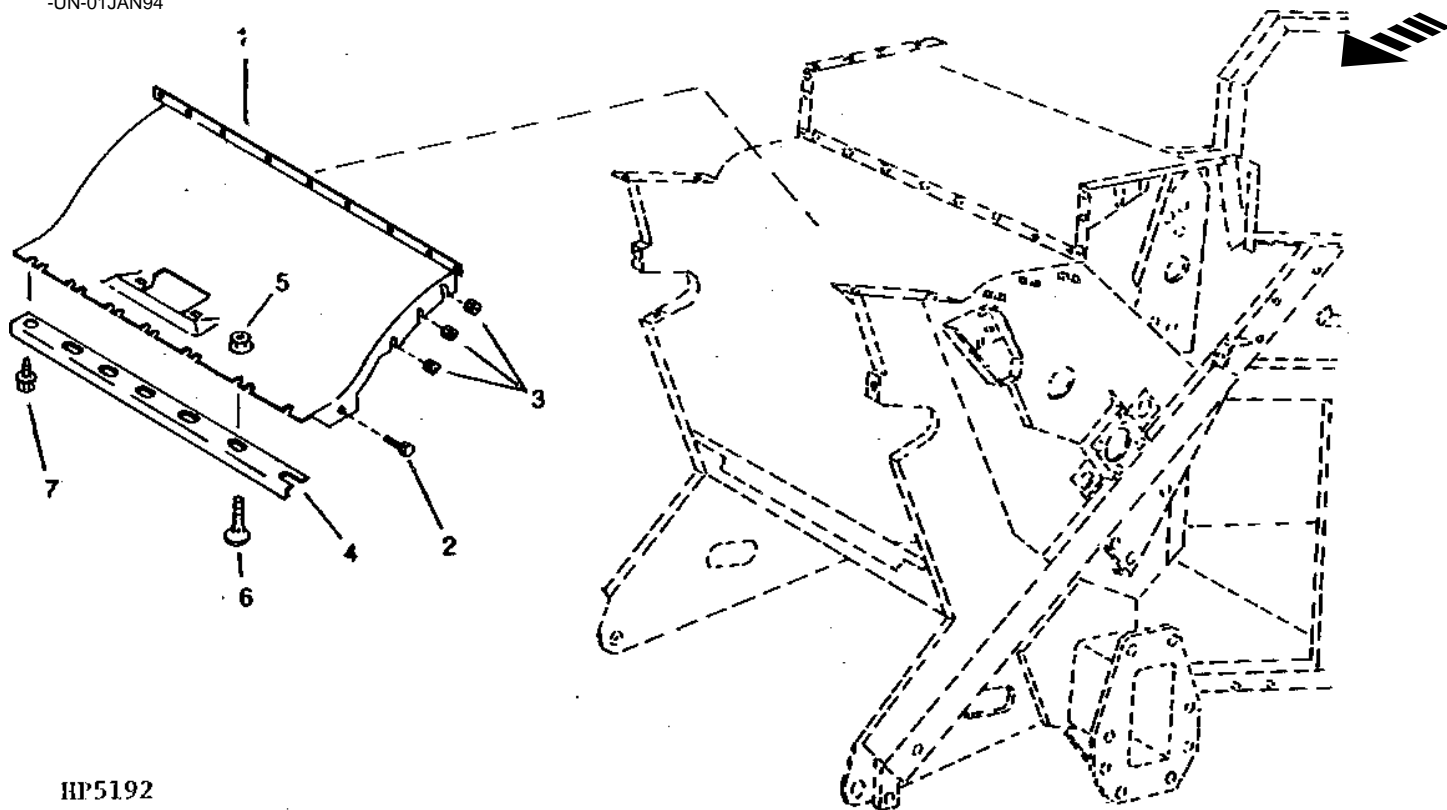
MEMORANDA

6B13

THRESHING AND SEPARATION

THRESHING CYLINDER COVER

HP5192 -UN-01JAN94



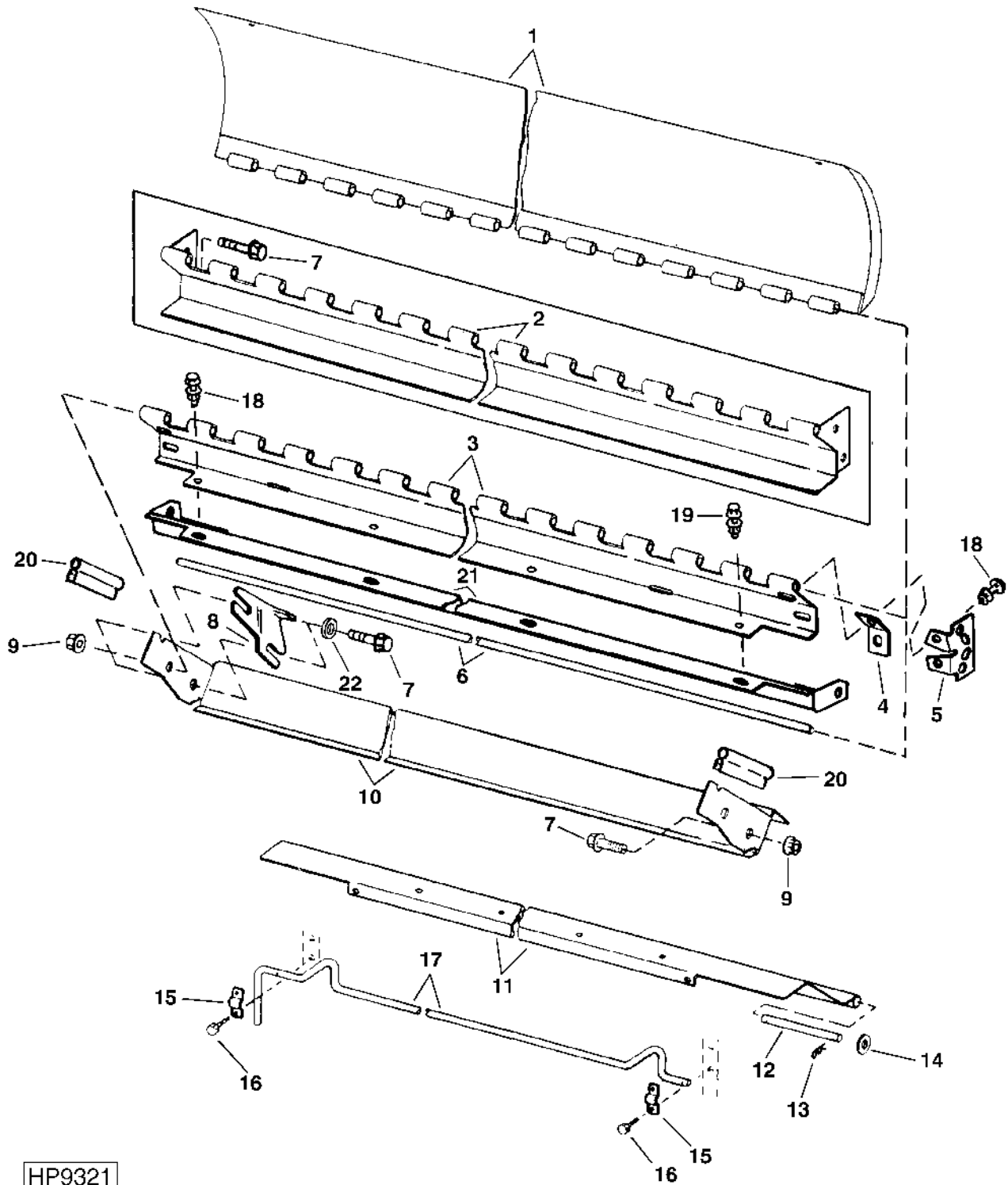
HP5192

KEY	PART NO.	PART NAME	QTY	SERIAL NO.	REMARKS
1	H133145	COVER	1	-640100	
	AH139445	COVER	1	640101-650100	(SUB FOR AH137235)
	H147845	COVER	1	650101-	
2	19M7785	SCREW	2		M10 X 25
3	14M7296	FLANGE NUT	8		M10
4	H134168	SEAL	1		FOR CORN ONLY
5	14M7298	FLANGE NUT	6		M8
6	03M7183	BOLT	6		M8 X 16
7	37M7092	SCREW	1		M8 X 16

6B14

THRESHING AND SEPARATION

SEPARATOR / FEEDER HOUSE SEAL, STONE TRAP AND DOOR
HP9321 -UN-19NOV99



HP9321

6B15

THRESHING AND SEPARATION

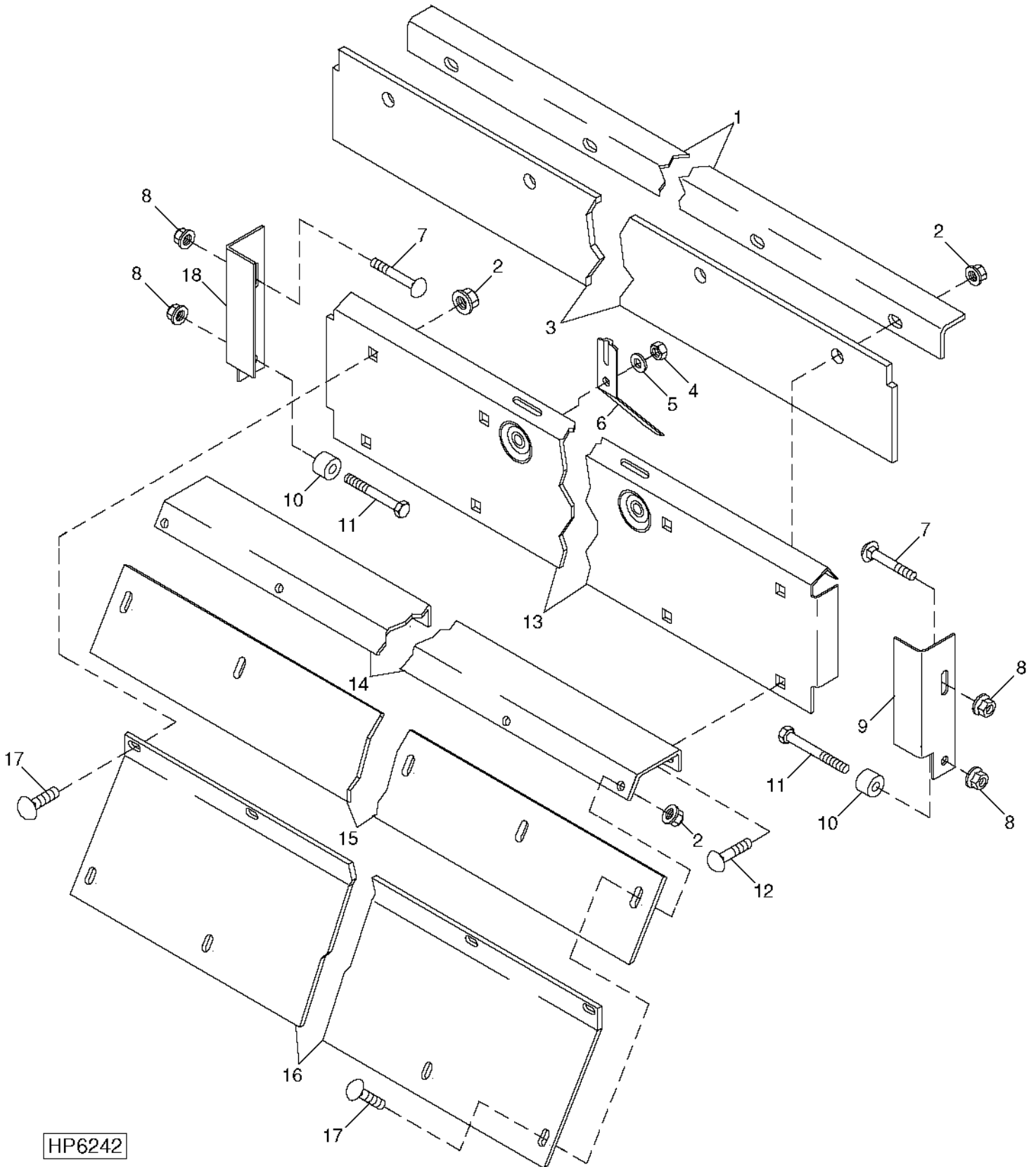
SEPARATOR / FEEDER HOUSE SEAL, STONE TRAP AND DOOR - CONTINUED

KEY	PART NO.	PART NAME	QTY	SERIAL NO.	REMARKS
1	AH120502	PLATE	1		
2	AH139313	HINGE	1	-650100	(SUB FOR AH130940) (SUB (2) H148018, (2) H148019 AND H148021)
3	H148021	HINGE	1	650101-	
4	H148019	REINFORCEMENT	2	650101-	
5	H148018	SUPPORT	2	650101-	
6	H117953	PIN	1		MAKE FROM H130057 - CUT TO 1385 MM
7	19M7812	SCREW	6		M10 X 100
8	H146730	STOP	1	640817-	(SUB FOR H139338 OR H144801) CASTING
9	14M7296	FLANGE NUT	6		M10
10	H134853	DEFLECTOR	1	-650100	
	H151067	DEFLECTOR	1	650101-	
11	H134335	DOOR	1		
12	H148925	PIN	2		(SUB FOR H118068)
13	11M7030	COTTER PIN	4		5 X 40 MM
14	24M7051	WASHER	2		21 X 37 X 3 MM
15	H134339	BRACKET	2		
16	37M7080	SCREW	4		M10 X 30
17	H134338	ROD	1		
18	03M7191	BOLT	4	650101-	
	14M7296	FLANGE NUT	4	650101-	
19	19M7866	SCREW	4		
	14M7298	FLANGE NUT	4		
20	H151068	SHIELD	2	650101-	
21	H148023	ANGLE	1	650101-	(FIELD CONVERSION ONLY)
22	24M7178	WASHER	2	29SEP7-	10.500 X 30 X 2.500 MM

6B16

THRESHING AND SEPARATION

CYLINDER DOOR
(FOR CORN) (-650100)
HP6242 -UN-24AUG99



HP6242

6B17

THRESHING AND SEPARATION

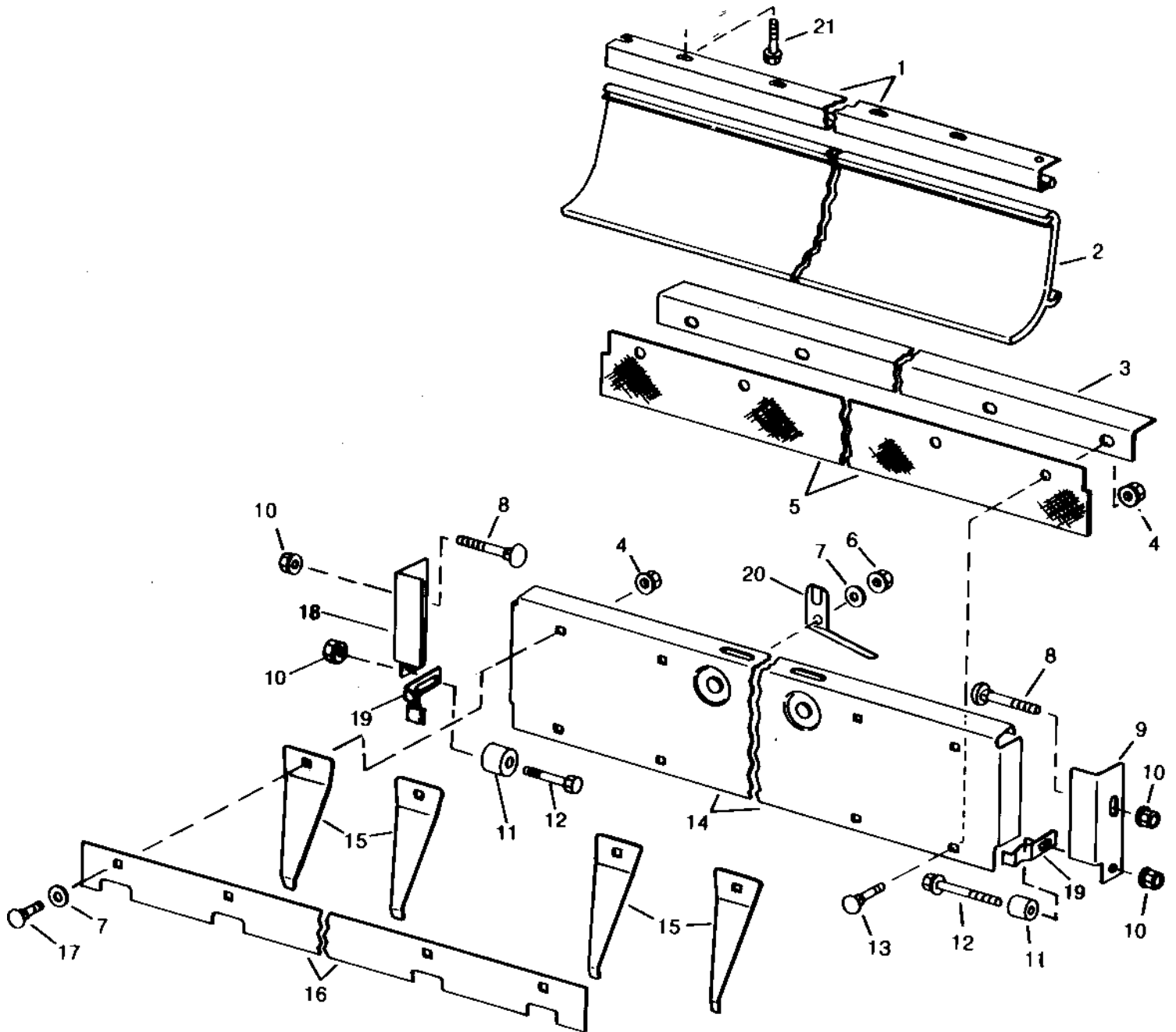
CYLINDER DOOR - CONTINUED
(FOR CORN) (-650100)

KEY	PART NO.	PART NAME	QTY	SERIAL NO.	REMARKS
1	H134160	SUPPORT	1	-650100	(SUB H148063)
	H148063	SUPPORT	1		
2	14M7298	FLANGE NUT	24		M8
3	H134157	SEAL	1	-650100	(SUB H148061)
	H148061	ADJUSTING STRAP	1	-655100	(SUB H150133)
	H150133	SEAL	1		
4	14M7396	LOCK NUT	2		M8
5	24M7207	WASHER	2		8.400 X 24 X 2 MM
6	H134654	HANDLE	2		
7	03M7247	BOLT	2		M10 X 90
8	14M7296	FLANGE NUT	4		M10
9	H134165	SUPPORT	1		
10	E50096	BUSHING	2		
11	19M7944	SCREW	2		M10 X 120
12	03M7185	BOLT	8		M8 X 25
13	AH130202	DOOR	1		
14	H134154	REINFORCEMENT	1		
15	H134163	SEAL	1		
16	H134151	ISOLATOR	1		
17	03M7183	BOLT	16		M8 X 16
18	H134164	SUPPORT	1		

6B18

THRESHING AND SEPARATION

CYLINDER DOOR
(CORN AND GRAIN) (650101-655208)
HP5812 -UN-04JAN96



HP5812

6B19

THRESHING AND SEPARATION

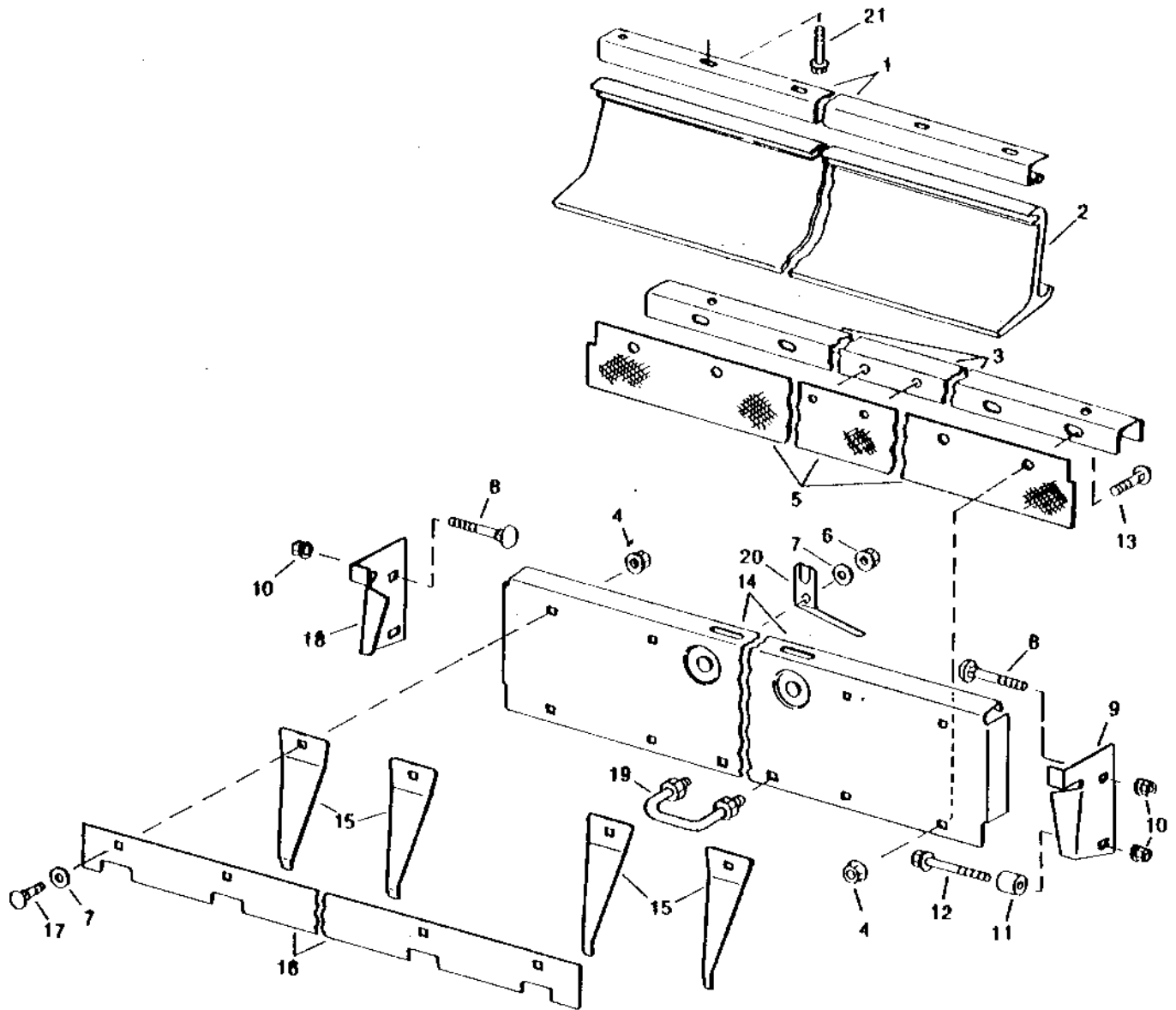
**CYLINDER DOOR - CONTINUED
(CORN AND GRAIN) (650101-655208)**

KEY	PART NO.	PART NAME	QTY	SERIAL NO.	REMARKS
1	AH142422	CHANNEL	1		(SUB H150128)
	H150128	HINGE	1		
2	AH142551	DOOR	1		
3	H148063	SUPPORT	1		
4	14M7298	FLANGE NUT	14		M8
5	H148061	ADJUSTING STRAP	1	-655100	(SUB H150133)
	H150133	SEAL	1		
6	14M7396	LOCK NUT	2		M8
7	24M7207	WASHER	2		8.400 X 24 X 2 MM
8	03M7247	BOLT	2		M10 X 90
9	H134165	SUPPORT	1		R.H.
10	14M7296	FLANGE NUT	4		M10
11	E50096	BUSHING	2		10.312 X 25.400 X 27.940 MM (13/32" X 1" X 1.100")
12	19M7944	SCREW	2		M10 X 120
13	03M7185	BOLT	8		M8 X 25
14	AH130202	DOOR	1		
15	H148058	SPRING	4		
16	H148066	STRIP	1		
17	03M7183	BOLT	6		M8 X 16
18	H134164	SUPPORT	1		L.H.
19	H148057	STOP	2		
20	H134654	HANDLE	2		
21	19M7866	SCREW	6		

6B20

THRESHING AND SEPARATION

CYLINDER DOOR
(CORN AND GRAIN) (655208-)
HP5678 -UN-01JAN94



HP5678

6B21

THRESHING AND SEPARATION

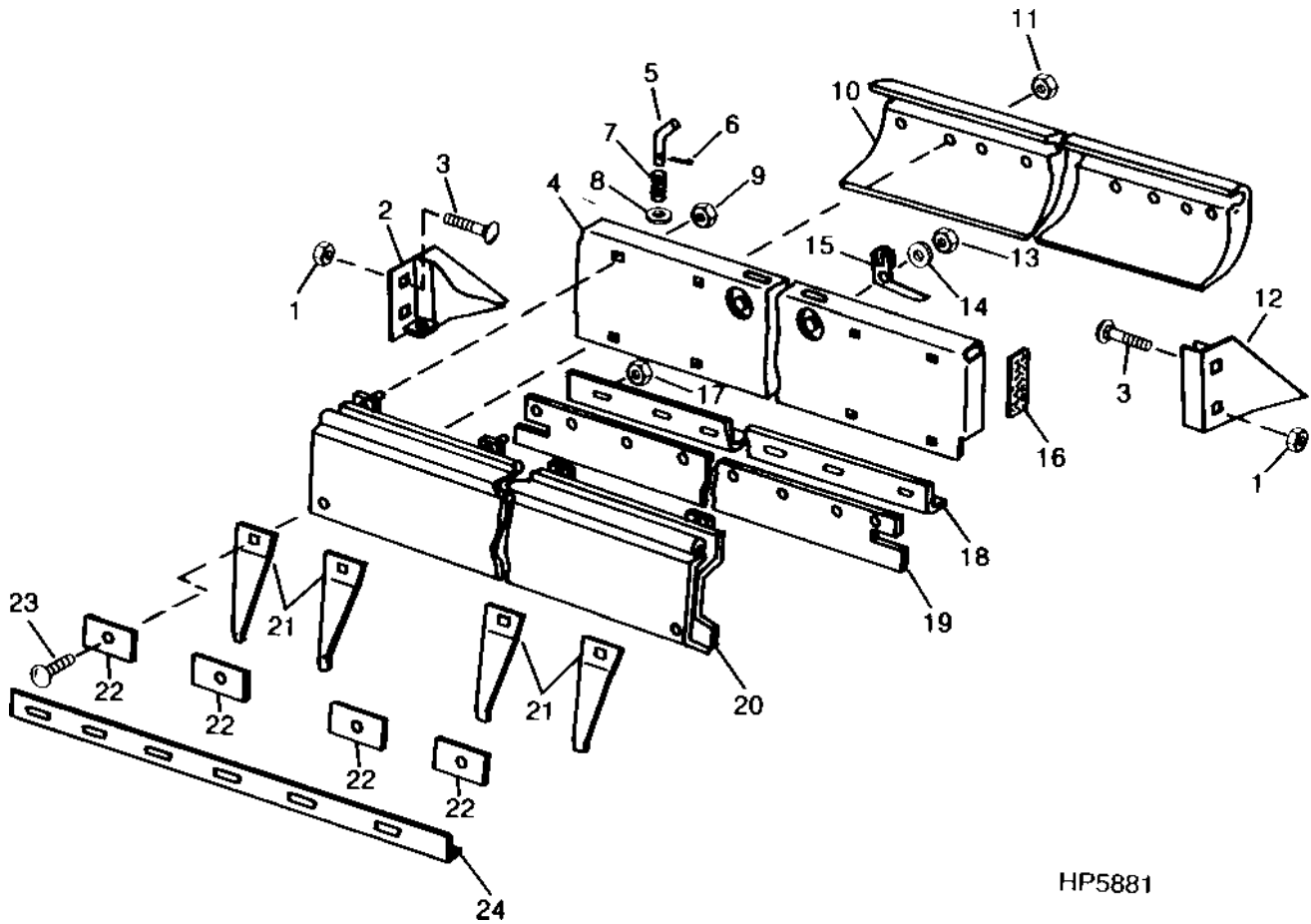
CYLINDER DOOR - CONTINUED
(CORN AND GRAIN) (655208-)

KEY	PART NO.	PART NAME	QTY	SERIAL NO.	REMARKS
1	H150128	HINGE	1		
2	AH144104	DEFLECTOR	1		(USE WITH H150134)
	H150134	SEAL	1		
3	H150130	SUPPORT	1		
4	14M7298	FLANGE NUT	14	M8	
5	H150133	SEAL	1		
6	14M7396	LOCK NUT	2	M8	
7	24M7047	WASHER	2		13 X 24 X 2.500 MM (0.512" X 0.945" X 0.098")
8	03M7247	BOLT	2		M10 X 90
9	SUPPORT	1		(ORDER AH144609) (INCLUDES BOTH R.H. AND L.H. SUPPORTS)
10	14M7296	FLANGE NUT	4	M10	
11	E50096	BUSHING	2		10.312 X 25.400 X 27.940 MM (13/32" X 1" X 1.100")
12	19M7944	SCREW	2		M10 X 120
13	03M7185	BOLT	8	-655100	M8 X 25
	03M7184	BOLT	9	655101-	M8 X 20
14	AH130202	DOOR	1		
15	H148058	SPRING	4		
16	H148066	STRIP	1		
17	03M7183	BOLT	6		M8 X 16
18	SUPPORT	1		(ORDER AH144609) (INCLUDES BOTH R.H. AND L.H. SUPPORTS)
19	H150131	U-BOLT	2		(SUB AH144609)
	14H785	NUT	1		7.925 MM (5/16")
	14H1042	NUT	1		7.925 MM (5/16")
20	H134654	HANDLE	2		
21	19M7866	SCREW	6		M8 X 20

6B22

THRESHING AND SEPARATION

CORN CYLINDER DOOR
(ARGENTINA ONLY)
HP5881 -UN-20JUL95



HP5881

6B23

THRESHING AND SEPARATION

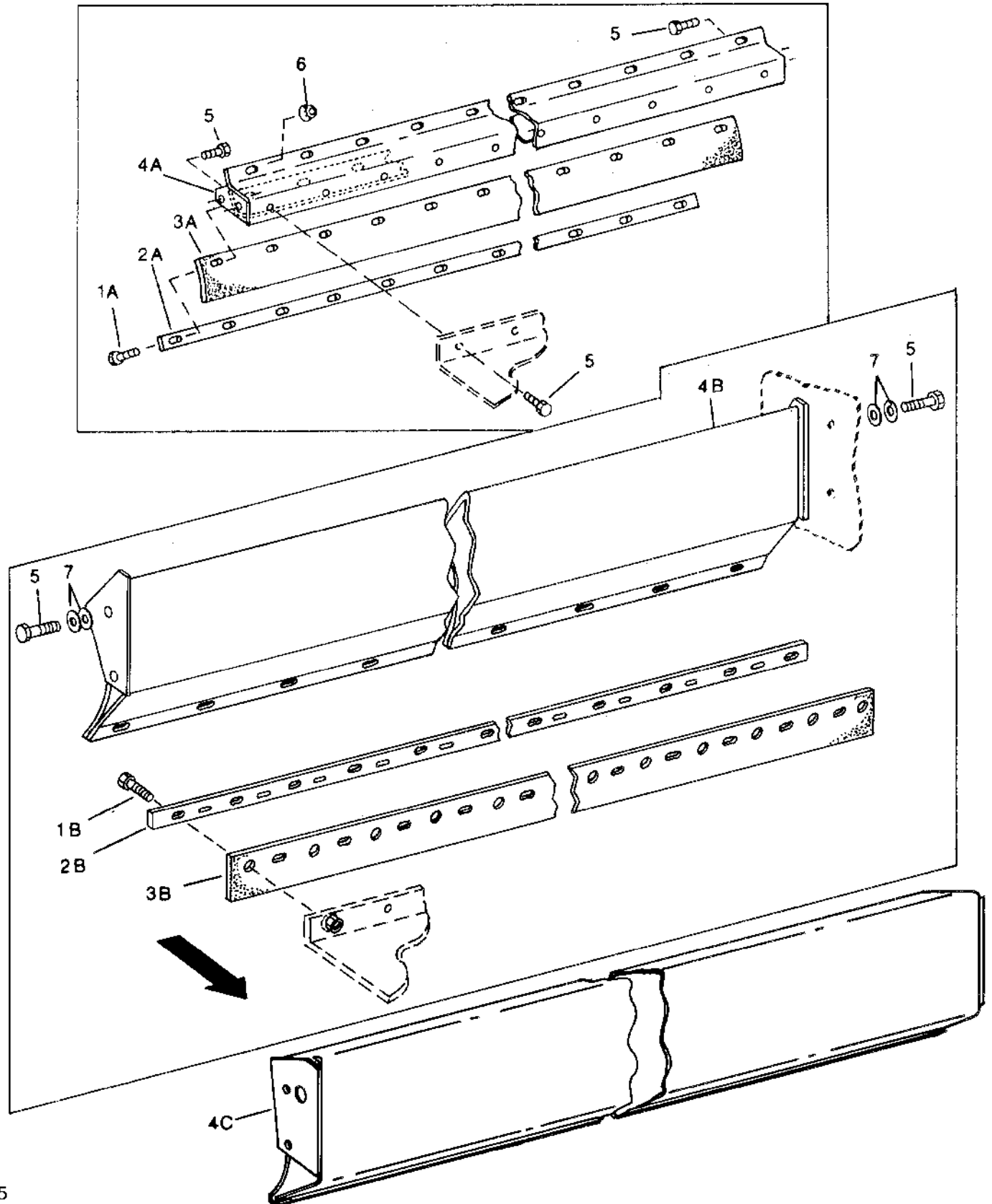
CORN CYLINDER DOOR - CONTINUED (ARGENTINA ONLY)

KEY	PART NO.	PART NAME	QTY	SERIAL NO.	REMARKS
1	14M7296	FLANGE NUT	2	M10	
2	AH144777	STOP	1	L.H.	
3	03M7247	BOLT	2	M10 X 90	
4	AH144599	DOOR	1		
5	H150746	PIN	2		
6	11M7059	COTTER PIN	2	3.200 X 20 MM (0.126" X 0.787")	
7	HZ5621H	SPRING	2		
8	24H1305	WASHER	2	10.312 X 20.625 X 1.651 MM (13/32" X 13/16" X 0.065")	
9	14M7298	FLANGE NUT	5	M8	
10	H150514	DEFLECTOR	1		
11	14M7165	LOCK NUT	4	M6	
12	AH144776	STOP	1	R.H.	
13	14M7396	LOCK NUT	2	M8	
14	24M7207	WASHER	2	8.400 X 24 X 2 MM (0.331" X 0.945" X 0.079")	
15	H134654	HANDLE	2		
16	H150134	SEAL	2		
17	14M7166	LOCK NUT	9	M8	
18	H151048	ANGLE	1		
19	H151476	SEAL	1		
20	AH144601	PANEL	1		
21	H148058	SPRING	4		
22	H150682	STRAP	4		
23	19M6755	CAP SCREW	4	M6 X 35	
24	H151527	SEAL	1		

6B24

THRESHING AND SEPARATION

CYLINDER SHEAR BAR
HP6565 -UN-15NOV96



HP6565

6B25

THRESHING AND SEPARATION

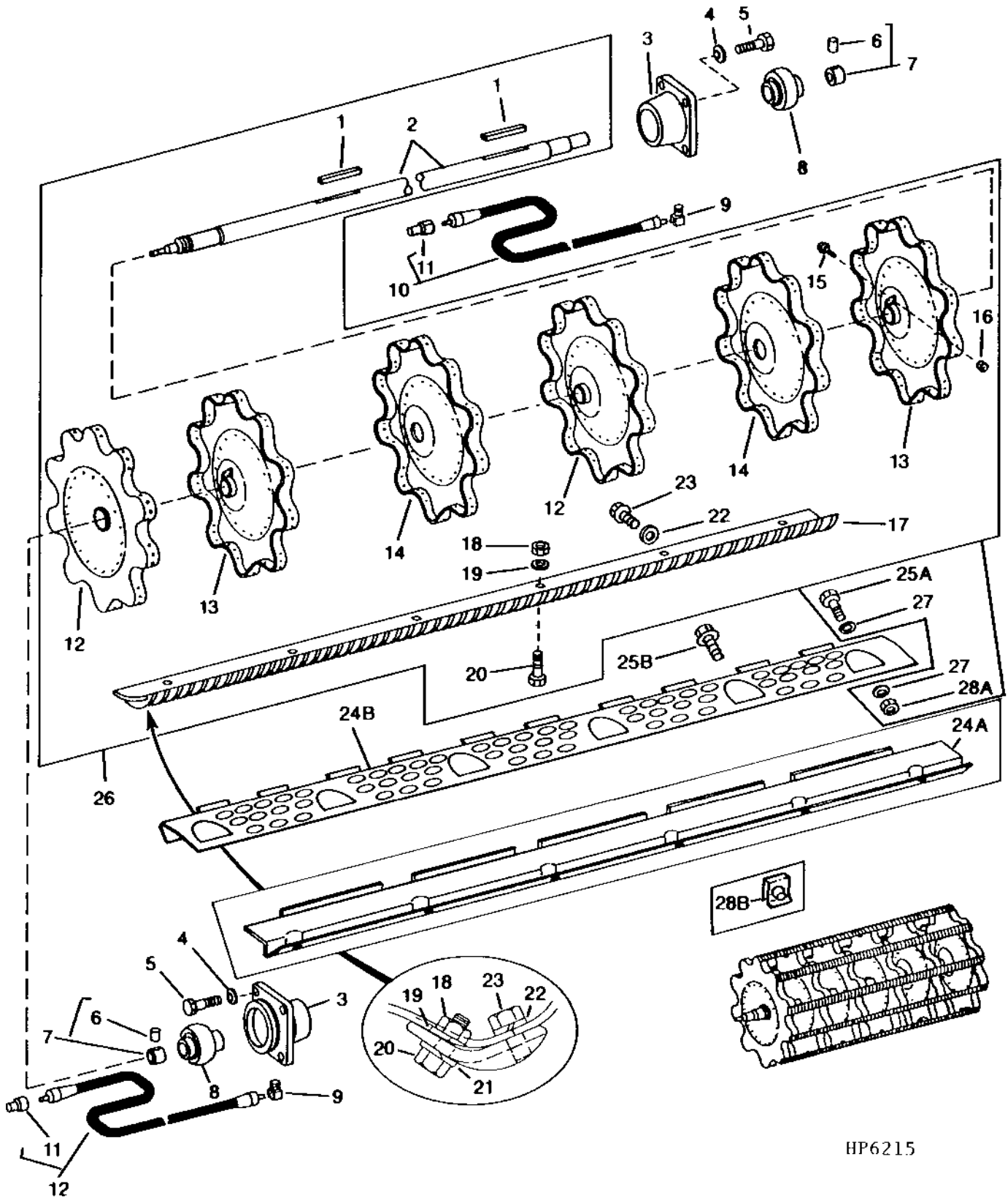
CYLINDER SHEAR BAR - CONTINUED

KEY	PART NO.	PART NAME	QTY	SERIAL NO.	REMARKS
1A	37M7096	SCREW	11	-640100	M8 X 35
1B	19M7867	SCREW	6	640101-650100	
2A	H77514	STRAP	1	-640100	
2B	H143389	STRIP	1	640101-650100	
3A	H77512	SEAL	1	-640100	
3B	H143387	SEAL	1	640101-650100	
4A	AH126295	TIE BAR	1	-640100	
4B	AH137233	STRIPPER	1	640101-650100	
4C	AH141618	STRIPPER	1	650101-29SEP7	
5	37M7080	SCREW	10		M10 X 30
6	14M7298	FLANGE NUT	6		M8
7	24M7101	WASHER	4	645195-29SEP7	11 X 34 X 3 MM

6C1

THRESHING AND SEPARATION

RASP BAR THRESHING CYLINDER
HP6215 -UN-04JAN96



HP6215

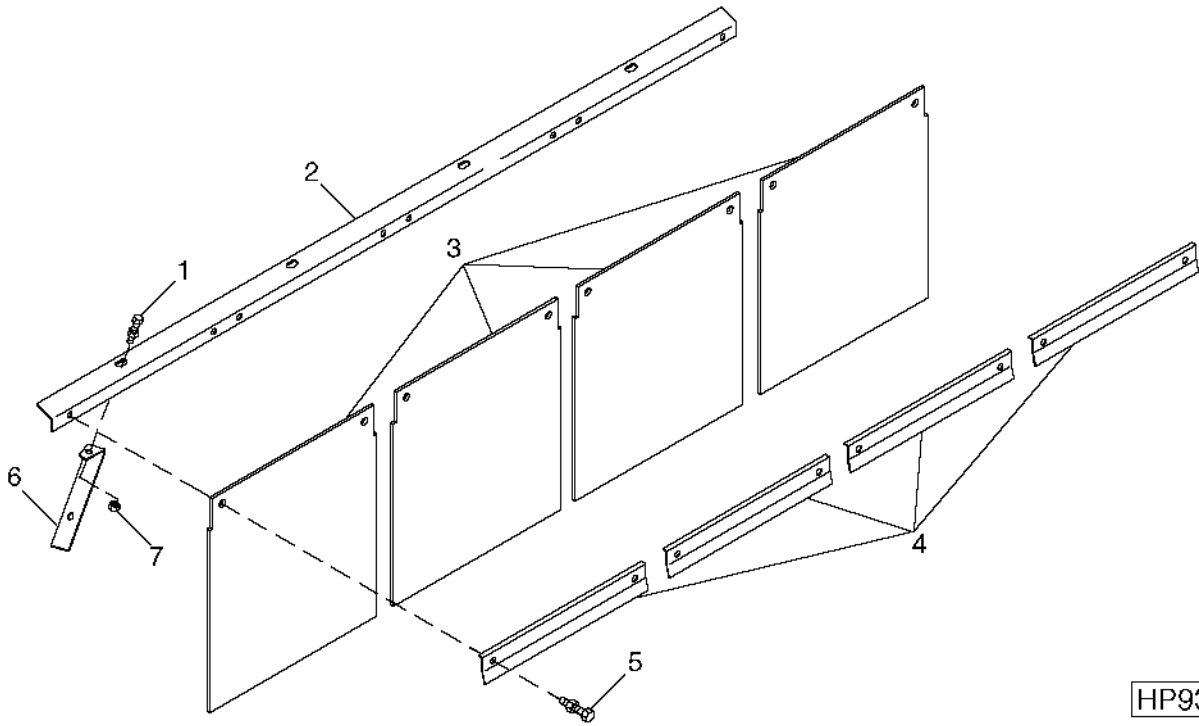
RASP BAR THRESHING CYLINDER - CONTINUED

KEY	PART NO.	PART NAME	QTY	SERIAL NO.	REMARKS
1	SHAFT KEY	2		(CUT FROM H64376) IN AH64587 KEY STOCK KIT
2	H140043	SHAFT	1		DUAL RANGE
	H145970	SHAFT	1		(SUB FOR H127972) SINGLE RANGE
3	H99149	HOUSING	2		
4	12H304	LOCK WASHER	8		3/8"
5	19H1732	CAP SCREW	8	-640684	3/8" X 1-1/4"
	19M7785	SCREW	8	640685-	M10 X 25
6	SET SCREW	2		
7	JD10342	ECCENTRIC LOCKING COLLAR	2		
8	JD10343	BALL BEARING	2		
9	JD7845	ELBOW FITTING	2		
10	AH121009	HOSE	2		1/8" X 910 MM (35-3/4") X 1/8"
11	JD7759	LUBRICATION FITTING	2		
12	AH126720	THRESHING CYLINDER HEAD	2		WITH PILOT HUB
13	AH126719	THRESHING CYLINDER HEAD	2		WITH KEYED HUB
14	H131878	THRESHING CYLINDER HEAD	2		WITH NO HUB
15	19H1820	CAP SCREW	2		1/2" X 3"
	12H301	LOCK WASHER	2		1/2"
16	14H1040	NUT	2		1/2", (SUB FOR 14H809)
17	AH134145	RASP BAR	1		(SUB AH161400) L.H. (PACKAGE OF FIVE)(CHROMED)
	AH134144	RASP BAR	1		(SUB AH161405) R.H. (PACKAGE OF FIVE)(CHROMED)
	AH139768	RASP BAR	1		(SUB AH161410) SMOOTH RASP BAR
	AH161400	RASP BAR	1		L.H. (PACKAGE OF FIVE) CHROMED
	AH161405	RASP BAR	1		R.H (PACKAGE OF FIVE) CHROMED
	AH161407	RASP BAR	1		(SUB FOR AH139433) L.H. (PACKAGE OF FIVE) BLACK
	AH161409	RASP BAR	1		(SUB FOR AH139432) R.H. (PACKAGE OF FIVE) BLACK
	AH161410	RASP BAR	1		SMOOTH RASP BAR
18	H99923	LOCK NUT	60		WITH RASP BAR
	H135891	LOCK NUT	AR		
19	24H1308	WASHER	60		WITH RASP BAR
20	19H3239	CAP SCREW	60		3/8" X 1-1/4"
	19M7402	CAP SCREW	AR		M10 X 25
21	24M7096	WASHER	2		(SUB FOR 24H1303)
22	12H304	LOCK WASHER	60		3/8"
23	19H2554	CAP SCREW	60	655482-	9.525 X 15.875 MM (3/8" X 5/8") (SUB FOR H89853)
	19M7783	SCREW	AR		M10 X 16
24A	H135988	DEFLECTOR	10	-640100	
	H144037	DEFLECTOR	10	640101-665100	
24B	H150837	DEFLECTOR	10	665101-	PERFORATED
25A	19M7785	SCREW	60	-640100	M10 X 25
25B	H145773	SELF-LOCKING SCREW	60	640100-	M10 X 35
26	AH140131	RASP-BAR CYLINDER	1		(SUB AH162827) (SUB FOR AH127611) SINGLE RANGE WITH CHROMED BARS
	AH162797	RASP-BAR CYLINDER	1		(SUB FOR AH144545) SINGLE RANGE WITH BLACK BARS
	AH162821	RASP-BAR CYLINDER	1		(SUB FOR AH144544) DUAL RANGE WITH BLACK BARS
	AH162827	RASP-BAR CYLINDER	1		SINGLE RANGE WITH CHROMED BARS
	AH162833	RASP-BAR CYLINDER	1		(INCLUDES T16464) (SUB FOR AH134658) DUAL RANGE WITH CHROME BARS
27	24H1308	WASHER	120	-640100	13/32" X 1" X 0.134", WITH DEFLECTOR
28A	H99923	LOCK NUT	120	-640100	WITH DEFLECTOR
28B	H143834	NUT	120	640101-640300	WITH DEFLECTOR
	H146457	NUT	120	640301-	10 MM
..	AH140417	PACKAGE OF PARTS	1		INCLUDES (60) H145773 CAP SCREWS,(60) H146457 CLIP NUTS AND (60) 24H1308 WASHERS
..	AH161818	KIT	1		(SUB AH163920 OR AH163921) (SUB FOR AH146116) METRIC
..	AH163920	KIT	2		(INCLUDES (35) H135891, (35) 19M7402 AND (35) 19M7783) METRIC
..	AH163921	KIT	1		(INCLUDES (14) H135891, (14) 19M7402 AND (14) 19M7783) METRIC
..	BH80491	COMPLETE GOODS/SHIP. BUNDLE	1		SPIKETooth TO RASP BAR CONVERSION (SMALL GRAIN)
..	BH80497	COMPLETE GOODS/SHIP. BUNDLE	1		SPIKETooth TO RASP BAR CONVERSION (SMALL GRAIN)
..	BH81162	COMPLETE GOODS/SHIP. BUNDLE	1		PERFORATED FILLER PLATES NARROW

6C3

THRESHING AND SEPARATION

BEATER GRATE CURTAIN
HP9323 -UN-18NOV99



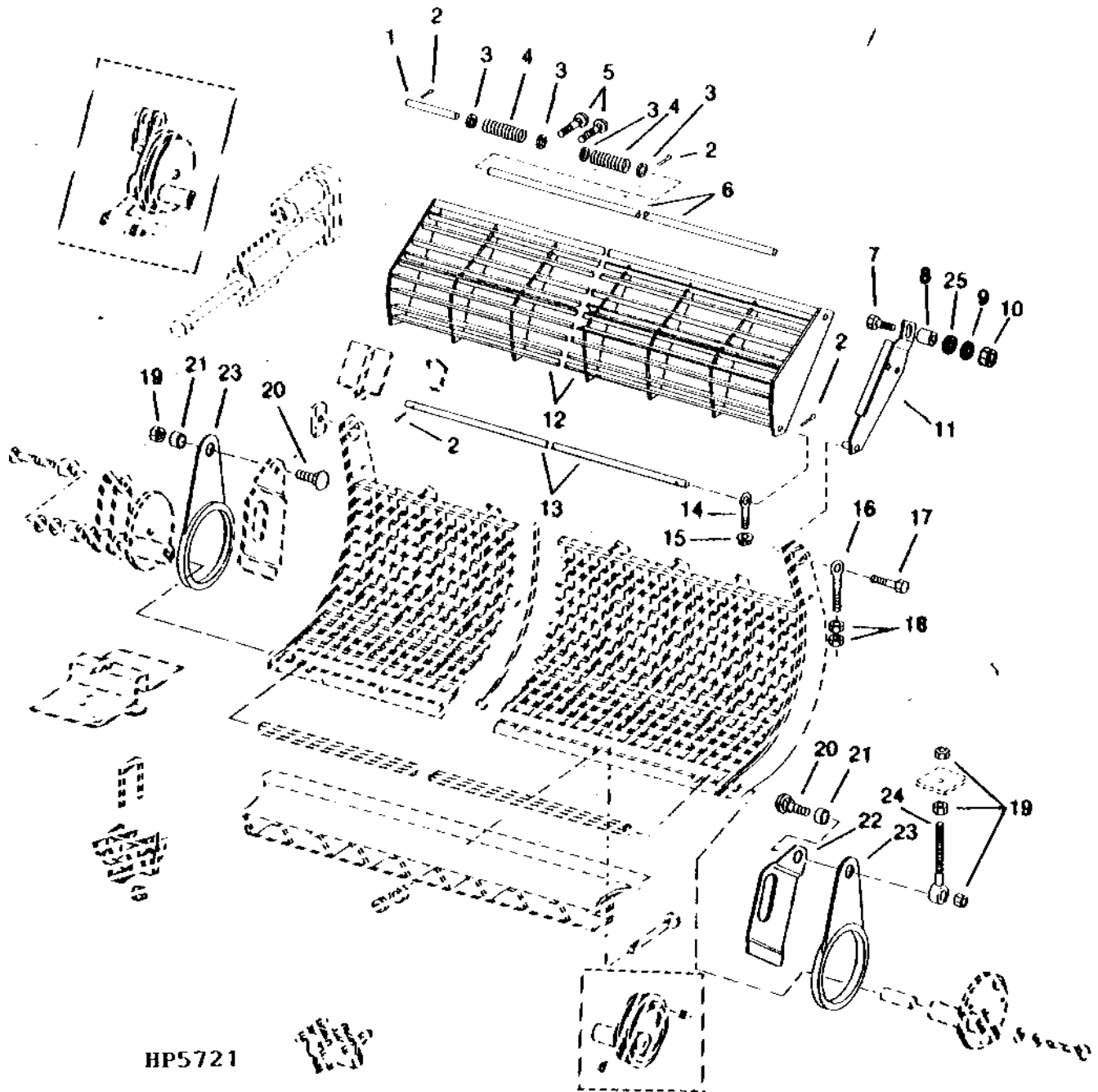
KEY	PART NO.	PART NAME	QTY	SERIAL NO.	REMARKS
1	19M7866	SCREW	8		M8 X 20
	14M7298	FLANGE NUT	8		M8
2	H148301	ANGLE	1		
3	H148305	LIMIT CURTAIN	4		
4	H148302	ANGLE	2		
5	19M7866	SCREW	8		M8 X 20
	14M7298	FLANGE NUT	8	-660100	M8
	14M7396	LOCK NUT	8	660101-665288	M8
6	H148304	SUPPORT	4	665289-	(SUB FOR AH144081)
7	H156360	NUT	4	665289-	M8
..	H151318	SIGN	1	660101-	BEATER GRATE CURTAIN
..	BH80228	COMPLETE GOODS/SHIP. BUNDLE	1		BEATER CURTAIN, NARROW

MEMORANDA

6C4

THRESHING AND SEPARATION

RASP BAR CONCAVE AND GRATE
HP5721 -UN-01JAN94



HP5721

6C5

THRESHING AND SEPARATION

RASP BAR CONCAVE AND GRATE - CONTINUED

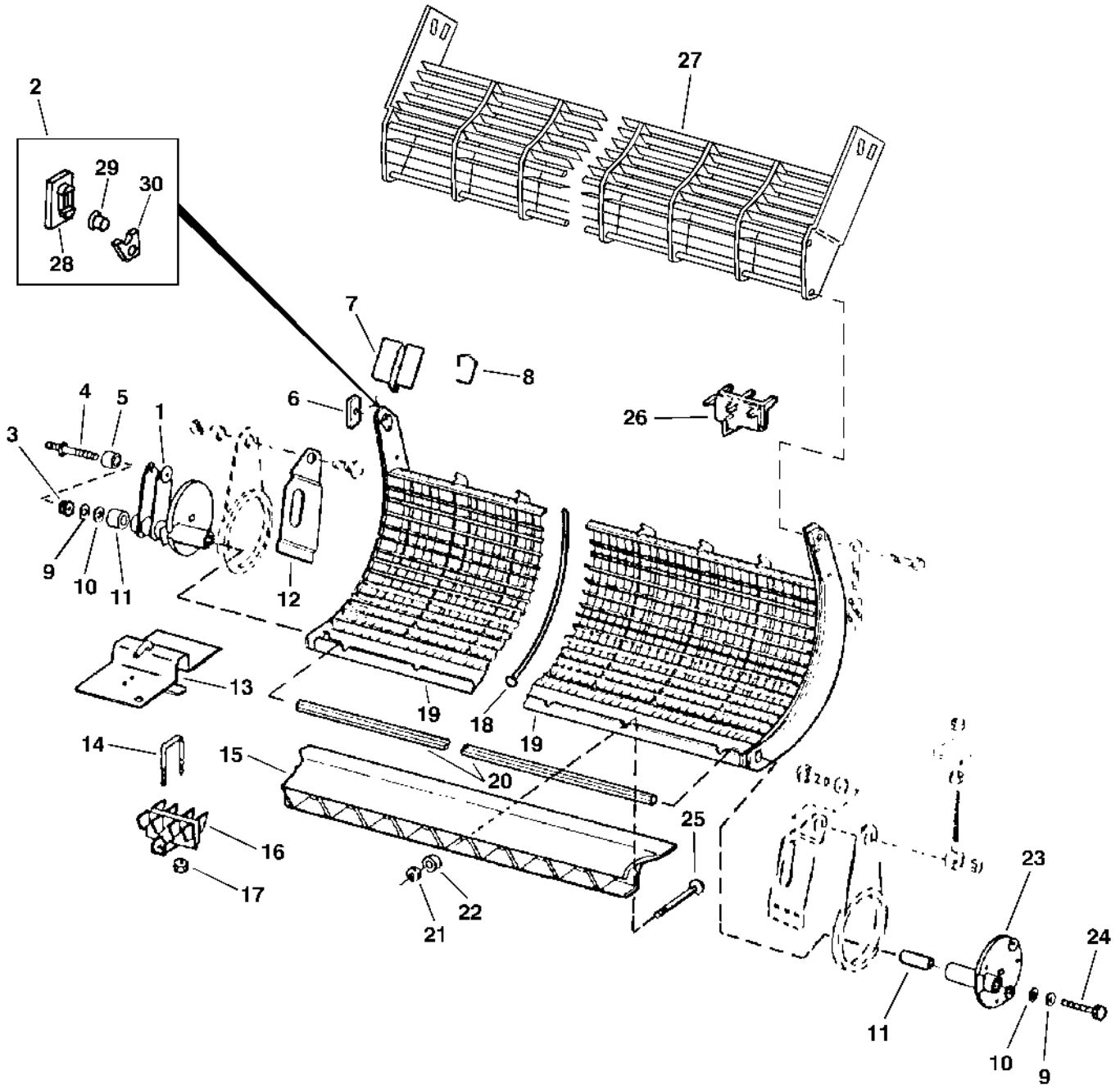
KEY	PART NO.	PART NAME	QTY	SERIAL NO.	REMARKS
1	H134230	PIN	1	-640100	
2	11M7028	COTTER PIN	4		5 X 32 MM
	11M7015	COTTER PIN	4		3.200 X 25 MM
3	24M7051	WASHER	4		21 X 37 X 3 MM
4	H134232	SPRING	2	-640100	
5	03M7218	BOLT	2		M10 X 80
6	H134229	PIN	1	-640100	
7	19M7790	SCREW	1	-640100	M12 X 35
	19M7791	SCREW	1	640101-655209	M12 X 40
	19M7813	SCREW	1	655210-	
8	E70736	BUSHING	2	-640100	
	H140804	BEAM	2	640101-	
9	12H301	LOCK WASHER	2		1/2"
10	14M7299	FLANGE NUT	2		M12
11	AH130231	SUPPORT	1	-640100	L H
	AH130232	SUPPORT	1	-640100	R H
12	AH151121	GRATE	1		(ORDER H140803, H140804, (2) 19M7813 AND (2) 11M7015) (SUB FOR AH130358, AH134917 AND AH135263)
13	H131002	PIN	1	-640100	
	H140803	PIN	1	640101-	
14	H144742	EYEBOLT	2		(SUB FOR H127006)
15	14M7400	LOCK NUT	2		M10
16	H143610	EYEBOLT	2		(SUB FOR H115179)
17	19M7597	CAP SCREW	2		M20 X 50
18	14M7276	NUT	4		M16
19	14M7300	FLANGE NUT	4		M20
20	H137203	BOLT	2		
21	H137204	BUSHING	2		
22	H131989	COVER	1		
23	H151484	LINK	2		(SUB FOR AH127986 OR H147484)
24	H119642	EYEBOLT	1		
25	24H1226	WASHER	1	655205-	
..	TY9371	ADHESIVE	1		APPLY ON 03M7218 (6 ML HIGH STRENGTH)

THIS PARTS LISTING IS CONTINUED

6C6

THRESHING AND SEPARATION

RASP BAR CONCAVE AND GRATE
HP9325 -UN-18NOV99



HP9325

6C7

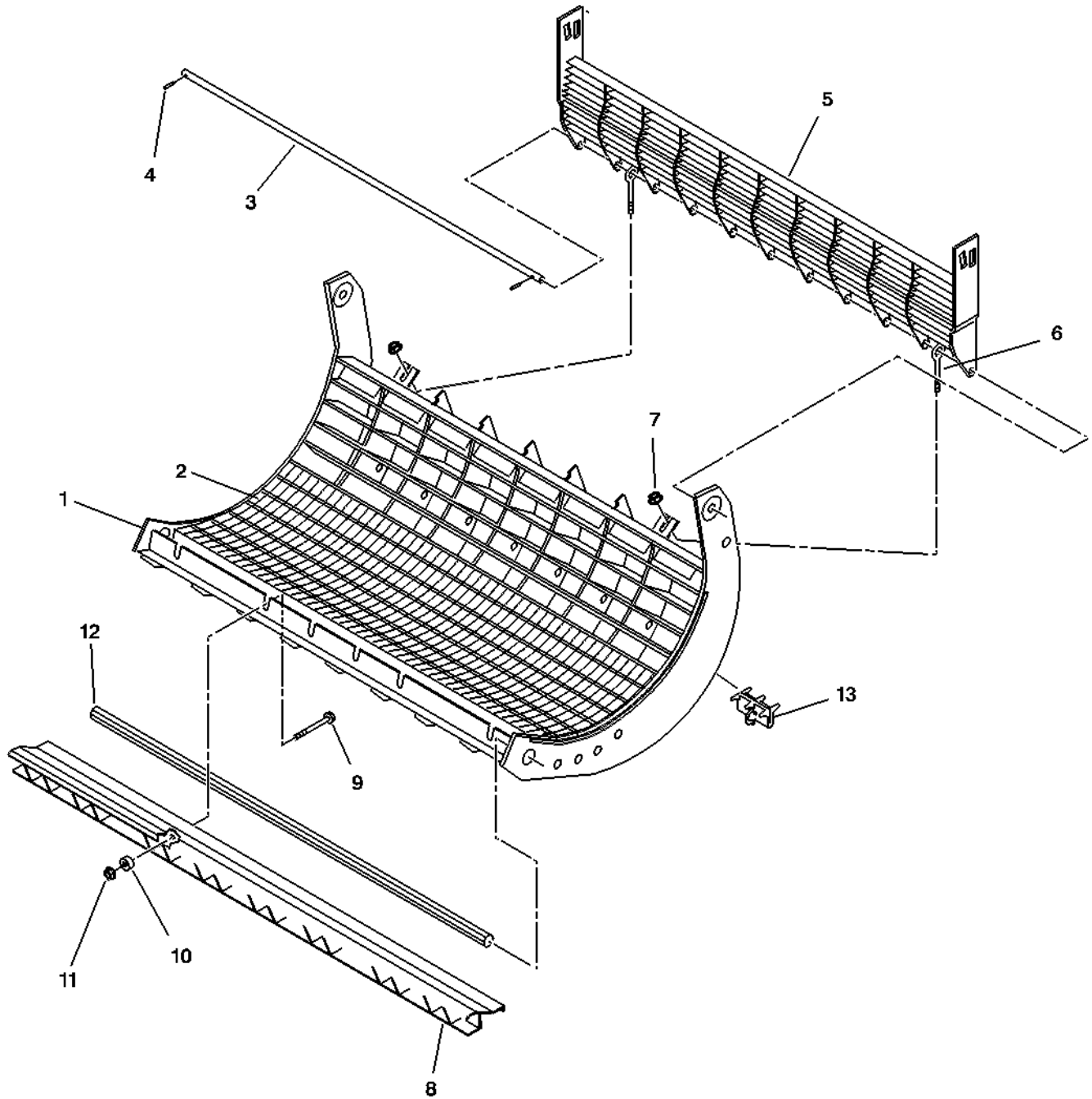
THRESHING AND SEPARATION

RASP BAR CONCAVE AND GRATE - CONTINUED

KEY	PART NO.	PART NAME	QTY	SERIAL NO.	REMARKS
1	AH133156	CAM	1		(SUB FOR H132821)
2	AH140604	ADJUSTING STRAP	1	-640100	(INCLUDES INSTRUCTION SHEET)
3	A31867	LOCK NUT	1	-5FEB96	
	14M7401	LOCK NUT	1		M12, (SUB FOR H137329)
4	H132541	SCREW	1		
5	28H1597	WASHER	1		0.546" X 0.840" X 3/8" 0.546" X 0.840" X 2-1/8"
6	H146318	ADJUSTING STRAP	1		(SUB FOR H135246 OR H146389)
7	H134418	COVER	1		FOR REAR OF CONCAVE
8	H134420	RETAINER	1		
9	24H1351	WASHER	1	-645550	9/16" X 1-1/2" X 0.164"
	24M7101	WASHER	2	5FEB96-	11 X 34 X 3 MM
10	H133633	SEAL	2	-645550	
11	28H2642	SPACER	1		13.868 X 21.336 X 63.500 MM (0.546" X 0.840" X 2-1/2") LH & RH
	28H1601	BUSHING	1		13.868 X 21.336 X 104.775 MM, LH ONLY
12	H131988	COVER	1		RH (SPIKE TO RASP CONVERSION)
13	AH130465	COVER	AR		FOR BOTTOM FRONT OF CONCAVE
14	H137947	U-BOLT	AR		USE ONE PER H134773
15	AH151119	ANGLE	1		(SUB FOR AH132367 OR AH141204)
16	AH134773	INSERT	AR	-655137	FOR USE IN CORN
17	14M7396	LOCK NUT	AR	-655137	M8, USE TWO PER H134773
18	H135036	PIN	AR		FOR SMALL GRAIN (SHORT)
	H135037	PIN	AR		FOR CORN (LONG)
19	AH136605	CONCAVE	1		(SUB FOR AH133287, AH133289, AH137534 OR AH155494) FOR SMALL GRAIN
20	H145639	SHAFT	1		(SUB FOR H133632)
21	14M7401	LOCK NUT	6		M12
22	E47782	SPACER	6		
23	AH133157	CAM	2		(SUB FOR H132820)
24	H147468	ROD	1		
25	H139098	BOLT	6		
26	AH143744	INSERT	1		(SUB FOR AH137523) SHORT WIRE
	AH144868	INSERT	1		(SUB FOR AH140517)
27	AH151121	GRATE	1		
28	H146318	ADJUSTING STRAP	2	-640100	
29	BUSHING	2	-640100	
30	RETAINER	2	-640100	
..	BH78486	COMPLETE GOODS/SHIP. BUNDLE	1		CONCAVE COVERS
..	BH78496	COMPLETE GOODS/SHIP. BUNDLE	1		REAR CONCAVE FILLER STRIPS
..	BH81335	COMPLETE GOODS/SHIP. BUNDLE	1		CONCAVE ASSEMBLY, SHORT WIRE WITHOUT INSERTS

CONCAVE ASSEMBLY AND BEATER GRATE (13-BAR NARROW)

HP7388 -UN-02FEB98



HP7388

6C9

THRESHING AND SEPARATION

CONCAVE ASSEMBLY AND BEATER GRATE (13-BAR NARROW) - CONTINUED

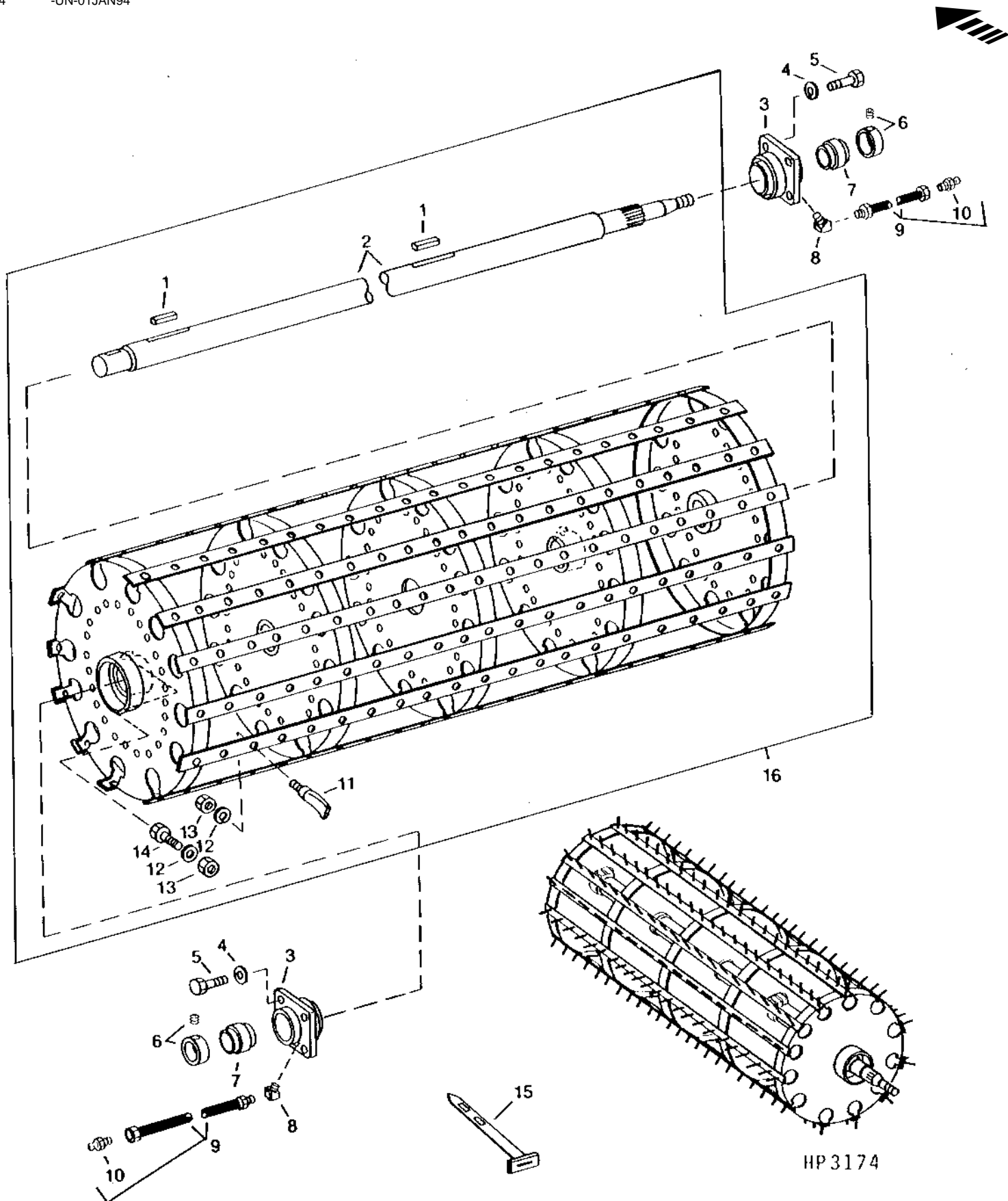
KEY	PART NO.	PART NAME	QTY	SERIAL NO.	REMARKS
1	AH150497	CONCAVE	1		13 BAR NARROW
2	H157967	NAIL	50		
3	H140803	PIN	1		
4	11M7015	COTTER PIN	2		
5	AH151121	GRATE	1		NARROW BODY
6	H144742	EYEBOLT	2		M10 X 62
7	H135891	LOCK NUT	2	-2MAR98	M10
	14M7400	LOCK NUT	2	2MAR98-	M10
8	AH151119	ANGLE	1		NARROW BODY
9	H139098	BOLT	6		
10	E47782	SPACER	6		
11	14M7401	LOCK NUT	6		M12
12	H145639	SHAFT	1		NARROW
13	AH153688	INSERT	16		CONCAVE GRID (CARTON OF 20)
..	BH81335	COMPLETE GOODS/SHIP. BUNDLE	1		CONCAVE ASSEMBLY, SHORT WIRE WITHOUT INSERTS

6C10

THRESHING AND SEPARATION

SPIKE TOOTH THRESHING CYLINDER (OPTIONAL)

HP3174 -UN-01JAN94



HP 3174

6C11

THRESHING AND SEPARATION

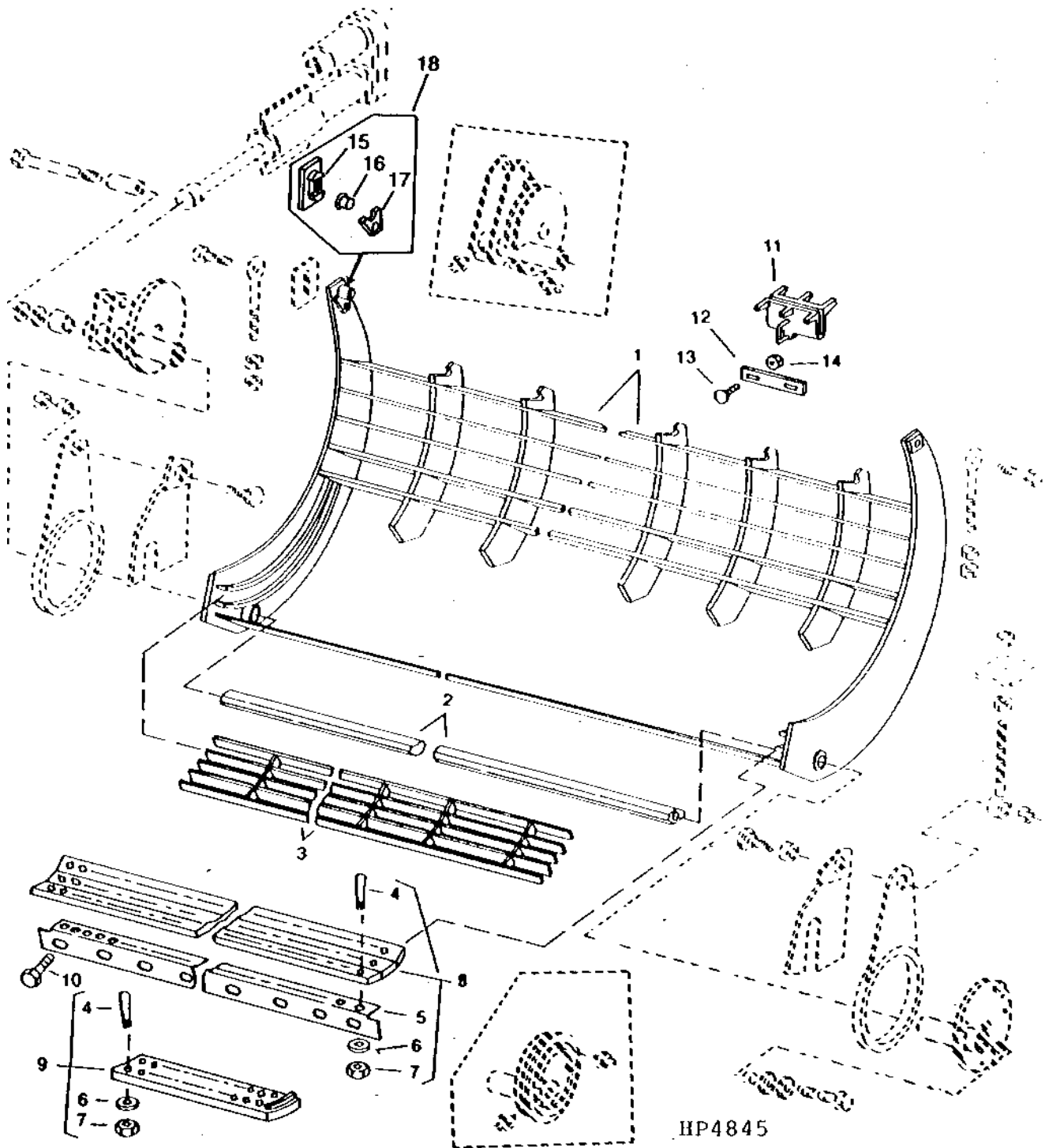
SPIKE TOOTH THRESHING CYLINDER (OPTIONAL) - CONTINUED

KEY	PART NO.	PART NAME	QTY	SERIAL NO.	REMARKS
1	SHAFT KEY	2		(CUT FROM H64376)
2	H140043	SHAFT	1		FOR DUAL RANGE
	H145970	SHAFT	1		SINGLE RANGE
3	H99149	HOUSING	2		
4	12H304	LOCK WASHER	8	3/8"	
5	19H1732	CAP SCREW	8	3/8" X 1-1/4"	
6	JD10342	ECCENTRIC LOCKING COLLAR	2		
7	JD10343	BALL BEARING	2		
8	JD7845	ELBOW FITTING	2		
9	AH121009	HOSE	2		1/8" X 910 MM (35-3/4") X 1/8"
10	JD7759	LUBRICATION FITTING	2		
11	H132057	TOOTH	312		
12	12H301	LOCK WASHER	2		1/2", (INTO HEADER WITH KEYED HUB)
	12H301	LOCK WASHER	312		1/2"
13	14H809	NUT	2		1/2", (INTO HEADER WITH KEYED HUB)
	14H809	NUT	312	-650348	1/2", (SUB 14H1040)
	14H1040	NUT	314		1/2"
14	19H1820	CAP SCREW	2		1/2" X 3"
15	P5403H	TOOL	1		
16	AH134662	SPIKE-TOOTH CYLINDER	1		DUAL RANGE AND LOW SPEED DUAL RANGE.
	AH135826	SPIKE-TOOTH CYLINDER	1		SINGLE RANGE SPEED AND SINGLE EXTENDED RANGE
..	BH71877	COMPLETE GOODS/SHIP. BUNDLE	1		RASP BAR TO SPIKE TOOTH CONVERSION
..	BH71936	COMPLETE GOODS/SHIP. BUNDLE	1		RASP BAR TO SPIKE TOOTH CONVERSION

6C12

THRESHING AND SEPARATION

SPIKE-TOOTH CONCAVE
HP4845 -UN-01JAN94



6C13

THRESHING AND SEPARATION

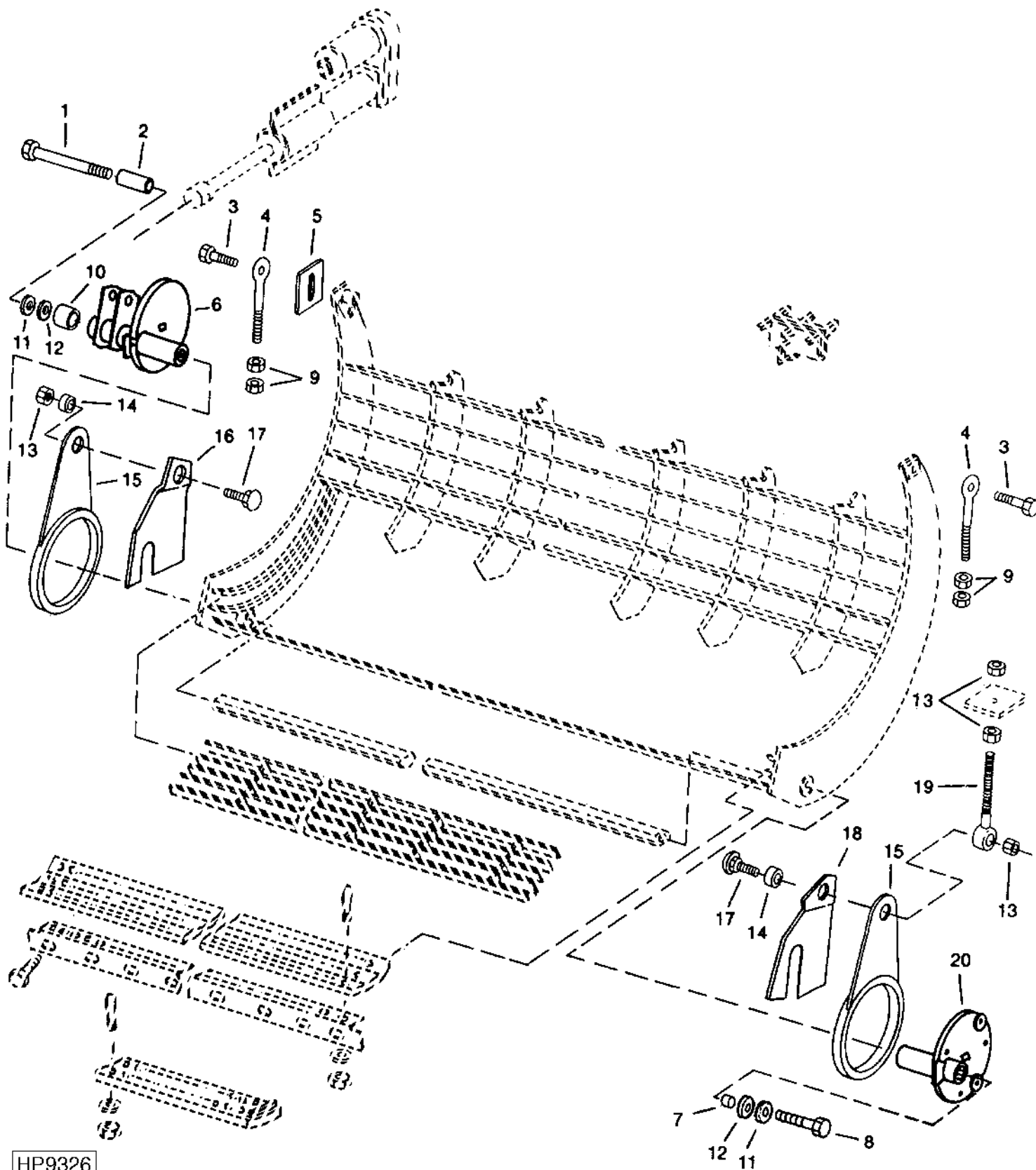
SPIKE-TOOTH CONCAVE - CONTINUED

KEY	PART NO.	PART NAME	QTY	SERIAL NO.	REMARKS
1	AH135647	CONCAVE	1		(SUB FOR AH132885)
2	H145639	SHAFT	1		(SUB FOR H133632)
3	AH131331	GRATE	1		
4	H132057	TOOTH	AR		
5	H145257	ANGLE	1		(SUB FOR H135316)
6	12H301	LOCK WASHER	AR		1/2", (SUB H145639)
7	14H809	NUT	AR	-640100	1/2"
	14H1040	NUT	AR	640101-	1/2"
8	AH139246	BAR	AR		(SUB FOR AH129375)
9	AH126880	CONCAVE	1		
10	19M7786	SCREW	7		M10 X 30
11	AH153688	INSERT	4		(SUB FOR AH137523 OR AH143744)
12	H141993	ADJUSTING STRAP	AR	-635100	(USE WITH AH132885)
13	03M7222	BOLT	2		M6 X 20
14	14M7303	FLANGE NUT	2		M6
15	H146318	ADJUSTING STRAP	2	-640100	
16	BUSHING	2	-640100	
17	RETAINER	2	-640100	
18	AH140604	ADJUSTING STRAP	1	-640100	(INCLUDES INSTRUCTION)

6C14

THRESHING AND SEPARATION

SPIKE TOOTH CONCAVE
HP9326 -UN-18NOV99



HP9326

6C15

THRESHING AND SEPARATION

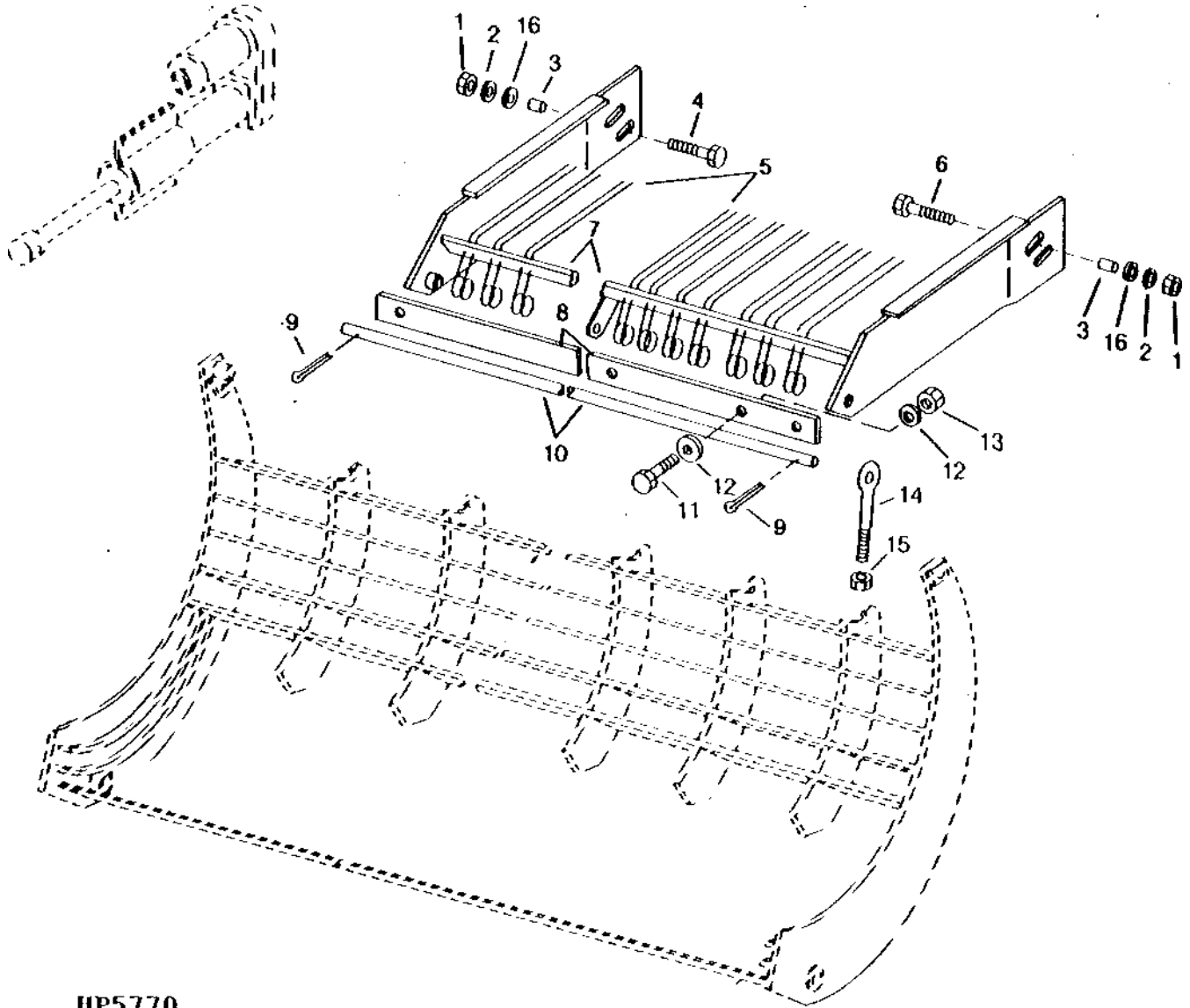
SPIKE TOOTH CONCAVE - CONTINUED

KEY	PART NO.	PART NAME	QTY	SERIAL NO.	REMARKS
1	H132541	SCREW	1		
2	28H1597	WASHER	1		0.546" X 0.840" X 3/8"
3	19M8060	SCREW	2		M20 X 45, (SUB 19M7597)
	19M7597	CAP SCREW	2		M20 X 50
4	H143610	EYEBOLT	2		(SUB FOR H115179)
5	H146318	ADJUSTING STRAP	1		(SUB FOR H135246 OR H146389)
6	AH135240	CAM	1		(SUB FOR AH134431)
7	28H2642	SPACER	1		
8	19M7819	SCREW	1		M12 X 90
9	14M7296	FLANGE NUT	4		M10
10	H134816	SPACER	1		
11	24H1351	WASHER	2	-5FEB96	9/16" X 1-1/2" X 0.164"
	24M7101	WASHER	2	5FEB96-	11 X 34 X 3 MM
12	H133633	SEAL	2		
13	14M7300	FLANGE NUT	4		M20
14	H137204	BUSHING	4		
15	AH127829	LINK	2		
16	H131986	COVER	1		LEFT-HAND
17	H137203	BOLT	2		
18	H131987	COVER	1		
19	H119642	EYEBOLT	1		
20	AH133157	CAM	1		(SUB FOR H132820)
..	P5403H	TOOL	1		

6C16

THRESHING AND SEPARATION

SPIKE-TOOTH FINGER GRATE
HP5770 -UN-01JAN94



HP5770

6C17

THRESHING AND SEPARATION

SPIKE-TOOTH FINGER GRATE - CONTINUED

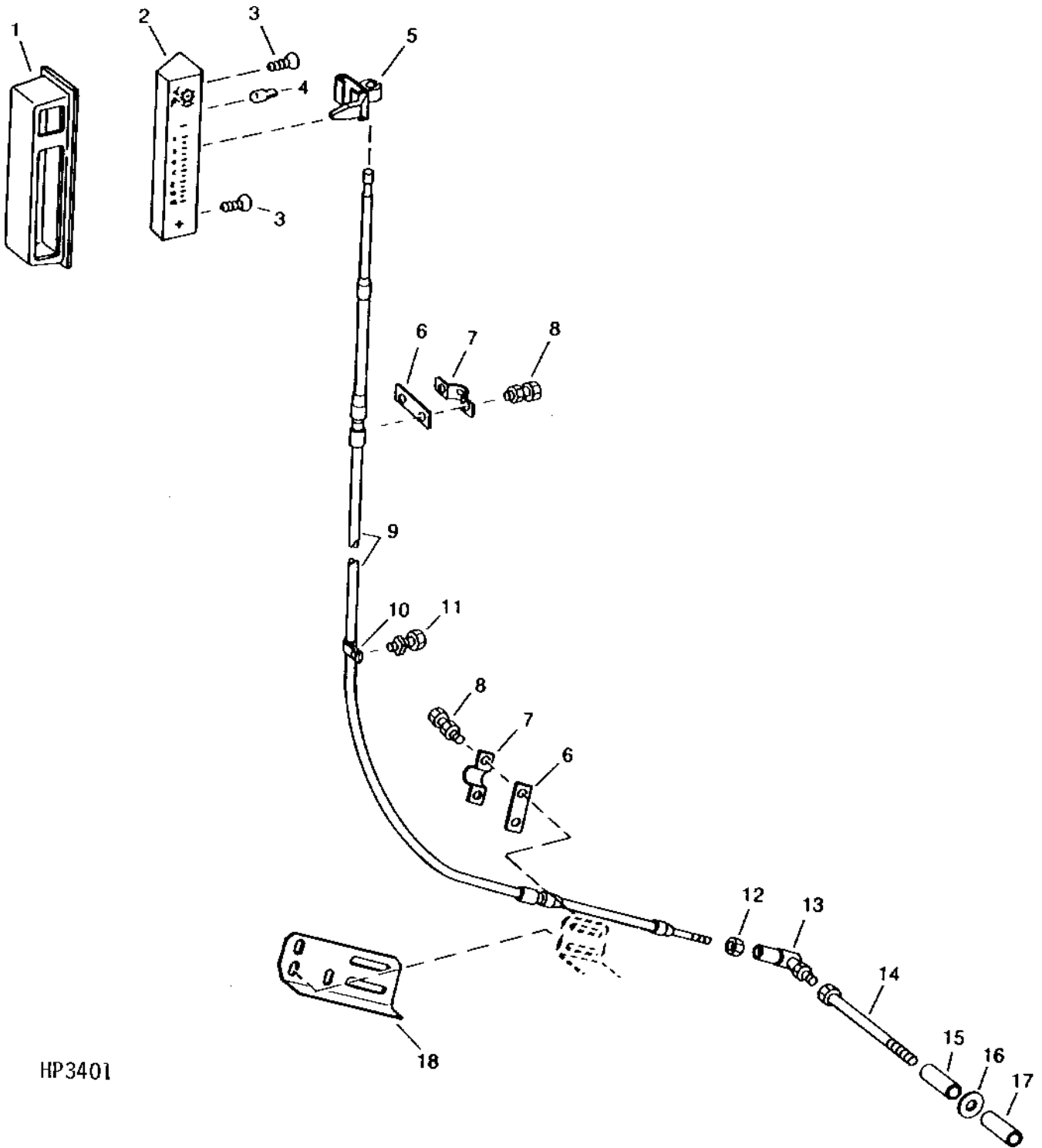
KEY	PART NO.	PART NAME	QTY	SERIAL NO.	REMARKS
1	14M7299	FLANGE NUT	2		M12
2	12H301	LOCK WASHER	2		1/2"
3	M44269	BUSHING	2		
4	19M7791	SCREW	1	-655208	M12 X 40
	19M7813	SCREW	1	655209-	M12 X 45
5	H134758	FINGER	AR		
6	19M8306	SCREW	1	-640100	M12 X 50
	19M7791	SCREW	1	640101-655208	M12 X 40
	19M7813	SCREW	1	655209-	M12 X 45
7	AH130906	SUPPORT	1		
8	H135158	COVER	1		
9	11M7015	COTTER PIN	2		3.200 X 25 MM
10	H134757	PIN	1		
11	03M7193	BOLT	4		M10 X 35
12	24H1311	WASHER	8		13/32" X 1-1/4" X 0.220"
13	14M7296	FLANGE NUT	4		M10
14	H144742	EYEBOLT	2		(SUB FOR H127006)
15	14M7400	LOCK NUT	2		M10
16	24H1226	WASHER	2	655205-	12.700 X 31.750 X 2.108 MM
..	BH71936	COMPLETE GOODS/SHIP. BUNDLE	1		RASP BAR TO SPIKE TOOTH CONVERSION

6C18

THRESHING AND SEPARATION

CONCAVE INDICATOR, CABLE AND BRACKETS

HP3401 -UN-01JAN94



HP3401

6C19

THRESHING AND SEPARATION

CONCAVE INDICATOR, CABLE AND BRACKETS - CONTINUED

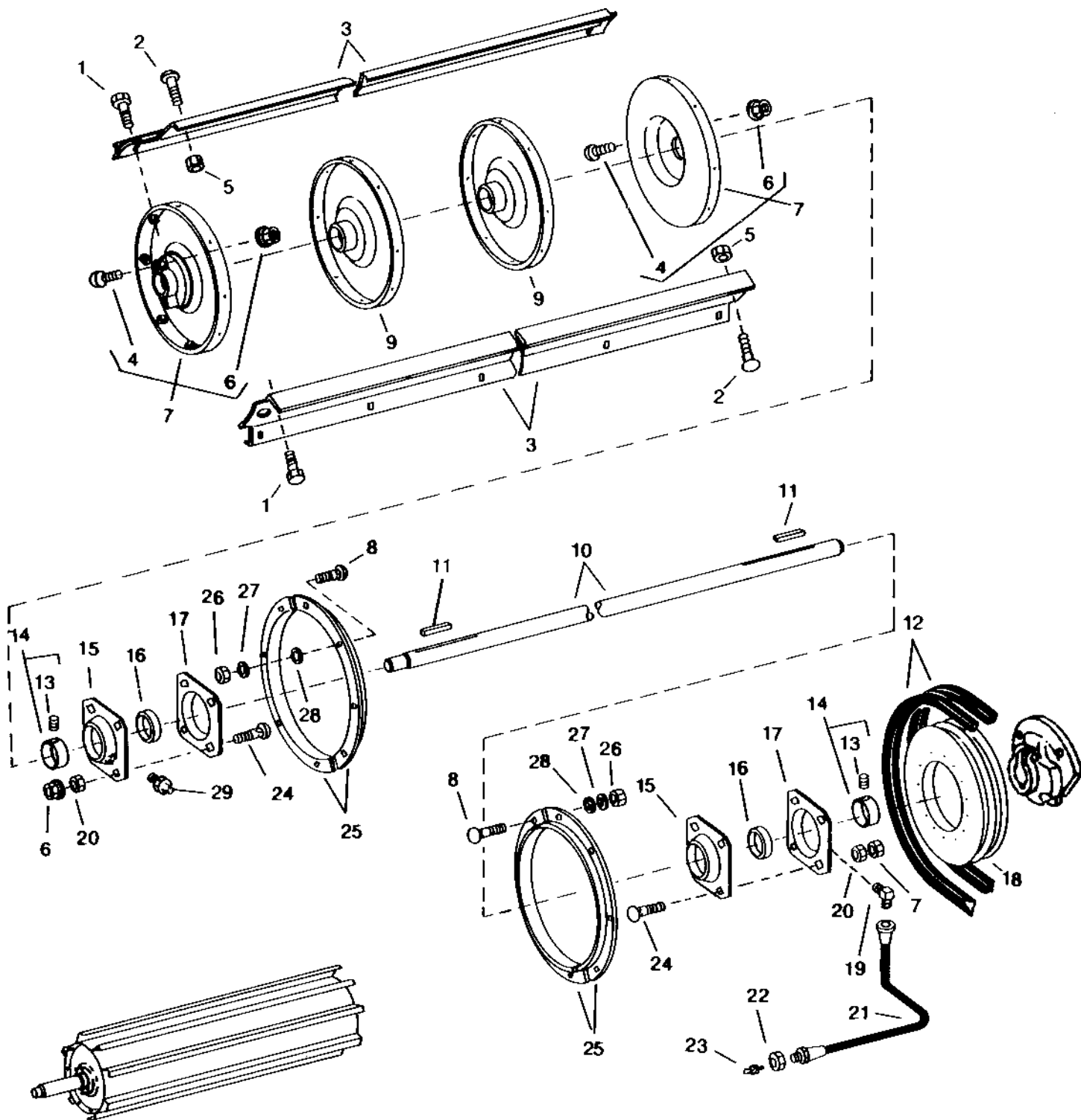
KEY	PART NO.	PART NAME	QTY	SERIAL NO.	REMARKS
1	H128999	HOUSING	1		
2	AH124472	LENS	1	-645259	(SUB AH141030)
	AH141030	LENS	1		
3	H118166	SCREW	2		
4	AH114882	BULB	1	-29SEP7	
5	H129179	GAUGE	1		
6	H120801	STRAP	2		
7	H120800	CLAMP	2		
8	03M7166	BOLT	4		M5 X 16
	14M7297	NUT	4		M5
9	AH124573	CABLE	1		
10	M47566	CLIP	1		
11	19M7862	SCREW	1		M6 X 20
	14M7162	NUT	1		M6
12	14M7297	NUT	1		M5
13	AH129272	BALL JOINT	1		
14	H132541	SCREW	1		
15	28H2618	BUSHING	1		0.546" X 0.840" X 2-1/8"
	28H1597	WASHER	1		0.546" X 0.840" X 3/8" (SPIKE TOOTH ONLY)
16	24H1347	WASHER	1		17/32" X 2" X 0.194"
17	28H950	BUSHING	1		0.546" X 0.840" X 1-1/2"
	28H1601	BUSHING	1		0.546" X 0.840" X 4-1/8" (SPIKE TOOTH ONLY)
18	H132540	BRACKET	1		(SPIKE TOOTH ONLY)

6C20

THRESHING AND SEPARATION

BEATER, SHAFT AND DRIVE BELT

HP6100 -UN-27JUN95



HP6100

6C21

THRESHING AND SEPARATION

BEATER, SHAFT AND DRIVE BELT - CONTINUED

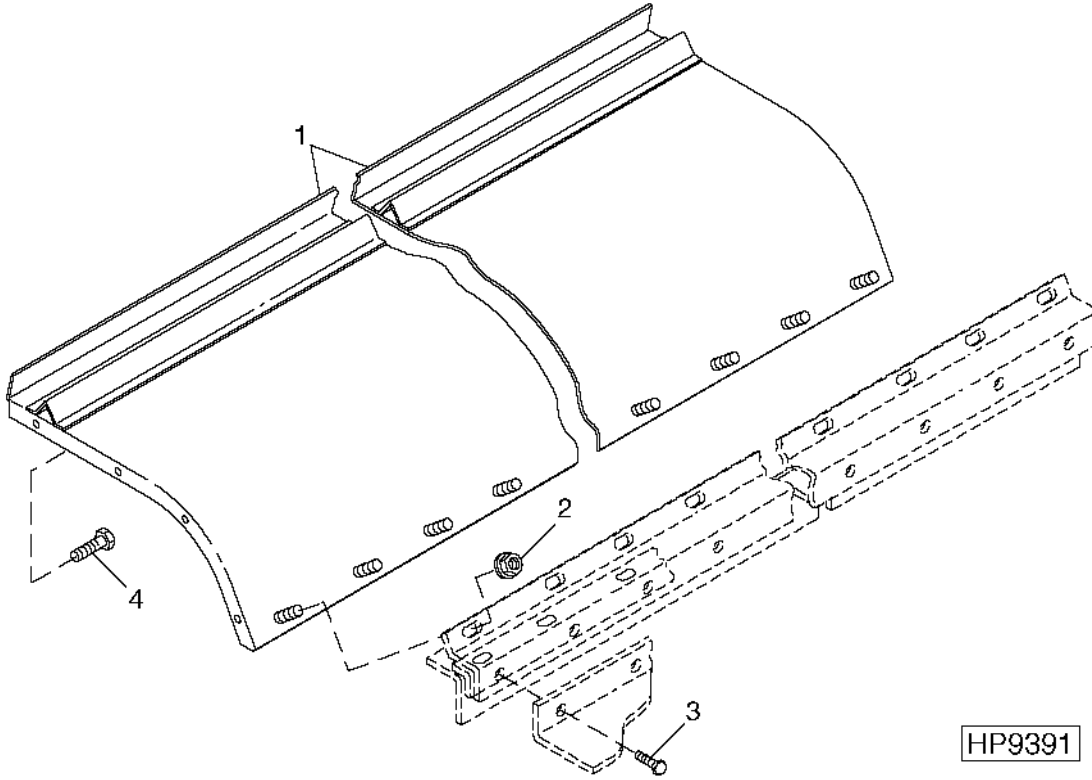
KEY	PART NO.	PART NAME	QTY	SERIAL NO.	REMARKS
1	19M7784	SCREW	24		M10 X 20
2	03M7190	BOLT	48		M10 X 20
3	H133649	BLADE	8	-645355	(SUB H147789)
	H147789	BLADE	8		
4	03M7201	BOLT	2		M12 X 45
5	14M7296	FLANGE NUT	48		M10
6	14M7299	FLANGE NUT	2		M12
7	AH128360	BEATER HEAD	2		
8	03M7185	BOLT	24		M8 X 25
9	AH128361	BEATER HEAD	1		
10	H126941	SHAFT	1		
11	SHAFT KEY	1	-660558	10 X 8 X 50 MM (IN AH141142 KEY STOCK KIT) (CUT FROM H150270)
	49M4121	SHAFT KEY	2	660559-	
12	AH120918	BELT	1	-640100	(SUB AH139436) FOR 100° BEATER DRIVE
	AH139436	BELT SET	1		FOR 100° BEATER DRIVE
	AH131960	BELT	1		(SUB AH163931) FOR 75° BEATER DRIVE
	AH163931	BELT	1		FOR 75° BEATER DRIVE
13	22H979	SET SCREW	1		3/8" X 3/8"
14	JD9201	ECCENTRIC LOCKING COLLAR	2		
15	H113625	PRESSED FLANGED HOUSING	2		
16	JD9434	BEARING	2		
17	H113626	PRESSED FLANGED HOUSING	2		
18	H125558	SHEAVE	1		FOR 100 PER CENT BEATER DRIVE
	H135850	SHEAVE	1		FOR 75 PER CENT BEATER DRIVE
19	JD7845	ELBOW FITTING	2		L H
20	H143731	NUT	8		
21	AH121009	HOSE	2		1/8" X 910 MM (35-3/4") X 1/8", L H
22	E12379	NUT	2		L H
23	JD7759	LUBRICATION FITTING	2		L H
24	03M7197	BOLT	8		M12 X 25
25	H130572	SEAL	4		
26	14M7298	FLANGE NUT	24		M8
27	12H303	LOCK WASHER	24		5/16"
28	24M7055	WASHER	16		8.400 X 16 X 1.600 MM
29	JD7788	LUBRICATION FITTING	1		R H

6C22

THRESHING AND SEPARATION

BEATER COVER

HP9391 -UN-06DEC99



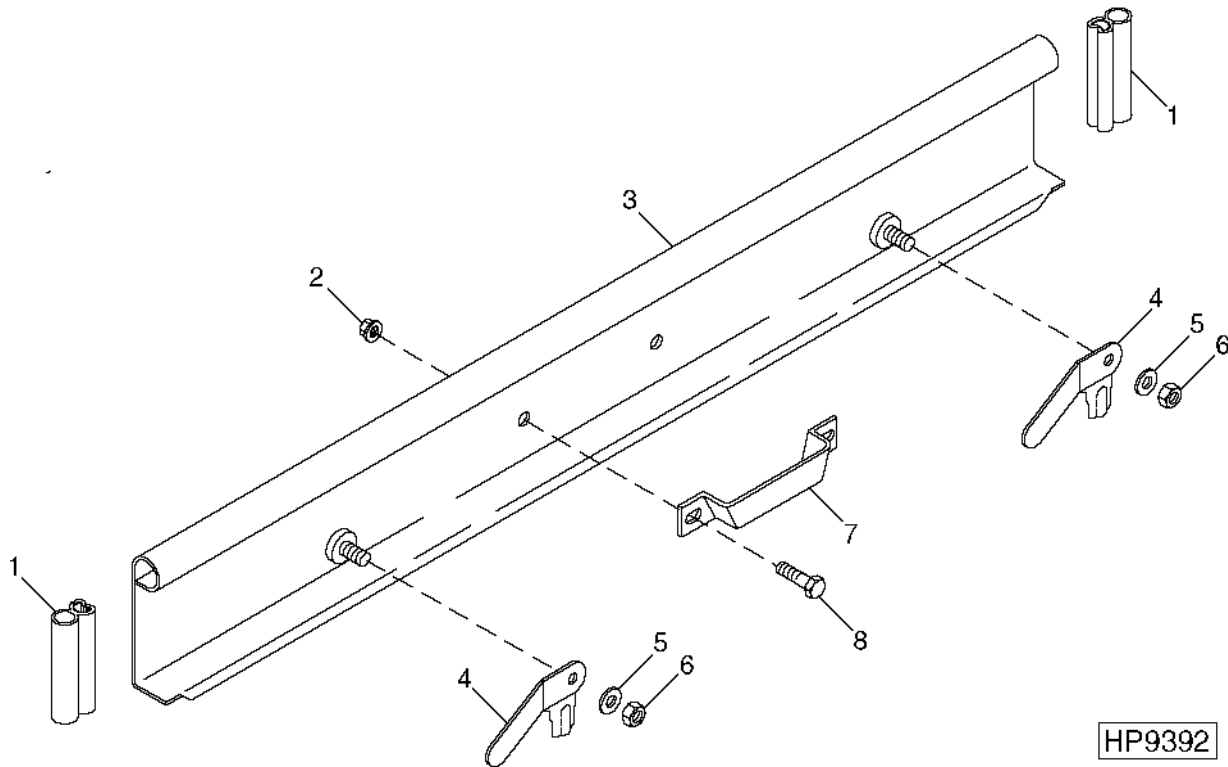
KEY	PART NO.	PART NAME	QTY	SERIAL NO.	REMARKS
1	AH121997	COVER	1	-631400	
2	14M7298	FLANGE NUT	6	M8	
3	37M7080	SCREW	10	M10 X 30	
4	37M7058	SCREW	8	-631400	M8 X 20

6C23

THRESHING AND SEPARATION

SHOE GRAIN SUPPLY AUGER CLEANOUT DOOR, HANDLE AND LATCHES

HP9392 -UN-06DEC99



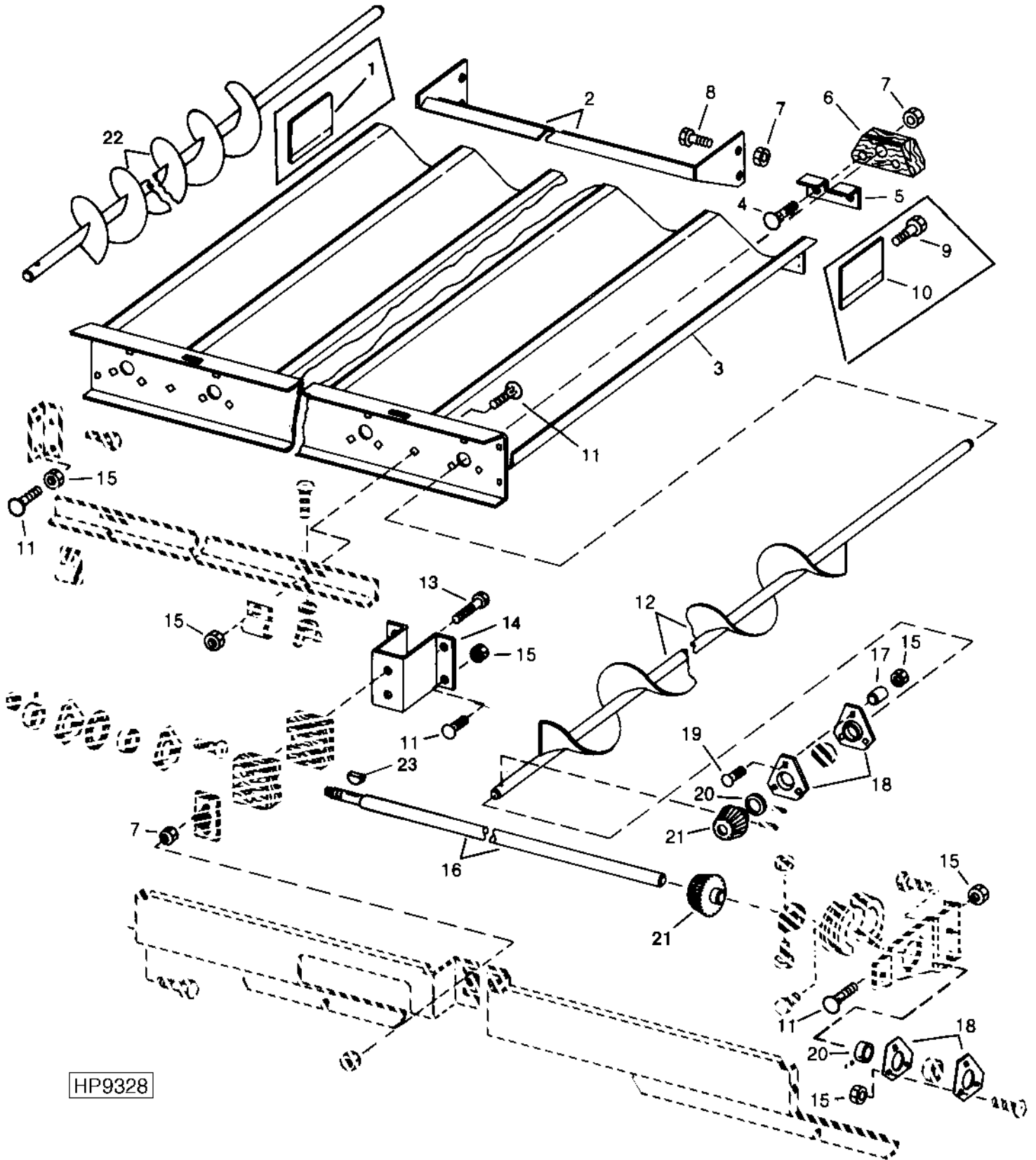
HP9392

KEY	PART NO.	PART NAME	QTY	SERIAL NO.	REMARKS
1	H131108	ISOLATOR	2		
2	14M7298	FLANGE NUT	2	M8	
3	AH126119	DOOR	1		
4	H127532	HANDLE	2		
5	24M7207	WASHER	2	8.400 X 24 X 2 MM	
6	14M7396	LOCK NUT	2	M8	
7	H85184	HANDLE	1		
8	19M7865	SCREW	2	M8 X 16	

6C24

THRESHING AND SEPARATION

SHOE GRAIN SUPPLY AUGERS AND HOUSING
HP9328 -UN-23NOV99



HP9328

6C25

THRESHING AND SEPARATION

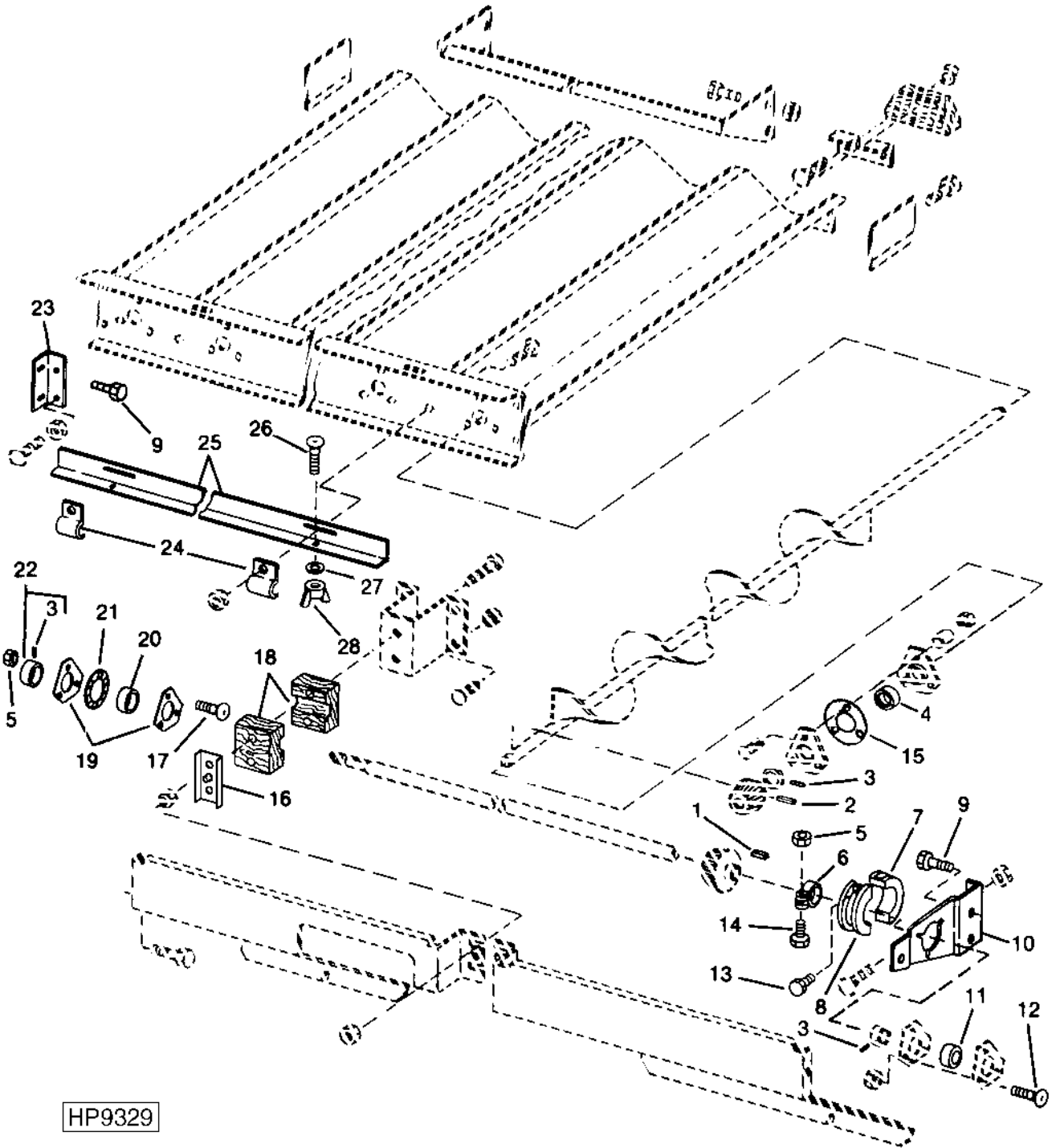
SHOE GRAIN SUPPLY AUGERS AND HOUSING - CONTINUED

KEY	PART NO.	PART NAME	QTY	SERIAL NO.	REMARKS
1	H134029	DEFLECTOR	1	-665100	
2	AH126191	SUPPORT	1		
3	AH130123	TROUGH	1	-665100	
4	AH146655	TROUGH	1	665101-	
	03M7216	BOLT	AR	-665249	M8 X 50
	03M7267	BOLT	AR	665250-	M8 X 80
5	H134357	STRIPPER	AR	-635201	(SUB H142189)
	H142189	STRIPPER	AR		
6	H131336	BEARING	AR	-635201	(SUB H142188)
	H142188	BEARING	AR		ADD GREASE TO BLOCK BEFORE ASSEMBLY
	AH139342	BEARING KIT	1		EXTENSIVE WEAR KIT (7 AUGER BEARINGS)
7	14M7396	LOCK NUT	17		M8
8	19M7867	SCREW	4		M8 X 25
9	37M7090	SCREW	4	-665100	M6 X 16
10	H134028	DEFLECTOR	1	-665100	
11	03M7183	BOLT	AR		M8 X 16
12	AH130424	AUGER	3		R.H. FLIGHTING
13	19M8039	SCREW	2		M8 X 80
14	H91205	BRACKET	1		
15	14M7298	FLANGE NUT	25		M8
16	H135422	DRIVE SHAFT	1		
17	28H1720	BUSHING	AR		0.423" X 0.675" X 27/32"
18	H103264	PRESSED FLANGED HOUSING	14		
19	03M7189	BOLT	AR		M8 X 45
20	JD8554	ECCENTRIC LOCKING COLLAR	7		
21	H137215	GEAR	12		(SUB FOR H75406)
22	AH130425	AUGER	3		L.H. FLIGHTING
23	26M4226	SHAFT KEY	2		5 X 19 MM (0.197" X 0.748") WOODRUFF
..	TY6333	GREASE	1		

6D1

THRESHING AND SEPARATION

SHOE GRAIN SUPPLY AUGERS AND HOUSING
HP9329 -UN-23NOV99



6D2

THRESHING AND SEPARATION

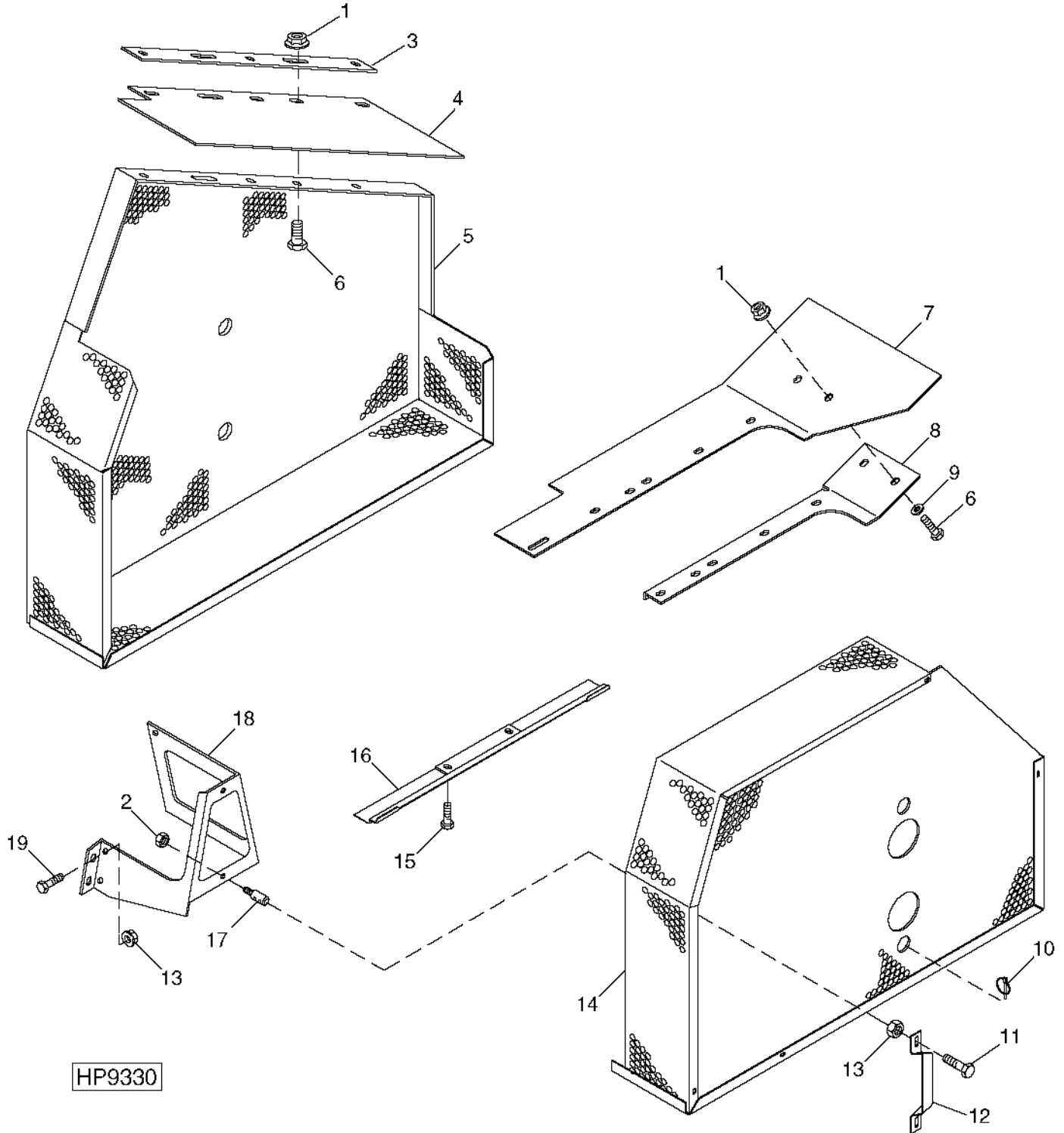
SHOE GRAIN SUPPLY AUGERS AND HOUSING - CONTINUED

KEY	PART NO.	PART NAME	QTY	SERIAL NO.	REMARKS
1 H64374	SHAFT KEY SHAFT KEY	AR AR		1/4 X 3/4 IN. (MAKE FROM H64374)
2	34H119	SPRING PIN	AR		5/16" X 1-3/4"
3	SET SCREW	1		
4	JD9273	BALL BEARING	AR		
5	14M7296	FLANGE NUT	10		M10
6	M2300T H145112	CLAMP CLAMP	7 7	-640100	(SUB H145112)
7	H104795	ACTUATOR	1		
8	H104796	ACTUATOR	1		
9	19M7866	SCREW	4		M8 X 20
10	H127524	BRACKET	1		
11	JD8665	BALL BEARING	1		
12	03M7184	BOLT	3		M8 X 20
13	21H1419	SCREW	1		0.190" X 1"
14	19M7358	CAP SCREW	AR	-640291	M10 X 40
	19M7572	CAP SCREW	AR	640292-	M10 X 45
15	H36155	SHIM	1	660262-	0.762 MM
16	AH142370	LUBRICATION FITTING	1		(SUB FOR H83089)
17	03M7191	BOLT	3		M10 X 25
18	H135475	BEARING	2		
19	E10018	PRESSED FLANGED HOUSING	2		
20	AH129451	BALL BEARING	1		
21	H102533	SHIM	1		
22	AH129452	ECCENTRIC LOCKING COLLAR	1		
23	H127525	ANGLE	1		
24	H94167	CLAMP	2		
25	H134025	SHEET	1		
26	03M7221	BOLT	2		M6 X 16
27	24M7139	WASHER	2		6.400 X 18 X 1.600 MM
28	14M7019	WING NUT	2		M6
..	TY6333	GREASE	1		

6D3

CLEANING FAN LEAF SCREENS (CORN)

(660193-)
HP9330 -UN-23NOV99



HP9330

6D4

THRESHING AND SEPARATION

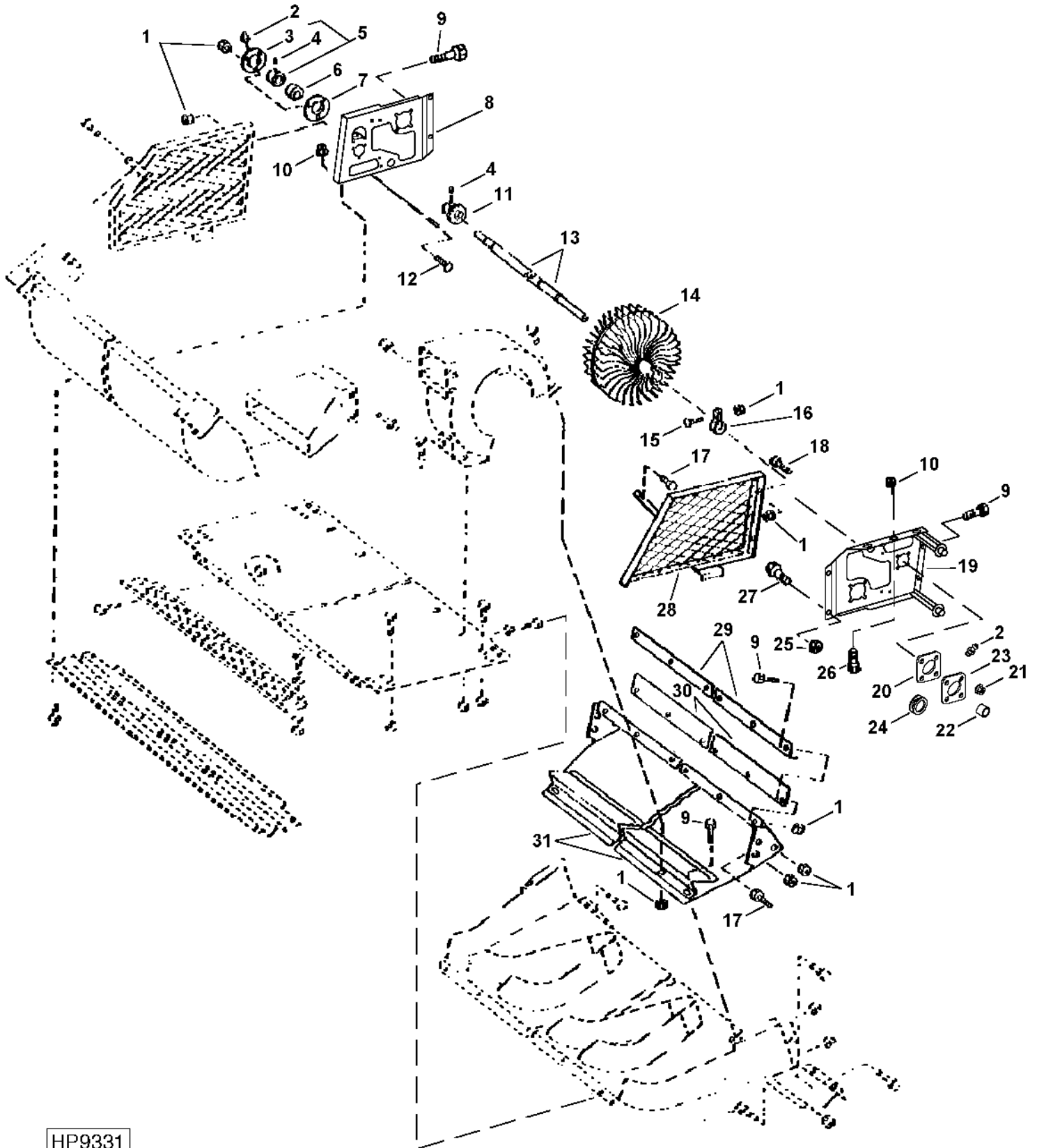
CLEANING FAN LEAF SCREENS (CORN) - CONTINUED
(660193-)

KEY	PART NO.	PART NAME	QTY	SERIAL NO.	REMARKS
1	14M7298	FLANGE NUT	12		M8
2	14M7294	NUT	2		M10, R.H.
3	H150911	SEAL	1	-665100	
	H154763	SEAL	1	665101-	
4	H150909	SEAL	1	-665100	(SUB H154762)
	H154762	SEAL	1	665101-	
5	AH144827	SCREEN	1	-665100	R.H.
	AH148107	SCREEN	1	665101-	R.H.
6	19M7784	SCREW	12	-665175	
	19M7866	SCREW	12	665176-	M8 X 20
7	H150910	SEAL	1		
8	H151764	REINFORCEMENT	1	-660432	(SUB H153520)
	H153520	REINFORCEMENT	1		
9	24H1307	WASHER	2		10.312 X 25.400 X 1.600 MM
10	M72598	QUICK LOCK PIN	2		
11	03M7183	BOLT	8	-665100	M8 X 16
	19M7866	SCREW	6	665101-	M8 X 20
12	H85184	HANDLE	4		
13	14M7298	FLANGE NUT	10		M8
14	AH146196	SCREEN	1	-660432	(SUB AH147201) L.H.
	AH147201	SCREEN	1		L.H.
15	19M7898	SCREW	4		M10 X 130
16	AH132356	CLIP	2		SHIELD
17	H141975	STUD	2	-665100	SHOULDERED
	H154757	STUD	2	665101-	SHOULDERED
18	H146757	BRACKET	1		
19	19M7866	SCREW	2		M8 X 20
..	BH81006	COMPLETE GOODS/SHIP. BUNDLE	1		CORN LEAF SCREENS

6D5

THRESHING AND SEPARATION

CLEANING FANS AND SHROUDS
HP9331 -UN-22NOV99



HP9331

6D6

THRESHING AND SEPARATION

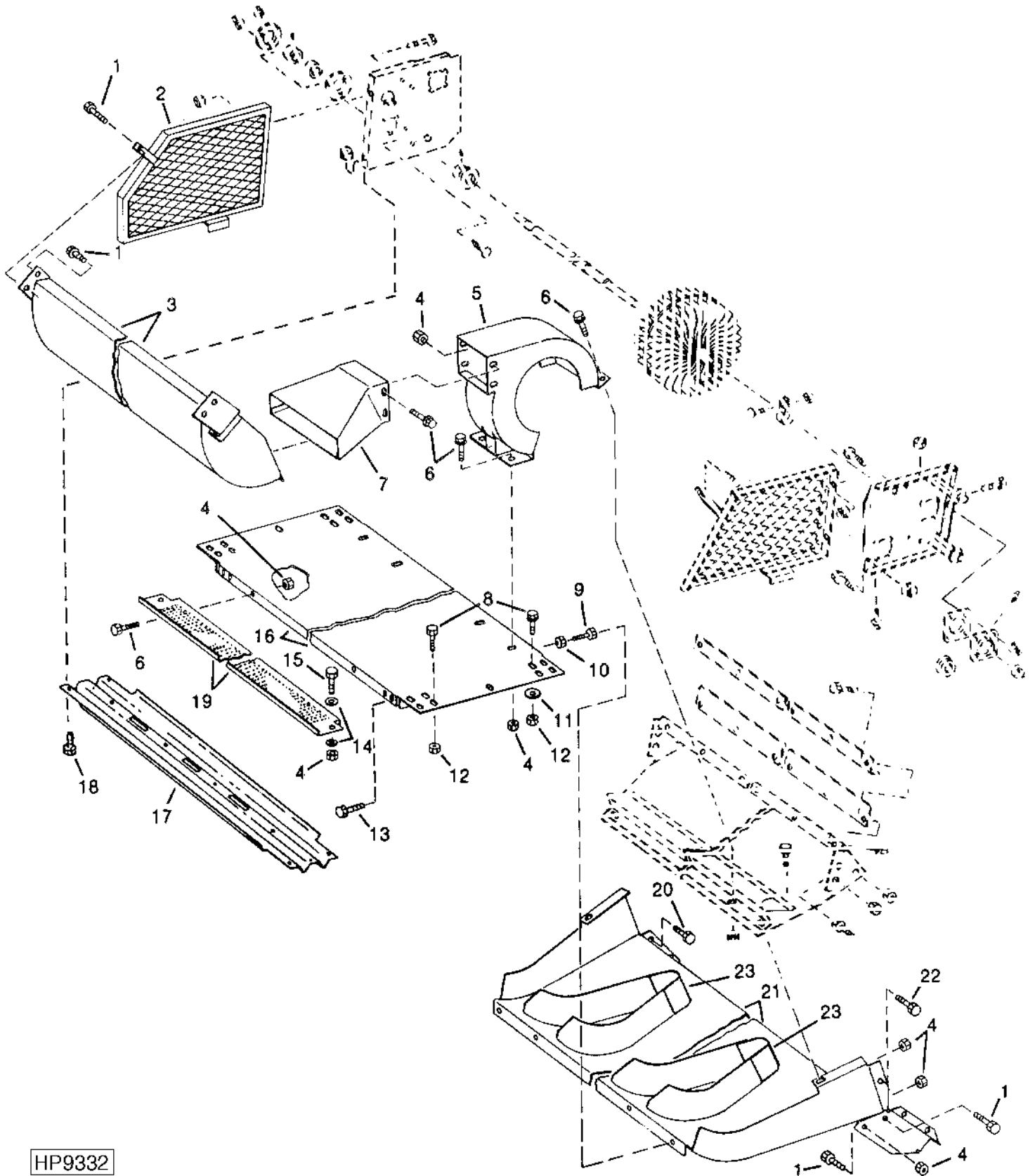
CLEANING FANS AND SHROUDS - CONTINUED

KEY	PART NO.	PART NAME	QTY	SERIAL NO.	REMARKS
1	14M7298	FLANGE NUT	AR	M8	
2	JD7788	LUBRICATION FITTING	2		
3	AE26118	PRESSED FLANGED HOUSING	1		
4	22M7027	SET SCREW	2	M6 X 16	
5	AZ10044	ECCENTRIC LOCKING COLLAR	1		
6	JD9490	BALL BEARING	1		
7	N52258	PRESSED FLANGED HOUSING	1		
8	H150091	BRACKET	1	(SUB FOR H134213 OR H146754)	
9	19M7865	SCREW	AR		
10	14M7400	LOCK NUT	4	M10	
11	H122372	WHEEL	2		
12	03M7185	BOLT	3	M8 X 25	
13	H135396	SHAFT	1		
14	H130355	ROTOR	4		
15	03M7189	BOLT	8		
	03M7216	BOLT	8	671527-	M8 X 50
16	H130695	CLAMP	8		(SUB H144467)
	H144467	CLAMP	8	-670203	(SUB H130695)
	H130695	CLAMP	8	670204-	
17	19M7867	SCREW	AR	M8 X 25	
18	03M7198	BOLT	4		
19	AH149328	BRACKET	1	(SUB FOR AH131319, AH140620 OR AH144079) (INCLUDES H150092) L.H.	
20	H113625	PRESSED FLANGED HOUSING	1		
21	14M7299	FLANGE NUT	AR	M12	
22	AL14674	ECCENTRIC LOCKING COLLAR	1		
23	H113626	PRESSED FLANGED HOUSING	1		
24	AH139297	BALL BEARING	1		
25	14M7396	LOCK NUT	AR	M8	
26	19M7898	SCREW	4	-665132	M10 X 130
	19M7944	SCREW	4	665133-	
27	19M7803	SCREW	4	M8 X 70	
28	AH130988	SHIELD	4	L.H. (FOR CORN ONLY)	
29	H75951	REINFORCEMENT	1	-635797	(SUB H134308)
	H134308	REINFORCEMENT	1		
30	H133081	SEAL	1		
31	AH128313	AIR DUCT	1		
..	BH80129	COMPLETE GOODS/SHIP. BUNDLE	1	CLEANING FAN SHIELDS	

6D7

CLEANING FAN AND SHROUDS

HP9332 -UN-22NOV99



HP9332

6D8

THRESHING AND SEPARATION

CLEANING FANS AND SHROUDS - CONTINUED

KEY	PART NO.	PART NAME	QTY	SERIAL NO.	REMARKS
1	19M7867	SCREW	AR		M8 X 25
	37M7083	SCREW	4	640817-	M8 X 12, (USED ON AIR DUCT)
2	AH127726	SHIELD	1		R.H.
3	AH126214	AIR DUCT	1		
4	14M7298	FLANGE NUT	AR		M8
5	AH163762	HOUSING	4		(SUB FOR AH125692 AND AH128618)
6	19M7865	SCREW	AR		M8 X 16
7	AH163762	HOUSING	4		(SUB FOR AH128618 AND AH125692)
8	19M7818	SCREW	AR		M12 X 80
9	19M7866	SCREW	AR		M8 X 20
10	14M7396	LOCK NUT	AR		M8
11	28H2611	SPACER	18		0.546" X 0.840" X 2"
12	14M7299	FLANGE NUT	AR		M12
13	19M7789	SCREW	4		M12 X 30
14	24M7207	WASHER	4		8.400 X 24 X 2 MM
15	19M7868	SCREW	2		
16	AH149879	SUPPORT	1		(SUB FOR AH128307)
17	H134996	PLATE	1	-665320	(SUB H157282) (FOR CORN AND GRAIN ONLY)
	H137389	PLATE	1		(FOR RICE ONLY)
	H157282	PLATE	1	665321-	(FOR CORN AND GRAIN ONLY)
18	19M7898	SCREW	4		M10 X 130
19	H144558	SHIELD	1		(SUB FOR AH132827)
20	19M8039	SCREW	AR		M8 X 80
21	AH130477	AIR DUCT	1		
22	19M7800	SCREW	2		M8 X 50
23	AH138384	MOUNTING PARTS	1	635181-	(CONTAINS (3) COVERS)
..	BH80129	COMPLETE GOODS/SHIP. BUNDLE	1		CLEANING FAN SHIELDS

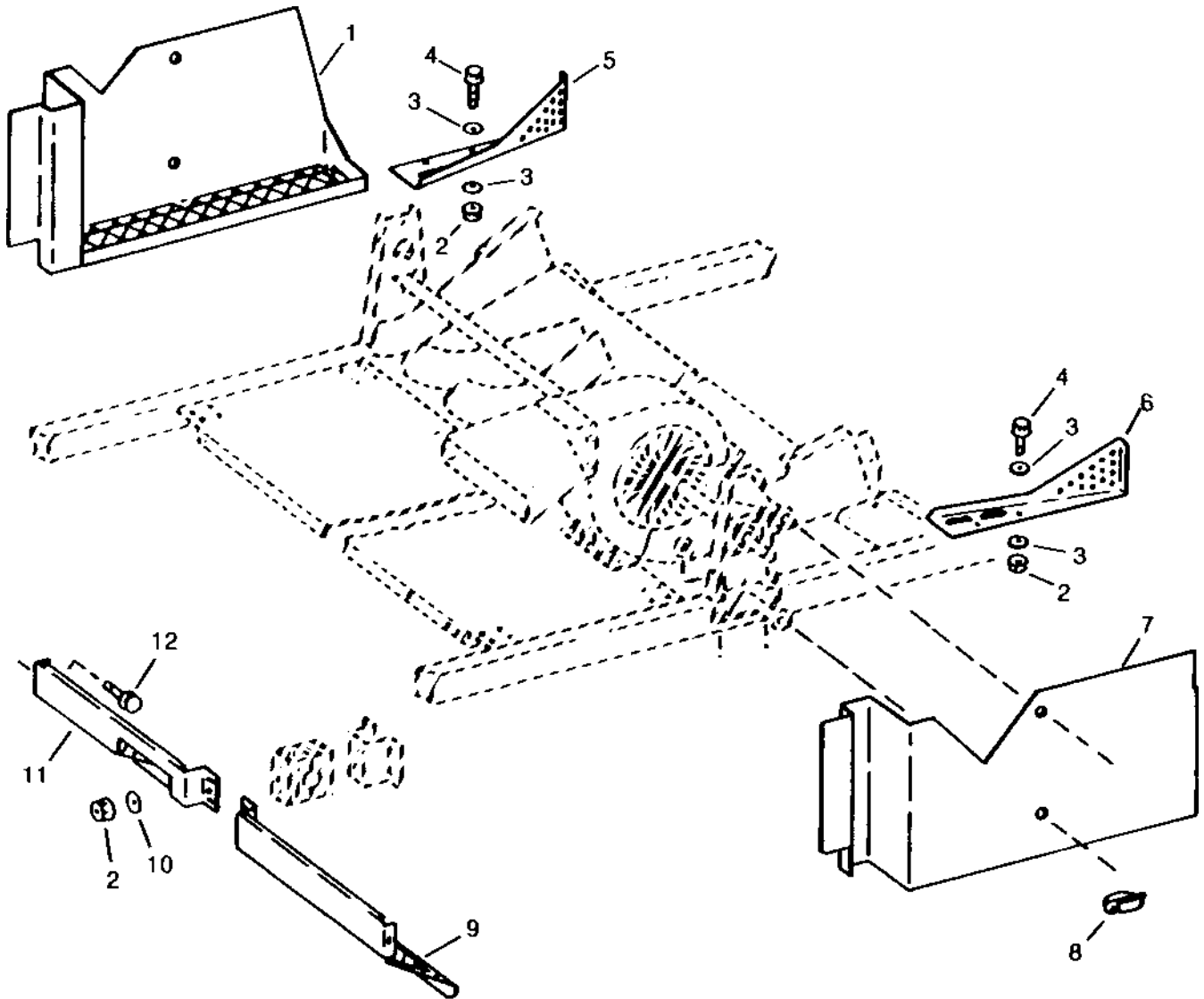
6D9

THRESHING AND SEPARATION

CLEANING FAN INTAKE SHIELDS (OPTIONAL)

(-645100)

HP6254 -UN-04JAN96



HP6254

6D10

THRESHING AND SEPARATION

CLEANING FAN INTAKE SHIELDS (OPTIONAL) - CONTINUED
 (-645100)

KEY	PART NO.	PART NAME	QTY	SERIAL NO.	REMARKS
1	AH132860	SHIELD	1	-643855	(SUB AH138374) R.H.
	AH138374	SHIELD	1		
2	14M7298	FLANGE NUT	4		M8
3	24M7207	WASHER	4		8.400 X 24 X 2 MM
4	19M7801	SCREW	2		M8 X 60
5	H137348	SHIELD	1	-643855	(SUB H145950) R.H.
	H145950	SHIELD	1		
6	H137347	SHIELD	1	-643855	(SUB H145950) L.H.
	H145949	SHIELD	1		
7	AH132859	SHIELD	1		(SUB AH137204) L.H.
8	M72598	QUICK LOCK PIN	4		
9	AH132157	SHIELD	1	-645100	(SUB H134681) L.H.
	H134681	SHIELD	1		
10	24M7055	WASHER	2		8.400 X 16 X 1.600 MM
11	AH132158	SHIELD	1	-645100	(SUB H134681) R.H.
	H134681	SHIELD	1		
12	19M7866	SCREW	1		M8 X 20, (INTO WELDNUT)
..	BH79685	COMPLETE GOODS/SHIP. BUNDLE	1		CLEANING FAN INTAKE SHIELDS

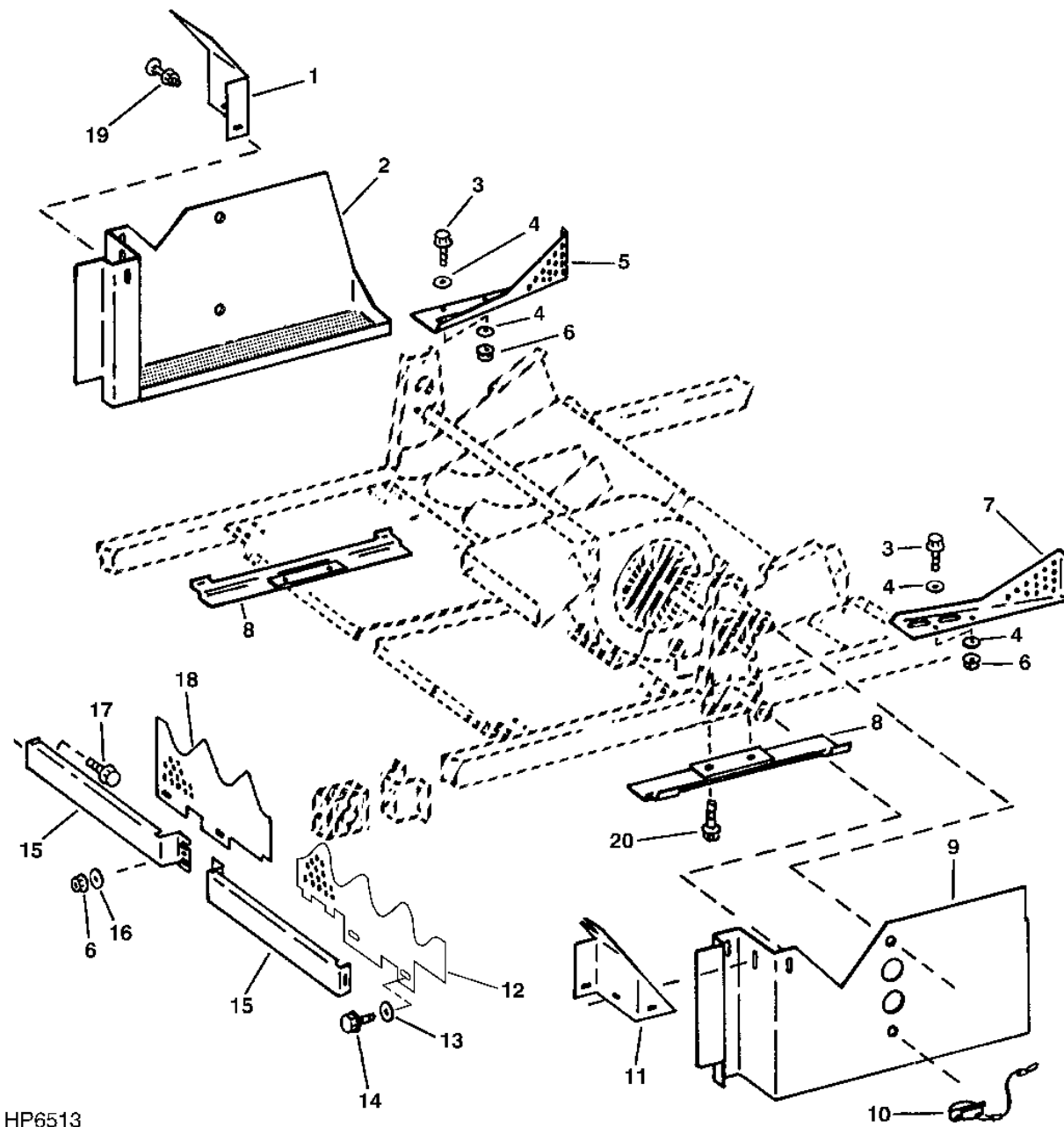
6D11

THRESHING AND SEPARATION

CLEANING FAN INTAKE SHIELDS

(OPTIONAL) (645101-)

HP6513 -UN-15JUL96



HP6513

6D12

THRESHING AND SEPARATION

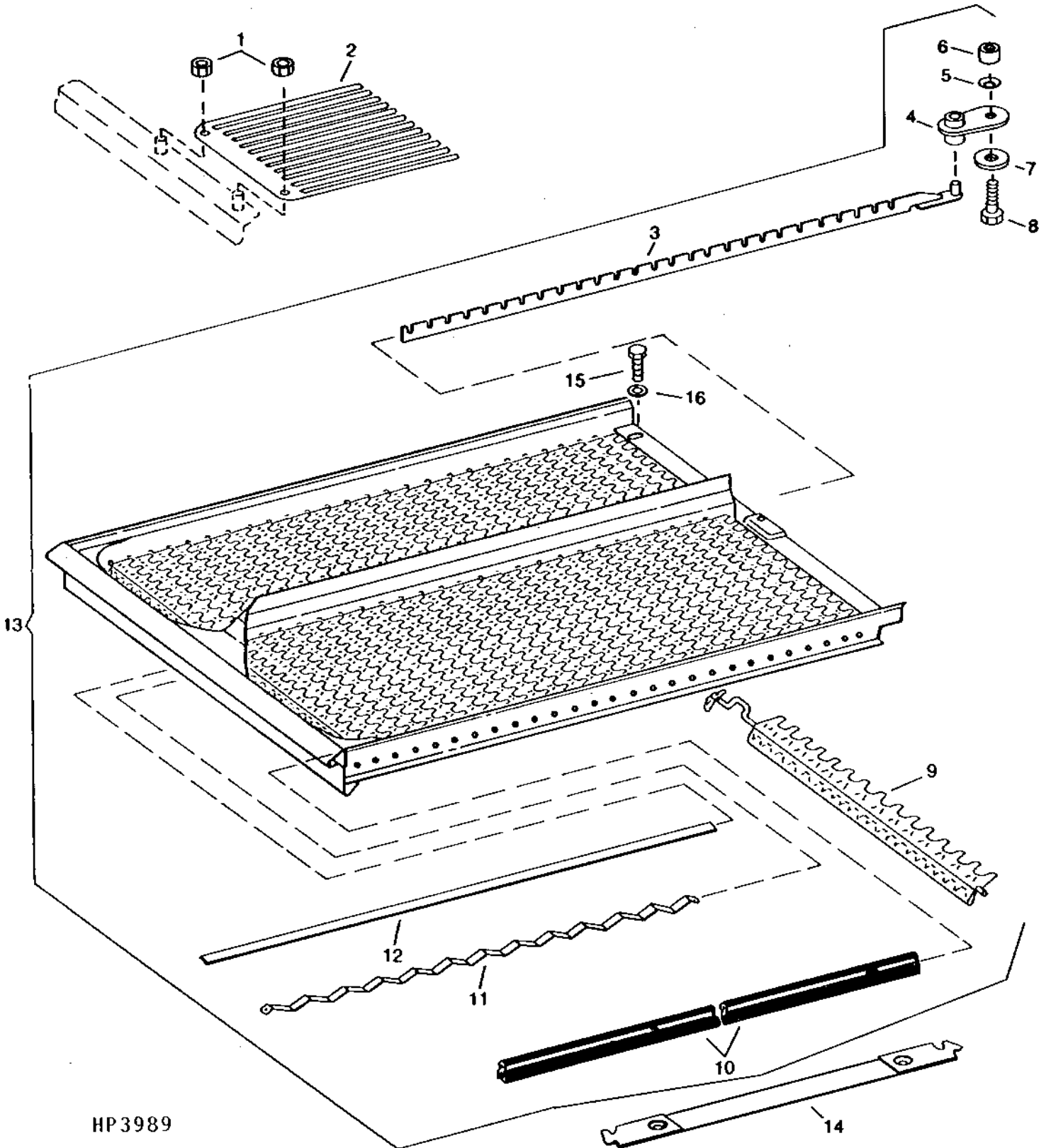
CLEANING FAN INTAKE SHIELDS - CONTINUED
(OPTIONAL) (645101-)

KEY	PART NO.	PART NAME	QTY	SERIAL NO.	REMARKS
1	H144556	SHIELD	1		R.H.
2	AH138374	SHIELD	1		R.H.
3	19M7801	SCREW	2		M8 X 60
4	24M7207	WASHER	4		8.400 X 24 X 2 MM
5	H145950	SHIELD	1		R.H.
6	14M7298	FLANGE NUT	4		M8
7	H145949	SHIELD	1		L.H.
8	AH132356	CLIP	2		(FOR RICE ONLY)
9	AH138375	SHIELD	1		L.H.
10	AH135290	QUICK LOCK PIN	2		
11	H144557	SHIELD	1		L.H.
12	H145899	SHIELD	1		(SUB H148361)
	H148361	SHIELD	1		L.H.
13	24M7178	WASHER	4		10.500 X 30 X 2.500 MM
14	37M7086	SCREW	4		M10 X 20, SELF-TAPPING
15	H134681	SHIELD	2	-665228	
	H151897	SHIELD	2	665229-	
16	24M7055	WASHER	2		8.400 X 16 X 1.600 MM
17	19M7866	SCREW	2		M8 X 20, (INTO WELDNUT)
18	H145900	SHIELD	1		(SUB H148362)
	H145976	SHIELD	1	-647403	(SUB H148362)
	H148362	SHIELD	1		R.H.
19	03M7183	BOLT	6		M8 X 16
	14M7298	FLANGE NUT	6		M8
20	19M7898	SCREW	4		M10 X 130, (FOR RICE ONLY)
..	BH79685	COMPLETE GOODS/SHIP. BUNDLE	1		CLEANING FAN SHIELDS
..	BH79773	COMPLETE GOODS/SHIP. BUNDLE	1		AXLE TRASH SHIELDS

6D13

THRESHING AND SEPARATION

PRECLEANING CHAFFER
HP3989 -UN-01JAN94



HP3989

6D14

THRESHING AND SEPARATION

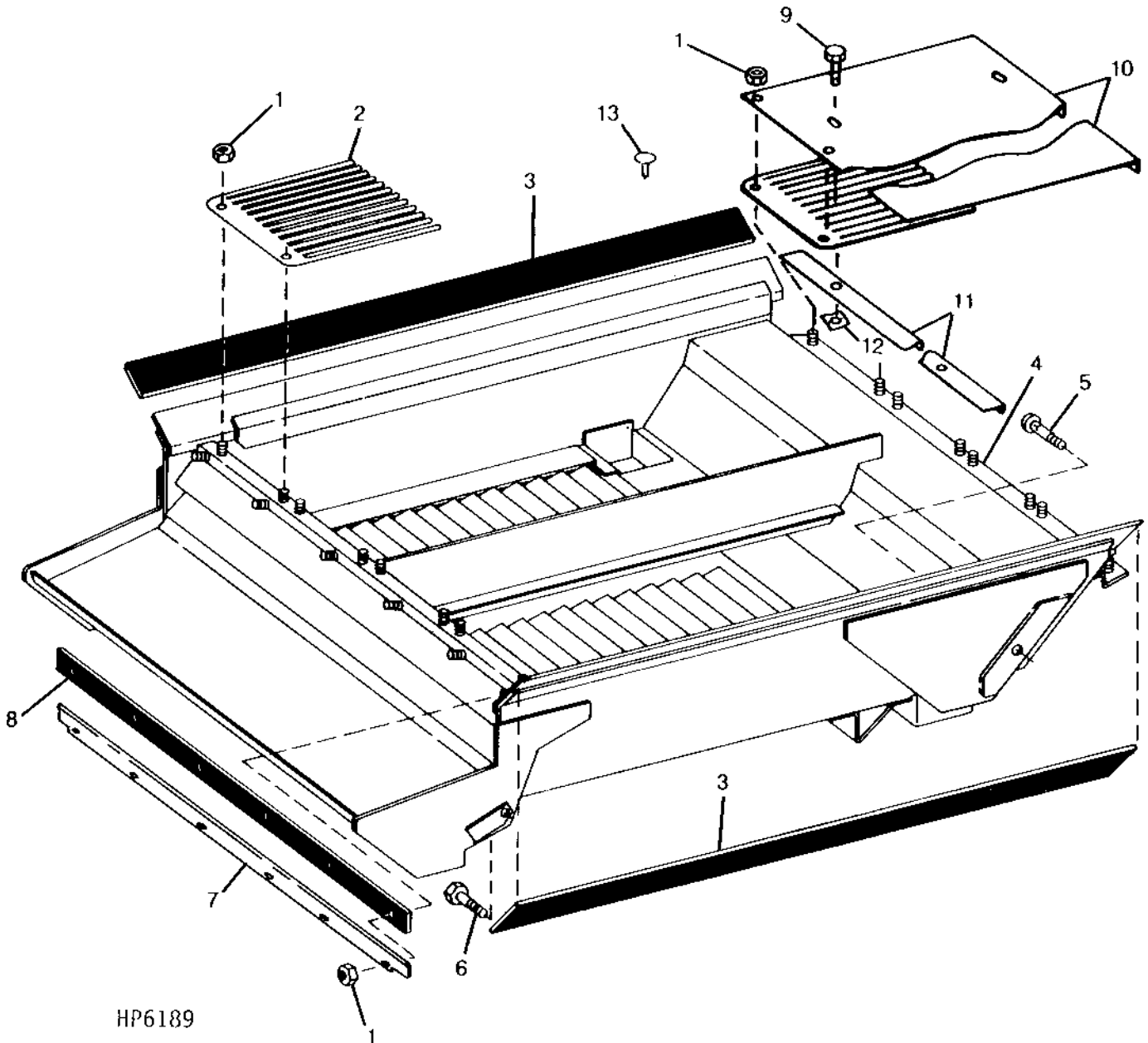
PRECLEANING CHAFFER - CONTINUED

KEY	PART NO.	PART NAME	QTY	SERIAL NO.	REMARKS
1	14M7396	LOCK NUT	AR		M8
2	H132160	FINGER	AR	-670100	(12 FINGER)
	H132161	FINGER	AR	-670100	(15 FINGER)
	H156717	FINGER	AR		12 FINGER
	H156718	FINGER	AR		15 FINGER
3	AH130186	STRIP	1		(12 FINGER)
4	AH122080	LINK	1		
5	H126934	WASHER	2		
6	H126932	NUT	1		
7	H126933	WASHER	1		
8	H110178	SCREW	1		
9	AH130185	LOUVER	26		GENERAL PURPOSE LOUVER
	AH127465	LOUVER	26		DEEP TOOTH LOUVER
10	AH127477	ISOLATOR	2	-640407	(SUB AH140044)
	AH140044	ISOLATOR	2		
11	H132291	LEAF SPRING	2		
12	H132288	STRIP	2		
13	AH149545	PRESCREENER	2		(SUB FOR AH130151 OR AH148508) GENERAL
	AH149549	PRESCREENER	2		PURPOSE LOUVER (SUB FOR AH130154 OR AH148511) DEEP TOOTH LOUVER
	AH131215	CHAFFER	2		FIXED, 3 MM (1/8") ROUND HOLES
	AH127871	CHAFFER	2		STEP PAN SURFACE, NON-PERFORATED
14	AH131213	HANDLE	1		(SUB H149997)
	H149997	GRIP	1	650437-	
15	19M7785	SCREW	3		M10 X 25
16	24H1308	WASHER	3		13/32" X 1" X 0.134"

6D15

THRESHING AND SEPARATION

PRECLEANER CHAFFER FRAME
HP6189 -UN-03OCT95



HP6189

6D16

THRESHING AND SEPARATION

PRECLEANER CHAFFER FRAME - CONTINUED

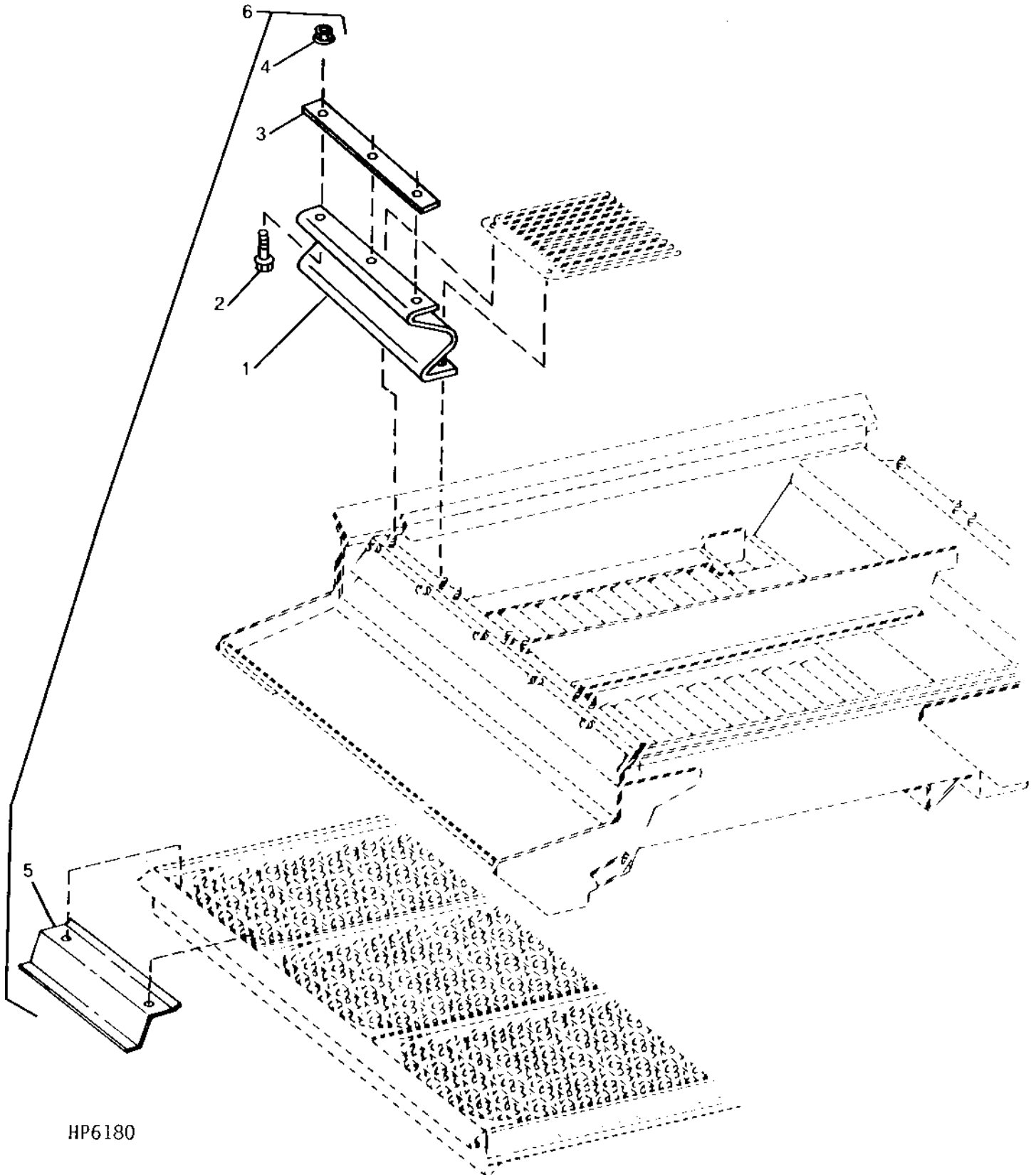
KEY	PART NO.	PART NAME	QTY	SERIAL NO.	REMARKS
1	14M7396	LOCK NUT	8		M8
2	H132160	FINGER	2	-670100	12 FINGER
	H132161	FINGER	4		15 FINGER (FRONT)
	H156717	FINGER	2		12 FINGER
	H156718	FINGER	4		15 FINGER (REAR)
3	H140247	SEAL	2		
4	AH128458	FRAME	1	-665100	(SUB AH146824)
	AH146824	FRAME	1	-670100	(SUB AH149994)
	AH149994	FRAME	1	-670227	
	AH153808	FRAME	1		
5	03M7281	BOLT	2	-665307	M16 X 180
	H154930	BOLT	2	665308-	
6	19M7758	CAP SCREW	2		M12 X 130
7	H135544	STRIP	1	-665100	
	H152617	STRIP	1	665101-	
8	H135542	SEAL	1	-665100	
	H152616	SEAL	1	665101-	
9	19M7868	SCREW	8		M8 X 30
10	H136609	SHEET	1		
11	H136611	ANGLE	4		
12	R87345	LOCK NUT	8		
13	R55326	RIVET	6		
..	BH78575	COMPLETE GOODS/SHIP. BUNDLE	1		MAIZE COVER

6D17

THRESHING AND SEPARATION

GRAIN LEAK KIT

(660491-)
HP6180 -UN-03OCT95



6D18

THRESHING AND SEPARATION

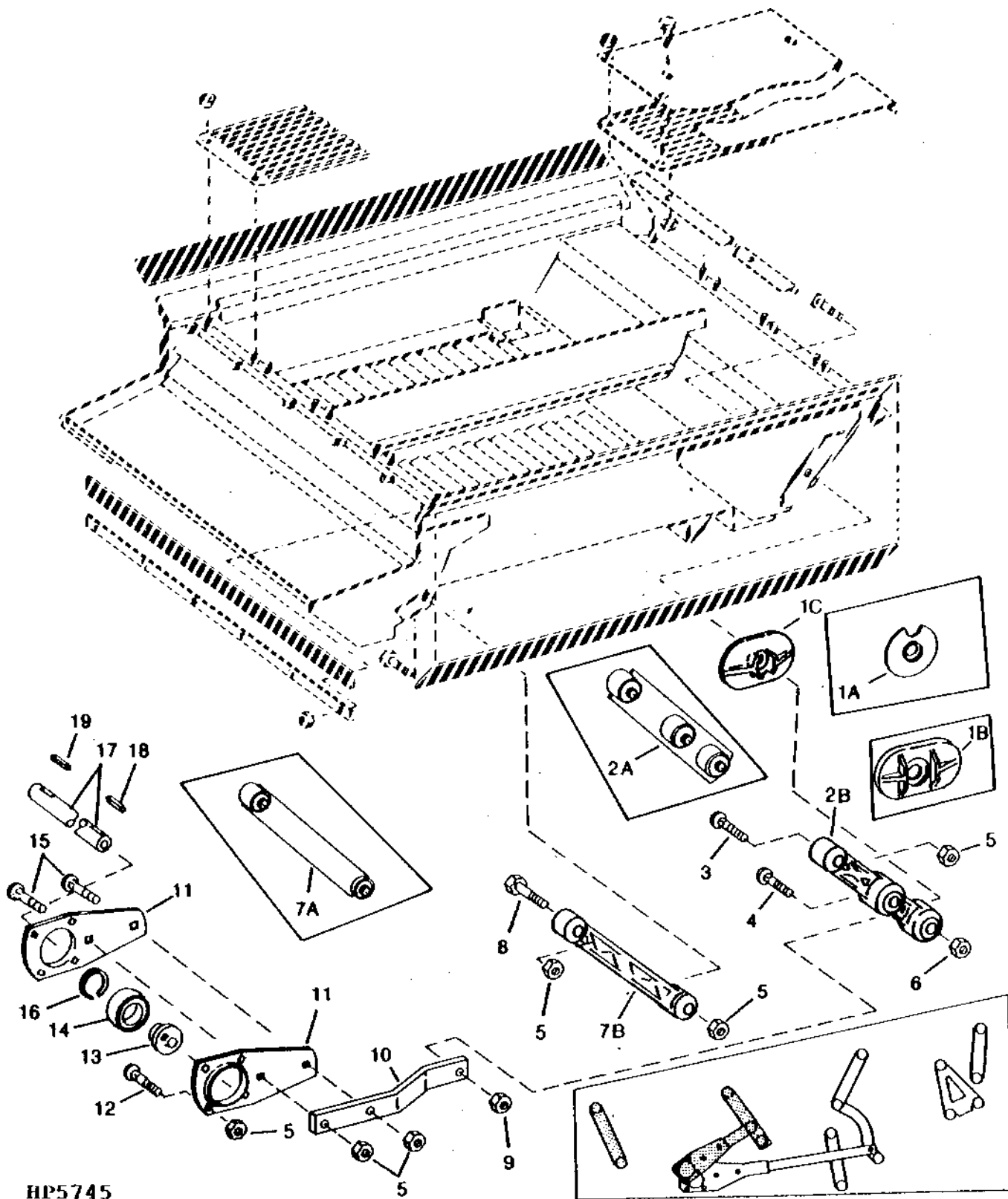
GRAIN LEAK KIT - CONTINUED
(660491-)

KEY	PART NO.	PART NAME	QTY	SERIAL NO.	REMARKS
1	H153648	SEAL	2		(R.H. SIDE ILLUSTRATED)
2	19M7862	SCREW	6		M6 X 20
3	H153649	STRAP	1		
4	14M7303	FLANGE NUT	6		M6
5	H153760	GUARD	4		(R.H. SIDE ILLUSTRATED)
6	AH147584	KIT	1		COMPLETE

6D19

THRESHING AND SEPARATION

PRECLEANER CHAFFER FRAME ARMS
HP5745 -UN-01JAN94



HP5745

6D20

THRESHING AND SEPARATION

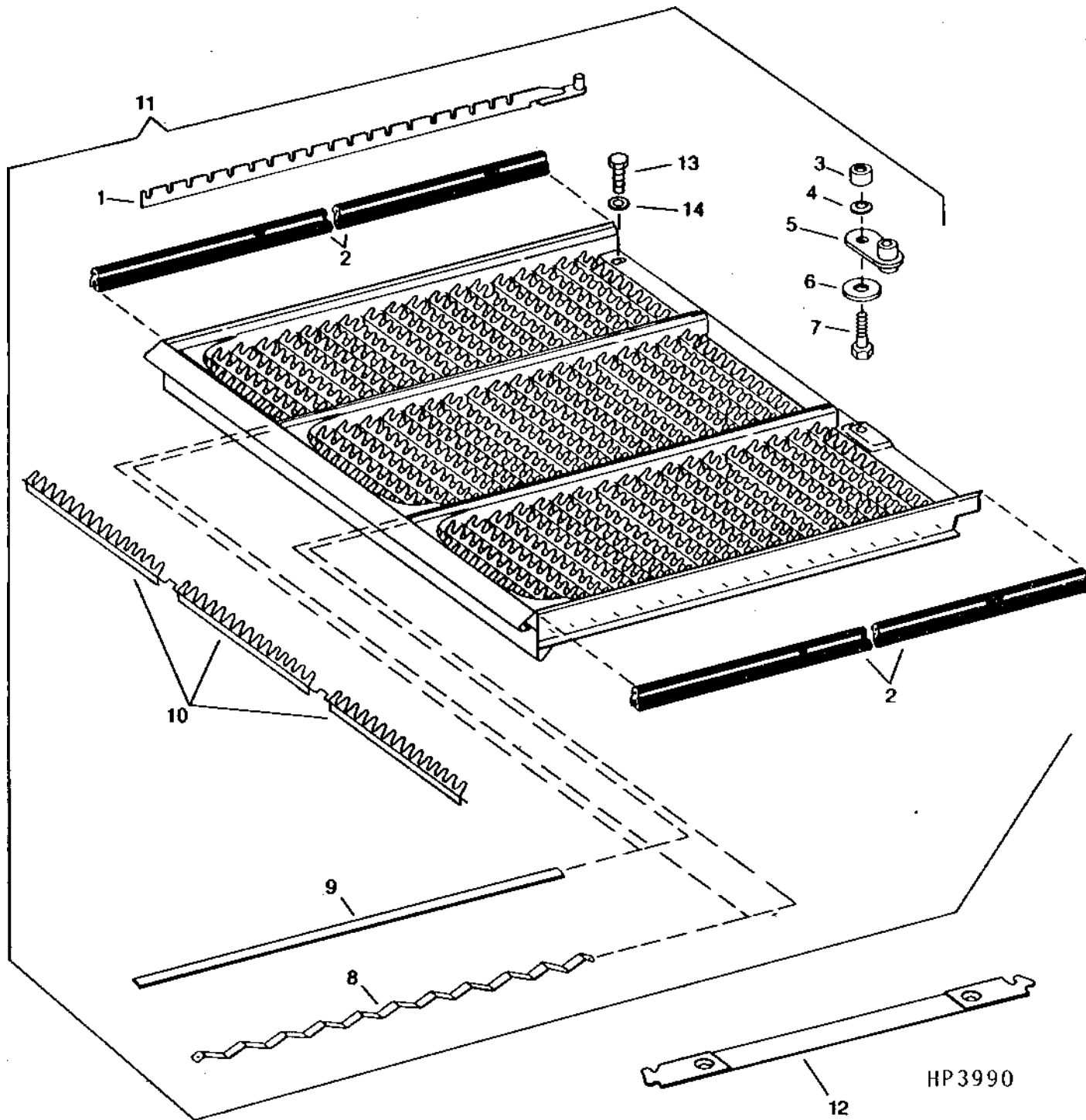
PRECLEANER CHAFFER FRAME ARMS - CONTINUED

KEY	PART NO.	PART NAME	QTY	SERIAL NO.	REMARKS
1A	H137187	SEAL	2		(SUB H141416)
1B	H141416	SEAL	2	-645699	(USE WITH AH125967) ONLY
1C	H146672	SEAL	2	645700-	(USE WITH AH138234) ONLY
2A	AH125967	LINK	2	-645655	
2B	AH138234	LINK	2	645656-	CAST
3	03M7248	BOLT	2		M12 X 90
4	19M8043	CAP SCREW	2		M16 X 140
5	14M7299	FLANGE NUT	AR		M12
6	14M7276	NUT	2		M16
7A	AH126097	ARM	2	-645699	(SUB AH138231)
7B	AH138231	LINK	2		CAST
8	19M7818	SCREW	1		M12 X 80
9	14M7291	FLANGE NUT	2		M16
10	H130922	PITMAN	2		
11	H134118	PRESSED FLANGED HOUSING	4		
12	03M7197	BOLT	AR		M12 X 25
13	H133599	CAM	1		L.H.
	H133602	CAM	1		R.H.
14	AH125975	BALL BEARING	2		
15	03M7200	BOLT	AR		M12 X 40
16	R43383	SNAP RING	2		
17	H133598	SHAFT	1		CLEANING SHOE SHAFT
18	SHAFT KEY	1		6 X 50 MM(IN AH141142 KEY STOCK KIT) (CUT FROM H150268)
19	SHAFT KEY	1		6 X 100MM (IN AH141142 KEY STOCK KIT) (CUT FROM H150268)

6D21

THRESHING AND SEPARATION

CHAFFER ELEMENT
HP3990 -UN-01JAN94



6D22

THRESHING AND SEPARATION

CHAFFER ELEMENT - CONTINUED

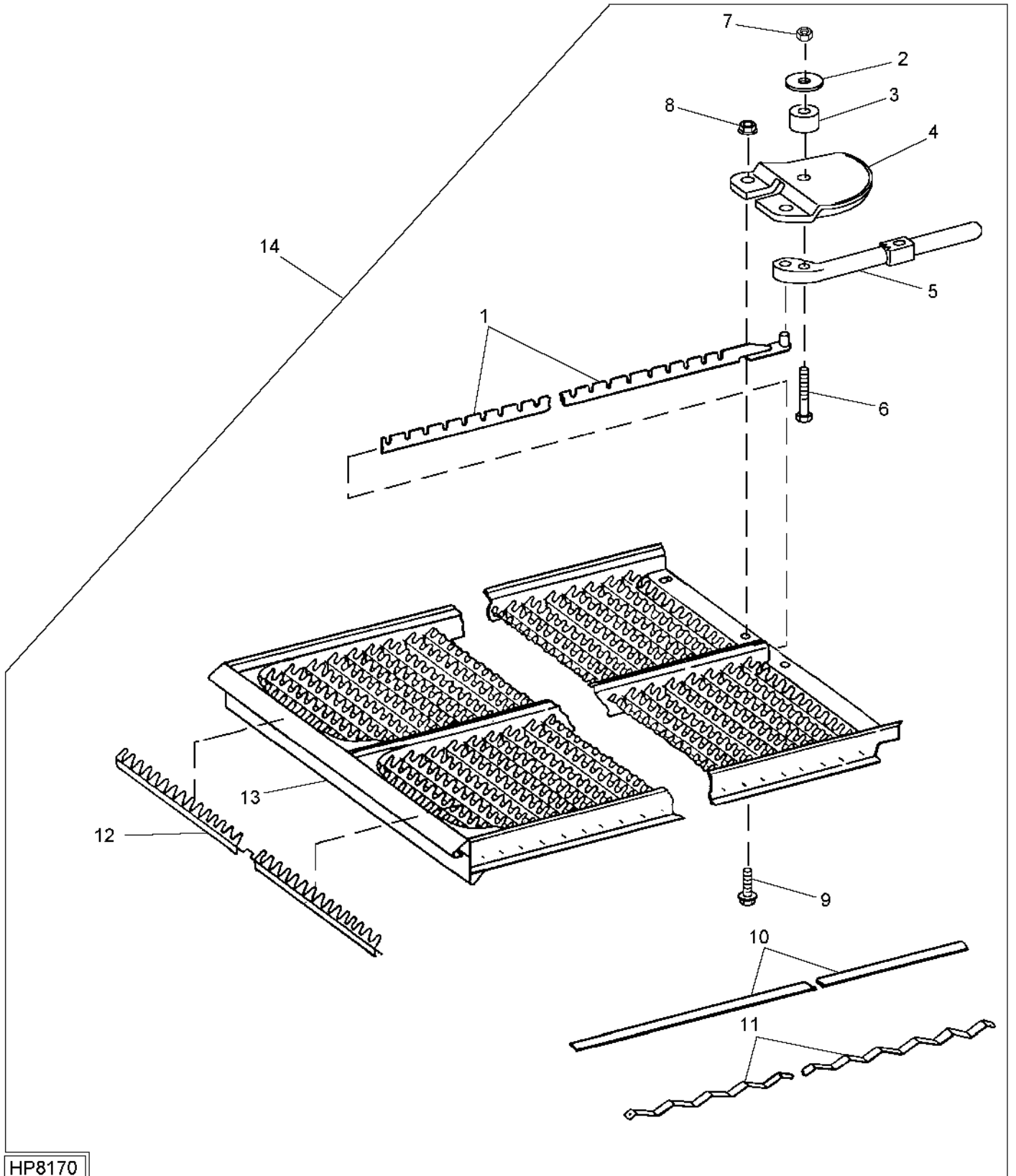
KEY	PART NO.	PART NAME	QTY	SERIAL NO.	REMARKS
1	AH130186	STRIP	1		
2	AH127477	ISOLATOR	2	-640407	(SUB AH140044)
	AH140044	ISOLATOR	2		
3	H126932	NUT	1		FOR SEMI-DEEP TOOTH LOUVERS
4	H126934	WASHER	2		
5	AH122080	LINK	1		
6	H126933	WASHER	1		
7	H110178	SCREW	1		
8	H132291	LEAF SPRING	1		
9	H132288	STRIP	1		
10	AH132787	LOUVER	26		(ALSO REQUIRES (1) AH127465) FOR GENERAL PURPOSE LOUVERS
	AH127465	LOUVER	27		FOR SEMI-DEEP TOOTH LOUVERS
11	AH149551	CHAFFER	1		FOR GENERAL PURPOSE LOUVERS, (SUB FOR AH132785)
	AH127426	CHAFFER	1		FOR SEMI-DEEP TOOTH LOUVERS
	AH130486	CHAFFER	1		FOR FIXED LOUVERS
12	AH131213	HANDLE	1	-650436	(ONLY 1 NEEDED PER MACHINE) FOR GENERAL, (SUB H149997) PURPOSE LOUVERS
	H149997	GRIP	1	650437-	
13	19M7785	SCREW	3		M10 X 25, NOT INCLUDED IN KEY 11
14	24H1308	WASHER	3		13/32" X 1" X 0.134", NOT INCLUDED IN KEY 11

QUANTITIES LISTED ARE FOR 1 UNIT. 2 UNITS PER MACHINE.

6D23

THRESHING AND SEPARATION

CHAFFER ELEMENT-DEEP TOOTH NARROW
HP8170 -UN-17FEB99



HP8170

6D24

THRESHING AND SEPARATION

CHAFFER ELEMENT-DEEP TOOTH NARROW-CONTINUED

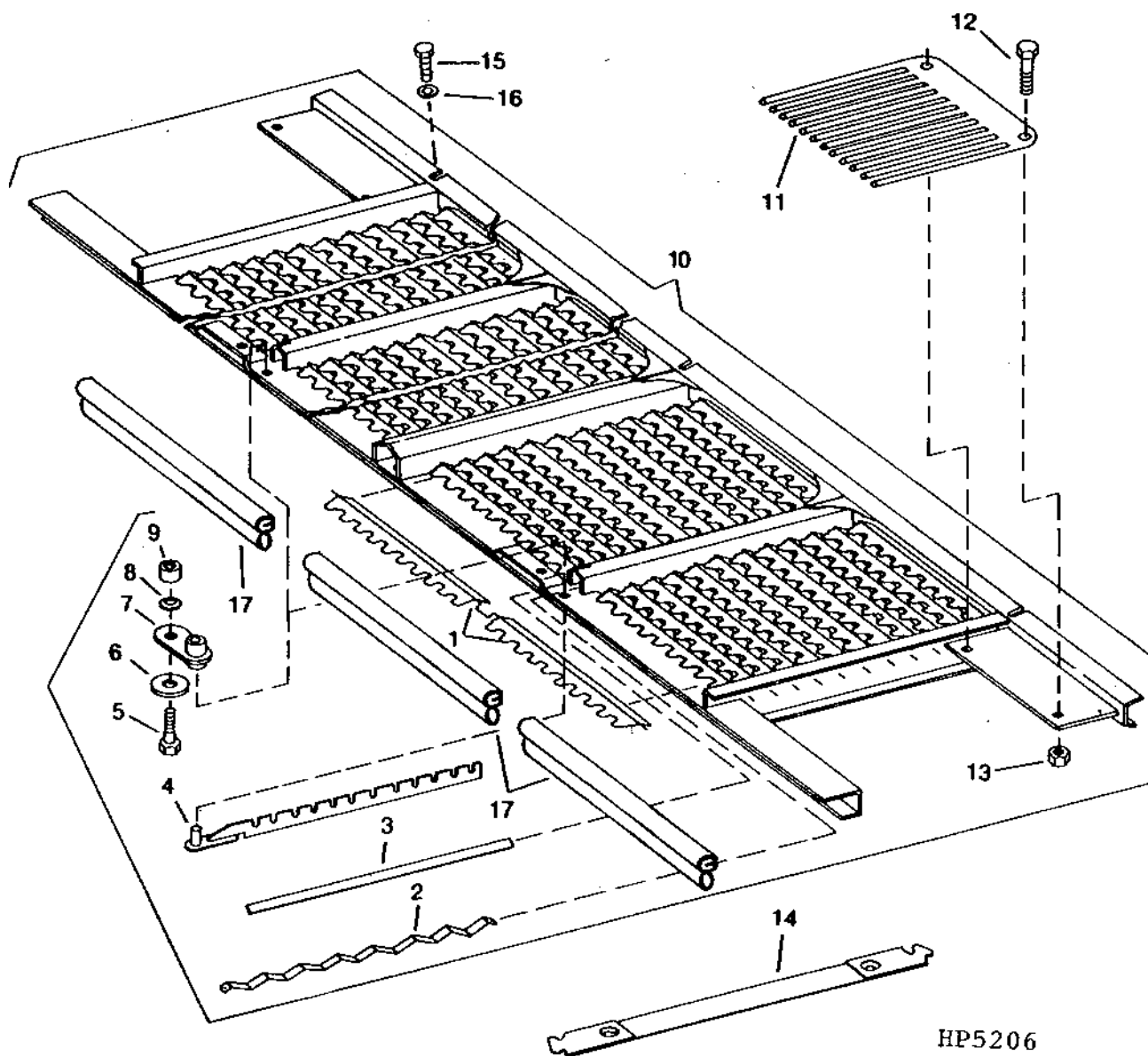
KEY	PART NO.	PART NAME	QTY	SERIAL NO.	REMARKS
1	AH150167	STRIP	1		
2	24H1695	WASHER	1		9/32" X 1-3/8" X 0.065"
3	A37576	PAD	1		
4	H157740	BRACKET	1		
5	H157743	HANDLE	1		
6	19M7177	CAP SCREW	1		M6 X 35
7	14M7397	LOCK NUT	1		M6
8	14M7296	FLANGE NUT	2		M10
9	19M7784	SCREW	2		M10 X 20
10	H132288	STRIP	1		
11	H132291	LEAF SPRING	1		
12	AH127465	LOUVER	27		
13	FRAME	1		
14	AH149553	CHAFFER	1		

6E1

THRESHING AND SEPARATION

CHAFFER EXTENSION ELEMENT

HP5206 -UN-01JAN94



HP5206

6E2

THRESHING AND SEPARATION

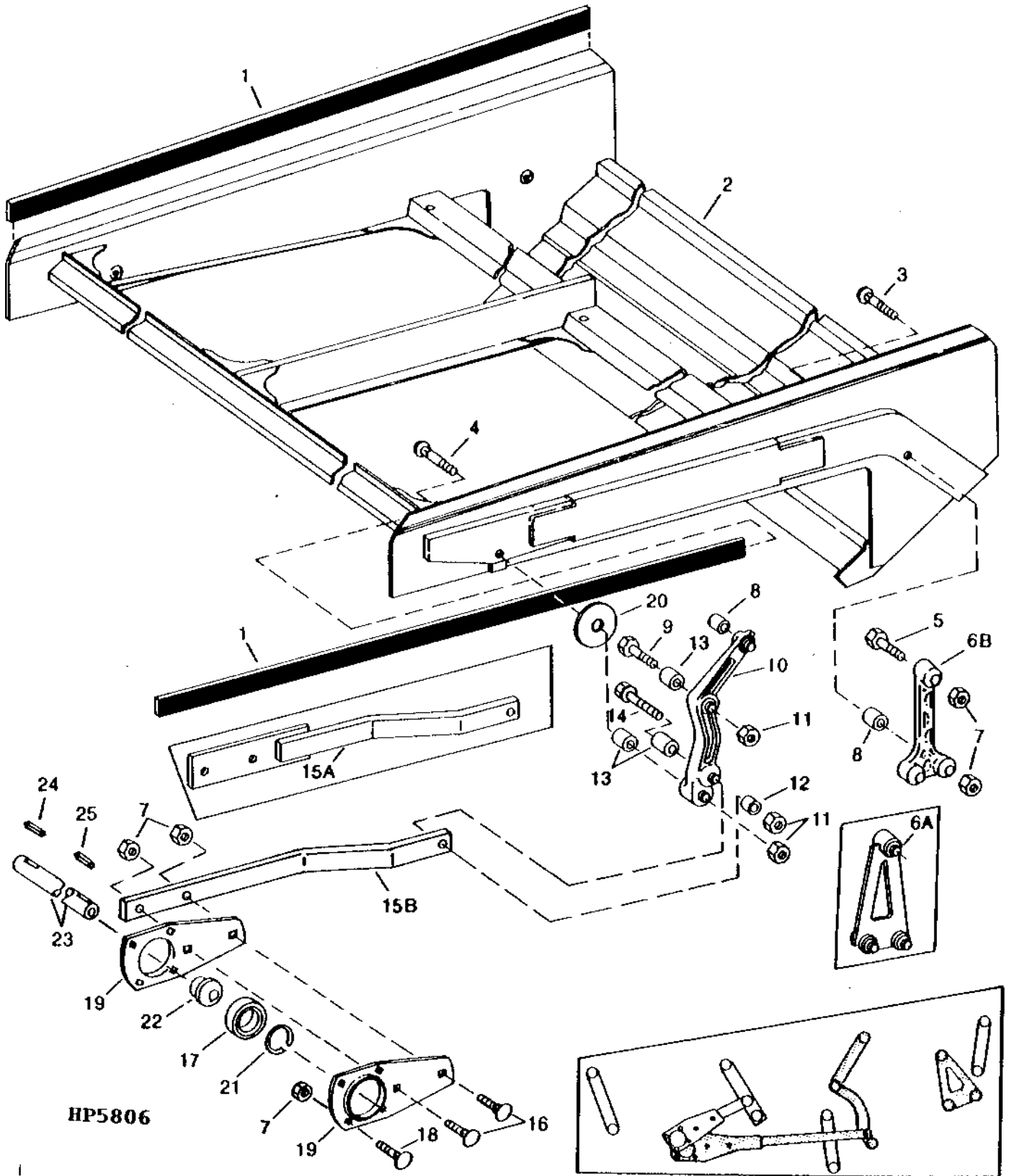
CHAFFER EXTENSION ELEMENT - CONTINUED

KEY	PART NO.	PART NAME	QTY	SERIAL NO.	REMARKS
1	AH127469	LOUVER	12		SEMI-DEEP TOOTH LOUVER
2	H132293	LEAF SPRING	2		
3	H132290	STRIP	2		
4	AH130189	STRIP	1		SEMI-DEEP TOOTH LOUVER
5	H110178	SCREW	1		
6	H126933	WASHER	1		
7	AH122080	LINK	1		
8	H126934	WASHER	2		
9	H126932	NUT	1		
10	AH127435	CHAFFER	1		SEMI-DEEP TOOTH LOUVER
	AH130996	CHAFFER	1		FIXED LOUVER
11	H132160	FINGER	2		
12	19M7866	SCREW	4		M8 X 20
13	14M7396	LOCK NUT	4		M8
14	AH131213	HANDLE	1	-650436	(SUB H149997)
	H149997	GRIP	1		
15	19M7785	SCREW	4		M10 X 25
16	24H1308	WASHER	4		13/32" X 1" X 0.134"
17	AH80335	WEATHERSTRIP	3		

6E3

THRESHING AND SEPARATION

CHAFFER FRAME
HP5806 -UN-01JAN94



6E4

THRESHING AND SEPARATION

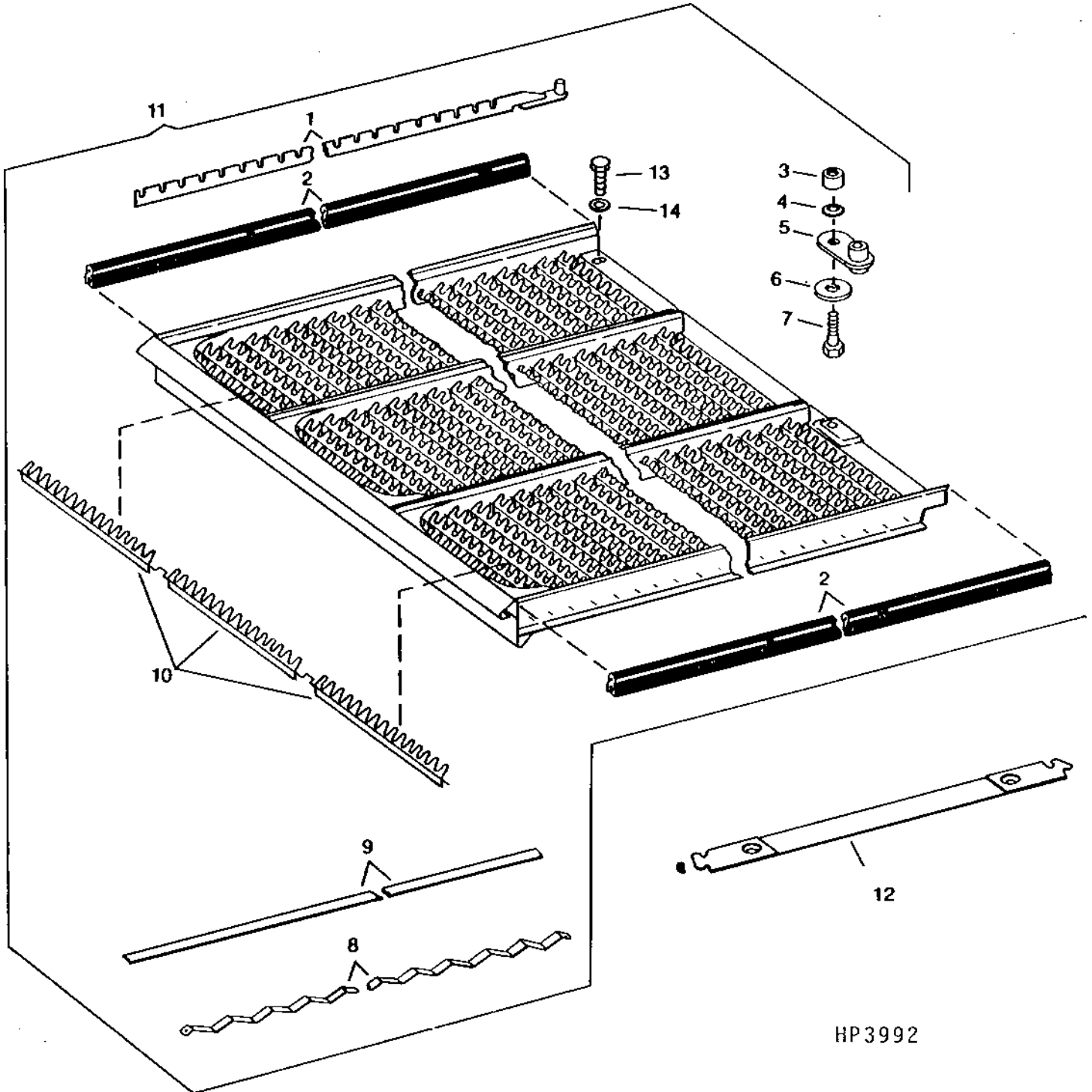
CHAFFER FRAME - CONTINUED

KEY	PART NO.	PART NAME	QTY	SERIAL NO.	REMARKS
1	H175540	SEAL	2		(SUB FOR H131319)
2	AH128464	FRAME	1		
3	19M7943	CAP SCREW	2		M12 X 90
4	19M7732	CAP SCREW	2		M16 X 130
5	03M7248	BOLT	2		M12 X 90
6A	AH125971	LINK	2	-645512	(SUB AH138232)
6B	AH138232	LINK	2		
7	14M7299	FLANGE NUT	AR		M12
8	AH125200	BUSHING	10	-645512	
9	03M7240	BOLT	2		M16 X 130
10	AH125969	ARM	1		L.H. SIDE
	AH125970	ARM	1		R.H. SIDE
11	14M7291	FLANGE NUT	AR		M16
12	H96690	SPACER	2		
13	AH125201	RUBBER MOUNT	2		
14	19M8486	CAP SCREW	2		M16 X 180
15A	AH125976	PITMAN	2	-650100	(SUB H147457)
15B	H147457	BAR	2		(SUB H150034)
	H150034	BAR	2		
16	03M7198	BOLT	AR		M12 X 30
	03M7200	BOLT	AR		M12 X 40
17	AH125975	BALL BEARING	2		
18	03M7197	BOLT	AR	-640291	M12 X 25
	03M7198	BOLT	AR	640292-	M12 X 30
19	H134118	PRESSED FLANGED HOUSING	4		
20	H137188	SEAL	2		
21	R43383	SNAP RING	2		
22	H133600	CAM	1		L H
	H133601	CAM	1		R H
23	H133598	SHAFT	1		
24	SHAFT KEY	1		6 X 50 MM (IN AH141142 KEY STOCK KIT) (CUT FROM H150268)
25	SHAFT KEY	1		6 X 100 MM (IN AH141142 KEY STOCK KIT) (CUT FROM H150268)

6E5

THRESHING AND SEPARATION

SIEVE ELEMENT
HP3992 -UN-01JAN94



HP3992

6E6

THRESHING AND SEPARATION

SIEVE ELEMENT - CONTINUED

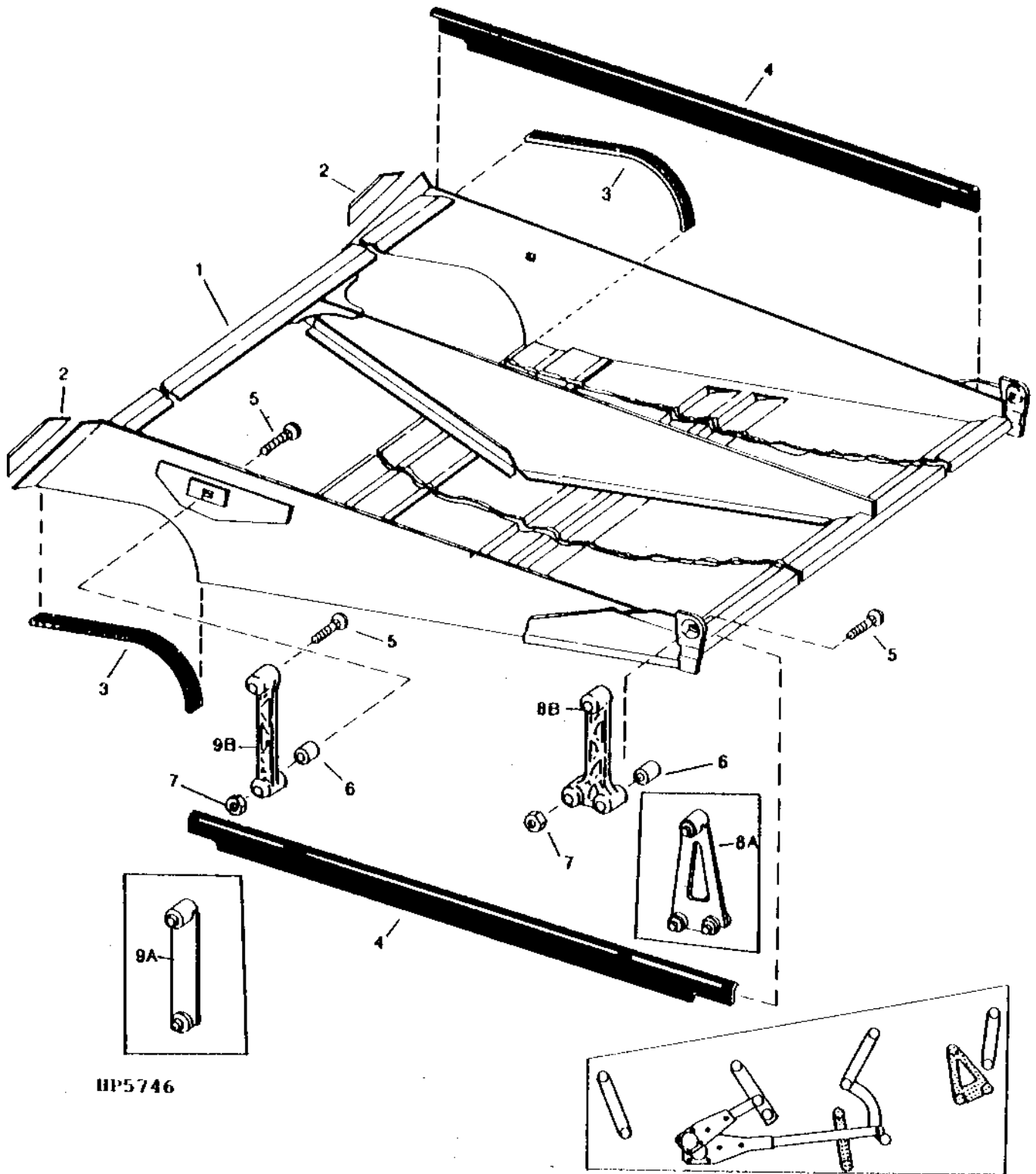
KEY	PART NO.	PART NAME	QTY	SERIAL NO.	REMARKS
1	AH130167	STRIP	1		
2	AH127477	ISOLATOR	2	-640407	(SUB AH140044)
	AH140044	ISOLATOR	2		
3	H126932	NUT	1		
4	H126934	WASHER	2		
5	AH122080	LINK	1		
6	H126933	WASHER	1		
7	H110178	SCREW	1		
8	H132292	LEAF SPRING	1		
9	H132289	STRIP	1		
10	AH130166	LOUVER	40		
11	AH130160	SCREEN	1		ADJUSTABLE
	AH131217	SIEVE	1		FIXED, 3 MM (1/8") ROUND HOLES
	AH131219	SIEVE	1		FIXED, 10 MM (3/8") ROUND HOLES
12	AH131213	HANDLE	1	-650436	(SUB H149997)
	H149997	GRIP	1		
13	19M7785	SCREW	3		M10 X 25, NOT INCLUDED IN KEY 11
14	24H1308	WASHER	3		13/32" X 1" X 0.134", NOT INCLUDED IN KEY 11

QUANTITIES LISTED ARE FOR ONE UNIT. 2 UNITS PER MACHINE.

6E7

THRESHING AND SEPARATION

SIEVE FRAME
HP5746 -UN-01JAN94



HP5746

6E8

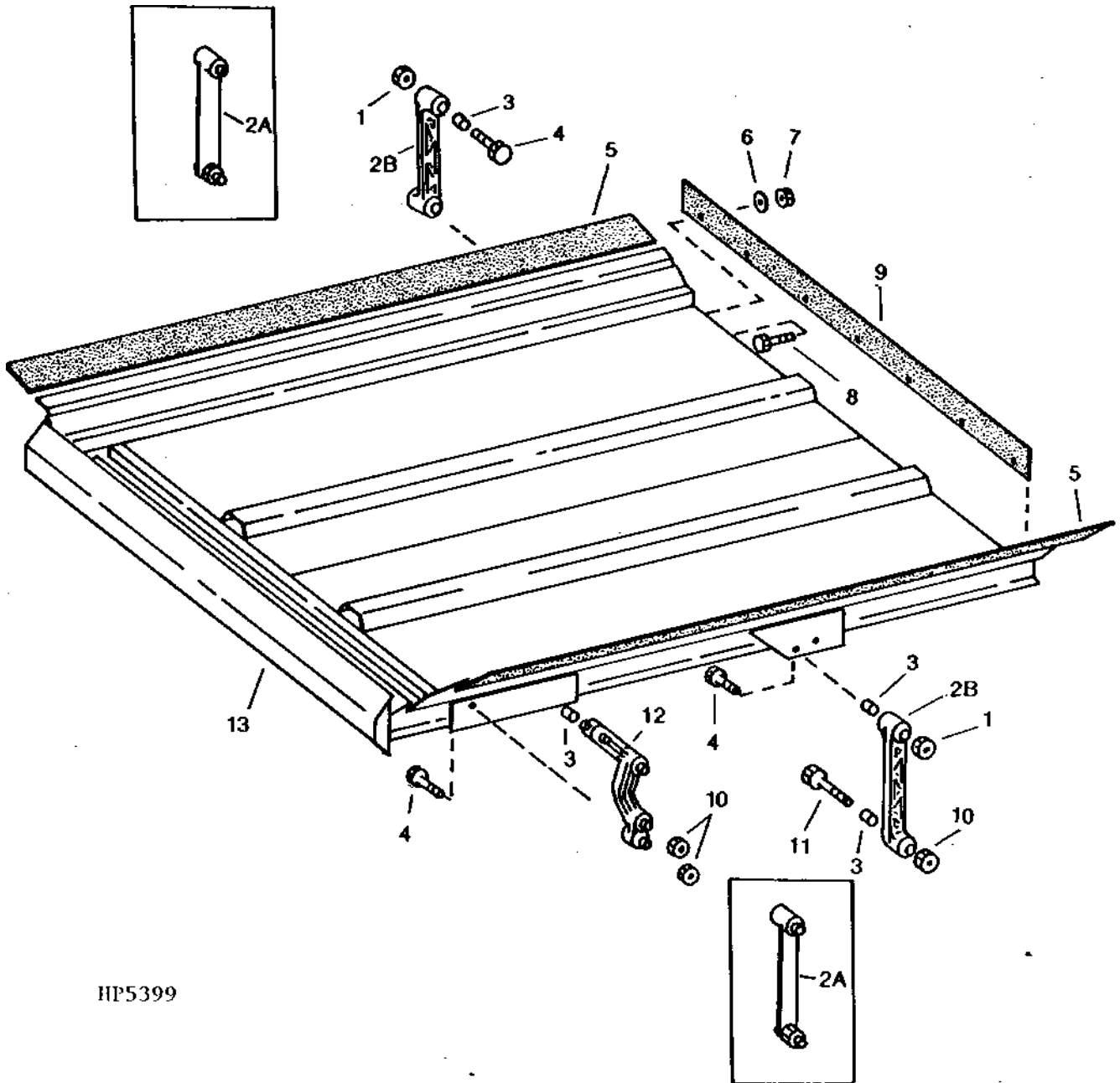
THRESHING AND SEPARATION

SIEVE FRAME - CONTINUED

KEY	PART NO.	PART NAME	QTY	SERIAL NO.	REMARKS
1	AH128461	FRAME	1	-9SEP96	
	AH149701	FRAME	1	9SEP96-	
2	H133288	SEAL	2		
3	SEAL	2		420 MM (16-1/2 ") CUT FROM AH133091
4	H133287	SEAL	2		
5	03M7248	BOLT	6		M12 X 90
6	AH125200	BUSHING	10	-645512	
7	14M7299	FLANGE NUT	6		M12
8A	AH125971	LINK	2	-645512	(SUB AH138232)
8B	AH138232	LINK	2		
9A	AH125966	ARM	2	-645512	(SUB AH138230)
9B	AH138230	LINK	2		

6E9

SHAKER PAN
HP5399 -UN-01JAN94



HP5399

6E10

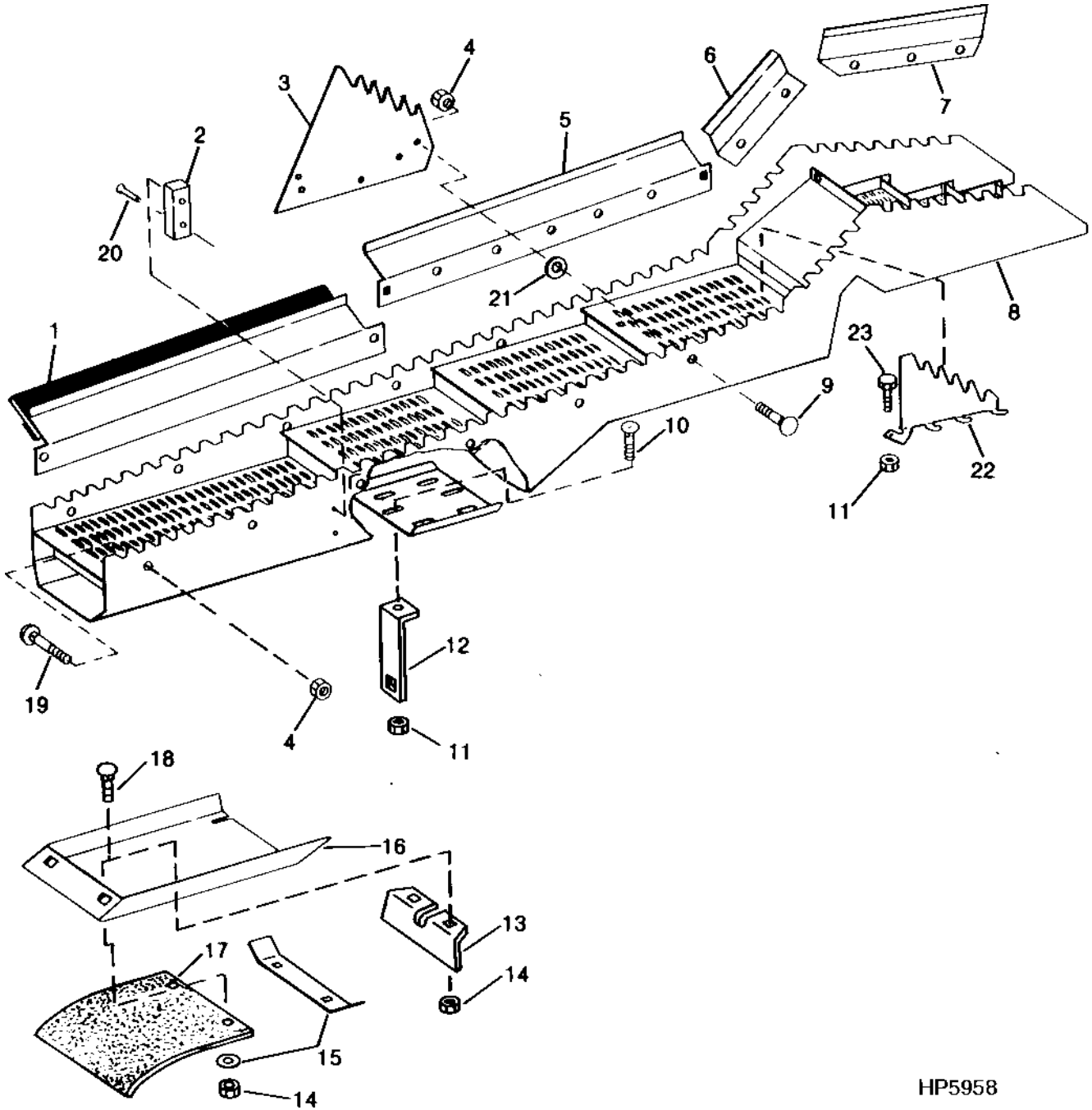
THRESHING AND SEPARATION

SHAKER PAN - CONTINUED

KEY	PART NO.	PART NAME	QTY	SERIAL NO.	REMARKS
1	14M7275	NUT	5		M12
2A	AH125966	ARM	2	-645512	(SUB AH138230)
2B	AH138230	LINK	2		
3	AH125200	BUSHING	6		
4	19M7821	SCREW	2		M12 X 120
5	H175590	SEAL	2		(SUB FOR H133768)
6	24H1299	WASHER	7		3/8" X 1-1/4" X 0.065"
7	14M7298	FLANGE NUT	7		M8
8	03M7184	BOLT	7		M8 X 20
9	H133789	SEAL	1		
10	14M7275	NUT	4		M12
11	19M7819	SCREW	2		M12 X 90
12	AH125970	ARM	1		R.H.
	AH125969	ARM	1		L.H.
13	AH128909	GRAIN PAN	1		

6E11

STRAW WALKERS
HP5958 -UN-27APR95



HP5958

6E12

THRESHING AND SEPARATION

STRAW WALKERS - CONTINUED

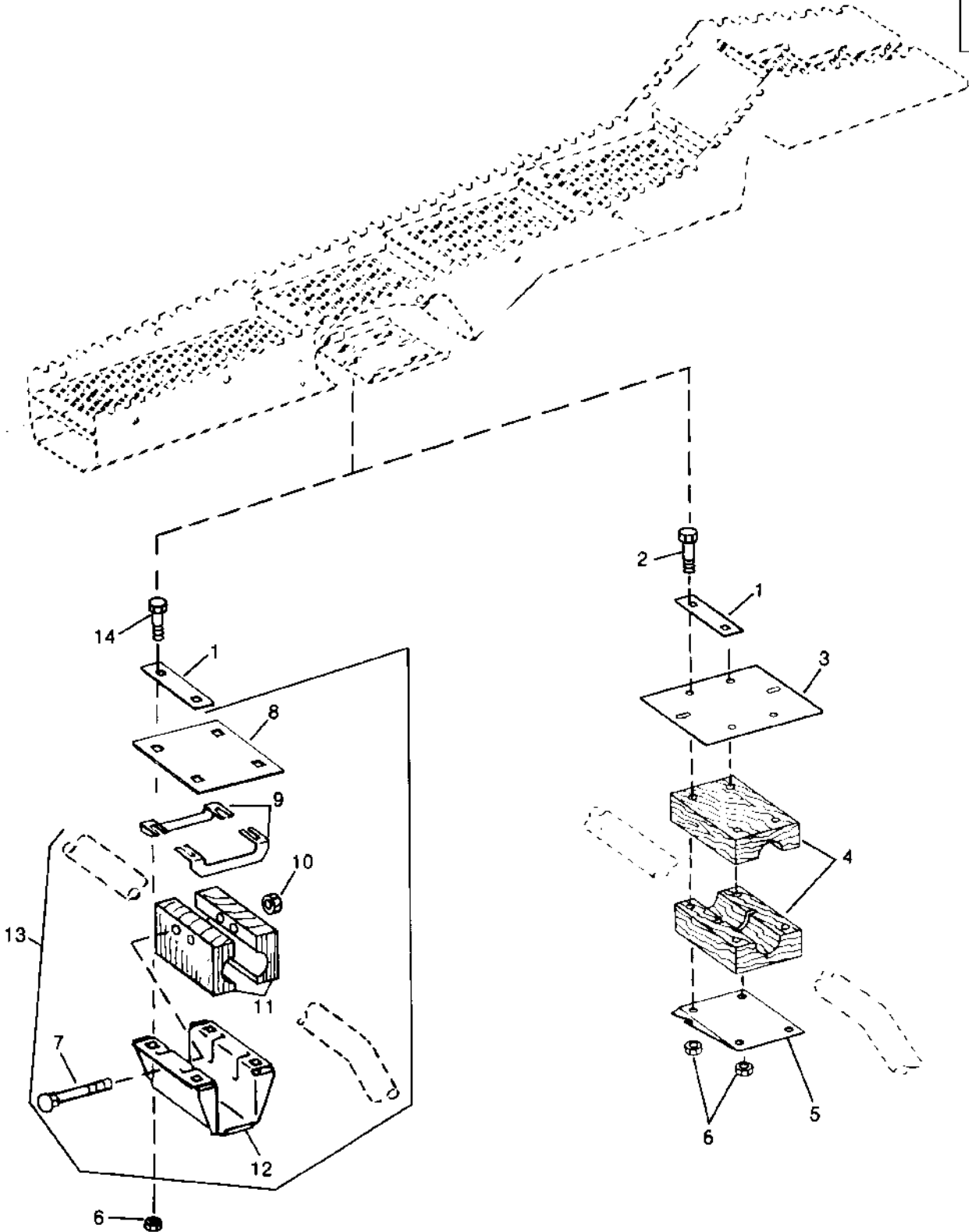
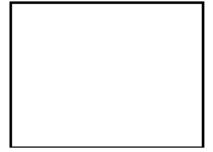
KEY	PART NO.	PART NAME	QTY	SERIAL NO.	REMARKS
1	AH128736	SEAL	2		(SUB AH162252) OUTSIDE WALKERS ONLY
	AH162252	SEAL	2		
2	H135225	STRIP	AR	-640100	(SUB H135923) BETWEEN WALKERS ONLY
	H135923	STRIP	AR		BETWEEN WALKERS ONLY
3	H131516	RISER	1		ONE PER WALKER EXCEPT R.H. OUTSIDE WALKER (GRAIN)
4	14M7303	FLANGE NUT	AR		M6
5	H131604	SEAL	1		OUTSIDE WALKERS ONLY
6	H131608	SEAL	1		OUTSIDE WALKERS ONLY
7	H131607	SEAL	1		OUTSIDE WALKERS ONLY
8	AH128531	STRAW WALKER	4	-635180	(SUB AH135381) LIP TYPE
	AH135381	STRAW WALKER	4		(ILLUSTRATED) LIP TYPE
	AH140435	STRAW WALKER	4	641501-	RECTANGULAR GRID
9	03M7251	BOLT	3		M6 X 12
10	03M7184	BOLT	2		M8 X 20
11	14M7298	FLANGE NUT	1		M8
12	H87268	BRACKET	2		LOSS MONITOR
13	H140414	DEFLECTOR	1	635205-	USE WITH CORN CHOPPER TO DEFLECT COBS
14	M84309	NUT	2		7.925 MM, (SUB FOR H131531) RETAINS M8 BOLTS BEFORE INSTALLING EXTENSION PAN
	14M7396	LOCK NUT	2		M8, TO ATTACH EXTENSION PAN OR COB DEFLECTOR
15	H128082	WASHER	AR	-636099	
	H143615	REINFORCEMENT	1	636100-	
16	H131661	PAN	1		
17	H140218	FLAP	4		FOR SUNFLOWERS
18	03M7184	BOLT	2		M8 X 20
19	03M7221	BOLT	AR		M6 X 16
20	H85233	RIVET	2		
21	24H1292	WASHER	AR		8.738 X 19.050 X 3.048 MM
22	H141883	RISER	AR		CENTER RISER
	H146639	RISER	AR		CENTER RISER, FOR RECTANGULAR GRID WALKER
23	19M7865	SCREW	1		TO ATTACH CENTER RISER

6E13

STRAW WALKER BEARINGS

(-650100)

HP6592 -UN-13DEC96



HP6592

6E14

THRESHING AND SEPARATION

STRAW WALKER BEARINGS - CONTINUED
(-650100)

KEY	PART NO.	PART NAME	QTY	SERIAL NO.	REMARKS
1	H139667	STRAP	16		
2	03M7333	BOLT	AR	-635180	M10 X 110
3	H140019	RETAINER	1	-635180	(SUB AH136572) ON REAR BEARINGS ONLY
4	H140070	BEARING	16	-635180	(SUB AH136572)
5	H140074	PLATE	2	-635180	(SUB AH136572)
6	14M7400	LOCK NUT	AR		M10, TWO PER BOLT
7	03M7267	BOLT	4	635181-	M8 X 80
8	H140678	PLATE	1	635181-	FRONT MOUNTING PAD ONLY
9	H141314	RETAINER	2	635181-	
10	14M7396	LOCK NUT	4	635181-	M8
11	H140677	BEARING	2	635181-	
12	H141313	COVER	1	635181-	
13	AH136572	BEARING	8	635181-	
14	03M7193	BOLT	4	635181-	M10 X 35, FRONT BEARINGS
	03M7192	BOLT	4	635181-	M10 X 30, REAR BEARINGS

6E15

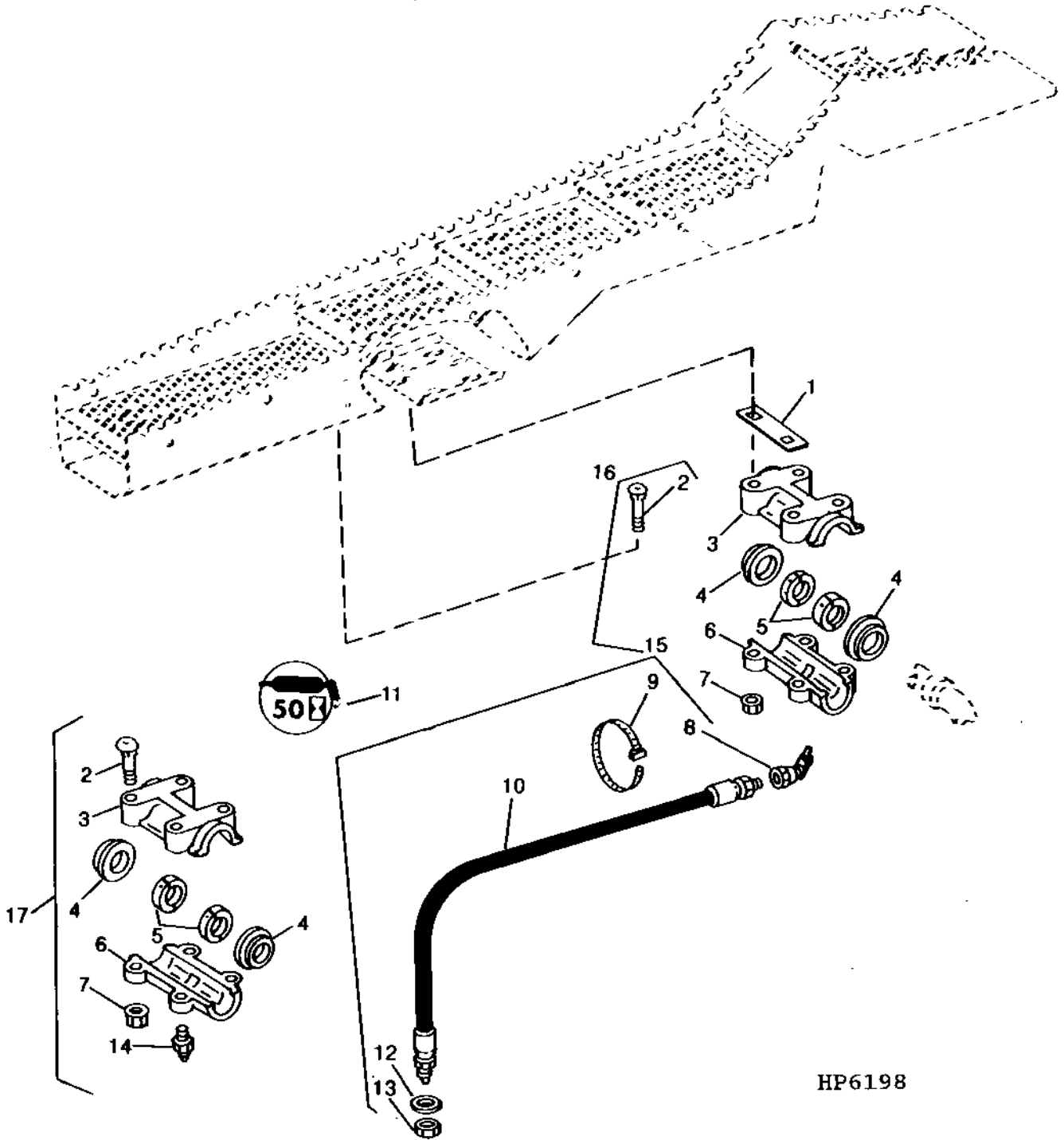
THRESHING AND SEPARATION

STRAW WALKER BEARING KIT

(650101-665100)

HP6198

-UN-25SEP95



6E16

THRESHING AND SEPARATION

STRAW WALKER BEARING KIT - CONTINUED (650101-665100)

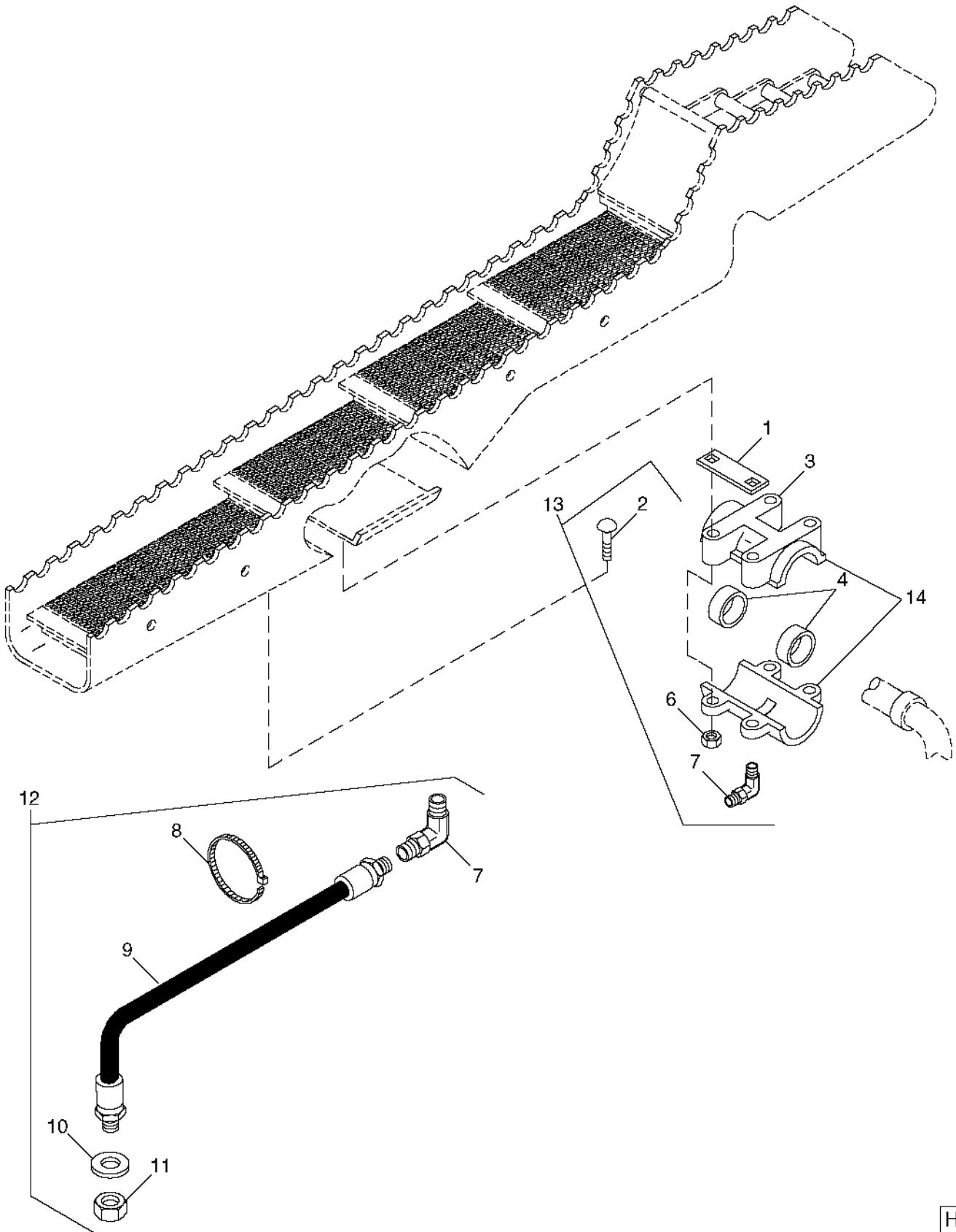
KEY	PART NO.	PART NAME	QTY	SERIAL NO.	REMARKS
1	H139667	STRAP	2		
2	03M7359	BOLT	4		M10 X 85
3	H150717	BEARING	1	660101-	(SUB FOR H147747) UPPER
4	H151597	SEAL	2	660101-	RUBBER
5	AH141393	LOCKING COLLAR	2		CRANKSHAFT (8 PER CRANK)
6	H150716	BEARING	1	660101-	(SUB FOR H147748) LOWER
7	14M7465	LOCK NUT	4		M10
8	AH145706	FITTING	1	660101-	45 DEGREE SWIVEL, (SUB FOR AH144815)
9	R44302	TIE BAND	10		171 MM (6-3/4")
10	AH144816	HOSE	1		LUBRICATION (FRONT BEARING)
11	H152602	DECAL	1	660101-	(SUB FOR H109845) 50 HOUR LUBRICATION
12	24H1307	WASHER	1		10.312 X 25.400 X 1.600 MM
13	E12379	NUT	1		3.175 MM 3.175 MM (1/8")
14	JD7759	LUBRICATION FITTING	1		STRAIGHT, REAR BEARING ONLY
15	AH145262	KIT	1	650101-660100	(SUB AH145935) LUBE HOSE (FRONT BEARING) USE ON COMBINES WITH OLD CRANKSHAFT PRIOR TO 1993
	AH145935	KIT	1		LUBE HOSE (FRONT BEARING) (ILLUSTRATED)
16	AH145263	KIT	1	650101-660100	(SUB AH145687) FRONT BEARING AND HOSE, USE ON COMBINES WITH OLD CRANKSHAFT PRIOR TO 1993
	AH145687	KIT	1		FRONT BEARING AND HOSE (ILLUSTRATED)
17	AH141819	BEARING	1	650101-660100	(SUB AH145686) REAR KIT, USE ON COMBINES WITH OLD CRANKSHAFT PRIOR TO 1993
	AH145686	BEARING	1		REAR KIT (ILLUSTRATED)

6E17

THRESHING AND SEPARATION

STRAW WALKER BEARING KIT

(665101-)
HP9645 -UN-27MAR00



HP9645

6E18

THRESHING AND SEPARATION

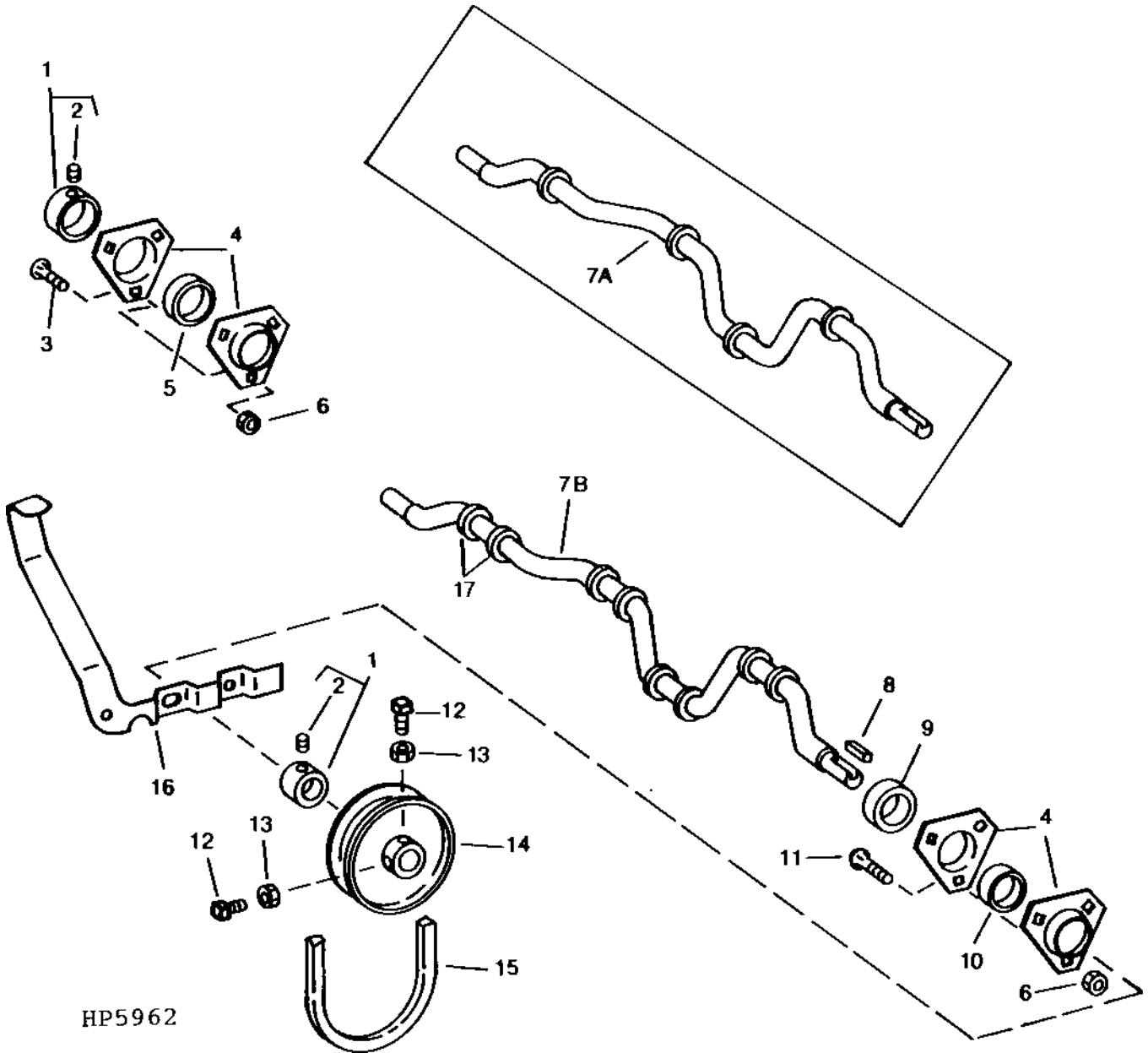
STRAW WALKER BEARING KIT - CONTINUED
(665101-)

KEY	PART NO.	PART NAME	QTY	SERIAL NO.	REMARKS
1	H139667	STRAP	2		
2	03M7359	BOLT	4		M10 X 85
3	H152464	BEARING	1		(SUB AH168158) (USE WITH H152465) UPPER
4	H154216	SEAL	2		
5	H152465	BEARING	1	-665257	(SUB AH168158) (USE WITH H152464) LOWER
6	14M7400	LOCK NUT	4		M10
7	AH145706	FITTING	1	-665257	45 DEGREE SWIVEL (ILLUSTRATED) (FOR FRONT BEARING ONLY)
	JD7759	LUBRICATION FITTING	1	-665257	STRAIGHT (FOR REAR BEARING ONLY)
	AN71222	ADAPTER	1	665258-	STRAIGHT
8	R44302	TIE BAND	10		171 MM (6-3/4")
9	AH144816	HOSE	1		LUBRICATION (FRONT BEARING)
10	24H1307	WASHER	1		10.312 X 25.400 X 1.600 MM
11	E12379	NUT	1		3.175 MM 3.175 MM (1/8")
12	AH145935	KIT	1	-670196	LUBE HOSE (FRONT BEARING ILLUSTRATED)
13	AH147743	KIT	1	-665257	
14	AH168158	BEARING	1		

6E19

THRESHING AND SEPARATION

STRAW WALKER CRANKS, STRAW SPREADER DRIVE AND SHIELD
HP5962 -UN-27APR95



HP5962

6E20

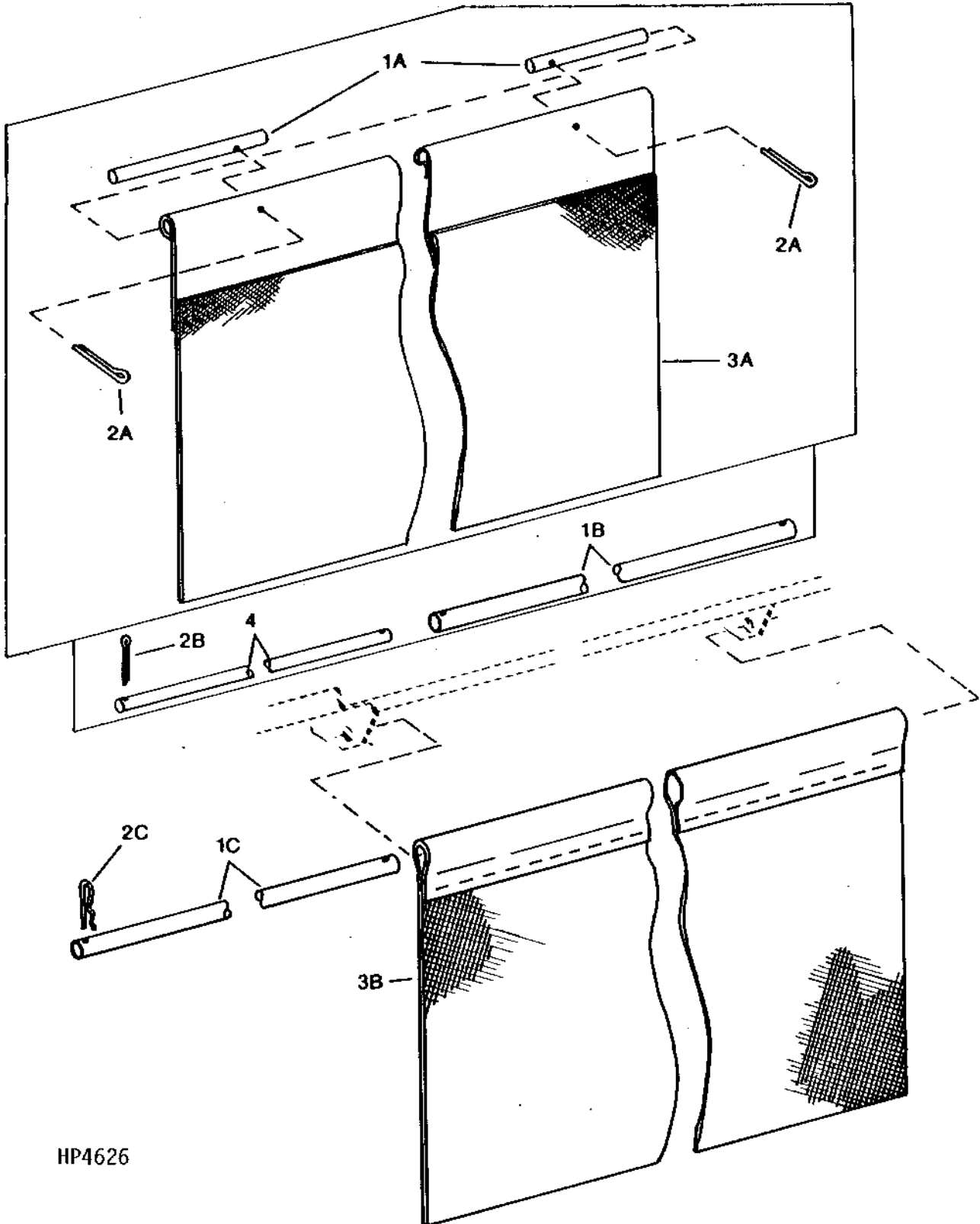
THRESHING AND SEPARATION

STRAW WALKER CRANKS, STRAW SPREADER DRIVE AND SHIELD - CONTINUED

KEY	PART NO.	PART NAME	QTY	SERIAL NO.	REMARKS
1	AH133191	ECCENTRIC LOCKING COLLAR	3		L.H. ON FRONT CRANK AND BOTH ON REAR CRANK
2	22M7081	SET SCREW	3		M10 X 10
3	03M7191	BOLT	12		M10 X 25
4	H103265	PRESSED FLANGED HOUSING	8		
5	AZ19427	BALL BEARING	1		FRONT L.H. ONLY
6	14M7296	FLANGE NUT	6		M10
7A	AH131348	SHAFT	1	-650239	(SUB AH139916) (ALSO REQUIRES (4) H150717, (4) H150716, (4) AH145687 OR (4) AH145935, (16) 03M7259 AND (16) 14M7465); FRONT CRANK ONLY
	AH131350	SHAFT	1	-650100	(SUB AH139918) (ALSO REQUIRES (4) AH145686 OR (4) H150717, (4) H150716, (4) JD7759, (16) 03M7359 AND (16) 14M7465); REAR CRANK ONLY
7B	AH139916	SHAFT	1	-660100	(SUB AH145603)
	AH145603	SHAFT	1	-665534	(SUB AH151332, H155973 AND N134803) FRONT CRANK ONLY (HEAT TREATED)
	AH139918	SHAFT	1	-660100	(SUB AH145604)
	AH145604	SHAFT	1		REAR CRANK ONLY (HEAT TREATED)
	AH151332	CRANKSHAFT	1	665535-	FRONT CRANK ONLY (HEAT TREATED)
8	H138344	SHAFT KEY	1		
9	H135519	SPACER	1		FRONT R.H. ONLY
10	AH132823	BALL BEARING	1		FRONT R.H. ONLY
	JD39104	BALL BEARING	2		REAR CRANK ONLY
11	03M7190	BOLT	1		M10 X 20
12	H138435	SET SCREW	2		
13	14M7274	NUT	2		M10
14	AH114359	SHEAVE	1		STRAW SPREADER DRIVE (L.H. REAR) (I D 1.370)
15	Z33774	BELT	1		STRAW SPREADER DRIVE
16	H140020	GUIDE	1		
17	AH141393	LOCKING COLLAR	8		

6E21

SEPARATOR CURTAIN
(RASP BAR CYLINDER)
HP4626 -UN-01JAN94



HP4626

6E22

THRESHING AND SEPARATION

SEPARATOR CURTAIN - CONTINUED
(RASP BAR CYLINDER)

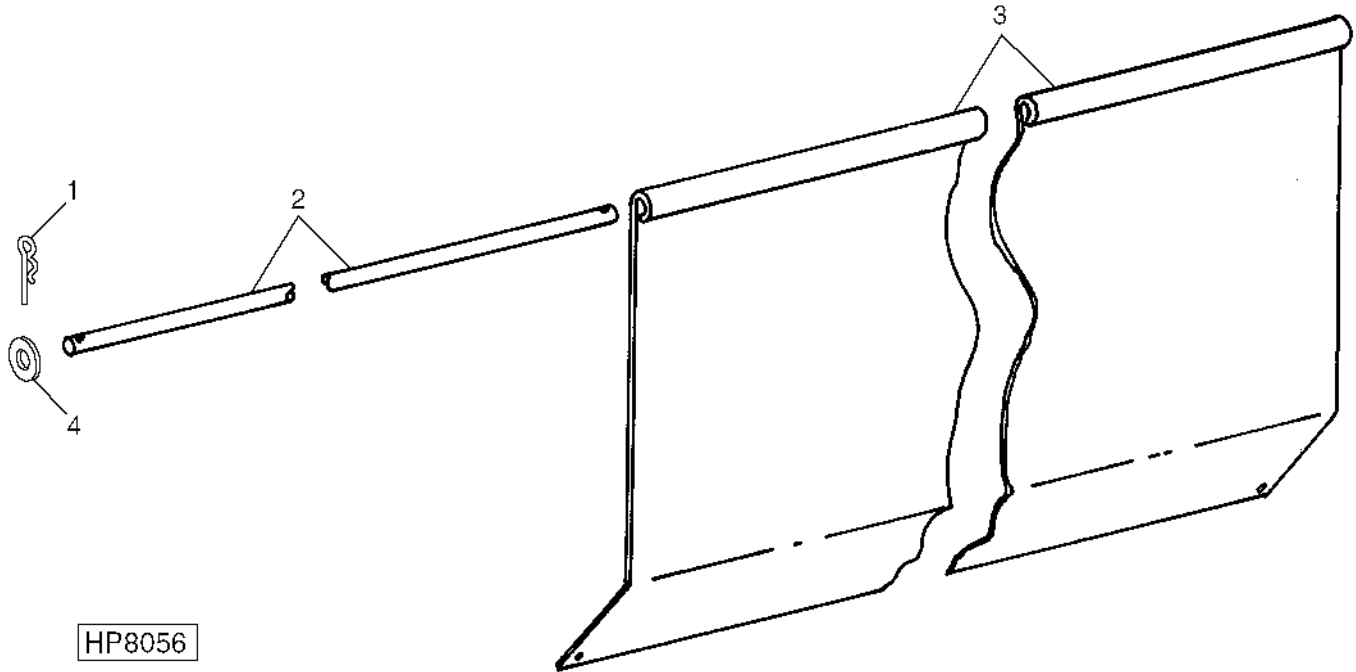
KEY	PART NO.	PART NAME	QTY	SERIAL NO.	REMARKS
1A	H131865	PIN	2	-640100	(SUB H145880)
1B	H145880	PIPE	1	-640100	
1C	H144825	PIPE	1	640101-670100	
	H158973	TUBE	1	670101-670227	
	H144825	PIPE	1	670228-	
2A	11M7059	COTTER PIN	2	-640100	3.200 X 20 MM
2B	11H211	COTTER PIN	2	640101-650100	1/8" X 3/4", (SUB 11M1383)
	11M1383	COTTER PIN	2		3.200 X 20 MM
2C	A15147	SPRING LOCKING PIN	2	640101-	
3A	AH125391	LIMIT CURTAIN	1	-640100	(SUB H144823 AND H145880 AND H76863 AND (2) 11M1383)
3B	H144823	LIMIT CURTAIN	1	640101-	
4	H76863	PIN	2	-640100	

6E23

THRESHING AND SEPARATION

**SEPARATOR CURTAIN
(SPIKE-TOOTH CYLINDER)**

HP8056 -UN-30NOV98



HP8056

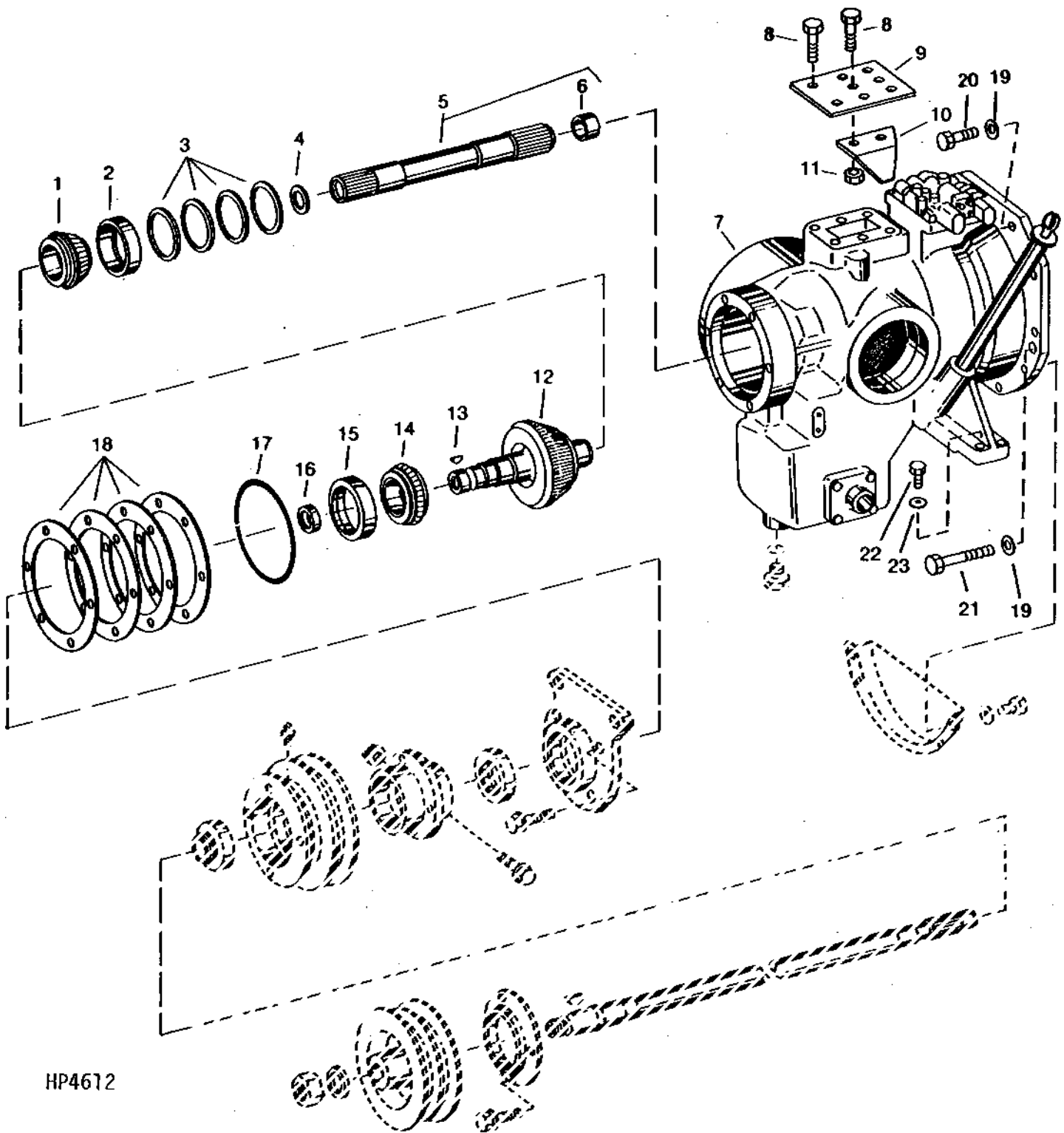
KEY	PART NO.	PART NAME	QTY	SERIAL NO.	REMARKS
1	A15147	SPRING LOCKING PIN	2		
2	H76863	PIN	1	9.525 X 1 426.464 MM	
3	H145516	DEFLECTOR	1	STEEL (FOR GRAIN COMBINES)	
4	T20217	WASHER	2		

MEMORANDA

6F4

DRIVES

ENGINE GEARCASE
(STRAW CHOPPER, UNLOADING AND SEPARATOR DRIVE GEAR)
HP4612 -UN-01JAN94



HP4612

6F5

DRIVES

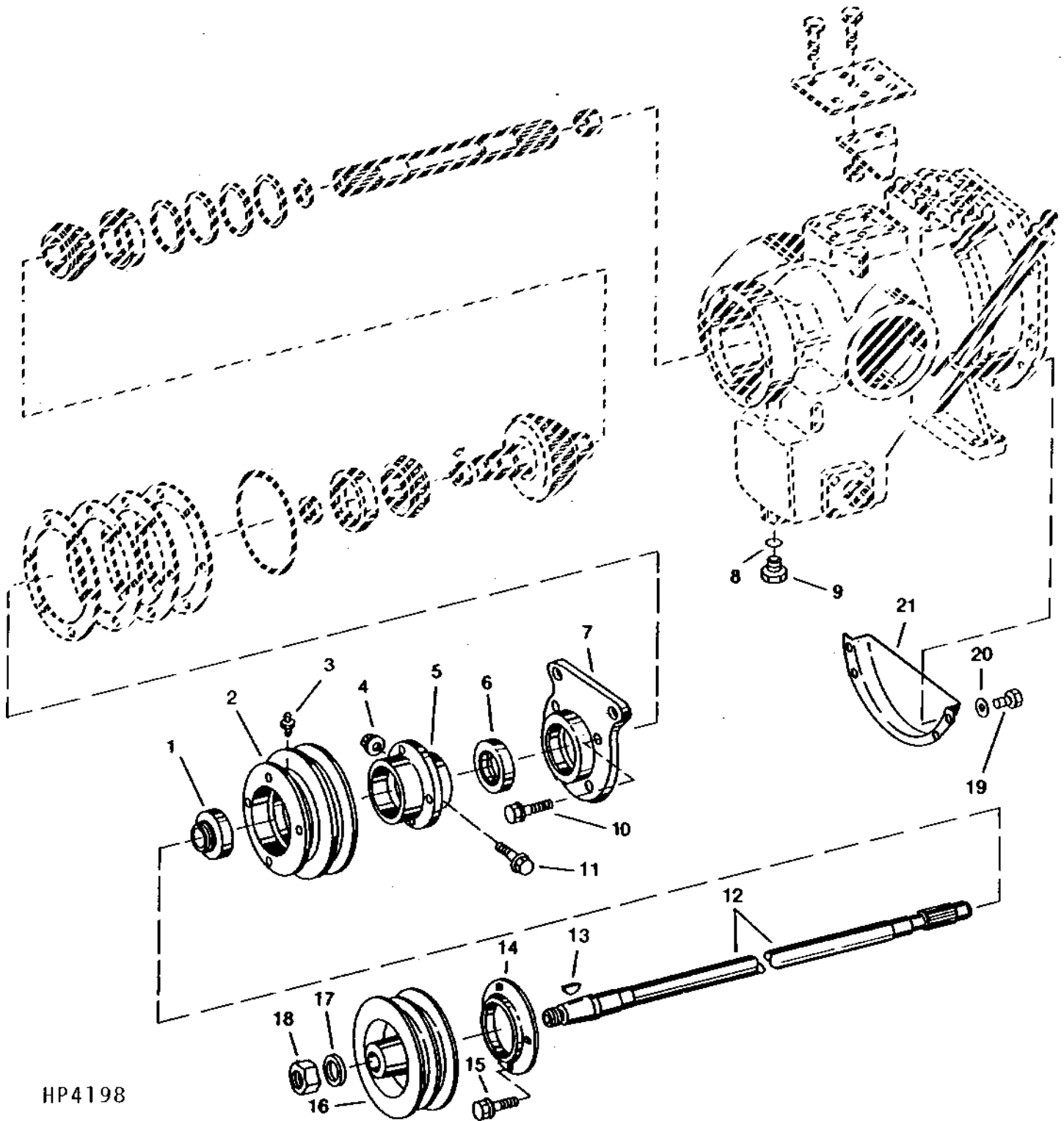
**ENGINE GEARCASE - CONTINUED
(STRAW CHOPPER, UNLOADING AND SEPARATOR DRIVE GEAR)**

KEY	PART NO.	PART NAME	QTY	SERIAL NO.	REMARKS
1	JD9091	BEARING CONE	1		
2	JD9146	BEARING CUP	1		
3	L29041	SHIM	AR		0.08 (MM) .003 STEEL
	L29042	SHIM	AR		0.13 (MM) .005 STEEL
	L29043	SHIM	AR		0.25 (MM) .010 STEEL
	L29044	SHIM	AR		0.05 (MM) .020 STEEL
4	P46770	SNAP RING	1		
5	AH120978	SHAFT	1	-640407	(SUB AH139118)
	AH139118	SHAFT	1		
6	R43305	BUSHING	1		
7	H126587	GEAR CASE	1		
8	19M7866	SCREW	8		M8 X 20
9	H127159	COVER	1		USE TY15130
10	H130140	TROUGH	1		
11	14M7396	LOCK NUT	2		M8
12	BEVEL GEAR DRIVE	1		34 TEETH- SERVICE WITH AH121216 (USED WITH 6359 ENGINE)
	BEVEL GEAR DRIVE	1		37 TEETH- SERVICE WITH AH125207 (USED WITH 6068 ENGINE)
13	26H105	SHAFT KEY	1		3/8" X 2-1/8"
14	JD37285	RING	1		(SUB FOR JD8162)
15	JD8206	BEARING CUP	1		
16	AT28975	SEAL	1		
17	H125838	O-RING	1		
18	H125740	SHIM	AR		0.08 (MM) .003 PLASTIC
	H125741	SHIM	AR		0.13 (MM) .005 STEEL
	H125742	SHIM	AR		0.25 (MM) .010 STEEL
	H125743	SHIM	AR		0.50 (MM) .020 STEEL
19	24M7242	WASHER	4		21.400 X 42 X 5 MM
20	19H1782	CAP SCREW	2		3/4" X 2-1/4"
21	19H2000	CAP SCREW	2		3/4" X 5"
22	19M8162	CAP SCREW	4		M10 X 40
23	14M7296	FLANGE NUT	4		M10
..	TY15130	SEALANT	1		SIZE- 3 OZ. RTV (CANADA PART NO TY9484)
..	AH121216	BEVEL GEAR	1	-640100	34 AMD 56 TEETH(USED WITH 6359 ENGINE)
..	AH125207	BEVEL GEAR	1	640101-	37 AND 56 TEETH(USED WITH 6068 ENGINE)
..	AH134862	GEAR CASE	1	-640100	(USED WITH 6359 ENGINE) LESS DIPSTICK
..	AH139321	GEAR CASE	1		(SUB FOR AH134861) (USED WITH 6068 ENGINE)-LESS DIPSTICK

6F6

DRIVES

ENGINE GEARCASE
(STRAW CHOPPER, UNLOADING AND SEPARATOR DRIVE GEAR)
HP4198 -UN-01JAN94



HP4198

6F7

DRIVES

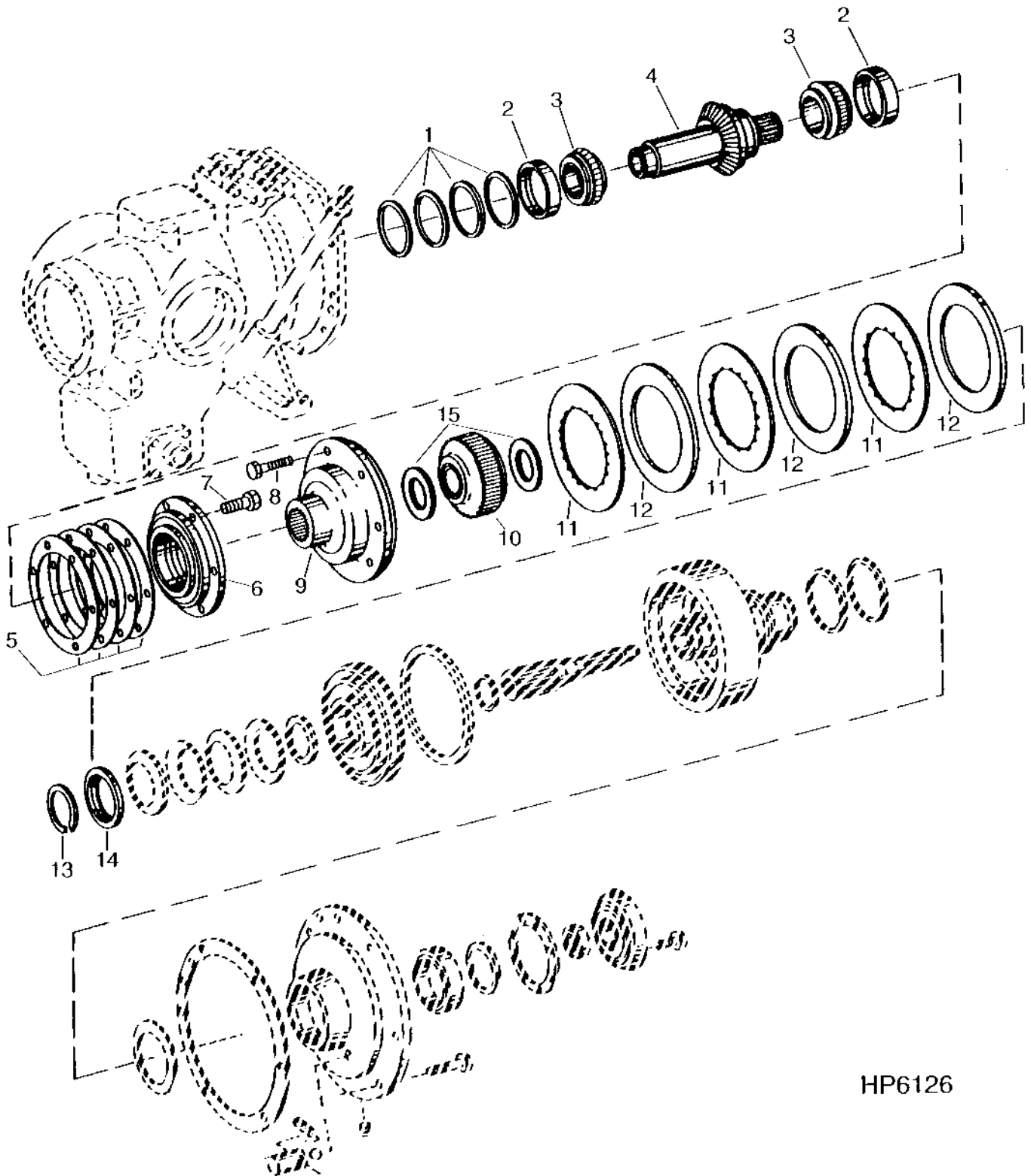
**ENGINE GEARCASE - CONTINUED
STRAW CHOPPER, UNLOADING AND SEPARATOR DRIVE GEAR)**

KEY	PART NO.	PART NAME	QTY	SERIAL NO.	REMARKS
1	AH108813	BALL BEARING	1	-670227	
	AH151653	BALL BEARING	1	670228-	
2	H132390	SHEAVE	1	-636099	(SUB H143430)
	H143430	SHEAVE	1		
3	JD7797	LUBRICATION FITTING	1		
4	14M7296	FLANGE NUT	2	M10	
5	H101878	HUB	1		
6	AH117643	SEAL	1		
7	H125739	HOUSING	1		(SUB H144834) NO LONGER SERVICE
	H144834	HOUSING	1		
8	R26906	O-RING	1		
9	R27474	DRAIN PLUG	1		
10	19M7835	SCREW	6	M10 X 35	
11	19M7812	SCREW	2	M10 X 100	
12	H129934	SHAFT	1		
13	26M6787	SHAFT KEY	1	10 X 32 MM	
14	H75385	PRESSED FLANGED HOUSING	1		
15	19M8306	SCREW	4	M12 X 50	
16	H129935	SHEAVE	1		
17	24H1481	WASHER	1	1-5/32" X 2" X 0.134"	
18	H82619	LOCK NUT	1		
19	19M7866	SCREW	1	M8 X 20	
20	24M7055	WASHER	4	8.400 X 16 X 1.600 MM	
21	H134385	COVER	1		
..	TY15130	SEALANT	1	SIZE - 3 OZ. RTV (CANADA PART NO. TY9484)	
..	AH121216	BEVEL GEAR	1	34 AND 56 TEETH	
..	AH134862	GEAR CASE	1	(USED WITH 6359 ENGINE) - LESS DIPSTICK	
..	AH139321	GEAR CASE	1	(SUB FOR AH134861) (USED WITH 6068 ENGINE)	

6F8

DRIVES

ENGINE GEARCASE
(SEPARATOR DRIVE, WET-CLUTCH AND PUMP DRIVE SHAFT)
HP6126 -UN-25AUG95



HP6126

6F9

DRIVES

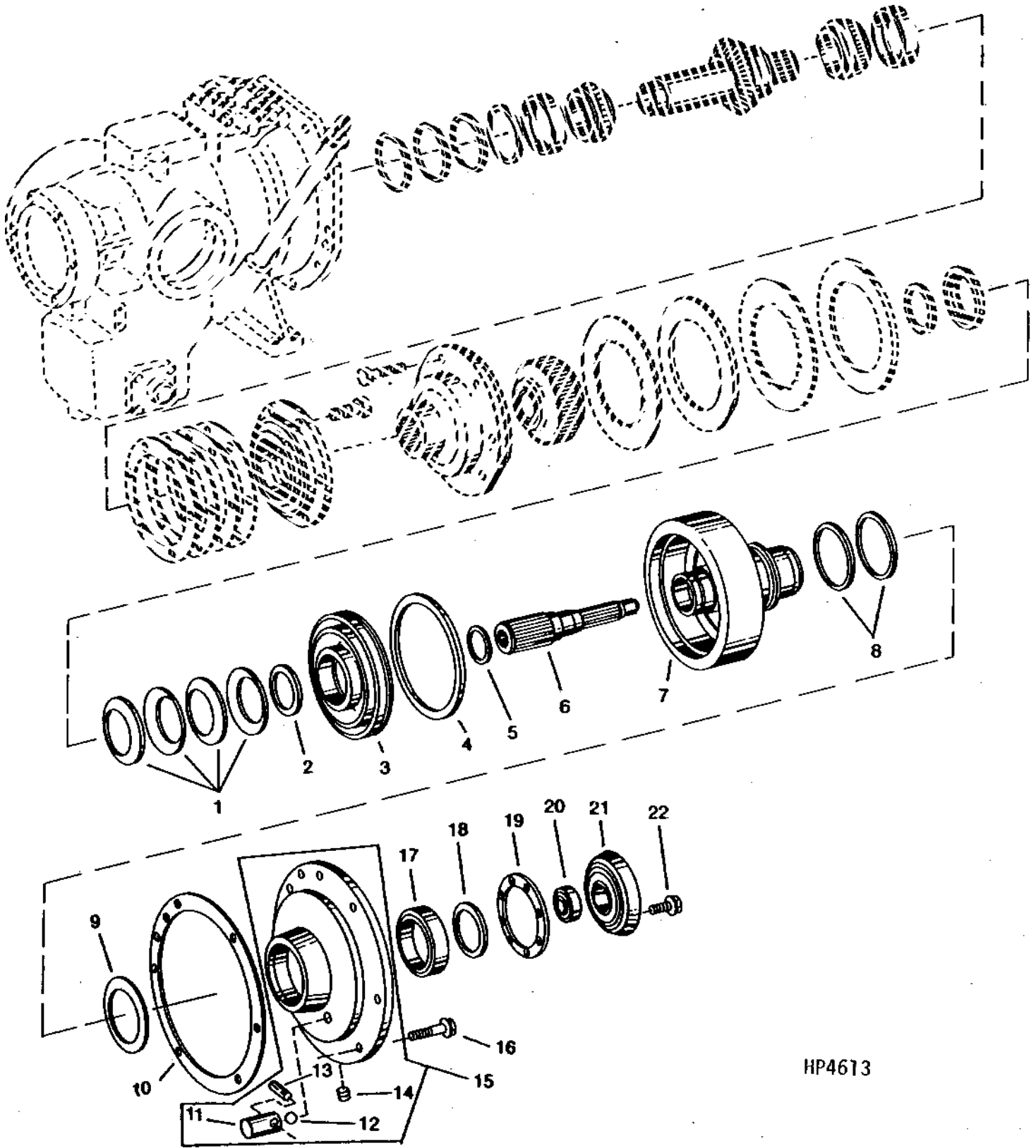
**ENGINE GEARCASE - CONTINUED
(SEPARATOR DRIVE, WET-CLUTCH AND PUMP DRIVE SHAFT)**

KEY	PART NO.	PART NAME	QTY	SERIAL NO.	REMARKS
1	H119028	SHIM	AR		0.08 (MM) .003 PLASTIC
	H119029	SHIM	AR		0.13 (MM) .005 STEEL
	H119030	SHIM	AR		0.25 (MM) .010 STEEL
	H119031	SHIM	AR		0.50 (MM) .020 STEEL
2	JD8206	BEARING CUP	2		
3	JD37285	RING	2		(SUB FOR JD8162)
4	GEAR	1	-640100	33 TEETH- SERVICE IN AH120206 (USED WITH 6359 ENGINE)
	GEAR	1	640101-	33 TEETH- SERVICE IN AH125293 (USED WITH 6068 ENGINE)
5	H125740	SHIM	AR		0.08 (MM) .003 PLASTIC
	H125741	SHIM	AR		0.13 (MM) .005 STEEL
	H125742	SHIM	AR		0.25 (MM) .010 STEEL
	H125743	SHIM	AR		0.50 (MM) .020 STEEL
6	H125733	HOUSING	1		
7	19M7835	SCREW	6		M10 X 35
8	19M7786	SCREW	6		M10 X 30
9	H125357	HUB	1	-645603	
	H144761	HUB	1	645604-	(USE WITH 2 CLUTCH DISK)
	H144762	HUB	1	660488-	(USE WITH 3 CLUTCH DISK)
10	AH120738	HUB	1	-640816	(SUB AH138660)
	AH138660	HUB	1		
11	AH125490	CLUTCH DISK	2	-660487	
	AH125490	CLUTCH DISK	3	660488-	
12	T70309	PLATE	2	-660487	
	T70309	PLATE	3	660488-	
13	T50409	SNAP RING	1		
14	T49676	RETAINER	1		
15	R76674	WASHER	2		71.374 X 85.090 X 1.575 MM (2.810" X 3.350" X 1/16")

6F10

DRIVES

ENGINE GEARCASE
HP4613 -UN-01JAN94



HP4613

6F11

DRIVES

ENGINE GEARCASE - CONTINUED

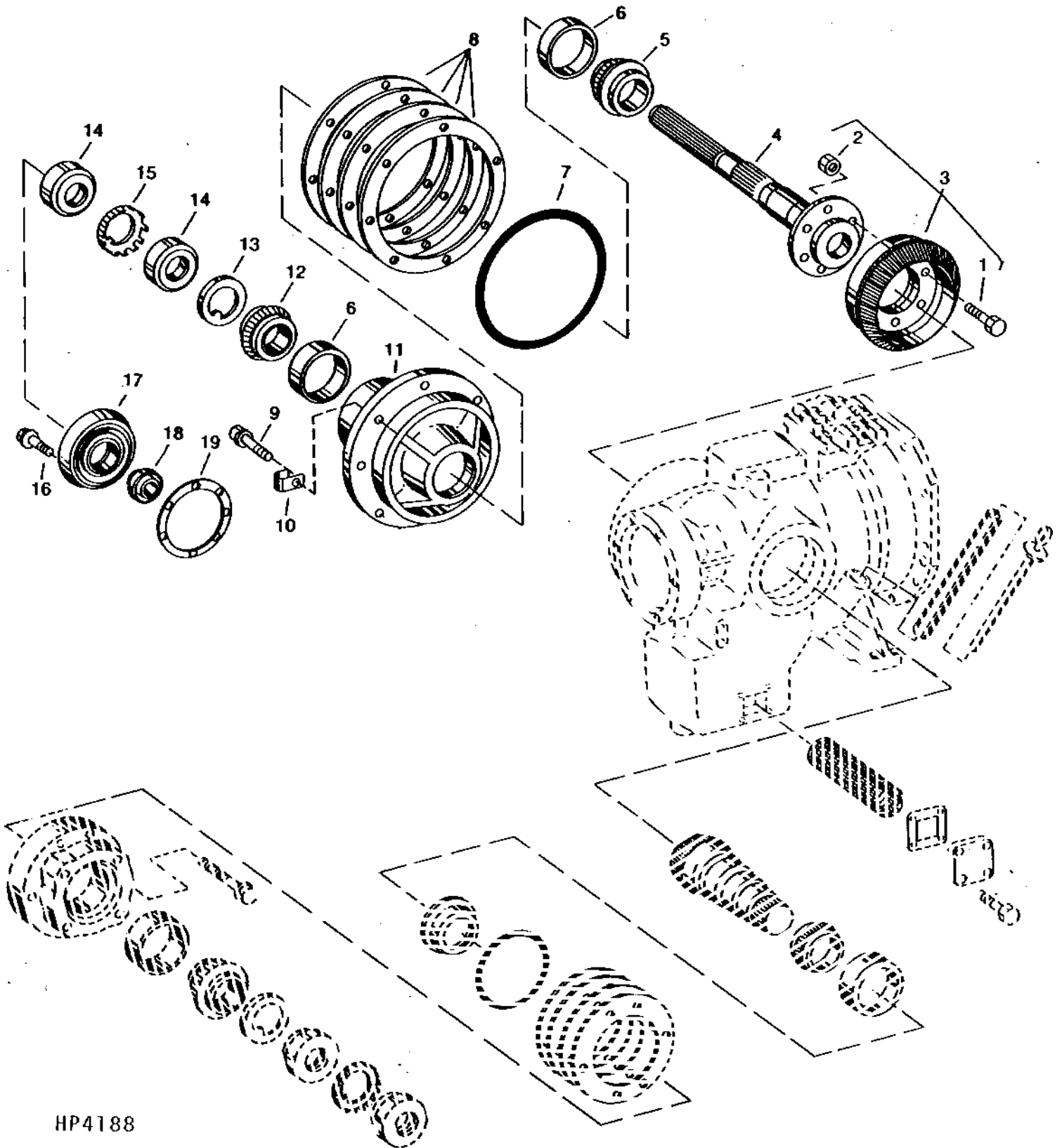
KEY	PART NO.	PART NAME	QTY	SERIAL NO.	REMARKS
1	T50415	DISK SPRING	4		
2	T62508	WASHER	1		
3	H128937	PISTON	1		
4	T62509	WASHER	1		
5	H132400	PISTON RING	1		
6	H125351	SHAFT	1	-645700	(SUB H148768)
	H148768	SHAFT	1		
7	H125352	DRUM	1		(SUB H143426 AND T14323)
	H143426	DRUM	1		GEARBOX S/N CEGB 111861 - AND UP REQS T14323 SNAP RING
	H144759	DRUM	1	640604-	
8	R77764	RING	2		
9	R76937	WASHER	1		
10	H125354	GASKET	1		
11	R68824	SEAT	1		
12	400R	BALL	1		
13	H111474	PIN	1		
14	15H559	PIPE PLUG	1		USE TY9374
15	AH120737	HOUSING	1		INCLUDES KEYS 11 THROUGH 14
16	19M7835	SCREW	6		M10 X 35
17	JD8676	BALL BEARING	1		
18	A1402R	SNAP RING	1		UP TO GEARBOX S/N - CEGB 100000 TO 111860
	T14323	SNAP RING	1		GEARBOX S/N CEGB 111861 - AND UP
19	H125356	GASKET	1		
20	AT48334	SEAL	1	-650317	(SUB AH142870)
	AH142870	SEAL	1		
21	H125355	HOUSING	1	-645700	(SUB H148769)
	H148769	HOUSING	1		
22	19M7863	SCREW	8		M6 X 25
..	TY9374	SEALANT	1		SIZE- 6 ML
..	AH134862	GEAR CASE	1		(USED WITH 6359 ENGINE) - LESS DIPSTICK
..	AH139321	GEAR CASE	1		(SUB FOR AH134864) (USED WITH 6068 ENGINE)
..	AH125293	GEAR	1	640101-	

6F12

DRIVES

ENGINE GEARCASE (SEPARATOR AND PUMP DRIVE)

HP4188 -UN-01JAN94



HP4188

6F13

DRIVES

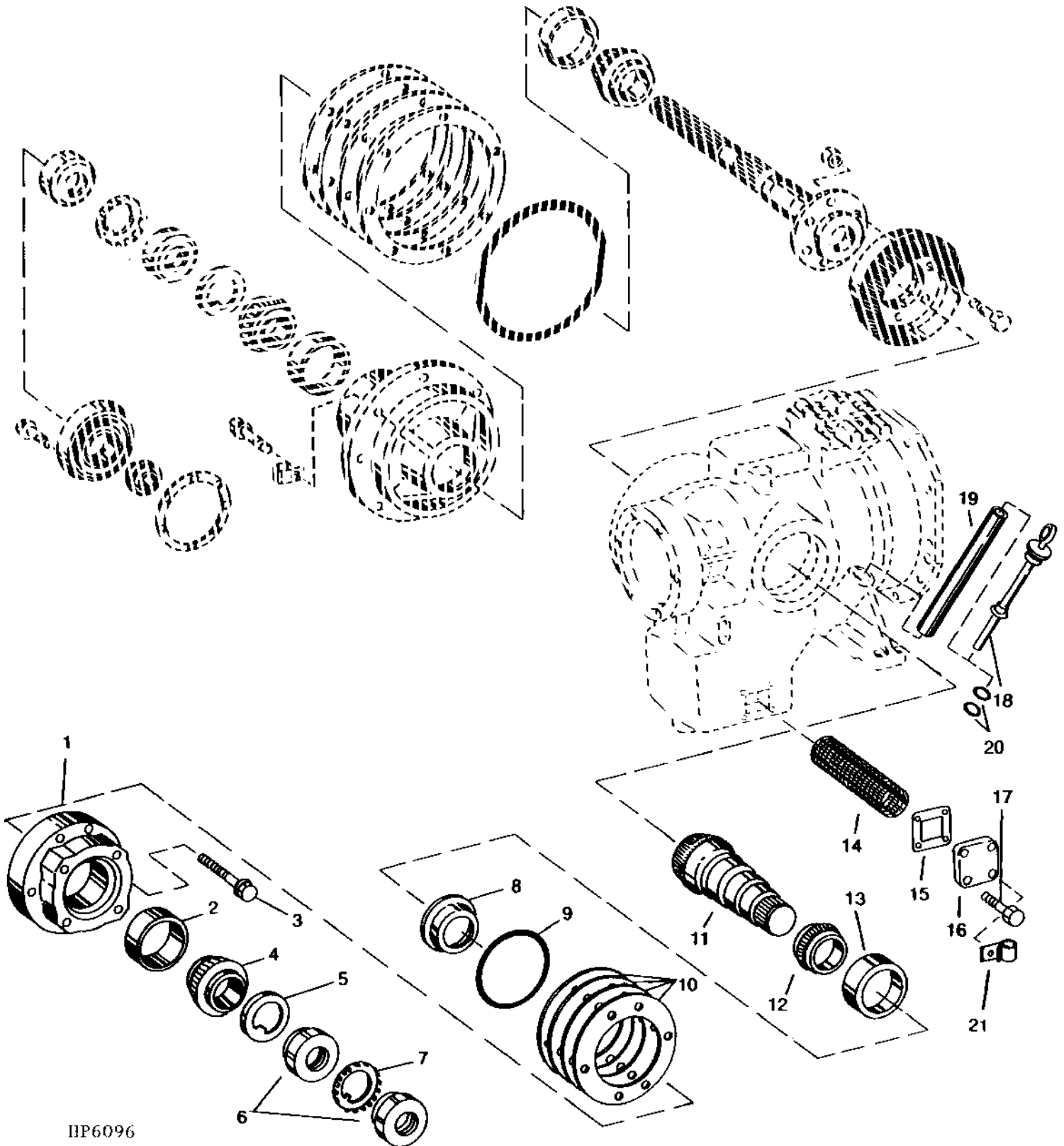
**ENGINE GEARCASE - CONTINUED
(SEPARATOR AND PUMP DRIVE)**

KEY	PART NO.	PART NAME	QTY	SERIAL NO.	REMARKS
1	H110178	SCREW	6		USE TY9371
2	14M7274	NUT	6		M10
3	GEAR	1	-640100	56 TEETH, USED WITH 6359 ENGINE, (ORDER AH121216)
	GEAR	1	640101-	56 TEETH, USED WITH 6068 ENGINE) (ORDER AH125207)
4	H126069	HUB	1	-645700	(SUB H148770)
	H148770	HUB	1		
5	JD8162	BEARING CONE	1		
6	JD8206	BEARING CUP	2		
7	H125839	O-RING	1		
8	H125841	SHIM	AR		0.08 (MM) .003 PLASTIC
	H125842	SHIM	AR		0.13 (MM) .005 STEEL
	H125843	SHIM	AR		0.25 (MM) .010 STEEL
	H125844	SHIM	AR		0.50 (MM) .020 STEEL
9	19M7835	SCREW	7		M10 X 35
10	AH89486	CLIP	1	-660377	(SUB AH96317)
	AH96317	CLIP	1	-665100	
	AH90990	CLIP	1	665101-	
11	H125840	HOUSING	1		
12	JD9007	BEARING CONE	1		
13	H110800	LOCK WASHER	1		
14	H122650	LOCK NUT	2		
15	H110801	LOCK WASHER	1		
16	19M7863	SCREW	8		M6 X 25
17	H125355	HOUSING	1		(SUB H148769)
18	AT48334	SEAL	1	-650317	(SUB AH142870)
	AH142870	SEAL	1		
19	H125356	GASKET	1		
20	AH117301	CLAMP	1	29SEP7-	

6F14

DRIVES

ENGINE GEARCASE
(SEPARATOR AND PUMP DRIVE)
HP6096 -UN-28JUN95



HP6096

6F15

DRIVES

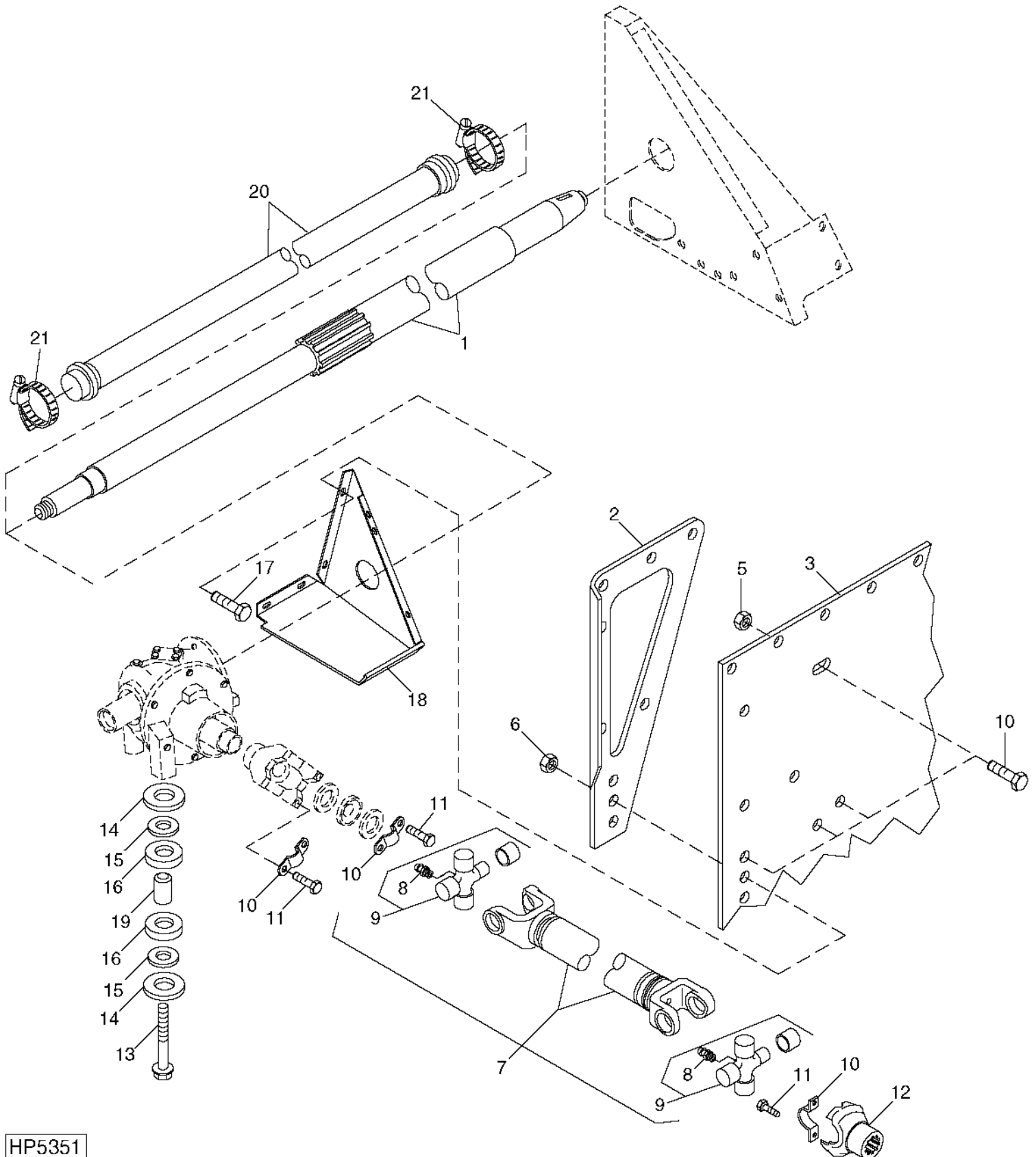
**ENGINE GEARCASE - CONTINUED
(SEPARATOR AND PUMP DRIVE)**

KEY	PART NO.	PART NAME	QTY	SERIAL NO.	REMARKS
1	H125738	HOUSING	1		
2	JD8206	BEARING CUP	1		
3	19M7805	SCREW	5	M10 X 45	
4	JD9007	BEARING CONE	1		
5	H110800	LOCK WASHER	1		
6	H122650	LOCK NUT	2		
7	H110801	LOCK WASHER	1		
8	H125837	OIL CUP	1		
9	R72032	O-RING	1		
10	H125734	SHIM	AR	0.08 (MM) .003 PLASTIC	
	H125735	SHIM	AR	0.13 (MM) .005 STEEL	
	H125736	SHIM	AR	0.25 (MM) .010 STEEL	
	H125737	SHIM	AR	0.50 (MM) .020 STEEL	
11	GEAR	1		24 TEETH, FOR 6359 ENGINE (ORDER AH120206) AND FOR 6068 ENGINE (ORDER AH125293)
	GEAR	1		24 TEETH USED WITH 414 ENGINE (ORDER AH125293)
12	JD9075	BEARING CONE	1		
13	JD9132	BEARING CUP	1		
14	R53169	SCREEN	1		
15	H126792	GASKET	1		
16	H126793	COVER	1		
17	19M7868	SCREW	4	M8 X 30	
18	AH137310	DIPSTICK	1		(SUB FOR AH123913) (SUB AH168683)
	AH168683	DIPSTICK	1		
19	H132995	TUBE	1		USE TY9371
20	A4730R	O-RING	2		
21	AH90990	CLIP	1	665101-	
..	TY9371	ADHESIVE	1		6 ML HIGH STRENGTH
..	AH121216	BEVEL GEAR	1		
..	AH125295	GEAR	1		(SUB FOR AH120206)
..	AH134862	GEAR CASE	1		USED WITH 6359 ENGINE - LESS DIPSTICK

6F16

DRIVES

DRIVE SHAFT, GEARCASE MOUNTING AND PRIMARY COUNTERSHAFT
HP5351 -UN-17AUG99



HP5351

6F17

DRIVES

DRIVE SHAFT, GEARCASE MOUNTING AND PRIMARY COUNTERSHAFT - CONTINUED

KEY	PART NO.	PART NAME	QTY	SERIAL NO.	REMARKS
1	H127189	JACKSHAFT	1	-645668	(SUB H147483)
	H147483	SHAFT	1		
2	H131228	ANGLE	1		
3	H130903	SHEET	1	-640100	
	H143385	SHEET	1	640101-645468	(SUB H145530)
	H145530	SHEET	1	645469-650100	(SUB H147911)
	H147911	SHEET	1		
4	19M7866	SCREW	4		M8 X 20
5	14M7298	FLANGE NUT	4		M8
6	14M7296	FLANGE NUT	5		M10
7	AH125688	DRIVE SHAFT	1		
8	JD7797	LUBRICATION FITTING	2		
9	AH122018	UNIVERSAL JOINT	2		
10	R85168	CLAMP	4		
11	R85169	SELF-LOCKING SCREW	8		
12	H121681	YOKE	1		
13	19M7827	SCREW	2		M16 X 80
14	P50456	WASHER	4		
15	H80197	BUSHING	4		(SUB H148132)
	H148132	BUSHING	4		
16	H78856	RETAINER	4	-650367	(SUB H148133)
	H148133	RETAINER	4		
17	19M7785	SCREW	5		M10 X 25
18	AH126276	SHEET	1	-631400	(SUB AH135565)
	AH135565	SHEET	1		
19	H85482	BUSHING	2	-650367	(SUB H148134)
	H148134	SPACER	2		
20	AH163802	KIT	1		(SUB FOR AH141389) INCLUDES (2) TY22494 CLAMPS
21	AR60499	CLAMP	2	-660340	
	TY22494	HOSE CLAMP	2		

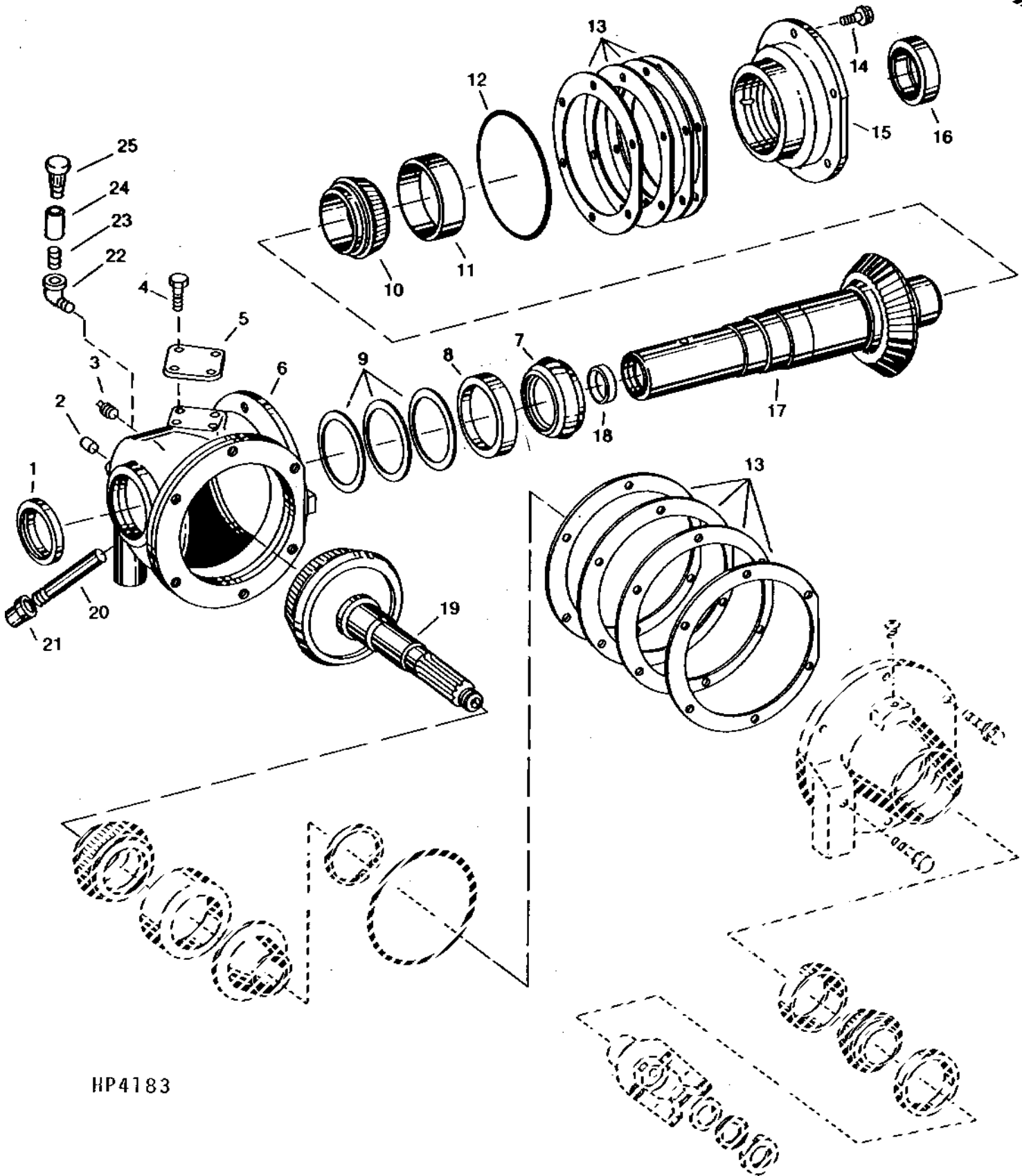
6F18

DRIVES

PRIMARY COUNTERSHAFT GEARCASE

(-640100)

HP4183 -UN-01JAN94



HP4183

6F19

DRIVES

PRIMARY COUNTERSHAFT GEARCASE - CONTINUED

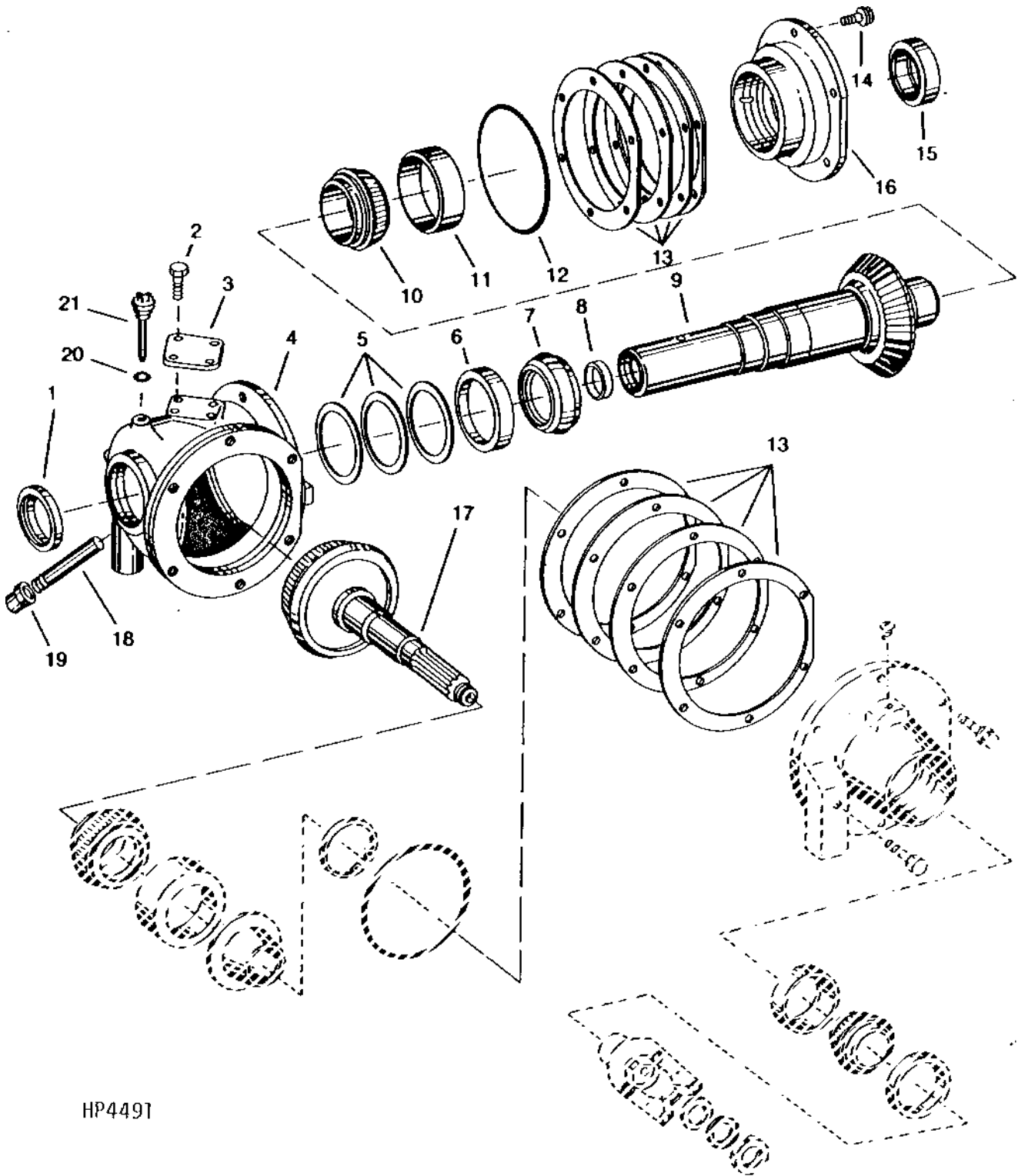
(-640100)

KEY	PART NO.	PART NAME	QTY	SERIAL NO.	REMARKS
1	AT16887	SEAL	1	-635797	(SUB AH137772)
	AH137772	SEAL	1		
2	AH112033	SIGHT PLUG	1		
3	15H237	PIPE PLUG	1	635313-	1/2"
4	19M7866	SCREW	4		M8 X 20
5	H75267	COVER	1		
6	H126721	GEAR CASE	1		
7	JD8164	BEARING CONE	1		
8	JD8210	BEARING CUP	1		
9	T34354	SHIM	AR	-645100	0.050 MM (0.002") THICK, (ORDER AT146272)
	T34355	SHIM	AR	-645100	0.127 MM (0.005") (ORDER AT146272)
	T34356	SHIM	AR	-645100	0.254 MM (0.0100") THICK, (ORDER AT146272)
	AT146272	SHIM	1	645101-	
10	JD7378	BEARING CONE	1		
11	JD7292	BEARING CUP	1		
12	H125838	O-RING	1		177.165 X 5.334 MM (6.975" X 0.210")
13	H114226	SHIM	2		0.080 MM (0.003") (USE ONLY ONE PER SIDE)
	H114227	SHIM	AR		0.130 MM (0.005")
	H114228	SHIM	AR		0.250 MM (0.010")
	H118927	SHIM	AR		0.500 MM (0.020")
14	19M7786	SCREW	6		M10 X 30
15	H126564	HOUSING	1		
16	AT47901	SEAL	1	-635797	(SUB E56866)
	E56866	SEAL	1		
17	BEVEL GEAR	1		GEARS,41-TOOTH-SUB AH125243
18	T69027	SEAL	1		
19	BEVEL GEAR	1		GEARS,41-TOOTH-SUB AH125243
20	29H217	THREADED NIPPLE	1		1/2"
21	15H3	FITTING	1		1/2"
22	15H602	ELBOW FITTING	1	635314-640239	
23	29H593	THREADED NIPPLE	1	635314-635531	1/2" 2 1/2" LONG, (SUB 29H217)
	29H217	THREADED NIPPLE	1	635532-640239	1/2" 5" LONG
24	15H579	COUPLING	1	635314-640239	3/8"
25	AH20868	BREATHER	1	635314-640239	
	U14273	BREATHER	1	640240-	
..	AH125243	GEAR	1		GEARS, MATCHED SET WITH SHAFT
..	T43512	SEALANT	1	-640100	MEDIUM STRENGTH- 50 ML, CANADA NO. TY9477
..	H116160	SEALANT	1		6 ML , 3 OZ. TUBE
..	TY15130	SEALANT	1		3 OZ., CANADA NO. TY9484
..	AH134865	GEAR CASE	1	-635313	(SUB AH137949)
..	AH137949	GEAR CASE	1	635314-	
..	AH139019	GEAR CASE	1		
..	AH141049	GEAR CASE	1		

6F20

PRIMARY COUNTERSHAFT GEARCASE

(640101-)
HP4491 -UN-01JAN94



HP4491

6F21

DRIVES

PRIMARY COUNTERSHAFT GEARCASE - CONTINUED
(640101-)

KEY	PART NO.	PART NAME	QTY	SERIAL NO.	REMARKS
1	AH137772	SEAL	1		
2	19M7866	SCREW	4		M8 X 20
3	H75267	COVER	1		
4	H145001	GEAR CASE	1		DIM. 0.050 MM (0.002 IN.) THICK
5	T34354	SHIM	AR	-660100	0.050 MM (0.002") THICK, (ORDER AT146272)
	T34355	SHIM	AR	-660100	0.127 MM (0.005") (ORDER AT146272)
	T34356	SHIM	AR	-660100	(ORDER AT146272) 0.254 MM (0.010") THICK
	AT146272	SHIM	1	660101-	0.254 MM (0.0100 IN.) THICK
6	JD8210	BEARING CUP	1		
7	JD8164	BEARING CONE	1		
8	T69027	SEAL	1		
9	GEAR	1		GEARS, 41 - TOOTH, SUB AH125243
10	JD7378	BEARING CONE	1		
11	JD7292	BEARING CUP	1		
12	H125838	O-RING	1		177.165 X 5.334 MM (6.975" X 0.210")
13	H114226	SHIM	2		0.080 MM (0.003") USE ONLY ONE PER SIDE
	H114227	SHIM	AR		0.130 MM (0.005")
	H114228	SHIM	AR		0.250 MM (0.010")
	H118927	SHIM	AR		0.500 MM (0.020")
14	19M7786	SCREW	6		M10 X 30
15	E56866	SEAL	1		
16	H126564	HOUSING	1		
17	GEAR	1		GEARS, 41 - TOOTH, SUB AH125243 FOR SERVICE
	AH125243	GEAR	1		GEARS, MATCHED SET WITH SHAFT
18	29H217	THREADED NIPPLE	1		1/2"
19	15H3	FITTING	1		1/2"
20	R26375	O-RING	1		
21	AH139015	DIPSTICK	1	-640816	(SUB AH141022)
	AH141022	DIPSTICK	1		
..	T43512	SEALANT	1		MEDIUM STRENGTH - 50 ML, CANADA NO. TY9477
..	H116160	SEALANT	1		6 ML, (3 OZ.), TUBE
..	TY15130	SEALANT	1		6 ML, (3 OZ.) CANADA NO. TY9484
..	AH139019	GEAR CASE	1	-640816	(SUB AH141049)
..	AH141049	GEAR CASE	1		
..	25M3827	GROOVE PIN	2	640817-	INSERT THROUGH SERIAL NUMBER PLATE AND INTO GEAR CASE

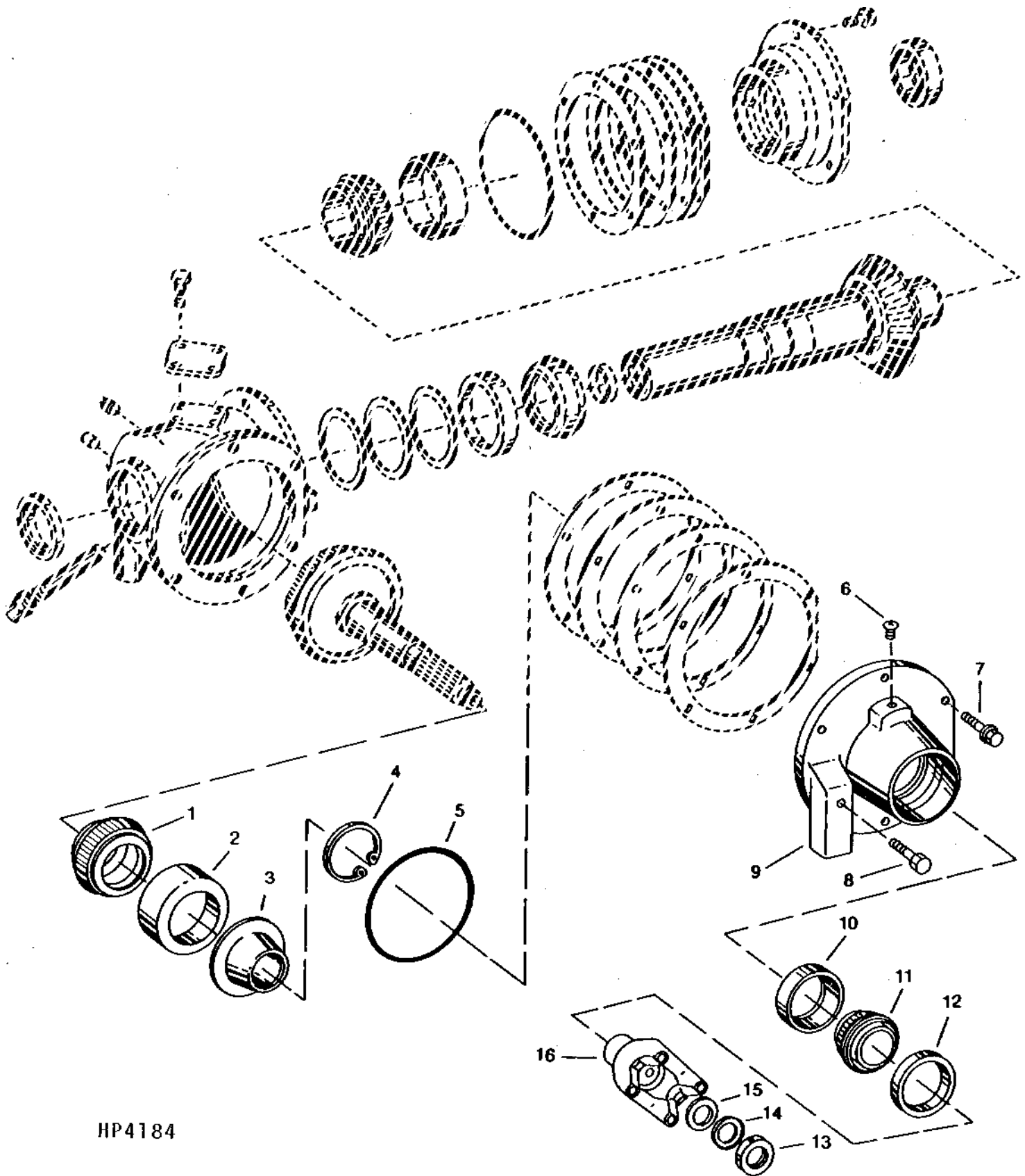
6F22

DRIVES

PRIMARY COUNTERSHAFT GEARCASE

(-640100)

HP4184 -UN-01JAN94



HP4184

6F23

DRIVES

PRIMARY COUNTERSHAFT GEARCASE- CONTINUED
 (-640100)

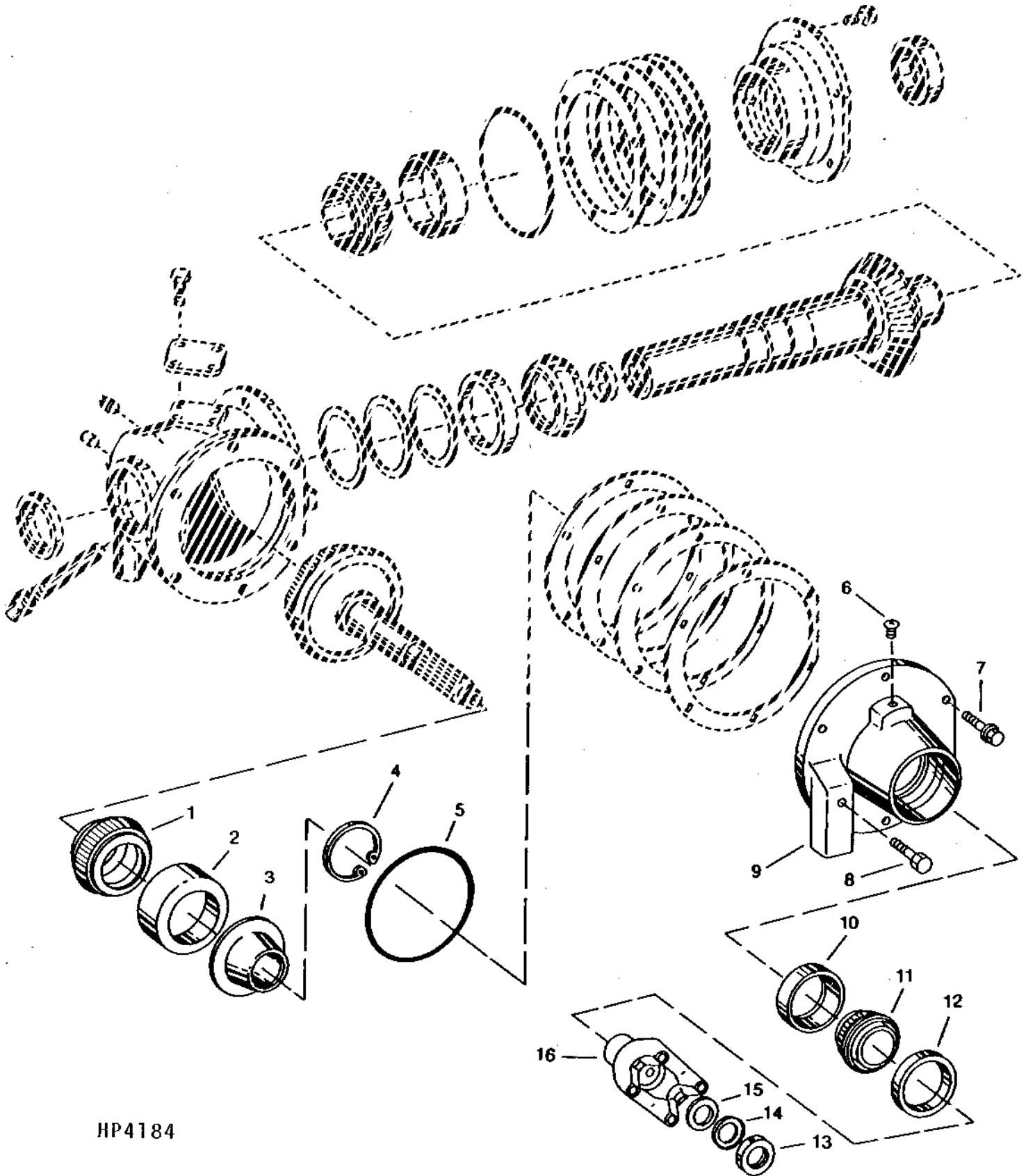
KEY	PART NO.	PART NAME	QTY	SERIAL NO.	REMARKS
1	JD9078	BEARING CONE	1		
2	JD8255	BEARING CUP	1		
3	H129844	RETAINER	1		
4	T41201	SNAP RING	1		
5	H125838	O-RING	1		
6	U14273	BREATHER	1	-635313	
7	19M7786	SCREW	5		M10 X 30
8	19M7807	SCREW	1		M10 X 60
9	H129845	HOUSING	1	-635313	(SUB H144122 AND U14273) REQUIRES 15H602 ELBOW, 29H217 NIPPLE, 15H579 COUPLING, AH20868 BREATHER IN FILL NECK OF H126721 GEARCASE
	H144122	HOUSING	1	635314-	
10	JD7418	BEARING CUP	1		
11	JD7395	BEARING CONE	1		
12	AH112031	SEAL	1	-635797	(SUB AH137771)
	AH137771	SEAL	1		
13	N139123	NUT	1		
14	H118920	LOCK WASHER	1		
15	H118919	LOCK WASHER	1		
16	H121681	YOKE	1		
..	AH125243	GEAR	1		GEARS, MATCHED SET WITH SHAFT
..	T43512	SEALANT	1	-640100	MEDIUM STRENGTH- 50 ML, CANADA NO. TY9477
..	H116160	SEALANT	1		6 ML , 3 OZ. TUBE
..	TY15130	SEALANT	1		3 OZ., CANADA NO. TY9484
..	AH134865	GEAR CASE	1	-635313	(SUB AH137949)
..	AH137949	GEAR CASE	1	635314-640208	
..	AH139019	GEAR CASE	1	640209-	
..	AH141049	GEAR CASE	1		

6F24

DRIVES

PRIMARY COUNTERSHAFT GEARCASE

(640101-)
HP4184 -UN-01JAN94



HP4184

6F25

DRIVES

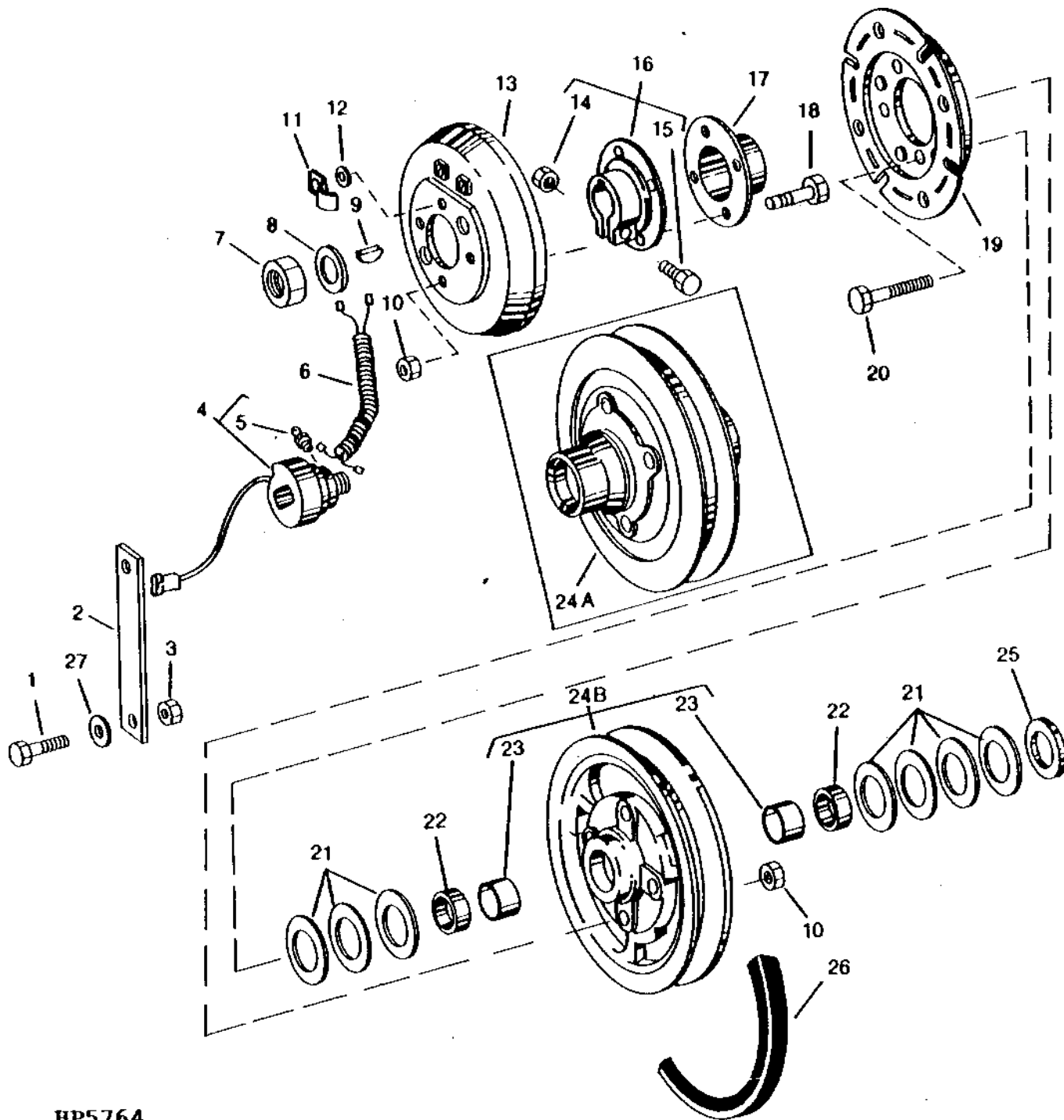
PRIMARY COUNTERSHAFT GEARCASE - CONTINUED
(640101-)

KEY	PART NO.	PART NAME	QTY	SERIAL NO.	REMARKS
1	JD9078	BEARING CONE	1		
2	JD8255	BEARING CUP	1		
3	H129844	RETAINER	1		
4	T41201	SNAP RING	1		
5	H125838	O-RING	1		
6	U14273	BREATHER	1		
7	19M7786	SCREW	5		M10 X 30
8	19M7807	SCREW	1		M10 X 60
9	H145046	HOUSING	1	-640816	(SUB H144122)
	H144122	HOUSING	1		
10	JD7418	BEARING CUP	1		
11	JD7395	BEARING CONE	1		
12	AH137771	SEAL	1		
13	N139123	NUT	1		
14	H118920	LOCK WASHER	1		
15	H118919	LOCK WASHER	1		
16	H121681	YOKE	1		
..	AH125243	GEAR	1		GEARS, MATCHED SET WITH SHAFT
..	T43512	SEALANT	1		MEDIUM STRENGTH - 50 ML, CANADA NO. TY9477
..	H116160	SEALANT	1		6 ML, 3 OZ. TUBE
..	TY15130	SEALANT	1		3 OZ. ,CANADA NO. TY9484
..	AH139019	GEAR CASE	1	-640816	(SUB AH141049)
..	AH141049	GEAR CASE	1		

6G1

DRIVES

HEADER ELECTROMAGNETIC CLUTCH
HP5764 -UN-01JAN94



HP5764

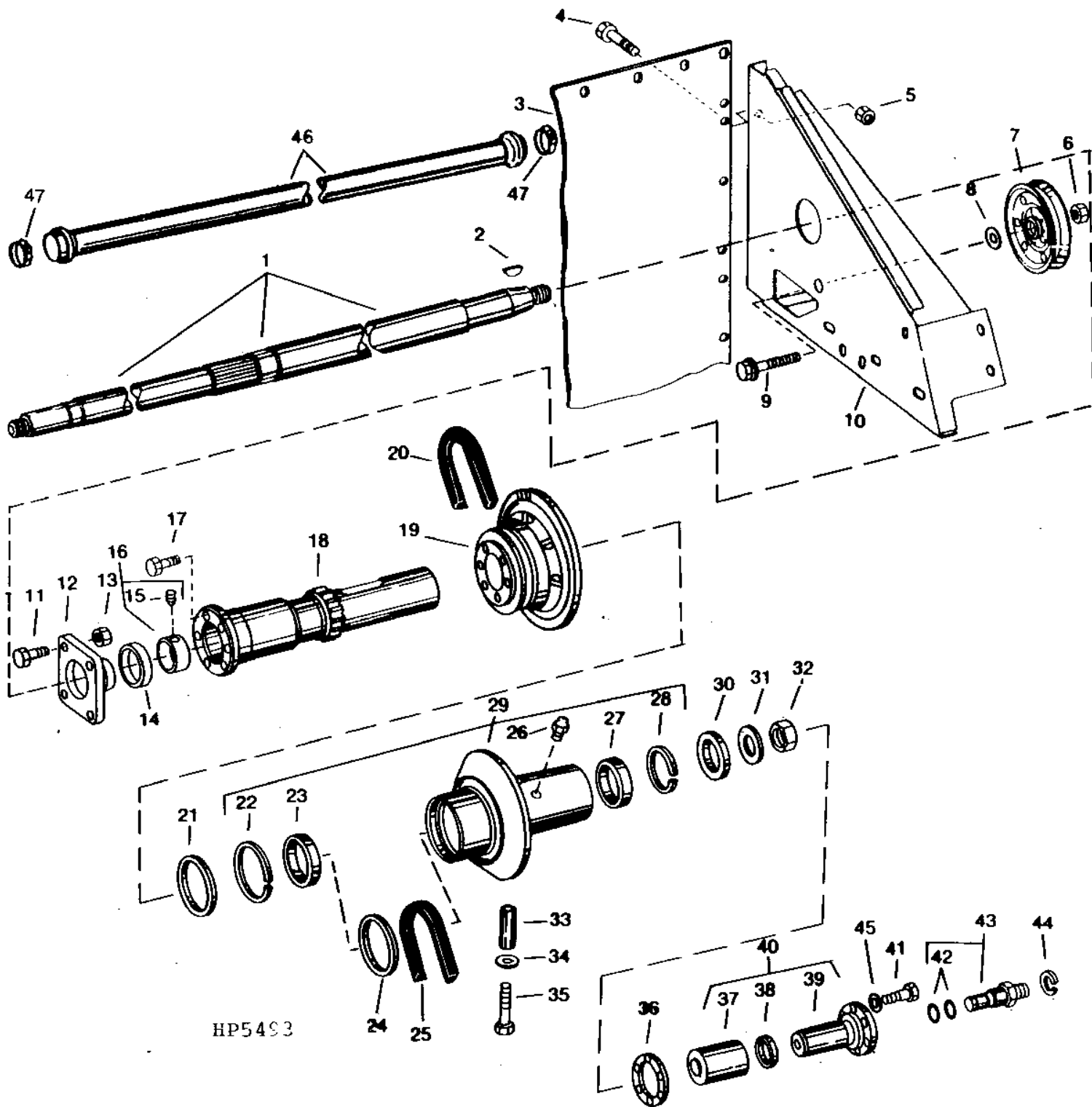
HEADER ELECTROMAGNETIC CLUTCH - CONTINUED

KEY	PART NO.	PART NAME	QTY	SERIAL NO.	REMARKS
1	19M7775	SCREW	1		M6 X 16
2	H134773	STRAP	1		
3	14M7303	FLANGE NUT	1		M6
4	AH130582	DEVICE	1	-15NO99	
	AH162068	KIT	1	16NO99-	
5	JD7797	LUBRICATION FITTING	1		
6	AH134207	WIRING HARNESS	1		
7	H82620	LOCK NUT	1		
8	24H1668	WASHER	1		1-17/64" X 2-1/4" X 0.134"
9	26H105	SHAFT KEY	1		
10	14M7299	FLANGE NUT	8		M12
11	AH77279	CLIP	1		
12	24H1789	WASHER	1		17/32" X 1-1/4" X 0.105"
13	AH121658	FIELD WINDING COIL	1		
14	14M7296	FLANGE NUT	1		M10
15	19M8292	SCREW	1		M10 X 50
16	AH124937	HUB	1	-640407	
	AH136052	HUB	1	640408-	
17	H129676	RING	1		
18	19M7790	SCREW	4		M12 X 35
19	AH96244	ARMATURE	1		
20	19M8306	SCREW	4		M12 X 50
21	24H1616	WASHER	AR	-19AU96	2-9/16" X 3-3/4" X 0.036"
22	AB5070R	SEAL	2		
23	H126716	BUSHING	2		
24A	AH121657	SHEAVE	1	-645431	(SUB AH139936) USE WITH SLOW SPEED CYLINDER DRIVE
24B	AH139936	SHEAVE	1		
25	H126715	WASHER	1		
26	H125565	BELT	1	-635797	
	H140160	BELT	1	635798-	
27	24M7207	WASHER	1	655317-	

6G3

DRIVES

PRIMARY COUNTERSHAFT, SUPPORTS AND VARIABLE SHEAVE, REG. AND EXTENDED RANGE
HP5493 -UN-01JAN94



6G4

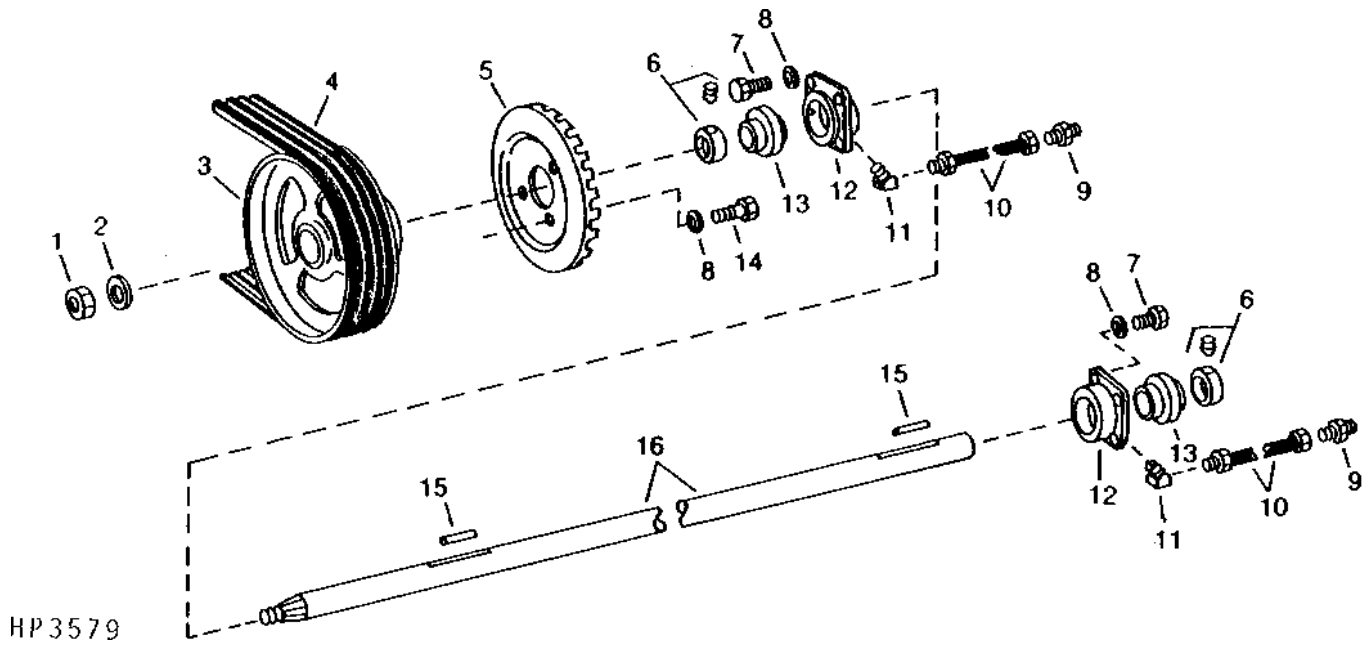
DRIVES

PRIMARY COUNTERSHAFT, SUPPORTS AND VARIABLE SHEAVE, REG. AND EXTENDED RANGE - CONTINUED

KEY	PART NO.	PART NAME	QTY	SERIAL NO.	REMARKS
1	H147483	SHAFT	1		(SUB FOR H127189)
2	26H114	SHAFT KEY	1		1/2" X 2-3/4"
3	H130903	SHEET	1	-640100	
	H143385	SHEET	1	640101-645468	(SUB H145530)
	H145530	SHEET	1	-650100	(SUB H147911)
	H147911	SHEET	1		
4	19M7866	SCREW	AR		M8 X 20
5	14M7298	FLANGE NUT	AR		M8
6	14M7291	FLANGE NUT	1		M16
7	AH97031	IDLER	1		
8	24M7053	WASHER	AR		17 X 30 X 3 MM
9	19M7794	SCREW	1	-660514	M16 X 50
	19M7824	SCREW	1	660515-	M16 X 60
10	AH125563	SHEET	1	-631800	
	AH135295	SHEET	1	631801-645100	(SUB AH135077) USED WITH SINGLE RANGE ONLY
	AH135077	SHEET	1		USED WITH SINGLE RANGE ONLY
	AH135296	SHEET	1	645101-	USED WITH EXTENDED SINGLE RANGE ONLY
11	19M7786	SCREW	4		M10 X 30
12	H115930	BEARING HOUSING W/O BEARING	1		
	H133618	BEARING HOUSING W/O BEARING	1		USE WITH EXTENDED SINGLE RANGE CYLINDER DRIVE GOOD FOR SERIAL NUMBER THROUGH 635101
13	14M7296	FLANGE NUT	4		M10
14	JD8669	BALL BEARING	1		(5" DIA.)
	JD10017	BALL BEARING	1		USE WITH EXTENDED SINGLE RANGE CYLINDER DRIVE (5.118" DIA.)
15	22H821	SET SCREW	1		1/2" X 1/2"
16	JD8668	ECCENTRIC LOCKING COLLAR	1		
17	19M7835	SCREW	6		M10 X 35
	19M7786	SCREW	6		M10 X 30, (FOR EXTENDED RANGE)
18	H127196	HOUSING	1		
	H129879	HOUSING	1		(FOR EXTENDED RANGE)
19	H115755	HALF SHEAVE	1		
	H137583	SHEAVE	1		(FOR EXTENDED RANGE)
20	H128010	BELT	1		PRIMARY TO SECONDARY COUNTERSHAFT DRIVE
21	AH94853	SEAL	1		
22	H93631	SNAP RING	1		
23	H93630	BUSHING	1		
24	H118617	BUMPER	1		USED FOR SLOW SPEED CYLINDER DRIVE ONLY
25	H115759	BELT	1		PRIMARY TO INTERMEDIATE CYLINDER DRIVE, (SUB H162629)
	H162629	BELT	1		
	H137670	BELT	1		(FOR EXTENDED RANGE)
26	JD7798	LUBRICATION FITTING	2		
27	H123557	SPACER	1		(SUB H148131)
	H148131	BUSHING	1		
28	P48691	SNAP RING	1		
29	AH141820	HALF SHEAVE	1	650434-	(SUB FOR AH122685)
	AH125398	SHEAVE	1	-650433	(FOR EXTENDED RANGE)
	AH141821	HALF SHEAVE	1	650434-	(FOR EXTENDED RANGE)
30	AH87141	SEAL	1		
31	24H1668	WASHER	1		1-17/64" X 2-1/4" X 0.134"
32	H82620	LOCK NUT	1		
33	H110237	PIN	1		
34	24M7178	WASHER	2		10.500 X 30 X 2.500 MM
35	19M7784	SCREW	2		M10 X 20
36	H102533	SHIM	AR		0.762 MM (0.030")
37	BARREL	1		(SUB AH125193)
38	H97306	SEAL	1		
39	PISTON	1		(SUB AH125193)
40	AH125193	CYLINDER	1		
	AH133974	CYLINDER	1		(FOR EXTENDED RANGE)
41	19H1732	CAP SCREW	6		3/8" X 1-1/4"
42	R27564	O-RING	2		
43	AH124376	UNION FITTING	1	-640188	(SUB AH139238)
	AH139238	UNION FITTING	1	640189-	
44	H135292	SNAP RING	1		
45	12H304	LOCK WASHER	6		3/8"
46	AH163802	KIT	1		(INCLUDES (2) TY22494) (SUB FOR AH141389)
47	AR60499	CLAMP	2	-660340	
	TY22494	HOSE CLAMP	2		

6G5

SINGLE RANGE CYLINDER DRIVE
HP3579 -UN-01JAN94



HP3579

6G6

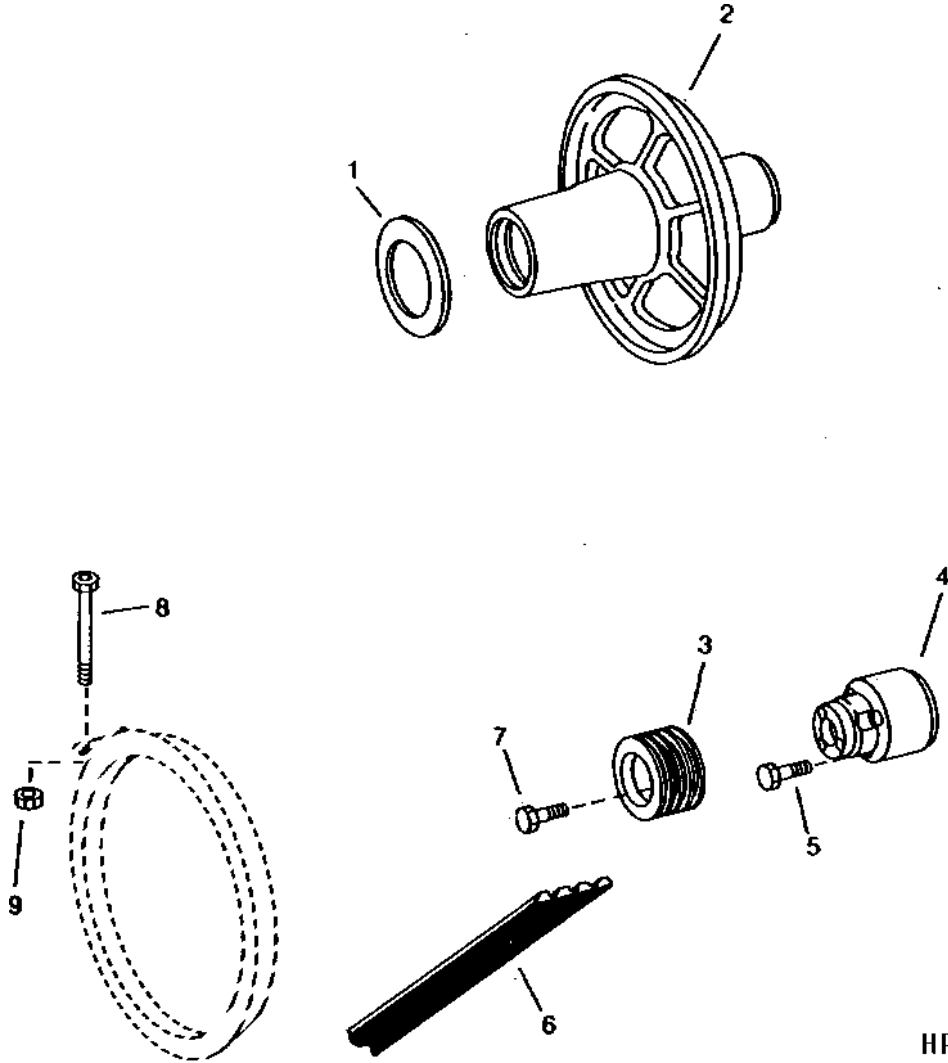
DRIVES

SINGLE RANGE CYLINDER DRIVE - CONTINUED

KEY	PART NO.	PART NAME	QTY	SERIAL NO.	REMARKS
1	H138085	LOCK NUT	1		
2	24H1509	WASHER	1		1-25/64" X 2-1/2" X 0.194"
3	H93645	SHEAVE	1		
4	H115881	BELT	1		
5	H128297	WHEEL	1		
6	JD10342	ECCENTRIC LOCKING COLLAR	1		
7	19H1732	CAP SCREW	4		3/8" X 1-1/4"
8	12H304	LOCK WASHER	4		3/8"
9	JD7759	LUBRICATION FITTING	2		
10	AH121009	HOSE	2		1/8" X 910 MM (35-3/4") X 1/8"
11	JD7845	ELBOW FITTING	2		
12	H99149	HOUSING	2		
13	JD10343	BALL BEARING	2		
14	19H1936	CAP SCREW	3		3/8" X 3/4"
15	SHAFT KEY	2		(CUT FROM H64376) IN AH64587 KEY STOCK KIT
16	H127972	SHAFT	1	-640684	(SUB H145970) SINGLE RANGE
	H145970	SHAFT	1		SINGLE RANGE

6G7

SLOW SPEED CYLINDER DRIVE
HP3983 -UN-01JAN94



HP3983

6G8

DRIVES

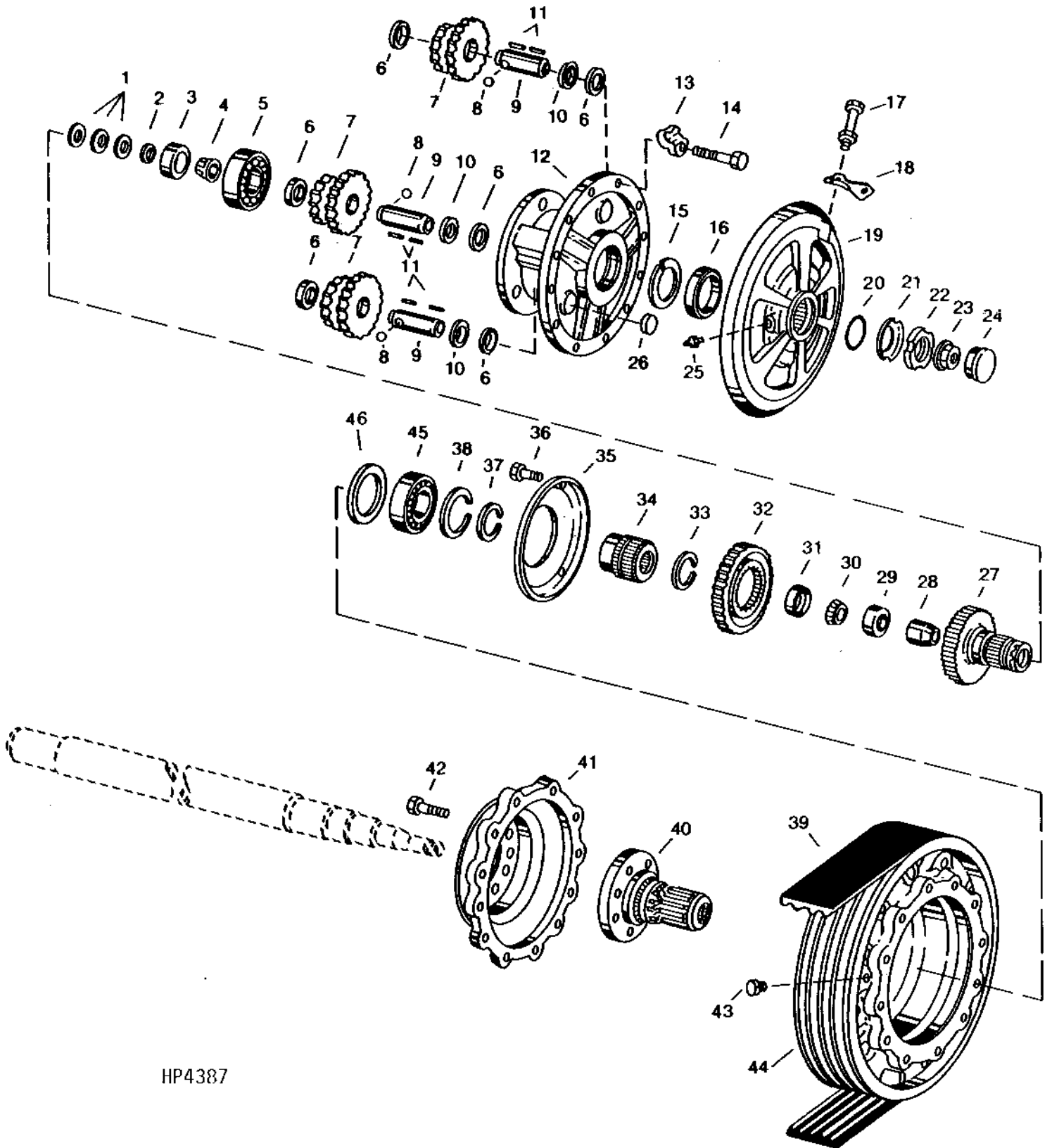
SLOW SPEED CYLINDER DRIVE - CONTINUED

KEY	PART NO.	PART NAME	QTY	SERIAL NO.	REMARKS
1	H118617	BUMPER	1		
2	AH141820	HALF SHEAVE	1		(SUB FOR AH122685)
3	H118616	SHEAVE	1		
4	H125532	HUB	1	-640100	(SUB H141588)
	H141588	HUB	1		
5	19M8017	CAP SCREW	3		M12 X 20
6	H118618	BELT	1		
7	19M8162	CAP SCREW	3		M10 X 40
8	H120490	BOLT	4		SPECIAL HOLLOW SHEAR BOLT
9	M63707	LOCK NUT	4		6.350 MM
..	BH79239	COMPLETE GOODS/SHIP. BUNDLE	1		DUAL RANGE CYLINDER DRIVE

6G9

DRIVES

DUAL-RANGE CYLINDER DRIVE GEAR CASE
HP4387 -UN-01JAN94



HP4387

6G10

DRIVES

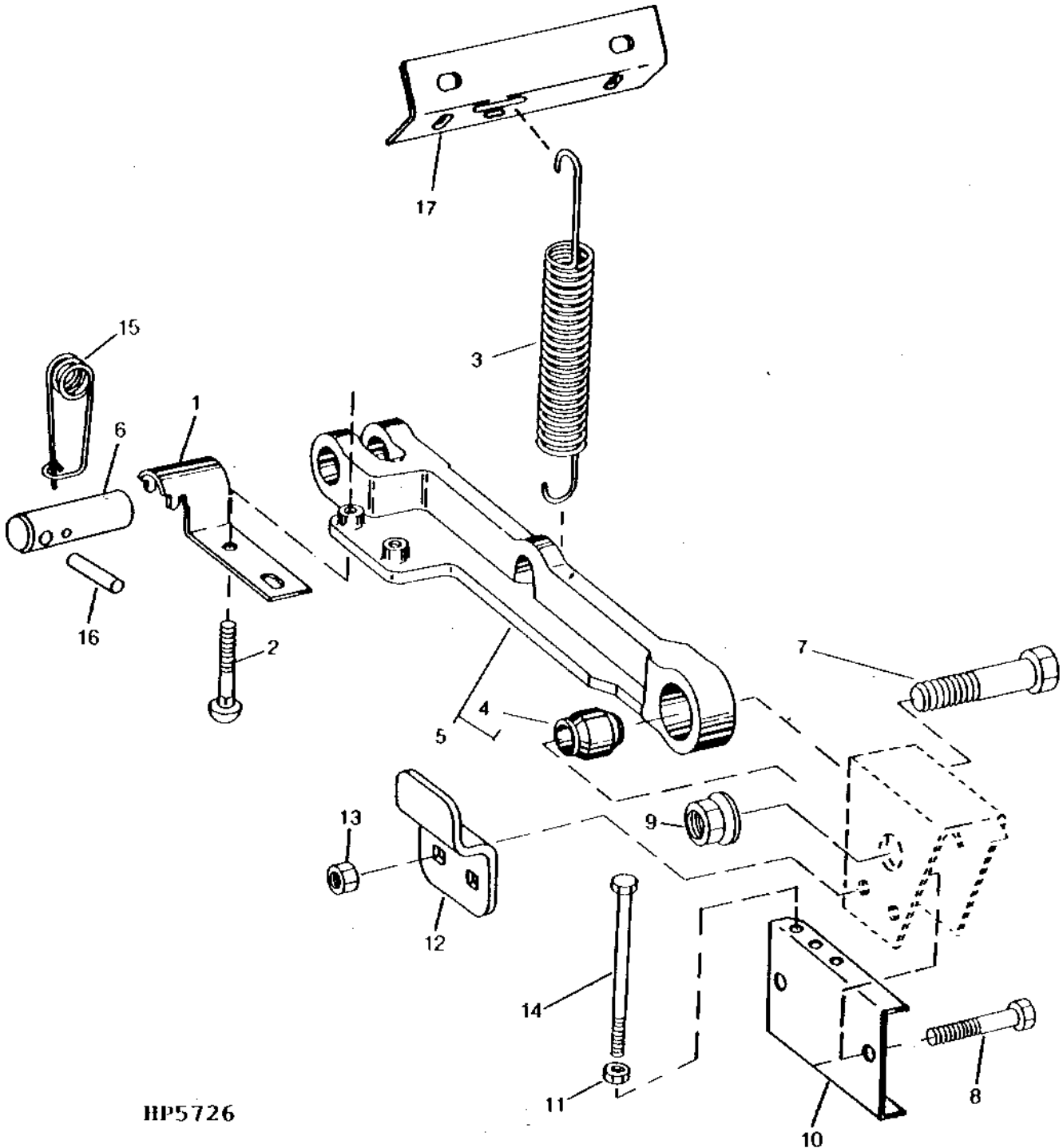
DUAL-RANGE CYLINDER DRIVE GEAR CASE - CONTINUED

KEY	PART NO.	PART NAME	QTY	SERIAL NO.	REMARKS
1	H111260	SHIM	AR		0.05 THICK
	H111261	SHIM	AR		0.10 THICK
	H111262	SHIM	AR		0.25 THICK
2	H111041	WASHER	1		
3	JD8239	BEARING CUP	1		
4	JD8960	BEARING CONE	1		
5	AH108801	BALL BEARING	1		
6	R71758	THRUST WASHER	6		
7	H113947	PINION	3		
8	H871R	BALL	3		
9	H113627	PINION SHAFT	3		
10	R71756	WASHER	3		
11	R84261	PIN	132		
12	H118082	COVER	1		
13	H127855	RETAINER	3		
14	19M8162	CAP SCREW	12		M10 X 40
	12H304	LOCK WASHER	9		3/8"
15	H117703	SHIM	1		
16	AH112883	SEAL	1		
17	19H2151	CAP SCREW	1		1/4" X 3"
	M63707	LOCK NUT	1		6.350 MM
18	H127590	LUG	1		
19	H113208	WHEEL	1		
20	U10063	O-RING	1		
21	H112877	LOCK WASHER	1		
22	E12305	NUT	1		64.719 MM
23	H113238	FLANGE NUT	1		
24	H110521	CAP	1		
25	JD7797	LUBRICATION FITTING	1		
26	H110462	PLUG	3		
27	H113063	GEAR	1		
28	H111042	SPACER	1		
29	JD7441	BEARING	1		
30	JD10214	BEARING CONE	1		
31	AH110887	SEAL	1		
32	H113946	GEAR	1		
33	T47836	SNAP RING	1		
34	H114687	BEARING HOUSING W/O BEARING	1		
35	H110337	RING	1		
36	R38131	CAP SCREW	3		
37	R80R	SNAP RING	1		
38	H114688	SNAP RING	1		
39	H115881	BELT	1		FOR DUAL RANGE
	H137671	BELT	1	-640194	(SUB H145994) FOR EXTENDED RANGE
	H145994	BELT	1	640195-	(FOR EXTENDED RANGE)
40	H126829	HUB	1		
41	H126722	SHEAVE	1		
42	19M7785	SCREW	8	-640100	M10 X 25
	H144962	SCREW	8	640101-	
43	AH109056	PIPE PLUG	1		
44	H114689	SHEAVE	1		
45	JD10032	BALL BEARING	1		
46	AF1466R	SEAL	1		
..	T43512	SEALANT	1	-640100	SIZE: 50 ML. (CANADA PART NO. TY9477)
..	TY15130	SEALANT	1		SIZE: 3 OZ. (CANADA PART NO. TY9484)
..	TY6305	PRIMER	1	-640100	SIZE: 6 OZ. AEROSOL (CANADA PART NO. TY9485)
..	TY6304	SEALANT	1		(CANADA PART NO. TY9483)
..	TY6333	GREASE	1		SIZE- 14 OZ. TUBE
..	AH134859	GEAR CASE	1		(DOES NOT INCLUDE H115881)
..	BH71935	COMPLETE GOODS/SHIP. BUNDLE	1		EXTENDED DUAL RANGE CYLINDER DRIVE

6G11

DRIVES

DUAL-RANGE LOCKOUT ARM
HP5726 -UN-01JAN94



HP5726

6G12

DRIVES

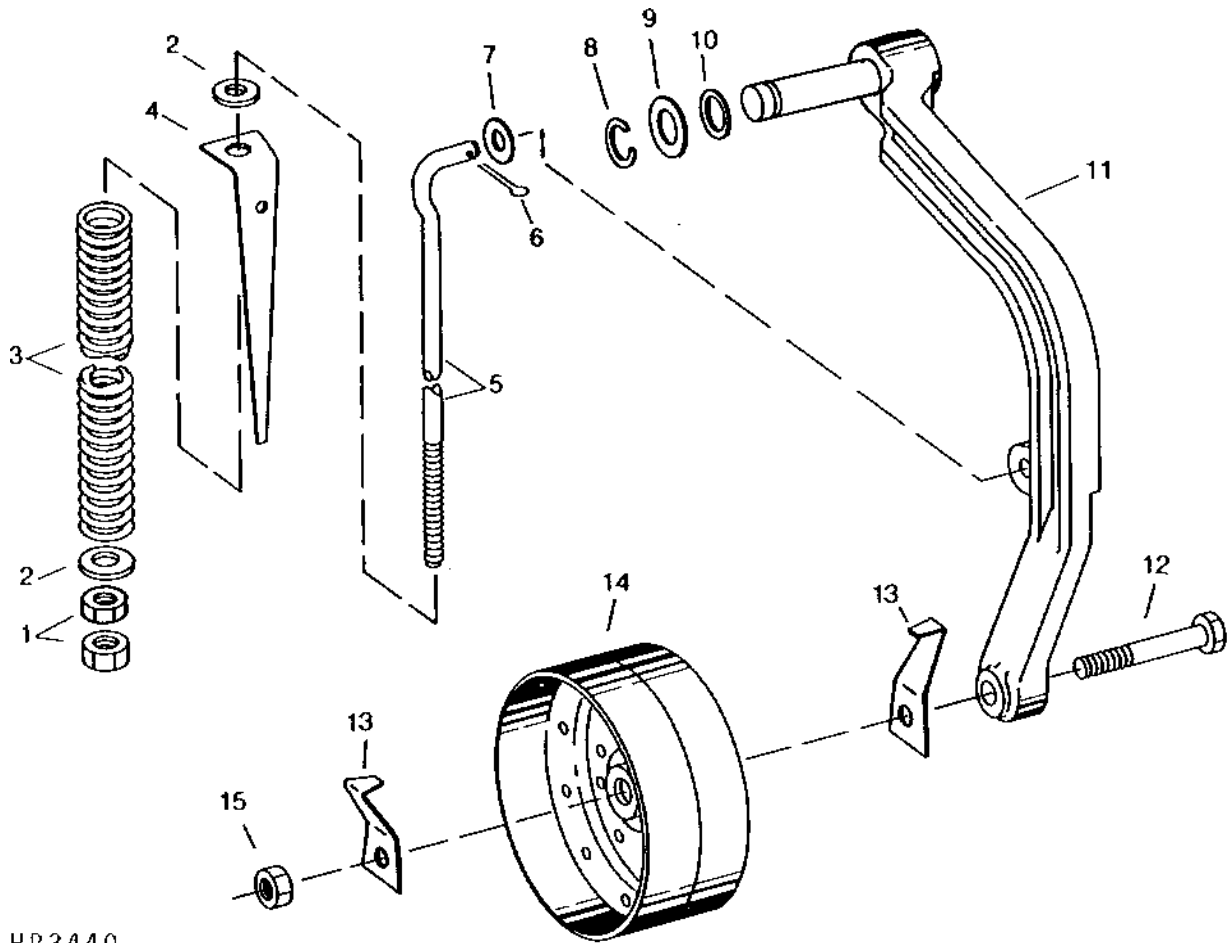
DUAL-RANGE LOCKOUT ARM - CONTINUED

KEY	PART NO.	PART NAME	QTY	SERIAL NO.	REMARKS
1	H139709	RETAINER	1		
2	19M7867	SCREW	2		M8 X 25
3	M45123	EXTENSION SPRING	1		
4	AH80384	ISOLATOR	1	-655304	(SUB AH154697)
	AH143746	RUBBER MOUNT	1		(USE WITH AH143747)
	AH154697	BUSHING	1		
5	AH131070	ARM	1	-655304	(SUB AH143747)
	AH143747	ARM	1		
6	H110542	PIN	1		
7	19M7826	SCREW	1		M16 X 70
8	03M7184	BOLT	1	-640100	M8 X 20
9	14M7291	FLANGE NUT	1		M16
10	AH139180	KIT	1	-640100	
11	M63707	LOCK NUT	3		6.350 MM
12	H127732	GUIDE	1	-640100	
13	14M7298	FLANGE NUT	1	-640100	M8
14	19H2151	CAP SCREW	3		1/4" X 3"
15	H114001	QUICK LOCK PIN	1		
16	34M7036	SPRING PIN	1		5 X 45 MM
17	H120660	ANGLE	1	-635748	(SUB H120659)
	H120659	ANGLE	1		
..	BH71935	COMPLETE GOODS/SHIP. BUNDLE	1		EXTENDED DUAL RANGE CYLINDER DRIVE

6G13

DRIVES

DUAL-RANGE CYLINDER DRIVE TIGHTENER
HP3440 -UN-01JAN94



HP 3440

6G14

DRIVES

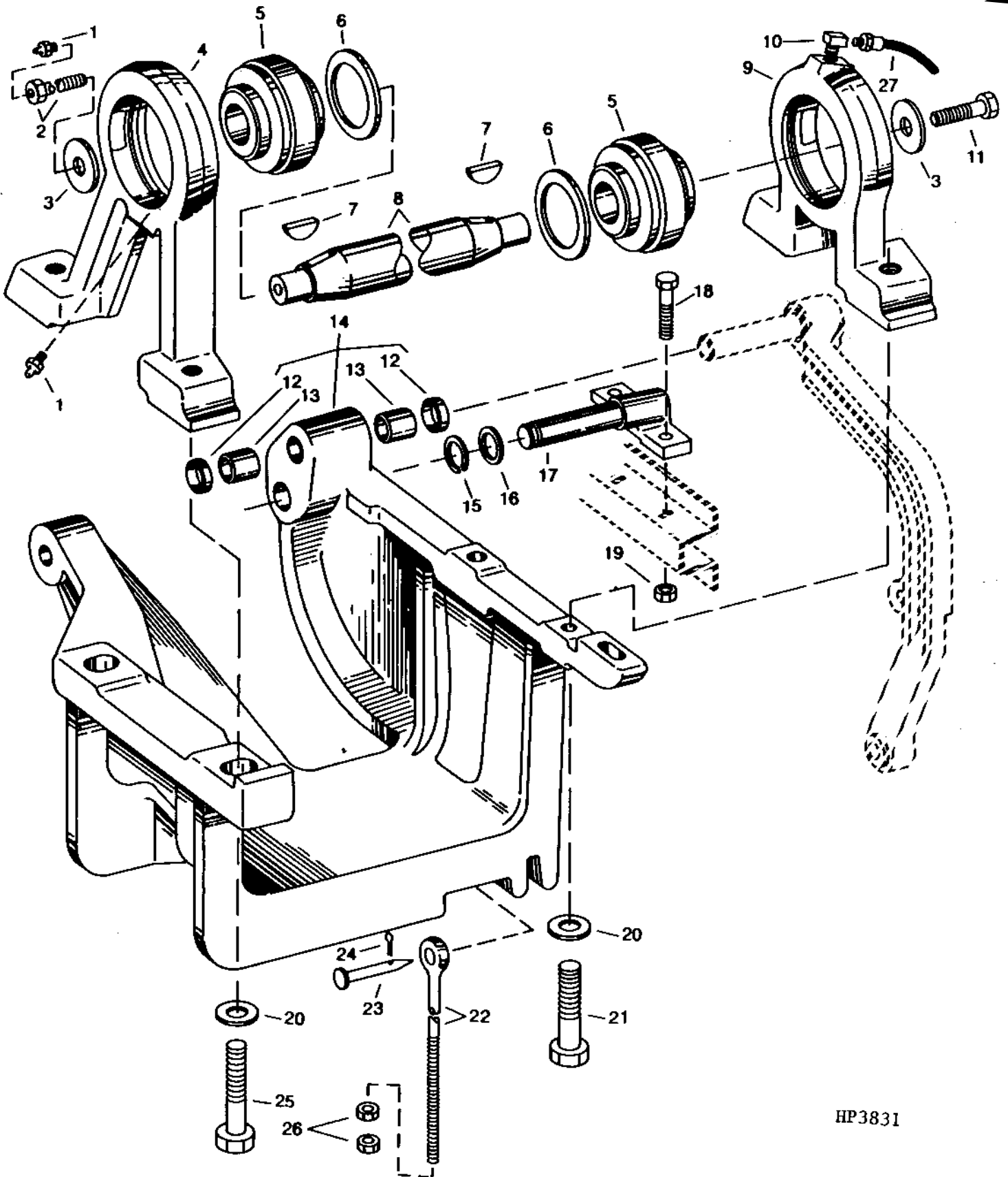
DUAL-RANGE CYLINDER DRIVE TIGHTENER - CONTINUED

KEY	PART NO.	PART NAME	QTY	SERIAL NO.	REMARKS
1	14M7276	NUT	2	M16	
2	24H1373	WASHER	2	21/32" X 1-9/16" X 0.180"	
3	N61654	SPRING	1		
4	H116862	GAUGE	1		
5	H116861	HOOK BOLT	1		
6	11M7028	COTTER PIN	1	5 X 32 MM	
7	24M7053	WASHER	1	17 X 30 X 3 MM	
8	P46402	SNAP RING	1		
9	24H1447	WASHER	AR	1-1/32" X 1-1/2" X 0.036" (USE FOUR OR LESS)	
10	24H1448	WASHER	1	1-1/32" X 1-1/2" X 0.120"	
11	AH113139	ARM	1		
12	19M7818	SCREW	1	M12 X 80	
13	H94386	BRACKET	2		
14	AH111447	IDLER	1		
	AH141762	IDLER	1		
15	14M7299	FLANGE NUT	1	M12	

6G15

DRIVES

DUAL-RANGE CYLINDER DRIVE INTERMEDIATE SHAFT MOUNTING
HP3831 -UN-01JAN94



HP3831

6G16

DRIVES

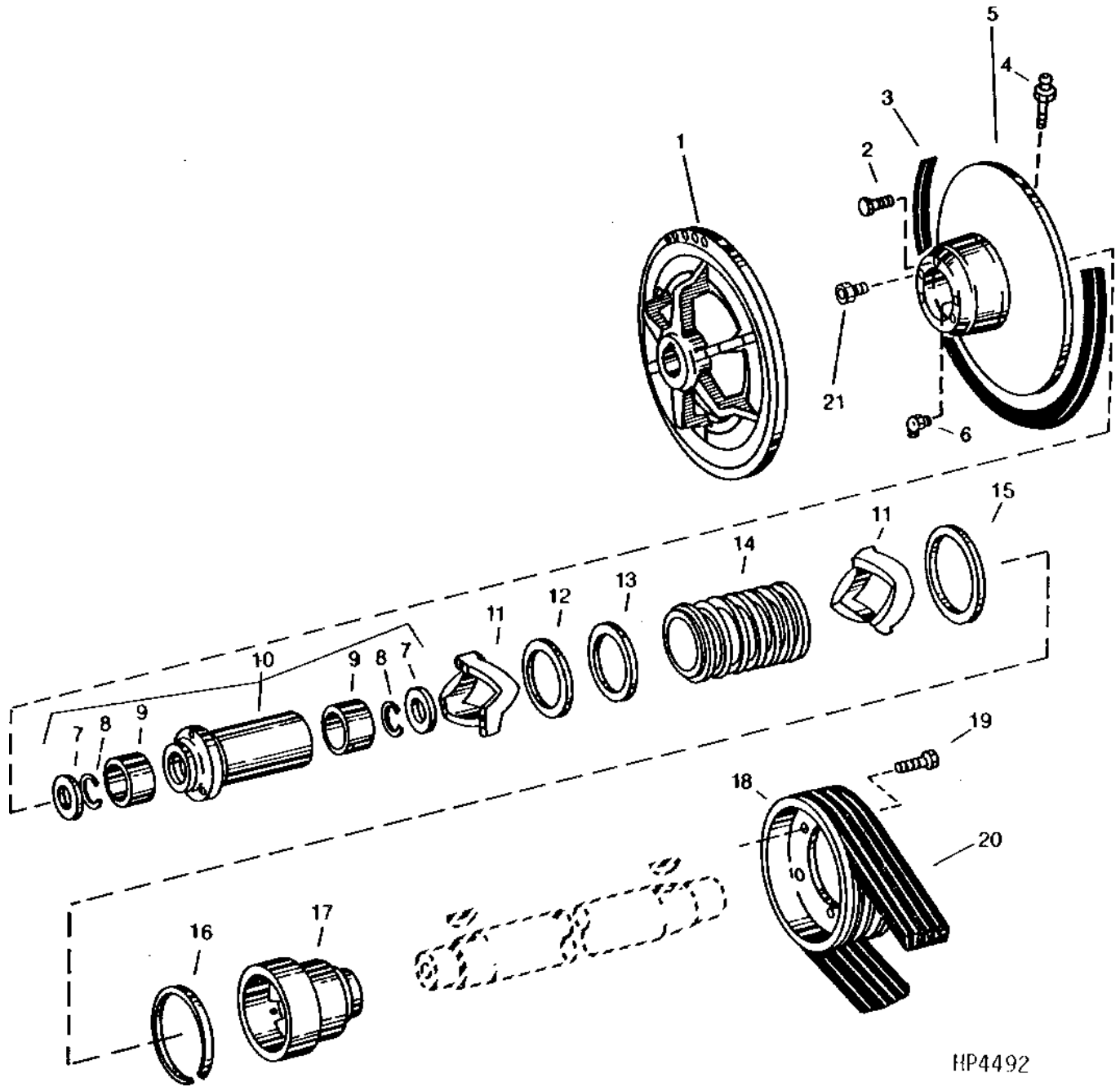
DUAL-RANGE CYLINDER DRIVE INTERMEDIATE SHAFT MOUNTING - CONTINUED

KEY	PART NO.	PART NAME	QTY	SERIAL NO.	REMARKS
1	JD7759	LUBRICATION FITTING	2		1/8" STRAIGHT
2	H110168	SCREW	1		
3	R20135	WASHER	2		
4	H121134	HOUSING	1		
5	AH108813	BALL BEARING	2		
6	E18993	WASHER	2		
7	26M6787	SHAFT KEY	2		10 X 32 MM
8	H115596	SHAFT	1	-650185	(SUB H148241)
	H148241	SHAFT	1		
	H137575	SHAFT	1	-645645	(SUB H148242) FOR EXTENDED RANGE
	H148242	SHAFT	1		
9	H119210	HOUSING	1		
10	JD7839	LUBRICATION FITTING	1		90 DEGREE
11	19M7793	SCREW	1		M16 X 40, WITH BUSHINGS
12	AA5607R	SEAL	2		
13	H99147	BUSHING	2		(SUB H171061)
	H171061	BEARING	2		
14	AH122451	SUPPORT	1		
	AH132346	SUPPORT	1		WITH BUSHINGS,(FOR EXTENDED RANGE)
15	M2353T	SNAP RING	1		
16	24H1513	WASHER	1		1-13/32" X 2" X 0.060"
17	H127596	PIN	1		
18	19M7898	SCREW	2		M10 X 130
19	14M7296	FLANGE NUT	2		M10
20	T20217	WASHER	4		12.954 X 43.942 X 6.350 MM
21	19H3057	CAP SCREW	2		1/2" X 2-3/4"
22	H127583	EYEBOLT	1		
23	T22714	PIN	1		
24	11M7028	COTTER PIN	1		5 X 32 MM
25	19M8306	SCREW	2		M12 X 50
26	14M7291	FLANGE NUT	2		M16
27	AH121007	HOSE	1		

6G17

DRIVES

DUAL-RANGE CYLINDER DRIVE INTERMEDIATE SHEAVE
HP4492 -UN-01JAN94



HP4492

6G18

DRIVES

DUAL-RANGE CYLINDER DRIVE INTERMEDIATE SHEAVE - CONTINUED

KEY	PART NO.	PART NAME	QTY	SERIAL NO.	REMARKS
1	H145955	SHEAVE	1		(SUB FOR H115599)
	H137580	SHEAVE	1		(FOR EXTENDED RANGE)
2	19M7789	SCREW	3		M12 X 30
3	H115759	BELT	1		(SUB H162629)
	H162629	BELT	1		
	H137670	BELT	1		(FOR EXTENDED RANGE)
4	JD7759	LUBRICATION FITTING	1		1/8" STRAIGHT
5	AH141973	HALF SHEAVE	1	635473-	(SUB FOR H144038, H125530 AND AH106296)
	AH141974	HALF SHEAVE	1		(INCLUDES JD7759) (SUB FOR H144039 OR H137579)
6	JD7806	LUBRICATION FITTING	1	-642858	90 DEGREE
	JD7788	LUBRICATION FITTING	1	642859-	45 DEGREE
7	AH106110	SEAL	2		
8	B3118R	SNAP RING	2		
9	H125528	BUSHING	2		
10	AH120907	HUB	1		
	AH132190	HUB	1		(FOR EXTENDED RANGE)
11	H145243	CAM	2		(SUB FOR H125533 OR H141735)
	H129878	CAM	2		(EXTENDED RANGE)
12	H96227	WASHER	1		
13	H96232	WASHER	1		
14	AH132189	SPRING ASSEMBLY	1		(INCLUDES H96226) (FOR EXTENDED RANGE)
	AH148893	SPRING ASSEMBLY	1		(SUB FOR AH108693)
	AH136497	SEAL	1		(SUB FOR AH94854)
16	H107389	RING	1		
17	H146394	HUB	1		(SUB FOR H125531)
18	H125391	SHEAVE	1		
	H146395	SHEAVE	1		(SUB FOR H137574)
19	19M7818	SCREW	3		M12 X 80
20	H115881	BELT	1		(FOR DUAL RANGE)
	H137671	BELT	1	-640194	(FOR EXTENDED RANGE)
	H145994	BELT	1	640195-	
21	AH106296	BREATHER	1		(SUB AE38448) (FOR EXTENDED RANGE)
	AE38448	RELIEF VALVE	1		

6G20

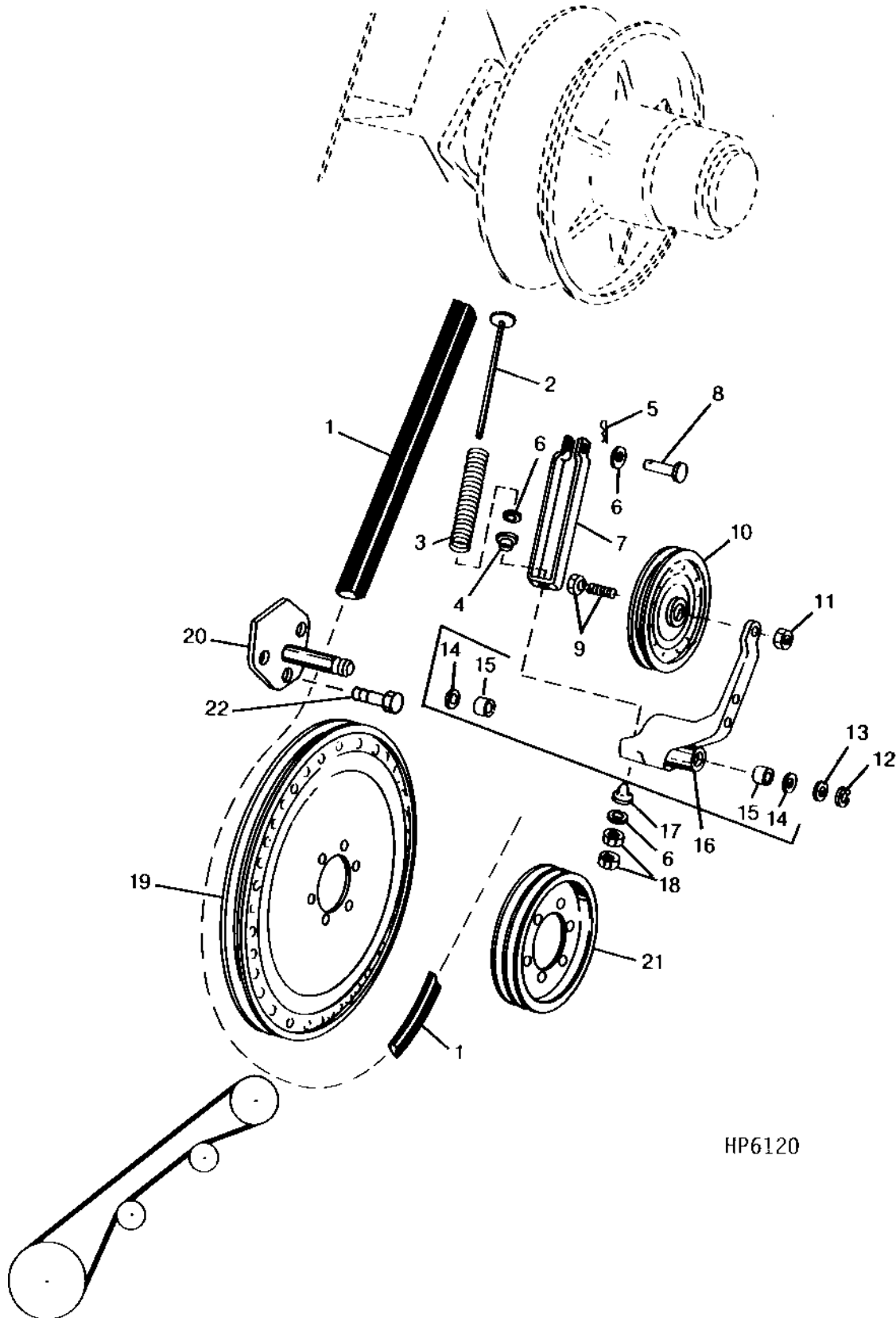
DRIVES

INTERMEDIATE DRIVE ADJUSTING BRACKET - CONTINUED

KEY	PART NO.	PART NAME	QTY	SERIAL NO.	REMARKS
1	14M7299	FLANGE NUT	8	M12	
2	19M7837	SCREW	2	M12 X 110	
3	AH126538	BRACE	1		
4	14M7300	FLANGE NUT	2	M20	
5	H131482	SUPPORT	1		
	H137721	BRACKET	1		(FOR EXTENDED RANGE)
6	24M7240	WASHER	3	13 X 25 X 3 MM	
7	14M7291	FLANGE NUT	1	M16	
8	H116065	EYEBOLT	1		
9	24M7053	WASHER	1	17 X 30 X 3 MM	
10	19M8046	CAP SCREW	1	M16 X 70	
11	H131485	EYEBOLT	1		
12	R50770	PLUG	1		
13	19M7791	SCREW	2	M12 X 40	
	19M7818	SCREW	1		(FOR EXTENDED RANGE)
14	H141356	SPACER	1		(FOR EXTENDED RANGE)
15	19M7868	SCREW	1		(FOR EXTENDED RANGE)
16	14M7298	FLANGE NUT	1		(FOR EXTENDED RANGE)

6G21

SECONDARY COUNTERSHAFT DRIVE
HP6120 -UN-21JUL95



HP6120

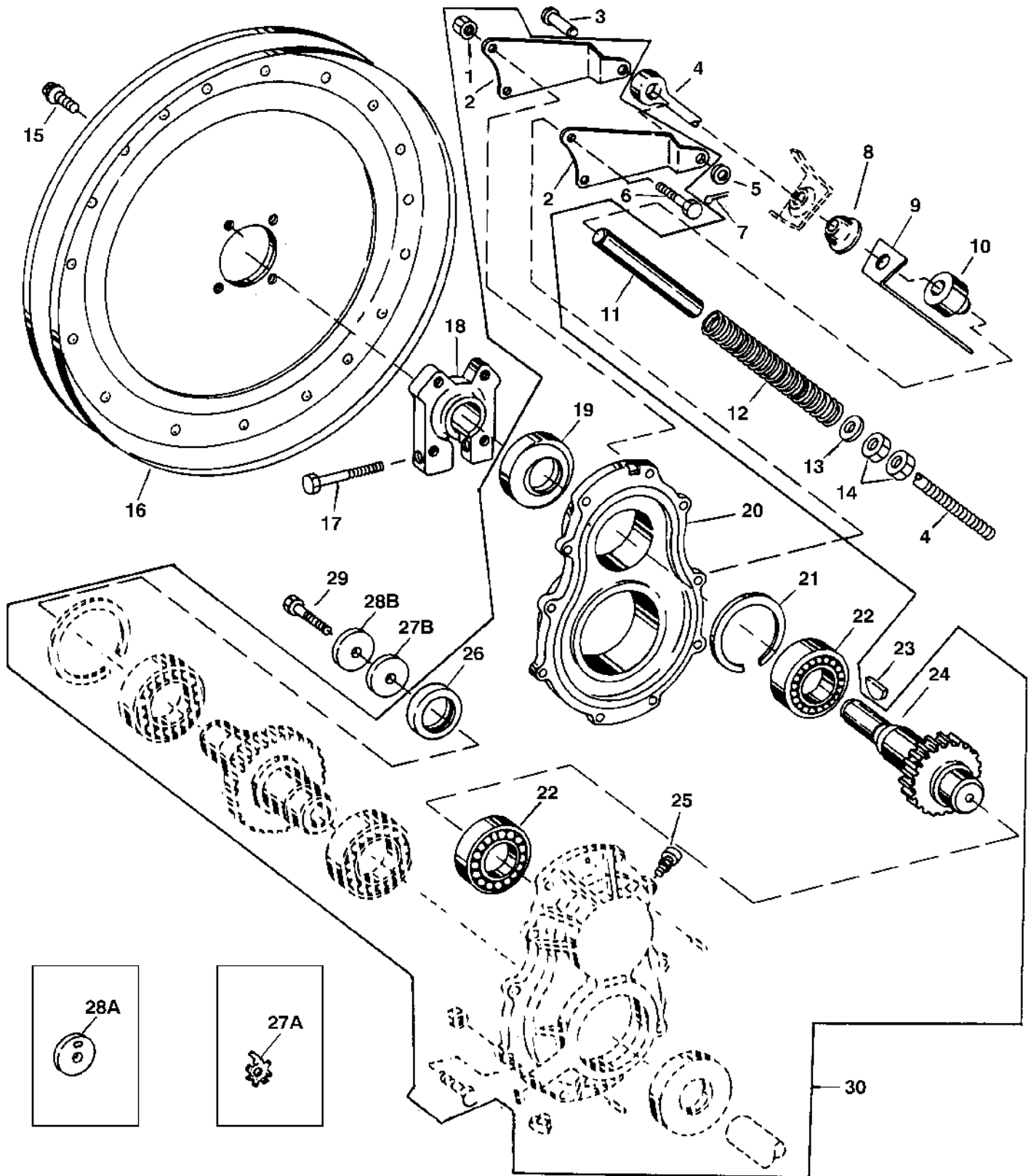
SECONDARY COUNTERSHAFT DRIVE - CONTINUED

KEY	PART NO.	PART NAME	QTY	SERIAL NO.	REMARKS
1	H128010	BELT	1		
2	AH124826	STUD	1		
3	B10604	SPRING	1		
4	H97513	BUSHING	1		
5	11M7028	COTTER PIN	1	5 X 32 MM	
6	24M7047	WASHER	3	13 X 24 X 2.500 MM	
7	H133667	CLEVIS	1		
8	H748DA	PIN	1		
9	19M7824	SCREW	1	M16 X 60	
10	AH97031	IDLER	1		
11	14M7291	FLANGE NUT	1	M16	
12	P46402	SNAP RING	1		
13	24M7091	WASHER	1	26 X 44 X 4 MM	
14	AA5607R	SEAL	2		
15	H99147	BUSHING	2	(SUB H171061)	
	H171061	BEARING	2		
16	AH124828	ARM	1		
17	H129207	PIVOT	1		
18	14M7275	NUT	2	M12	
19	AH104783	PULLEY	1		
20	AH109197	PIN	1	-27MAY7	
	AH156051	SPRING PIN	1	27MAY7-	
21	H129101	SHEAVE	1	-640100	
	H142143	SHEAVE	1	640101-	
22	19M7784	SCREW	3	M10 X 20, (SUB H145706)	

6G23

DRIVES

STRAW WALKER DRIVE GEARCASE
HP6646 -UN-11FEB97



HP6646

6G24

DRIVES

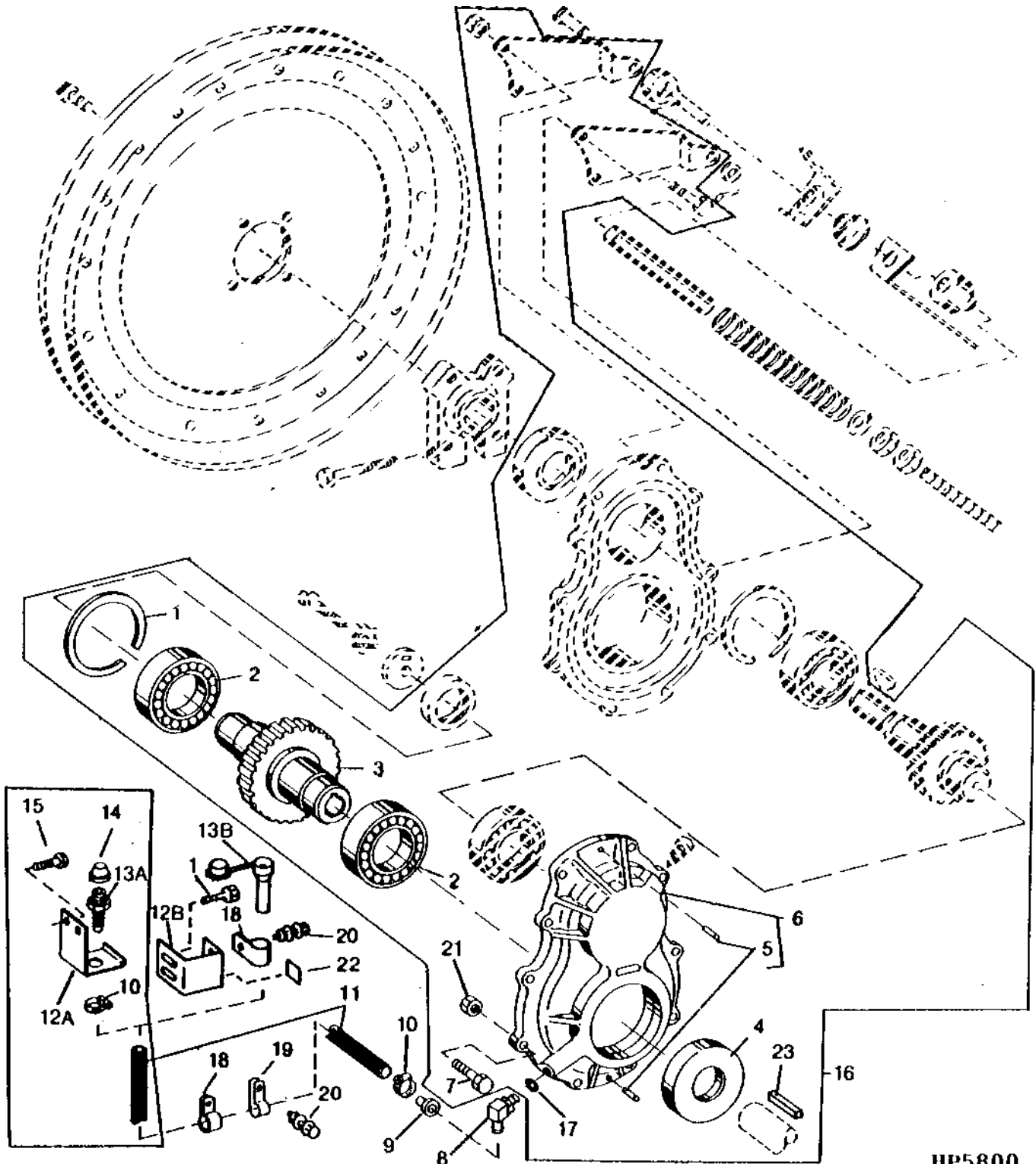
STRAW WALKER DRIVE GEARCASE - CONTINUED

KEY	PART NO.	PART NAME	QTY	YEAR	REMARKS
1	14M7298	FLANGE NUT	10		M8
2	H129312	ARM	2		
3	45M7084	PIN	1		12 X 35 MM
4	H129311	EYEBOLT	1		
5	24M7047	WASHER	1		13 X 24 X 2.500 MM
6	19M8317	SCREW	2		M8 X 40
7	11M7015	COTTER PIN	1		3.200 X 25 MM
8	H129207	PIVOT	1		
9	H135512	GAUGE	1		
10	H135395	SPACER	1		
11	H134359	HOSE	1		(SUB TY22329) CUT TO LENGTH
12	H86783	SPRING	1		
13	24M7180	WASHER	1		13 X 37 X 3 MM
14	14M7275	NUT	2		M12
15	19M7784	SCREW	4		M10 X 20
16	AH122863	SHEAVE	1		
17	19M7663	CAP SCREW	1		M8 X 70
18	H134760	HUB	1		
19	AR90861	SEAL	1		
20	AH125653	GEAR CASE	1	-631038	(SUB AH135573)
	AH135573	GEAR CASE	1		GEARCASE W/TWO MATCHED HALVES ONLY INCLUDES TWO 34M7038, ALSO REQS. AR90369 ELBOW AND R26375 O-RING
21	R62192	SNAP RING	1		
22	JD7686	BALL BEARING	2		
23	26M4228	SHAFT KEY	1		8 X 28 MM (0.315" X 1.102") WOODRUFF
24	H114134	PINION	1		
25	U14273	BREATHER	1		
26	AH111970	SEAL	1		
27A	H135622	WASHER	1	-665534	
27B	N134803	WASHER	1	665535-	
28A	H135623	WASHER	1	-665534	
28B	N134803	WASHER	1	665535-	
29	H135511	SCREW	1	-665534	
	H155973	SCREW	1	665535-	
30	AH134869	GEAR CASE	1	-631038	(SUB AH135572)
	AH135572	GEAR CASE	1		(SUB AH162469) GEARCASE WITH TWO MATCHED HALVES AND COMPLETE INTERNAL PARTS. REQS. AR90369 ELBOW AND R26375 O-RING
	AH162469	GEAR CASE	1		

6H1

DRIVES

STRAW WALKER DRIVE GEARCASE
HP5800 -UN-01JAN94



HP5800

6H2

DRIVES

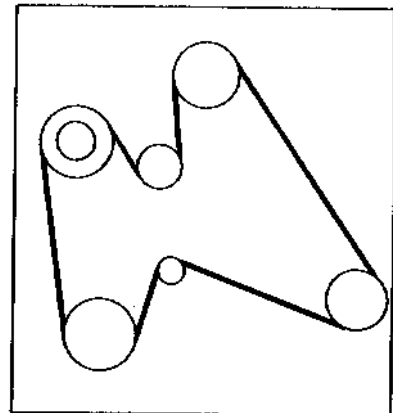
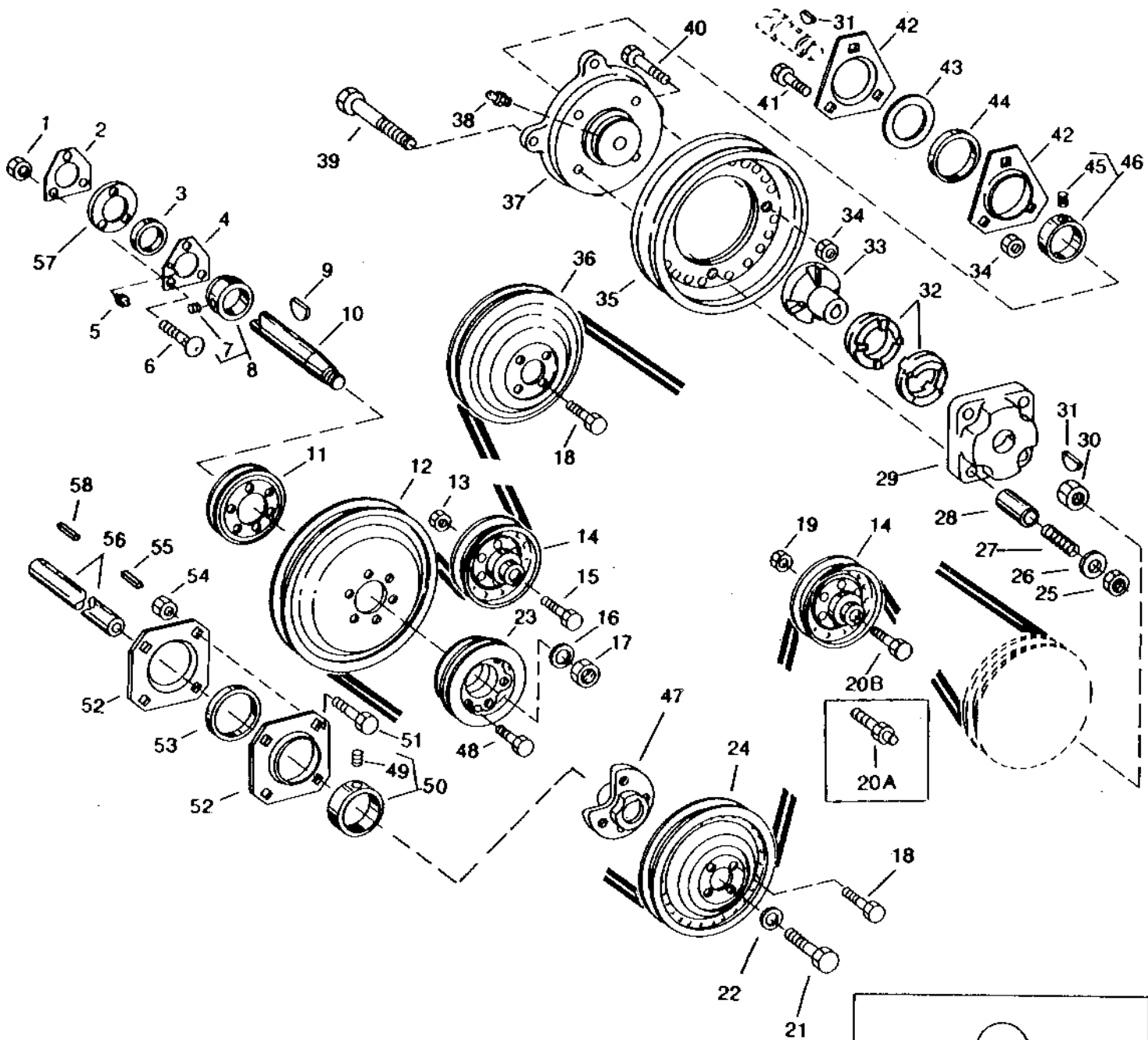
STRAW WALKER DRIVE GEARCASE - CONTINUED

KEY	PART NO.	PART NAME	QTY	SERIAL NO.	REMARKS
1	BP13620	SNAP RING	1		
2	JD10011	BALL BEARING	2		
3	H114100	GEAR	1		
4	AH111971	SEAL	1		
5	34M7038	SPRING PIN	2		6 X 20 MM
6	AH125653	GEAR CASE	1	-631038	(SUB AH135573)
	AH135573	GEAR CASE	1	631039-	GEARCASE W/TWO MATCHED HALVES ONLY INCLUDES TWO 34M7038, ALSO REQS. AR90369 ELBOW AND R26375 O-RING
7	19M7868	SCREW	8		M8 X 30
8	15H622	ELBOW FITTING	1	-631038	
	AR90369	ELBOW FITTING	1	631039-	
9	N195027	ADAPTER	1	-631038	
10	AR21837	CLAMP	2	-660320	(SUB TY22465) FOR BLACK HOSE -ONE CLAMP W/ CLEAR HOSE
	TY22465	HOSE CLAMP	2		
11	H133408	HYDRAULIC HOSE	1	-635970	
	H142055	LINE	1	635971-	
12A	H133409	HOSE SUPPORT	1	-635970	
12B	H143420	STOP	1	635971-	
13	N117501	HOSE FITTING	1	-635797	(SUB M86958)
	M73346	OIL TUBE	1	635798-	
14	15H582	FITTING	1		
15	37M7083	SCREW	2		M8 X 12, FOR H133409 HOSE SUPPORT
	37M7058	SCREW	2		M8 X 20 FOR H143420 STOP
16	AH134869	GEAR CASE	1	-631038	(SUB AH135572)
	AH135572	GEAR CASE	1		(SUB AH162469) GEARCASE W/TWO HALVES AND COMPLETE INTERNAL PARTS. REQS. AR90369 ELBOW AND R26375 O-RING
	AH162469	GEAR CASE	1		
17	R26375	O-RING	1	631039-	
18	T38377	CLIP	1	635798-	FOR BLACK HOSE ON STRAW WALKER GEARBOX
19	T76719	CLAMP	2	635798-640100	FOR CLEAR HOSE ON STRAW WALKER GEARBOX
20	19M7867	SCREW	2		M8 X 25
	14M7298	FLANGE NUT	2		M8
21	14M7298	FLANGE NUT	10		M8
22	H143421	DECAL	1	636900-640100	(SUB H145706) ALIGN TO BOTTOM EDGE
	H145706	LABEL	1		
23	H138344	SHAFT KEY	1		

6H3

DRIVES

STRAW WALKER, CONVEYOR AUGERS, SIEVE AND CHAFFER DRIVE
HP4591 -UN-01JAN94



HP4591

6H4

DRIVES

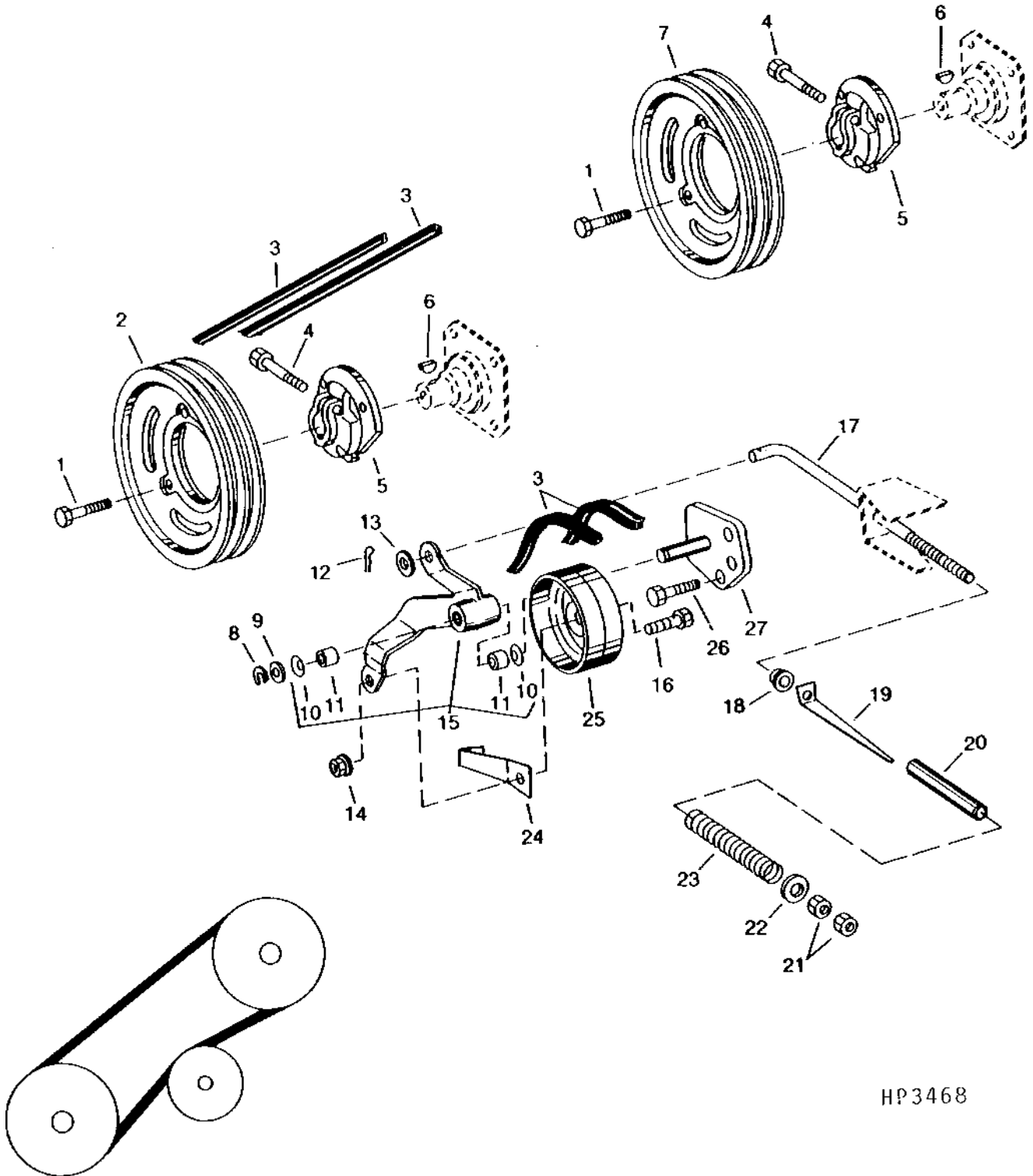
STRAW WALKER, CONVEYOR AUGERS, SIEVE AND CHAFFER DRIVE - CONTINUED

KEY	PART NO.	PART NAME	QTY	SERIAL NO.	REMARKS
1	14M7296	FLANGE NUT	3		M10
2	H135410	PRESSED FLANGED HOUSING	1		
3	AH139296	BALL BEARING	1		
4	AH129420	PRESSED FLANGED HOUSING	1		
5	JD7846	LUBRICATION FITTING	1		
6	03M7191	BOLT	3		M10 X 25
7	22M7081	SET SCREW	1		M10 X 10
8	AH133191	ECCENTRIC LOCKING COLLAR	1		
9	26M6787	SHAFT KEY	1	-665120	10 X 32 MM, WOODRUFF
	H153524	KEY	1	665121-	WOODRUFF (HARDENED)
10	H132208	JACKSHAFT	1		
11	H131170	SHEAVE	1		
12	AH104783	PULLEY	1		
13	14M7291	FLANGE NUT	1		M16
14	AH94450	IDLER	2		
15	19M7824	SCREW	1		M16 X 60
16	24M7091	WASHER	1		26 X 44 X 4 MM
17	14M7413	LOCK NUT	1		M24
18	19M7784	SCREW	8		M10 X 20
19	14M7291	FLANGE NUT	1		M16
20A	H134463	STUD	1	-640100	
20B	19M7824	SCREW	1	640101-	M16 X 60
21	19M7283	CAP SCREW	2		M16 X 35
22	T119912	WASHER	2		16.662 X 41.148 X 6.350 MM
23	H129101	SHEAVE	1	-640100	
	H142143	SHEAVE	1	640101-	
24	AH126188	SHEAVE	1		
25	14M7400	LOCK NUT	4		M10
26	24M7101	WASHER	4		11 X 34 X 3 MM, (SUB FOR (4) 24H1730)
27	R56722	SPRING	4		
28	H87206	SPACER	4		
29	H89525	RETAINER	1		
30	14M7300	FLANGE NUT	1		M20
31	26M4226	SHAFT KEY	1		5 X 19 MM WOODRUFF
32	H128265	SLIP CLUTCH	2		
33	H131098	HUB	1		
34	14M7296	FLANGE NUT	4		M10
35	AH126094	SHEAVE	1		
36	AH122863	SHEAVE	1		
37	H135423	HUB	1		
38	JD7797	LUBRICATION FITTING	1		
39	19M8166	CAP SCREW	4		M10 X 110
40	19M7786	SCREW	4		M10 X 30
41	03M7191	BOLT	3		M10 X 25
42	E10018	PRESSED FLANGED HOUSING	2		
43	H102533	SHIM	2	-640407	
	H102533	SHIM	5	640408-	
44	AH129451	BALL BEARING	1		
45	SET SCREW	1		
46	AH129452	ECCENTRIC LOCKING COLLAR	1		
47	H133603	HUB	1		
48	19M7810	SCREW	6		M10 X 80
49	22M7081	SET SCREW	2		M10 X 10
50	AL14674	ECCENTRIC LOCKING COLLAR	2		
51	03M7197	BOLT	8	-640290	M12 X 25
	03M7198	BOLT	8	640291-	M12 X 30
52	H133621	PRESSED FLANGED HOUSING	4		
53	JD39109	BALL BEARING	2		
54	14M7299	FLANGE NUT	16		M12
55	SHAFT KEY	1		M6 X 50 MM (CUT FROM H150268)
56	H133598	SHAFT	1		CLEANING SHOE SHAFT
57	H105578	SHIM	1		
58	SHAFT KEY	1		M6 X 100 (CUT FROM H150268)
..	H131169	BELT	1		

6H5

DRIVES

BEATER DRIVE, SHEAVES AND TIGHTENER
HP3468 -UN-01JAN94



HP3468

6H6

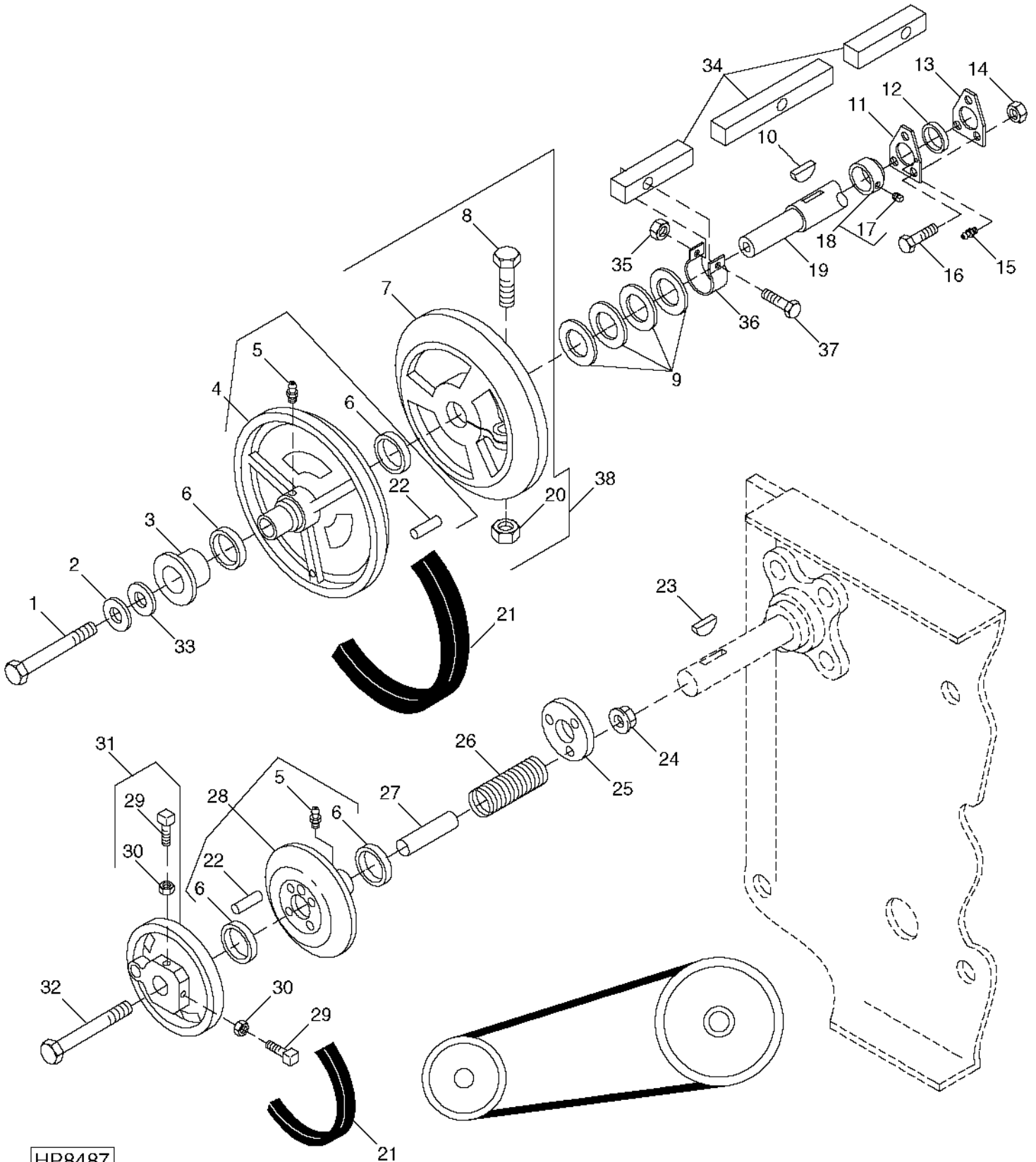
DRIVES

BEATER DRIVE, SHEAVES AND TIGHTENER - CONTINUED

KEY	PART NO.	PART NAME	QTY	SERIAL NO.	REMARKS
1	19M7785	SCREW	6		M10 X 25
2	H125558	SHEAVE	2		FOR 100 PERCENT BEATER DRIVE
	H135849	SHEAVE	1		FOR 75 PERCENT BEATER DRIVE
3	AH120918	BELT	1	-640100	FOR 100° BEATER DRIVE, (SUB AH139436)
	AH139436	BELT SET	1		FOR 100° BEATER DRIVE
	AH131960	BELT	1		(SUB AH163931) FOR 75° BEATER DRIVE
	AH163931	BELT	1		FOR 75° BEATER DRIVE
4	19M7808	SCREW	2		M10 X 65
5	H128327	HUB	2		
6	26M6787	SHAFT KEY	2		10 X 32 MM
7	H135850	SHEAVE	1		FOR 75 PERCENT BEATER DRIVE
8	P46402	SNAP RING	1		
9	24M7091	WASHER	1		26 X 44 X 4 MM
10	AA5607R	SEAL	2		
11	H99147	BUSHING	2		(SUB H171061)
	H171061	BEARING	2		
12	11M7021	COTTER PIN	1		4 X 25 MM
13	24M7047	WASHER	1		13 X 24 X 2.500 MM
14	14M7299	FLANGE NUT	1		M12
15	AH131508	ARM	1		
16	19M7817	SCREW	1		M12 X 70
17	H125560	BOLT	1		
18	H129207	PIVOT	1		
19	H114379	GAUGE	1	-665282	
	H140944	GAUGE	1	665283-	
20	H116916	HOSE	1		(SUB TY22326) CUT TO LENGTH
21	14M7275	NUT	2		M12
22	24M7180	WASHER	1		13 X 37 X 3 MM
23	H82418	SPRING	1		
24	H94386	BRACKET	2		
25	AH111447	IDLER	1	-645451	(SUB AH141762)
	AH141762	IDLER	1		
26	19M7784	SCREW	3		M10 X 20
27	AH109197	PIN	1	-27MAY7	
	AH156051	SPRING PIN	1	27MAY7-	
..	BH78623	COMPLETE GOODS/SHIP. BUNDLE	1		75 PERCENT BEATER DRIVE

6H7

SEPARATOR FAN DRIVE
HP8487 -UN-20APR99



HP8487

6H8

DRIVES

SEPARATOR FAN DRIVE - CONTINUED

KEY	PART NO.	PART NAME	QTY	SERIAL NO.	REMARKS
1	19M7786	SCREW	1		M10 X 30
2	24H1314	WASHER	1		13/32" X 1-3/4" X 7/64"
3	AH124050	THROW-OUT BEARING	1		
4	AH127496	SHEAVE	1	-670100	401 MM O.D.(750-1350 RPM)
	AH131979	SHEAVE	1	670100-	289 MM O.D. (490-980 RPM) OPT.
	AH146463	HALF SHEAVE	1	670101-	401 MM O.D. (750-1350 RPM)
	AH146506	HALF SHEAVE	1	670101-	(SUB AH153040) 289 MM O.D. (490-980 RPM) OPT
	AH153040	SHEAVE	1		289 MM O.D.(490-980 RPM)OPT.
5	JD7759	LUBRICATION FITTING	2		
6	AH14080	SEAL	4		
7	H132298	SHEAVE	1	-655105	401 MM O.D. (750-1350 RPM) (SUB AH134873)
	H137266	SHEAVE	1	-670100	289 MM O.D. (490-980 RPM) OPT.
	AH149357	HALF SHEAVE	1	670101-	289 MM O.D. (490-980 RPM) OPT.
8	19M8112	SCREW	1		M12 X 55
9	24H1512	WASHER	8		1-13/32" X 2" X 0.032"
10	26M6787	SHAFT KEY	1	-665120	10 X 32 MM, WOODRUFF
	H153524	KEY	1	665121-	WOODRUFF (HARDENED)
11	AH129420	PRESSED FLANGED HOUSING	1		
12	AH139296	BALL BEARING	1		
13	H135410	PRESSED FLANGED HOUSING	1		
14	14M7296	FLANGE NUT	3		M10
15	JD7846	LUBRICATION FITTING	1		
16	03M7191	BOLT	3		M10 X 25
17	22M7081	SET SCREW	1		M10 X 10
18	AH133191	ECCENTRIC LOCKING COLLAR	1		
19	H132208	JACKSHAFT	1		
20	14M7299	FLANGE NUT	1		M12
21	H137264	BELT	1	-670100	(490-980 RPM) OPT. SPEED
	H140404	BELT	1	-670100	(SUB FOR H135417) (750-1350 RPM) STD. SPEED
	H152146	BELT	1	670101-	(750-1350 RPM) STD. SPEED
	H152180	BELT	1	670101-	(490-980 RPM) OPT. SPEED
22	H100796	SPRING PIN	2		
23	26M6731	SHAFT KEY	1		6 X 25 MM
24	14M7396	LOCK NUT	4		M8
25	H135599	WASHER	1		
26	H93399	SPRING	4		
27	H133489	BUSHING	4		
28	AH131248	SHEAVE	1	-670100	
	AH146461	HALF SHEAVE	1	670101-	
29	H138435	SET SCREW	2		M10 X 25
30	14M7152	NUT	2		M10
31	AH131249	SHEAVE	1	-670100	
	AH146462	HALF SHEAVE	1	670101-	
32	19M7873	SCREW	4		M8 X 110
33	24H1307	WASHER	AR		13/32" X 1" X 1/16"
34	H137817	STRIPPER	1		
35	14M7397	LOCK NUT	6		M6
36	H137815	CLAMP	6		
37	19M7862	SCREW	6		M6 X 20
38	AH134873	SHEAVE	1	-670100	INCLUDES KEYS 7, 8 AND 20
	AH149356	HALF SHEAVE	1	670101-	(INCLUDES KEY 7, 8 AND 20)
..	AH138893	KIT	1	-640100	(SUB (2) H137817)
..	AH138895	KIT	1	-640100	(SUB (2) H137817)
..	H137817	STRIPPER	2		
..	BH78358	COMPLETE GOODS/SHIP. BUNDLE	1		SLOW SPEED FAN DRIVE (-670100)
..	BH81191	COMPLETE GOODS/SHIP. BUNDLE	1		SLOW SPEED FAN DRIVE (670101-)

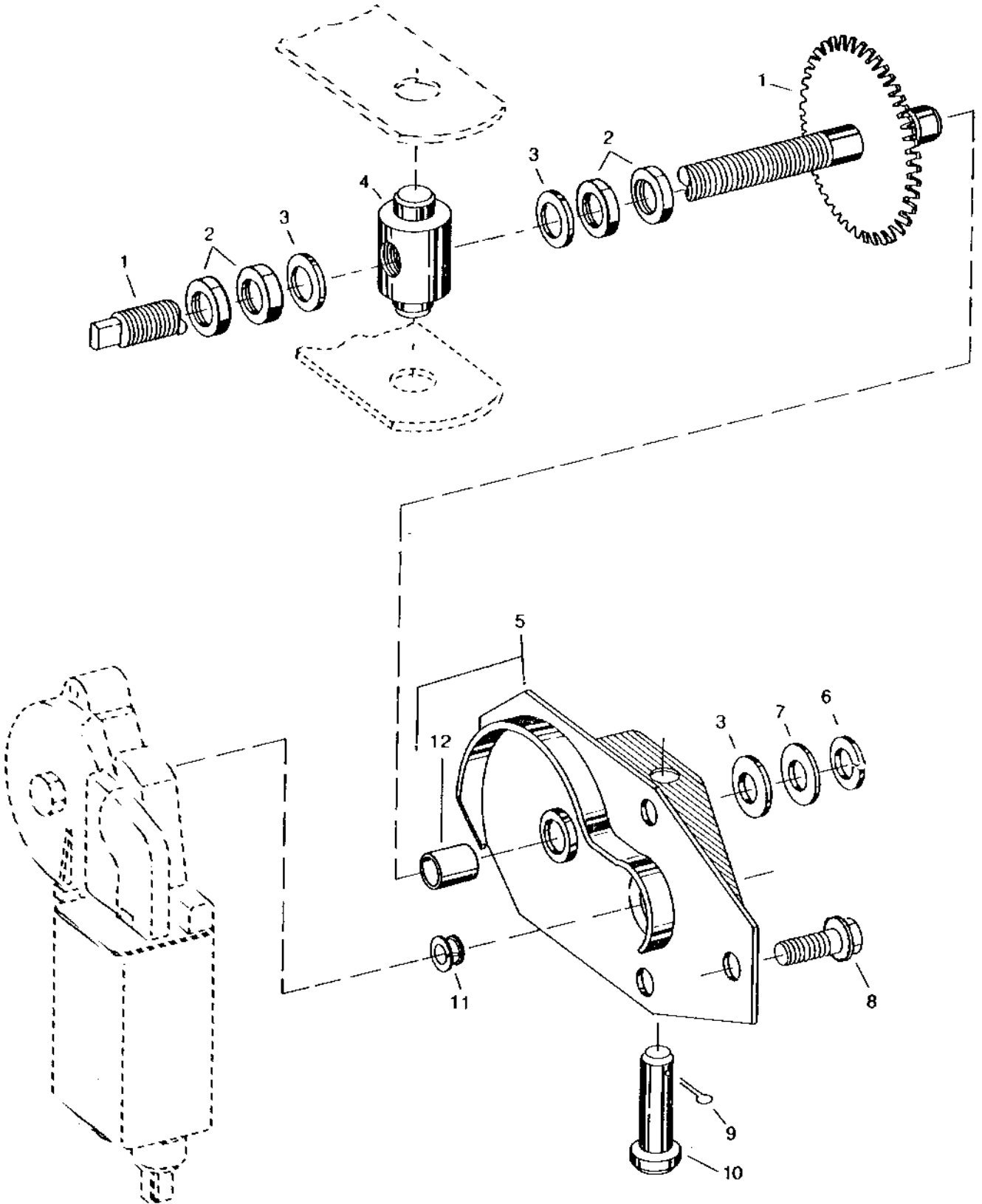
6H9

DRIVES

FAN DRIVE SPEED CONTROL LINKAGE

(-640100)

HP3783 -UN-01JAN94



HP3783

6H10

DRIVES

FAN DRIVE SPEED CONTROL LINKAGE - CONTINUED
(-640100)

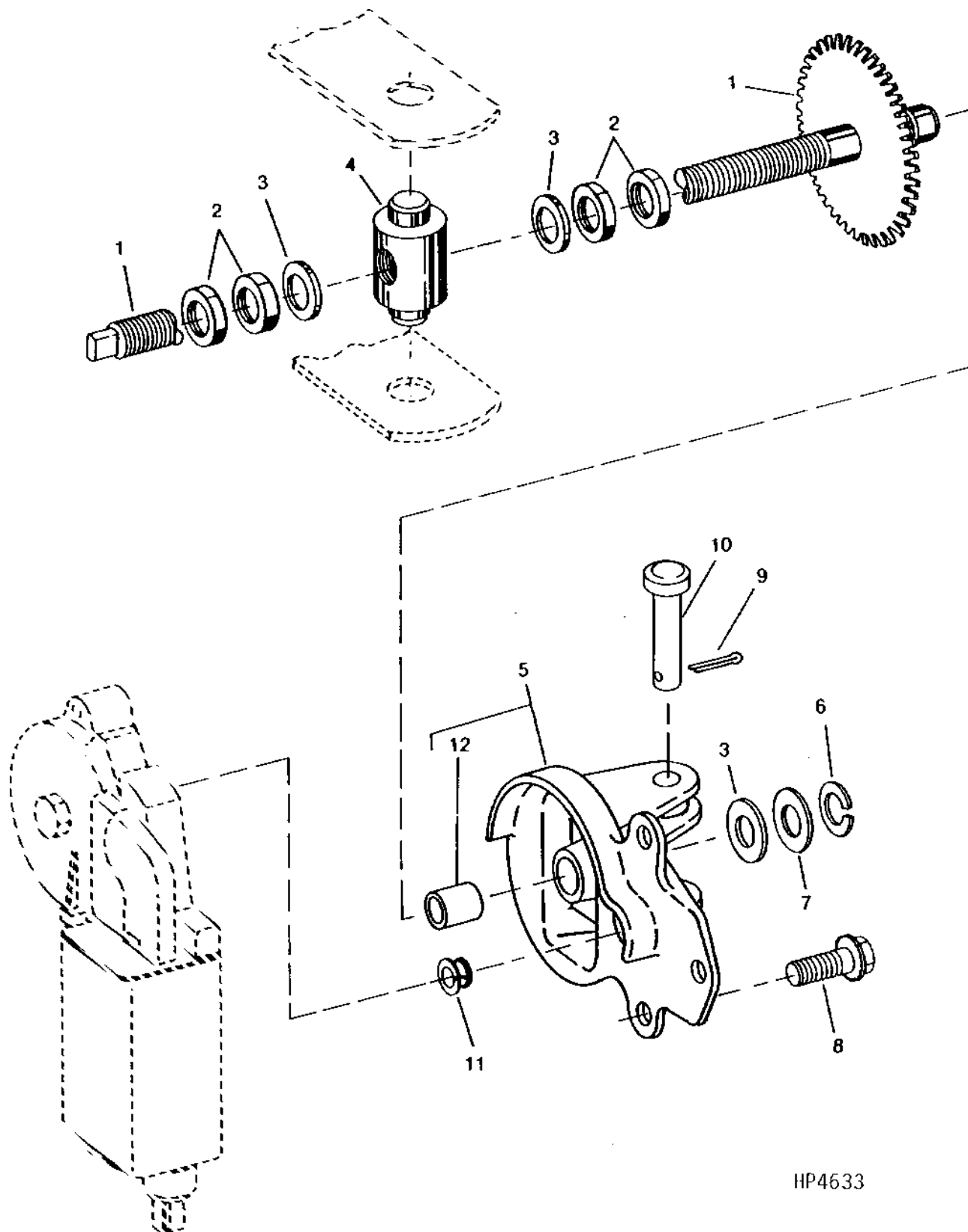
KEY	PART NO.	PART NAME	QTY	SERIAL NO.	REMARKS
1	AH128384	SHAFT	1		
2	14M7382	NUT	4	M16	
3	H140397	THRUST WASHER	3		
4	H133199	TRUNNION	1		
5	AH128383	SUPPORT	1	-640100	(SUB AH128385)
	AH128385	SUPPORT	1	-655100	(SUB AH143904)
	AH143904	SUPPORT	1		
6	H25099	SNAP RING	1		
7	H139132	SPACER	3		
8	N14820	SELF-LOCKING SCREW	2	-655100	6.350 X 12.700 MM (1/4" X 1/2")
	19M8321	SCREW	3	655101-	M6 X 45
	14M7303	FLANGE NUT	3	655101-	M6
9	11M7059	COTTER PIN	1		3.200 X 20 MM
10	45M7049	PIN	1		12 X 65 MM, (SUB 45M7045)
	45M7045	PIN	1		12 X 90 MM
11	H89515	WASHER	1		
12	H91788	BUSHING	1		

6H11

FAN DRIVE SPEED CONTROL LINKAGE

(640101-655100)

HP4633 -UN-01JAN94



HP4633

6H12

DRIVES

**FAN DRIVE SPEED CONTROL LINKAGE - CONTINUED
(640101-655100)**

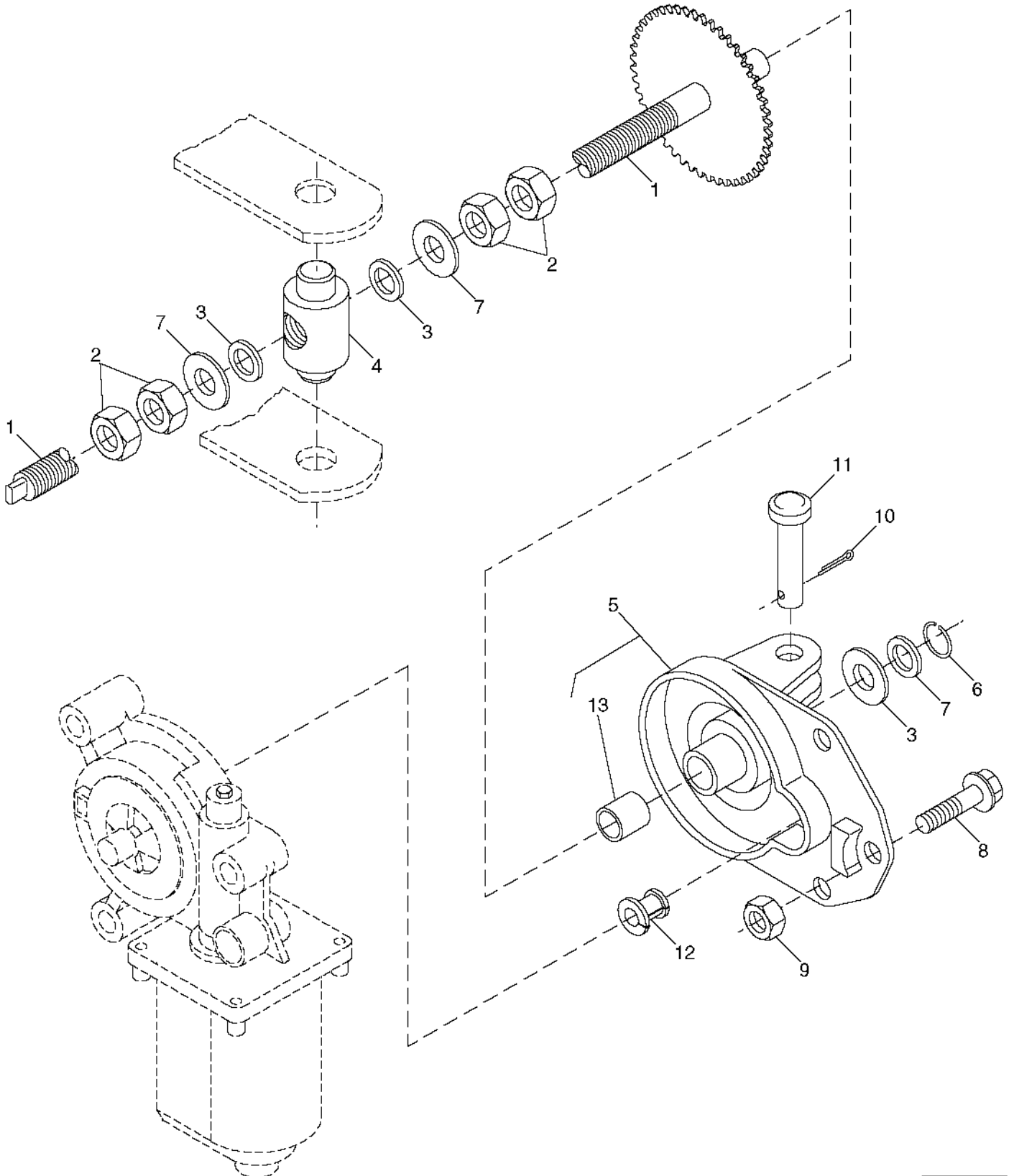
KEY	PART NO.	PART NAME	QTY	SERIAL NO.	REMARKS
1	AH128384	SHAFT	1		
2	14M7382	NUT	4	M16	
3	H140397	THRUST WASHER	3		
4	H133199	TRUNNION	1		
5	AH128385	SUPPORT	1		
6	H25099	SNAP RING	1		
7	H139132	SPACER	3		
8	N14820	SELF-LOCKING SCREW	2	6.350 X 12.700 MM (1/4" X 1/2")	
9	11M7059	COTTER PIN	1		
10	45M7049	PIN	1	12 X 65 MM, (SUB 45M7045)	
	45M7045	PIN	1	12 X 90 MM	
11	H89515	WASHER	1		
12	H91788	BUSHING	1		

6H13

DRIVES

FAN DRIVE SPEED CONTROL LINKAGE

(655101-)
HP7550 -UN-16AUG99



HP7550

6H14

DRIVES

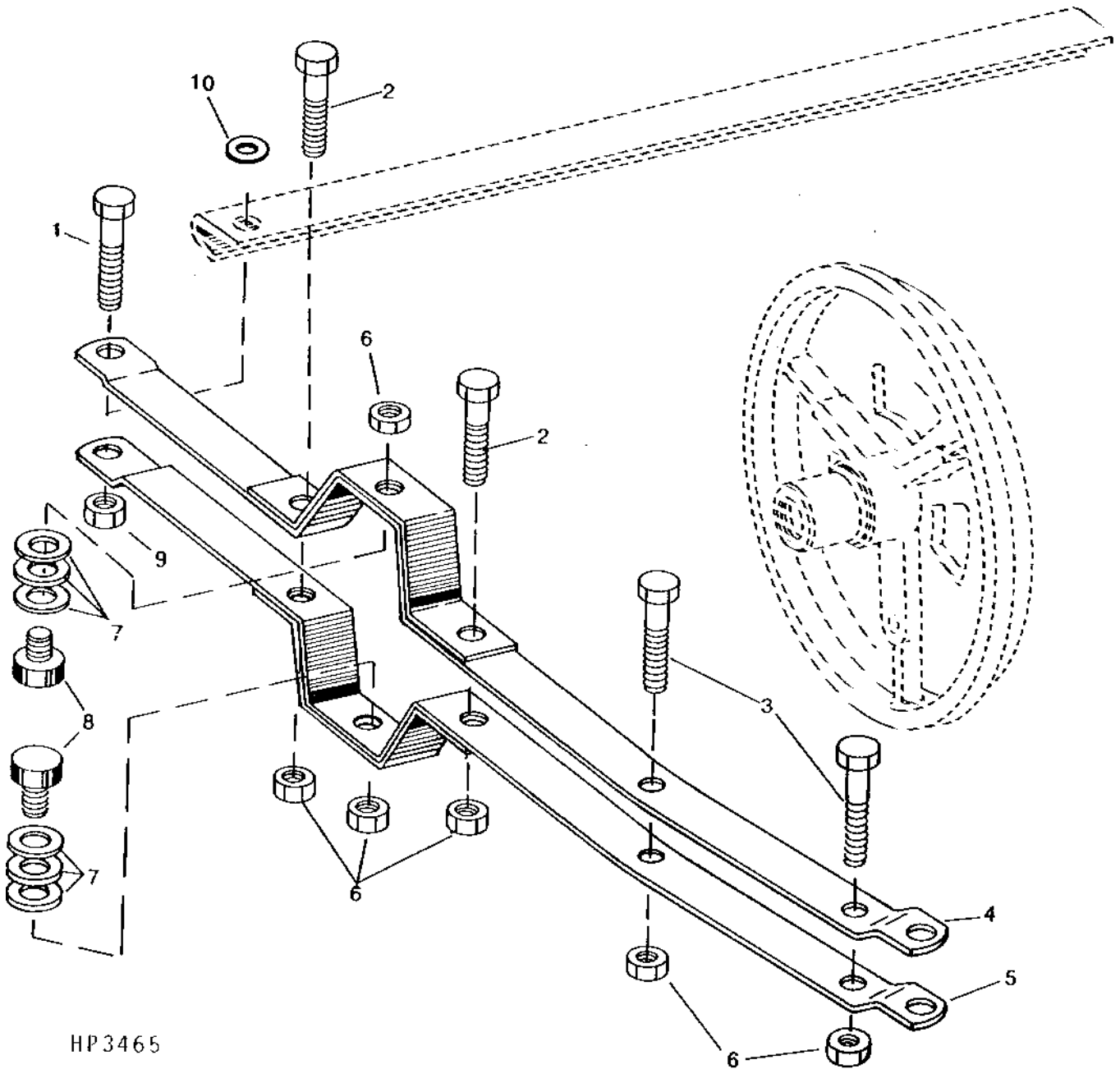
FAN DRIVE SPEED CONTROL LINKAGE - CONTINUED
(655101-)

KEY	PART NO.	PART NAME	QTY	SERIAL NO.	REMARKS
1	AH128384	SHAFT	1		
2	14M7382	NUT	4		M16
3	H140397	THRUST WASHER	3		
4	H133199	TRUNNION	1		
5	AH143904	SUPPORT	1		
6	H25099	SNAP RING	1		
7	H139132	SPACER	3		
8	19M8321	SCREW	3		M6 X 45
9	14M7303	FLANGE NUT	3	-655199	M6, (SUB (3) 14M7165)
	14M7165	LOCK NUT	3		M6
10	11M7059	COTTER PIN	1		3.200 X 20 MM
11	45M7045	PIN	1		12 X 90 MM
12	H89515	WASHER	1		
13	H91788	BUSHING	1		

6H15

DRIVES

FAN DRIVE SPEED CONTROL SHEAVE LINKAGE
HP3465 -UN-01JAN94



HP3465

6H16

DRIVES

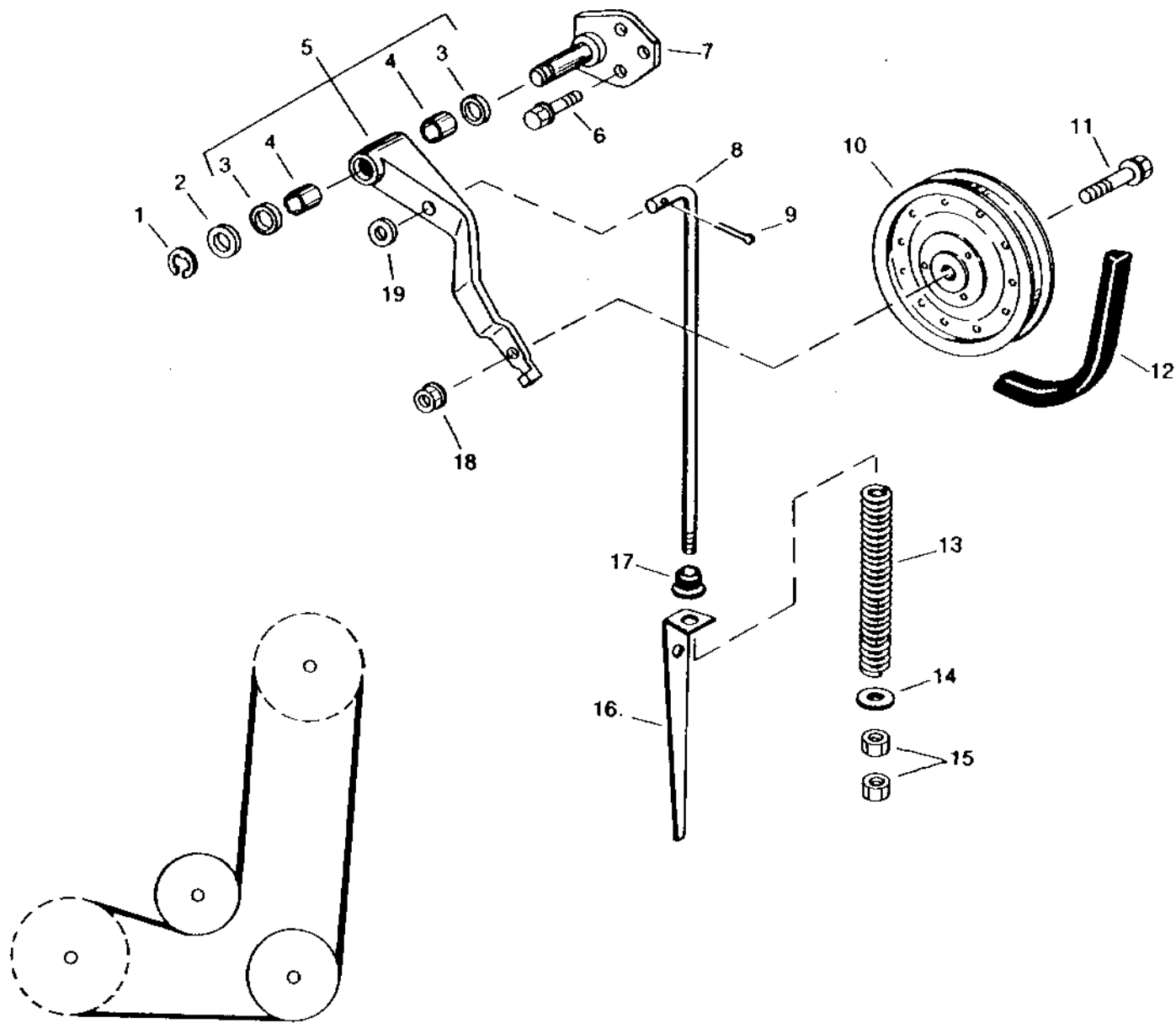
FAN DRIVE SPEED CONTROL SHEAVE LINKAGE - CONTINUED

KEY	PART NO.	PART NAME	QTY	SERIAL NO.	REMARKS
1	19M7868	SCREW	1		M8 X 30
2	19M7790	SCREW	2		M12 X 35
3	19M7788	SCREW	2		M12 X 25
4	AH134729	ARM	1		
5	AH134730	ARM	1		
6	14M7299	FLANGE NUT	6		M12
7	24H1882	WASHER	6		17/32" X 3/4" X 0.060"
8	19M8127	SCREW	2	-640684	M12 X 30
	19M8169	SCREW	2	640685-	M12 X 30
9	14M7298	FLANGE NUT	1		M8
10	28H1511	WASHER	1		0.364" X 0.540" X 1/4"

6H17

FEEDER HOUSE DRIVE TIGHTENER

HP3469 -UN-01JAN94



HP3469

6H18

DRIVES

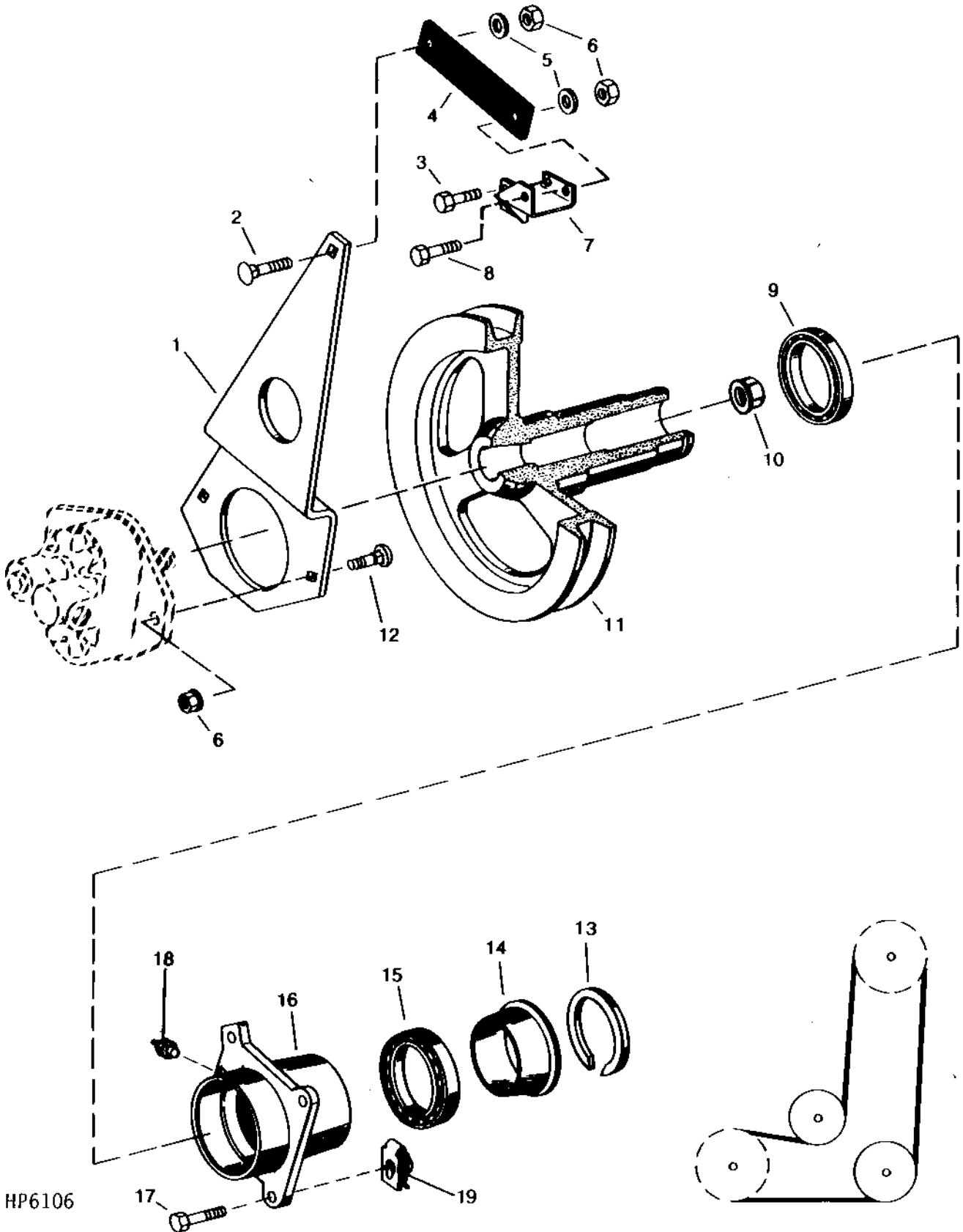
FEEDER HOUSE DRIVE TIGHTENER - CONTINUED

KEY	PART NO.	PART NAME	QTY	SERIAL NO.	REMARKS
1	P46402	SNAP RING	1		
2	24M7091	WASHER	1		26 X 44 X 4 MM
3	AA5607R	SEAL	2		
4	H99147	BUSHING	2		(SUB H171061)
	H171061	BEARING	2		
5	AH128903	ARM	1		
6	19M7784	SCREW	3		M10 X 20
7	AH109197	PIN	1	-27MAY7	
	AH156051	SPRING PIN	1	27MAY7-	
8	H126169	BOLT	1		
9	11M7028	COTTER PIN	1		5 X 32 MM
10	AH94450	IDLER	1		
11	19M8046	CAP SCREW	1		M16 X 70
12	H125565	BELT	1	-635750	
	H140160	BELT	1	635751-	
13	N61654	SPRING	1		
14	24H1373	WASHER	1		21/32" X 1-9/16" X 0.180"
15	14M7276	NUT	2		M16
16	H116862	GAUGE	1		
17	H129208	PIVOT	1		
18	14M7291	FLANGE NUT	1		M16
19	24M7053	WASHER	1		17 X 30 X 3 MM

6H19

DRIVES

REEL / BELT PICKUP CHARGE PUMP MOUNTING AND SHEAVE
HP6106 -UN-27JUN95



HP6106

6H20

DRIVES

REEL / BELT PICKUP CHARGE PUMP MOUNTING AND SHEAVE - CONTINUED

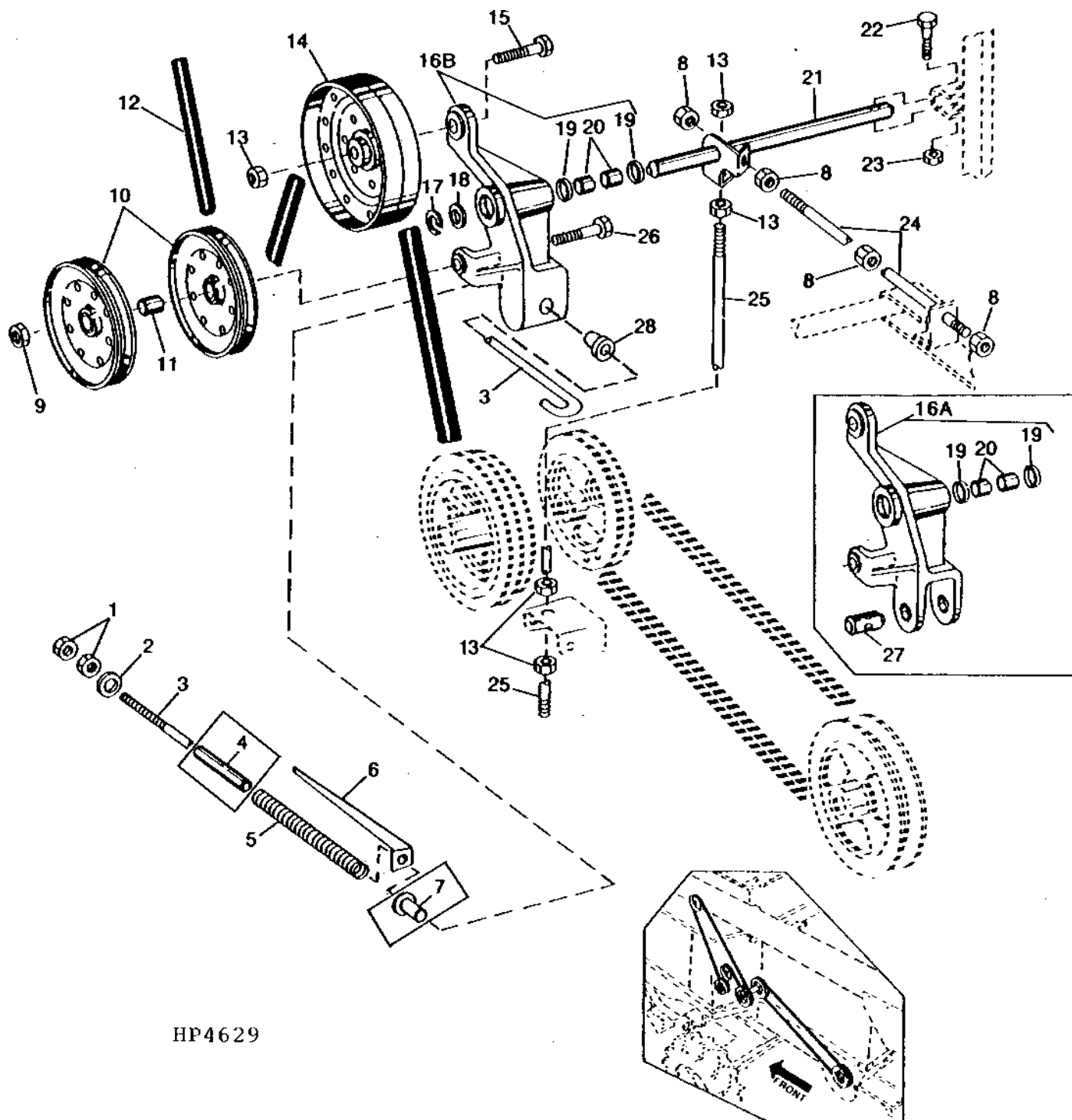
KEY	PART NO.	PART NAME	QTY	SERIAL NO.	REMARKS
1	H128098	ARM	1		
2	03M7185	BOLT	1		M8 X 25
3	19M7865	SCREW	4		M8 X 16 (NOT FOR USE WITH MUDSHIELD)
4	H78340	STRAP	1		
5	24M7207	WASHER	2		8.400 X 24 X 2 MM
6	14M7298	FLANGE NUT	4	-655255	M8
	14M7396	LOCK NUT	2	655256-	M8
7	H128111	BRACKET	1		NOT FOR USE WITH MUDSHIELD
8	19M7867	SCREW	1		M8 X 25
9	JD10312	BALL BEARING	1		
10	E59406	FLANGE NUT	1		3/8"
11	H132937	SHEAVE	1		
12	03M7186	BOLT	2		M8 X 30
13	BP13616	SNAP RING	1		
14	B2984R	PLUG	1		
15	AZ20216	BALL BEARING	1		
16	H132938	HUB	1		
17	19M7785	SCREW	4		M10 X 25
18	JD7788	LUBRICATION FITTING	1		
19	H146457	NUT	4		10 MM (0.394")

6H21

DRIVES

STRAW CHOPPER DRIVES (FRONT)

HP4629 -UN-01JAN94



HP4629

6H22

DRIVES

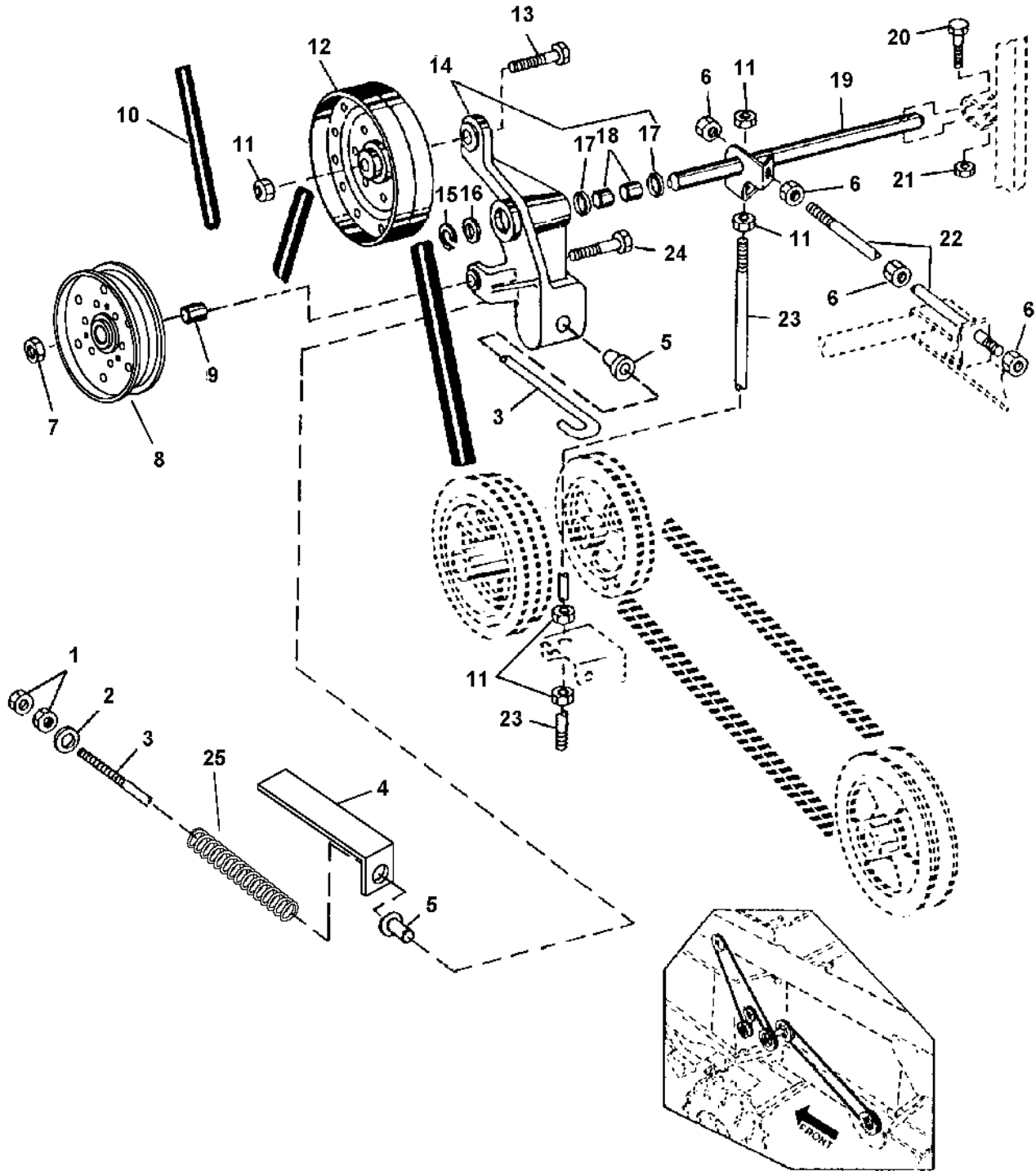
STRAW CHOPPER DRIVES (FRONT) - CONTINUED

KEY	PART NO.	PART NAME	QTY	SERIAL NO.	REMARKS
1	14M7275	NUT	2	M12	
	14M7276	NUT	2	M16	
2	24M7180	WASHER	1	13 X 37 X 3 MM	
	24H1106	WASHER	1	11/16" X 1-3/4" X 0.134"	
3	H141565	HOOK BOLT	1	-640100	(SUB H141673)
	H141673	BOLT	1		(USE WITH AH135342)
4	H116161	HOSE	1	-640100	(SUB TY22326) CUT TO LENGTH
5	H82418	SPRING	1	-640100	
6	H127923	GAUGE	1	-640100	
	H140944	GAUGE	1	640101-	
7	H141564	SPACER	1	-640100	(USE WITH H141565)
	H129208	PIVOT	1	640101-	(USE WITH H141673)
8	14M7276	NUT	4	M16	
9	14M7291	FLANGE NUT	1	M16	
10	AN15237	IDLER	2		
11	P50273	BUSHING	1		
12	H125380	BELT	1		
13	14M7299	FLANGE NUT	5	M12	
14	AH93318	IDLER	1		
15	19M7817	SCREW	1	-640100	M12 X 70
	19M7818	SCREW	1	640101-	M12 X 80
16A	AH128675	ARM	1	-640100	
16B	AH135342	ARM	1	640101-	REQUIRES H141673,H129208,H140944, 14M7276 AND 24H1106
17	P46402	SNAP RING	1		
18	24M7091	WASHER	1	26 X 44 X 4 MM	
19	AA5607R	SEAL	2		
20	H99147	BUSHING	2	(SUB H171061)	
	H171061	BEARING	2		
21	AH134319	PIN	1		
22	19M8292	SCREW	1	M10 X 50	
23	14M7296	FLANGE NUT	1	M10	
24	H139545	STUD	1		
25	H120198	STUD	1		
26	19M7845	SCREW	1	-640100	M16 X 90
	19M7828	SCREW	1	640101-	M16 X 100
27	H141563	PIVOT	1	-640100	
28	H129208	PIVOT	1	640101-	
..	BH79486	COMPLETE GOODS/SHIP. BUNDLE	1		STRAW CHOPPER PARTS
..	BH80153	COMPLETE GOODS/SHIP. BUNDLE	1		CORN CHOPPER WITH DRIVES

6H23

FINE CUT STRAW CHOPPER DRIVES (FRONT)

HP7616 -UN-31AUG98



HP7616

6H24

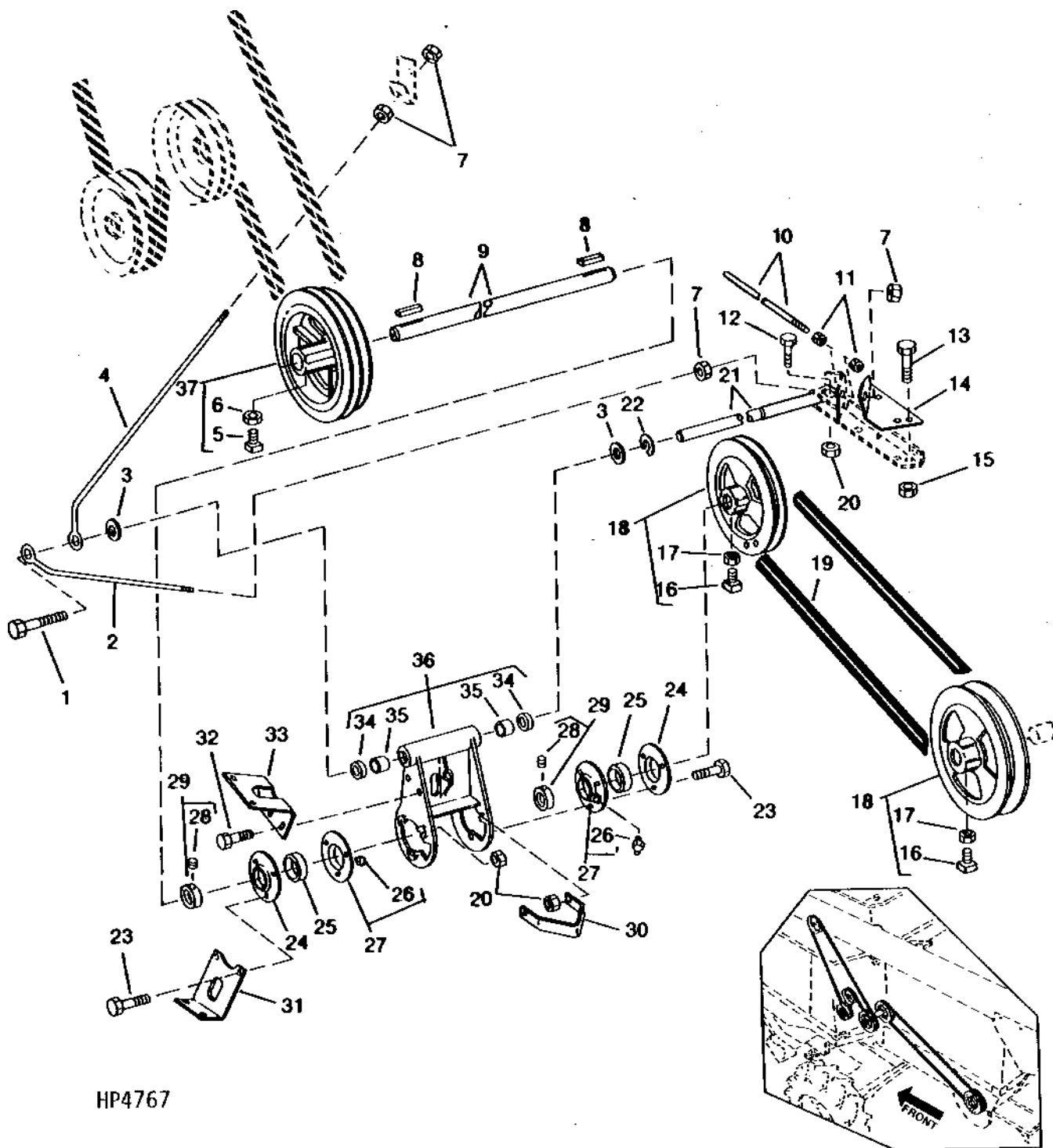
DRIVES

FINE CUT STRAW CHOPPER DRIVES (FRONT) - CONTINUED

KEY	PART NO.	PART NAME	QTY	SERIAL NO.	REMARKS
1	14M7276	NUT	2	M16	
2	24H1106	WASHER	1	11/16" X 1-3/4" X 0.134"	
3	H141673	BOLT	1	(USE WITH AH135342) (USE WITH AH135342 ARM)	
4	H155062	GAUGE	1	(SUB FOR H159956) (USE WITH R35542)	
5	H129208	PIVOT	1		
6	14M7276	NUT	4	M16	
7	14M7291	FLANGE NUT	1	M16	
8	AE22622	PULLEY	2		
9	N110219	BUSHING	1	16.256 X 31.750 X 12.700 MM (0.640" X 1-1/4" X 1/2")	
10	H157726	BELT	1		
11	14M7299	FLANGE NUT	5	M12	
12	AH93318	IDLER	1		
13	19M7818	SCREW	1		
14	AH135342	ARM	1	REQUIRES H141673,H129208,H140944 14M7276 AND 24H1106	
15	P46402	SNAP RING	1		
16	24M7091	WASHER	1	26 X 44 X 4 MM	
17	AA5607R	SEAL	2		
18	H99147	BUSHING	2	(SUB H171061)	
	H171061	BEARING	2		
19	AH134319	PIN	1		
20	19M8292	SCREW	1	M10 X 50	
21	14M7296	FLANGE NUT	1	M10	
22	H139545	STUD	1		
23	H120198	STUD	1		
25	H82418	SPRING	1		

STRAW CHOPPER DRIVES (REAR)

HP4767 -UN-01JAN94

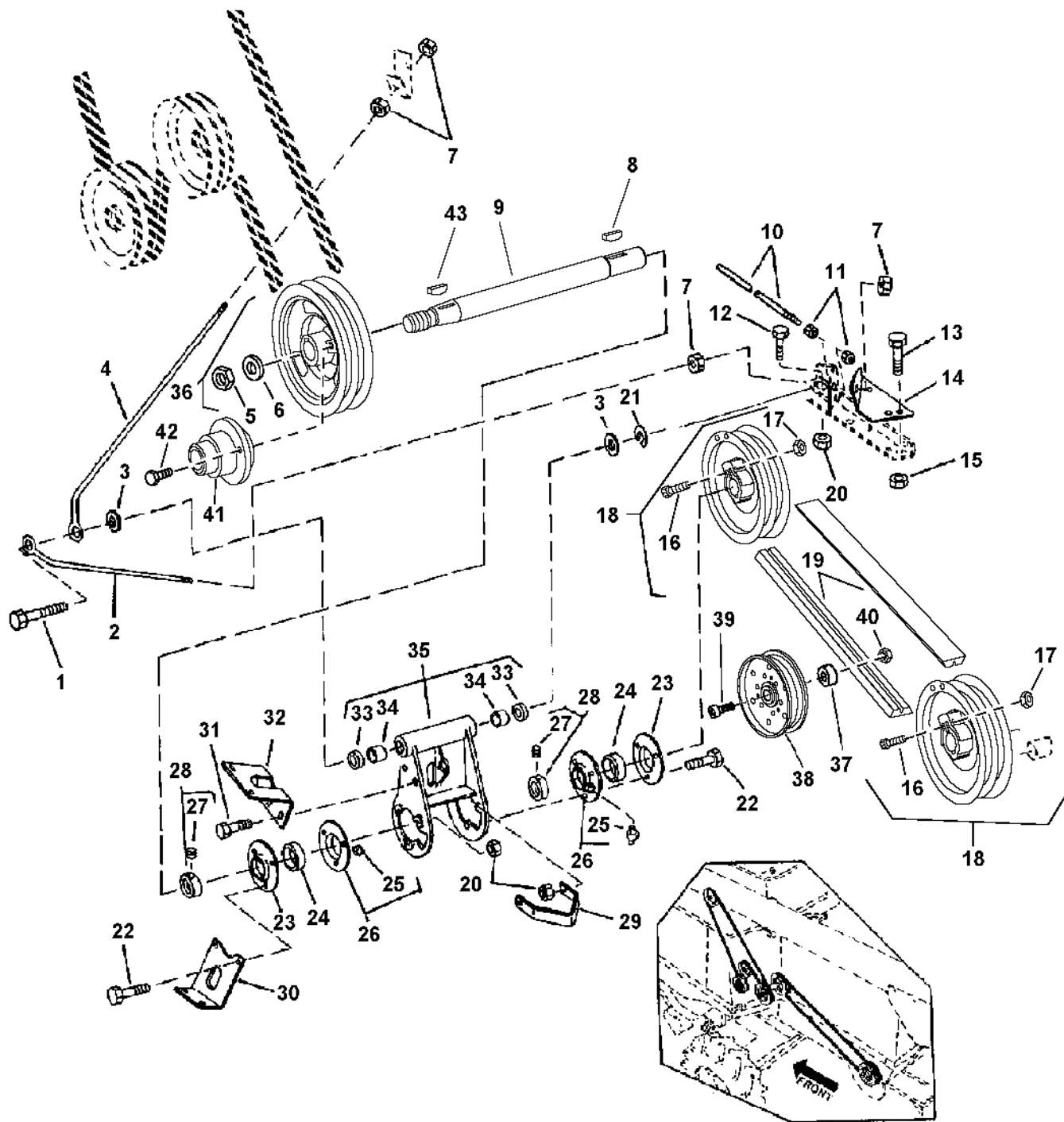


HP4767

STRAW CHOPPER DRIVES (REAR) - CONTINUED

KEY	PART NO.	PART NAME	QTY	SERIAL NO.	REMARKS
1	19M7815	SCREW	1		M12 X 60
2	H127907	EYEBOLT	1		
3	24M7091	WASHER	2		26 X 44 X 4 MM
4	H127906	EYEBOLT	1		
5	H138435	SET SCREW	2		M10 X 25
6	14M7152	NUT	2		M10
7	14M7291	FLANGE NUT	4		M16
8	H2383H	KEY	2		
9	H137570	JACKSHAFT	1		
10	H139545	STUD	1		
11	14M7276	NUT	2		M16
12	19M8292	SCREW	1		M10 X 50
13	19M7867	SCREW	2		M8 X 25
14	H133812	SUPPORT	1		
15	14M7298	FLANGE NUT	2		M8
16	H138435	SET SCREW	4		
17	14M7152	NUT	4		M10
18	AH119770	SHEAVE	2		
19	H101436	BELT	1	-640100	
	H27433	BELT	1	640101-	
	L4276N	BELT	1	-640100	
	E46113	BELT	1	640101-	
20	14M7296	FLANGE NUT	7		M10
21	H120194	PIN	1	-640100	
22	P43363	SNAP RING	1		
23	19M8162	CAP SCREW	6		M10 X 40
24	H135410	PRESSED FLANGED HOUSING	2		
25	JD39104	BALL BEARING	2		
26	JD7797	LUBRICATION FITTING	2		
27	AE30624	PRESSED FLANGED HOUSING	2	-670000	
	AH163686	PRESSED FLANGED HOUSING	2	670000-	
28	22M7081	SET SCREW	2		M10 X 10
29	AH133191	ECCENTRIC LOCKING COLLAR	2		
30	H129125	STRAP	1		
31	H132976	BRACKET	1		
32	19M7865	SCREW	2		M8 X 16
33	H132901	BRACKET	1		
34	AA5607R	SEAL	2		
35	H99147	BUSHING	2		(SUB H171061)
	H171061	BEARING	2		
36	AH136126	ARM	1		(SUB FOR AH128674) (SUB AH169220)
	AH169220	ARM	1		
37	AH127601	SHEAVE	1	-640100	
	AH127602	SHEAVE	1	640101-	
38	N60415	SPACER	1	640101-	
39	AH111447	IDLER	1	640101-	
	AH141762	IDLER	1		
40	19M7815	SCREW	1	640101-	
..	BH80153	COMPLETE GOODS/SHIP. BUNDLE	1		CORN CHOPPER WITH DRIVES
..	BH80124	COMPLETE GOODS/SHIP. BUNDLE	1		STRAW CHOPPER WITH DRIVES

FINE CUT STRAW CHOPPER DRIVES (REAR)
 HP7617 -UN-31AUG98



HP7617

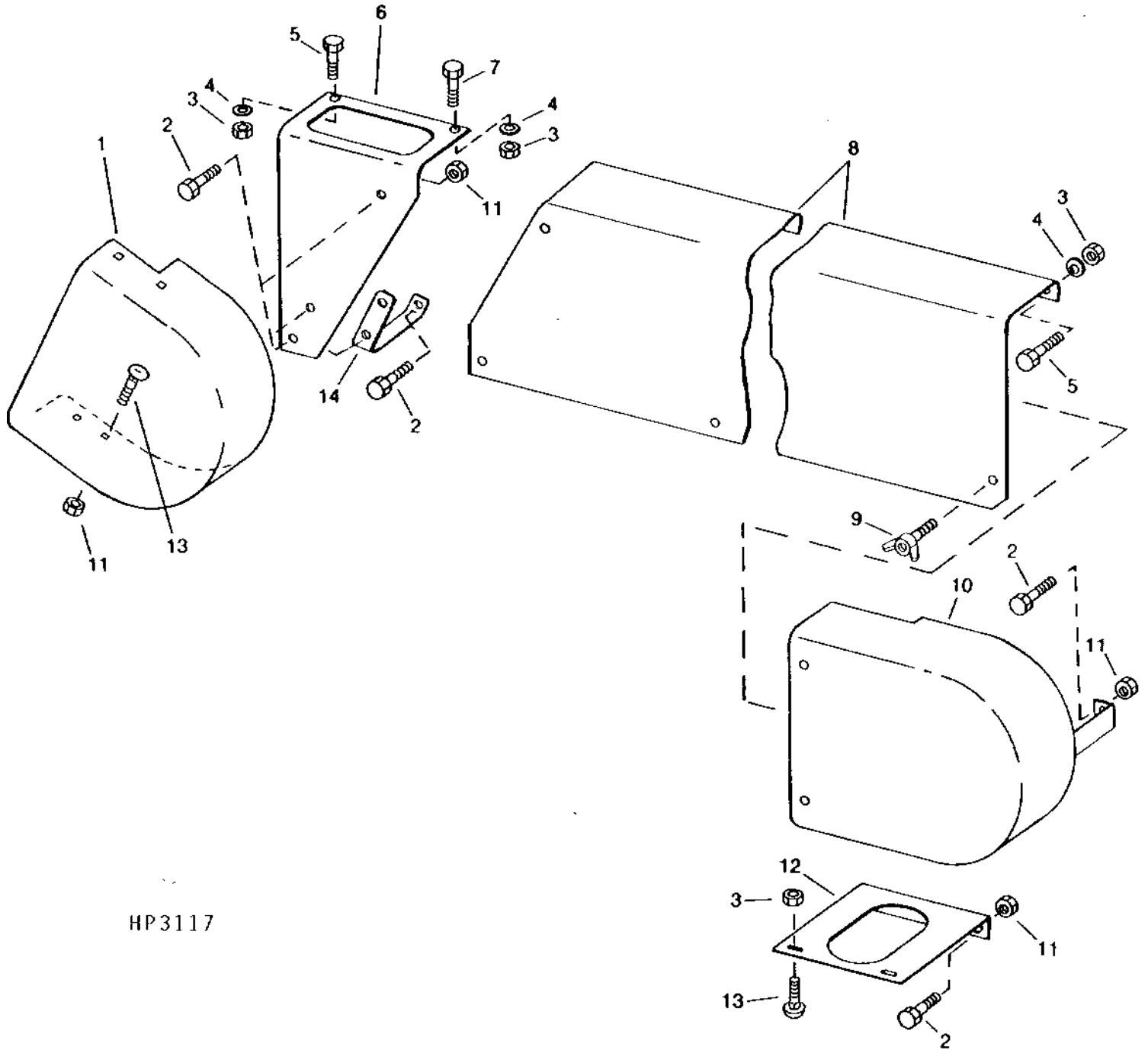
FINE CUT STRAW CHOPPER DRIVES (REAR) - CONTINUED

KEY	PART NO.	PART NAME	QTY	SERIAL NO.	REMARKS
1	19M7815	SCREW	1		
2	H127907	EYEBOLT	1		M12 X 60
3	24M7091	WASHER	2		26 X 44 X 4 MM
4	H127906	EYEBOLT	1		
5	14M7300	FLANGE NUT	1		M20
6	24H1236	WASHER	1		13/16" X 2" X 0.149"
7	14M7291	FLANGE NUT	4		M16
8	26M6787	SHAFT KEY	1		10 X 32 MM
9	H169712	JACKSHAFT	1		(SUB FOR H157687) FINE CUT CHOPPER
10	H139545	STUD	1		
11	14M7276	NUT	2		M16
12	19M8292	SCREW	1		M10 X 50
13	19M7867	SCREW	2		M8 X 25
14	H133812	SUPPORT	1		
15	14M7298	FLANGE NUT	2		M8
16	19M8292	SCREW	2		M10 X 50
17	14M7296	FLANGE NUT	2		M10
18	AH150016	SHEAVE	2		
19	H157726	BELT	1		
20	14M7296	FLANGE NUT	7		M10
21	P43363	SNAP RING	1		
22	19M8162	CAP SCREW	6		M10 X 40
23	H135410	PRESSED FLANGED HOUSING	2		
24	AH139296	BALL BEARING	2		
25	JD7797	LUBRICATION FITTING	2		
26	AE30624	PRESSED FLANGED HOUSING	2	-670000	
	AH163686	PRESSED FLANGED HOUSING	2	670000-	
27	22M7081	SET SCREW	2		M10 X 10
28	AH133191	ECCENTRIC LOCKING COLLAR	2		
29	H129125	STRAP	1		
30	H132976	BRACKET	1		
31	19M7865	SCREW	2		M8 X 16
32	H132901	BRACKET	1		
33	AA5607R	SEAL	2		
34	H99147	BUSHING	2		(SUB H171061)
	H171061	BEARING	2		
35	AH136126	ARM	1		(SUB AH169220)
	AH169220	ARM	1		
36	H157688	SHEAVE	1		
37	N110219	BUSHING	1		
38	AE22622	PULLEY	1		
39	19M7827	SCREW	1		M16 X 80
40	14M7291	FLANGE NUT	1		M16
41	H157247	HUB	1		
42	19M7788	SCREW	2		M12 X 25
43	26H103	SHAFT KEY	1		1/4" X 2-1/8"

STRAW CHOPPER DRIVE SHIELDS

(-640100)

HP3117 -UN-01JAN94



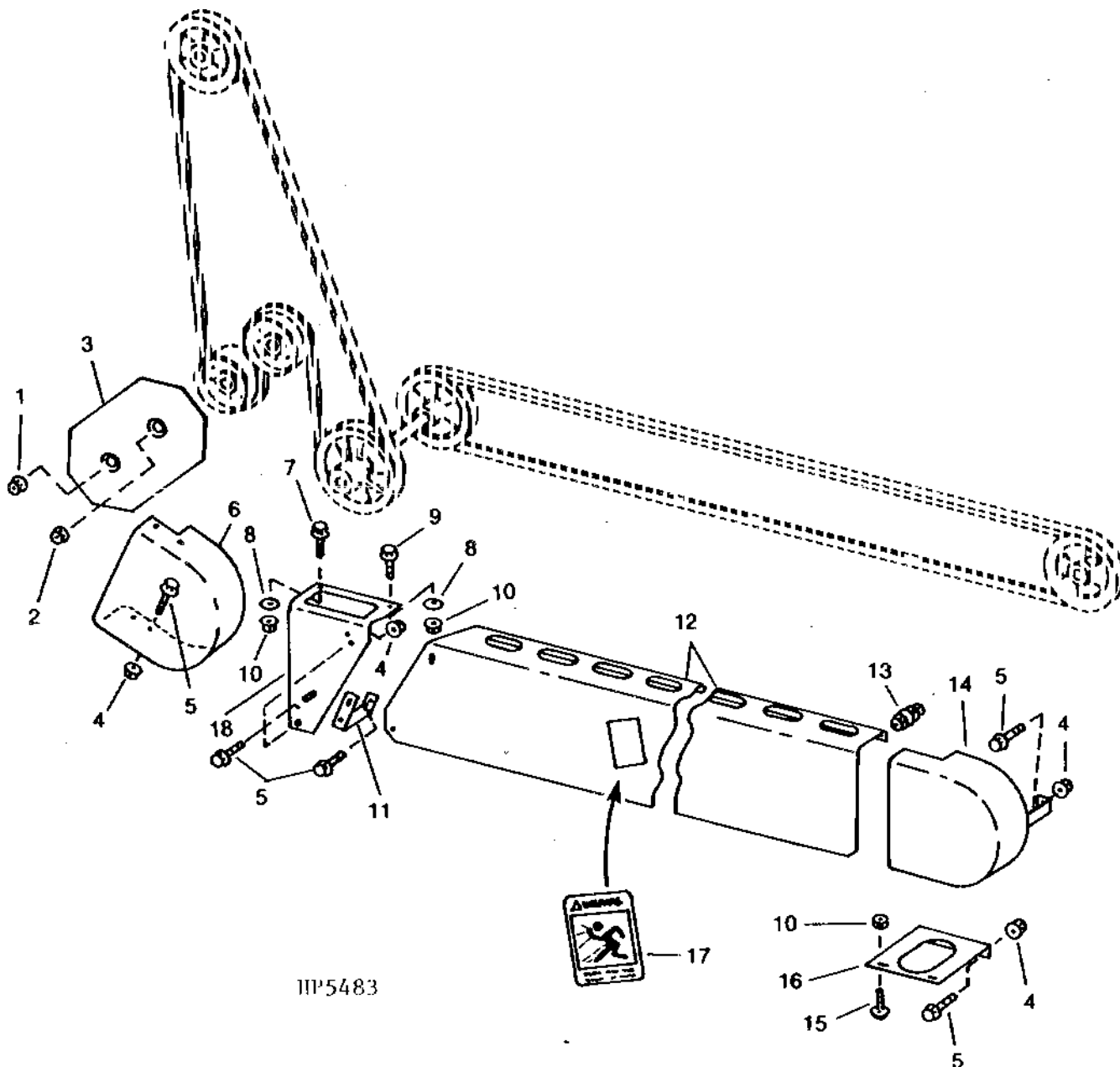
HP3117

STRAW CHOPPER DRIVE SHIELDS - CONTINUED

(-640100)

KEY	PART NO.	PART NAME	QTY	SERIAL NO.	REMARKS
1	H132902	CAP	1		
2	19M7865	SCREW	AR	-640100	M8 X 16
	19M7865	SCREW	3	640101-	
	H131531	NUT	1	640101-	
3	14M7273	NUT	AR		M8
4	24M7238	WASHER	AR		8.700 X 17 X 2 MM
5	19M7866	SCREW	1		M8 X 20
6	H134679	SUPPORT	1	-640100	(SUB H141059)
	H141059	SUPPORT	1		
7	19M7867	SCREW	AR		M8 X 25
8	H134648	SHIELD	1	-640100	
	H141100	SHIELD	1	640101-	
9	21M7236	WING SCREW	1		M10 X 16
10	AH130593	CAP	1	-640100	(SUB AH135460)
	AH135460	CAP	1		
11	14M7298	FLANGE NUT	AR		M8
12	H134653	BRACKET	1	-640100	
	H141061	SUPPORT	1	640101-	
13	03M7183	BOLT	4		M8 X 16
14	H134680	BRACKET	1		(SUB H141060)
	H141060	BRACKET	1		
..	BH80153	COMPLETE GOODS/SHIP. BUNDLE	1		CORN CHOPPER WITH DRIVES

STRAW CHOPPER DRIVE SHIELDS (640101-)
HP5483 -UN-01JAN94



STRAW CHOPPER DRIVE SHIELDS (640101-) - CONTINUED

KEY	PART NO.	PART NAME	QTY	SERIAL NO.	REMARKS
1	14M7291	FLANGE NUT	1	-670198	M16
	14M7260	NUT	1	670199-	M16
2	14M7299	FLANGE NUT	1		M12
3	AH147353	SHIELD	1	31JAN6-	(SUB AH167132) (SUB FOR AH135996)
	AH167132	SHIELD	1		
4	14M7298	FLANGE NUT	10		M8
5	19M7865	SCREW	11		M8 X 16
6	H132902	CAP	1		
7	19M7866	SCREW	1		M8 X 20
8	24M7238	WASHER	2		8.700 X 17 X 2 MM
9	19M7867	SCREW	1		M8 X 25
10	14M7273	NUT	2		M8
11	H141060	BRACKET	1		
12	H155295	SHIELD	1		(SUB FOR H141055)
13	19M7865	SCREW	5		M8 X 16
	24M7207	WASHER	5		8.400 X 24 X 2 MM
	14M7273	NUT	5		M8
14	AH130592	CAP	1		
15	03M7183	BOLT	2		M8 X 16
16	H134652	BRACKET	1		
17	H138989	LABEL	1	-660100	(SUB H149096) "PROJECTILE WARNING"
	H149096	LABEL	1		"PROJECTILE WARNING" ON R.H. REAR HOOD
18	H141059	SUPPORT	1		
..	R57003	TAPE	1	-660267	(SUB TY15709)

METRIC KEY STOCK KIT

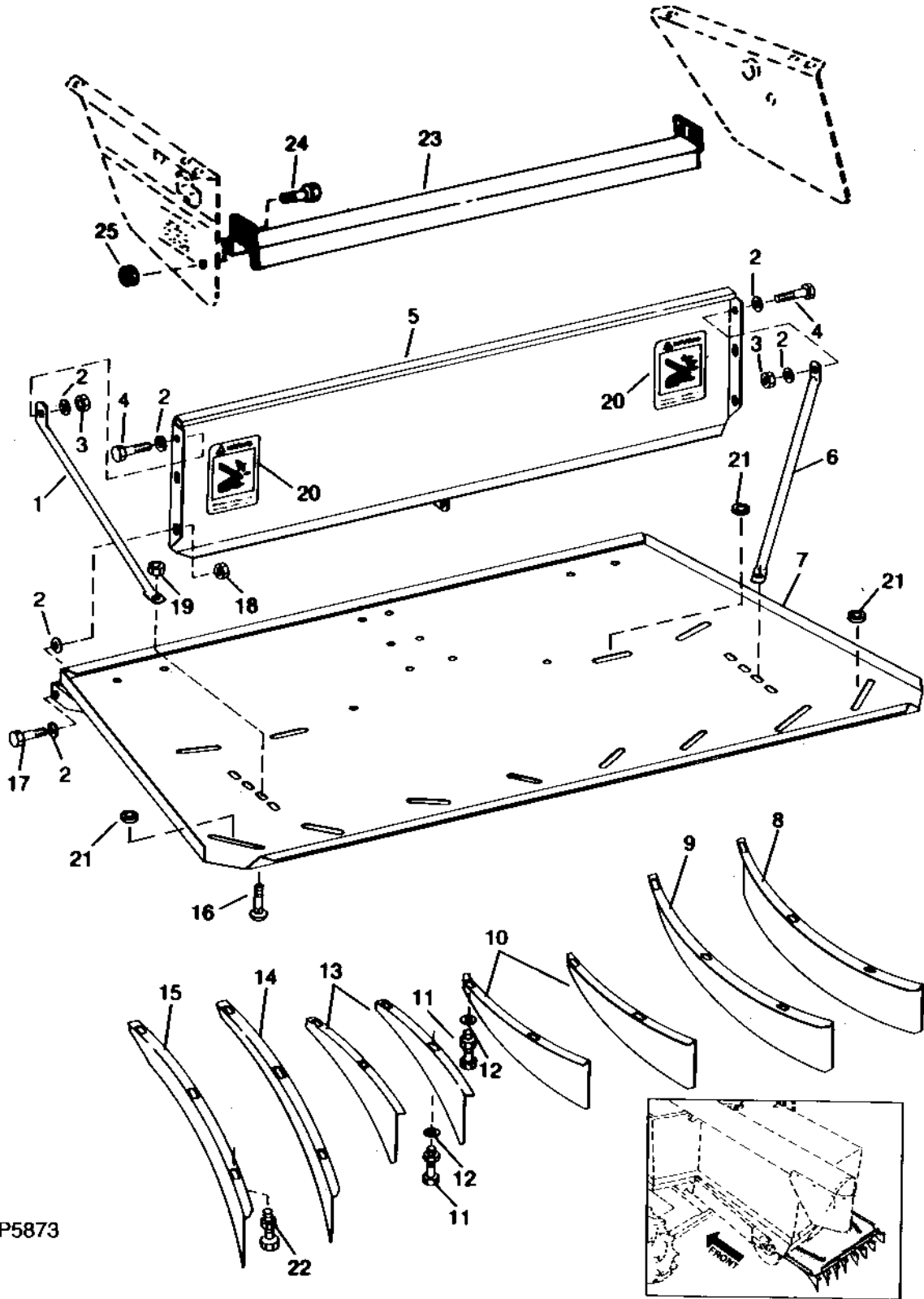
KEY	PART NO.	PART NAME	QTY	SERIAL NO.	REMARKS
..	SHAFT KEY	3		5 X 305MM SQUARE (IN AH141142 KEY STOCK KIT) (CUT FROM H150267)
..	SHAFT KEY	3		6 X 305MM SQUARE (IN AH141142 KEY STOCK KIT) (CUT FROM H150268)
..	SHAFT KEY	1		8 X 305MM SQUARE (IN AH141142 KEY STOCK KIT) (CUT FROM H150275)
..	SHAFT KEY	2		8 X 7 X 305MM RECTANGULAR (IN AH141142 KEY STOCK KIT) (CUT FROM H150269)
..	SHAFT KEY	1		10 X 8 X 305 MM RECTANGULAR (IN AH141142 KEY STOCK KIT) (CUT FROM H150270)
..	SHAFT KEY	1		12 X 8 X 305MM RECTANGULAR (IN AH141142 KEY STOCK KIT) (CUT FROM H150271)
..	SHAFT KEY	1		14 X 8 X 305MM RECTANGULAR (IN AH141142 KEY STOCK KIT) (CUT FROM H150272)
..	AH141142	SHAFT KEY	1		

MEMORANDA

7B14

RESIDUE DISPOSAL

STRAW CHOPPER DECK, SUPPORTS AND FINNS
HP5873 -UN-14OCT94



HP5873

7B15

RESIDUE DISPOSAL

STRAW CHOPPER DECK, SUPPORTS AND FINS - CONTINUED

KEY	PART NO.	PART NAME	QTY	SERIAL NO.	REMARKS
1	H126335	PIPE	1		
	H151182	PIPE	1	660101-	FOR WIDE SPREAD STRAW CHOPPER
2	H126334	LOCK WASHER	2		
3	14M7400	LOCK NUT	2		M10
4	19M7835	SCREW	2		M10 X 35
5	AH135721	SHEET	1	-640100	
	AH138891	SHEET	1	640101-645100	(SUB AH139791)
	AH139791	SHEET	1		
	AH144478	SHEET	1	660101-	FOR WIDE SPREAD STRAW CHOPPER
6	H126336	PIPE	1		
	H151181	PIPE	1	660101-	FOR WIDE SPREAD STRAW CHOPPER
7	AH125999	SUPPORT	1	-645464	(SUB AH137792)
	AH137792	SUPPORT	1		
8	H130949	VANE	1		
	H150401	DEFLECTOR	1	660101-	
9	H114535	VANE	1		
	H150401	DEFLECTOR	1	660101-	
10	H114537	VANE	2		
	H150403	DEFLECTOR	1	660101-	
11	03M7183	BOLT	16		M8 X 16
	14M7396	LOCK NUT	16		M8
12	24M7207	WASHER	16		8.400 X 24 X 2 MM
13	H114538	VANE	2		
	H150404	DEFLECTOR	1	660101-	FOR WIDE SPREAD STRAW CHOPPER
14	H114536	VANE	1		
	H150402	DEFLECTOR	1	660101-	FOR WIDER SPREAD STRAW CHOPPER
15	H130948	VANE	1		
	H150402	DEFLECTOR	1	660101-	FOR WIDE SPREAD STRAW CHOPPER
16	03M7191	BOLT	2		M10 X 25
17	19M7167	CAP SCREW	2		M10 X 25
18	14M7400	LOCK NUT	1		M10
19	14M7296	FLANGE NUT	1		M10
20	H144288	DECAL	2	-660100	(SUB H149102) "WARNING" CHOPPER POSITION
	H149102	DECAL	2		"WARNING" CHOPPER POSITION WIDE SPREAD CHOPPER - LABEL LOCATED ON REAR OF COMBINE HOOD
21	H128083	WASHER	3	650101-	9 X 50.800 X 5 MM (0.354" X 2" X 0.197")
22	03M7184	BOLT	3	650101-	M8 X 20, USED WITH H128083 WASHER
	14M7396	LOCK NUT	3	650101-	M8
23	H150408	SHEET	1	660101-	
	H157109	SHEET	1		FINE CUT CHOPPER
24	19M7866	SCREW	4	660101-	M8 X 20
25	14M7298	FLANGE NUT	4	660101-	M8
..	BH80153	COMPLETE GOODS/SHIP. BUNDLE	1		CORN CHOPPER WITH DRIVES
..	BH81040	COMPLETE GOODS/SHIP. BUNDLE	1		WIDE SPREAD STRAW CHOPPER
..	BH81040	COMPLETE GOODS/SHIP. BUNDLE	1		WIDE SPREAD STRAW CHOPPER

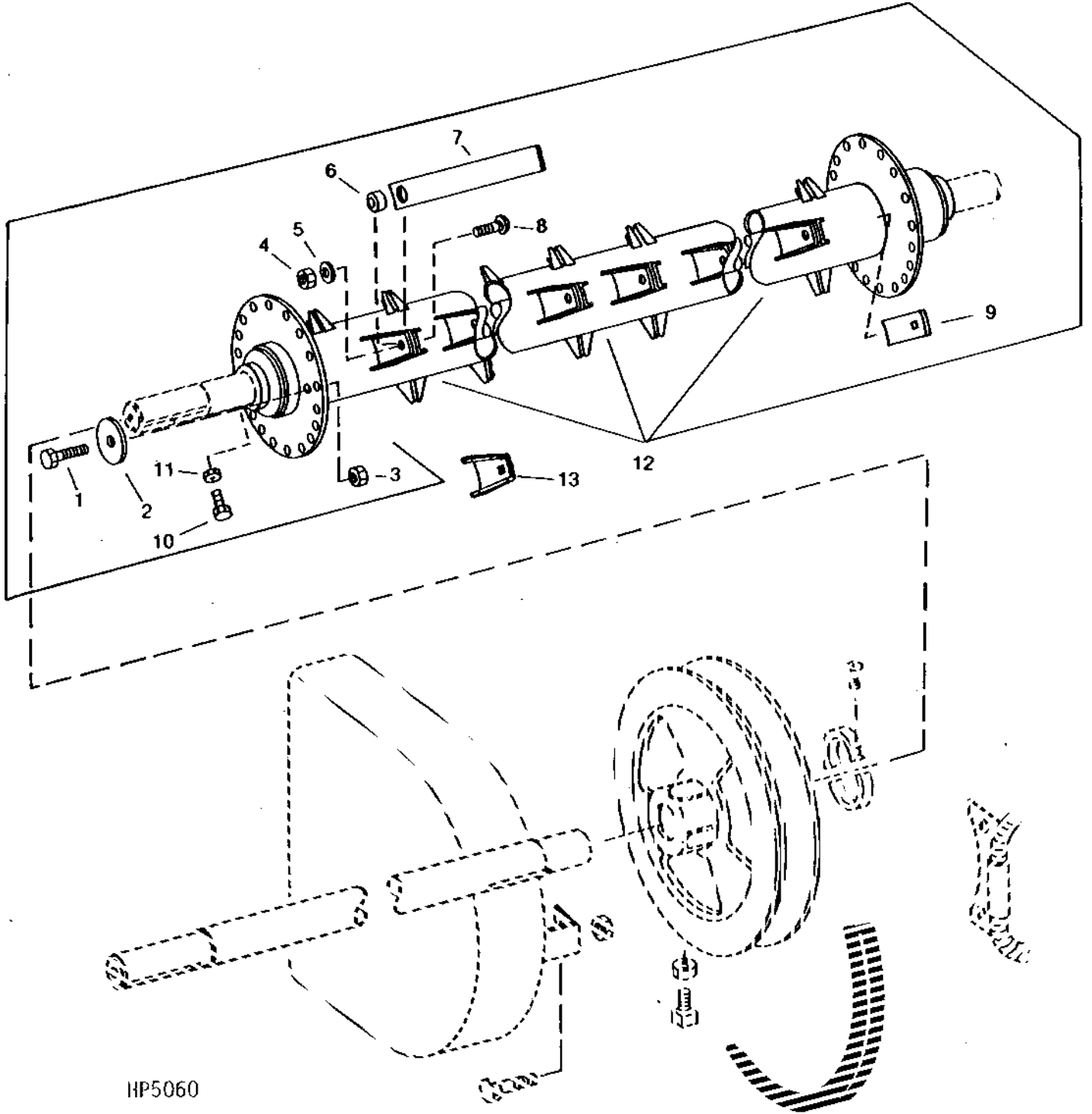
7B16

RESIDUE DISPOSAL

STRAW CHOPPER ROTOR AND SHEAVE

(-650100)

HP5060 -UN-01JAN94



HP5060

7B17

RESIDUE DISPOSAL

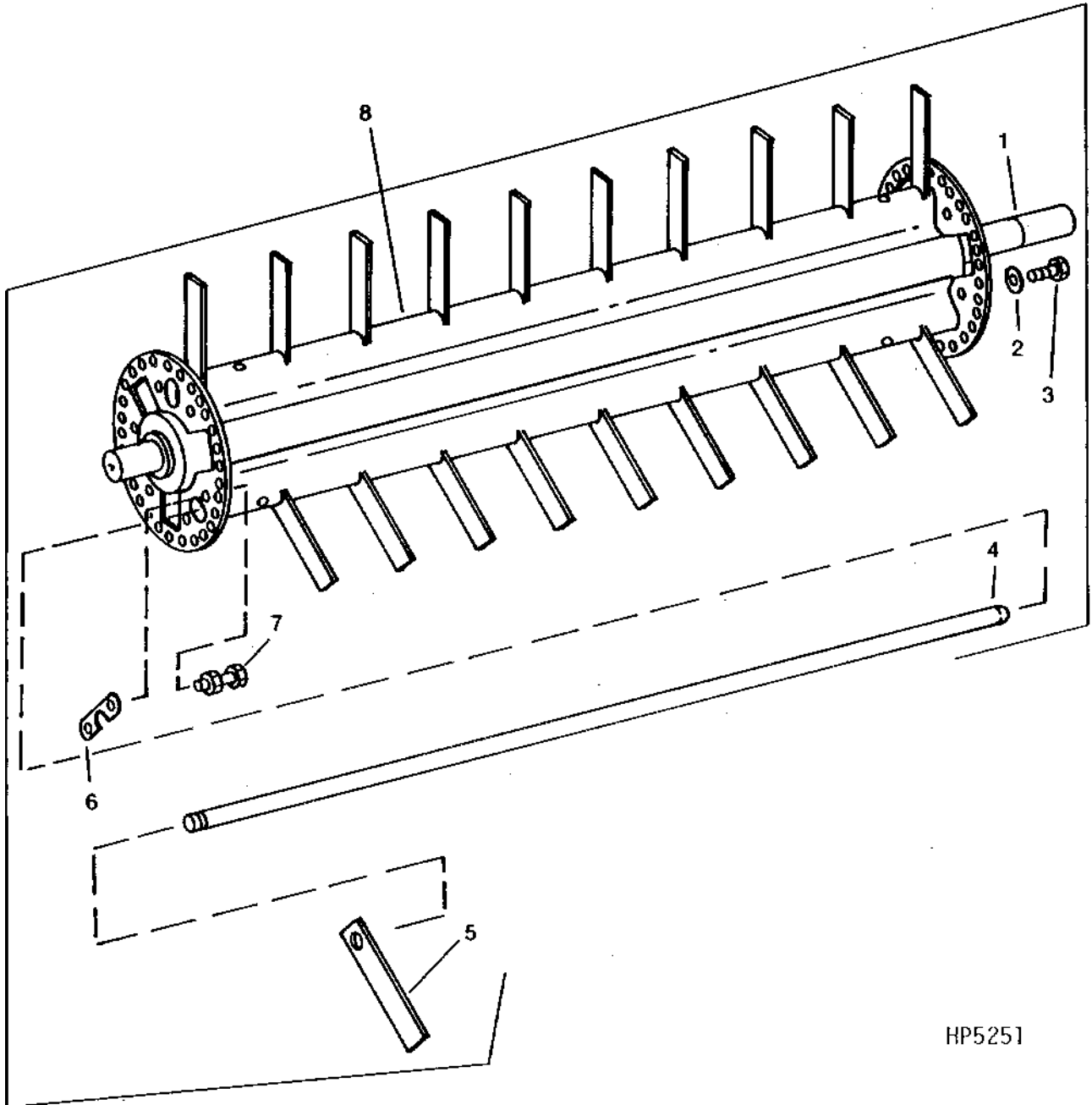
STRAW CHOPPER ROTOR AND SHEAVE - CONTINUED
 (-650100)

KEY	PART NO.	PART NAME	QTY	SERIAL NO.	REMARKS
1	H128360	CAP SCREW	2		
	H128359	CAP SCREW	1	5/16" X 1-1/2"	
	H128358	CAP SCREW	2	5/16" X 1-1/4"	
2	H128357	CAP SCREW	3	5/16" X 1"	
	H128084	WASHER	6		
	H128083	WASHER	4	0.354" X 2" X 0.197"	
	H128082	WASHER	6	0.354" X 1.374" X 0.118"	
	H128081	WASHER	4	0.354" X 1.252" X 0.059"	
	H128080	WASHER	4	0.354" X 0.752" X 0.059"	
	3	H129201	LOCK NUT	2	
H143332		LOCK NUT	6	5/16" X 18 UNC	
4	H32147	LOCK NUT	30		
5	R42729	WASHER	30		
6	H88783	WASHER	30		
7	AH124635	BLADE	1		(CONTAINS 6 BLADES)
	AH128359	BLADE	1		(CONTAINS 36 BLADES)
8	03H2305	BOLT	30		3/8" X 1-1/4"
9	H88807	GUSSET	1		(SUB AH136017)
10	22H748	SET SCREW	1	630910-	1/2" X 1", (SUB AH168947)
11	14H826	NUT	1	630910-	1/2"
12	AH143426	ROTOR	1		(SUB AH165768) (SUB FOR AH128250, AH136017, AH139290, AH140010 OR AH141750)
	AH165768	ROTOR	1		(SUB AH168947)
	AH168947	ROTOR	1		
13	H132998	BRACKET	1		

7B18

RESIDUE DISPOSAL

TRI ROTOR STRAW CHOPPER (645101 -655100)
HP5251 -UN-01JAN94



HP5251

7B19

RESIDUE DISPOSAL

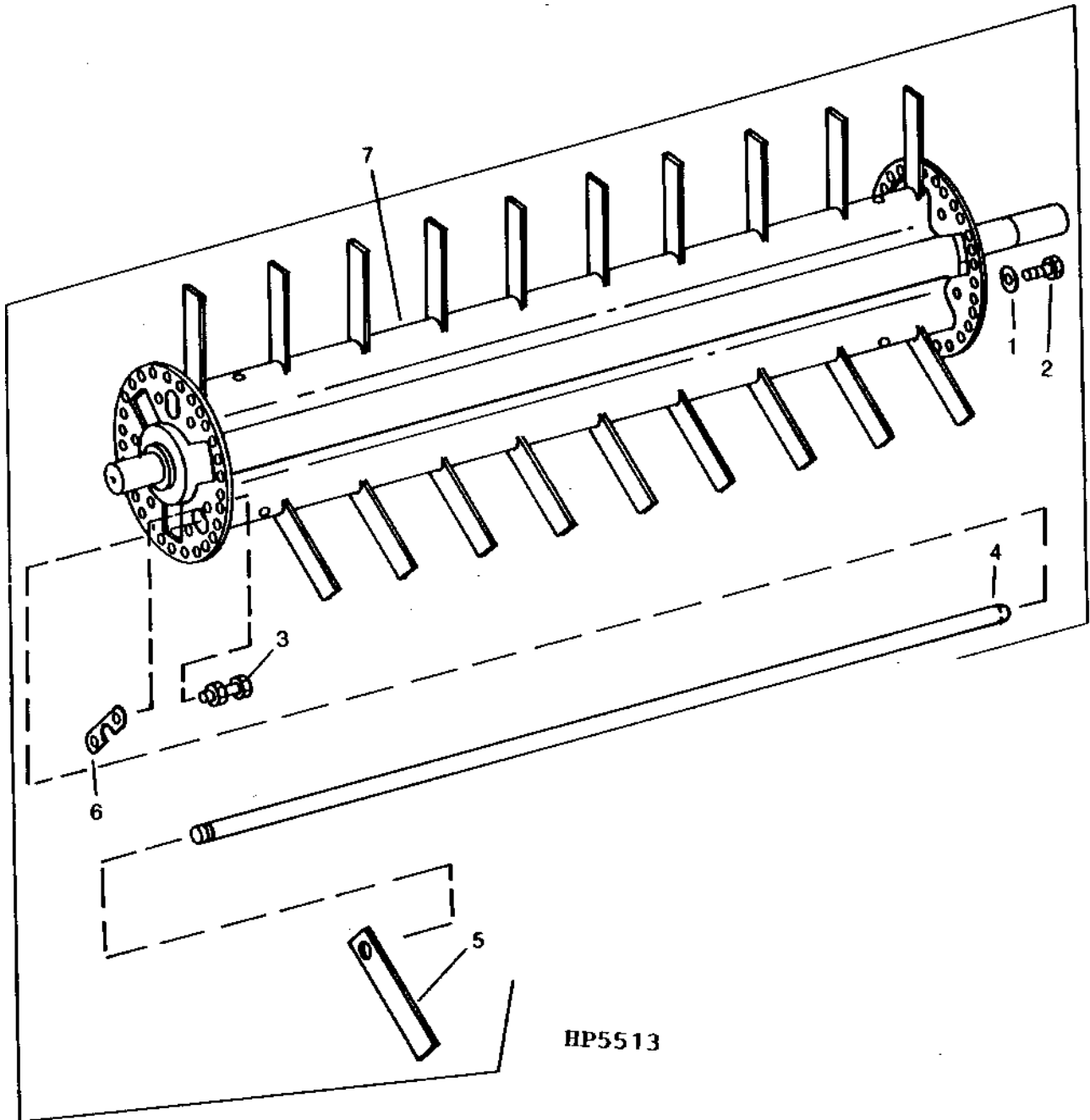
TRI ROTOR STRAW CHOPPER (645101 -655100) - CONTINUED

KEY	PART NO.	PART NAME	QTY	SERIAL NO.	REMARKS
1	H145275	SHAFT	1		
2	H128080	WASHER	AR		9 X 19 X 1.5
	H128081	WASHER	AR		9 X 31.8 X 1.5
	H128082	WASHER	AR		9X 34.9 X 3
	H128083	WASHER	AR		9 X 50.8 X 5
	H147304	WASHER	AR		9 X 34.9 X 5
3	H147302	BOLT	AR		3/4"
	H128357	CAP SCREW	AR		1"
	H128358	CAP SCREW	AR		1-1/4"
	H128359	CAP SCREW	AR		1-1/2"
4	H139600	PIN	3		
5	AH124635	BLADE	1		SET OF 6 BLADES
	AH128359	BLADE	1		SET OF 36 BLADES
6	H146414	RETAINER	3		
7	H128357	CAP SCREW	AR		
	H143332	LOCK NUT	6	-650100	
	H143332	LOCK NUT	13	650101-	
8	AH140010	ROTOR	1	-650100	(SUB AH141750)
	AH141750	ROTOR	1	-655100	(SUB AH143426)

7B20

RESIDUE DISPOSAL

TRI ROTOR STRAW CHOPPER (655101-)
HP5513 -UN-01JAN94



7B21

RESIDUE DISPOSAL

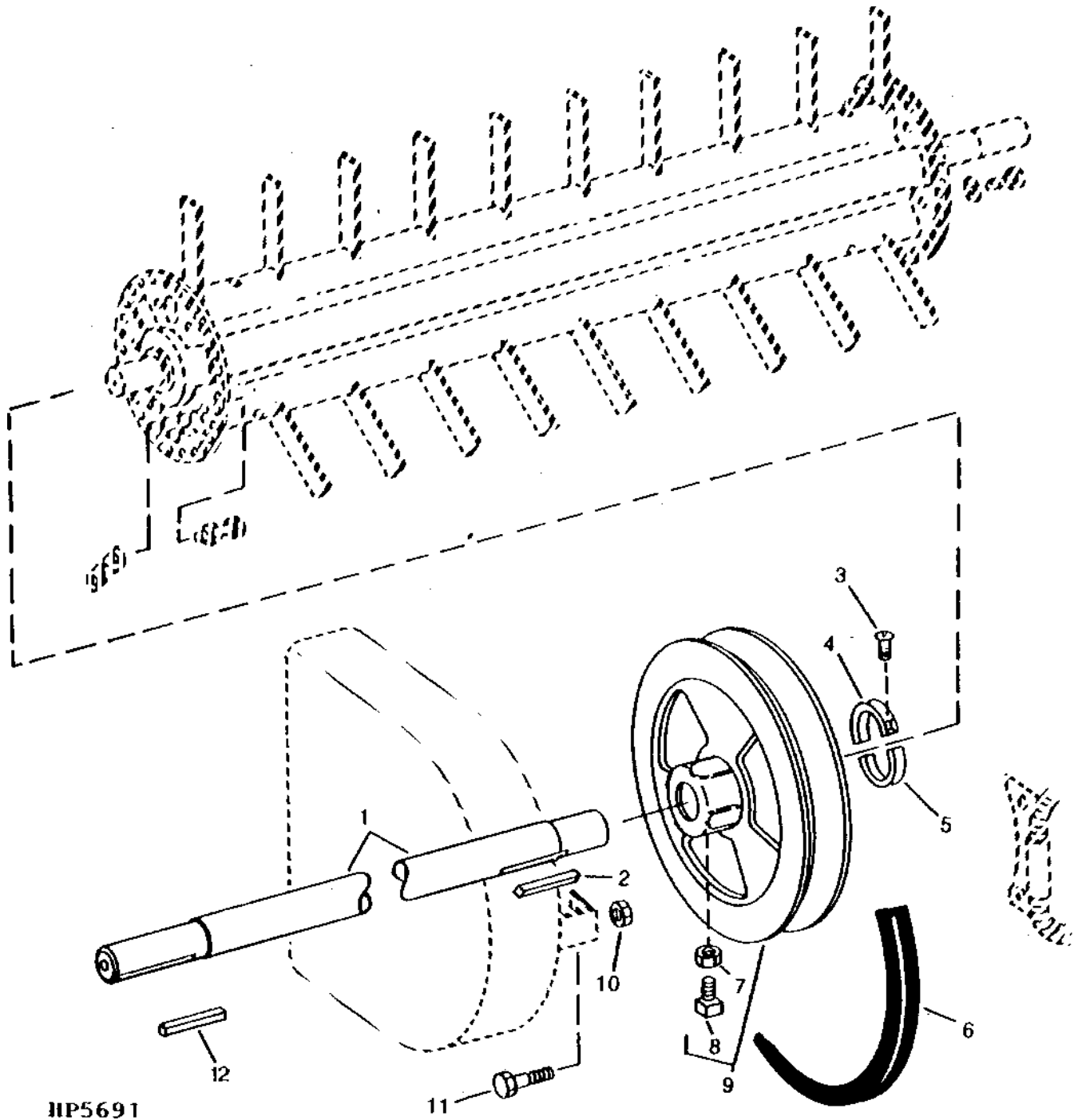
TRI ROTOR STRAW CHOPPER (655101-) - CONTINUED

KEY	PART NO.	PART NAME	QTY	SERIAL NO.	REMARKS
1	H128080	WASHER	AR	9 X 19 X 1.5	
	H128081	WASHER	AR	9 X 31.8 X 1.5	
	H128082	WASHER	AR	9X 34.9 X 3	
	H128083	WASHER	AR	9 X 50.8 X 5	
	H147304	WASHER	AR	9 X 34.9 X 5	
2	H147302	BOLT	AR	3/4"	
	H128357	CAP SCREW	AR	1"	
	H128358	CAP SCREW	AR	1-1/4"	
	H128359	CAP SCREW	AR	1-1/2"	
3	H128357	CAP SCREW	AR		
	H143332	LOCK NUT	13		
4	H139600	PIN	3		
5	AH124635	BLADE	1	SET OF 6 BLADES	
	AH128359	BLADE	1	SET OF 36 BLADES	
6	H146414	RETAINER	3		
7	AH143426	ROTOR	1		

7B22

RESIDUE DISPOSAL

STRAW CHOPPER ROTOR AND SHEAVE
HP5691 -UN-01JAN94



HP5691

7B23

RESIDUE DISPOSAL

STRAW CHOPPER, ROTOR AND SHEAVE - CONTINUED

KEY	PART NO.	PART NAME	QTY	SERIAL NO.	REMARKS
1	H141580	DRIVE SHAFT	1	630910-640100	
	H145275	SHAFT	1	640101-	
2	H64374	SHAFT KEY	2	630910-	(SUB H64375) 6 X 304 MM (1/4 X 12 IN.)
3	21H1419	SCREW	1		0.190" X 1"
4	H104794	ACTUATOR	1		
5	H104793	ACTUATOR	1		
6	H125381	BELT	1		
	P47885	BELT	1		(SUB H23950)
	H23950	BELT	1		
7	14M7152	NUT	1		M10
8	H138435	SET SCREW	2		
9	AH119770	SHEAVE	2		
10	14M7298	FLANGE NUT	1		M8
11	19M7865	SCREW	1		M8 X 16
12	H64375	SHAFT KEY	1		7 X 304 MM (5/16 X 12 IN.)

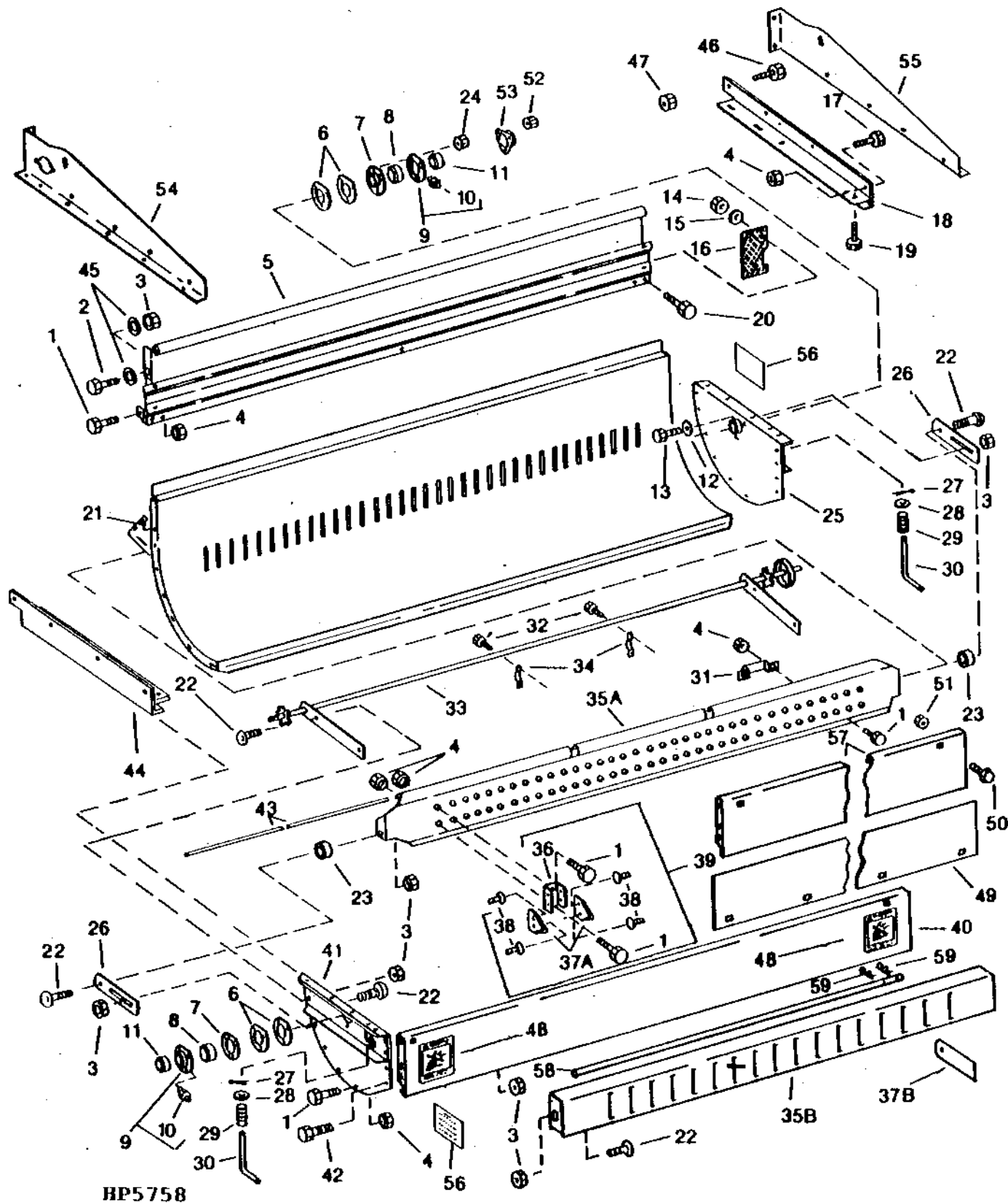
7B24

RESIDUE DISPOSAL

STRAW CHOPPER HOUSING AND KNIFEBANK

(-655100)

HP5758 -UN-01JAN94



7B25

RESIDUE DISPOSAL

STRAW CHOPPER HOUSING AND KNIFEBANK - CONTINUED

(-655100)

KEY	PART NO.	PART NAME	QTY	SERIAL NO.	REMARKS
1	19M7866	SCREW	AR		M8 X 20
2	19M7784	SCREW	AR		M10 X 20
3	14M7296	FLANGE NUT	AR		M10
4	14M7298	FLANGE NUT	AR		M8
5	AH130948	EXTENSION	1	-640100	
	AH135394	EXTENSION	1	640101-	(SUB AH142779)
6	H128709	WASHER	4	-640100	
7	H131161	PRESSED FLANGED HOUSING	2	-640100	
8	JD10387	BALL BEARING	2	-640100	
	AH139260	BEARING	2	640101-	BEARING IS PART OF CAST HOUSING
9	AH126221	PRESSED FLANGED HOUSING	2	-640100	
10	JD7846	LUBRICATION FITTING	2		
11	JD8576	ECCENTRIC LOCKING COLLAR	2		
12	24M7239	WASHER	6		10.700 X 21 X 2.500 MM
13	19M7835	SCREW	6		M10 X 35
	19M7805	SCREW	3	640101-	M10 X 45
14	14M7396	LOCK NUT	2	-640100	M8
15	24M7207	WASHER	2	-640100	8.400 X 24 X 2 MM
16	H131612	GUARD	2		
17	19M7867	SCREW	AR		M8 X 25
18	AH130621	ANGLE	1	-640100	RH
	AH138630	SUPPORT	1	640101-640101	RH
	AH139681	SUPPORT	1	640101-	
19	19M7786	SCREW	AR		M10 X 30
20	19M7407	CAP SCREW	2	-640100	M8 X 25
21	AH130947	SHEET	1	-640100	(SUB AH143048, AH140129, H149992, (29) H142141, (2) 11M7059, (2) 03M7191 AND (2) 14M7296)
	AH143048	SHEET	1		
	AH138155	SHEET	1		(SUB AH143048, H149992, (29) H142141, (2) 11M7059, (2) 03M7191 AND (2) 14M7296) (SUB FOR AH136638)
22	03M7191	BOLT	AR		M10 X 25
23	28H1518	WASHER	2	-640100	0.493" X 0.675" X 5/16"
24	14M7337	NUT	6	-650100	M10
	A51212	LOCK NUT	1	650101-	
25	AH138157	SHEET	1		(SUB AH165936) R.H.
	AH165936	SHEET	1		R.H.
26	H84992	STRAP	2	-640100	
27	11M7059	COTTER PIN	2		3.200 X 20 MM
28	24H1341	WASHER	2		17/32" X 15/16" X 0.060"
29	B28970	SPRING	2		
30	H136179	PIN	2		
31	H85184	HANDLE	2		
32	03M7184	BOLT	4		M8 X 20
33	AH121493	DRIVE SPROCKET	1	-640100	(SUB AH135837 AND (2) H141388)
	AH135837	DRIVE SPROCKET	1		
34	H84990	CLAMP	4		
35A	H128114	SUPPORT	1	-640100	
35B	AH135549	CHANNEL	1	640101-640684	(SUB AH140129)
	AH140129	CHANNEL	1		(INCLUDES B27835)
36	H88800	CHANNEL	AR	-640100	DOUBLE BLADE BRACKET
	P48067	BRACKET	2	-640100	SINGLE BLADE BRACKET
37A	E76372	SECTION	AR	-640100	
37B	H142141	KNIFE	29	640101-	
38	Z5086H	RIVET	AR	-640100	
39	AH89918	BRACKET	AR	-640100	DOUBLE BLADE ASSY.
	AP23601	BRACKET	1	-640100	
40	AH139791	SHEET	1		(SUB FOR AH135721 OR AH138891)
	AH144478	SHEET	1	660101-	FOR WIDE SPREAD STRAW CHOPPER
41	AH131865	SHEET	1	-640100	
	AH138156	SHEET	1		(SUB FOR AH135461) (SUB AH165937) L.H.
	AH165937	SHEET	1		L.H.

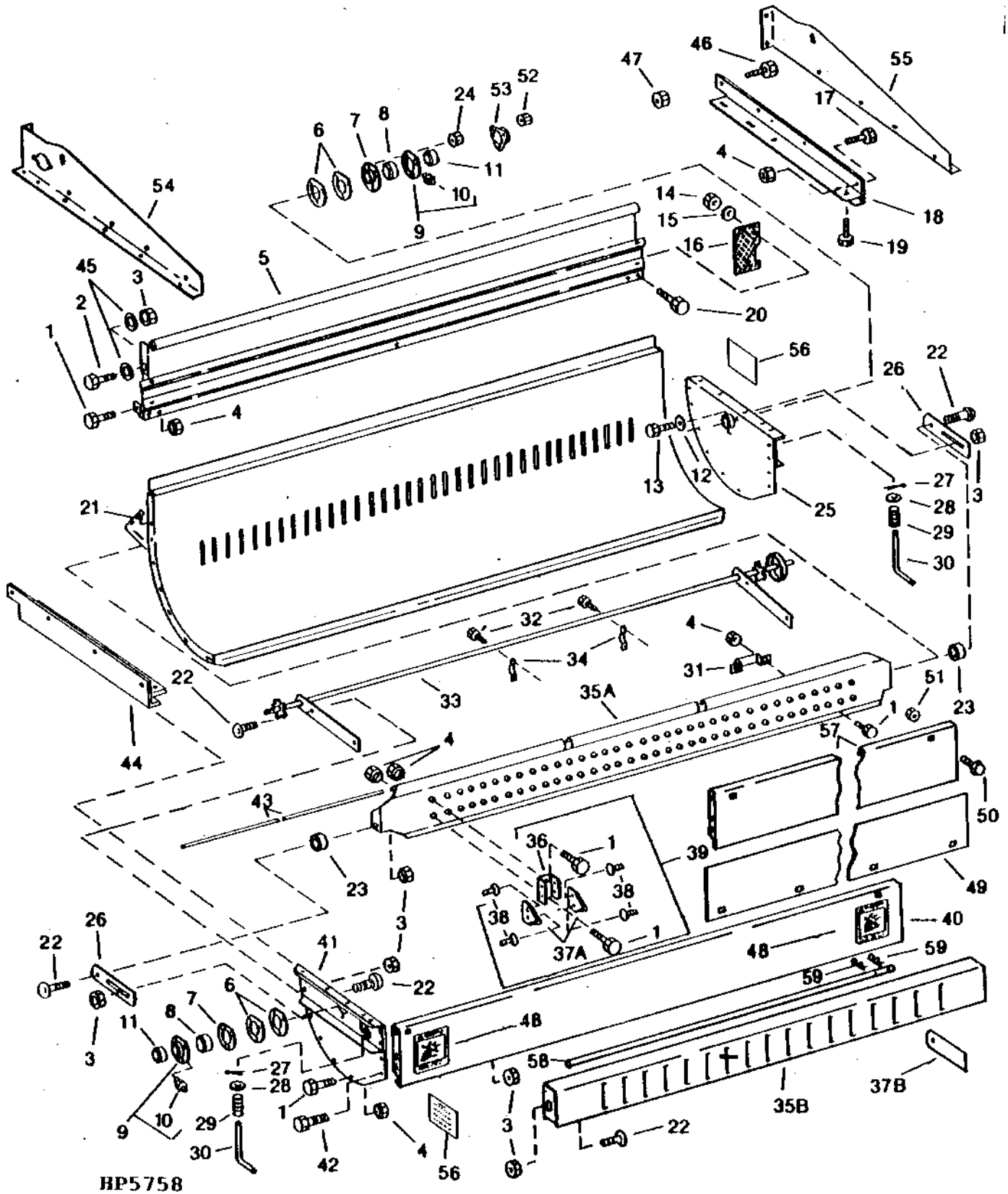
7C1

RESIDUE DISPOSAL

STRAW CHOPPER HOUSING AND KNIFEBANK

(-655100)

HP5758 -UN-01JAN94



7C2

RESIDUE DISPOSAL

STRAW CHOPPER HOUSING AND KNIFEBANK - CONTINUED

(-655100)

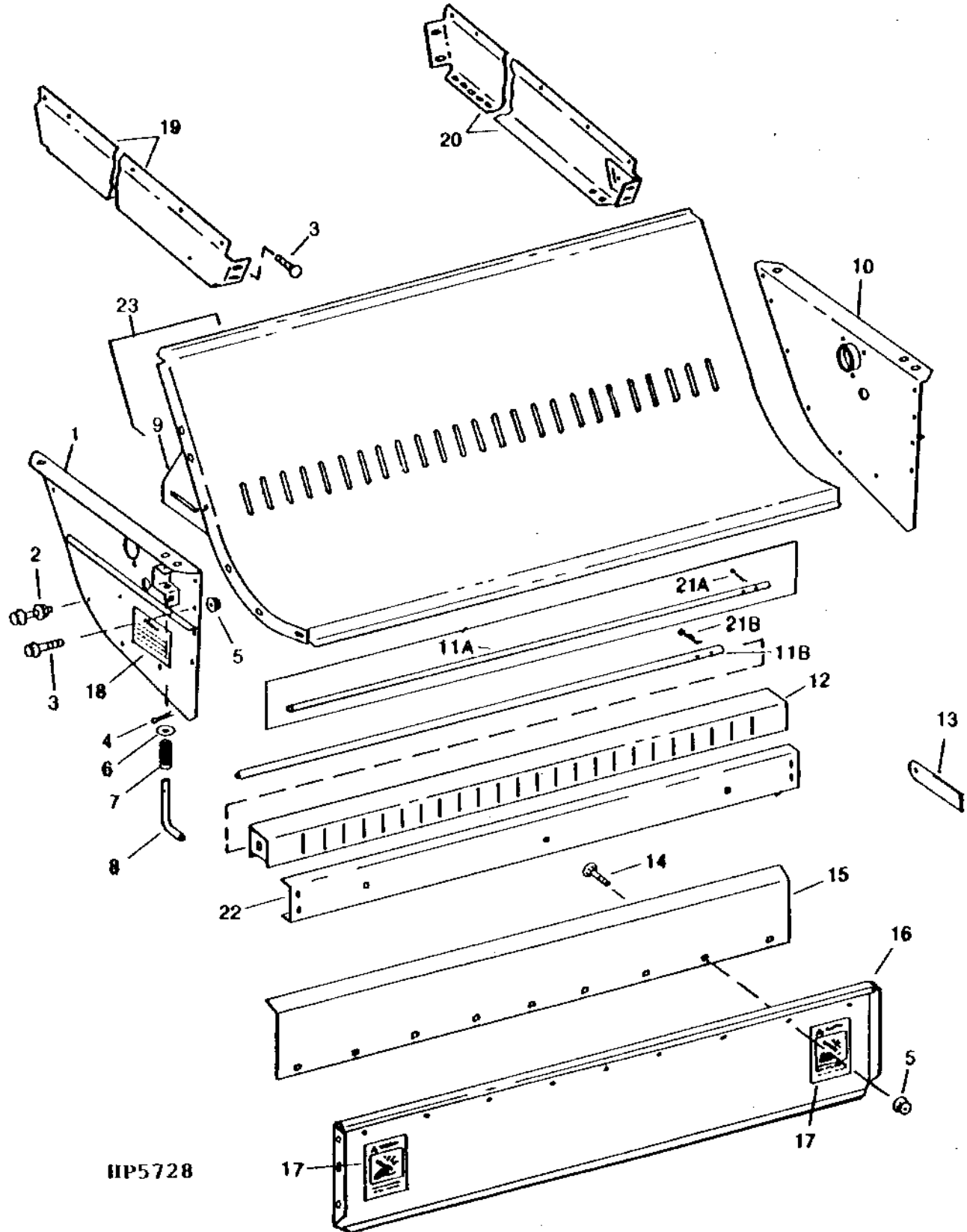
KEY	PART NO.	PART NAME	QTY	SERIAL NO.	REMARKS
42	19M7785	SCREW	AR		M10 X 25
43	H99025	DOWEL PIN	1	-640100	(SUB FOR H84991)
44	AH130620	ANGLE	1	-640100	LH
	AH138631	SUPPORT	1	640101-640194	LH
	AH139682	SUPPORT	1	640195-	LH
45	H126334	LOCK WASHER	4		
46	19M7810	SCREW	4	-640603	M10 X 80
	19M7809	SCREW	4	640604-	M10 X 70
47	14M7400	LOCK NUT	4		M10
48	H144288	DECAL	2	635303-	(SUB H149102) "WARNING" CHOPPER POSITION
	H144290	DECAL	2		(SUB H149103) "WARNING" CHOPPER POSITION (FRENCH)
49	H144299	SHIELD	1	-640100	
	H145854	SHIELD	1	640101-640194	
	H146308	SHIELD	1	640195-	
50	03M7184	BOLT	9	640101-	
51	14M7298	FLANGE NUT	9	640101-	
52	14M7274	NUT	3	640101-	
53	H145319	COVER	1	640101-	
54	H139682	SUPPORT	1	640101-	L H
55	H139681	SUPPORT	1	640101-	R H
56	H145857	LABEL	2	-29SEP7	"WARNING" CHOPPER POSITION
	H165247	LABEL	2	29SEP7-	CHOPPER POSITION - ON BOTH SIDES
	H145858	LABEL	1		"WARNING" CHOPPER POSITION (FRENCH)
57	H145778	RAIL	2	640101-	FRONT AND REAR
58	H141135	PIN	1	640101-	
59	J16931	SPRING LOCKING PIN	2	640101-640291	
	11M7059	COTTER PIN	2	640292-	
..	BH80153	COMPLETE GOODS/SHIP. BUNDLE	1		CHOPPER WITH DRIVES

7C3

RESIDUE DISPOSAL

STRAW CHOPPER HOUSING AND KNIFEBANK

(655101-)
HP5728 -UN-01JAN94



HP5728

7C4

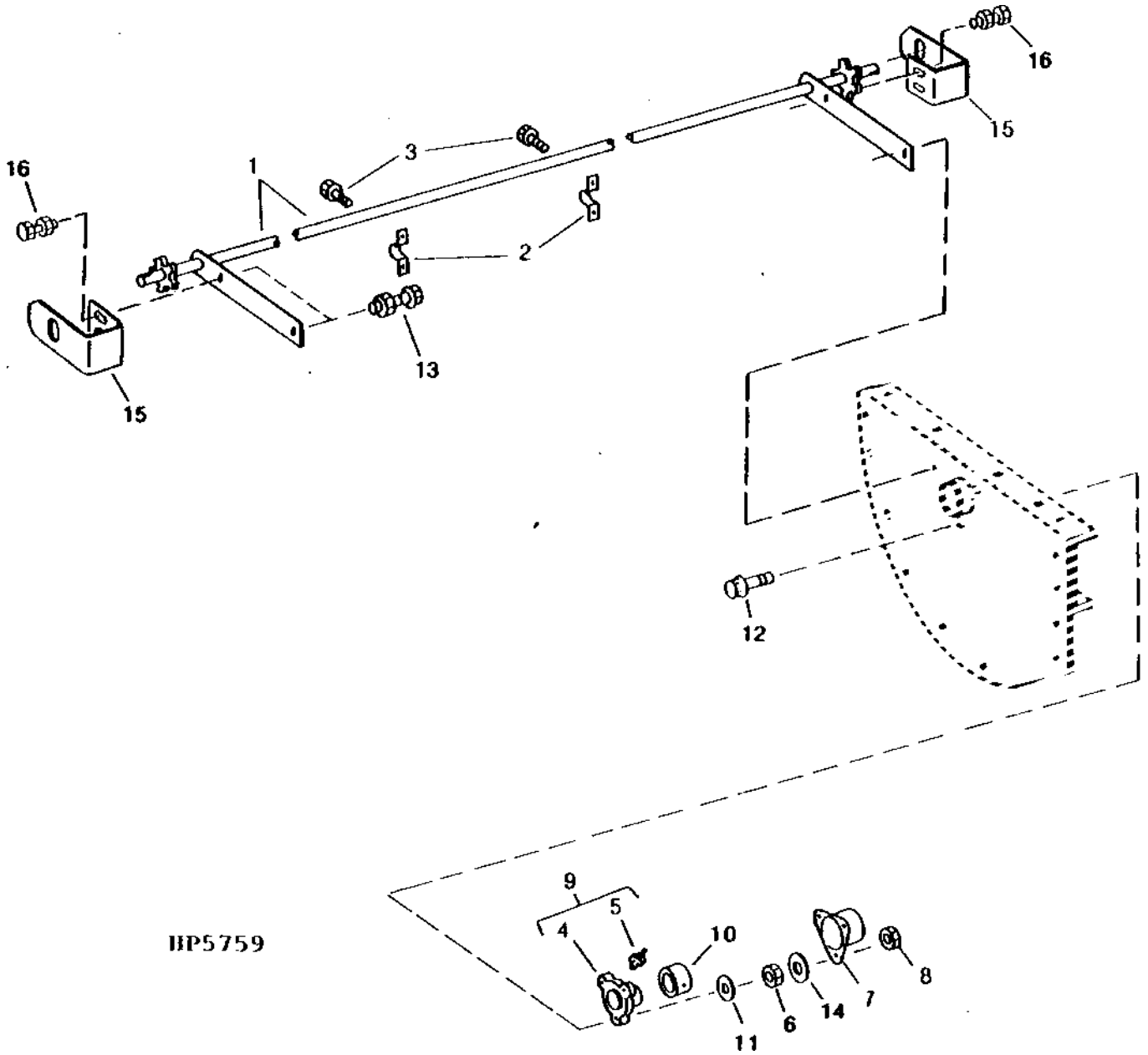
RESIDUE DISPOSAL

STRAW CHOPPER HOUSING AND KNIFEBANK - CONTINUED
(655101-)

KEY	PART NO.	PART NAME	QTY	SERIAL NO.	REMARKS
1	AH138156	SHEET	1		(SUB AH165937) L.H.
	AH165937	SHEET	1		L.H.
2	19M7866	SCREW	AR		M8 X 20
3	19M7785	SCREW	4		M10 X 25
4	11M7059	COTTER PIN	2		3.200 X 20 MM
5	14M7298	FLANGE NUT	AR		M8
6	24H1341	WASHER	2		17/32" X 15/16" X 0.060"
7	B28970	SPRING	2		
8	H136179	PIN	2		
9	H149026	SUPPORT	1		R.H.
	H149027	SUPPORT	1		L.H.
10	AH138157	SHEET	1		(SUB AH165936) R.H.
	AH165936	SHEET	1		
11A	H141138	PIN	1	-651404	(SUB H149992)
11B	H149992	PIN	1		
12	AH140129	CHANNEL	1		
13	H142141	KNIFE	29		
	AH149677	KNIFE	1	670499-	FINE CUT CHOPPER
14	19M7866	SCREW	AR		M8 X 20
15	H146308	SHIELD	1		
16	AH139791	SHEET	1		
17	H149102	DECAL	2		(SUB FOR H144288) "WARNING" CHOPPER POSITION
18	H145857	LABEL	1	-29SEP7	"IMPORTANT" CHOPPER POSITION
	H165247	LABEL	1	29SEP7-	CHOPPER POSITION
	H145858	LABEL	1		"WARNING" CHOPPER POSITION (FRENCH)
19	AH139682	SUPPORT	1		L.H.
20	AH139681	SUPPORT	1		R.H.
21A	11M7059	COTTER PIN	2	-651404	3.200 X 20 MM
21B	H114001	QUICK LOCK PIN	1	651405-	
22	H145778	RAIL	1		
23	AH143048	SHEET	1		
..	BH80153	COMPLETE GOODS/SHIP. BUNDLE	1		CORN CHOPPER WITH DRIVES
..	BH80073	COMPLETE GOODS/SHIP. BUNDLE	1		STRAW CHOPPER, LOWER WITH CHAFF SPREADER

7C5

STRAW CHOPPER DRIVE SPROCKETS (655101-)
HP5759 -UN-01JAN94



HP5759

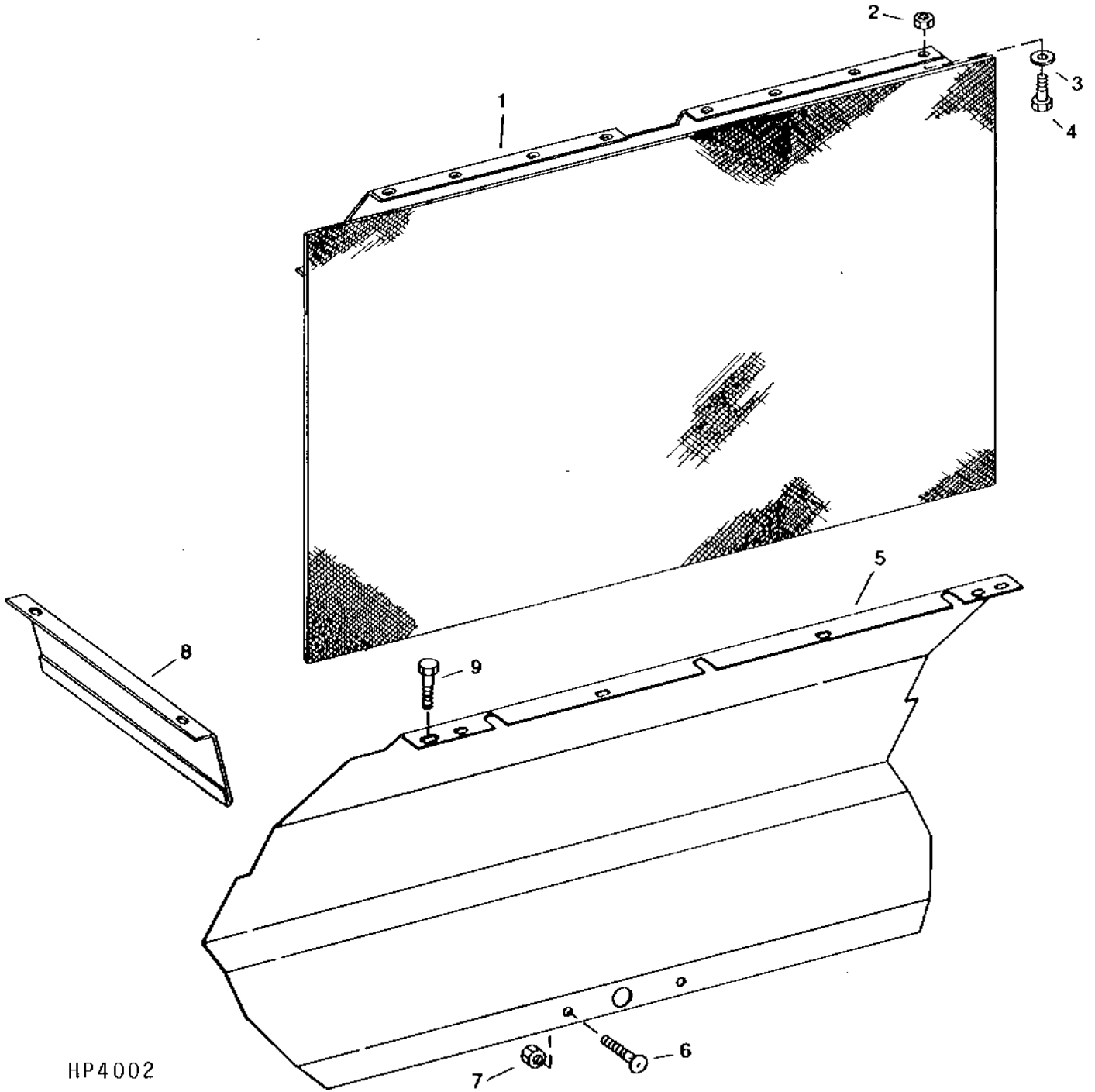
7C6

RESIDUE DISPOSAL

STRAW CHOPPER DRIVE SPROCKETS (655101-) - CONTINUED

KEY	PART NO.	PART NAME	QTY	SERIAL NO.	REMARKS
1	AH135837	DRIVE SPROCKET	1		
2	H84990	CLAMP	2		
3	03M7184	BOLT	2		M8 X 20
4	BEARING	2		(SUB AH139260)
5	JD7844	LUBRICATION FITTING	2		
6	14M7337	NUT	3	-650100	M10
	A51212	LOCK NUT	1	650101-	
7	H145319	COVER	1		
8	14M7274	NUT	3		M10
9	AH139260	BEARING	2		
10	JD8576	ECCENTRIC LOCKING COLLAR	2		
11	24M7239	WASHER	6		10.700 X 21 X 2.500 MM
12	19M7805	SCREW	6		M10 X 45
13	19M7867	SCREW	4		M8 X 25
	14M7298	FLANGE NUT	4		M8
14	24M7028	WASHER	3		10.500 X 20 X 2 MM
15	H141388	SHIELD	2		
16	19M7867	SCREW	4		M8 X 25
	14M7298	FLANGE NUT	4		M8

CORN CURTAIN AND DEFLECTORS (OPTIONAL)
HP4002 -UN-01JAN94



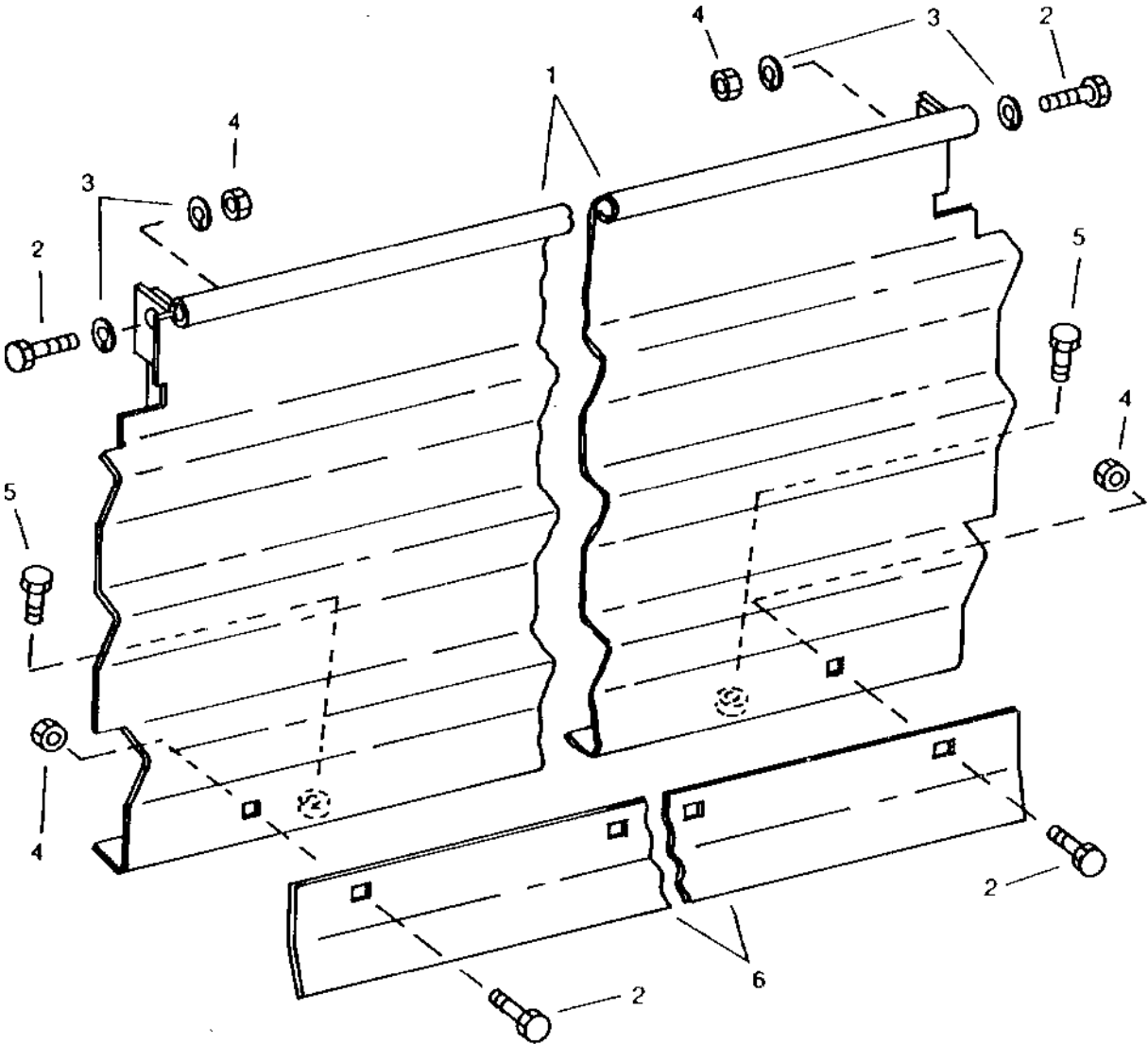
HP4002

CORN CURTAIN AND DEFLECTORS (OPTIONAL) - CONTINUED

KEY	PART NO.	PART NAME	QTY	SERIAL NO.	REMARKS
1	AH117265	SUPPORT	1		CORN ONLY
2	14M7298	FLANGE NUT	8		M8
3	24M7207	WASHER	2		8.400 X 24 X 2 MM
4	19M7865	SCREW	14		M8 X 16
5	H137403	DEFLECTOR	1		CORN ONLY
6	03M7183	BOLT	2		M8 X 16
7	14M7298	FLANGE NUT	2		M8
8	H134889	DEFLECTOR	2		CORN AND GRAIN
9	37M7092	SCREW	6	-640100	M8 X 16
	37M7058	SCREW	6	640101-	M8 X 20
..	BH80153	COMPLETE GOODS/SHIP. BUNDLE	1		CORN CHOPPER WITH DRIVES
..	BH80153	COMPLETE GOODS/SHIP. BUNDLE	1		CORN CHOPPER WITH DRIVES

7C9

STRAW CHOPPER DOOR
HP3784 -UN-01JAN94



HP3784

7C10

RESIDUE DISPOSAL

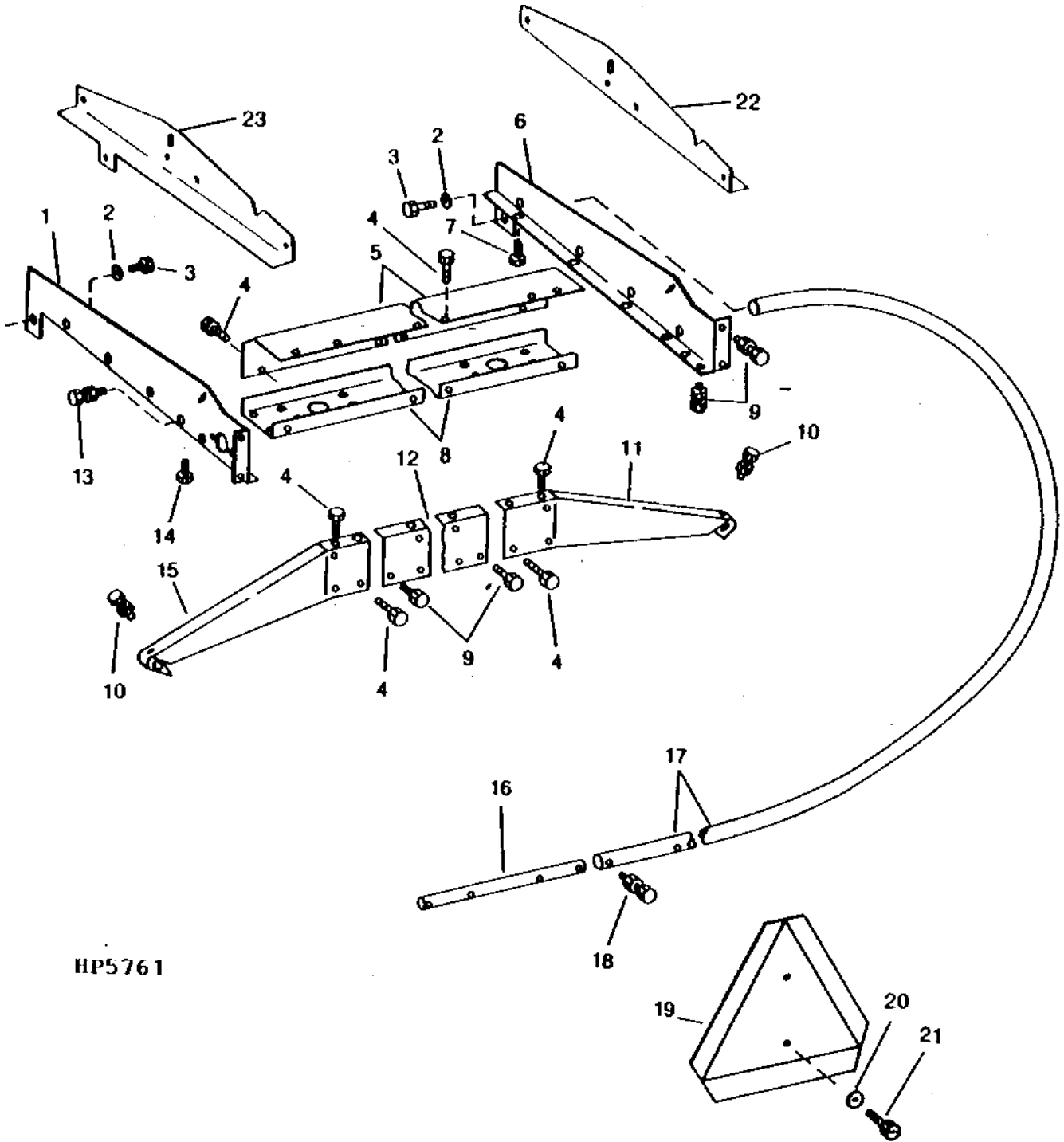
STRAW CHOPPER DOOR - CONTINUED

KEY	PART NO.	PART NAME	QTY	SERIAL NO.	REMARKS
1	AH130948	EXTENSION	1	-640100	(SUB AH135394)
	AH135394	EXTENSION	1	640101-650220	
	AH142779	EXTENSION	1	650221-	
2	19M7786	SCREW	6		M10 X 30
3	H126334	LOCK WASHER	4		11.230 X 22.230 X 1.140 MM (0.442" X 0.875" X 0.045")
4	14M7400	LOCK NUT	6		M10
5	19M7784	SCREW	2		M10 X 20
6	H134886	BRACE	1		
..	BH80063	COMPLETE GOODS/SHIP. BUNDLE	1		LOWER STRAW CHOPPER
..	BH80073	COMPLETE GOODS/SHIP. BUNDLE	1		STRAW CHOPPER LOWER WITH CHAFF SPREADER

7C11

RESIDUE DISPOSAL

STRAW SPREADER MOUNTING AND GUARD
HP5761 -UN-01JAN94



HP5761

7C12

RESIDUE DISPOSAL

STRAW SPREADER MOUNTING AND GUARD - CONTINUED

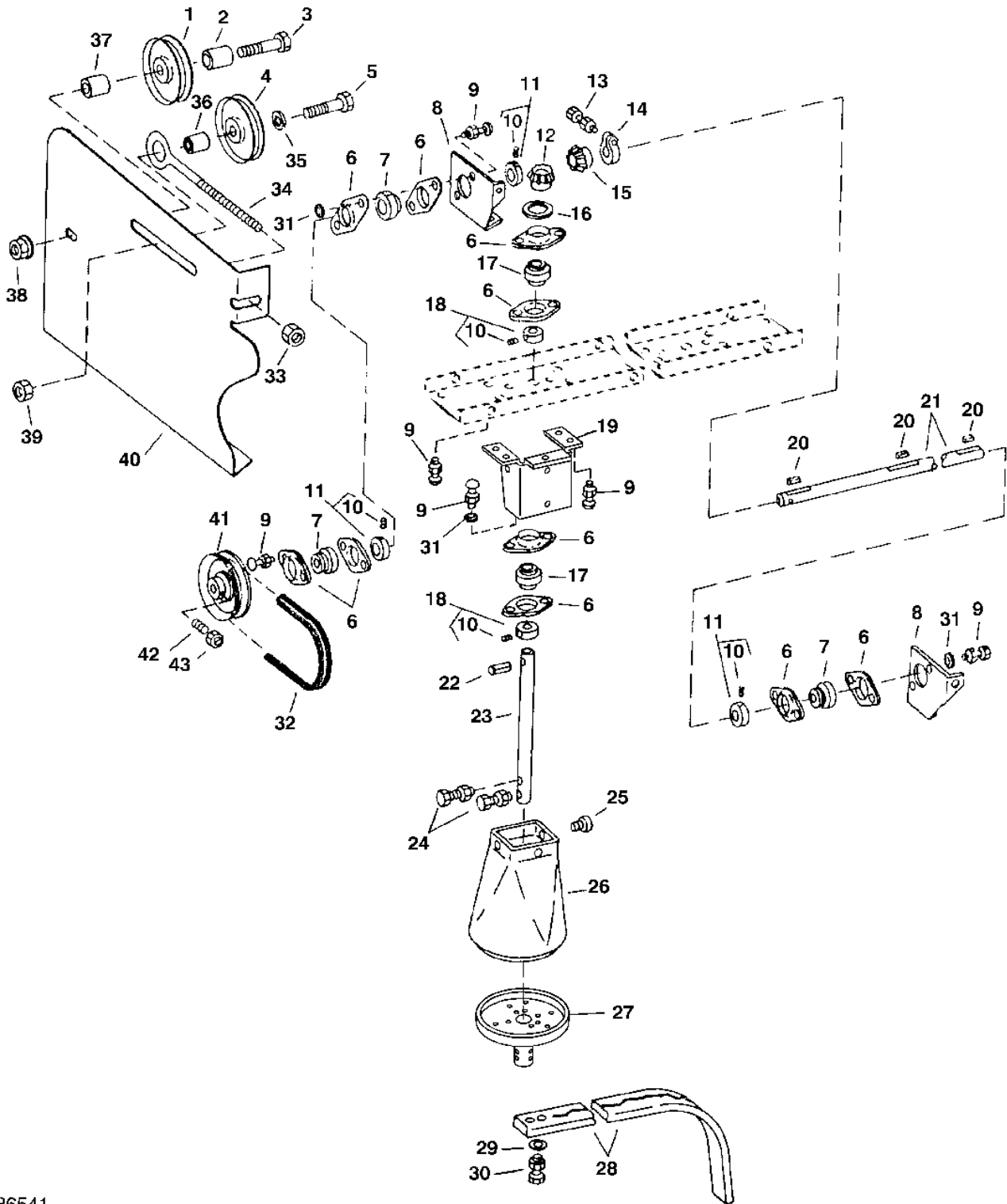
KEY	PART NO.	PART NAME	QTY	SERIAL NO.	REMARKS
1	AH134439	ANGLE	1	L.H.	
2	12H301	LOCK WASHER	1	1/2"	
3	19H1792	CAP SCREW	1	1/2" X 1"	
4	H65108	SCREW	1	(SUB H78354)	
	H78354	SCREW	1		
5	H117696	SUPPORT	1		
6	AH134438	ANGLE	1	R.H.	
7	19M7784	SCREW	1	M10 X 20	
8	H117692	SUPPORT	1		
9	19M7784	SCREW	11	M10 X 20	
	14M7296	FLANGE NUT	1	M10	
10	19M7979	SCREW	11	M8 X 55	
	14M7396	LOCK NUT	1	M8	
11	H121575	SUPPORT	1		
12	H117694	SUPPORT	1		
13	19M7866	SCREW	4	M8 X 20	
	14M7298	FLANGE NUT	4	M8	
14	19M7785	SCREW	4	M10 X 25	
15	H121576	SUPPORT	1		
16	H84932	DECAL	1		
17	AH85415	GUARD	2		
18	19M7295	CAP SCREW	2	M8 X 45	
	14M7396	LOCK NUT	1	M8	
19	TY2615	SMV EMBLEM	1		
20	24M7139	WASHER	2	6.400 X 18 X 1.600 MM	
21	37M7131	SCREW	2		
22	AH138971	REINFORCEMENT	1	R.H.	
23	AH138972	REINFORCEMENT	1	L.H.	
..	BH80007	COMPLETE GOODS/SHIP. BUNDLE	1		STRAW SPREADER WITH DRIVES
..	BH80073	COMPLETE GOODS/SHIP. BUNDLE	1		STRAW CHOPPER LOWER WITH CHAFF SPREADER

NOTE: REFER TO SPREADER CURTAIN FOR FURTHER INFORMATION ON SPREADER GROUPING.

7C13

RESIDUE DISPOSAL

STRAW SPREADER
HP6541 -UN-23AUG96



HP6541

7C14

RESIDUE DISPOSAL

STRAW SPREADER - CONTINUED

KEY	PART NO.	PART NAME	QTY	SERIAL NO.	REMARKS
1	AH14097	SHEAVE	1		
2	28H1600	SPACER	1		
3	19M7819	SCREW	1		M12 X 90
4	AM103480	IDLER	1	-636099	(SUB AM108923)
	AM108923	IDLER	1	636100-	(SUB AM103480) REINSTATED
	AM103480	IDLER	1	645429-	
5	19M7825	SCREW	1		M16 X 65
6	P44439	PRESSED FLANGED HOUSING	14		
7	JD8665	BALL BEARING	1		
8	H135493	SUPPORT	3		
9	03H1540	BOLT	20		5/16" X 3/4"
10	14H785	NUT	8		5/16"
11	JD8554	ECCENTRIC LOCKING COLLAR	4		
12	H91228	GEAR	2		(SUB AH139115) SET OF TWO GEARS
13	19M7572	CAP SCREW	2		M10 X 45
	14M7296	FLANGE NUT	2		M10
14	M2300T	CLAMP	2	-640100	(SUB H145112)
	H145112	CLAMP	2		
15	H91796	GEAR	2		(SUB AH139115) SET OF TWO GEARS
	AH139115	KIT	1		
16	24H1433	WASHER	2		29/32" X 2-1/4" X 1/4"
17	JD9442	BALL BEARING	4		
18	JD8563	ECCENTRIC LOCKING COLLAR	4		
19	AH131166	SUPPORT	2		
20	M15973	SHAFT KEY	3		(SUB H167587)
	H167587	KEY	3		
21	H134716	DRIVE SHAFT	1		
22	25H1182	GROOVE PIN	2		
23	H135494	PIN	2		
24	19M8318	SCREW	2		M8 X 45
	14M7396	LOCK NUT	2		M8
25	37M7058	SCREW	6		M8 X 20
26	H83795	GUARD	2		
27	AH131165	PLATE	2	-641499	(SUB AH141184)
	AH141184	CAP	2		
28	H76933	BLADE	6		
29	24M7207	WASHER	12		8.400 X 24 X 2 MM
30	19M7322	CAP SCREW	12		M8 X 35
	14M7396	LOCK NUT	12		M8
31	24M7238	WASHER	10		8.700 X 17 X 2 MM
32	Z33774	BELT	1		
33	14M7291	FLANGE NUT	1		M16
34	H127583	EYEBOLT	1		
35	24H1772	WASHER	1		21/32" X 1" X 0.105", (SUB 24H1365) THIS APPLICATION ONLY
	24H1365	WASHER	1		21/32" X 1" X 0.090"
36	Z33404	SPACER	1		
37	28H2514	BUSHING	1		
38	14M7299	FLANGE NUT	1		M12
39	14M7291	FLANGE NUT	1		M16
40	H135017	BRACKET	1		
41	AH130964	SHEAVE	2		
42	H138435	SET SCREW	4		
43	14M7152	NUT	1		M10
..	BH80073	COMPLETE GOODS/SHIP. BUNDLE	1		STRAW CHOPPER LOWER WITH CHAFF SPREADER
..	BH80007	COMPLETE GOODS/SHIP. BUNDLE	1		STRAW SPREADER WITH DRIVES

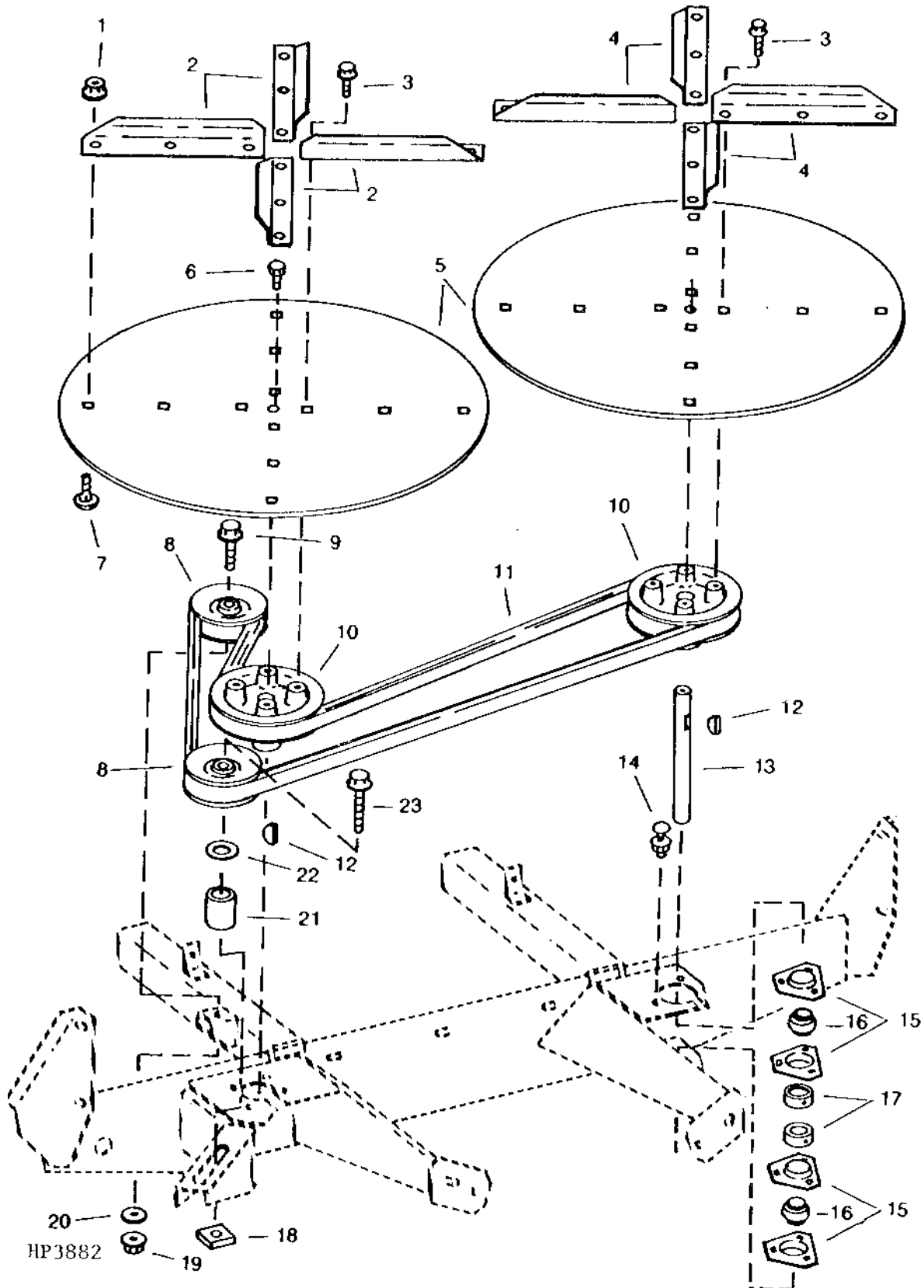
7C15

RESIDUE DISPOSAL

CHAFF SPREADER DISC AND DRIVE BELT

(-650100)

HP3882 -UN-01JAN94



7C16

RESIDUE DISPOSAL

CHAFF SPREADER DISC AND DRIVE BELT - CONTINUED
 (-650100)

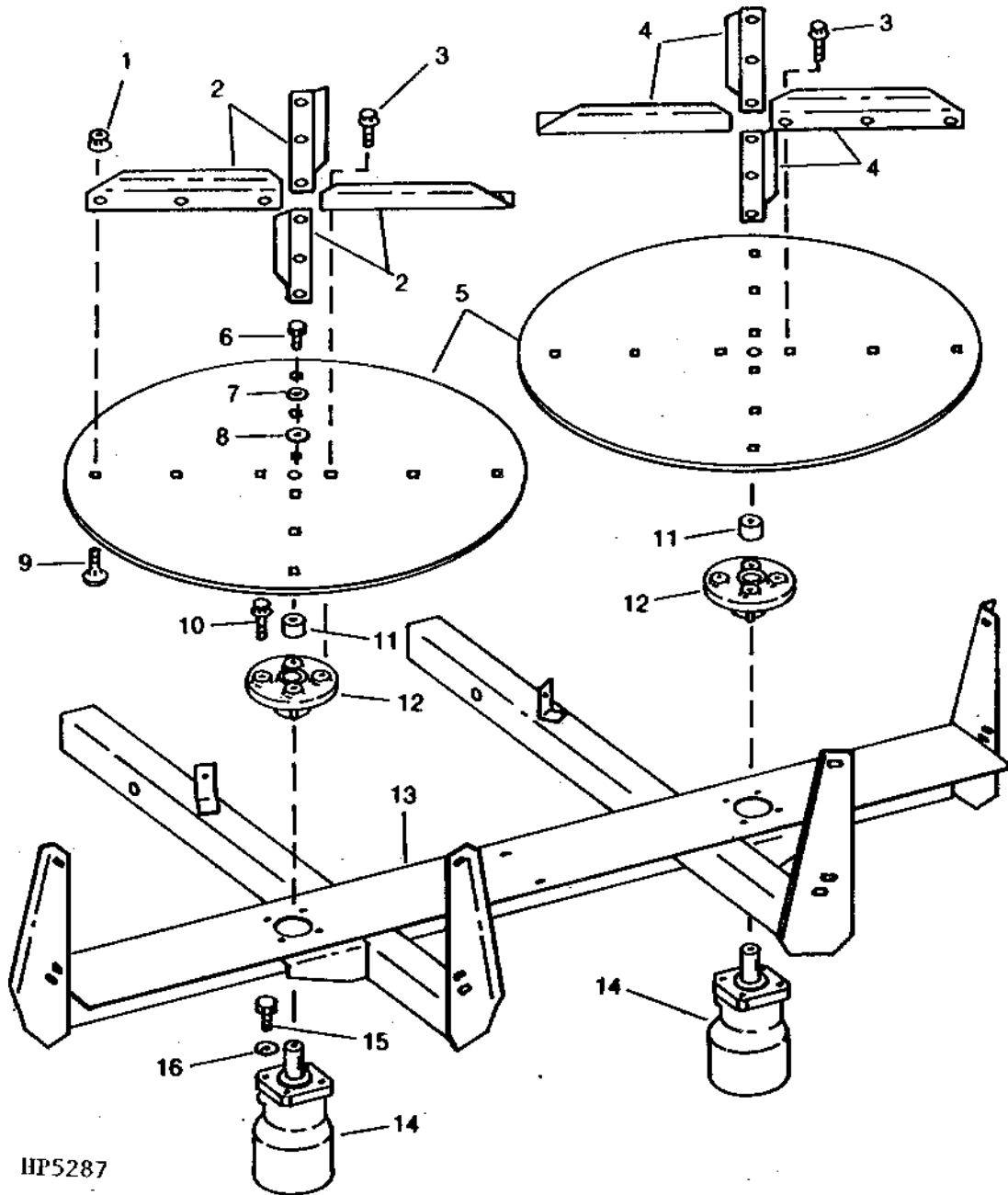
KEY	PART NO.	PART NAME	QTY	SERIAL NO.	REMARKS
1	14M7396	LOCK NUT	16	M8	
2	H140162	ANGLE	4		
3	19M7865	SCREW	8	M8 X 16	
4	H140161	ANGLE	4		
5	H136257	DISK	2		
6	19M7867	SCREW	1	M8 X 25	
7	03M7184	BOLT	16	M8 X 20	
8	AH134444	SHEAVE	2		
9	19M8112	SCREW	1	M12 X 55	
10	H139670	SHEAVE	2		
11	M95728	BELT	1		
12	26H22	SHAFT KEY	2	(SUB 26H85)	
13	H138303	SHAFT	1		
14	03M7184	BOLT	3	M8 X 20	
	14M7298	FLANGE NUT	3	M8	
15	H103264	PRESSED FLANGED HOUSING	4		
16	JD9273	BALL BEARING	2		
17	JD8554	ECCENTRIC LOCKING COLLAR	2		
18	H130957	NUT	1		
19	14M7299	FLANGE NUT	1	M12	
20	24H1790	WASHER	1	17/32" X 1-1/2" X 0.164"	
21	28H3315	BUSHING	1		
22	24M7047	WASHER	1	13 X 24 X 2.500 MM	
23	19M7819	SCREW	1	M12 X 90	

7C17

RESIDUE DISPOSAL

CHAFF SPREADER DISC (DUAL MOTOR) AND FRAME

(650101-)
HP5287 -UN-01JAN94



HP5287

7C18

RESIDUE DISPOSAL

CHAFF SPREADER DISC (DUAL MOTOR) AND FRAME - CONTINUED
(650101-)

KEY	PART NO.	PART NAME	QTY	SERIAL NO.	REMARKS
1	14M7396	LOCK NUT	16	M8	
2	H140162	ANGLE	4		
3	19M7865	SCREW	8	M8 X 16	
4	H140161	ANGLE	4		
5	H136257	DISK	2		
6	19H1898	CAP SCREW	2	1/4" X 1-1/2"	
7	12H302	LOCK WASHER	2	1/4"	
8	24H1287	WASHER	2	9/32" X 5/8" X 0.065"	
9	03M7184	BOLT	16	M8 X 20	
10	19M7865	SCREW	8	M8 X 16	
11	H123918	SPACER	2		
12	H143955	HUB	2		
13	AH137752	FRAME	1		
14	AH127887	MOTOR	2	-655158	(SUB AH141858)
	AH141858	MOTOR	2		
15	19H1731	CAP SCREW	8	3/8" X 1"	
16	12H304	LOCK WASHER	8	3/8"	
..	BH80263	ATTACH.-BUNDLE IDENTIFIER	1		CHAFF SPREADER LESS 4-WHEEL DRIVE
..	BH80264	COMPLETE GOODS/SHIP. BUNDLE	1		CHAFF SPREADER FOR 4-WHEEL DRIVE

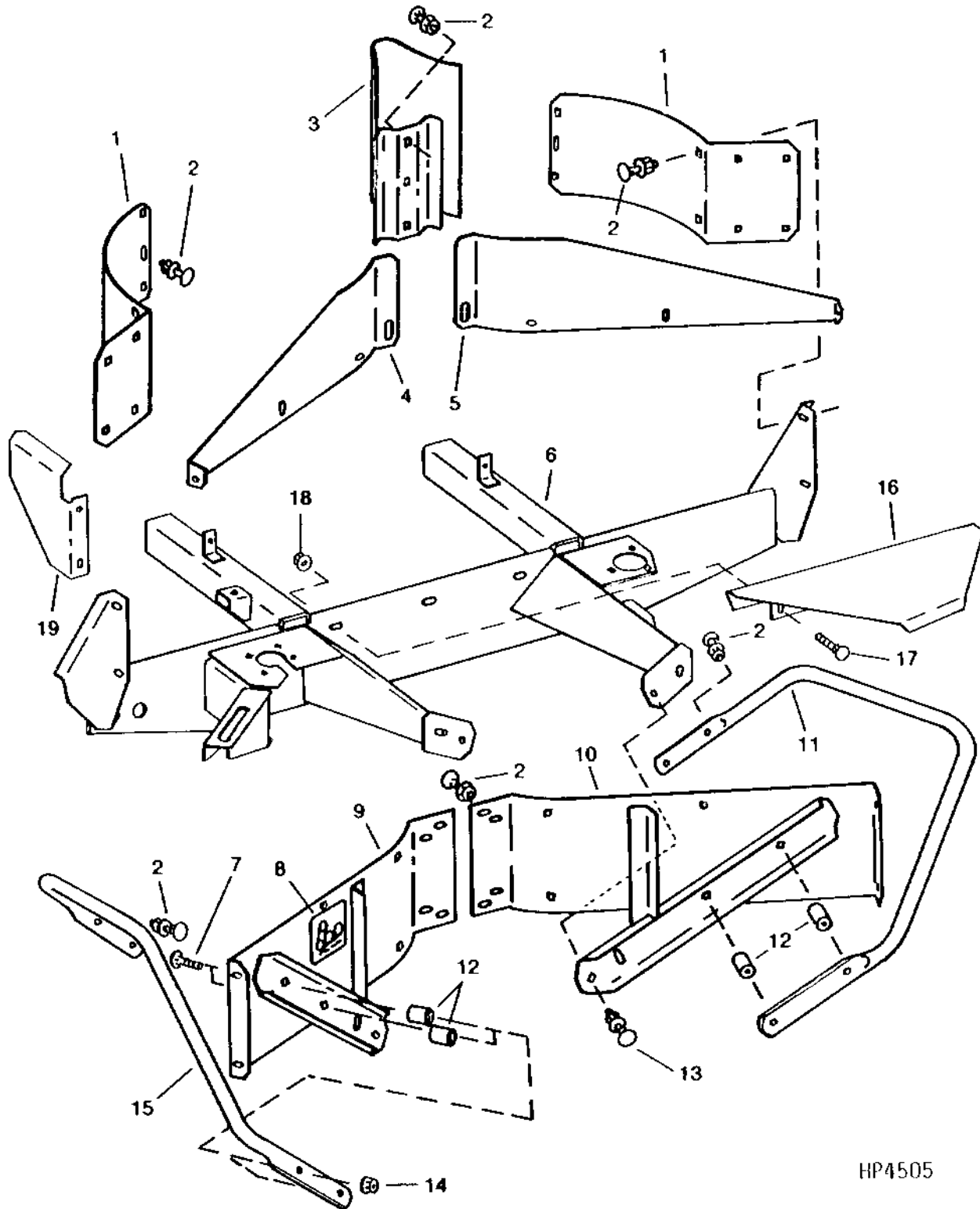
7C19

RESIDUE DISPOSAL

CHAFF SPREADER FRAME, SHIELDS AND FRAMES

(-650100)

HP4505 -UN-01JAN94



HP4505

7C20

RESIDUE DISPOSAL

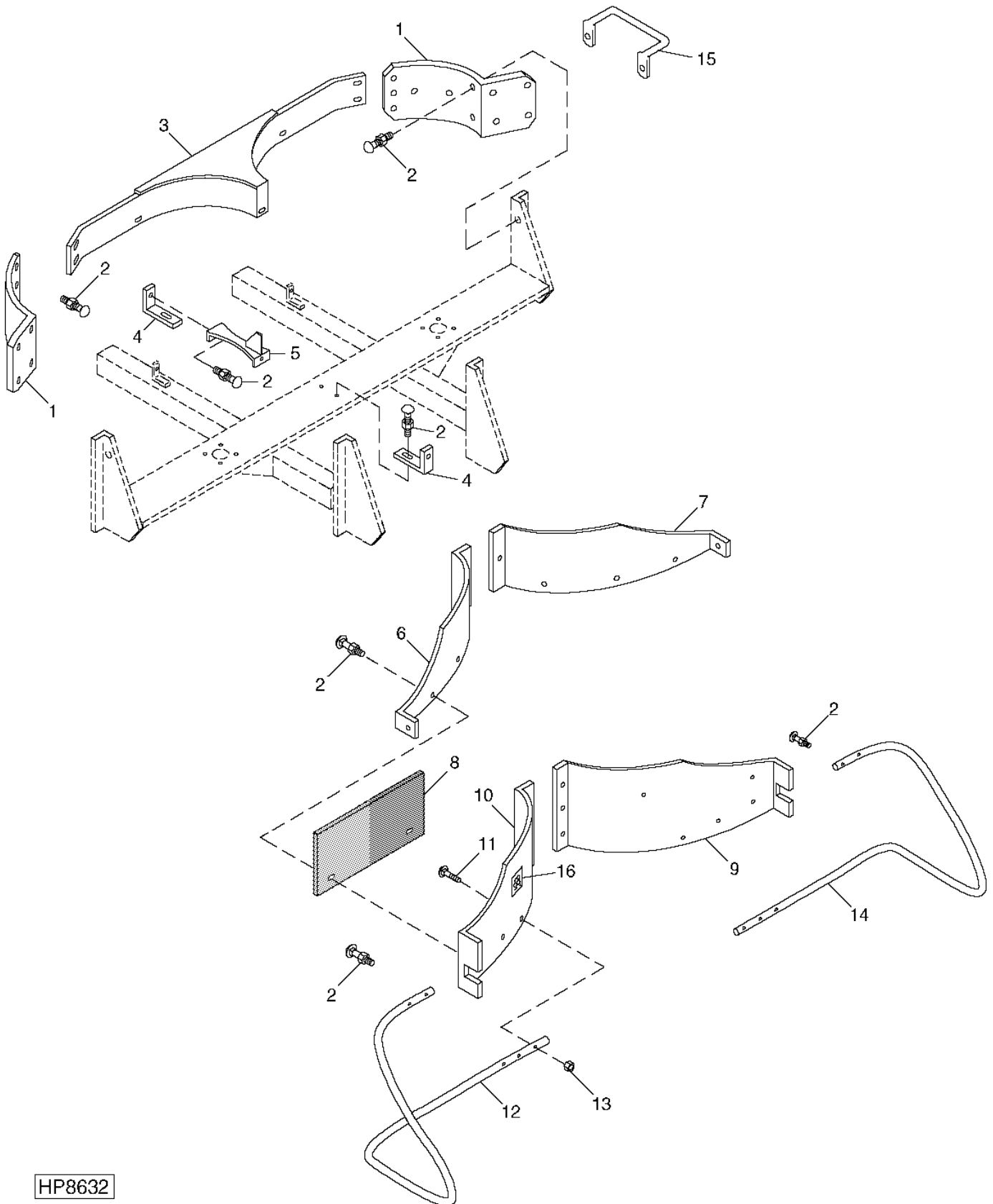
CHAFF SPREADER FRAME, SHIELDS AND HANDLES - CONTINUED
 (-650100)

KEY	PART NO.	PART NAME	QTY	SERIAL NO.	REMARKS
1	H136280	SHIELD	2		
2	03M7184	BOLT	21		M8 X 20
	14M7298	FLANGE NUT	21		M8
3	AH132852	PARTITION	1	-635949	
	AH135498	PARTITION	1	635950-	
4	H139938	SHIELD	1	-635949	
	H141107	SHIELD	1	635950-	
5	H139937	SHIELD	1	-635949	
	H141106	SHIELD	1	635950-	
6	AH134558	SUPPORT	1		
7	03M7223	BOLT	4		M8 X 60
8	H139988	LABEL	1		CHAFF SPREADER DRIVE
9	AH134580	SHIELD	1		
10	AH134579	SHIELD	1		
11	H139007	TUBE	1	-635949	
	H143743	TUBE	1	635950-	
12	28H1633	BUSHING	4		
13	19M7866	SCREW	4		M8 X 20
	14M7298	FLANGE NUT	4		M8
14	14M7298	FLANGE NUT	4		M8
15	H139008	TUBE	1	-635949	
	H143744	TUBE	1	635950-	
16	H141108	SHIELD	1	635950-	
17	03M7183	BOLT	3		M8 X 16
18	14M7298	FLANGE NUT	3		M8
19	H143762	SHIELD	1	635450-650235	REPLACED BY 19M7989 (M10 X 130) BOLT

7C21

CHAFF SPREADER (DUAL MOTOR) SHIELDS AND HANDLES

(650101-)
HP8632 -UN-23JUL99



HP8632

CHAFF SPREADER (DUAL MOTOR) SHIELDS AND HANDLES - CONTINUED
(650101-)

KEY	PART NO.	PART NAME	QTY	SERIAL NO.	REMARKS
1	H146011	SHIELD	2		
2	03M7184	BOLT	21	M8 X 20	
	14M7298	FLANGE NUT	21	M8	
3	AH137753	SHIELD	1		
4	H143948	BRACKET	2		
5	AH141652	DUST SHIELD	1		
6	H145096	SHIELD	1		
7	H145095	SHIELD	1		
8	H148107	DUST SHIELD	1		
9	H143950	SHIELD	1		
10	H143949	SHIELD	1		
11	03M7223	BOLT	6	M8 X 60	
12	H143952	TUBE	1		
13	14M7298	FLANGE NUT	6	M8	
14	H143951	TUBE	1		
15	M112639	STOP	2		
16	H139988	LABEL	1		
..	BH80263	COMPLETE GOODS/SHIP. BUNDLE	1		CHAFF SPREADER LESS 4-WHEEL DRIVE
..	BH80264	COMPLETE GOODS/SHIP. BUNDLE	1		CHAFF SPREADER FOR 4-WHEEL DRIVE

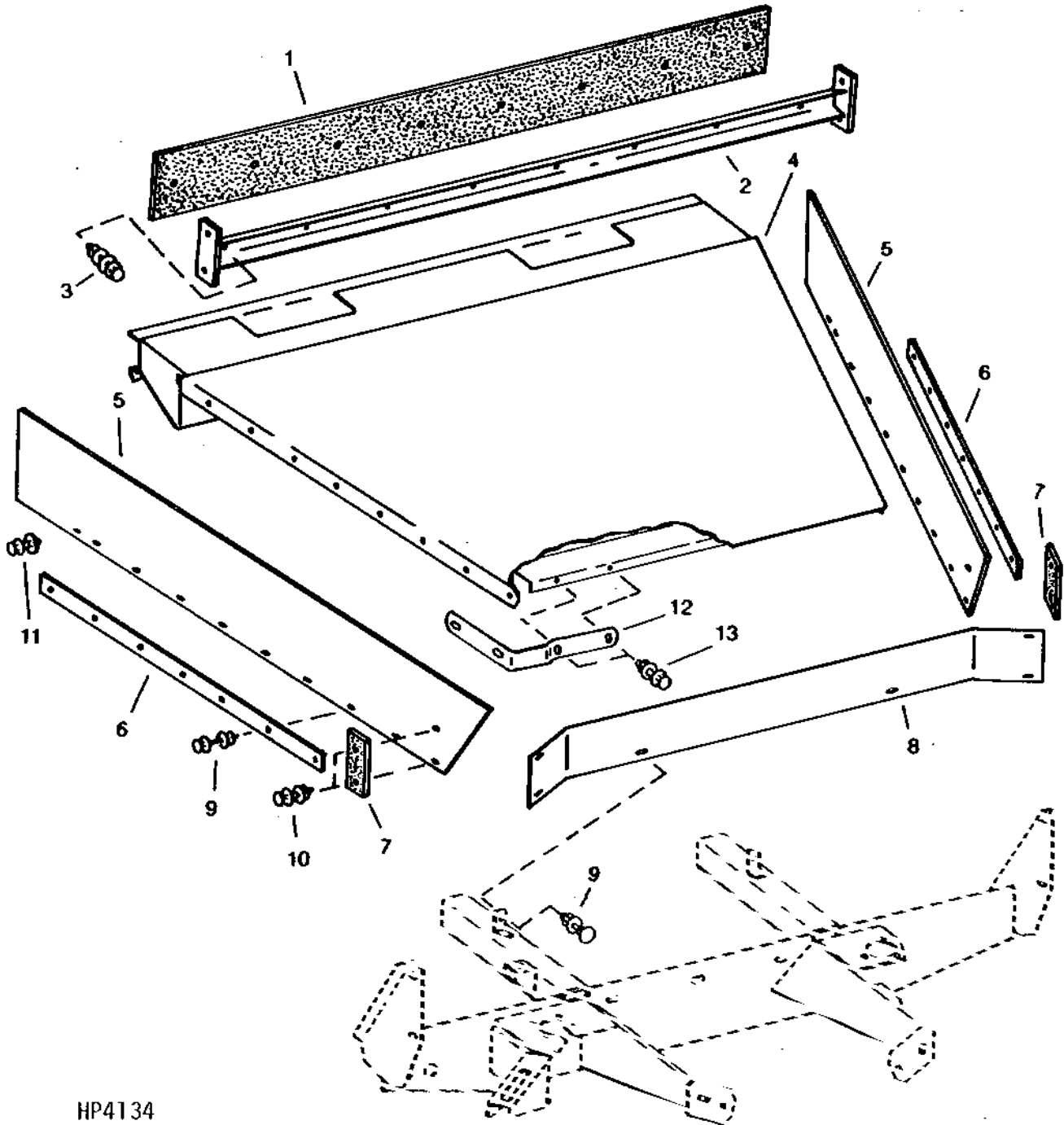
7C23

RESIDUE DISPOSAL

CHAFF SPREADER PAN AND SEALS

(-650100)

HP4134 -UN-01JAN94



HP4134

CHAFF SPREADER PAN AND SEALS - CONTINUED
 (-650100)

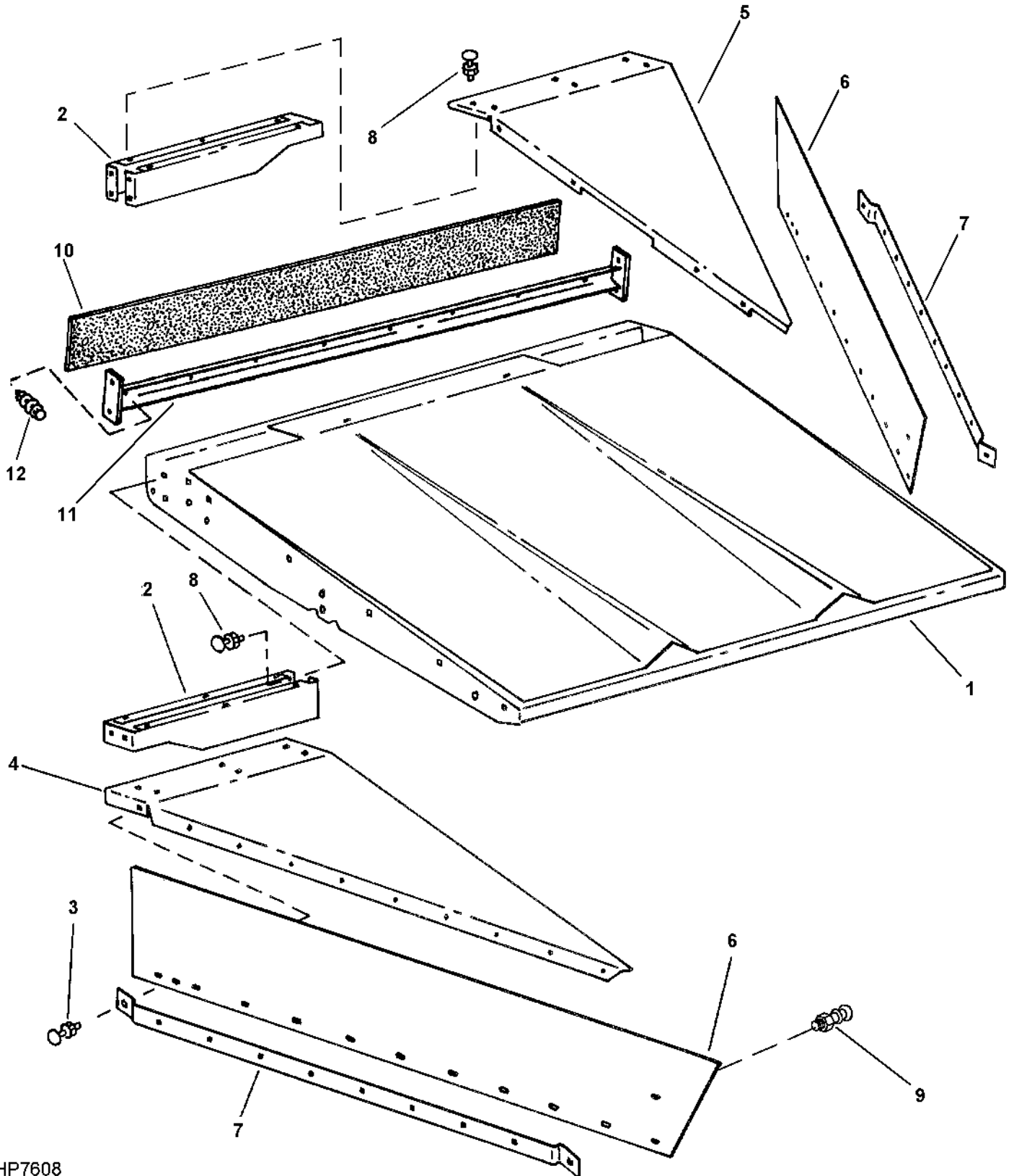
KEY	PART NO.	PART NAME	QTY	SERIAL NO.	REMARKS
1	H135844	FLAP	1		
2	AH132361	CROSSBAR	1		
3	19M7863	SCREW	8		M6 X 25
	24M7207	WASHER	8		8.400 X 24 X 2 MM
	14M7303	FLANGE NUT	8		M6
4	AH132359	FRAME	1	-645296	(SUB AH141042)
	AH141042	FRAME	1		
5	H136300	SEAL	2		
6	H136299	REINFORCEMENT	2		
7	H139006	STRAP	2		
8	H136279	SHIELD	1		
9	19M7866	SCREW	18		M8 X 20
	14M7298	FLANGE NUT	18		M8
10	19M7867	SCREW	4		M8 X 25
	14M7298	FLANGE NUT	4		M8
	24H1294	WASHER	4		11/32" X 1-1/8" X 1/16"
	24H1790	WASHER	4		17/32" X 1-1/2" X 0.164"
11	19M7867	SCREW	4		M8 X 25
	24H1294	WASHER	4		11/32" X 1-1/8" X 1/16"
12	H143714	STRAP	2	635798-	
13	19M7866	SCREW	4	638579-	M8 X 20
	14M7298	FLANGE NUT	4	637684-	M8
..	BH80175	COMPLETE GOODS/SHIP. BUNDLE	1		CHAFF SPREADER LESS 4-WHEEL DRIVE
..	BH80176	COMPLETE GOODS/SHIP. BUNDLE	1		CHAFF SPREADER FOR 4-WHEEL DRIVE

7D1

RESIDUE DISPOSAL

CHAFF SPREADER (DUAL MOTOR) PAN, WINGS AND SEALS

(650101-)
HP7608 -UN-31AUG98



HP7608

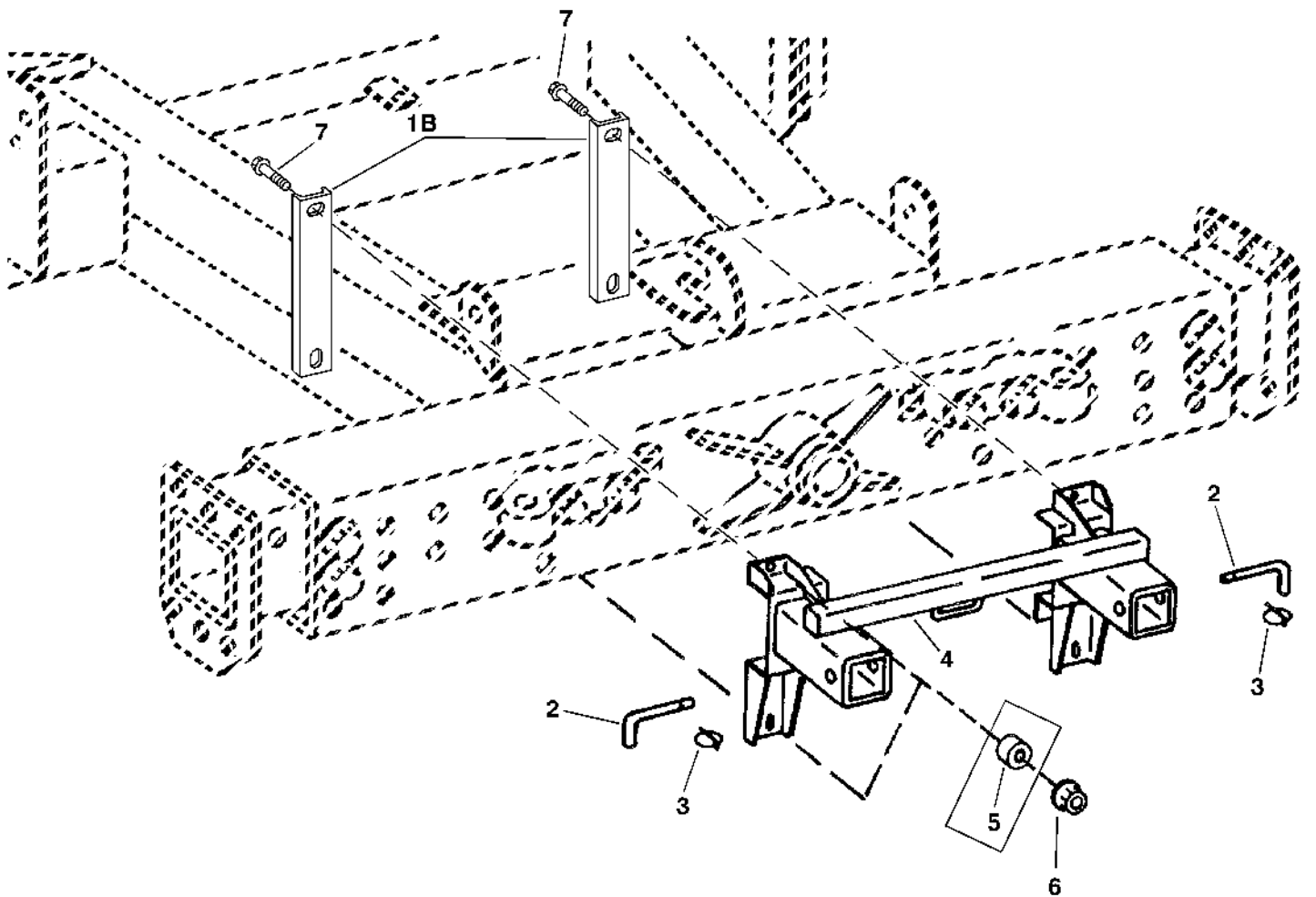
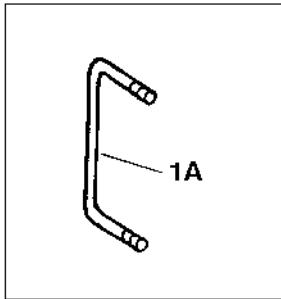
CHAFF SPREADER (DUAL MOTOR) PAN, WINGS AND SEALS - CONTINUED
(650101-)

KEY	PART NO.	PART NAME	QTY	SERIAL NO.	REMARKS
1	AH137975	FRAME	1		
2	H144161	SUPPORT	2		
3	03M7184	BOLT	20	29SEP8-	M8 X 20
	14M7396	LOCK NUT	20	29SEP8-	M8
4	H144157	SHEET	1		
5	H144158	SHEET	1		
6	H148025	DEFLECTOR	2		
7	H144163	STRAP	2		
8	03M7184	BOLT	28	29SEP8-	M8 X 20
	14M7298	FLANGE NUT	28	29SEP8-	M8
9	03M7184	BOLT	2	29SEP8-	M8 X 20
	24M7207	WASHER	2	29SEP8-	8.400 X 24 X 2 MM
	14M7396	LOCK NUT	2	29SEP8-	M8
10	H135844	FLAP	1	29SEP8-	
11	AH132361	CROSSBAR	1	29SEP8-	
12	19M7863	SCREW	9	29SEP8-	M6 X 25
	24M7207	WASHER	9	29SEP8-	8.400 X 24 X 2 MM
	14M7303	FLANGE NUT	9	29SEP8-	M6
..	BH80263	COMPLETE GOODS/SHIP. BUNDLE	1		CHAFF SPREADER LESS 4-WHEEL DRIVE
..	BH80264	COMPLETE GOODS/SHIP. BUNDLE	1		CHAFF SPREADER FOR 4-WHEEL DRIVE
..	BH79815	COMPLETE GOODS/SHIP. BUNDLE	1		CHAFF PAN WING AND EXTERNAL BUNDLE

7D3

RESIDUE DISPOSAL

CHAFF SPREADER MOUNTING SUPPORT
HP7199 -UN-23OCT97



HP7199

7D4

RESIDUE DISPOSAL

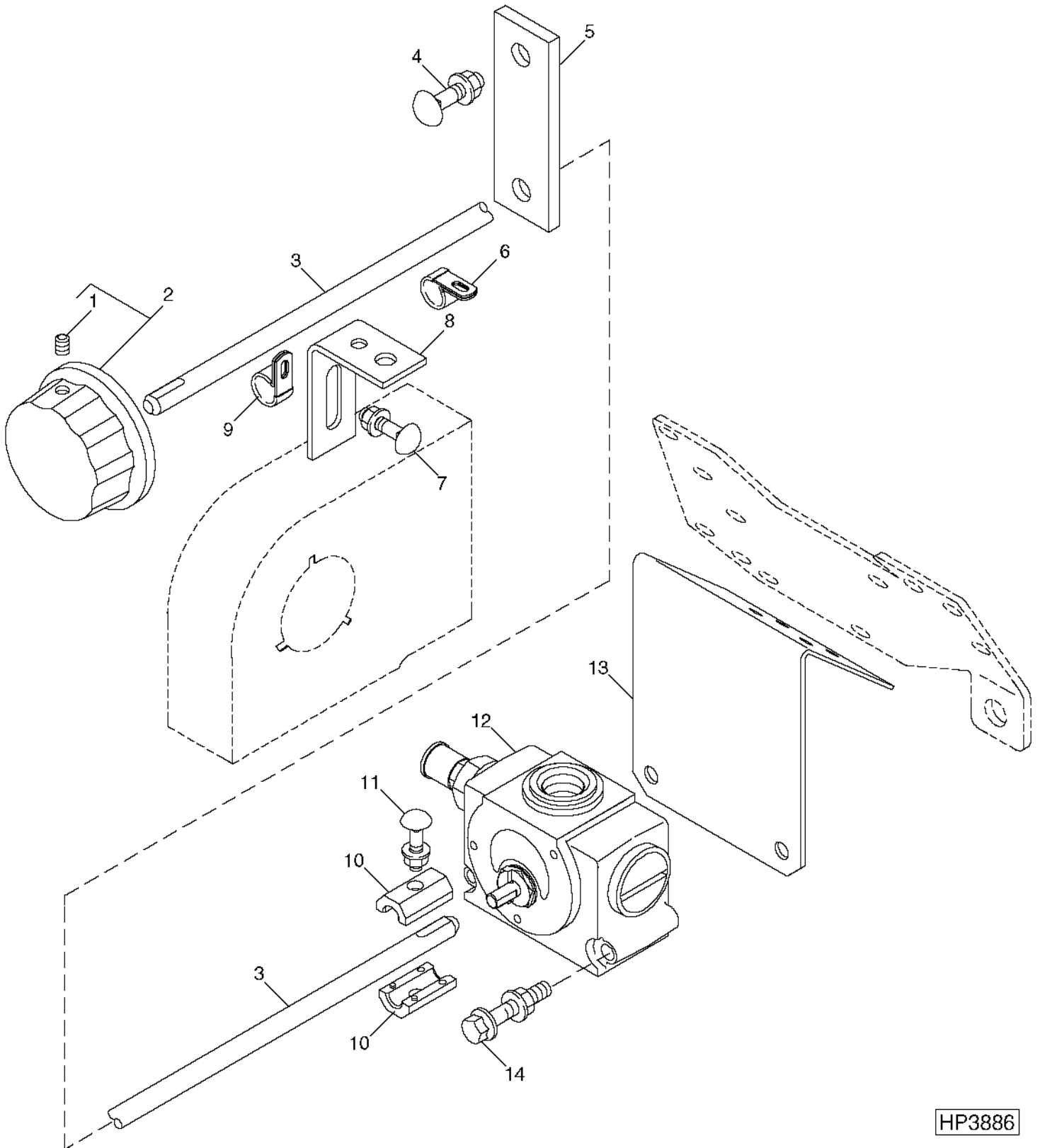
CHAFF SPREADER MOUNTING SUPPORT - CONTINUED

KEY	PART NO.	PART NAME	QTY	SERIAL NO.	REMARKS
1A	H136263	U-BOLT	2	-645645	(SUB H148202 AND N61709)
	H148202	U-BOLT	2		(SUB H164605)
1B	H164605	CHANNEL	2		
2	H139005	PIN	2		
3	M72598	QUICK LOCK PIN	2		
4	AH132759	SUPPORT	1	-645645	
	AH137751	SUPPORT	1	645646-	
5	N61709	BUSHING	4	645646-	
6	14M7299	FLANGE NUT	4		
7	19M7822	SCREW	4		
..	BH80263	COMPLETE GOODS/SHIP. BUNDLE	1		CHAFF SPREADER LESS 4-WHEEL DRIVE
..	BH80264	COMPLETE GOODS/SHIP. BUNDLE	1		CHAFF SPREADER FOR 4-WHEEL DRIVE

7D5

RESIDUE DISPOSAL

CHAFF SPREADER CONTROL, CHECK VALVE, ROD AND KNOB
HP3886 -UN-24AUG99



HP3886

7D6

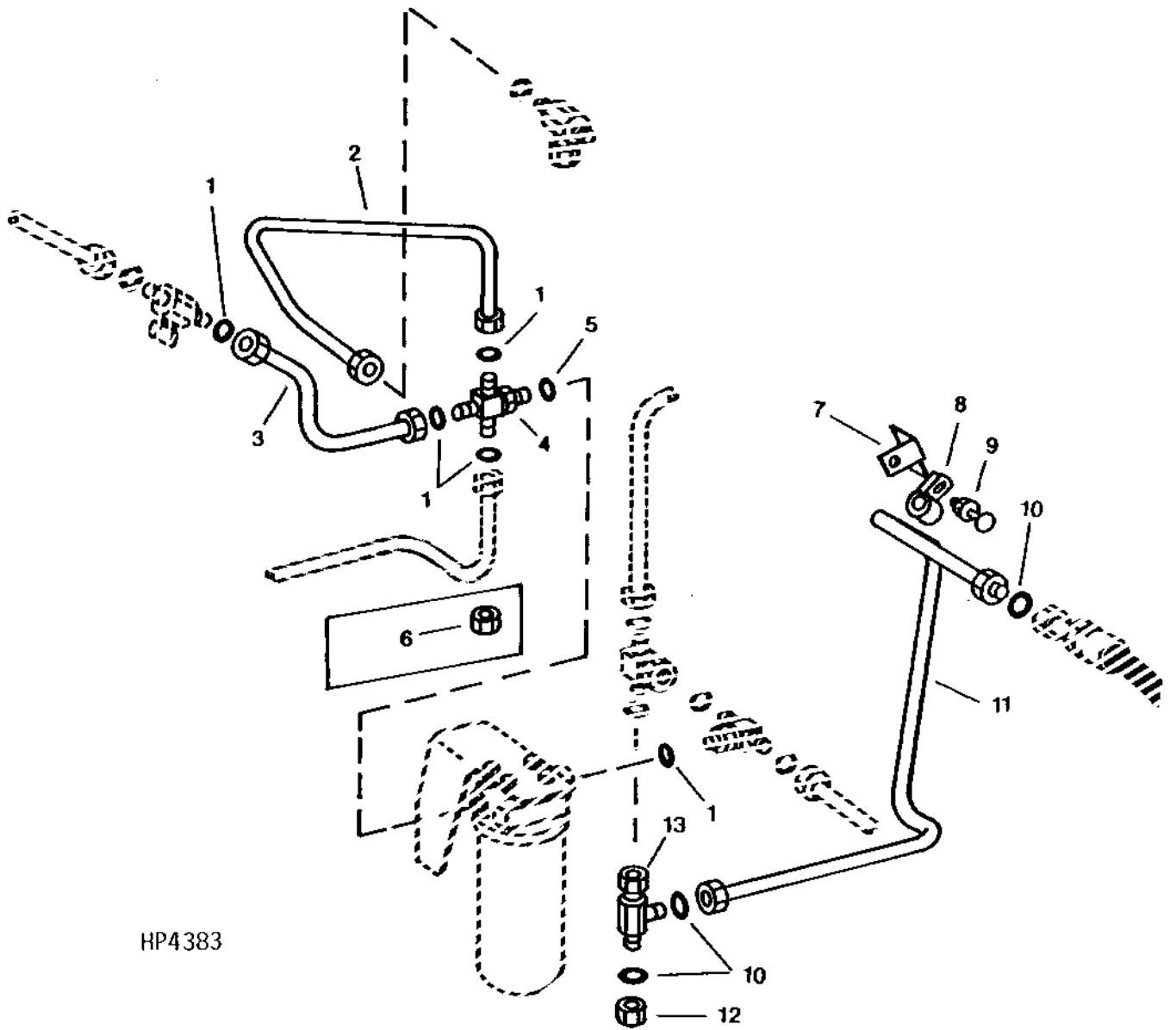
RESIDUE DISPOSAL

CHAFF SPREADER CONTROL, CHECK VALVE, ROD AND KNOB - CONTINUED

KEY	PART NO.	PART NAME	QTY	SERIAL NO.	REMARKS
1	SET SCREW	2		
2	AH132988	KNOB	1		
3	H137867	ROD	1		(SUB (2) H114020 AND (2) H144896 AND 03M7290 AND 14M7303)
4	H144896 37M7183	PIN SCREW	1 1		
	14M7298	FLANGE NUT	1	M8	
5	H139006	STRAP	1		
6	AH11015	CLIP	1		
7	03M7184	BOLT	1	M8 X 20	
	14M7298	FLANGE NUT	1	M8	
8	H137866	BRACKET	1		
9	AH76882	CLIP	1	-6OCT97	
10	H114020	HALF CLAMP	2		
11	19M7775	SCREW	1	M6 X 16	
	14M7303	FLANGE NUT	1	M6	
12	AH130180	CHECK VALVE	1	-635168	(SUB AH136202)
	AH136202	CHECK VALVE	1	635169-640684	(SUB AH140902)
	AH140902	CHECK VALVE	1		
	AH136202	CHECK VALVE	1		
13	H137865	BRACKET	1		
14	19M7979	SCREW	2	M8 X 55	
	14M7298	FLANGE NUT	2	M8	
..	BH80263	COMPLETE GOODS/SHIP. BUNDLE	1		CHAFF SPREADER LESS 4-WHEEL DRIVE
..	BH80264	COMPLETE GOODS/SHIP. BUNDLE	1		CHAFF SPREADER FOR 4-WHEEL DRIVE

7D7

CHAFF SPREADER LINES AND FITTINGS
HP4383 -UN-01JAN94



HP4383

7D8

RESIDUE DISPOSAL

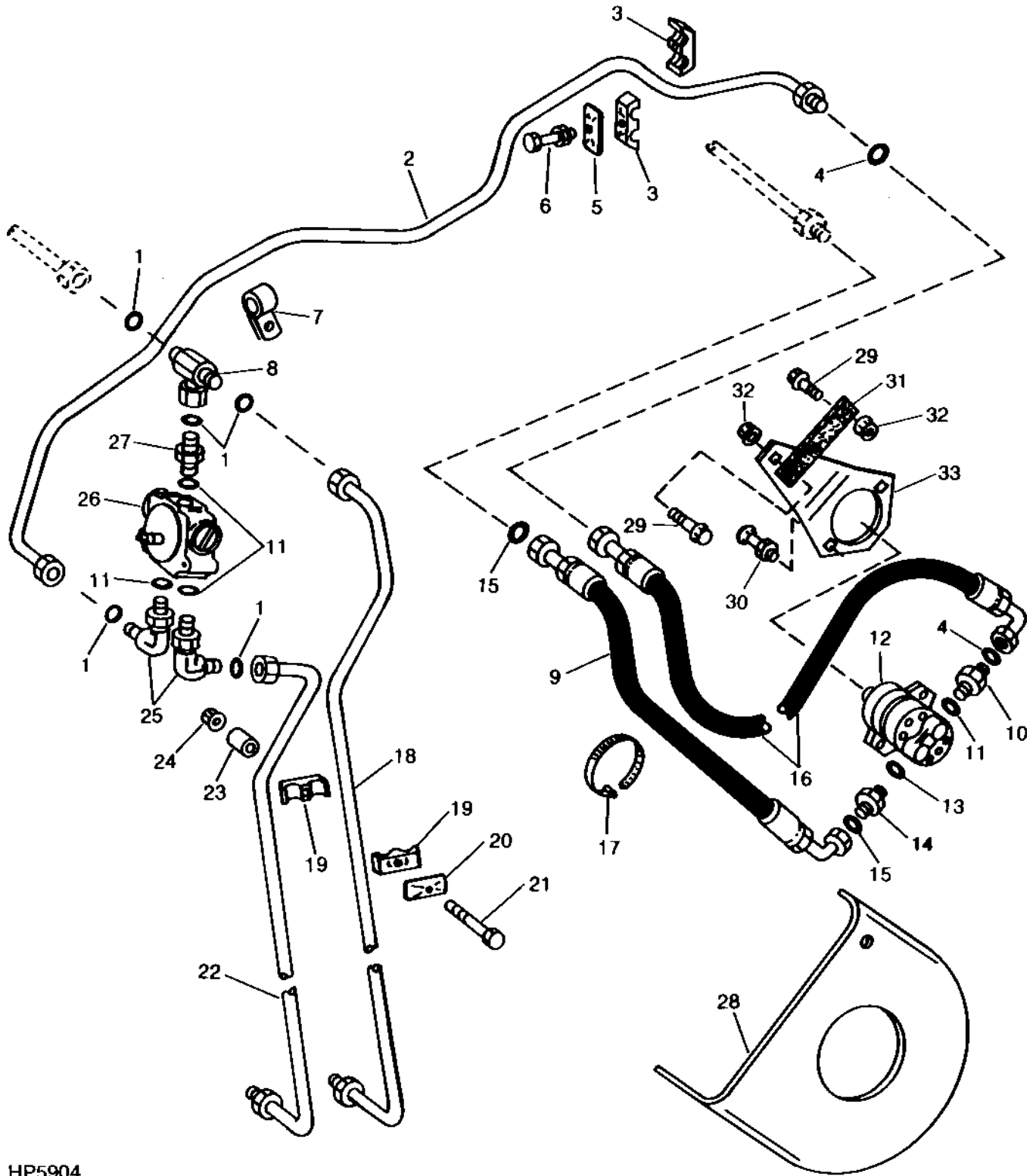
CHAFF SPREADER LINES AND FITTINGS - CONTINUED

KEY	PART NO.	PART NAME	QTY	SERIAL NO.	REMARKS
1	T77858	O-RING	5		
2	AH133759	OIL LINE	1		
3	AH126169	OIL LINE	1		
4	AH132031	FITTING	1		
5	R29936	O-RING	1		
6	38H1418	FITTING PLUG	1		
7	H139964	BRACKET	1		
8	AH83545	CLIP	1	-635748	(SUB R72659)
	R72659	CLAMP	1		
9	03M7183	BOLT	1		M8 X 16
	14M7298	FLANGE NUT	1		M8
10	T76938	O-RING	3		
11	AH133770	LINE	1		
12	38H1419	FITTING PLUG	1		
13	38H1467	TEE FITTING	1		
..	BH80263	COMPLETE GOODS/SHIP. BUNDLE	1		CHAFF SPREADER LESS 4-WHEEL DRIVE
..	BH80264	COMPLETE GOODS/SHIP. BUNDLE	1		CHAFF SPREADER FOR 4-WHEEL DRIVE

7D9

RESIDUE DISPOSAL

CHAFF SPREADER LINES, HOSES, VALVE AND PUMP
HP5904 -UN-17DEC94



HP5904

7D10

RESIDUE DISPOSAL

CHAFF SPREADER LINES, HOSES, VALVE AND PUMP - CONTINUED

KEY	PART NO.	PART NAME	QTY	SERIAL NO.	REMARKS
1	T77932	O-RING	1	-640100	
	T77932	O-RING	2	640101-	
2	AH133758	OIL LINE	1		
3	H120362	CLAMP	2		
4	T77857	O-RING	2		
5	H112567	PLATE	1		
6	19M7801	SCREW	1		M8 X 60
	14M7298	FLANGE NUT	1		M8
7	T27523	CLAMP	1		
8	38H1040	TEE FITTING	1		
9	AH132200	HYDRAULIC HOSE	1		1-3/16" X 975 MM (38-1/2") X 1-3/16", (SUCTION)
10	38H1174	ADAPTER	1		
11	R26906	O-RING	1		
12	AH134555	PUMP	1		
13	R29936	O-RING	1		
14	38H1194	ADAPTER	1		
15	T77858	O-RING	1	-640100	
16	AH132201	HYDRAULIC HOSE	1		13/16" X 980 MM (38-1/2") X 13/16", (PRESSURE)
17	H77698	TIE BAND	1		
18	AH133949	OIL LINE	1		
19	H120847	CLAMP	2		
20	H121168	PLATE	1		
21	19M7873	SCREW	1		M8 X 110
22	AH133948	OIL LINE	1		
23	L3483N	BUSHING	1		USED W/O 4-WHEEL DRIVE
24	14M7298	FLANGE NUT	1		M8
25	38H1006	ELBOW FITTING	2		
26	AH130180	CHECK VALVE	1	-635168	(SUB AH136202) SEE REEL DRIVE FLOW CONTROL VALVE FOR PARTS
	AH136202	CHECK VALVE	1	635169-640684	(SUB AH140902)
	AH140902	CHECK VALVE	1		
27	38H1162	ADAPTER	1		
28	H137603	SHIELD	1		
29	19M7867	SCREW	2		M8 X 25
30	03M7186	BOLT	1		
	14M7298	FLANGE NUT	2		M8
31	H78340	STRAP	1		
32	14M7298	FLANGE NUT	2		M8
33	H137602	ARM	1		
..	BH80263	COMPLETE GOODS/SHIP. BUNDLE	1		CHAFF SPREADER LESS 4-WHEEL DRIVE
..	BH80264	COMPLETE GOODS/SHIP. BUNDLE	1		CHAFF SPREADER FOR 4-WHEEL DRIVE

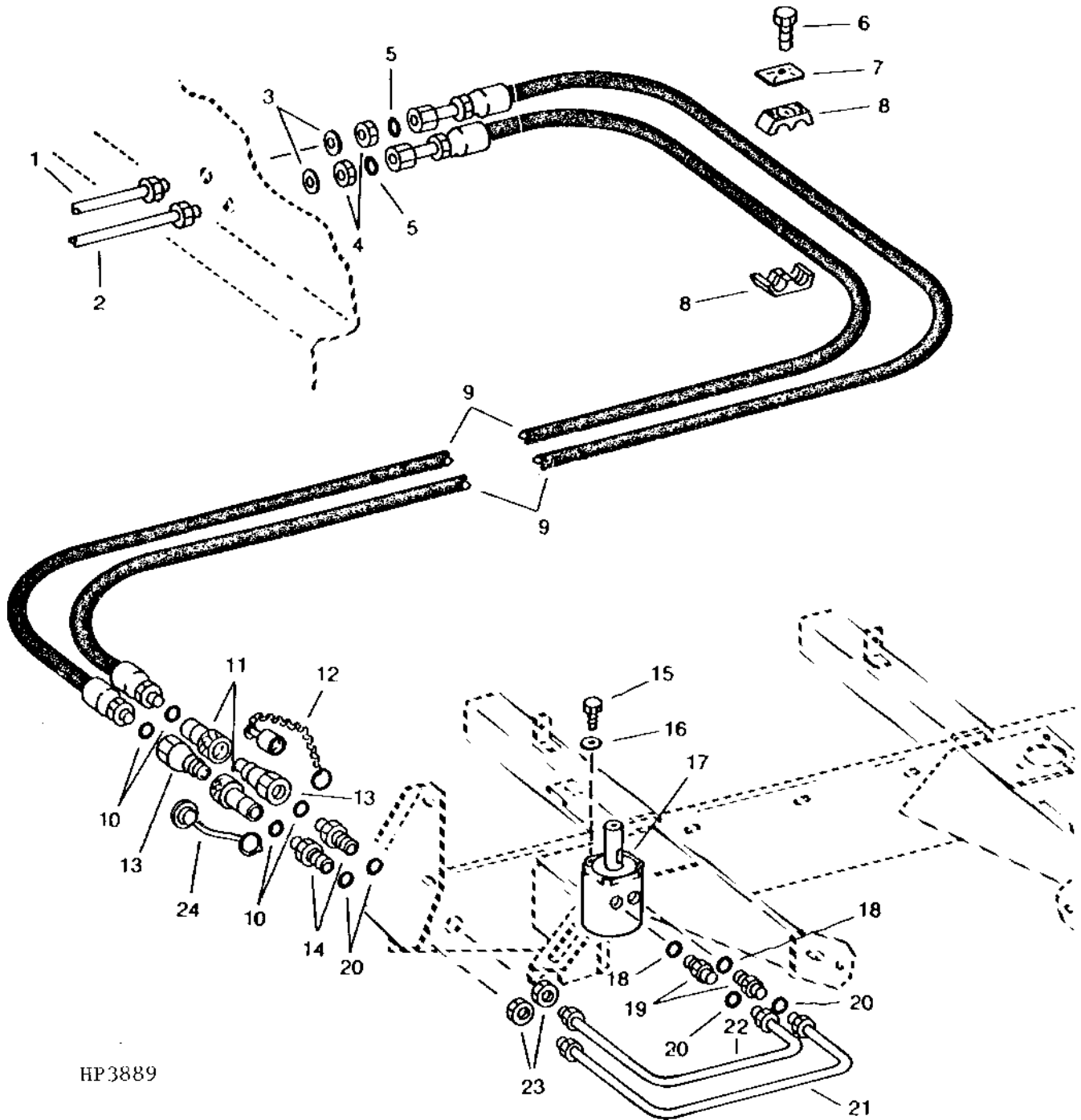
7D11

RESIDUE DISPOSAL

CHAFF SPREADER HOSES, LINES AND MOTOR

(-650100)

HP3889 -UN-01JAN94



HP3889

7D12

RESIDUE DISPOSAL

CHAFF SPREADER HOSES, LINES AND MOTOR - CONTINUED
(-650100)

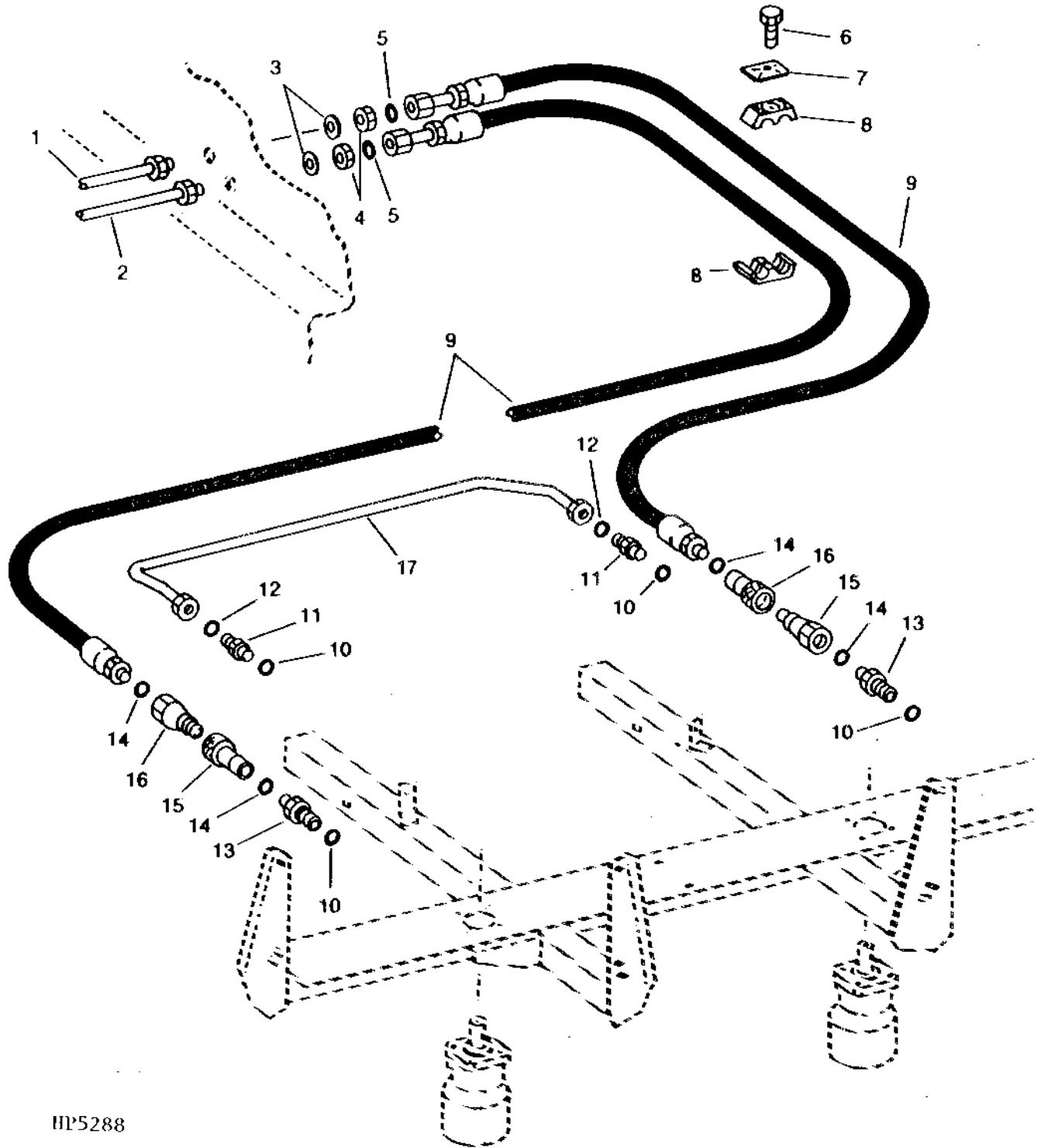
KEY	PART NO.	PART NAME	QTY	SERIAL NO.	REMARKS
1	AH133948	OIL LINE	1		PRESSURE
2	AH133949	OIL LINE	1		RETURN
3	24M7051	WASHER	2		21 X 37 X 3 MM
4	T78716	NUT	2		
5	T77857	O-RING	2		
6	19M8039	SCREW	1		M8 X 80
7	H112567	PLATE	1		
8	H122772	CLAMP	2		
9	AH133950	HYDRAULIC HOSE	2		
10	R26375	O-RING	2		
11	AH75167	HYD. QUICK-CONNECT COUPLER	2		(INCLUDES INTERNAL O-RING)
12	A15898	CAP	1		
13	AR94522	INTERNAL HALF COUPLER	2		
14	H137729	FITTING	2		
15	19H1936	CAP SCREW	4		
16	12H304	LOCK WASHER	4		3/8"
17	AH133196	MOTOR	1		
18	R26906	O-RING	2		
19	38H1162	ADAPTER	2		
20	T77932	O-RING	2		
21	AH134680	OIL LINE	1		RETURN
22	AH134679	OIL LINE	1		PRESSURE
23	T80306	NUT	2		
24	H125403	PLUG	1		

7D13

RESIDUE DISPOSAL

CHAFF SPREADER (DUAL MOTOR) HOSES AND LINES

(650101-)
HP5288 -UN-01JAN94



HP5288

7D14

RESIDUE DISPOSAL

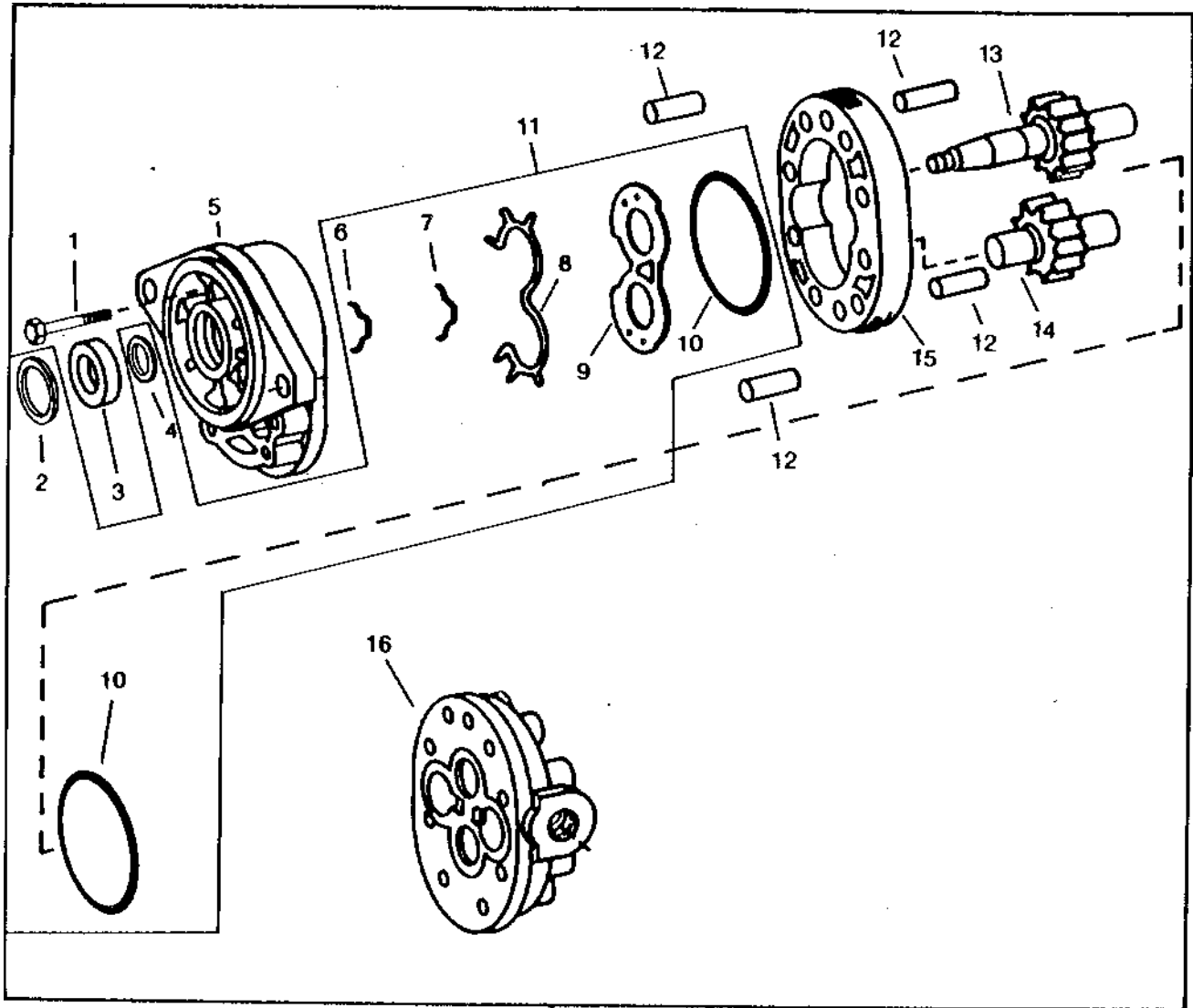
CHAFF SPREADER (DUAL MOTOR) HOSES AND LINES - CONTINUED
(650101-)

KEY	PART NO.	PART NAME	QTY	SERIAL NO.	REMARKS
1	AH133948	OIL LINE	1		PRESSURE
2	AH133949	OIL LINE	1		RETURN
3	24M7051	WASHER	2		21 X 37 X 3 MM
4	T78716	NUT	2		20.625 MM
5	T77857	O-RING	2		
6	19M8039	SCREW	1		M8 X 80
7	H112567	PLATE	1		
8	H122772	CLAMP	2		
9	AH138718	HYDRAULIC HOSE	2		
10	R26906	O-RING	8		
11	38H1162	ADAPTER	3		
12	T77932	O-RING	9		
13	T62843	ADAPTER	2		
14	R26375	O-RING	4		
15	AH75167	HYD. QUICK-CONNECT COUPLER	2		(INCLUDES INTERNAL O-RING)
16	AR94522	INTERNAL HALF COUPLER	2		
17	AH137986	OIL LINE	1		
..	BH80263	COMPLETE GOODS/SHIP. BUNDLE	1		CHAFF SPREADER LESS 4-WHEEL DRIVE
..	BH80264	COMPLETE GOODS/SHIP. BUNDLE	1		CHAFF SPREADER FOR 4-WHEEL DRIVE

7D15

RESIDUE DISPOSAL

CHAFF SPREADER PUMP
HP5085 -UN-01JAN94



HP5085

17

7D16

RESIDUE DISPOSAL

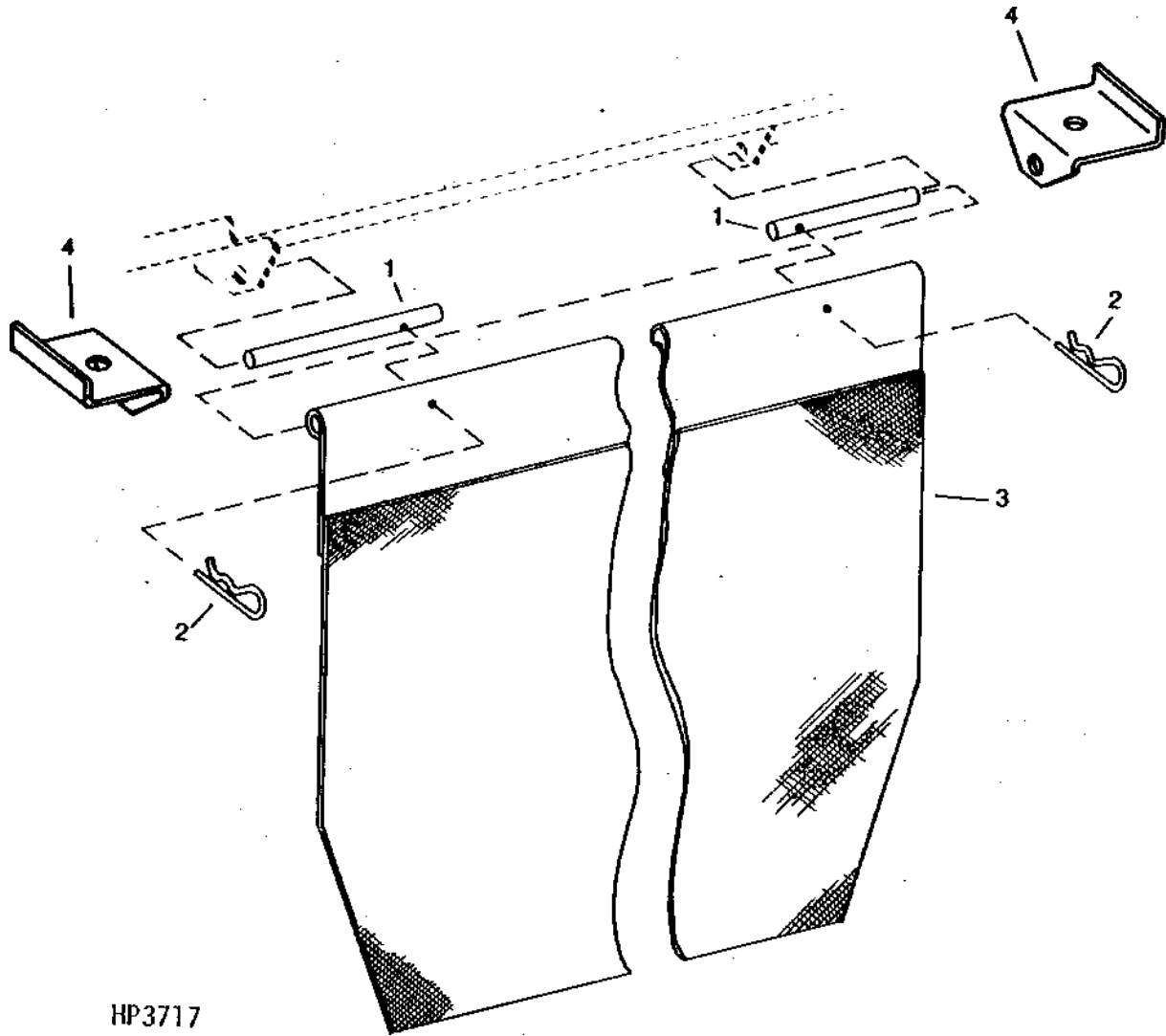
CHAFF SPREADER PUMP - CONTINUED

KEY	PART NO.	PART NAME	QTY	SERIAL NO.	REMARKS
1	E61791	BOLT	8		
2	M41029	SNAP RING	1		
3	AH131842	SEAL	1		
4	M48869	WASHER	1		
5	PLATE	1		(SUB AH134555)
6	SEAL	1		
7	GASKET	1		
8	GASKET	1		
9	WEAR PLATE	1		
10	H80821	O-RING	2		
11	AH131176	SEAL KIT	1		
12	H116213	DOWEL PIN	4		
13	AH134554	GEAR	1		
14	GEAR	1		(SUB AH134555)
15	HOUSING	1		(SUB AH134555)
16	PLATE	1		(SUB AH134555)
17	AH134555	PUMP	1		(CESSNA NO. R25305-RAL) REMANUFACTURED
..	BH80263	COMPLETE GOODS/SHIP. BUNDLE	1		CHAFF SPREADER LESS 4-WHEEL DRIVE
..	BH80264	COMPLETE GOODS/SHIP. BUNDLE	1		CHAFF SPREADER FOR 4-WHEEL DRIVE

7D17

RESIDUE DISPOSAL

SPREADER CURTAIN (-640194)
HP3717 -UN-01JAN94



HP3717

7D18

RESIDUE DISPOSAL

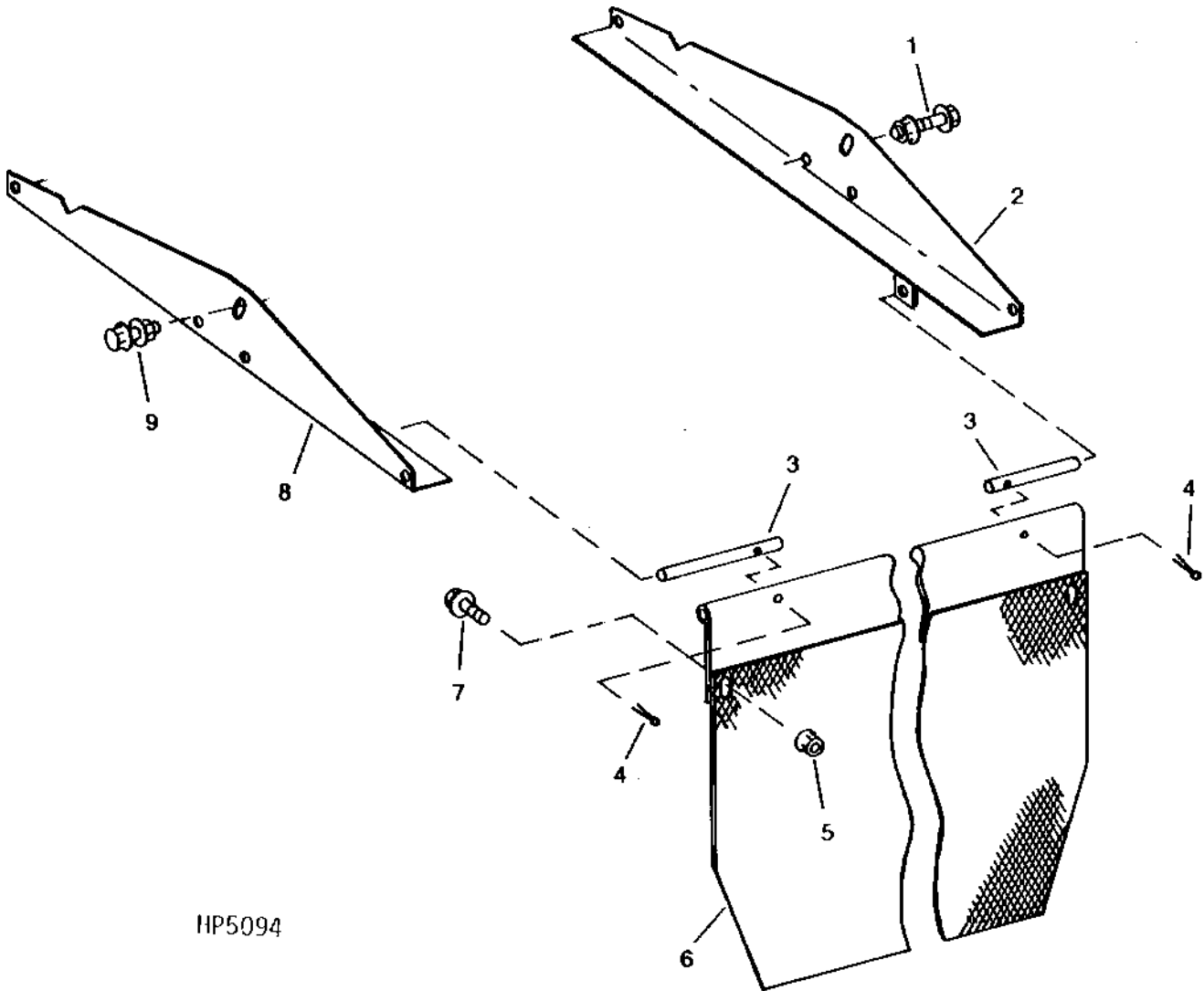
SPREADER CURTAIN - CONTINUED
(-640194)

KEY	PART NO.	PART NAME	QTY	SERIAL NO.	REMARKS
1	H131865	PIN	2		
2	11H229	COTTER PIN	2	-645161	3/32" X 2", (SUB 11M7086)
	11M7086	COTTER PIN	2		2.500 X 50 MM
3	AH135658	LIMIT CURTAIN	1		
4	H135209	BRACKET	2		
5	19M7865	SCREW	2		M8 X 16
6	14M7298	FLANGE NUT	2		M8
..	BH80007	COMPLETE GOODS/SHIP. BUNDLE	1		STRAW SPREADER WITH DRIVE

7D19

RESIDUE DISPOSAL

SPREADER CURTAIN (640195-)
HP5094 -UN-01JAN94



HP5094

7D20

RESIDUE DISPOSAL

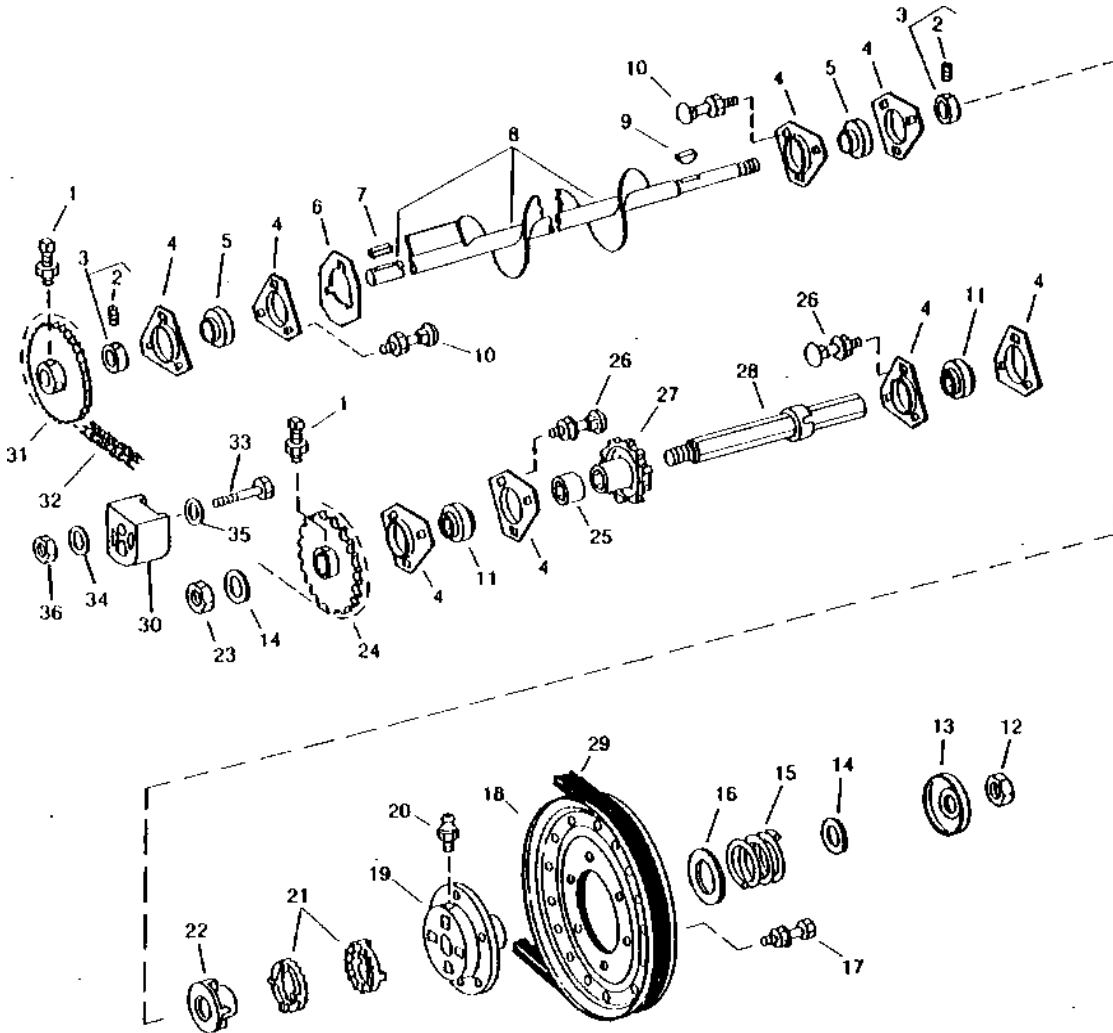
SPREADER CURTAIN - CONTINUED
(640195-)

KEY	PART NO.	PART NAME	QTY	SERIAL NO.	REMARKS
1	19M7809	SCREW	4	M10 X 70	
	14M7296	FLANGE NUT	4	M10	
2	AH138971	REINFORCEMENT	1		
3	H131865	PIN	2		
4	11M7086	COTTER PIN	2	2.500 X 50 MM	
5	14M7298	FLANGE NUT	2	M8	
6	AH135658	LIMIT CURTAIN	1		
7	19M7865	SCREW	2	M8 X 16	
8	AH138972	REINFORCEMENT	1		
9	19M7785	SCREW	1	M10 X 25	
	14M7296	FLANGE NUT	1	M10	
..	BH80007	COMPLETE GOODS/SHIP. BUNDLE	1	STRAW SPREADER WITH DRIVE	

7D21

RESIDUE DISPOSAL

LOWER TAILINGS AUGER, SHAFT AND TIGHTENER
HP5817 -UN-01JAN94



HP5817

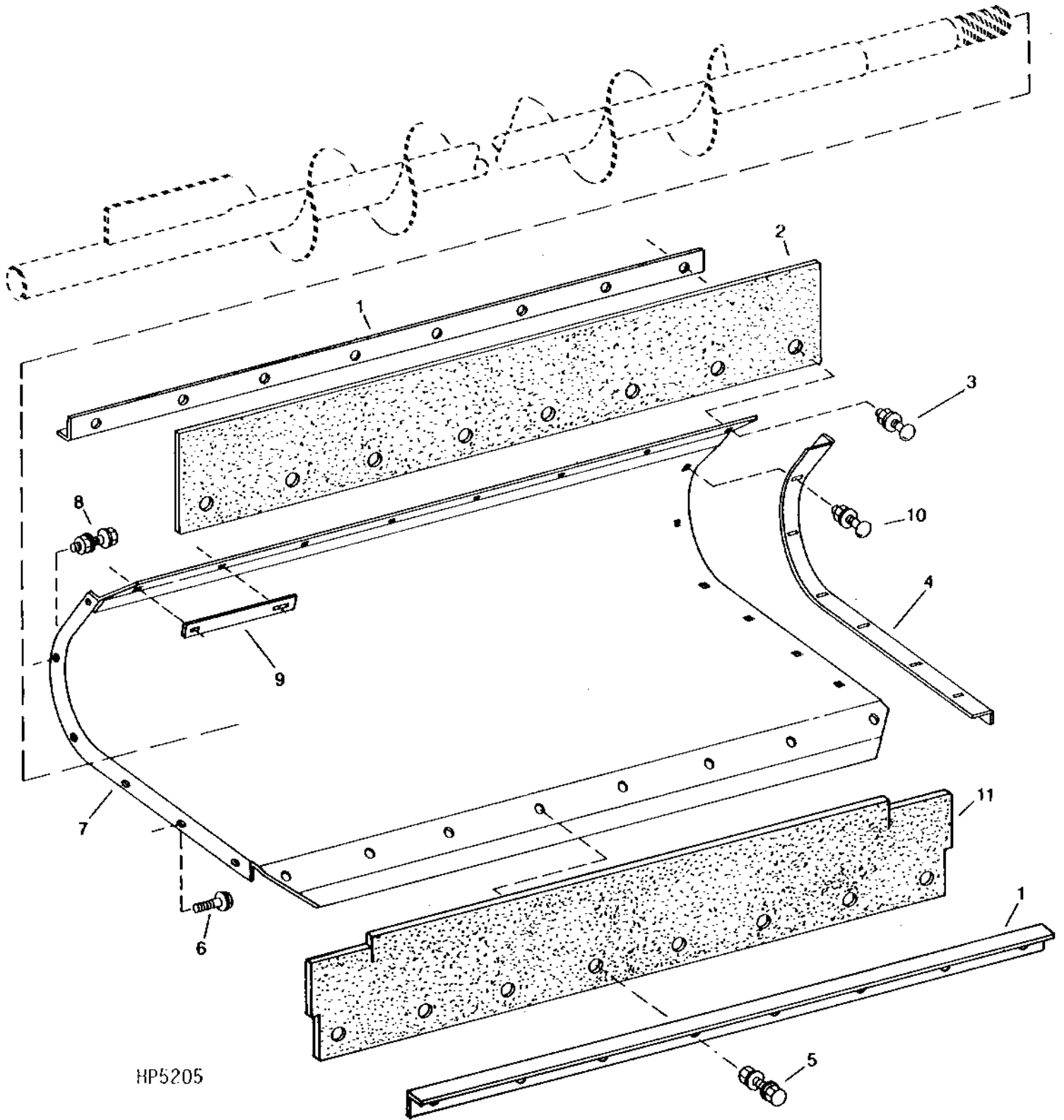
LOWER TAILINGS AUGER, SHAFT AND TIGHTENER - CONTINUED

KEY	PART NO.	PART NAME	QTY	SERIAL NO.	REMARKS
1	H138435	SET SCREW	AR		
	14M7274	NUT	AR	M10	
2	22M7080	SET SCREW	2	M8 X 8	
3	AZ10045	ECCENTRIC LOCKING COLLAR	2		
4	E10018	PRESSED FLANGED HOUSING	AR		
5	JD39103	BALL BEARING	2		
6	H132906	PLATE	1		
7	49M4111	SHAFT KEY	1		
8	AH126206	AUGER	1	-640100	(SUB AH140213) LOWER
	AH140213	AUGER	1	-660333	(SUB AH146322) LOWER
	AH146322	AUGER	1		(LOWER)
9	26H19	SHAFT KEY	1		1/4" X 7/8"
10	03M7191	BOLT	AR		M10 X 25
	14M7296	FLANGE NUT	AR		M10
11	JD9313	BALL BEARING	2		
12	14M7300	FLANGE NUT	1		M20
13	AH126677	CAP	1		
14	24M7051	WASHER	2		21 X 37 X 3 MM
15	J21022	SPRING	1		
16	24M7176	WASHER	1		56 X 72 X 3 MM
17	19M7867	SCREW	AR		M8 X 25
	14M7298	FLANGE NUT	AR		M8
18	AH126388	SHEAVE	1		270 MM (10-1/2") DIA.
19	H97574	HUB	1		
20	JD7797	LUBRICATION FITTING	1		1/4" STRAIGHT
21	H128265	SLIP CLUTCH	2		
22	H85015	HUB	1		
23	14M7428	LOCK NUT	1	-640684	M20
	A31870	LOCK NUT	1	640685-	(SUB 14M7340)
24	AH130572	CHAIN SPROCKET	1		18-TOOTH
25	H134605	SPACER	1		
26	03M7190	BOLT	AR		M10 X 20
	14M7296	FLANGE NUT	AR		M10
27	H134603	CHAIN SPROCKET	1		8-TOOTH
28	AH130570	SHAFT	1		LOWER CONVEYOR
29	N110085	BELT	1		
30	H136582	TIGHTENER	1		
31	AH121047	CHAIN SPROCKET	1		18-TOOTH
32	AH126239	ROLLER CHAIN	1		ROLLER, TYPE 50, 16 MM (5/8") PITCH, 43 LINKS (ASSEMBLE FROM AH18482 OR AP22459, (1) P20351 AND (1) P20352)
33	03M7245	BOLT	1		M8 X 55
34	24M7207	WASHER	1	655312-	8.400 X 24 X 2 MM
35	H75716	LOCK WASHER	1	655312-	13.220 MM
36	14M7298	FLANGE NUT	1		M8

7D23

RESIDUE DISPOSAL

LOWER TAILINGS AUGER TROUGH
HP5205 -UN-01JAN94



HP5205

7D24

RESIDUE DISPOSAL

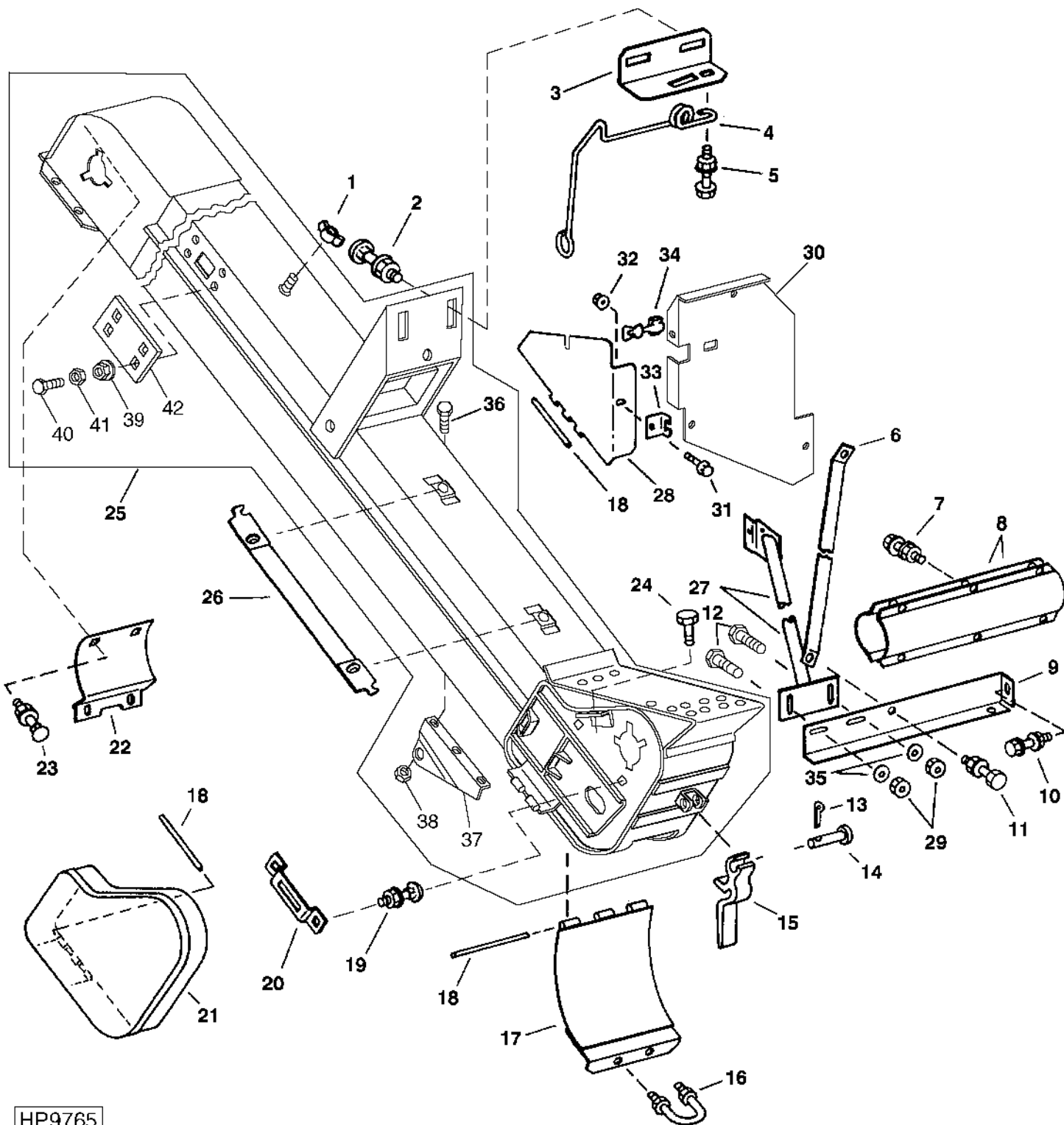
LOWER TAILINGS AUGER TROUGH - CONTINUED

KEY	PART NO.	PART NAME	QTY	SERIAL NO.	REMARKS
1	H134308	REINFORCEMENT	2		
2	H134314	STRAP	2	-645302	
	H134314	STRAP	1	645303-	FRONT
3	03M7184	BOLT	AR	-660118	M8 X 20
	19M7865	SCREW	AR	660119-	M8 X 16
	14M7298	FLANGE NUT	AR		M8
4	H134317	SUPPORT	1		
5	19M7865	SCREW	AR		M8 X 16
	14M7298	FLANGE NUT	AR		M8
6	19M7866	SCREW	2		M8 X 20
7	AH131741	TROUGH	1		(SUB AH138655)
	AH138655	TROUGH	1		
8	19M7866	SCREW	4		M8 X 20
	14M7298	FLANGE NUT	4		M8
9	H137585	STRAP	1		
10	03M7183	BOLT	AR		M8 X 16
	14M7298	FLANGE NUT	AR		M8
11	H147660	SEAL	1	645305-	REAR

7E1

RESIDUE DISPOSAL

TAILINGS ELEVATOR HOUSING
HP9765 -UN-24MAY00



HP9765

TAILINGS ELEVATOR HOUSING - CONTINUED

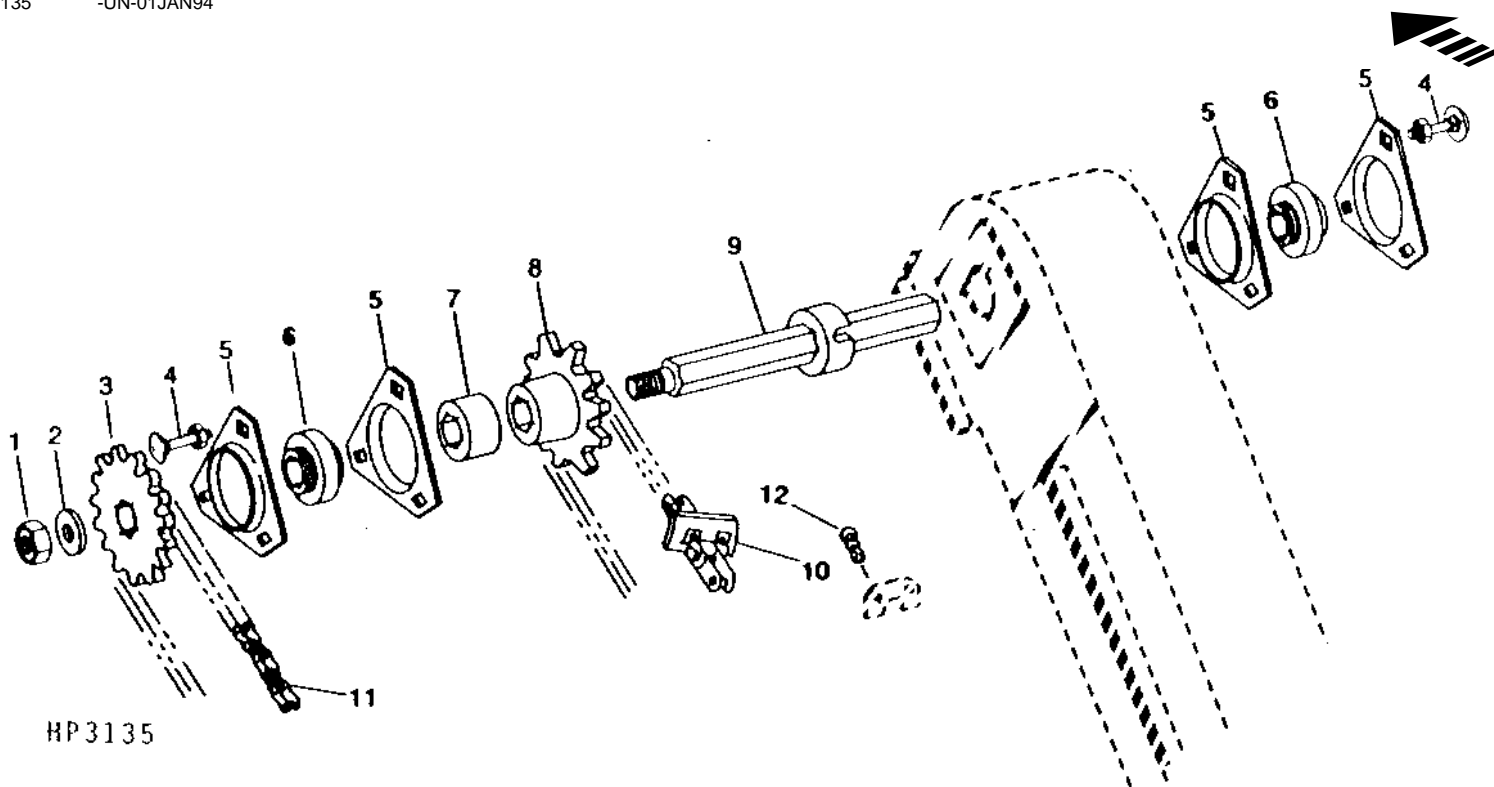
KEY	PART NO.	PART NAME	QTY	SERIAL NO.	REMARKS
1	14M7020	WING NUT	1		M8
2	19M7784	SCREW	2		M10 X 20
	14M7296	FLANGE NUT	2		M10
3	H132708	BRACKET	1		
4	H130930	SPRING	1		
5	19M7784	SCREW	1		M10 X 20
	14M7296	FLANGE NUT	1		M10
6	H136047	SUPPORT	1	-640816	
	H146536	SUPPORT	1	640817-	
7	19M7868	SCREW	AR		M8 X 30
	14M7298	FLANGE NUT	AR		M8
8	H136054	HOUSING	2		SOLID
	H136055	HOUSING	2		PERFORATED
9	H130667	SUPPORT	1		(SUB H171006)
	H171006	SUPPORT	1		
10	19M7785	SCREW	2		M10 X 25
	14M7296	FLANGE NUT	2		M10
11	19M7865	SCREW	1		M8 X 16
	14M7298	FLANGE NUT	1		M8
12	19M7785	SCREW	2		M10 X 25
13	11M7081	COTTER PIN	1		2.500 X 20 MM
14	RV810A	PIN	1		
15	H101297	LEVER	1		
16	H105519	U-BOLT	1		
	24M7139	WASHER	2		6.400 X 18 X 1.600 MM
	14M7397	LOCK NUT	2		M6
17	AH130892	DOOR	1		SOLID
	AH130893	DOOR	1		PERFORATED
18	H76083	PIN	3		CUT TO LENGTH
19	03M7184	BOLT	2		M8 X 20
	14M7298	FLANGE NUT	2		M8
20	H130661	BRACKET	1		
21	AH130886	SHIELD	1		
22	H134826	DEFLECTOR	1	-650100	
	H147846	DEFLECTOR	1	650101-	
23	03M7183	BOLT	2		M8 X 16
	14M7298	FLANGE NUT	2		M8
24	19M7865	SCREW	1		M8 X 16
25	AH169233	KIT	1		COMPLETE TAILINGS ELEVATOR HOUSING, (SUB FOR AH131808, AH137288, AH136239, AH141573 OR AH156177)
26	H149997	GRIP	1		(SUB FOR AH131213)
27	AH142163	SUPPORT	1		(SUB FOR AH132855)
28	H152086	SHIELD	1	-29SEP7	(SUB FOR H141547)
	H160715	SHIELD	1	29SEP7-	UPPER DOOR
29	14M7296	FLANGE NUT	2		M10
30	H141548	SHIELD	1	-643899	
	H154959	SHIELD	1	643900-	(SUB FOR H146537)
31	19M7775	SCREW	1		M6 X 16
32	14M7303	FLANGE NUT	1		M6
33	H141549	CLAMP	1	640101-	
34	A44990	LATCH	1	640101-	
35	H129716	WASHER	2	-645585	17 X 58 X 8 MM
	24M7239	WASHER	2	645586-	10.700 X 21 X 2.500 MM
36	19M7866	SCREW	3		M8 X 20
37	H158736	PLATE	1		
38	14M7298	FLANGE NUT	3		M8
39	M80082	NUT	8		
40	03M7221	BOLT	8		M6 X 16
41	14M7303	FLANGE NUT	8		M6
42	H168019	COVER	2		
..	H149099	DECAL	1		
..	BH71710	COMPLETE GOODS/SHIP. BUNDLE	1		PERFORATED DOORS

7E3

RESIDUE DISPOSAL

TAILINGS ELEVATOR CONVEYOR CHAIN, SPROCKETS AND BEARINGS

HP3135 -UN-01JAN94

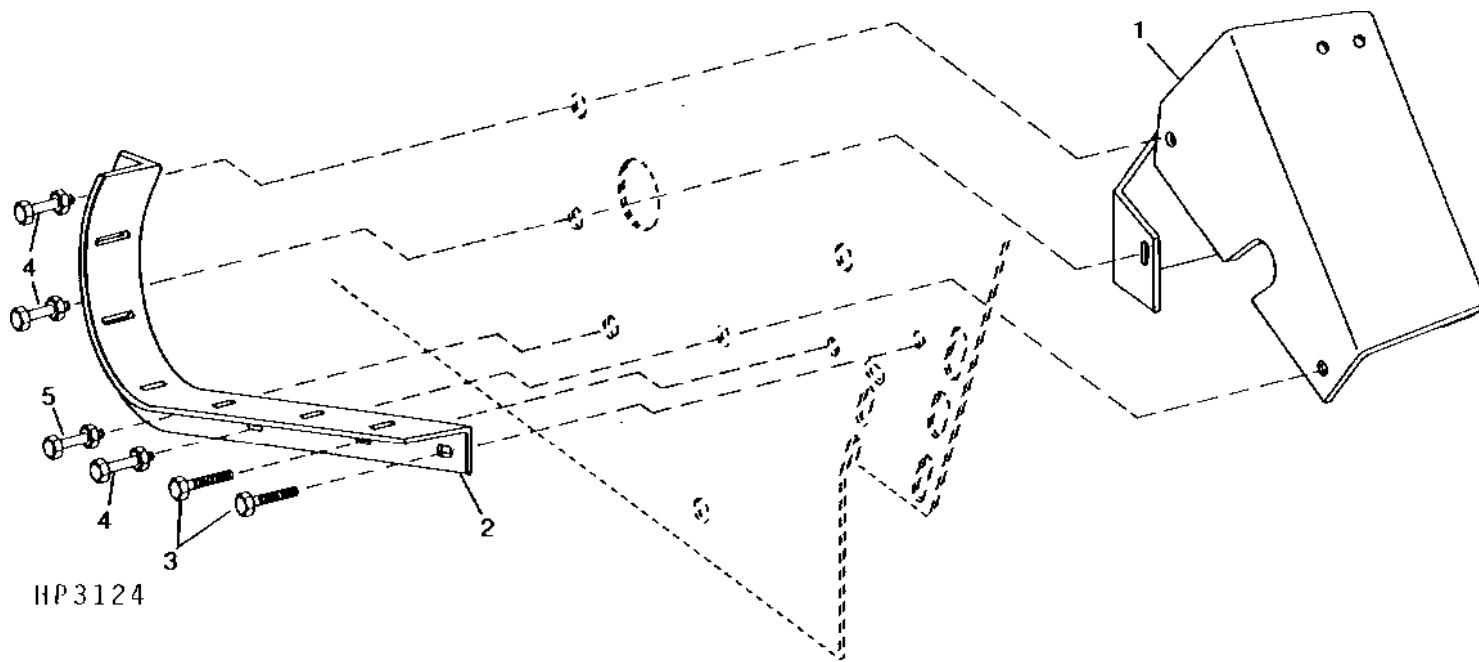


HP3135

KEY	PART NO.	PART NAME	QTY	SERIAL NO.	REMARKS
1	14M7277	NUT	1	M20	
2	24M7277	WASHER	1	21 X 60 X 4 MM	
3	AH130571	CHAIN SPROCKET	1	30 TOOTH, DRIVE	
4	03M7190	BOLT	AR	M10 X 20	
	14M7296	FLANGE NUT	AR	M10	
5	E10018	PRESSED FLANGED HOUSING	4		
6	JD9313	BALL BEARING	2		
7	H134606	SPACER	1		
8	H134603	CHAIN SPROCKET	1	8 TOOTH (CONVEYOR)	
9	AH130570	SHAFT	1	UPPER CONVEYOR	
10	AH131074	LINK CHAIN	1	(CA550 ROLLER CHAIN) (25 PADDLES)	
	C10232	LINK	1	-27OCT7	ROLLER
	C10233	CHAIN LINK	1		(SUB AH137631) OFFSET
	AC11779	PIN	1		
	C10263	TRACK CHAIN W/O SHOES	1		COUPLER
	AC14974	PIN	1		
	H135235	PADDLE	25		RUBBER
	H86760	PADDLE	1		STEEL CLEANING
	RIVET	50		(SUB AH86897)
	AH87765	CHAIN LINK	25		
	AH158635	CHAIN LINK	1	27OCT7-	
11	ROLLER CHAIN	1		ROLLER, TYPE 50, 16MM (5/8") PITCH, 124 LINKS (ASSEMBLE FROM AH18482 OR AP2245 AND (1) P20351)
12	AH86897	BOLT	AR		(REPLACES RIVETS) (INCLUDES (1) H85934, (1) 12H302 AND (1) 14H786)

LOWER TROUGH SUPPORT AND TAILINGS DRIVE BRACKET

HP3124 -UN-01JAN94

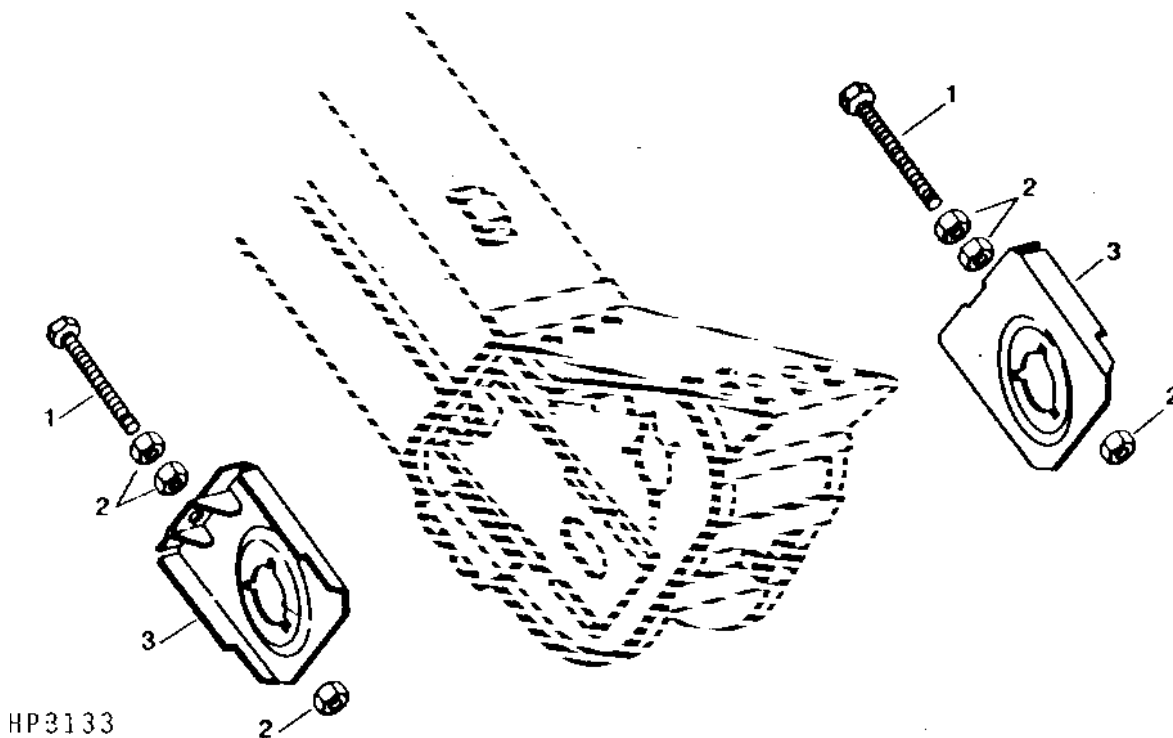


HP3124

KEY	PART NO.	PART NAME	QTY	SERIAL NO.	REMARKS
1	AH131080	BRACKET	1	-635797	NOW WELDED ON SIDE SHEET
2	H134317	SUPPORT	1		
3	19M7866	SCREW	2		M8 X 20
4	19M7867	SCREW	3		M8 X 25
	14M7298	FLANGE NUT	3		M8
5	19M7866	SCREW	1		M8 X 20
	14M7298	FLANGE NUT	1		M8

LOWER TAILINGS AUGER CHAIN TIGHTENER

HP3133 -UN-01JAN94



KEY	PART NO.	PART NAME	QTY	SERIAL NO.	REMARKS
1	19M7596	CAP SCREW	2	M16 X 160	
2	14M7276	NUT	6	M16	
3	AH130884	BRACKET	2		

7E6

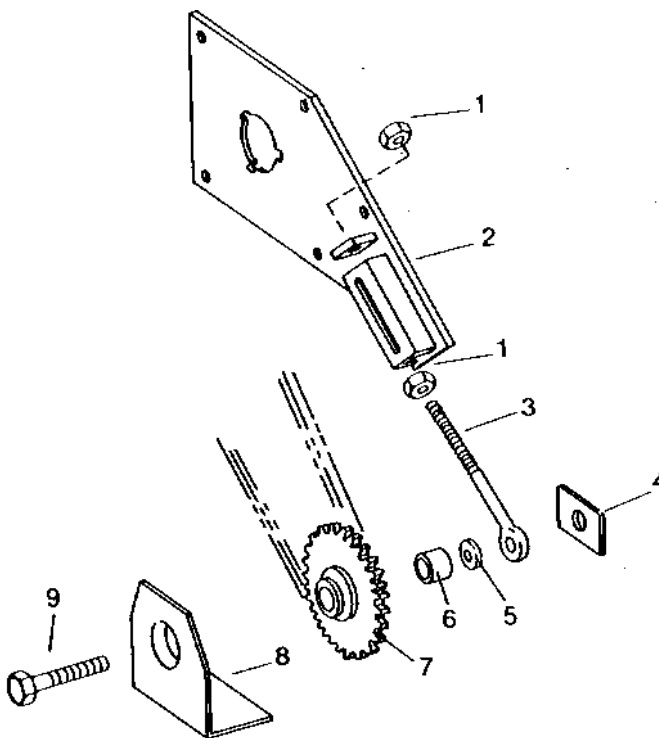
RESIDUE DISPOSAL

UPPER TAILINGS DRIVE CHAIN TIGHTENER

HP3142 -UN-01JAN94



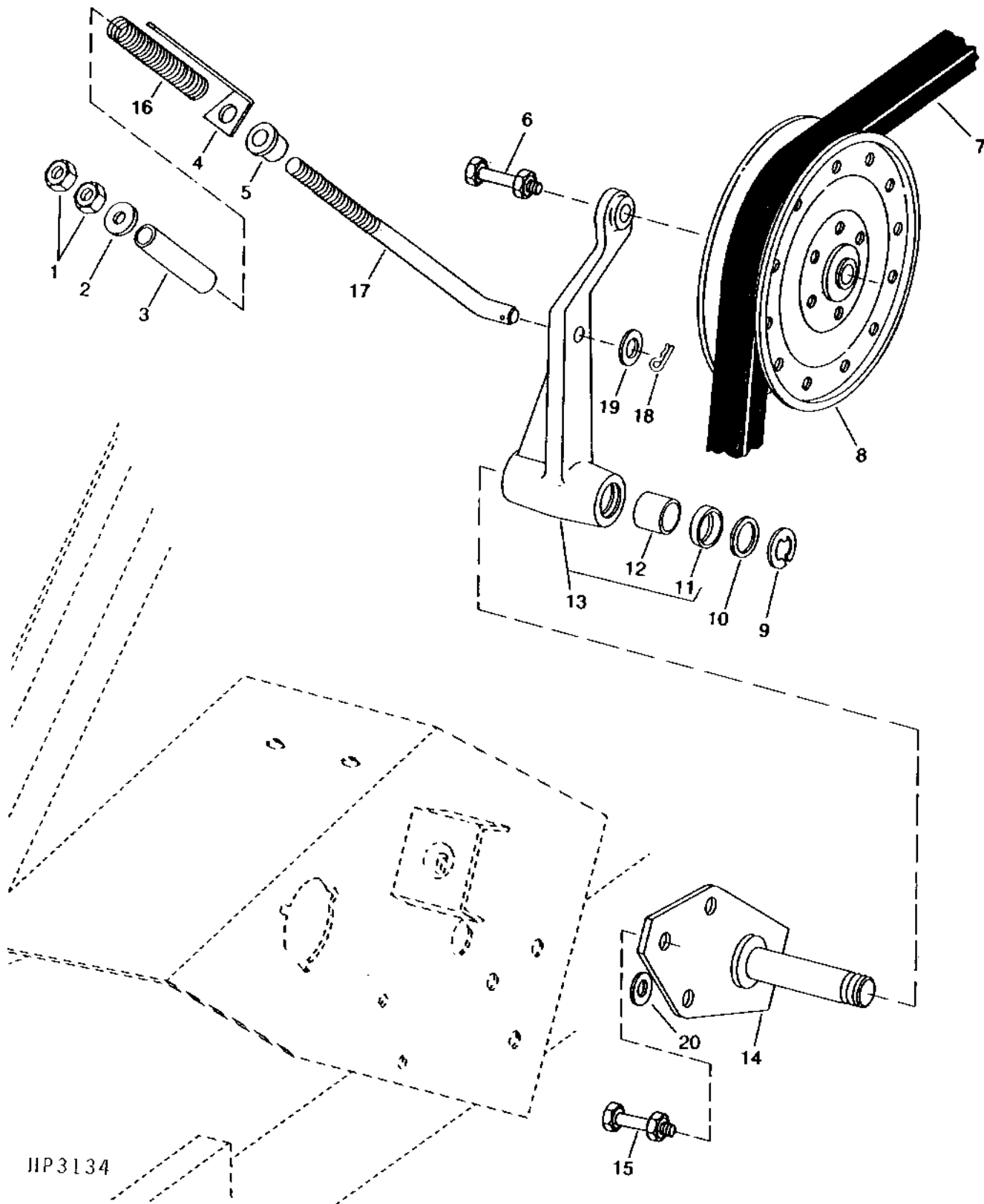
HP3142



KEY	PART NO.	PART NAME	QTY	SERIAL NO.	REMARKS
1	14H1040	NUT	2	1/2"	
2	AH128664	SUPPORT	1	IDLER	
3	H130956	EYEBOLT	1		
4	H130957	NUT	1		
5	24M7047	WASHER	1	13 X 24 X 2.500 MM	
6	28H1597	WASHER	1	0.546" X 0.840" X 3/8"	
7	AH98176	CHAIN SPROCKET	1	17 TOOTH	
8	H133031	SHIELD	1		
9	19M7363	CAP SCREW	1	M12 X 60	

LOWER TAILINGS AUGER DRIVE TIGHTENER

HP3134 -UN-01JAN94



HP3134

7E8

RESIDUE DISPOSAL

LOWER TAILINGS AUGER DRIVE TIGHTENER - CONTINUED

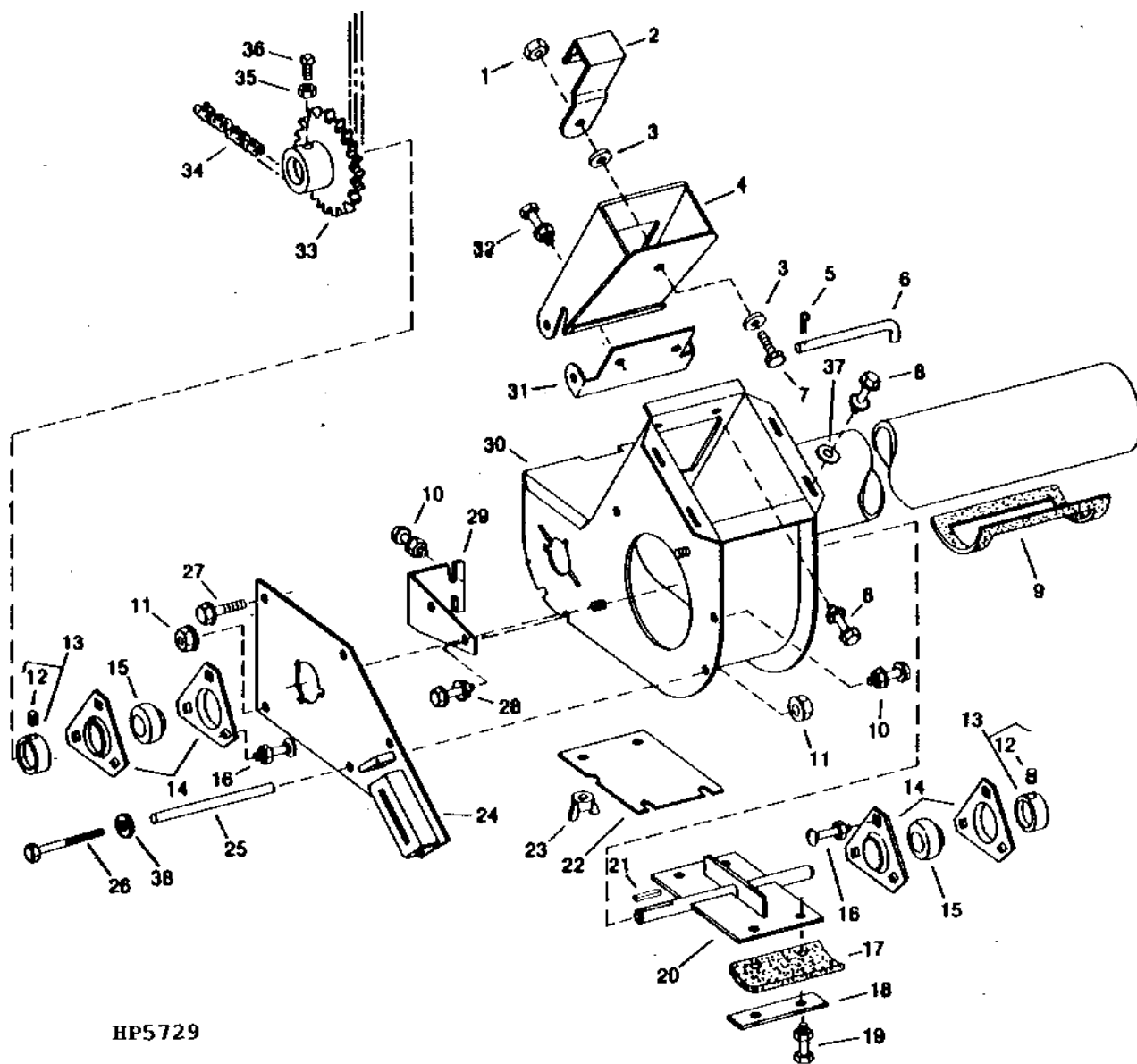
KEY	PART NO.	PART NAME	QTY	SERIAL NO.	REMARKS
1	14M7275	NUT	2		M12
2	24M7180	WASHER	1		13 X 37 X 3 MM
3	H116161	HOSE	1		(SUB TY22326)
	TY22326	BULK HOSE	1		(CUT TO LENGTH)
4	H127872	GAUGE	1		
5	H129207	PIVOT	1		
6	19M7824	SCREW	1		M16 X 60
	14M7291	FLANGE NUT	1		M16
7	N110085	BELT	1		
8	AH85276	PULLEY	1	-640100	
	AH97031	IDLER	1	640101-	
9	P46402	SNAP RING	1		
10	24M7091	WASHER	1		26 X 44 X 4 MM
11	AA5607R	SEAL	2		
12	H99147	BUSHING	2		(SUB H171061)
	H171061	BEARING	2		
13	AH126865	ARM	1		ELEVATOR DRIVE
14	AH156051	SPRING PIN	1		(SUB FOR AH109197)
15	19M7785	SCREW	3		M10 X 25
	14M7296	FLANGE NUT	3		M10
16	H26552	SPRING	1		
17	H118948	HOOK BOLT	1		IDLER
18	11M7021	COTTER PIN	1		4 X 25 MM
19	24M7047	WASHER	1		13 X 24 X 2.500 MM
20	24M7178	WASHER	AR		10.500 X 30 X 2.500 MM

7E9

RESIDUE DISPOSAL

UPPER TAILINGS AUGER HOUSING AND PADDLE ASSEMBLY

HP5729 -UN-01JAN94



HP5729

7E10

RESIDUE DISPOSAL

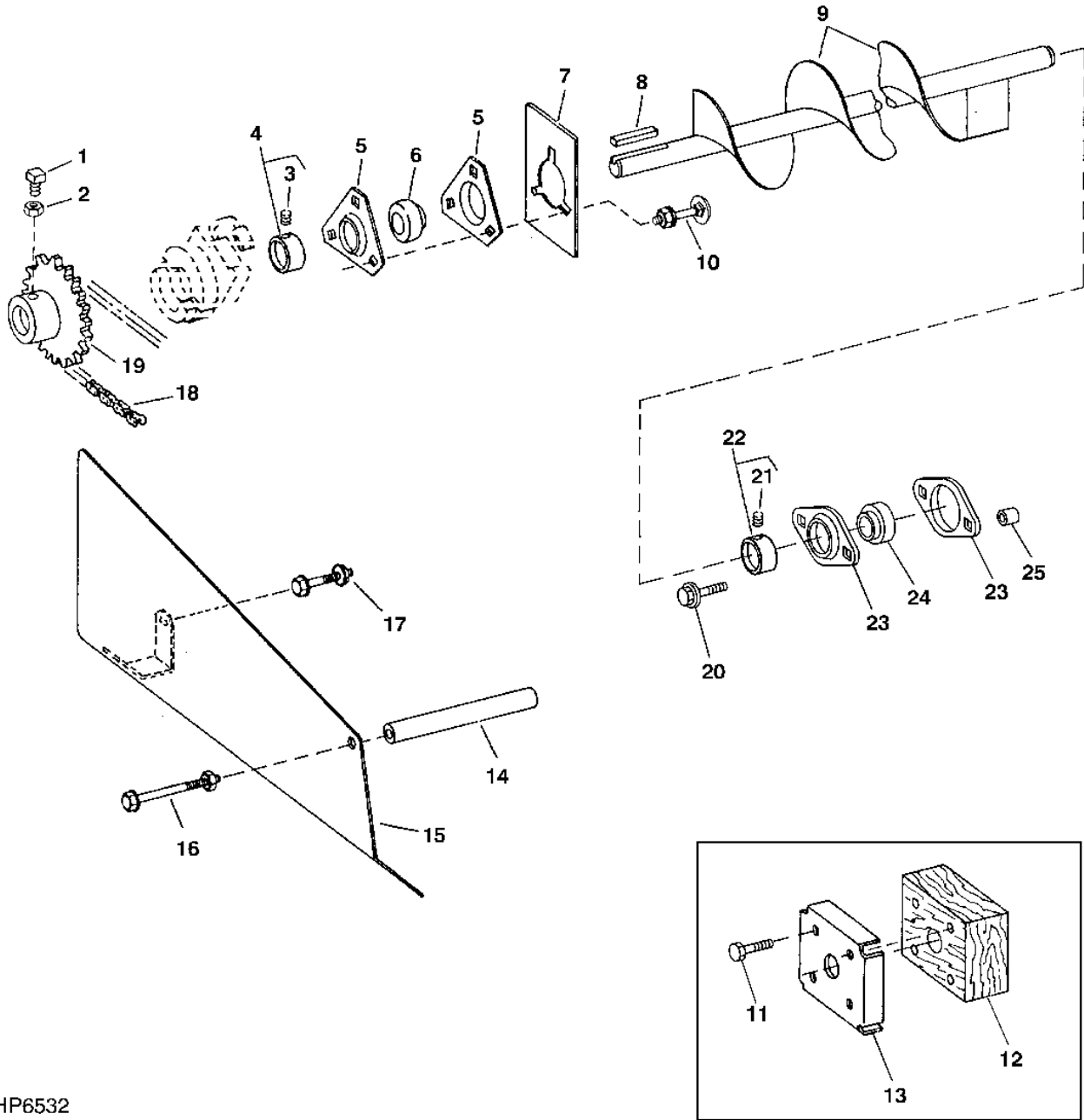
UPPER TAILINGS AUGER HOUSING AND PADDLE ASSEMBLY - CONTINUED

KEY	PART NO.	PART NAME	QTY	SERIAL NO.	REMARKS
1	14M7397	LOCK NUT	1		
2	H133541	LATCH	1		
3	24M7139	WASHER	2		6.400 X 18 X 1.600 MM
4	AH130136	DOOR	1		
5	J16931	SPRING LOCKING PIN	1		
6	H134068	PIN	1		
7	19M7774	SCREW	1		M6 X 12
8	19M7865	SCREW	AR		M8 X 16
	14M7298	FLANGE NUT	AR		M8
9	H126828	SEAL	1	-635243	
	H143735	SEAL	1	635244-	
10	19M7866	SCREW	3		M8 X 20
	14M7298	FLANGE NUT	3		M8
11	14M7298	FLANGE NUT	3		M8
12	22M7080	SET SCREW	2		M8 X 8
13	AZ10045	ECCENTRIC LOCKING COLLAR	2		
14	E10018	PRESSED FLANGED HOUSING	AR		
15	JD39103	BALL BEARING	2		
16	03M7191	BOLT	AR		M10 X 25
	14M7296	FLANGE NUT	AR		
17	H131639	PADDLE	2		RUBBER
18	H131638	STRAP	2		
19	19M7868	SCREW	AR		M8 X 30
	14M7396	LOCK NUT	AR		M8
20	AH128663	PADDLE	1		
21	SHAFT KEY	AR		8 X 7 X 40 MM (IN AH141142 KEY STOCK KIT) (CUT FROM H150269)
22	H135309	COVER	1		CLEAN OUT
23	14M7020	WING NUT	AR		M8
24	AH128664	SUPPORT	1		IDLER
25	H140467	BUSHING	1		(SUB FOR 28H3367)
26	19M8404	CAP SCREW	1		M8 X 130
27	19M7864	SCREW	1		M8 X 12
28	19M7862	SCREW	2		M6 X 20
	14M7303	FLANGE NUT	2		M6
29	H133686	SUPPORT	1	-650100	
	H147967	SUPPORT	1	650101-	
30	AH149180	TUBE	1		(SUB FOR AH131085, AH137291, AH137581 OR AH141572)
31	H134065	HINGE	1		
32	19M7865	SCREW	2		M8 X 16
	14M7298	FLANGE NUT	2		M8
33	AH126008	CHAIN SPROCKET	1		30 TOOTH
34	AH126007	ROLLER CHAIN	1		ROLLER, TYPE 50, 124 LINKS
35	14M7274	NUT	2		M10
36	H138435	SET SCREW	2		
37	24M7207	WASHER	4		8.400 X 24 X 2 MM
38	24M7055	WASHER	1		8.400 X 16 X 1.600 MM

7E11

RESIDUE DISPOSAL

UPPER TAILINGS AUGER, DRIVE AND SHIELD
HP6532 -UN-23AUG96



HP6532

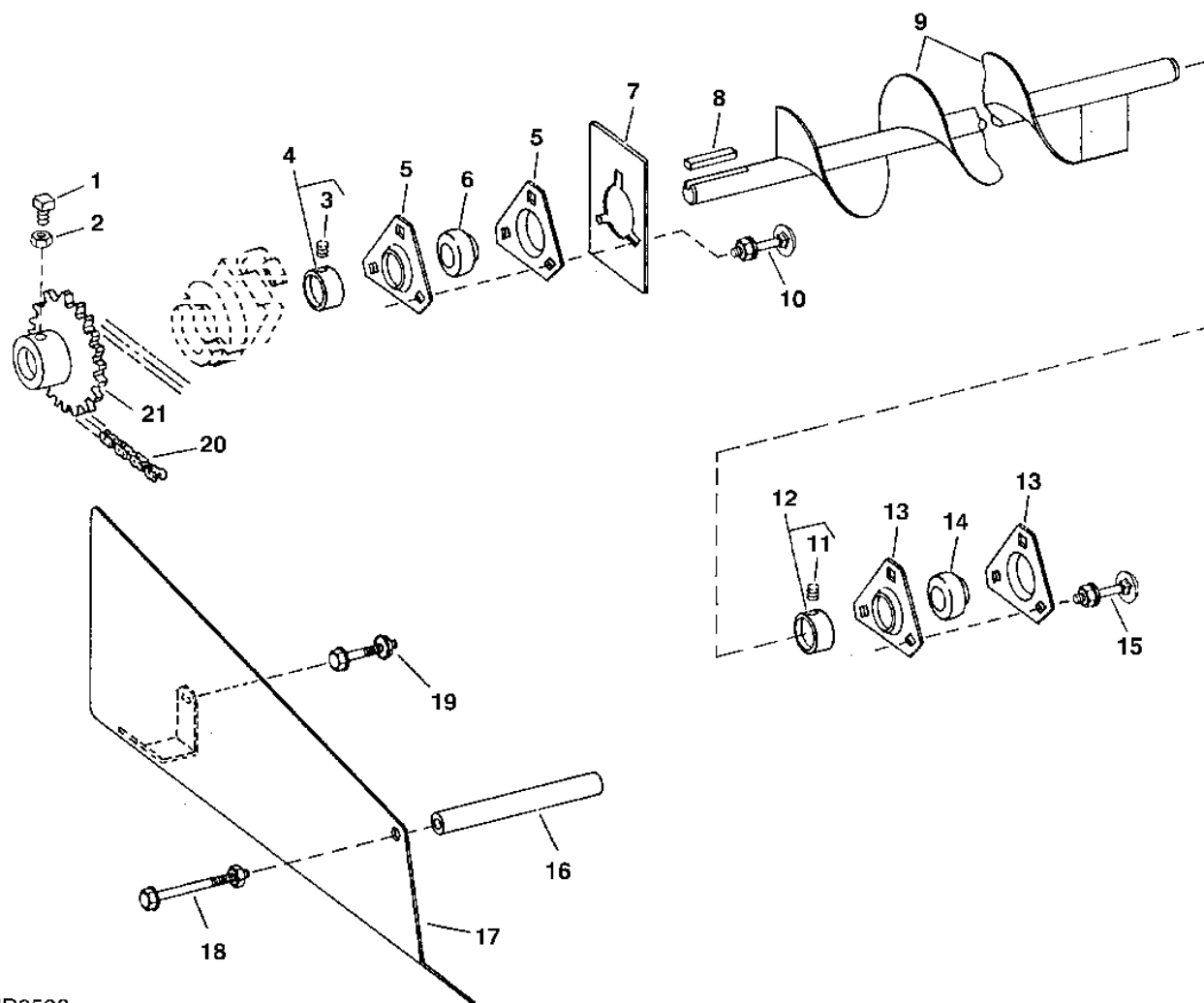
UPPER TAILINGS AUGER, DRIVE AND SHIELD - CONTINUED

KEY	PART NO.	PART NAME	QTY	SERIAL NO.	REMARKS
1	H138435	SET SCREW	2		
2	14M7274	NUT	2	M10	
3	22M7079	SET SCREW	1	M6 X 6	
4	AZ10044	ECCENTRIC LOCKING COLLAR	1		
5	H103264	PRESSED FLANGED HOUSING	2		
6	JD39102	BALL BEARING	1		
7	H148633	END PLATE	1		(SUB FOR H134055)
8	49M4111	SHAFT KEY	1		8 X 7 X 40 MM (IN AH141142 KEY STOCK KIT) (CUT FROM H150269)
9	AH125895	AUGER	1		
10	03M7184	BOLT	AR		M8 X 20
	14M7298	FLANGE NUT	AR		M8
11	37M7102	SCREW	AR	-665292	M8 X 40
12	H134962	BEARING	1	-665292	(SUB (2) 28H86, (2) M66125, JD39102, 22M7079, AZ10044 AND (2) 37M7092) WOOD, BEARING
13	H134963	RETAINER	1	-665292	
14	H140467	BUSHING	1		(SUB FOR 28H3367)
15	AH130982	SHIELD	1	-640100	
	AH160994	SHIELD	1	640101-	(SUB FOR AH135207)
16	19M8262	CAP SCREW	1		M8 X 130
	14M7298	FLANGE NUT	1		M8
	24M7055	WASHER	1		8.400 X 16 X 1.600 MM
17	19M7862	SCREW	1		M6 X 20
	14M7303	FLANGE NUT	1		M6
18	AH126007	ROLLER CHAIN	1		ROLLER, TYPE 50, 124 LINKS
19	AH121046	CHAIN SPROCKET	1		22 TOOTH
20	37M7092	SCREW	2		M8 X 16
21	22M7079	SET SCREW	1		M6 X 6
22	AZ10044	ECCENTRIC LOCKING COLLAR	1		
23	M66125	PRESSED FLANGED HOUSING	2		
24	JD39102	BALL BEARING	1		
25	28H86	WASHER	2		

7E13

RESIDUE DISPOSAL

UPPER TAILINGS AUGER, DRIVE AND SHIELD
HP6533 -UN-23AUG96



HP6533

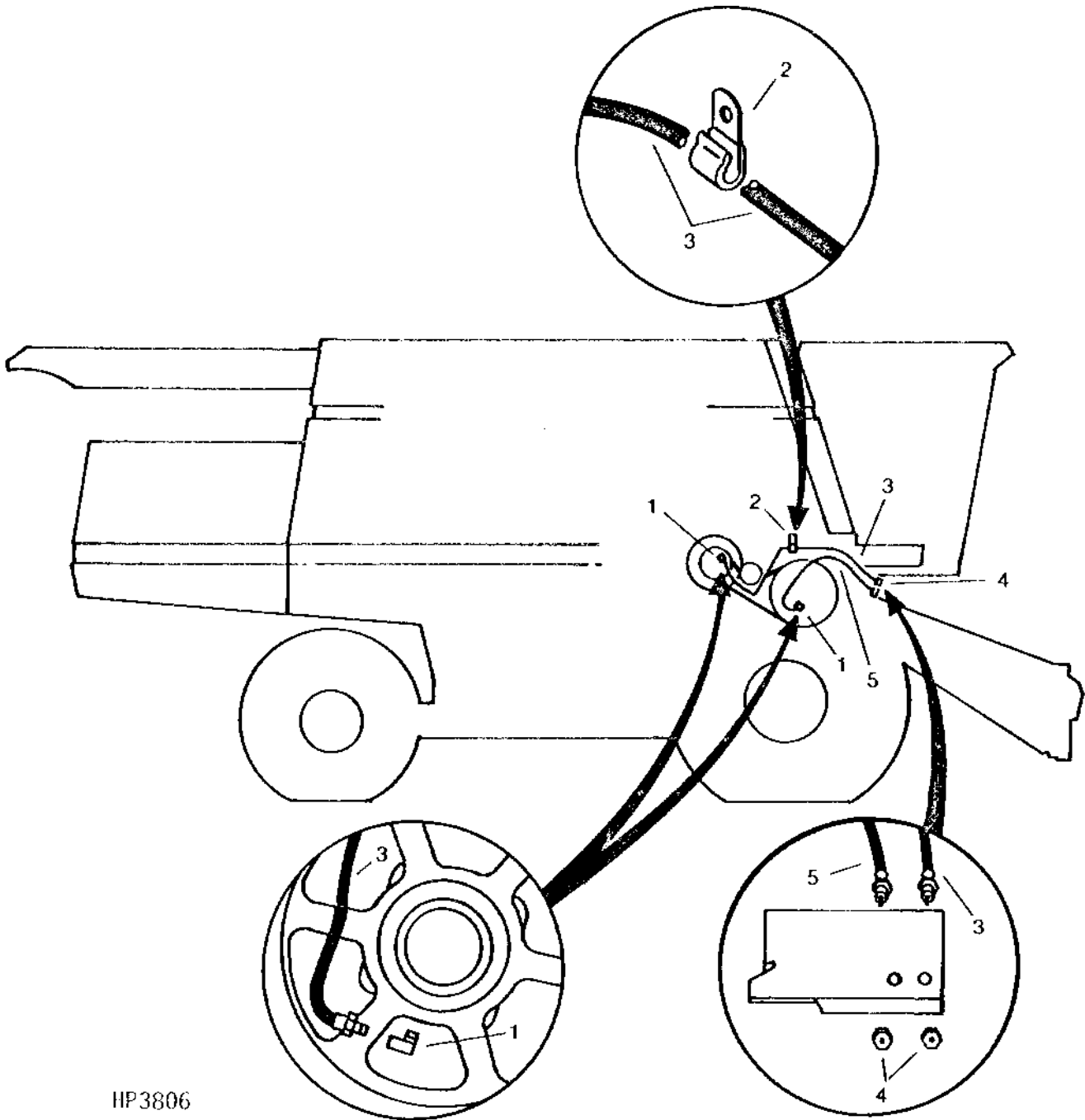
UPPER TAILINGS AUGER, DRIVE AND SHIELD - CONTINUED

KEY	PART NO.	PART NAME	QTY	SERIAL NO.	REMARKS
1	H138435	SET SCREW	2		
2	14M7274	NUT	2	M10	
3	22M7079	SET SCREW	1	M6 X 6	
4	AZ10044	ECCENTRIC LOCKING COLLAR	1		
5	H103264	PRESSED FLANGED HOUSING	2		
6	JD39102	BALL BEARING	1		
7	H148633	END PLATE	1		(SUB FOR H134055)
8	49M4111	SHAFT KEY	1		8 X 7 X 40 MM
9	AH125895	AUGER	1		
10	03M7184	BOLT	AR		M8 X 20
	14M7298	FLANGE NUT	AR		M8
11	22M7079	SET SCREW	1		M6 X 6
12	AZ10044	ECCENTRIC LOCKING COLLAR	1		
13	H103264	PRESSED FLANGED HOUSING	2		
14	JD39102	BALL BEARING	1		
15	03M7184	BOLT	3		M8 X 20
	14M7298	FLANGE NUT	3		M8
16	H140467	BUSHING	1		9.246 X 13.716 X 104.775 MM (0.364" X 0.540" X 4-1/8") (SUB FOR 28H3367)
17	AH130982	SHIELD	1	-640100	
	AH160994	SHIELD	1	640101-	(SUB FOR AH135207)
18	19M8262	CAP SCREW	1		M8 X 130
	14M7298	FLANGE NUT	1		M8
	24M7055	WASHER	1		8.400 X 16 X 1.600 MM
19	19M7862	SCREW	1		M6 X 20
	14M7303	FLANGE NUT	1		M6
20	AH126007	ROLLER CHAIN	1		ROLLER, TYPE 50, 124 LINKS
21	AH121046	CHAIN SPROCKET	1		22 TOOTH

7E15

RESIDUE DISPOSAL

LUBE HOSES R.H.
HP3806 -UN-01JAN94



HP3806

7E16

RESIDUE DISPOSAL

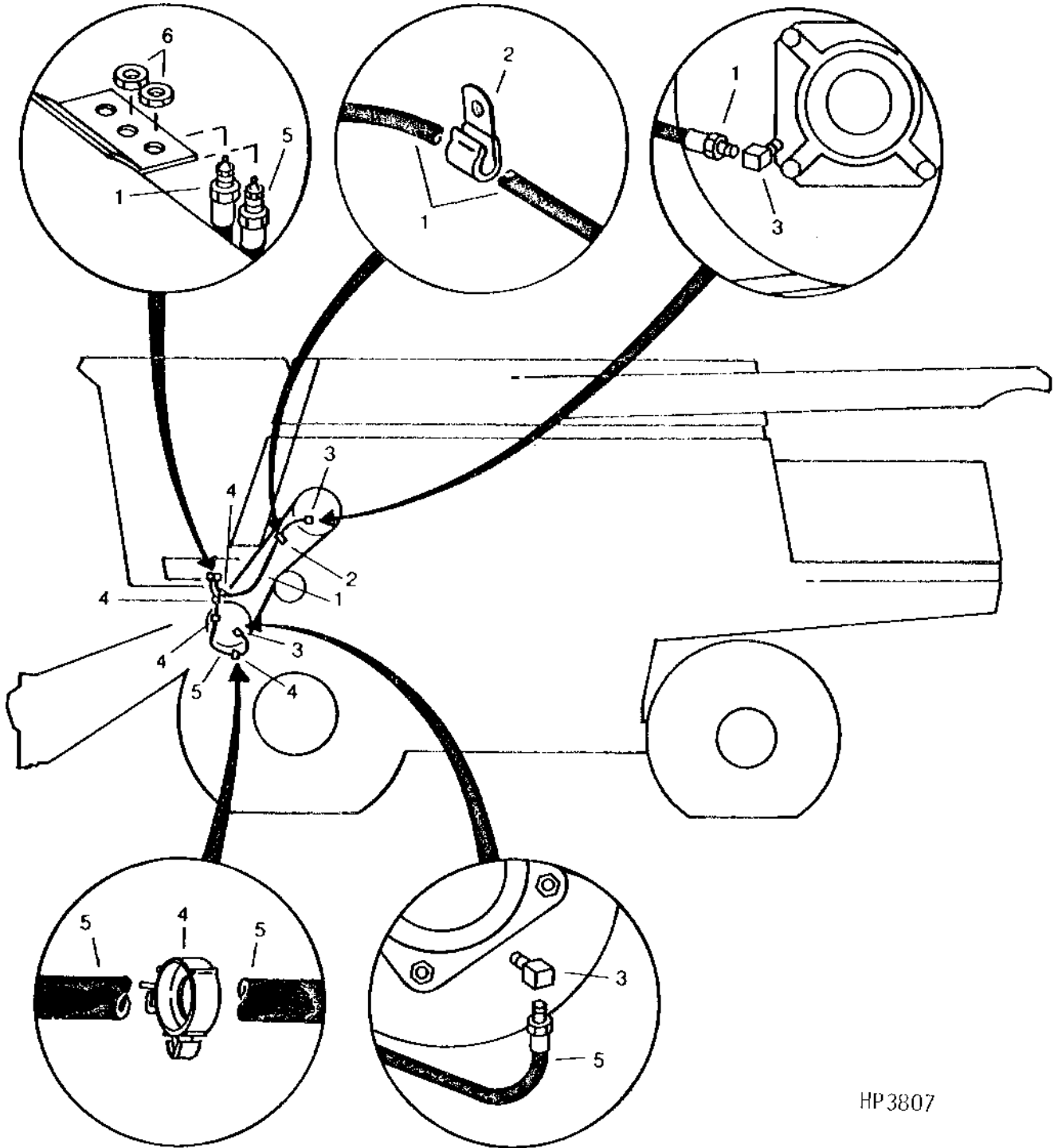
LUBE HOSES R.H. - CONTINUED

KEY	PART NO.	PART NAME	QTY	SERIAL NO.	REMARKS
1	JD7845	ELBOW FITTING	2		
2	AH96317	CLIP	1		
3	AH121007	HOSE	1		
4	E12379	NUT	2		
5	AH121009	HOSE	1		1/8" X 910 MM (35-3/4") X 1/8"

7E17

RESIDUE DISPOSAL

LUBE HOSES L.H.
HP3807 -UN-01JAN94



HP3807

7E18

RESIDUE DISPOSAL

LUBE HOSES L.H. - CONTINUED

KEY	PART NO.	PART NAME	QTY	SERIAL NO.	REMARKS
1	AH121009	HOSE	1		
2	AH89486	CLIP	1		
3	JD7845	ELBOW FITTING	2		
4	H140149	HOLD-DOWN CLIP	4		
5	AH121009	HOSE	1		1/8" X 910 MM (35-3/4") X 1/8"
6	E12379	NUT	2		

7E19

RESIDUE DISPOSAL

METRIC KEY STOCK KIT

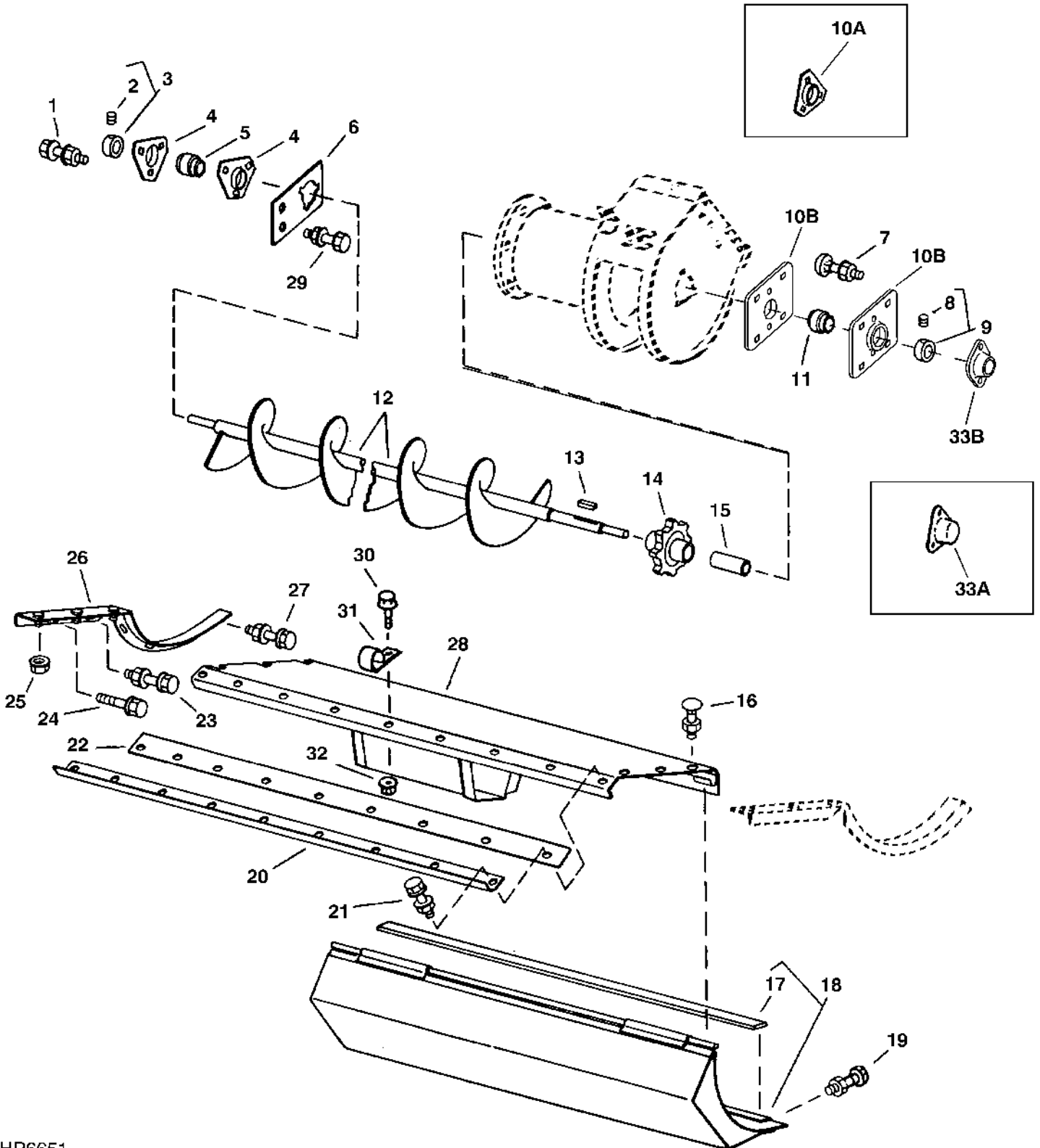
KEY	PART NO.	PART NAME	QTY	SERIAL NO.	REMARKS
..	SHAFT KEY	3		5 X 305MM SQUARE (IN AH141142 KEY STOCK KIT) (CUT FROM H150267)
..	SHAFT KEY	3		6 X 305MM SQUARE (IN AH141142 KEY STOCK KIT) (CUT FROM H150268)
..	SHAFT KEY	1		8 X 305MM SQUARE (IN AH141142 KEY STOCK KIT) (CUT FROM H150275)
..	SHAFT KEY	2		8 X 7 X 305MM RECTANGULAR (IN AH141142 KEY STOCK KIT) (CUT FROM H150269)
..	SHAFT KEY	1		10 X 8 X 305 MM RECTANGULAR (IN AH141142 KEY STOCK KIT) (CUT FROM H150270)
..	SHAFT KEY	1		12 X 8 X 305MM RECTANGULAR (IN AH141142 KEY STOCK KIT) (CUT FROM H150271)
..	SHAFT KEY	1		14 X 8 X 305MM RECTANGULAR (IN AH141142 KEY STOCK KIT) (CUT FROM H150272)
..	AH141142	SHAFT KEY	1		

MEMORANDA

7E22

CLEAN GRAIN ELEVATOR, GRAIN TANK AND UNLOADING AUGER

CLEAN GRAIN LOWER AUGER AND HINGED DOOR
HP6651 -UN-07MAR97



HP6651

7E23

CLEAN GRAIN ELEVATOR, GRAIN TANK AND UNLOADING AUGER

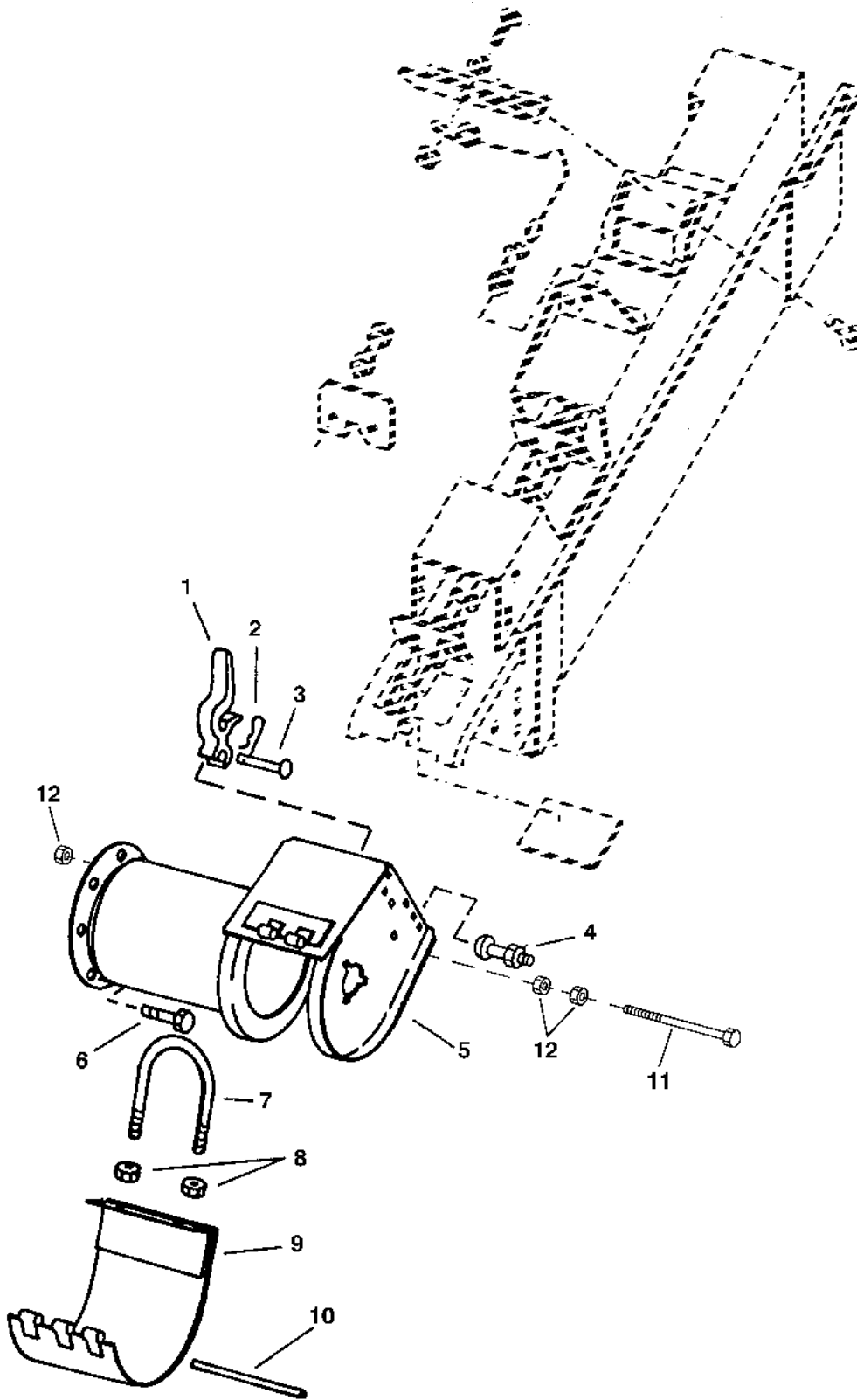
CLEAN GRAIN LOWER AUGER AND HINGED DOOR - CONTINUED

KEY	PART NO.	PART NAME	QTY	SERIAL NO.	REMARKS
1	19M7867	SCREW	3		M8 X 25
	14M7298	FLANGE NUT	3		M8
2	22M7079	SET SCREW	1		M6 X 6
3	AZ10044	ECCENTRIC LOCKING COLLAR	1		
4	H103264	PRESSED FLANGED HOUSING	2		
5	JD39102	BALL BEARING	1		
6	H132539	COVER	1		
7	03M7190	BOLT	3		M10 X 20, (SUB 03M7193 AND Z38380)
	24H1307	WASHER	3		13/32" X 1" X 1/16", (SUB Z36140 AND Z38380)
	14M7296	FLANGE NUT	3		M10
	03M7193	BOLT	3		M10 X 35
	Z36140	WASHER	3		
	14M7296	FLANGE NUT	3		M10
8	22M7080	SET SCREW	1		M8 X 8
9	AZ10045	ECCENTRIC LOCKING COLLAR	1		
10A	E10018	PRESSED FLANGED HOUSING	2	-670100	
10B	H152916	PRESSED FLANGED HOUSING	2	670101-	
11	JD39103	BALL BEARING	1		
12	AH128732	AUGER	1		(SUB AH133373)
	AH133373	AUGER	1	-650243	(SUB AH141577)
	AH141577	FLIGHT	1		(INCLUDES N109389)
	N109389	BUSHING	1		36.830 X 50.800 X 28.448 MM
13	SHAFT KEY	1		8 X 7 40 MM (IN AH141142 KEY STOCK KIT) (CUT FROM H150269)
14	H133143	CHAIN SPROCKET	1		
15	H133654	SPACER	1	-631080	(SUB H138592)
	H138592	SPACER	1	-655100	(SUB H150117)
	H150117	SPACER	1		
16	03M7183	BOLT	3		M8 X 16
	14M7298	FLANGE NUT	3		M8
17	H88773	ISOLATOR	AR		CUT TO 1290 MM, 50-3/4". USE ONLY ON DOOR WITH PROTECTIVE PLATE.
18	AH117280	DOOR	1	-640100	(SUB AH139388) SOLID
	AH139388	DOOR	1		SOLID
	AH117281	DOOR	1	-640100	(SUB AH139389) PERFORATED
	AH139389	DOOR	1		PERFORATED
	AH118251	DOOR	1	-640100	(SUB AH139391) SOLID, WITH PROTECTIVE PLATE
	AH139391	DOOR	1		SOLID, WITH PROTECTION PLATE
19	19M7799	SCREW	5		M8 X 45
	14M7396	LOCK NUT	5		M8
20	H75951	REINFORCEMENT	1	-635100	
	H134308	REINFORCEMENT	1	635101-	
21	19M7866	SCREW	8		M8 X 20
	14M7298	FLANGE NUT	8		M8
22	H75952	SEAL	1		
23	19M7865	SCREW	2		M8 X 16
	14M7298	FLANGE NUT	2		M8
24	19M7865	SCREW	3		M8 X 16, INTO WELDNUT
25	14M7298	FLANGE NUT	3		M8
26	AH122506	REINFORCEMENT	1		
27	19M7802	SCREW	3	-645401	M8 X 65
	19M7802	SCREW	2	645402-	M8 X 65
	14M7298	FLANGE NUT	3	-645401	M8
	14M7298	FLANGE NUT	2	645402-	
28	AH117277	HINGE	1		
29	19M7865	SCREW	2		M8 X 16
	14M7298	FLANGE NUT	2		M8
30	19M7865	SCREW	1		M8 X 16
31	AH77884	CLIP	1		
32	14M7298	FLANGE NUT	1		M8
33	Z38380	GUARD	1		
33A	Z38380	GUARD	2	-670100	
33B	H155968	COVER	1	670101-	
..	BH71710	COMPLETE GOODS/SHIP. BUNDLE	1		PERFORATED DOORS
..	BH80066	COMPLETE GOODS/SHIP. BUNDLE	1		PLAIN DOOR WITH PROTECTIVE PLATES

7E24

CLEAN GRAIN ELEVATOR, GRAIN TANK AND UNLOADING AUGER

CLEAN GRAIN LOWER ELEVATOR AND CONVEYOR CHAIN
HP6653 -UN-07MAR97



HP6653

7E25

CLEAN GRAIN ELEVATOR, GRAIN TANK AND UNLOADING AUGER

CLEAN GRAIN LOWER ELEVATOR AND CONVEYOR CHAIN - CONTINUED

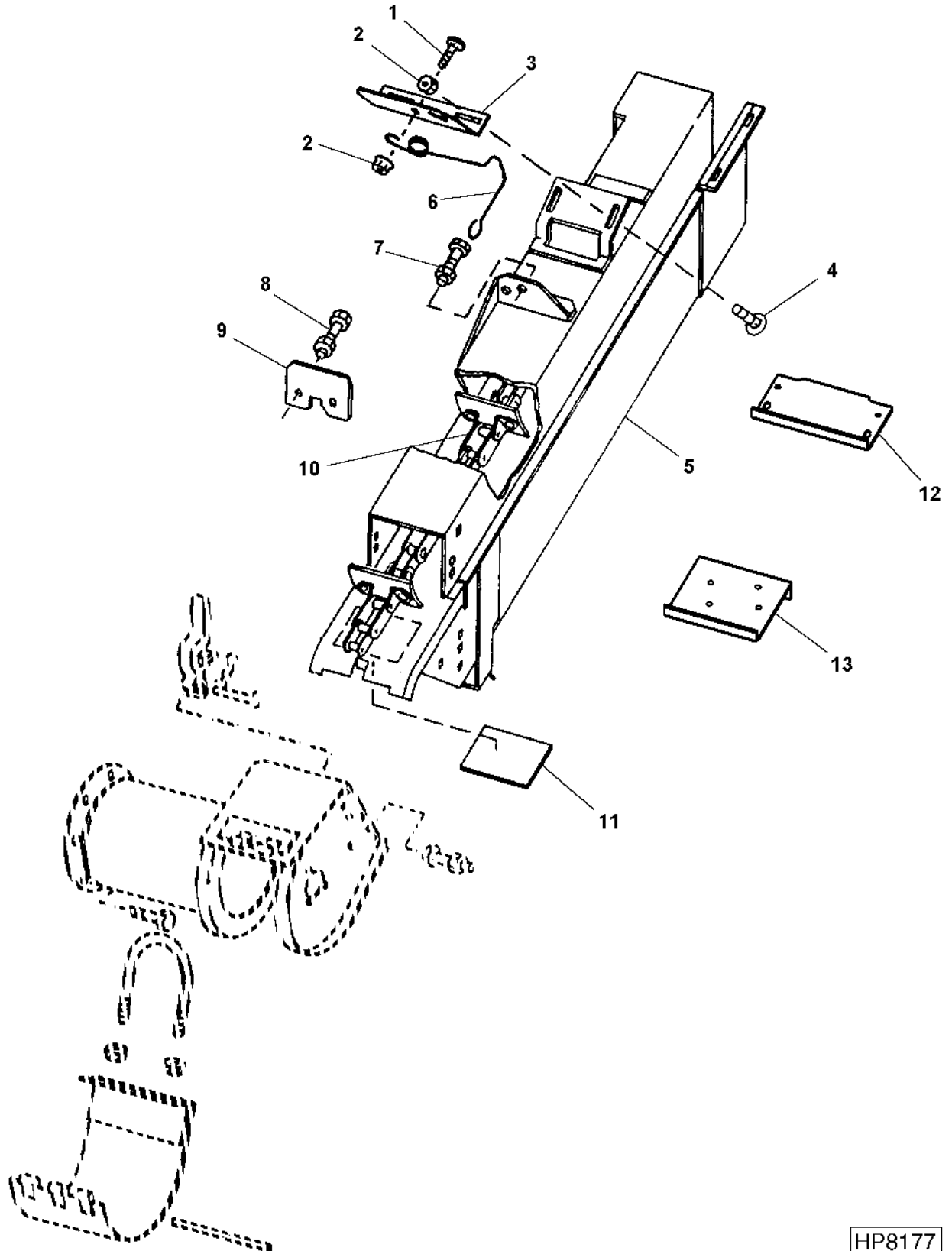
KEY	PART NO.	PART NAME	QTY	SERIAL NO.	REMARKS
1	H101297	LEVER	1		
2	11M7081	COTTER PIN	1		2.500 X 20 MM
	11M1383	COTTER PIN	1		3.200 X 20 MM, (SUB FOR 11H211)
3	RV810A	PIN	1		
4	03M7251	BOLT	14		M6 X 12
	14M7303	FLANGE NUT	14		M6
5	AH125554	BOOT	1	-630738	(SUB AH134560)
	AH134560	BOOT	1	630739-635789	(SUB AH136484)
	AH136484	BOOT	1	635790-645463	(SUB AH136485)
	AH129355	BOOT	1	-630738	(SUB AH134562) (STAINLESS STEEL)
	AH134562	BOOT	1	630739-635201	(SUB AH136485) (STAINLESS STEEL)
	AH136485	BOOT	1	-670100	(STAINLESS STEEL)
	AH149182	BOOT	1		
6	19M7865	SCREW	8	-650475	M8 X 16
	37M7058	SCREW	8	650476-	M8 X 20
7	H128877	U-BOLT	1		
8	14M7396	LOCK NUT	2		M8
9	AH125558	DOOR	1	-635180	
	AH129357	DOOR	1	635181-	(STAINLESS STEEL)
	AH127396	DOOR	1		(PERFORATED)
10	H75985	DOWEL PIN	1		
11	19M8241	CAP SCREW	1	670192-	
12	14M7296	FLANGE NUT	3	670192-	
..	BH71710	COMPLETE GOODS/SHIP. BUNDLE	1		PERFORATED DOORS

7F1

CLEAN GRAIN ELEVATOR, GRAIN TANK AND UNLOADING AUGER

CLEAN GRAIN LOWER ELEVATOR AND CONVEYOR CHAIN

HP8177 -UN-19JAN99



HP8177

7F2

CLEAN GRAIN ELEVATOR, GRAIN TANK AND UNLOADING AUGER

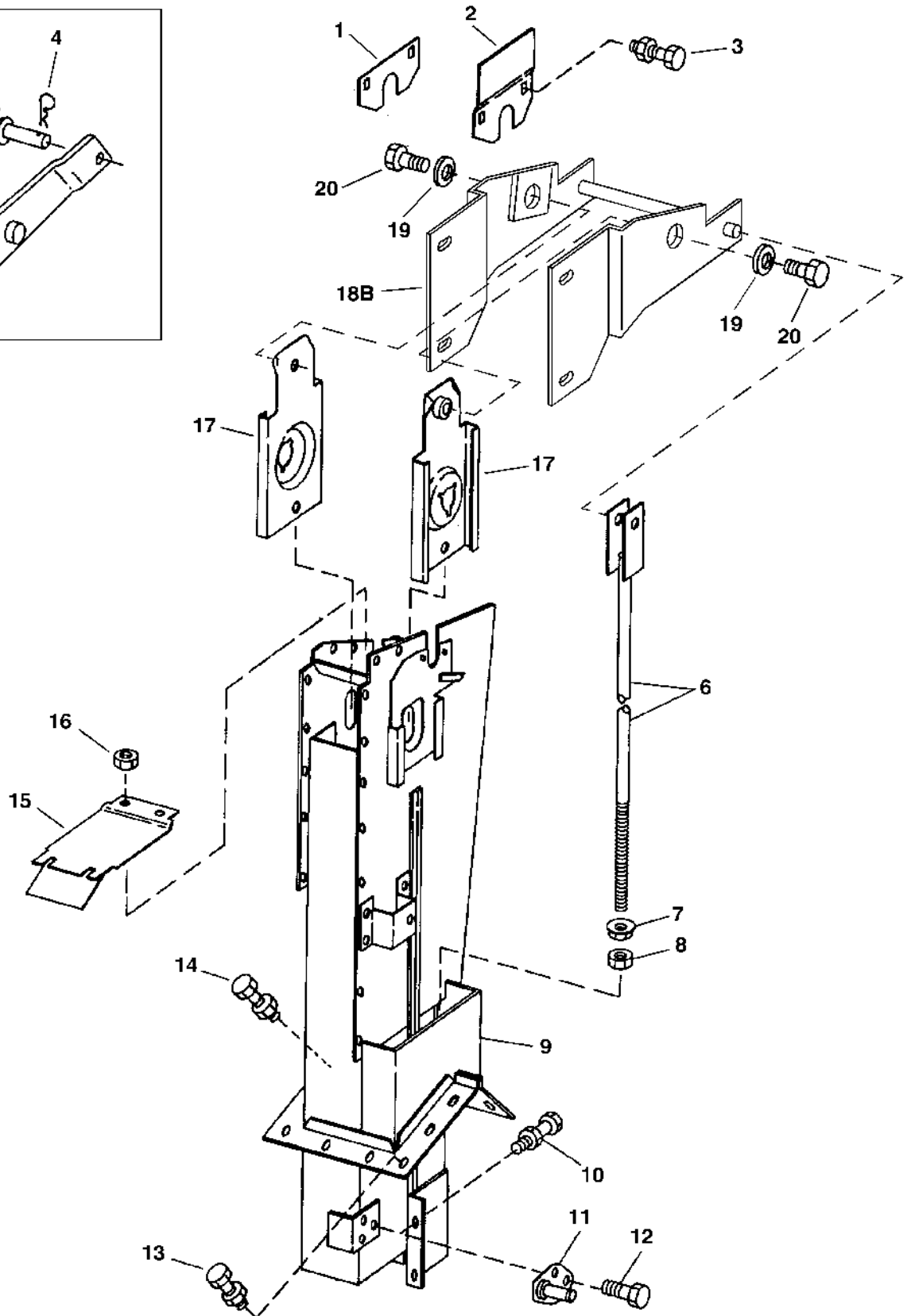
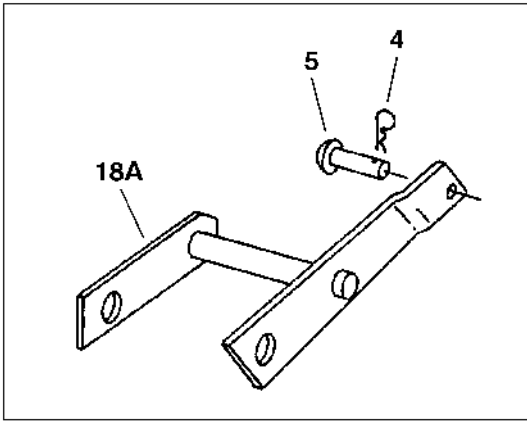
CLEAN GRAIN LOWER ELEVATOR AND CONVEYOR CHAIN - CONTINUED

KEY	PART NO.	PART NAME	QTY	SERIAL NO.	REMARKS
1	19M7784	SCREW	1		M10 X 20
2	14M7296	FLANGE NUT	3		
3	H129389	BRACKET	1		
4	03M7190	BOLT	2		M10 X 20
5	AH142200	ELEVATOR	1	-640100	(SUB FOR AH125601) REGULAR
	AH142203	ELEVATOR	1	-640100	(SUB FOR AH129363) STAINLESS STEEL
	AH149201	ELEVATOR	1		(SUB FOR AH142201)
	AH156594	ELEVATOR	1	29SE98-	(SUB FOR AH135666, AH142197, AH149200 OR AH156808)
	AH156595	ELEVATOR	1		(SUB FOR AH156809)
6	H130930	SPRING	1		
7	19M7784	SCREW	1		
8	14M7296	FLANGE NUT	1		
	AH138947	KIT	AR		(INCLUDES H144971,12H11 AND 14H255) (REPLACES RIVETS IN RUBBER PADDLES)
	H144971	BOLT	2		3/8", FOR STEEL CLEANING PADDLES
	12H11	LOCK WASHER	2		3/8", FOR STEEL CLEANING PADDLES
	14H255	NUT	2		3/8", FOR STEEL CLEANING PADDLES
9	H132227	PADDLE	1		(STEEL CLEANING)
10	AH132806	LINK CHAIN	1		(CA-550 ROLLER CHAIN) (35 PADDLES)
	C10232	LINK	1	-29SEP7	(ROLLER)
	C10233	CHAIN LINK	1		(SUB AH137631) (OFFSET, WITH PIN)
	AC11779	PIN	1		
	C10263	TRACK CHAIN W/O SHOES	1		(COUPLER)
	AC14974	PIN	1		
	H137276	PADDLE	34		(RUBBER)
	AH149320	LINK CHAIN	1		(SUB AH162441)
	AH158635	CHAIN LINK	1	29SEP7-	
	AH162441	LINK CHAIN	1		
11	T37851	REINFORCEMENT	1		
12	PF80112	PLATE	1	19MAY7-	LESS GREENSTAR
13	PF80113	PLATE	1	19MAY7-	LESS GREENSTAR
..	M80082	NUT	8	670101-670191	6.350 MM
..	03M7221	BOLT	8	670101-670191	M6 X 16, LESS GREENSTAR
..	14M7303	FLANGE NUT	8	670101-670191	M6, LESS GREENSTAR

7F3

CLEAN GRAIN ELEVATOR, GRAIN TANK AND UNLOADING AUGER

UPPER CLEAN GRAIN ELEVATOR
HP6652 -UN-20MAR97



HP6652

7F4

CLEAN GRAIN ELEVATOR, GRAIN TANK AND UNLOADING AUGER

UPPER CLEAN GRAIN ELEVATOR - CONTINUED

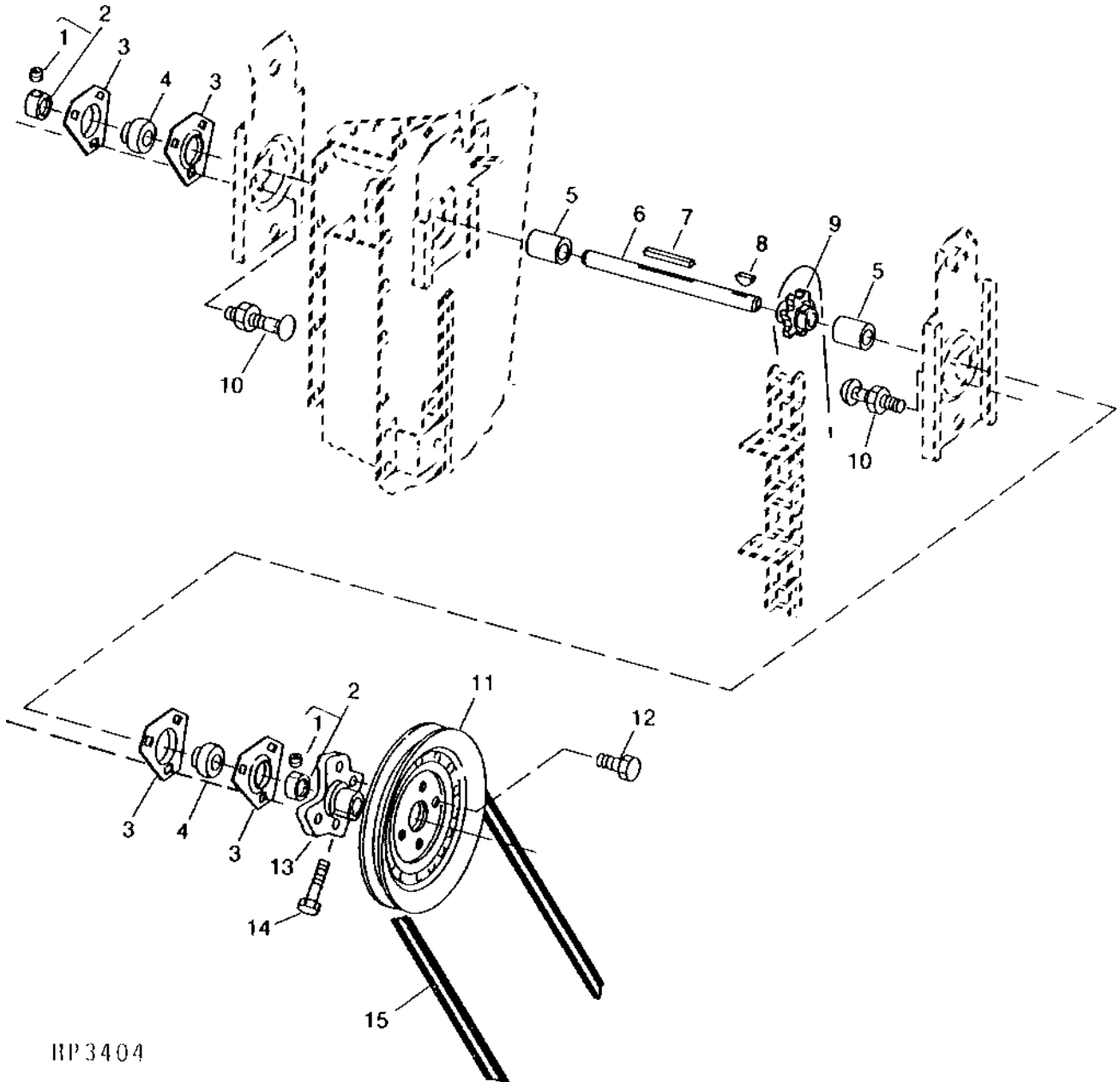
KEY	PART NO.	PART NAME	QTY	SERIAL NO.	REMARKS
1	H134286	SEAL	1		
2	H134287	SEAL	1		
3	03M7221	BOLT	4	-670100	M6 X 16
	14M7303	FLANGE NUT	4	-670100	M6
	03M7221	BOLT	2	670192-	TO PLUG HOLES WHEN MOISTURE SENSOR IS NOT USED
4	11M7081	COTTER PIN	1		2.500 X 20 MM
5	L1526N	PIN	1		
6	AH126354	YOKE	1	-670100	
7	14M7296	FLANGE NUT	1		M10
8	14M7274	NUT	1		M10
9	AH134706	ELEVATOR	1	-645463	(SUB AH142185)
	AH142185	ELEVATOR	1		
	AH134705	ELEVATOR	1	-645463	(SUB AH142188) (STAINLESS STEEL)
	AH142188	ELEVATOR	1		(STAINLESS STEEL)
	AH153743	ELEVATOR	1	670192-	
	AH153744	ELEVATOR	1	670192-	
10	19M7785	SCREW	4		M10 X 25
	14M7296	FLANGE NUT	4		M10
11	AH109197	PIN	1	-640816	
	AH139816	PIN	1	640817-	
	AH156051	SPRING PIN	1	27MAY7-	
12	19M7783	SCREW	3	-655415	M10 X 16
	37M7086	SCREW	3	655416-	M10 X 20
13	03M7186	BOLT	2	-655142	M8 X 30
	BOLT	2	655143-	(WELDED)
	14M7298	FLANGE NUT	2		M8
14	03M7184	BOLT	12	-655142	M8 X 20
	BOLT	12	655143-	(WELDED)
	14M7298	FLANGE NUT	12		M8
15	AH131830	DOOR	1	-635100	(SUB AH135443)
	AH135443	DOOR	1	-670100	NO LONGER AVAILABLE
16	14M7298	FLANGE NUT	4		M8
17	AH130370	BRACKET	2		
18A	AH134669	LEVER	1	-670100	
18B	AH149242	BRACKET	1	670101-	
19	24H1710	WASHER	2		13/32" X 2" X 0.065"
20	19M7865	SCREW	2		M8 X 16

7F5

CLEAN GRAIN ELEVATOR, GRAIN TANK AND UNLOADING AUGER

UPPER CLEAN GRAIN ELEVATOR SHAFT, SPROCKET AND SHEAVE

HP3404 -UN-01JAN94



HP 3404

7F6

CLEAN GRAIN ELEVATOR, GRAIN TANK AND UNLOADING AUGER

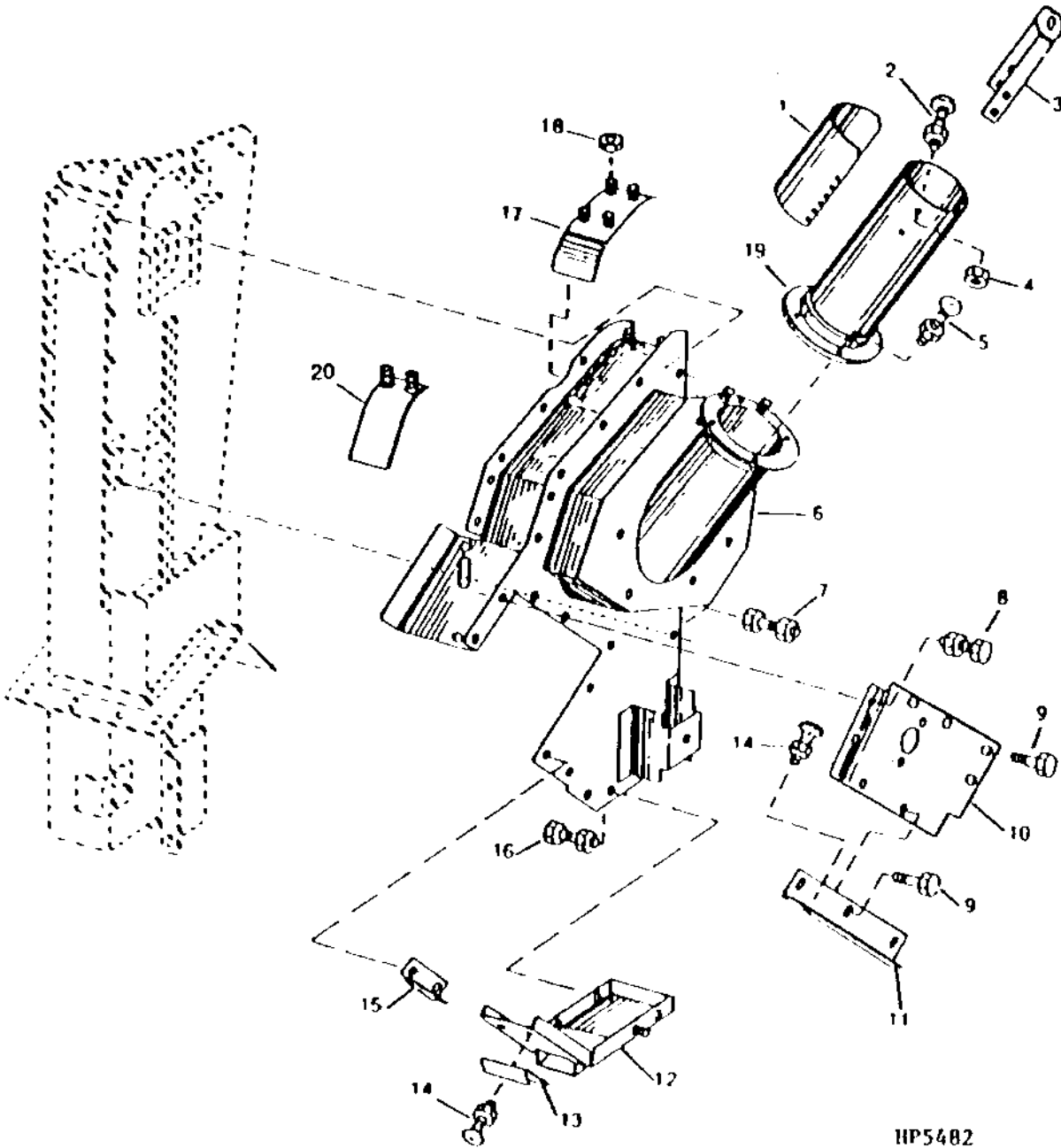
UPPER CLEAN GRAIN ELEVATOR SHAFT, SPROCKET AND SHEAVE - CONTINUED

KEY	PART NO.	PART NAME	QTY	SERIAL NO.	REMARKS
1	22M7080	SET SCREW	2		M8 X 8
2	AZ10045	ECCENTRIC LOCKING COLLAR	2		
3	E10018	PRESSED FLANGED HOUSING	4		
4	JD39103	BALL BEARING	2		
5	H128890	SPACER	2		
6	H135713	SHAFT	1		
7	49M6480	SHAFT KEY	1		8 X 7 X 50 MM
8	26M4228	SHAFT KEY	1		
9	H128576	CHAIN SPROCKET	1		8 TOOTH
10	03M7190	BOLT	6		M10 X 20
	14M7296	FLANGE NUT	6		M10
11	AH131329	SHEAVE	1	-640100	
	AH135463	SHEAVE	1	640101-	
12	19M7784	SCREW	4		M10 X 20
13	H134760	HUB	1		
14	19M7663	CAP SCREW	1		M8 X 70
15	H137830	BELT	1	-640100	
	H141167	BELT	1	640101-	

7F7

CLEAN GRAIN ELEVATOR, GRAIN TANK AND UNLOADING AUGER

UPPER CLEAN GRAIN LOADING AUGER HOUSING
HP5482 -UN-01JAN94



HP5482

7F8

CLEAN GRAIN ELEVATOR, GRAIN TANK AND UNLOADING AUGER

UPPER CLEAN GRAIN LOADING AUGER HOUSING - CONTINUED

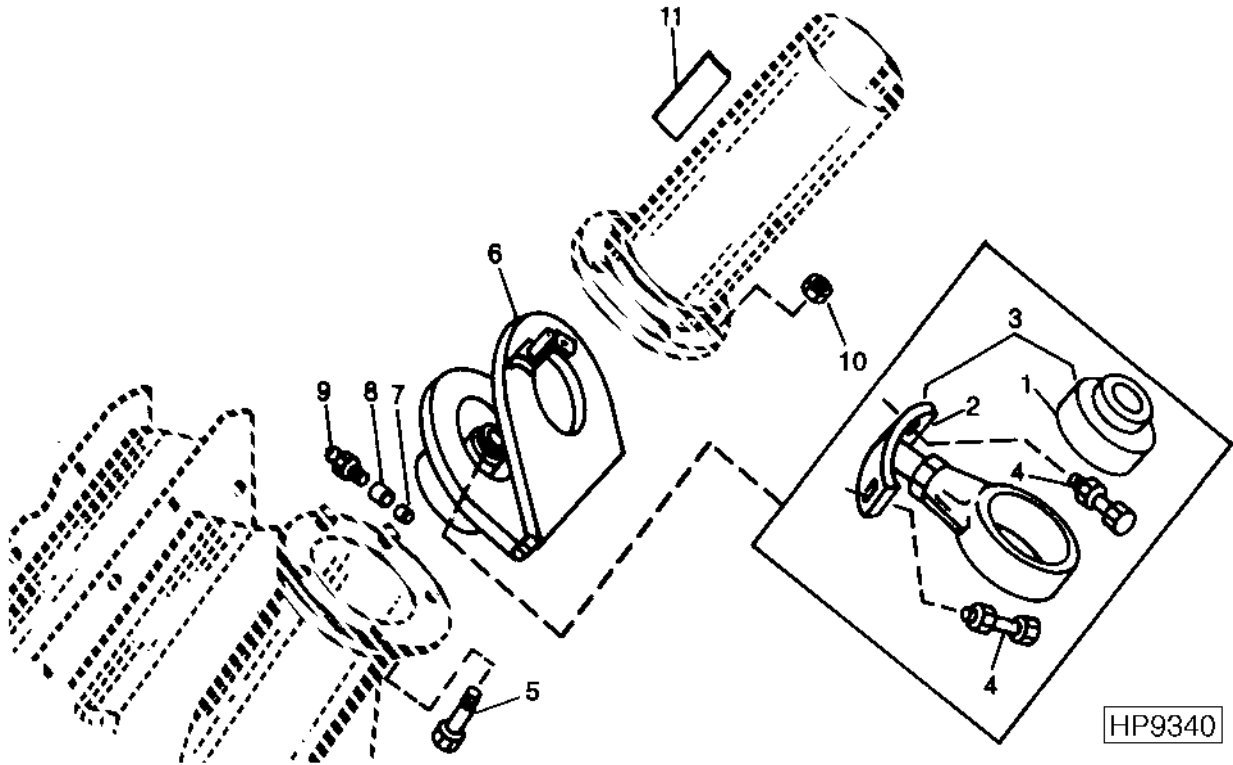
KEY	PART NO.	PART NAME	QTY	SERIAL NO.	REMARKS
1	H136094	DEFLECTOR	1	-640100	
	H136095	DEFLECTOR	1	640101-	
2	03M7193	BOLT	4		M10 X 35
	14M7296	FLANGE NUT	4		M10
3	AH132991	SUPPORT	1	-640100	
	AH135439	SUPPORT	1	640101-	
4	14M7296	FLANGE NUT	4		M10
5	03M7185	BOLT	4		M8 X 25
	14M7298	FLANGE NUT	4		M8
6	AH131197	CHUTE	1	-640100	
	AH135431	CHUTE	1	640101-670100	STAINLESS STEEL; NO LONGER AVAILABLE
	AH131371	CHUTE	1	-640100	(SUB AH131197) STAINLESS STEEL, NO LONGER AVAILABLE
	AH135432	CHUTE	1	-670100	STAINLESS STEEL; NO LONGER AVAILABLE
	AH149183	CHUTE	1		REGULAR STEEL
	AH149184	CHUTE	1		STAINLESS STEEL
7	19M7865	SCREW	9		M8 X 16
	14M7298	FLANGE NUT	9		M8
8	19M7866	SCREW	2		M8 X 20
	14M7298	FLANGE NUT	2		M8
9	19M7783	SCREW	8	-655415	M10 X 16
	37M7086	SCREW	8	655416-	M10 X 20
10	AH131206	PANEL	1	-640100	
	AH135441	PANEL	1	640101-	
11	H140097	ANGLE BLADE CYLINDER	1	-640100	
	H141033	ANGLE	1	640101-	
12	AH131550	DUST SHIELD	1		
13	H135538	ANGLE	1		
14	03M7183	BOLT	3		M8 X 16
	14M7298	FLANGE NUT	3		M8
15	H140096	ANGLE	1		
16	19M7865	SCREW	3		M8 X 16
	14M7298	FLANGE NUT	3		M8
17	AH132809	PLATE	1	-640100	
	AH135440	PLATE	1	640101-	
18	14M7298	FLANGE NUT	4		M8
19	AH131903	HOUSING	1	-640100	
	AH135444	HOUSING	1	640101-	
	AH132788	HOUSING	1	-640100	STAINLESS STEEL
	AH135445	HOUSING	1	640101-	STAINLESS STEEL
20	AH143356	KIT	1	-640100	(INCLUDES INSTRUCTION)
	AH142630	HOOD	1	640101-	

7F9

CLEAN GRAIN ELEVATOR, GRAIN TANK AND UNLOADING AUGER

FOLDING UPPER CLEAN GRAIN LOADING AUGER HOUSING

(660101-)
HP9340 -UN-23NOV99



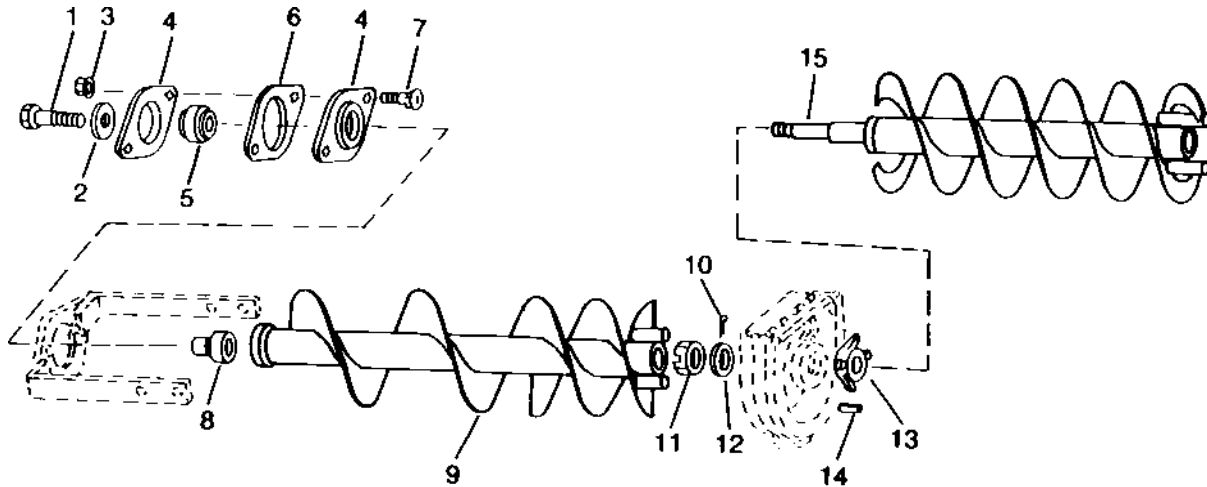
KEY	PART NO.	PART NAME	QTY	SERIAL NO.	REMARKS
1	AH146222	BEARING	1	-660245	(SUB AH146221)
2	AH146218	HANGER	1		
3	AH146221	BEARING	1		INCLUDES HANGER
4	19M7867	SCREW	2		M8 X 25
	14M7298	FLANGE NUT	2		M8
5	03M7185	BOLT	4		M8 X 25
6	AH146216	HINGE	1		
7	29H31	THREADED NIPPLE	1		
8	15H73	COUPLING	1		
9	JD7759	LUBRICATION FITTING	1		
10	14M7298	FLANGE NUT	4		M8
11	H151397	SIGN	1		"CAUTION" FOLDING AUGER

7F10

CLEAN GRAIN ELEVATOR, GRAIN TANK AND UNLOADING AUGER

FOLDING CLEAN GRAIN LOADING AUGER

(660101-)
HP5877 -UN-26JUN95



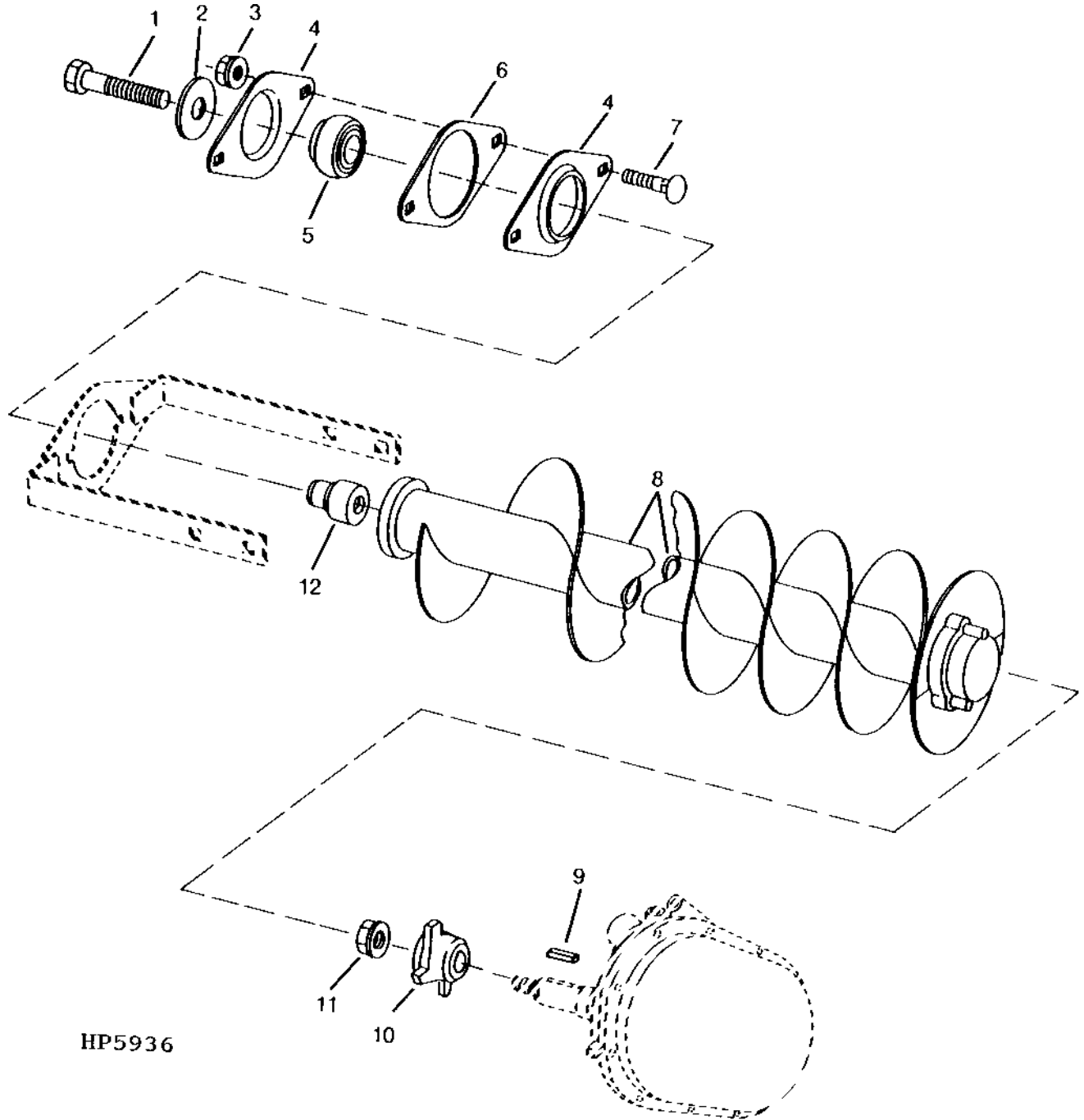
HP5877

KEY	PART NO.	PART NAME	QTY	SERIAL NO.	REMARKS
1	19M7818	SCREW	1		M12 X 80
2	24M7180	WASHER	1		13 X 37 X 3 MM (0.512" X 1.457" X 0.118")
3	14M7296	FLANGE NUT	2		M10
4	N15764	PRESSED FLANGED HOUSING	2		
5	JD9219	BALL BEARING	1		
6	H137916	SHIM	2		
7	03M7307	BOLT	2		M10 X 25
8	H137919	BUSHING	1		
9	AH145568	FLIGHT	1	-660483	(SUB AH146509)
	AH146509	FLIGHT	1		(INCLUDES H137919 BUSHING AND 19M7818 SCREW)
10	11M7087	COTTER PIN	1		4 X 40 MM (0.157" X 1.575")
11	14M7205	NUT	1		M24
12	24M7091	WASHER	1		26 X 44 X 4 MM (1.024" X 1.732" X 0.157")
13	H136186	AUGER	1		
14	49M4821	SHAFT KEY	1		
15	AH146214	AUGER	1		
..	BH80337	COMPLETE GOODS/SHIP. BUNDLE	1		FOLDING GRAIN TANK AUGER
..	BH81124	COMPLETE GOODS/SHIP. BUNDLE	1		PARTS BOX - AUGER ASSEMBLY - LOWER

7F11

CLEAN GRAIN ELEVATOR, GRAIN TANK AND UNLOADING AUGER

CLEAN GRAIN LOADING AUGER
HP5936 -UN-26JUN95



7F12

CLEAN GRAIN ELEVATOR, GRAIN TANK AND UNLOADING AUGER

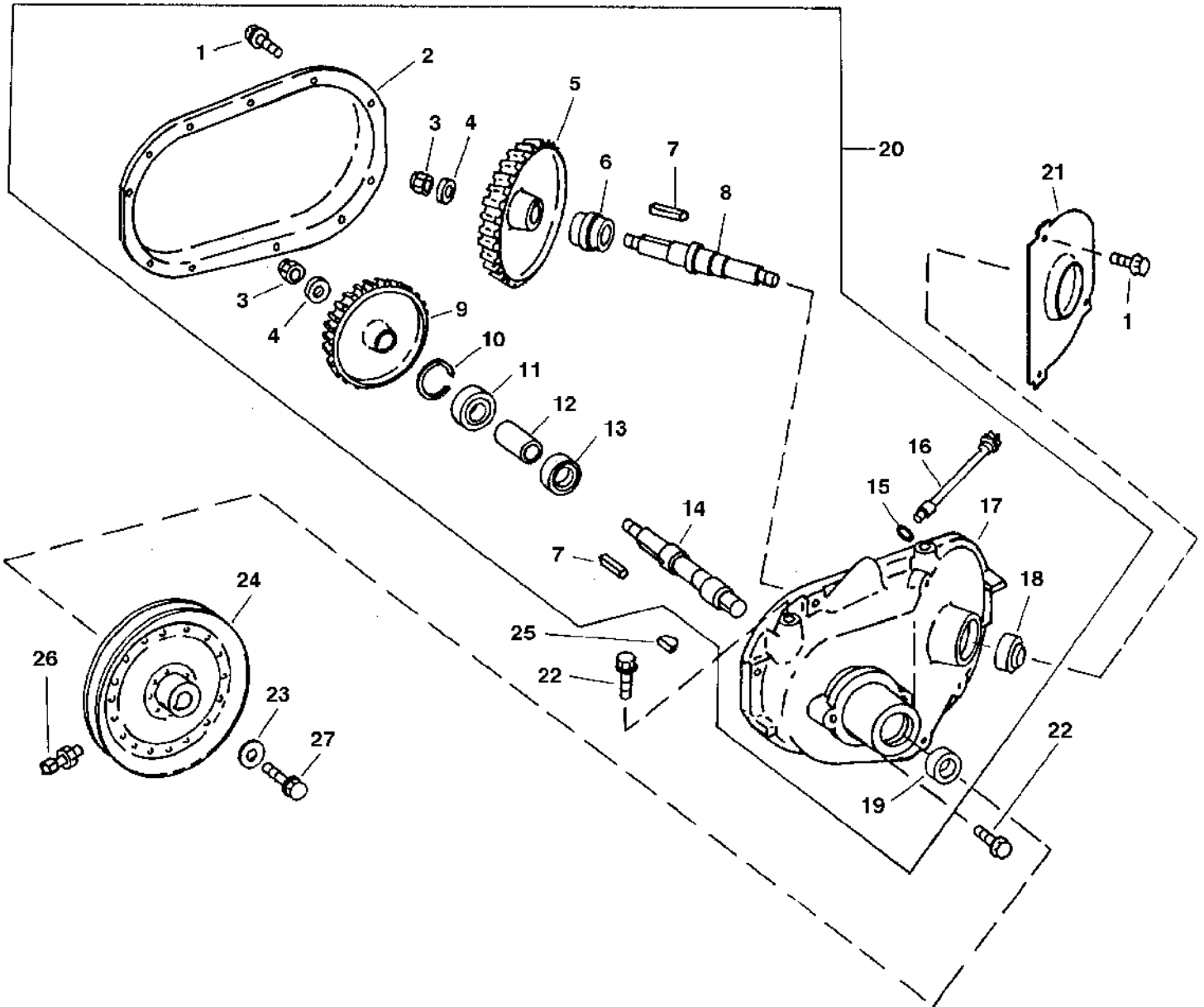
CLEAN GRAIN LOADING AUGER - CONTINUED

KEY	PART NO.	PART NAME	QTY	SERIAL NO.	REMARKS
1	19M7818	SCREW	1		M12 X 80
2	24M7180	WASHER	1		13 X 37 X 3 MM
3	14M7296	FLANGE NUT	2		M10
4	N15764	PRESSED FLANGED HOUSING	2		
5	JD9219	BALL BEARING	1		
6	H137916	SHIM	2		
7	03M7307	BOLT	2		M10 X 25
8	AH135209	TUBE	1	-635100	(SUB AH136091)
	AH136091	AUGER	1	-640100	
	AH136635	AUGER	1	640101-	
9	49M4821	SHAFT KEY	1		
10	H136186	AUGER	1		
11	14M7291	FLANGE NUT	1		M16
12	H137919	BUSHING	1		

7F13

CLEAN GRAIN ELEVATOR, GRAIN TANK AND UNLOADING AUGER

CLEAN GRAIN ELEVATOR GEARCASE AND SHEAVE
HP6913 -UN-18AUG97



HP6913

7F14

CLEAN GRAIN ELEVATOR, GRAIN TANK AND UNLOADING AUGER

CLEAN GRAIN ELEVATOR GEARCASE AND SHEAVE - CONTINUED

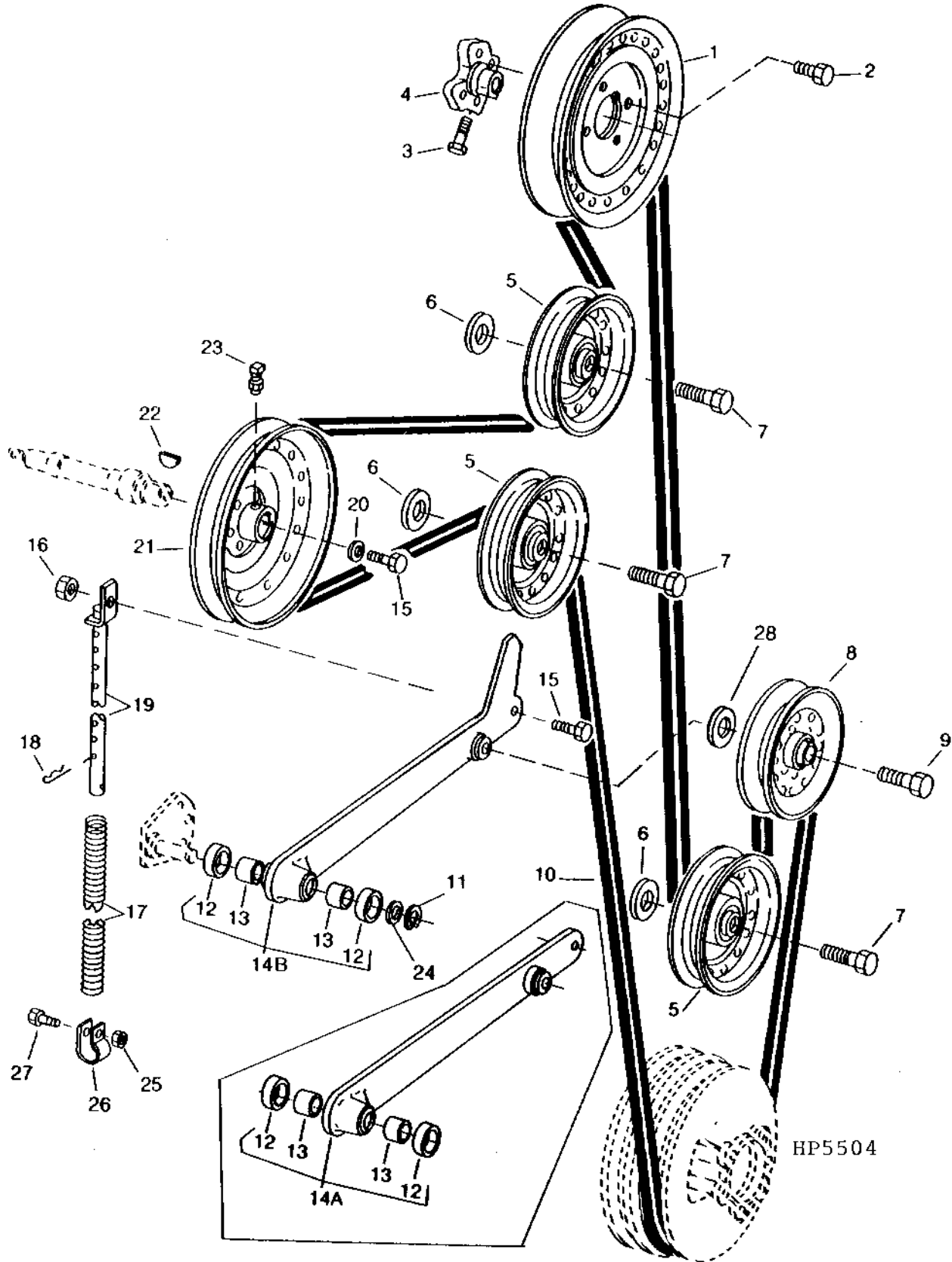
KEY	PART NO.	PART NAME	QTY	SERIAL NO.	REMARKS
1	19M7866	SCREW	17		M8 X 20
	19M7407	CAP SCREW	11	640506-	M8 X 25
	24H1685	WASHER	11	640506-	11/32" X 47/64" X 0.083"
2	H135454	COVER	1		
3	W39621	NUT	2		M16
4	24H1825	WASHER	2		11/16" X 1-1/2" X 0.194"
5	H145316	BEVEL GEAR	1		(SUB FOR H135286)
6	AE42998	BALL BEARING	1		(SUB FOR AH131873)
7	49M4821	SHAFT KEY	2		6 X 6 X 32 MM
8	H136209	SHAFT	1		
9	H145317	BEVEL GEAR	1		(SUB FOR H135287)
10	P46874	SNAP RING	1		
11	JD7689	BALL BEARING	1		
12	28H3054	BUSHING	1		
13	JD7681	BALL BEARING	1		
14	H135452	SHAFT	1		(USE WITH AH140127)
	H170967	SHAFT	1		(USE WITH DE19111)
15	R26375	O-RING	1		
16	AH134598	DIPSTICK	1		
17	H135453	GEAR CASE	1		
18	AH131860	SEAL	1		
19	AH21815	SEAL	1		
20	AH140127	GEAR CASE	1		(SUB DE19111) (ALSO ORDER AH164868, 26M7008 AND H170967) (SUB FOR AH134858)
	DE19111	GEAR CASE	1		
21	H137606	PLATE	1		
22	19M7789	SCREW	4		
23	24M7101	WASHER	1	-665460	11 X 34 X 3 MM, (SUB FOR 24H1730)
	24H1351	WASHER	1	668231-	14.275 X 38.100 X 4.166 MM
24	AH132372	SHEAVE	1		(USE WITH AH140127)
	AH164868	SHEAVE	1		(USE WITH DE19111)
25	26H85	SHAFT KEY	1		1/4" X 1", (USE WITH AH140127) (SUB FOR 26H22)
	26M7008	SHAFT KEY	1		8 X 28 MM, (USE WITH DE19111)
26	22H836	SET SCREW	2		3/8" X 1"
	14H732	NUT	2		3/8"
27	19M7786	SCREW	1		M10 X 30
..	TY15130	SEALANT	1		(03 OZ. TUBE) (CANADA PART NO TY9484)

7F15

CLEAN GRAIN ELEVATOR, GRAIN TANK AND UNLOADING AUGER

CLEAN GRAIN ELEVATOR DRIVE TIGHTENER AND IDLER

HP5504 -UN-01JAN94



7F16

CLEAN GRAIN ELEVATOR, GRAIN TANK AND UNLOADING AUGER

CLEAN GRAIN ELEVATOR DRIVE TIGHTENER AND IDLER - CONTINUED

KEY	PART NO.	PART NAME	QTY	SERIAL NO.	REMARKS
1	AH131329	SHEAVE	1	-640100	CONVEYOR CHAIN
	AH135463	SHEAVE	1	640101-	
2	19M7784	SCREW	4		M10 X 20
3	19M7663	CAP SCREW	1		M8 X 70
4	H134760	HUB	1		
5	AH94450	IDLER	3		
6	24M7053	WASHER	3		17 X 30 X 3 MM
7	19M7824	SCREW	3		M16 X 60
8	AN15237	IDLER	1		
9	19M7844	SCREW	1		M16 X 45
10	H137830	BELT	1	-640100	
	H141167	BELT	1	640101-	
11	P46402	SNAP RING	1		
12	AA5607R	SEAL	2		
13	H99147	BUSHING	2		(SUB H171061)
	H171061	BEARING	2		
14A	AH126052	ARM	1	-640100	
14B	AH135579	ARM	1	640101-	
15	19M7786	SCREW	2		M10 X 30
16	14M7337	NUT	1	-650100	M10
	A51212	LOCK NUT	1	650101-	
17	H129049	SPRING	1		
18	A3581R	SPRING LOCKING PIN	1	-645293	(SUB A15146)
	A15146	SPRING LOCKING PIN	1		
19	AH124502	RETAINER	1		
20	24M7101	WASHER	1	-15AU96	11 X 34 X 3 MM, (SUB FOR 24H1730)
	24H1351	WASHER	1	15AU96-	14.275 X 38.100 X 4.166 MM
21	AH132372	SHEAVE	1		GEARCASE
22	26H22	SHAFT KEY	1		1/4" X 1"
23	22H836	SET SCREW	2		3/8" X 1"
	14H732	NUT	2		3/8"
24	24M7091	WASHER	1		26 X 44 X 4 MM
25	14M7303	FLANGE NUT	1		M6
26	H132088	CLAMP	1		
27	19M8321	SCREW	1		M6 X 45
28	24H1373	WASHER	2		21/32" X 1-9/16" X 0.180"

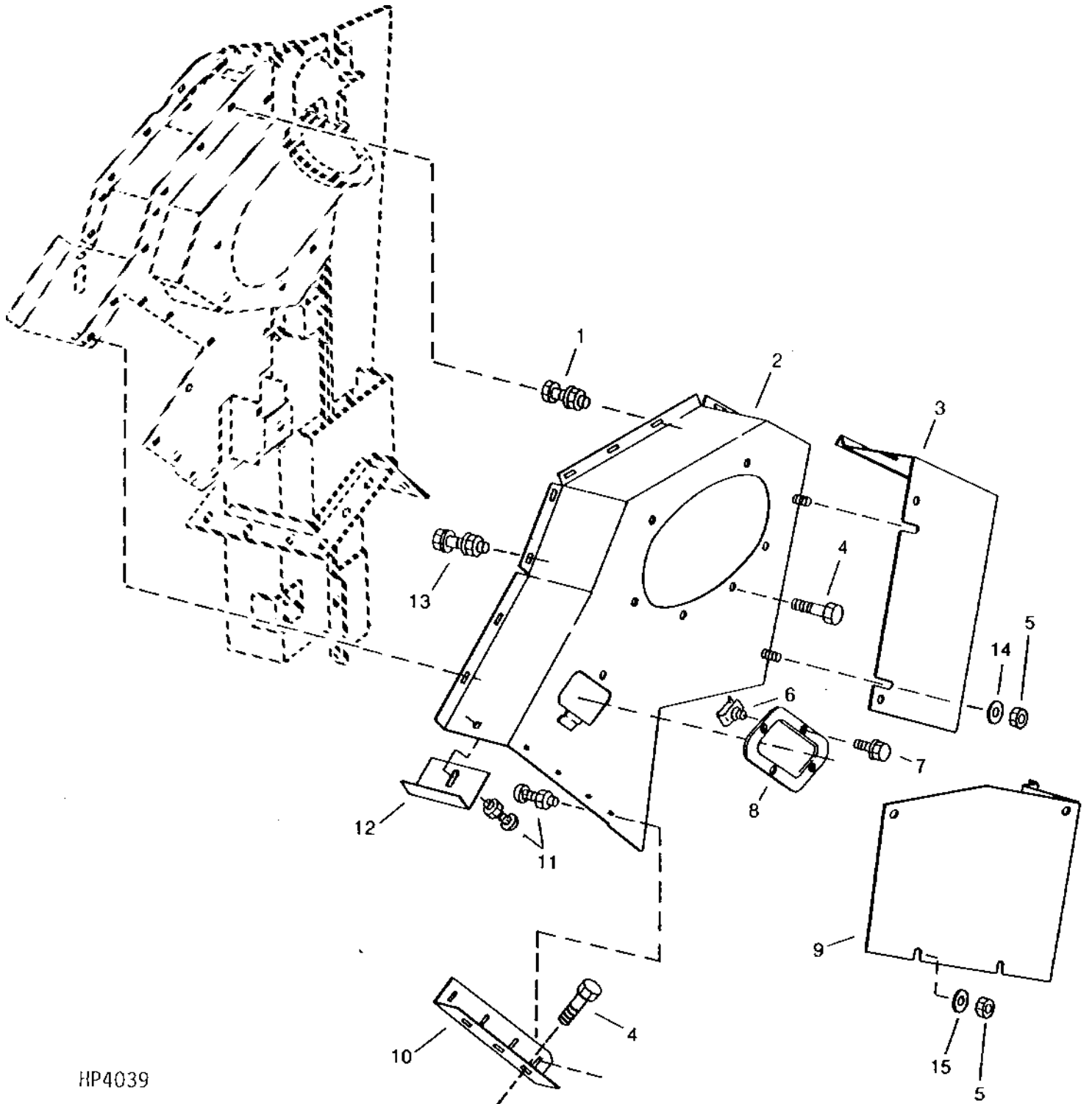
7F17

CLEAN GRAIN ELEVATOR, GRAIN TANK AND UNLOADING AUGER

UPPER CLEAN GRAIN ELEVATOR SHIELDS

(-640100)

HP4039 -UN-01JAN94



HP4039

7F18

CLEAN GRAIN ELEVATOR, GRAIN TANK AND UNLOADING AUGER

UPPER CLEAN GRAIN ELEVATOR SHIELDS - CONTINUED
(-640100)

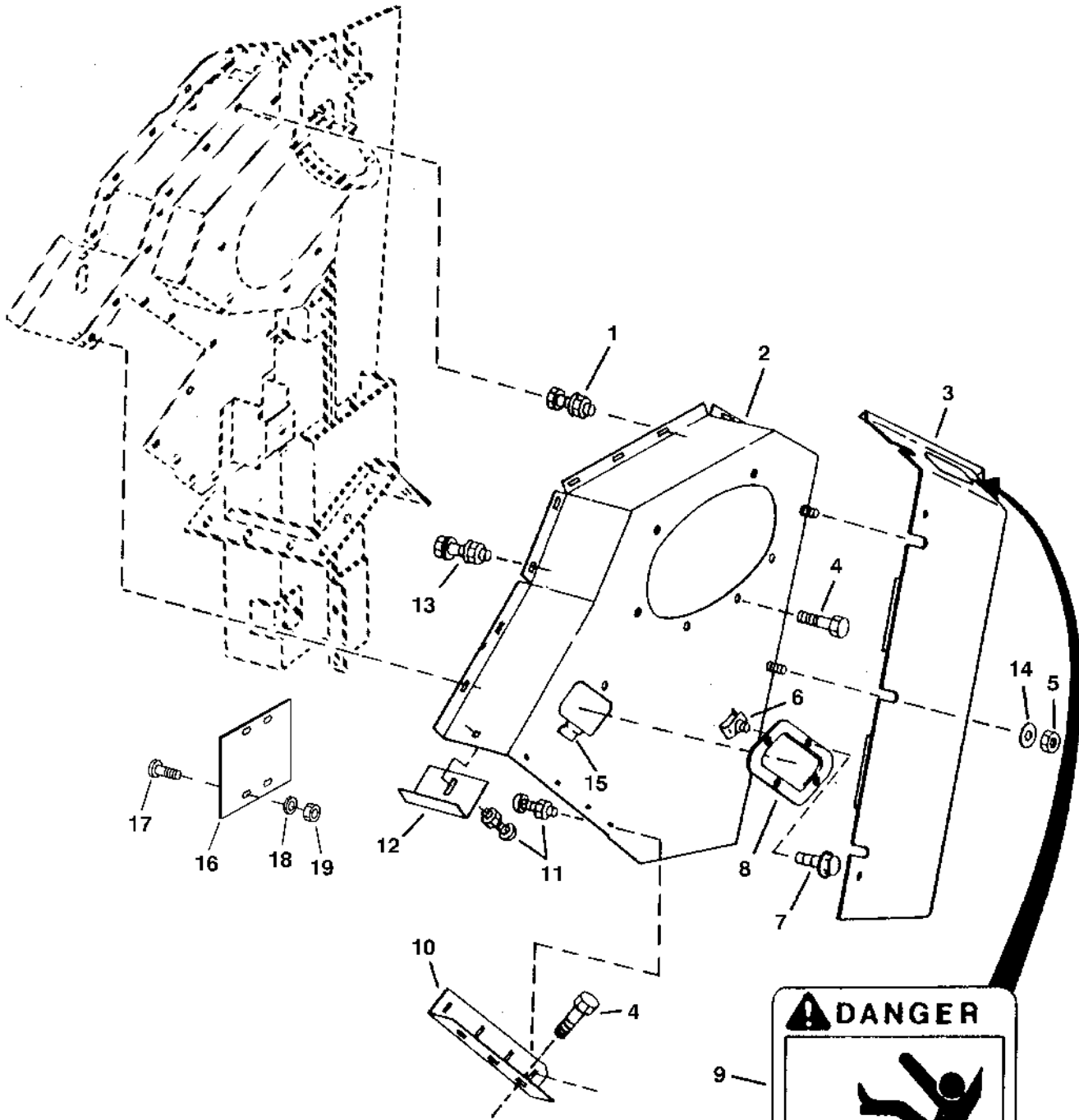
KEY	PART NO.	PART NAME	QTY	SERIAL NO.	REMARKS
1	19M7865	SCREW	5	M8 X 16	
	14M7298	FLANGE NUT	5	M8	
2	AH131237	SHIELD	1		
	AH135442	SHIELD	1		
3	AH131238	DUST SHIELD	1		
4	03M7183	BOLT	9	M8 X 16	
	14M7298	FLANGE NUT	9	M8	
5	14M7020	WING NUT	5	M8	
6	M84972	NUT	1		
7	19M7774	SCREW	1	M6 X 12	
8	H89569	DOOR	1		
9	H135588	DUST SHIELD	1	LOWER	
10	H139969	ANGLE	1		
11	03M7183	BOLT	5	M8 X 16	
	14M7298	FLANGE NUT	5	M8	
12	H135590	ANGLE	1		
13	19M7866	SCREW	2	M8 X 20	
	14M7298	FLANGE NUT	2	M8	
14	24H1297	WASHER	2	11/32" X 2" X 0.065"	
15	24M7207	WASHER	2	8.400 X 24 X 2 MM	

7F19

CLEAN GRAIN ELEVATOR, GRAIN TANK AND UNLOADING AUGER

UPPER CLEAN GRAIN ELEVATOR SHIELDS

(640101-)
HP6654 -UN-07MAR97



HP6654

7F20

CLEAN GRAIN ELEVATOR, GRAIN TANK AND UNLOADING AUGER

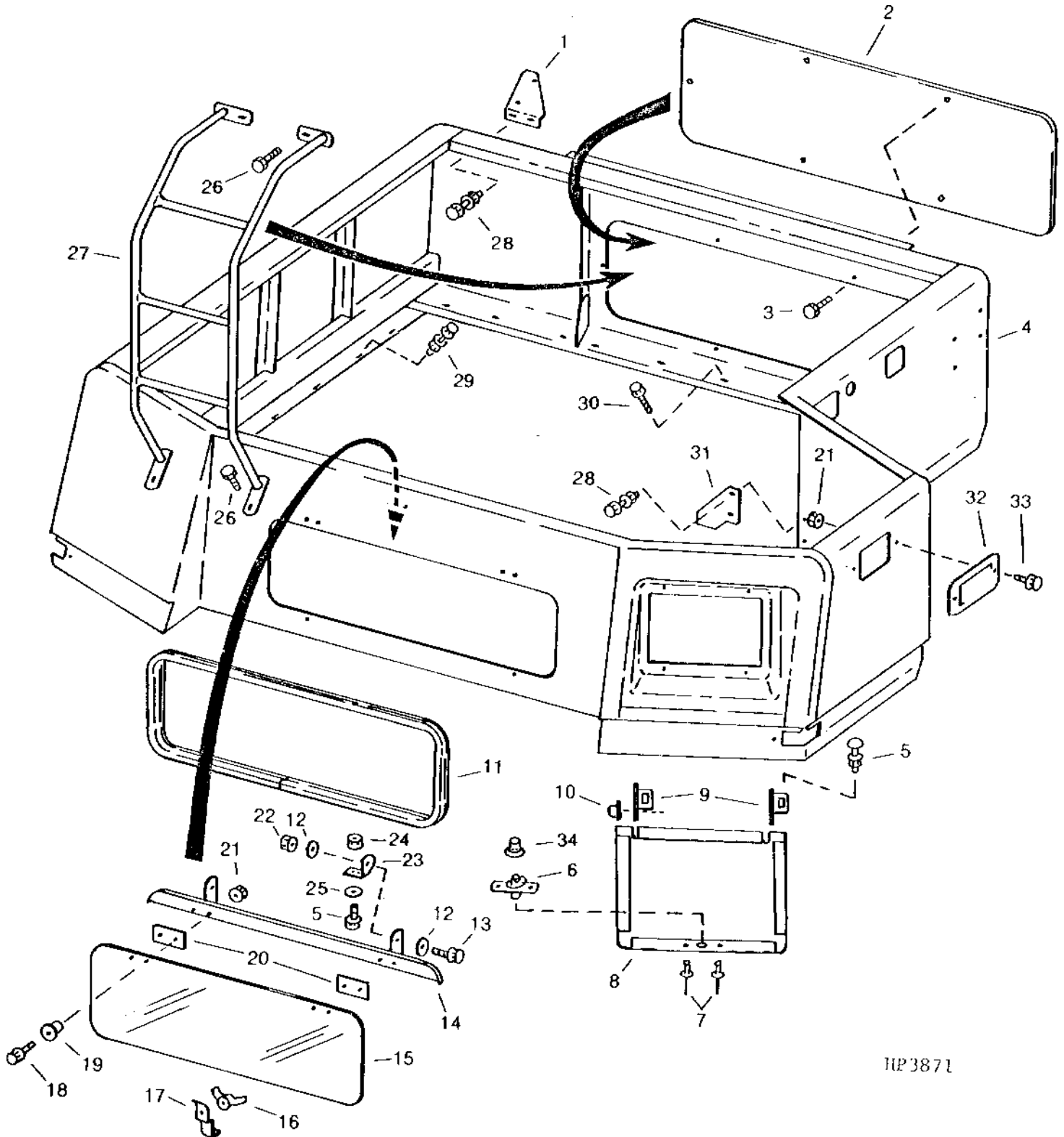
UPPER CLEAN GRAIN ELEVATOR SHIELDS - CONTINUED (640101-)

KEY	PART NO.	PART NAME	QTY	SERIAL NO.	REMARKS
1	19M7865	SCREW	5		M8 X 16
	14M7298	FLANGE NUT	5		M8
2	AH137257	SHIELD	1		
3	AH137256	SHIELD	1		
4	03M7183	BOLT	9		M8 X 16
	14M7298	FLANGE NUT	9		M8
5	14M7020	WING NUT	5		M8
6	M84972	NUT	1		
7	19M7774	SCREW	1		M6 X 12
8	H89569	DOOR	1		
9	H133638	LABEL	1	-660100	(SUB H149062)
	H149062	DECAL	1		"DANGER" ON GRAIN TANK EXTENSION
10	H141044	ANGLE	1		
11	03M7183	BOLT	5		M8 X 16
	14M7298	FLANGE NUT	5		M8
12	H135590	ANGLE	1		
13	19M7866	SCREW	2		M8 X 20
	14M7298	FLANGE NUT	2		M8
	24M7207	WASHER	2	670101-	8.400 X 24 X 2 MM
14	24H1297	WASHER	3		11/32" X 2" X 0.065"
15	H82060	CLIP	1		
16	PF10026	PLATE	1	670101-	
17	03M7190	BOLT	2	670101-	M10 X 20
18	24M7228	WASHER	2	670101-	15 X 21 X 1.300 MM
19	14M7296	FLANGE NUT	2	670101-	M10

7F21

CLEAN GRAIN ELEVATOR, GRAIN TANK AND UNLOADING AUGER

GRAIN TANK TOP
HP3871 -UN-01JAN94



HP3871

7F22

CLEAN GRAIN ELEVATOR, GRAIN TANK AND UNLOADING AUGER

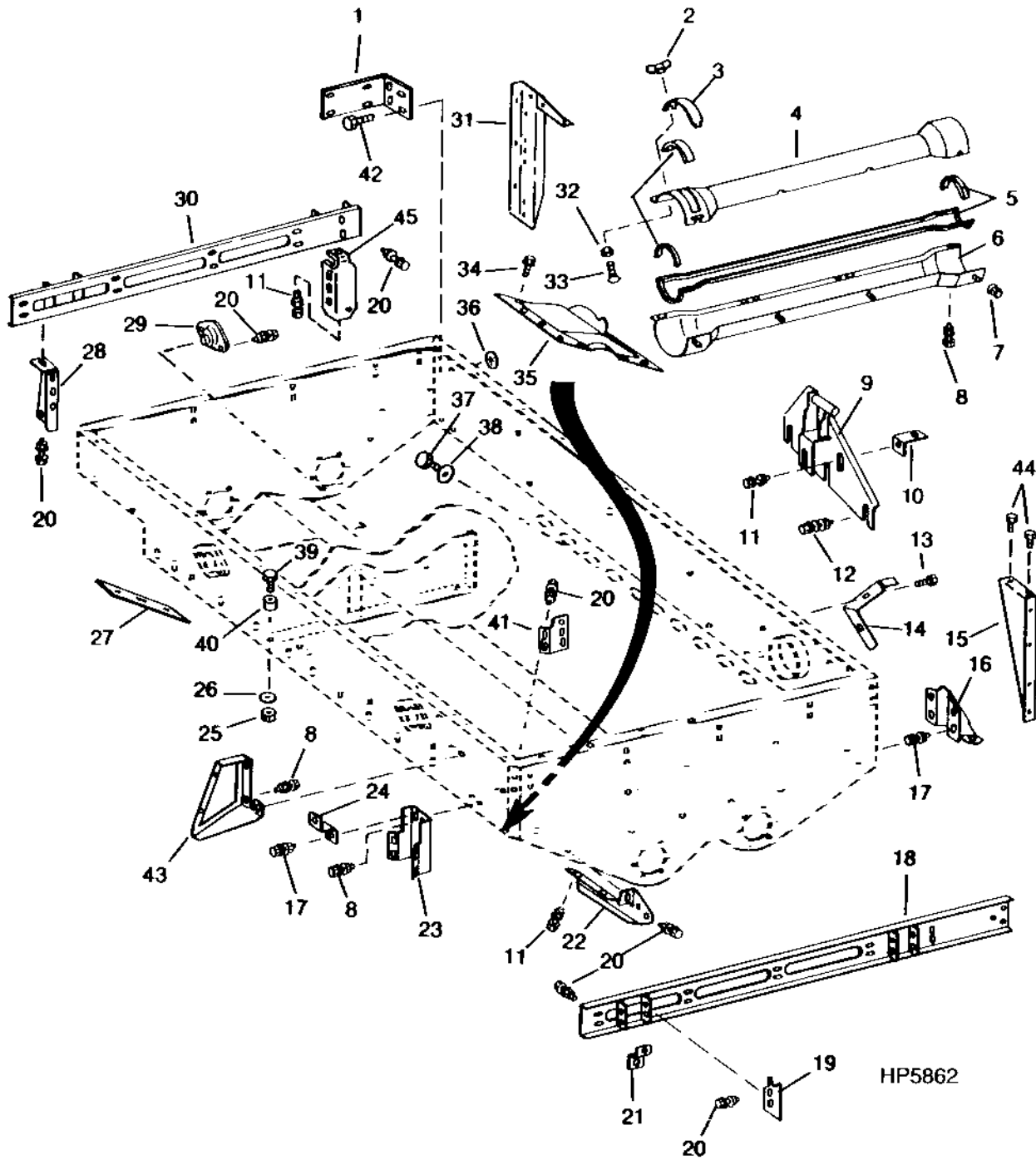
GRAIN TANK TOP - CONTINUED

KEY	PART NO.	PART NAME	QTY	SERIAL NO.	REMARKS
1	H133584	BRACKET	1		
2	H127638	PANEL	1		
3	19M7865	SCREW	6	-640684	M8 X 16
	37M7058	SCREW	6	640685-	M8 X 20
4	AH125261	TANK	1	-635200	(SUB AH136559)
	AH136559	TANK	1	635201-640100	(SUB AH134766)
	AH134766	TANK	1		
5	03M7183	BOLT	6		M8 X 16
	14M7298	FLANGE NUT	2		M8
6	AH125644	LATCH	1		
7	H64584	RIVET	2		
8	AH122507	DOOR	1		
9	H132024	HINGE	2		
10	H120499	NUT	2		
11	AH80335	WEATHERSTRIP	AR		
12	24H1290	WASHER	4	-645665	21/64" X 3/4" X 0.035"
	B27370	WASHER	1	645666-	
13	19M7866	SCREW	2		M8 X 20
14	AH126619	REINFORCEMENT	1		
15	H131675	WINDOWPANE	1		
16	14M7019	WING NUT	2		M6
17	H131674	LATCH	2		
18	19M7862	SCREW	4		M6 X 20
19	R50642	WASHER	4		
20	H131673	GASKET	2		
21	14M7303	FLANGE NUT	8		M6
22	14M7396	LOCK NUT	2		M8
23	H132542	ANGLE	2		
24	14M7298	FLANGE NUT	4		M8
25	H131531	NUT	4		
26	19M7866	SCREW	4		M8 X 20 M8
27	AH154920	LADDER	1		(SUB AH160622) (SUB FOR AH128554)
	AH160622	LADDER	1		
28	19M7866	SCREW	5		M8 X 20
	14M7298	FLANGE NUT	5		M8
29	19M7865	SCREW	13		M8 X 16
	14M7298	FLANGE NUT	15		M8
30	37M7058	SCREW	17		M8 X 20
31	H130262	PANEL	1		ROLLING THREAD
32	H132666	PLATE	2		
33	19M7774	SCREW	4		M6 X 12, USED ONLY WITHOUT ROW LIGHTS
34	H121391	KNOB	1		

7F23

CLEAN GRAIN ELEVATOR, GRAIN TANK AND UNLOADING AUGER

GRAIN TANK BASE
HP5862 -UN-14OCT94



7F24

CLEAN GRAIN ELEVATOR, GRAIN TANK AND UNLOADING AUGER

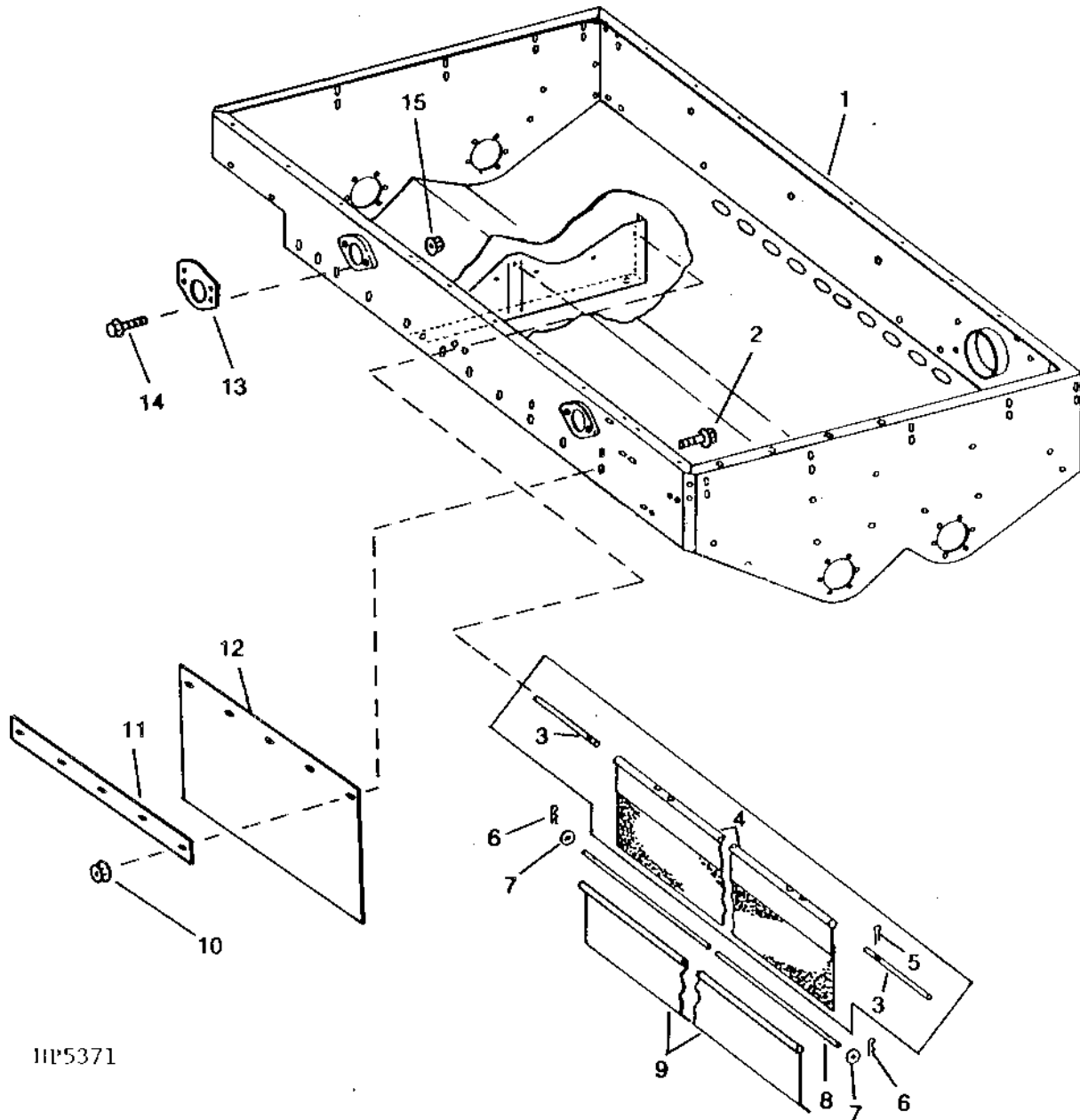
GRAIN TANK BASE - CONTINUED

KEY	PART NO.	PART NAME	QTY	SERIAL NO.	REMARKS
1	H129885	ANGLE	1		
2	14M7020	WING NUT	1	M8	
3	H131264	COVER	1		
4	H131230	HOUSING	1		UPPER
5	H81330	ISOLATOR	AR		(CUT FROM H81330) (APPROX. 16 FT.)
6	AH126279	DUST SHIELD	1		LOWER
7	14M7298	FLANGE NUT	4	M8	
8	19M7865	SCREW	8	M8 X 16	
	14M7298	FLANGE NUT	8	M8	
9	AH128037	BRACKET	1		
10	H132662	BRACKET	1		
11	19M7788	SCREW	6	M12 X 25	
	14M7299	FLANGE NUT	6	M12	
12	19M7788	SCREW	5	M12 X 25	
	24M7180	WASHER	5	13 X 37 X 3 MM	
	14M7299	FLANGE NUT	5	M12	
13	37M7083	SCREW	2		
14	H131227	DEFLECTOR	1		
15	H133828	SUPPORT	1	-643899	(SUB H147299)
	H147299	SUPPORT	1		
16	H129588	BRACKET	1		
17	19M7866	SCREW	5	M8 X 20	
	14M7298	FLANGE NUT	5	M8	
18	AH166714	CHANNEL	1		(SUB FOR AH125478) L.H.
19	H125537	PLATE	4		
20	19M7784	SCREW	37	M10 X 20	
	14M7296	FLANGE NUT	37	M10	
21	H131628	BRACKET	1		
22	H127677	BRACKET	1		LEFT-HAND
23	H136541	HOSE SUPPORT	1		
24	H132538	HOSE SUPPORT	1		
25	14M7299	FLANGE NUT	4	M12	
26	24M7240	WASHER	4	13 X 25 X 3 MM	
27	H139972	PLATE	1		
28	H129833	BRACKET	2	-640200	(SUB H139056)
	H139056	BRACKET	2		
29	AH108299	RUBBER MOUNT	2		CAB ISOLATION
30	AH166713	CHANNEL	1		(SUB FOR AH125306) R.H.
31	AH130198	SUPPORT	1		
32	H131531	NUT	2		(SUB M84309)
	T105964	NUT	2		
33	03M7184	BOLT	1	M8 X 20	
34	37M7087	SCREW	2	-655352	M10 X 25
	H145773	SELF-LOCKING SCREW	2	655353-	M10 X 35
35	AH126275	HOUSING	1		
36	H141123	NUT	5	10 MM	
37	37M7080	SCREW	5	M10 X 30	
38	24H1347	WASHER	5	17/32" X 2" X 0.194"	
39	19M8112	SCREW	4	M12 X 55	
40	N61709	BUSHING	4		
41	AH125814	SUPPORT	1		
42	19M7785	SCREW	5	M10 X 25	
43	H130363	BRACKET	1		
44	19M7788	SCREW	2	M12 X 25	
45	H129833	BRACKET	1		

7G1

CLEAN GRAIN ELEVATOR, GRAIN TANK AND UNLOADING AUGER

GRAIN TANK AND CURTAINS
HP5371 -UN-01JAN94



HP5371

7G2

CLEAN GRAIN ELEVATOR, GRAIN TANK AND UNLOADING AUGER

GRAIN TANK AND CURTAINS - CONTINUED

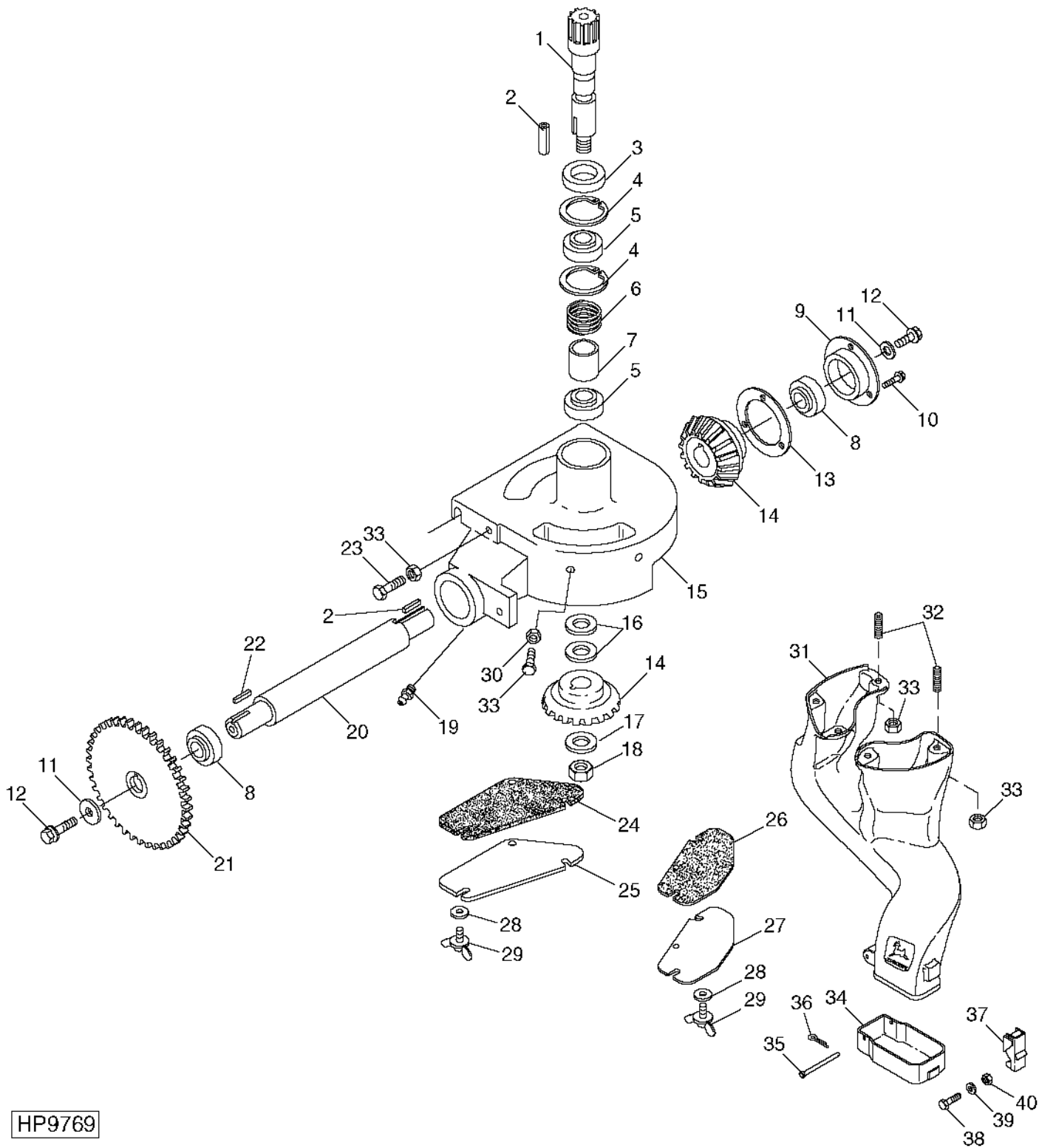
KEY	PART NO.	PART NAME	QTY	SERIAL NO.	REMARKS
1	AH158103	TANK	1	29SEP7-	(SUB FOR AH134601 OR AH125949)
	AH157725	TANK	1	-29SEP7	(SUB FOR AH135292 OR AH141641)
2	19M7785	SCREW	5	650101-	M10 X 25
3	H131865	PIN	1	-640100	
4	AH125391	LIMIT CURTAIN	1	-640100	
5	11M7059	COTTER PIN	2	-640100	3.200 X 20 MM
6	A15147	SPRING LOCKING PIN	2	640101-	
7	T20217	WASHER	2	640101-	12.954 X 43.942 X 6.350 MM
8	H144825	PIPE	1	640101-670100	(USE WITH H144823)
	H76863	PIN	1	640101-	(USE WITH H145516)
	H158973	TUBE	1	670101-670227	
	H144825	PIPE	1	670228-29SEP7	
9	H144823	LIMIT CURTAIN	1	640101-29SEP7	RUBBER (CORN AND GRAIN)
	H145516	DEFLECTOR	1	640101-29SEP7	STEEL (RICE)
10	14M7400	LOCK NUT	1	650101-29SEP7	M10
11	H148116	PLATE	1	650101-29SEP7	
12	H148056	LIMIT CURTAIN	1	650101-29SEP7	
13	H148518	PLATE	2	650101-	
14	19M7788	SCREW	4		M12 X 25
15	14M7299	FLANGE NUT	4		M12
..	AH168093	KIT	1		STAINLESS STEEL TROUGH LINER

7G3

CLEAN GRAIN ELEVATOR, GRAIN TANK AND UNLOADING AUGER

VERTICAL AUGER LOWER GEAR CASE

HP9769 -UN-23MAY00



HP9769

7G4

CLEAN GRAIN ELEVATOR, GRAIN TANK AND UNLOADING AUGER

VERTICAL AUGER LOWER GEAR CASE - CONTINUED

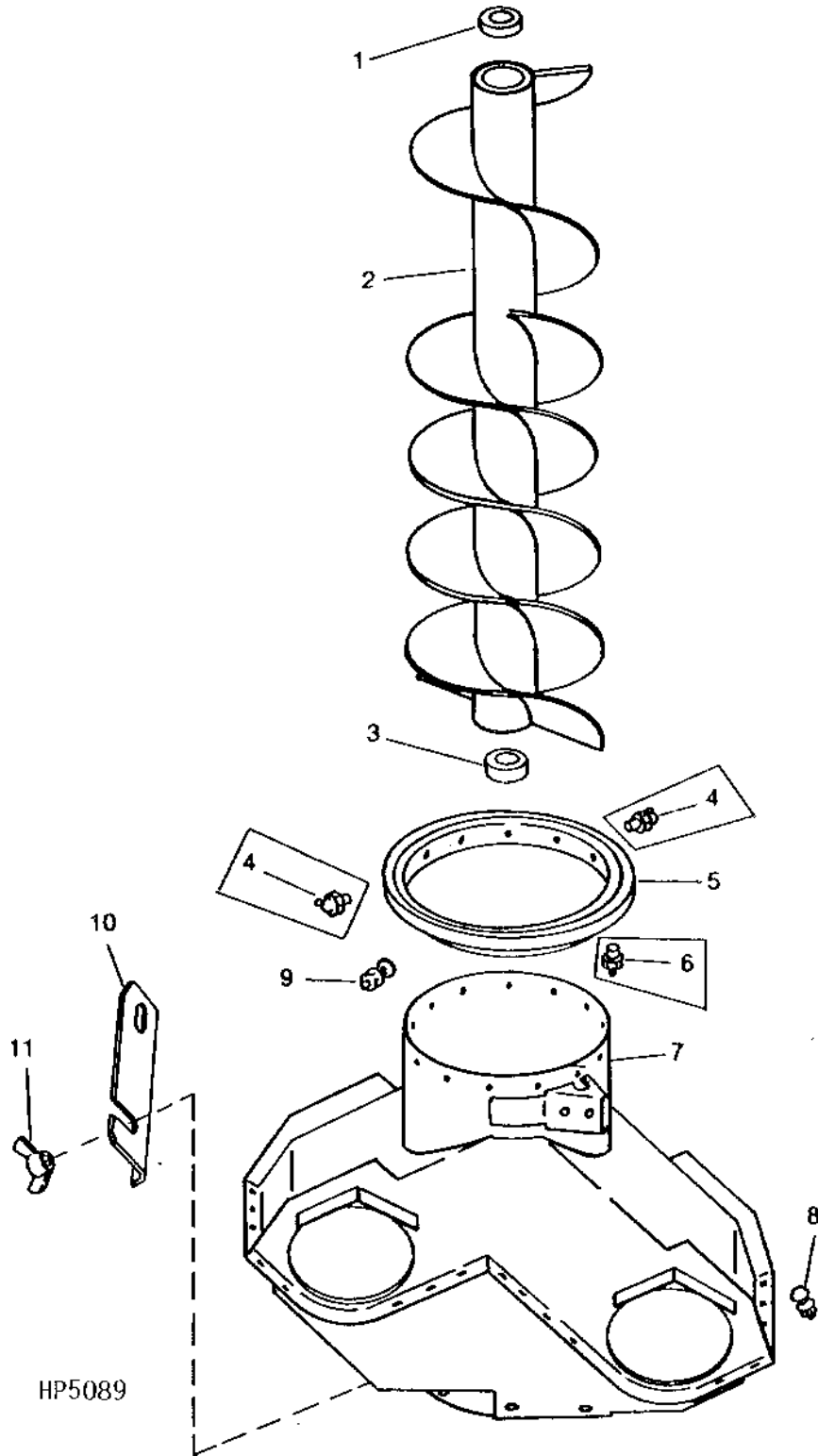
KEY	PART NO.	PART NAME	QTY	SERIAL NO.	REMARKS
1	H96169	SHAFT	1		LOWER
2	KEY	2		10 MM X 10 MM 32 MM (3/8" X 3/8" X 1-1/4") (CUT FROM H64376 IN AH64587 KEY STOCK KIT)
3	AH90963	SEAL	1		
4	N71921	SNAP RING	2		
5	AH96585	BEARING	2		
6	H96267	SPRING	1		
7	H96149	BUSHING	1		
8	JD8524	BEARING	2		
9	H113053	BEARING HOUSING W/O BEARING	1		
10	19M7785	SCREW	3		M10 X 25
11	H129716	WASHER	2		
12	19M7843	SCREW	2		M16 X 35
13	H96297	SHIM	1		0.254 MM (0.010")
	H96298	SHIM	2	-660311	0.508 MM (0.020")
	H96298	SHIM	1	660312-	0.508 MM (0.020")
14	H96294	GEAR	2		23 TOOTH
15	H130137	CASE	1		
16	24H1533	SHIM	1	-655208	0.018"
	24H1533	SHIM	2	655209-	0.018"
17	24H1433	WASHER	1		29/32" X 2-1/4" X 1/4"
18	H29623	LOCK NUT	1	-650239	22.225 MM (7/8")
19	JD7778	LUBRICATION FITTING	1	-650220	
	JD7763	LUBRICATION FITTING	1	650221-650342	45 DEGREE
	JD7759	LUBRICATION FITTING	1	650343-	STRAIGHT
20	H129653	SHAFT	1		
21	AH125080	DRIVE SPROCKET	1		46 TOOTH
	AH146352	DRIVE SPROCKET	1	660246-	40 TOOTH
22	KEY	1		10 MM X 10 MM X 38 MM (3/8" X 3/8" X 1-1/2") (CUT FROM H64376 IN AH64587 KEY STOCK)
23	19M7835	SCREW	1		M10 X 35
24	H135192	SEAL	1		FRONT
25	H136572	COVER	1		FRONT
26	H135193	SEAL	1		REAR
27	H136573	COVER	1		REAR
28	24M7178	WASHER	5		10.500 X 30 X 2.500 MM
29	21M7236	WING SCREW	5		M10 X 16
30	19M7786	SCREW	8		M10 X 30
31	AH167433	CHUTE	1		
32	22M7149	SET SCREW	5		
33	14M7296	FLANGE NUT	14		
34	H173223	CAP	1		
35	M112271	PIN	1		
36	J16931	SPRING LOCKING PIN	1		
37	AH168300	LATCH	1		
38	21M7284	SCREW	4		M3 X 16
39	24M7029	SHIM	4		
40	14M7196	NUT	4		M3

7G5

CLEAN GRAIN ELEVATOR, GRAIN TANK AND UNLOADING AUGER

VERTICAL UNLOADING AUGER AND CHARGE HOUSING

HP5089 -UN-01JAN94



7G6

CLEAN GRAIN ELEVATOR, GRAIN TANK AND UNLOADING AUGER

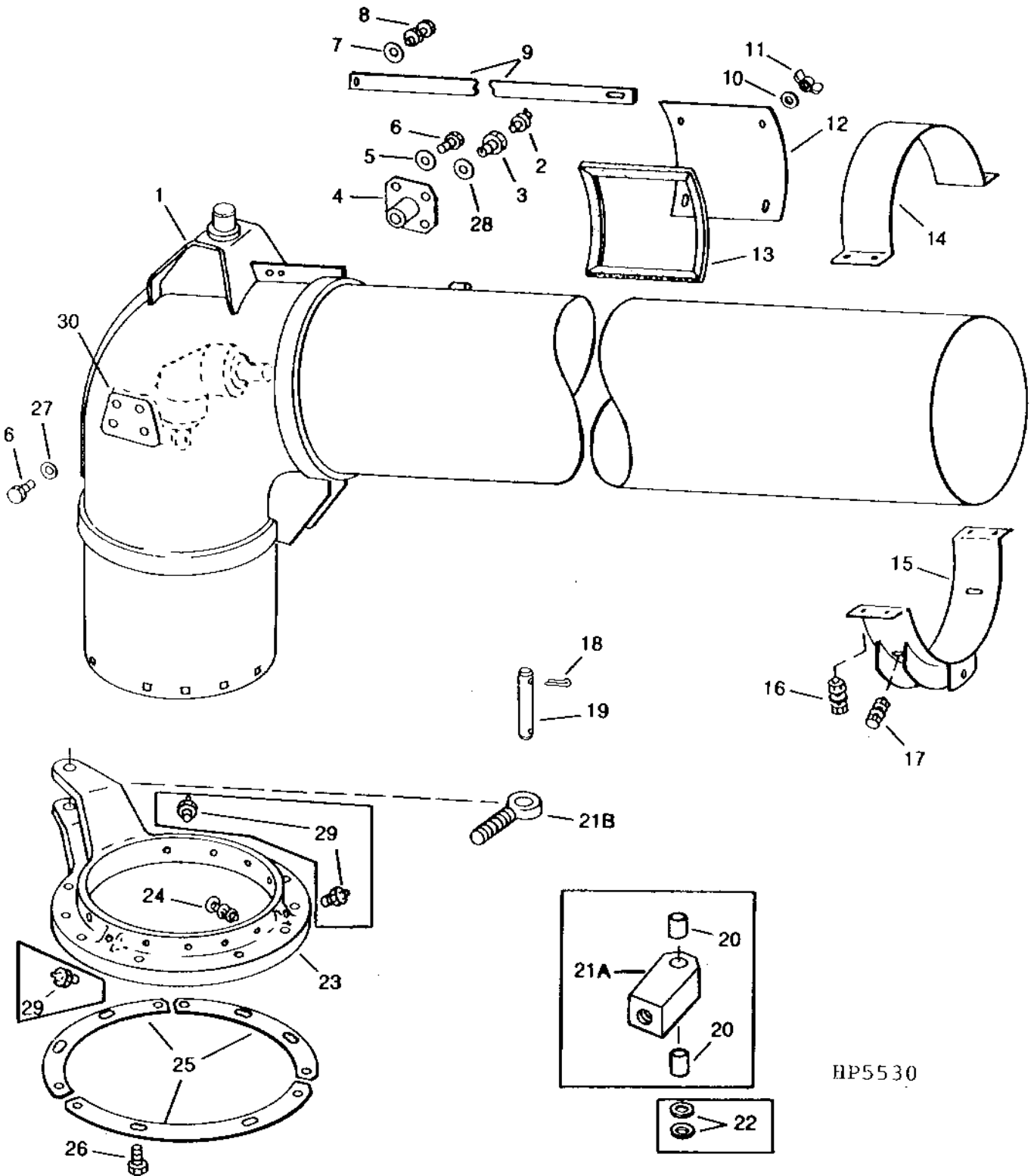
VERTICAL UNLOADING AUGER AND CHARGE HOUSING - CONTINUED

KEY	PART NO.	PART NAME	QTY	SERIAL NO.	REMARKS
1	H128861	SPLINED COUPLING	1		
2	AH124852	AUGER	1		REGULAR
	AH140081	FLIGHT	1		(FOR RICE)
3	AH124878	EXTERNAL HALF COUPLER	1		
4	JD7788	LUBRICATION FITTING	2	-630747	45°
5	H129855	RING	1	-635156	
	H141410	RING	1	635157-645645	
	H146775	RING	1	645646-	
6	JD7797	LUBRICATION FITTING	1	-630747	STRAIGHT
7	AH131239	HOUSING	1	-635175	(SUB AH136023)
	AH136023	HOUSING	1	-645645	
	AH140713	HOUSING	1	645646-	
8	03M7190	BOLT	30		M10 X 20
	14M7296	FLANGE NUT	30		M10
9	03M7191	BOLT	12	-645645	M10 X 25
	03M7198	BOLT	12	645646-	M12 X 30
	14M7296	FLANGE NUT	12	-646645	M10
	14M7299	FLANGE NUT	12	646646-	M12
10	H130771	PLATE	1		
11	14M7020	WING NUT	2		M8
..	WEATHERSTRIP	AR		(USE WITH H130771) (CUT FROM H81330)

7G7

CLEAN GRAIN ELEVATOR, GRAIN TANK AND UNLOADING AUGER

HORIZONTAL UNLOADING AUGER SWIVEL
HP5530 -UN-01JAN94



HP5530

7G8

CLEAN GRAIN ELEVATOR, GRAIN TANK AND UNLOADING AUGER

HORIZONTAL UNLOADING AUGER SWIVEL - CONTINUED

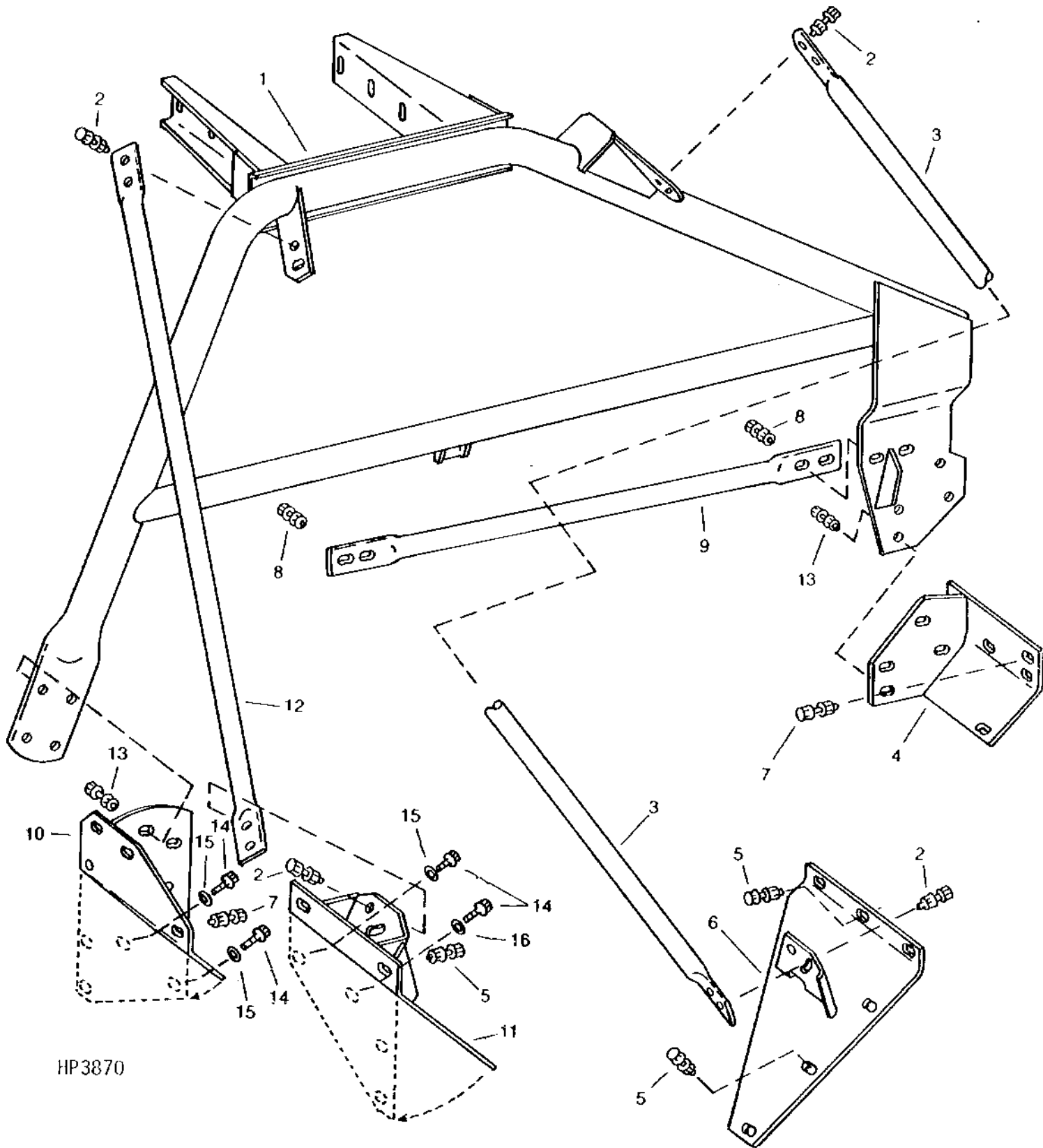
KEY	PART NO.	PART NAME	QTY	SERIAL NO.	REMARKS
1	AH162400	HOUSING	1		(SUB FOR AH131240, AH131241 OR AH145051)
2	JD7806	LUBRICATION FITTING	1		90 DEGREE
3	H96228	SCREW	1		
4	AH123912	SUPPORT	1		
5	12H304	LOCK WASHER	4		3/8"
6	19H2676	CAP SCREW	4		3/8" X 1"
7	24H1305	WASHER	1		13/32" X 13/16" X 0.065"
8	19H1732	CAP SCREW	1		3/8" X 1-1/4"
	E55662	FLANGE NUT	1		3/8"
9	H116351	STRAP	1		
10	24H1224	WASHER	4	-650243	11/32" X 1" X 1/16", (SUB 24M7207)
	24M7207	WASHER	4		
11	14H785	NUT	4		5/16"
12	H96652	DOOR	1		
13	WEATHERSTRIP	AR		(CUT FROM H81330)
14	H133178	CLAMP	1		
15	AH128038	STRAP	1	-631015	(SUB AH136153) AUGER STOP
	AH136153	STRAP	1		
16	19M7786	SCREW	4		M10 X 30
	24H1311	WASHER	4		13/32" X 1-1/4" X 0.220"
	14M7296	FLANGE NUT	4		M10
17	03M7190	BOLT	2		M10 X 20
	14M7296	FLANGE NUT	2		M10
18	11M7038	COTTER PIN	2		6.300 X 40 MM
19	H138930	PIN	1		
20	R50875	BUSHING	2	-650100	
21A	H137225	END	1	-650100	
21B	H148376	EYEBOLT	1	650101-	
22	24M7045	WASHER	2		23 X 34 X 4 MM, NOT REQUIRED WITH H137227
23	H129550	RING	1	-630747	(SUB H137227)
	H137227	RING	1		(SUB FOR H129550) DOES NOT REQUIRE 24M7045 WASHERS
24	03M7353	BOLT	12		M12 X 30
	14M7299	FLANGE NUT	12		M12
25	H131356	SECTOR	3		
26	19M7784	SCREW	12	-640816	M10 X 20
	19M7784	SCREW	8	640817-	M10 X 20
	19M7783	SCREW	4	640817-	M10 X 16
27	24H1308	WASHER	4		13/32" X 1" X 0.134"
28	12H294	LOCK WASHER	1		5/8"
29	JD7759	LUBRICATION FITTING	3	-635223	STRAIGHT
30	H147752	PLATE	1	645318-	

7G9

CLEAN GRAIN ELEVATOR, GRAIN TANK AND UNLOADING AUGER

AUGER SWIVEL SUPPORT AND BRACES

HP3870 -UN-01JAN94



HP3870

7G10

CLEAN GRAIN ELEVATOR, GRAIN TANK AND UNLOADING AUGER

AUGER SWIVEL SUPPORT AND BRACES - CONTINUED

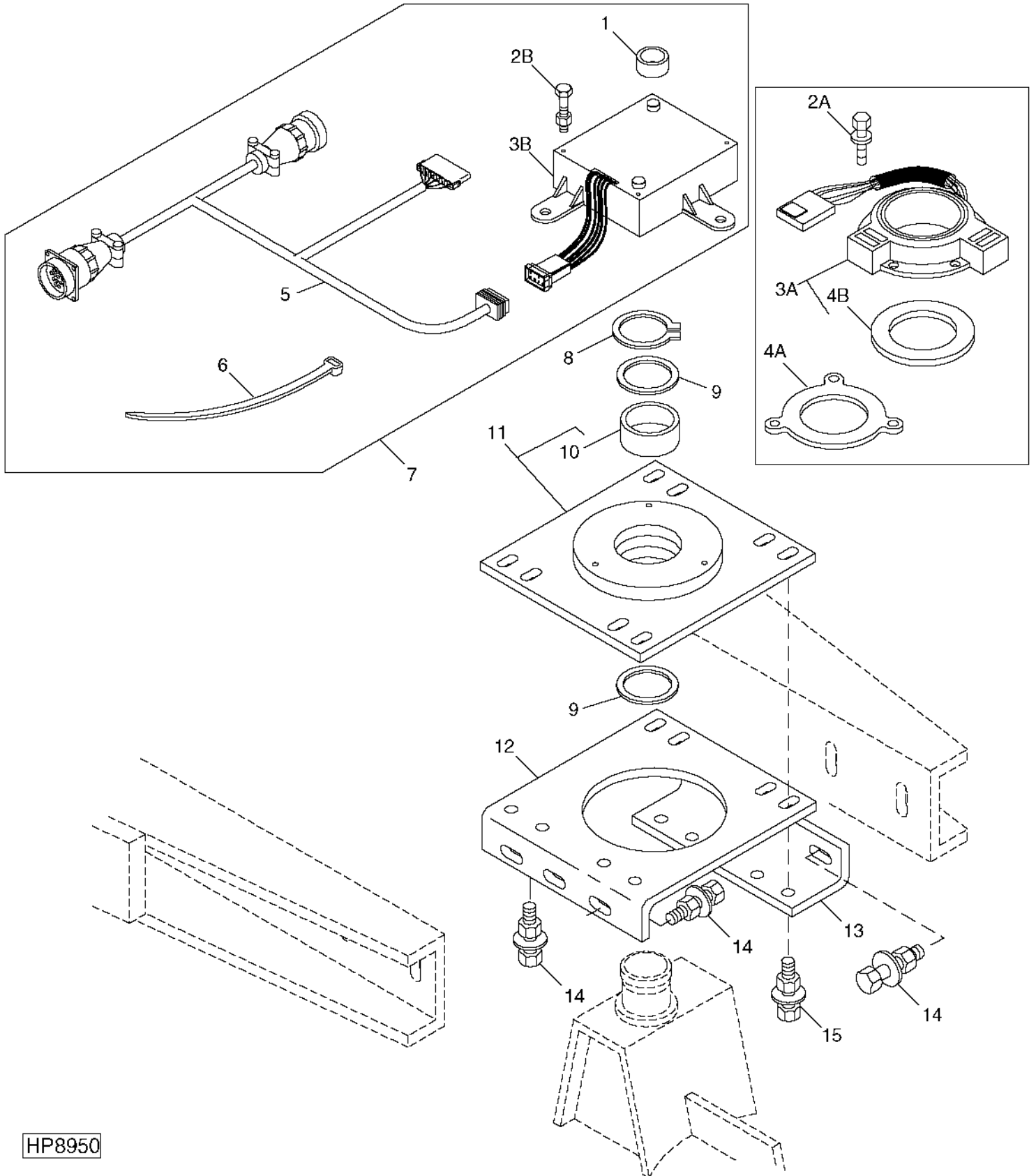
KEY	PART NO.	PART NAME	QTY	SERIAL NO.	REMARKS
1	AH126280	FRAME	1	-640100	(SUB AH131559)
	AH131559	FRAME	1	640101-640279	
	AH139996	FRAME	1	640280-645478	(SUB AH140790)
	AH140790	FRAME	1		
2	19M7793	SCREW	12		M16 X 40
	14M7291	FLANGE NUT	12		M16
3	H131256	BRACE	1		FRONT
4	AH126281	ANCHOR	1		L.H.
5	19M7789	SCREW	6		M12 X 30
	14M7299	FLANGE NUT	6		M12
6	AH126283	ANCHOR	1		R.H.
7	19M7788	SCREW	6		M12 X 25
	14M7299	FLANGE NUT	6		M12
8	19M7843	SCREW	4		M16 X 35
	14M7291	FLANGE NUT	4		M16
9	H131261	BRACE	1		CHARGE HOUSING
10	AH126282	ANCHOR	1		L.H. REAR
11	AH126284	ANCHOR	1		R.H. REAR
12	H131259	BRACE	1		REAR
13	19M7793	SCREW	8		M16 X 40
	14M7291	FLANGE NUT	8		M16
14	19M7791	SCREW	4		M12 X 40
15	24H1347	WASHER	3		17/32" X 2" X 0.194"
16	24H1380	WASHER	1		11/16" X 1-3/4" X 0.194", R.H. OUTER

7G11

CLEAN GRAIN ELEVATOR, GRAIN TANK AND UNLOADING AUGER

HORIZONTAL UNLOADING AUGER HUB SUPPORT AND SWITCH

HP8950 -UN-24AUG99



HP8950

7G12

CLEAN GRAIN ELEVATOR, GRAIN TANK AND UNLOADING AUGER

HORIZONTAL UNLOADING AUGER HUB SUPPORT AND SWITCH - CONTINUED

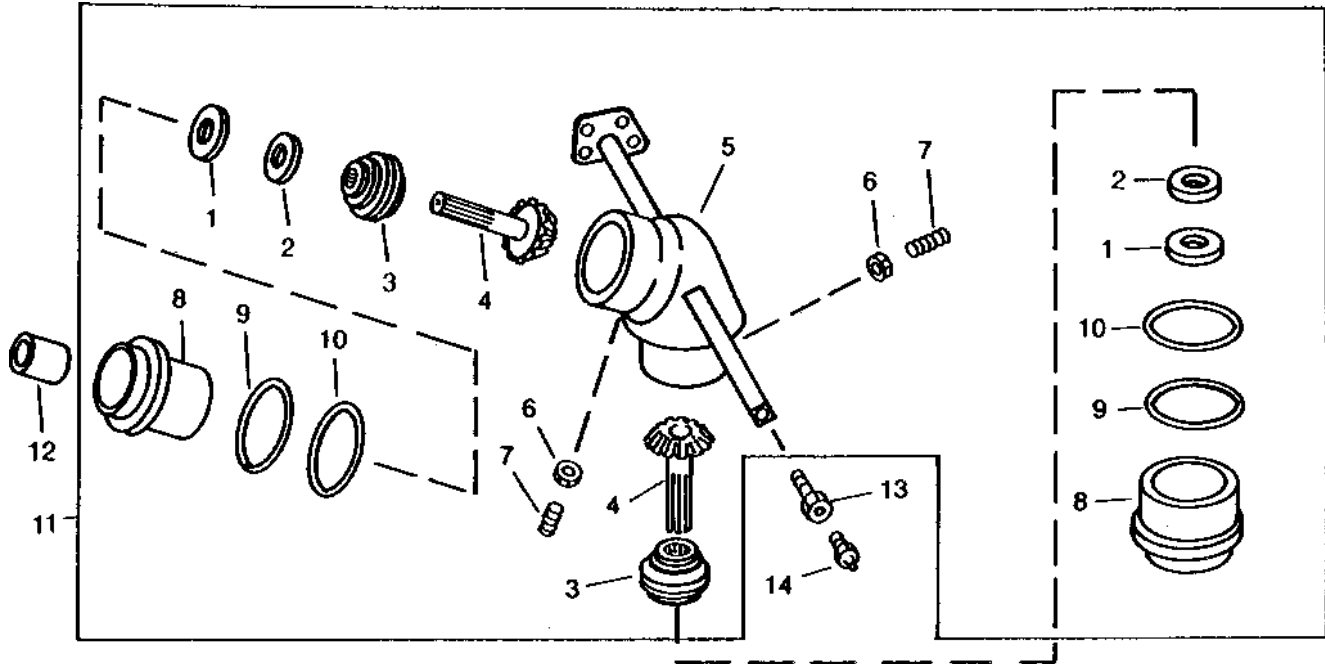
KEY	PART NO.	PART NAME	QTY	SERIAL NO.	REMARKS
1	28H3377	BUSHING	2		10.744 X 17.145 X 44.450 MM, (A)
2A	19M6755	CAP SCREW	3	640101-670000	M6 X 35
	24M7139	WASHER	3	29SEP7-670000	6.400 X 18 X 1.600 MM
2B	19M8402	CAP SCREW	2		M8 X 65, (A)
	14M7298	FLANGE NUT	2		M8, (A)
3A	AH142999	SWITCH	1	-670000	(SUB AH163979) (SUB FOR AH128906, AH137183 AND AH140989) (INCLUDES H148702 GASKET)
3B	AH155480	MODULE	1		(A)
4A	H128489	GASKET	1	-670000	(SUB H148702)
4B	H148702	GASKET	1	-670000	
5	AH156413	WIRING HARNESS	1		(A)
6	R44302	TIE BAND	6		(A)
7	AH163979	KIT	1		(INCLUDES PARTS MARKED (A) AND INSTRUCTIONS H168641)
8	40M7166	SNAP RING	1		(SUB FOR 40M1839)
9	H132097	WASHER	2		
10	H128479	BUSHING	1		
11	AH123602	HUB	1		
12	H131263	SUPPORT	1		
13	H131262	ANGLE	1		HUB MOUNTING
14	19M7790	SCREW	10		M12 X 35
	24M7180	WASHER	10		13 X 37 X 3 MM
	14M7299	FLANGE NUT	10		M12
15	19M7791	SCREW	4		M12 X 40
	24M7180	WASHER	4		13 X 37 X 3 MM
	14M7299	FLANGE NUT	4		M12
..	BH79118	COMPLETE GOODS/SHIP. BUNDLE	1		TEMPERATURE SENSOR PROTECTION

7G13

CLEAN GRAIN ELEVATOR, GRAIN TANK AND UNLOADING AUGER

HORIZONTAL UNLOADING AUGER DRIVE GEAR CASE

HP5336 -UN-01JAN94



HP5336

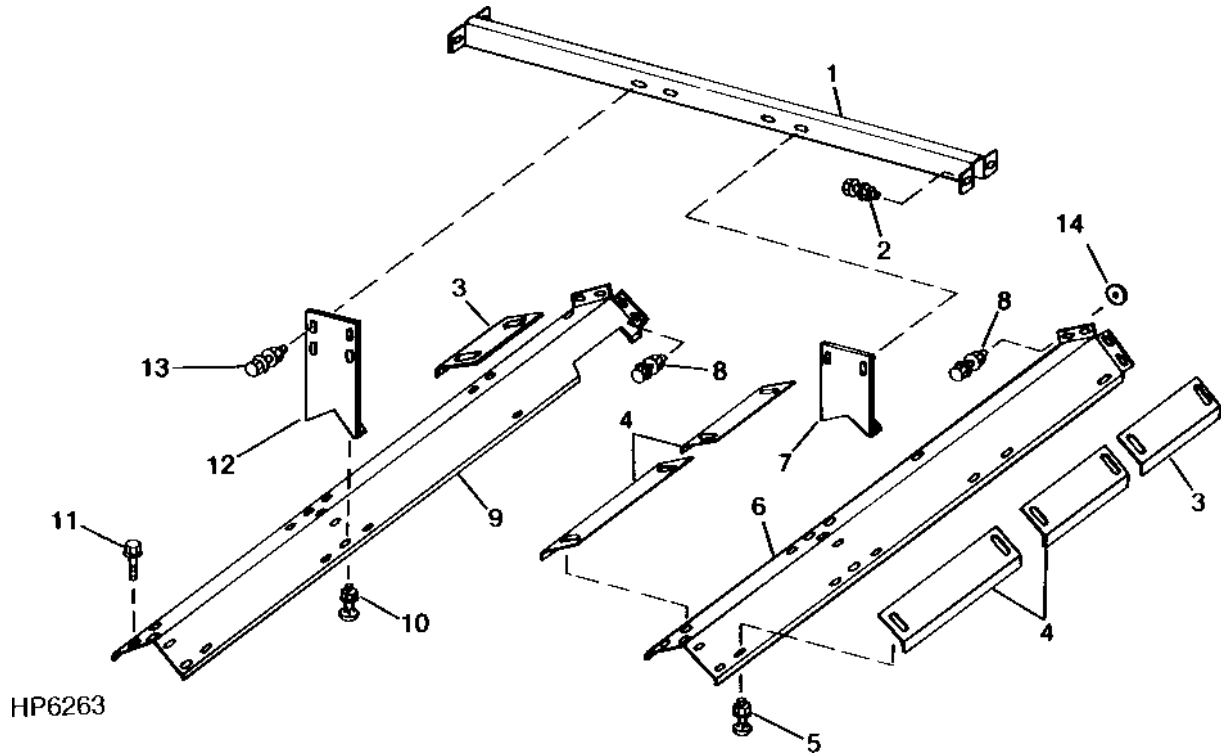
KEY	PART NO.	PART NAME	QTY	SERIAL NO.	REMARKS
1	AH98118	SEAL	2		
2	H99613	WASHER	2		1.248" X 1-3/4" X 3/8"
3	AH94661	BEARING	2		(USE WITH H99613) (SUB DE18970) INCLUDES TWO CONES, TWO CUPS AND TWO SPACERS
	DE18970	BEARING	2		
4	H96148	GEAR	2	-655470	18 TEETH, (SUB H149869)
	H149869	GEAR	2		
5	H96346	GEAR CASE	1	-650317	(SUB H149793) HOUSING ONLY (LESS GEARS)
	H149793	GEAR CASE	1		
6	14H732	NUT	4		3/8"
7	22H845	SET SCREW	4		3/8" X 3/4"
8	H96345	BEARING HOUSING W/O BEARING	2		
9	SHIM	4	-655335	(SUB AH139072)
10	SHIM	2		(SUB AH139072)
11	AH124509	GEAR CASE	1		(SUB AH164609)
	AH164609	GEAR CASE	1		
12	N72989	BUSHING	1		1-17/64" X 1-5/8" X 1.120"
13	H96228	SCREW	1		5/8" X 2-1/2"
	12H294	LOCK WASHER	1		5/8"
14	JD7797	LUBRICATION FITTING	1		STRAIGHT, 1/4"

7G14

CLEAN GRAIN ELEVATOR, GRAIN TANK AND UNLOADING AUGER

CROSS AUGER COVERS AND CHANNEL

HP6263 -UN-23JAN96



KEY	PART NO.	PART NAME	QTY	SERIAL NO.	REMARKS
1	H126801	CHANNEL	1		
2	19M7784	SCREW	4		M10 X 20
	14M7296	FLANGE NUT	4		M10
3	H129472	COVER	5	-665229	SMALL ADJUSTABLE
	H129472	COVER	6	665230-	
4	H129471	COVER	4		LARGE ADJUSTABLE
5	03M7183	BOLT	20		M8 X 16
	14M7298	FLANGE NUT	20		M8
6	H129465	COVER	1		REAR
7	H126802	SUPPORT	1		REAR COVER
8	19M7784	SCREW	8		M10 X 20
	14M7296	FLANGE NUT	8		M10
9	H129464	COVER	1		FRONT
10	03M7183	BOLT	8		M8 X 16
	14M7298	FLANGE NUT	8		M8
11	37M7058	SCREW	8		M8 X 20, (THREAD ROLLING)
12	H126804	SUPPORT	1		FRONT COVER
13	19M7865	SCREW	4		M8 X 16
	14M7298	FLANGE NUT	4		M8
14	H141123	NUT	8		
..	BH81165	COMPLETE GOODS/SHIP. BUNDLE	1		COVERS - AUGERS ADJUSTABLE

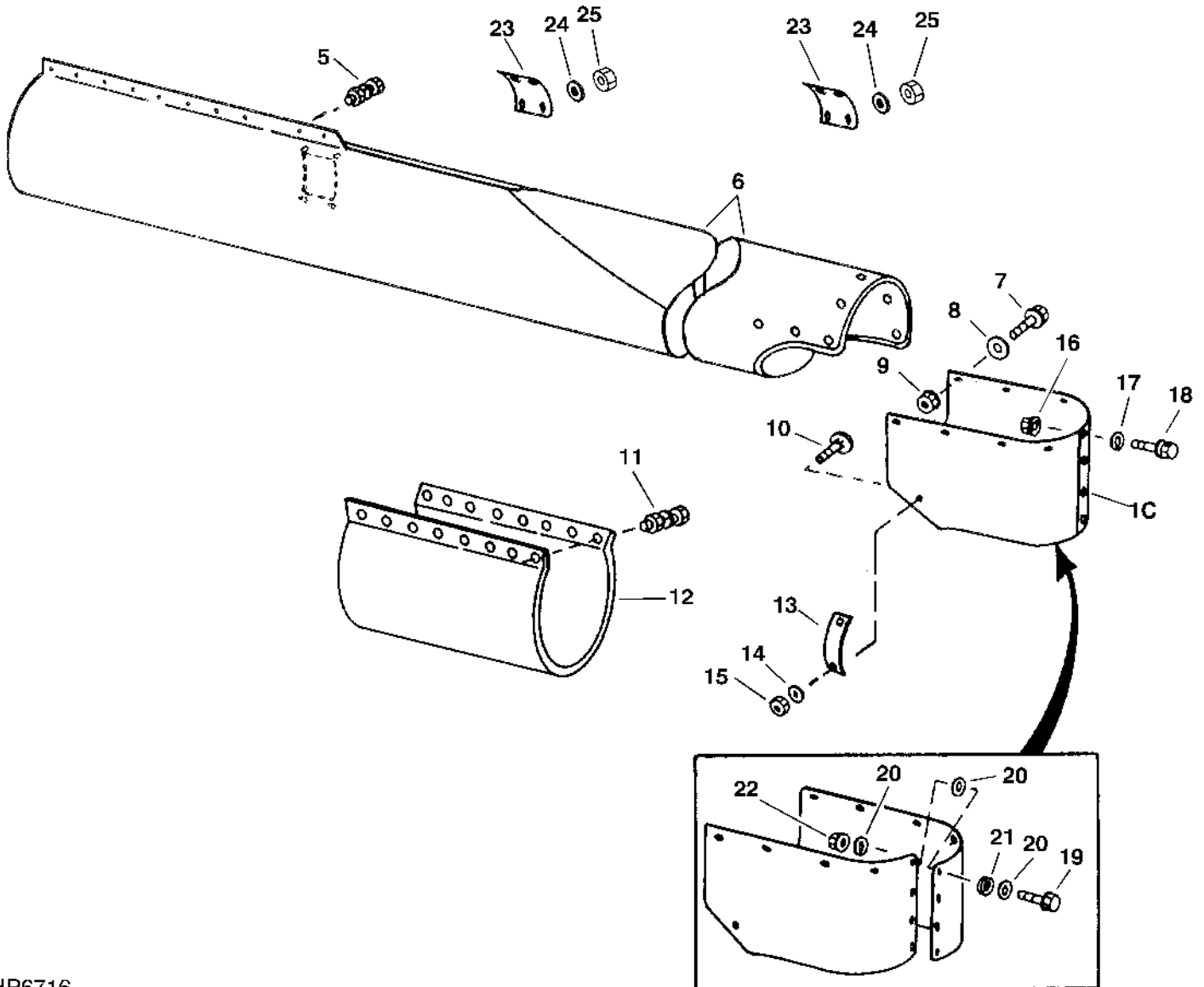
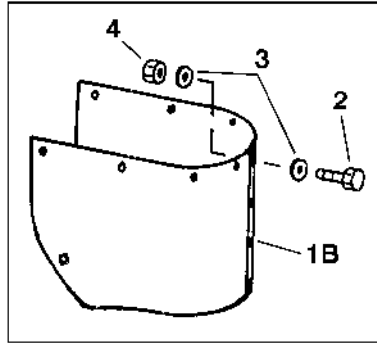
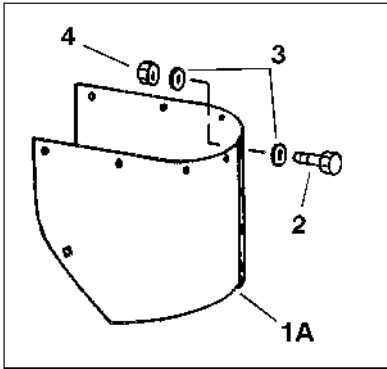
7G15

CLEAN GRAIN ELEVATOR, GRAIN TANK AND UNLOADING AUGER

HORIZONTAL UNLOADING AUGER HOUSING

(14 FT. AND 17 FT.)

HP6716 -UN-14MAY97



HP6716

7G16

CLEAN GRAIN ELEVATOR, GRAIN TANK AND UNLOADING AUGER

HORIZONTAL UNLOADING AUGER HOUSING - CONTINUED
(14 FT. AND 17 FT.)

KEY	PART NO.	PART NAME	QTY	SERIAL NO.	REMARKS
1A	H109093	SPOUT	1	-640100	(SUB H141449)
1B	H141449	SPOUT	1	-651467	
1C	H149780	SPOUT	1	651468-	
2	19M7867	SCREW	4		M8 X 25
3	24H1291	WASHER	8		21/64" X 1-15/32" X 7/64"
4	14M7298	FLANGE NUT	4		M8
5	19M7868	SCREW	11		M8 X 30
	14M7396	LOCK NUT	11		M8
6	AH122874	HOUSING	1	-660100	(SUB AH145047) SOLID (2755MM LONG)(USE WITH 14 FT. AUGER)
	AH145047	HOUSING	1		
	AH129066	HOUSING	1	640195-	SOLID (3670 MM LONG) (USE WITH 17 FT. AUGER)
	AH140334	HOUSING	1	-660100	(SUB AH145049)
	AH145049	HOUSING	1		
	AH122875	HOUSING	1	-660100	(SUB AH145048) PERFORATED (2755 MM LONG (USE WITH 14 FT. AUGER)
	AH145048	HOUSING	1		
	AH128682	HOUSING	1	-640194	(SUB AH140335) PERFORATED (3670 MM LONG) (USE WITH 17 FT. AUGER)
	AH140335	HOUSING	1		
	AH151408	HOUSING	1	670213-	5.2M PERFORATED, INNER
	AH151410	HOUSING	1	670213-	5.2M RIGID, OUTER
	AH151407	HOUSING	1	670213-	INNER (EXPORTS)
7	19M7867	SCREW	8		M8 X 25
8	24M7207	WASHER	8		8.400 X 24 X 2 MM
9	14M7298	FLANGE NUT	8		M8
10	03M7184	BOLT	2		M8 X 20
11	19M7897	SCREW	7		M8 X 35
	14M7298	FLANGE NUT	7		M8
12	H127998	COVER	1		USE WITH PERFORATED AUGER HOUSING
13	H141450	STRAP	1		
14	24H1291	WASHER	4		21/64" X 1-15/32" X 7/64"
15	14M7298	FLANGE NUT	2		M8
16	14M7298	FLANGE NUT	1		M8
17	24H1291	WASHER	1		21/64" X 1-15/32" X 7/64"
18	19M7867	SCREW	1	-670212	M8 X 25
	19M7867	SCREW	2	670213-	M8 X 25
19	19M7863	SCREW	3		M6 X 25
	19M7796	SCREW	3	655101-	M6 X 30
20	24H1291	WASHER	9		21/64" X 1-15/32" X 7/64"
21	28H5	WASHER	3		0.269" X 0.405" X 1/4"
22	14M7303	FLANGE NUT	3		M6
23	H96652	DOOR	2	670213-	
24	24M7207	WASHER	8	670213-	8.400 X 24 X 2 MM
25	14H785	NUT	8	670213-	5/16"

7G17

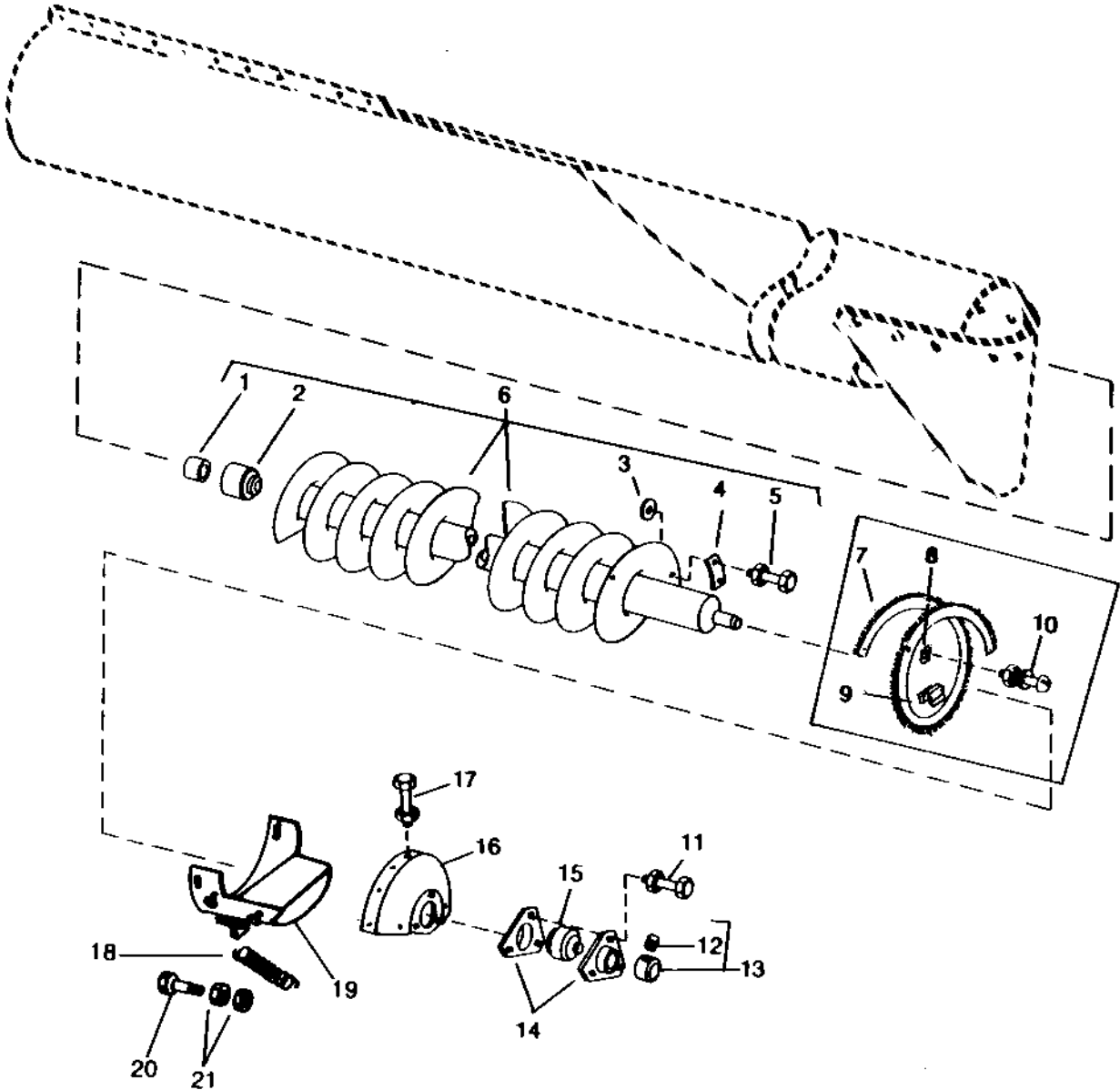
CLEAN GRAIN ELEVATOR, GRAIN TANK AND UNLOADING AUGER

HORIZONTAL UNLOADING AUGER

(14- AND 17-FT.)

HP5883

-UN-15OCT94



HP5883

7G18

CLEAN GRAIN ELEVATOR, GRAIN TANK AND UNLOADING AUGER

HORIZONTAL UNLOADING AUGER (14- AND 17- FT.)

KEY	PART NO.	PART NAME	QTY	SERIAL NO.	REMARKS
1	N72989	BUSHING	1		
2	AH122717	GUDGEON	1		(14 FT. ONLY) FOR AUGER REPAIR ONLY
	H127921	SPLINED COUPLING	1		W/O WASHER (17 FT. ONLY)FOR AUGER REPAIR ONLY
3	24H1300	WASHER	AR		25/64" X 2" X 0.220"
	24H1311	WASHER	AR		13/32" X 1-1/4" X 0.220"
4	H119566	STRIP	AR		100 MM (4") LONG
	H119567	STRIP	AR		120 MM (5") LONG
	H119568	STRIP	AR		150 MM (6") LONG
5	03H1495	BOLT	AR		3/8" X 1-1/2"
	03H1557	BOLT	AR		3/8" X 1-1/4"
	K40003	LOCK NUT	AR		
6	AH123436	AUGER	1	-640100	(SUB AH132032) (14 FT.) INCLUDES AH122717 AND H127921
	AH132032	AUGER	1	-650373	(SUB AH143731) (14 FT.) INCLUDES AH122717 AND H127921
	AH143731	AUGER	1		
	AH123437	AUGER	1	-640100	(SUB AH132033) (17 FT.) INCLUDES AH122717 AND H127921
	AH132033	AUGER	1	-650373	(SUB AH143729) (17 FT.) INCLUDES AH122717 AND H127921
	AH143729	AUGER	1		
7	AH111354	SEAL	1	-640100	
8	H113717	CLIP	3	-640100	
9	H114709	CLIP	6	-640100	
10	21H1029	SCREW	3	-640100	5/16" X 3/4", (SUB 21H1304)
	12H303	LOCK WASHER	3	-640100	5/16"
	14H785	NUT	3	-640100	5/16"
11	03M7184	BOLT	3		M8 X 20
	14M7298	FLANGE NUT	3		M8
12	22H897	SET SCREW	1		1/4" X 1/4"
13	JD8554	ECCENTRIC LOCKING COLLAR	1		
14	H103264	PRESSED FLANGED HOUSING	2		
15	JD8665	BALL BEARING	1		
16	H96645	CAP	1		
17	19M7866	SCREW	5		M8 X 20
	14M7298	FLANGE NUT	5		M8
18	J18468	SPRING	2	640101-	
19	AH132230	DOOR	1	640101-	(INCLUDES Z24604)
20	19M7868	SCREW	1	660101-	M8 X 30
21	14M7298	FLANGE NUT	2	660101-	M8

7G19

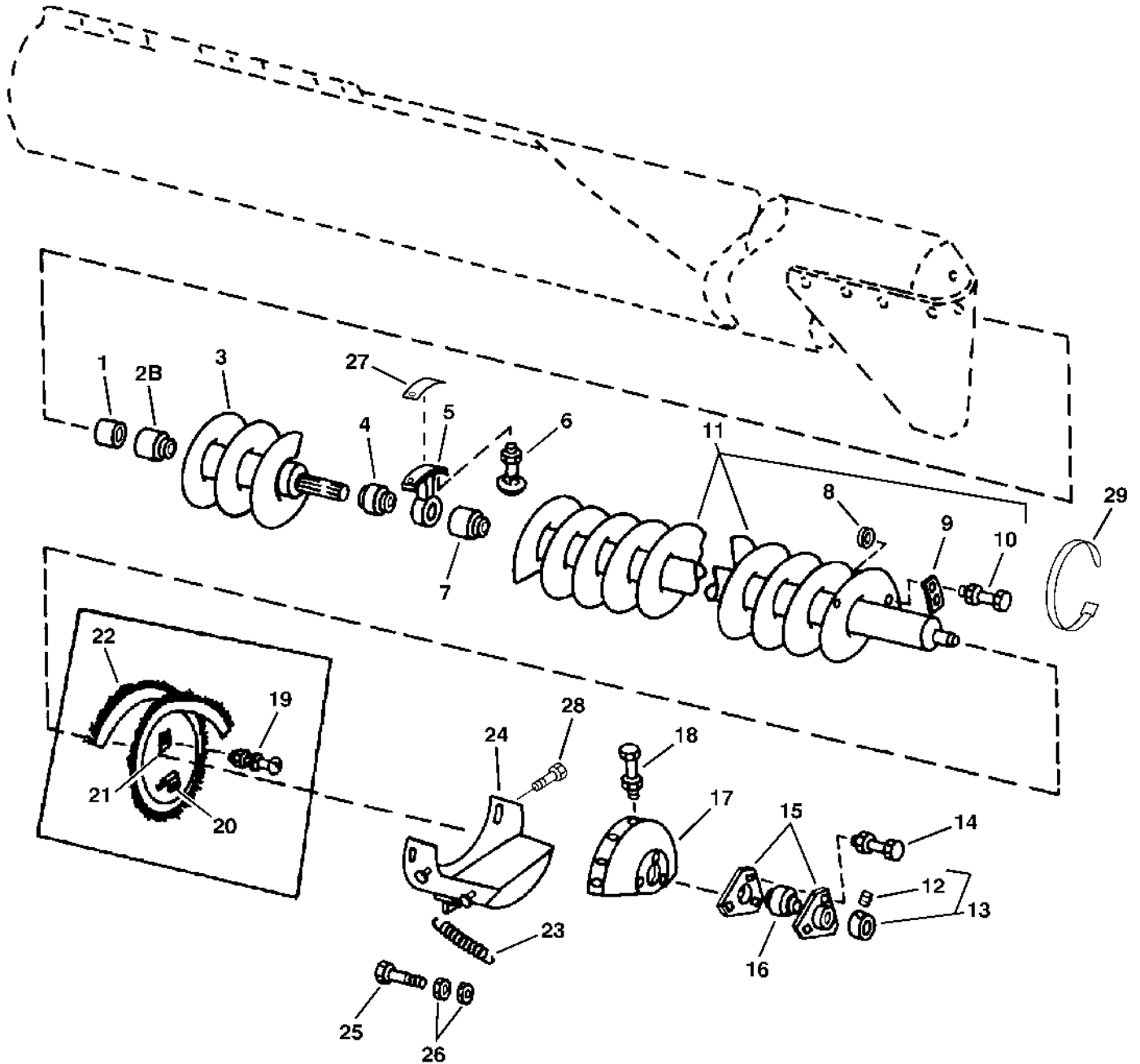
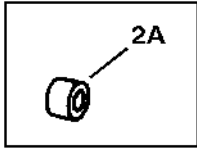
CLEAN GRAIN ELEVATOR, GRAIN TANK AND UNLOADING AUGER

HORIZONTAL UNLOADING AUGER

(17-FT.)

HP6715

-UN-14MAY97



HP6715

7G20

CLEAN GRAIN ELEVATOR, GRAIN TANK AND UNLOADING AUGER

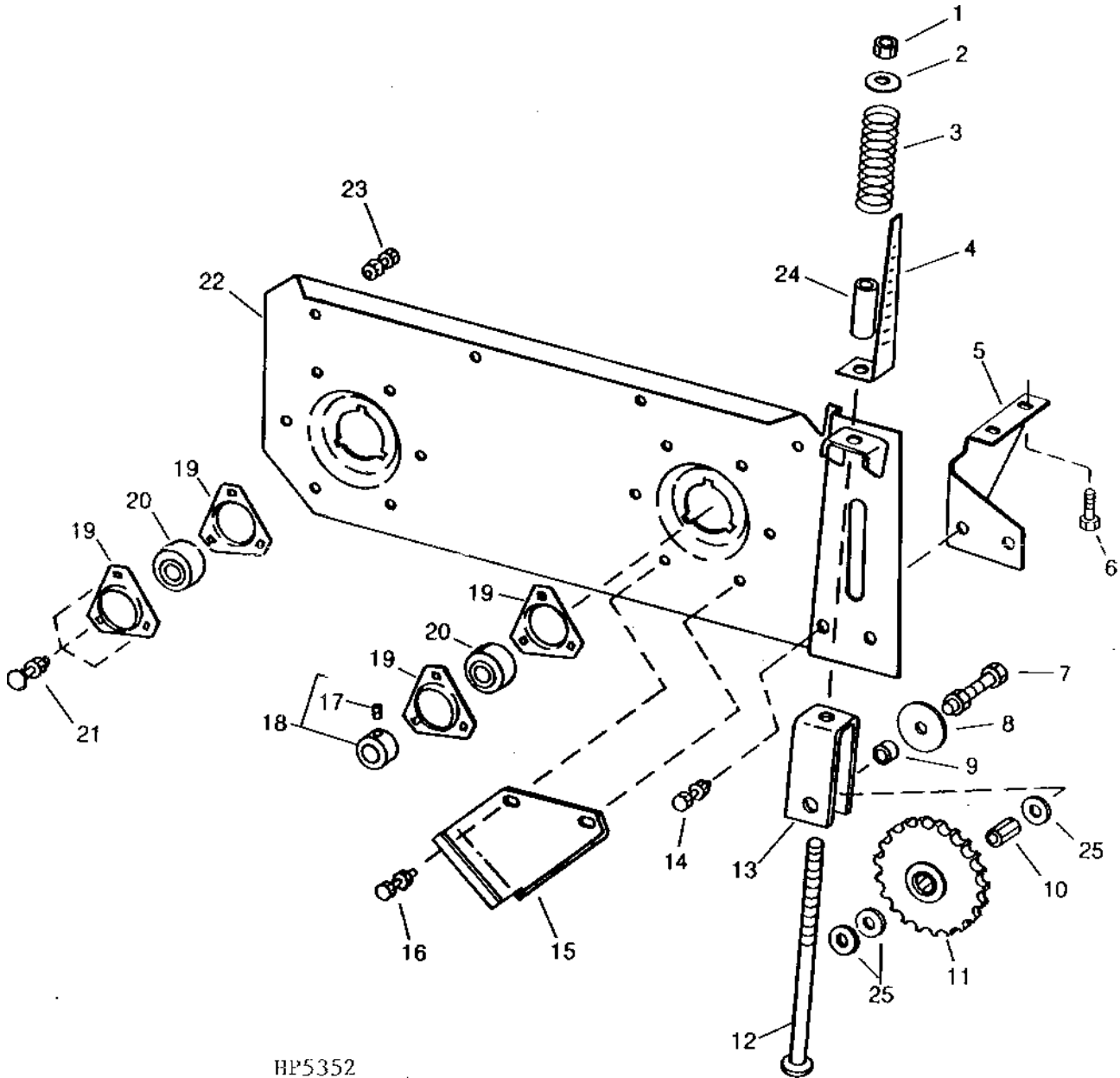
**HORIZONTAL UNLOADING AUGER - CONTINUED
(17-FT.)**

KEY	PART NO.	PART NAME	QTY	SERIAL NO.	REMARKS
1	N72989	BUSHING	1		
2	H116292	SPLINED COUPLING	1		
2B	AH122717	GUDGEON	1	670213-	USED ON 5.2M AND 6.1 AUGER
3	AH112435	AUGER	1	-670212	(5-1/2 FT.)
	AH151413	AUGER	1	670213-	5.2M, OUTER
4	JD9373	BALL BEARING	1		
5	H114873	HOUSING	1		
6	03M7192	BOLT	2	-670212	M10 X 30
	14M7296	FLANGE NUT	2		M10
	03M7193	BOLT	2	670213-	M10 X 35, USED ON 5.2M AND 6.1M
7	AH122717	GUDGEON	1		
8	24H1300	WASHER	AR		25/64" X 2" X 0.220"
	24H1311	WASHER	AR		13/32" X 1-1/4" X 0.220"
9	H119566	STRIP	AR		100 MM (4") LONG
	H119567	STRIP	AR		125 MM (5") LONG
	H119568	STRIP	AR		150 MM (6") LONG
10	03H1495	BOLT	AR		3/8" X 1-1/2"
	03H1557	BOLT	AR		3/8" X 1-1/4"
	H99923	LOCK NUT	AR	-670212	
	K40003	LOCK NUT	AR	670213-	
11	AH123437	AUGER	1	-640300	(SUB AH132033)
	AH132033	AUGER	1	640301-641443	
	AH140332	AUGER	1	641444-650350	(SUB AH143727) (11 FT.) PLUS 5 1/2 FT. EQUALS 17 FT.
	AH143727	AUGER	1		
	AH151403	AUGER	1	670213-	5.2M AND 6.1M
12	22H897	SET SCREW	1		1/4" X 1/4"
13	JD8554	ECCENTRIC LOCKING COLLAR	1		
14	03M7184	BOLT	3		M8 X 20
	14M7298	FLANGE NUT	3		M8
15	H103264	PRESSED FLANGED HOUSING	2		
16	JD8665	BALL BEARING	1		
17	H96645	CAP	1		
18	19M7866	SCREW	5		M8 X 20
	14M7298	FLANGE NUT	5		M8
19	21H1029	SCREW	3	-640300	5/16" X 3/4", (SUB 21H1304)
	12H303	LOCK WASHER	3	-640300	5/16"
	14H785	NUT	3	-640300	5/16"
20	H114709	CLIP	6	-640300	
21	H113717	CLIP	3	-640300	
22	AH111354	SEAL	1	-640300	
23	J18468	SPRING	2	640301-	
24	AH132230	DOOR	1	640301-	(INCLUDES Z24604)
25	19M7868	SCREW	1	660301-	M8 X 30
26	14M7298	FLANGE NUT	2	660301-	M8
27	H158817	PLATE	1	670213-	
28	03M7183	BOLT	2	670213-	M8 X 16
	14M7298	FLANGE NUT	2	670213-	M8
29	N189220	TIE BAND	1	670213-	

7G21

CLEAN GRAIN ELEVATOR, GRAIN TANK AND UNLOADING AUGER

CROSS AUGER BEARING PLATE - LEFT-HAND
HP5352 -UN-01JAN94



HP5352

7G22

CLEAN GRAIN ELEVATOR, GRAIN TANK AND UNLOADING AUGER

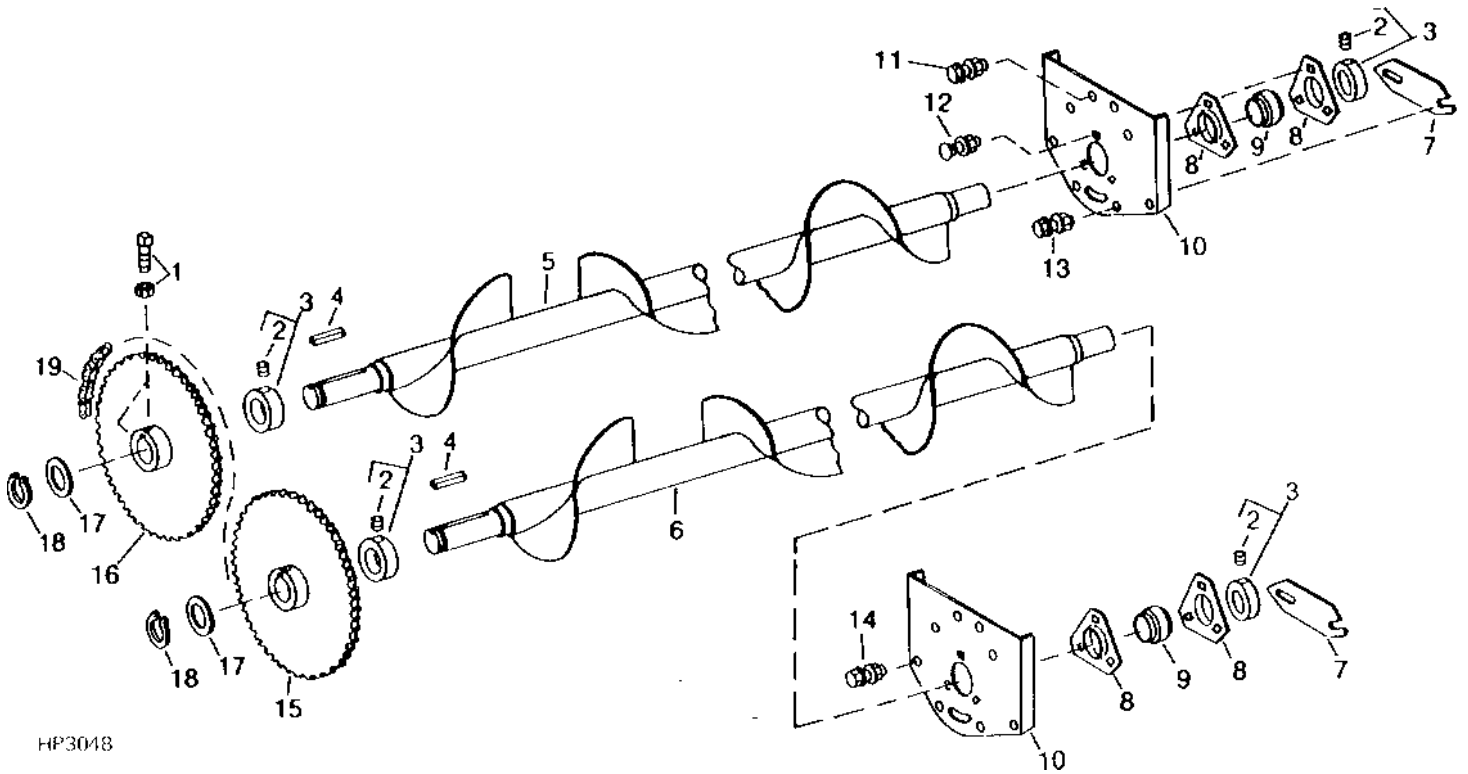
CROSS AUGER BEARING PLATE, LEFT-HAND - CONTINUED

KEY	PART NO.	PART NAME	QTY	SERIAL NO.	REMARKS
1	14M7275	NUT	2	M12	
2	24H1346	WASHER	1	17/32" X 1-3/4" X 0.120"	
3	R35542	SPRING	1		
4	H127923	GAUGE	1		
5	H127922	REINFORCEMENT	1		
6	19M7784	SCREW	2	M10 X 20	
7	19M7364	CAP SCREW	1	M12 X 80	
	14M7299	FLANGE NUT	1	M12	
8	24H1916	WASHER	1	17/32" X 3-1/2" X 0.180" 0.531" X 76.2" X 0.118", (SUB FOR H80228)	
9	A22724	WASHER	1	0.510" X 3/4" X 0.210"	
10	H114395	SPACER	1		
11	AH106606	CHAIN SPROCKET	1		(INCLUDES JD7126) 24-TOOTH
	JD7126	BALL BEARING	1		
12	H119997	BOLT	1		(SUB H163787)
	H163787	BOLT	1		
13	H119996	CHANNEL	1		IDLER SUPPORT
14	19M7866	SCREW	2	M8 X 20	
	14M7298	FLANGE NUT	2	M8	
15	H133579	STOP	1		
16	19M7866	SCREW	4	M8 X 20	
	14M7396	LOCK NUT	4	M8	
17	22M7081	SET SCREW	2	M10 X 10	
18	AH133191	ECCENTRIC LOCKING COLLAR	2		
19	H161529	PRESSED FLANGED HOUSING	4		(SUB FOR H103265, THIS APPLICATION)
20	JD39104	BALL BEARING	2		
21	03M7191	BOLT	6	M10 X 25	
	14M7296	FLANGE NUT	6	M10	
22	AH141201	SUPPORT	1		(SUB FOR AH125068 OR AH140003)
23	19M7784	SCREW	12	M10 X 20	
	14M7296	FLANGE NUT	12	M10	
24	H116161	HOSE	1		(SUB TY22326)
	TY22326	BULK HOSE	1		CUT TO LENGTH
25	24M7242	WASHER	3	21.400 X 42 X 5 MM	

7G23

CLEAN GRAIN ELEVATOR, GRAIN TANK AND UNLOADING AUGER

GRAIN TANK CROSS AUGERS
HP3048 -UN-01JAN94



HP3048

7G24

CLEAN GRAIN ELEVATOR, GRAIN TANK AND UNLOADING AUGER

GRAIN TANK CROSS AUGERS - CONTINUED

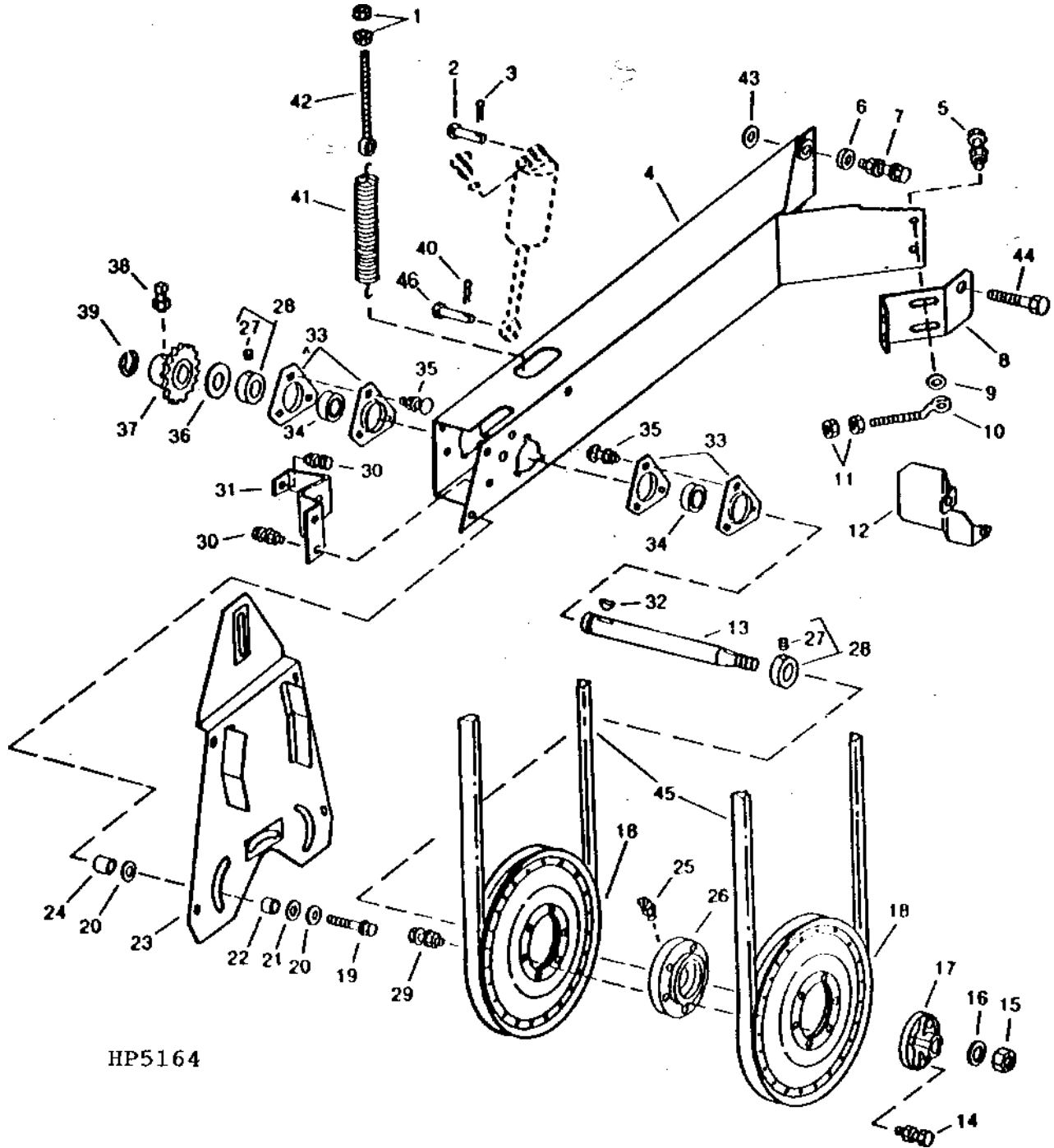
KEY	PART NO.	PART NAME	QTY	SERIAL NO.	REMARKS
1	H138435	SET SCREW	4		
	14M7152	NUT	4	M10	
2	22M7081	SET SCREW	4	M10 X 10	
3	AH133191	ECCENTRIC LOCKING COLLAR	4		
4	49M4120	SHAFT KEY	2		
5	AH167847	AUGER	1		(SUB FOR AH154965, AH125645 OR AH138398)
6	AH138399	FLIGHT	1	-29SEP7	FRONT-HEAVY DUTY
	AH167848	AUGER	1		(SUB FOR AH125646)
7	H102909	COVER	2		(SUB FOR AH154966) REAR-HEAVY DUTY
8	H103265	PRESSED FLANGED HOUSING	4	-670261	
	H161529	PRESSED FLANGED HOUSING	4	670262-	
9	JD39104	BALL BEARING	2		
10	H126280	REINFORCEMENT	2		BEARING PLATE - R.H.
11	19M7784	SCREW	8		M10 X 20
	14M7296	FLANGE NUT	8		M10
12	03M7190	BOLT	3		M10 X 20
	14M7296	FLANGE NUT	3		M10
13	19M7866	SCREW	4		M8 X 20
	14M7396	LOCK NUT	4		M8
14	19M7866	SCREW	4		M8 X 20
	14M7298	FLANGE NUT	4		M8
15	AH125070	CHAIN SPROCKET	1		49-TOOTH (REAR), REGULAR
	AH140001	CHAIN SPROCKET	1		60-TOOTH (REAR), SLOW DOWN
16	AH126705	CHAIN SPROCKET	1	-636051	(SUB AH125070) 52-TOOTH (FRONT)
	AH125070	CHAIN SPROCKET	1		49-TOOTH (FRONT)
	AH140001	CHAIN SPROCKET	1		60-TOOTH (REAR), SLOW DOWN
17	24H1511	WASHER	AR		1-13/32" X 1-3/4" X 0.060"
18	40M7046	SNAP RING	1		
19	AH126836	LINK CHAIN	1		ROLLER, TYPE 60 - 19 MM (3/4") PITCH, 198
	AH146359	LINK CHAIN	1		LINKS (FOR USE WITH 6359 ENGINE) (REGULAR SPEED)
					(SUB FOR AH140004) ROLLER, TYPE 60H - 19 MM (3/4") PITCH 204 LINKS (SLOW DOWN SPEED)

7H1

CLEAN GRAIN ELEVATOR, GRAIN TANK AND UNLOADING AUGER

UNLOADING AUGER COUNTERSHAFT DRIVE

HP5164 -UN-01JAN94



HP5164

7H2

CLEAN GRAIN ELEVATOR, GRAIN TANK AND UNLOADING AUGER

UNLOADING AUGER COUNTERSHAFT DRIVE - CONTINUED

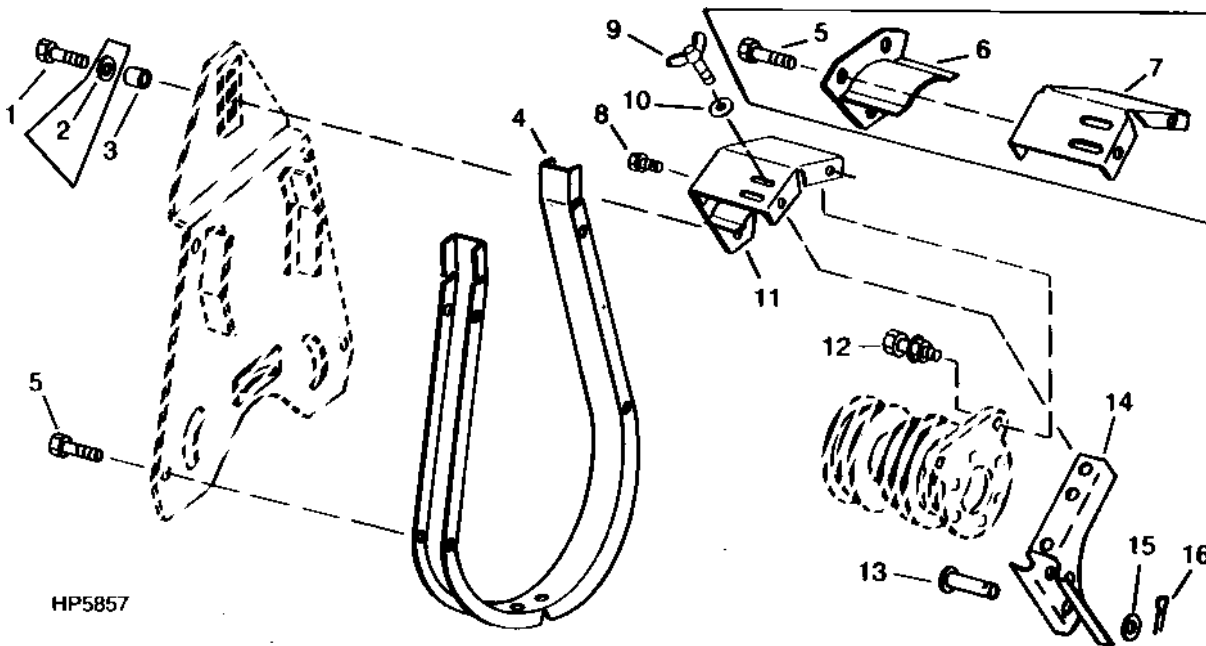
KEY	PART NO.	PART NAME	QTY	SERIAL NO.	REMARKS
1	14M7296	FLANGE NUT	2		
2	H98765	PIN	2	-645569	
	H98765	PIN	1	645570-	
3	11M7059	COTTER PIN	1		3.200 X 20 MM
4	AH134549	ARM	1		(SUB AH144068)
	AH144068	ARM	1		
5	19M7835	SCREW	2		M10 X 35
	14M7296	FLANGE NUT	2		M10
6	Z33404	SPACER	2		
7	19M7794	SCREW	1		
	14M7291	FLANGE NUT	2	-640505	M16
	A31869	LOCK NUT	2	640506-	
8	AH118993	BRACKET	1		
9	24M7178	WASHER	2		10.500 X 30 X 2.500 MM
10	H116262	EYEBOLT	2		
11	14M7274	NUT	4		M10
12	H136570	SHIELD	1	-631400	
	H137869	SHIELD	1	631401-	
13	H133024	COUNTERSHAFT	1		
14	19M7185	CAP SCREW	1		M8 X 60, (SHEAR BOLT)
	E64256	LOCK NUT	1		M8
15	A31871	LOCK NUT	1		M24
16	24M7091	WASHER	1		26 X 44 X 4 MM
17	H133026	HUB	1		
18	AH106096	PULLEY	2		
19	19M8318	SCREW	3		M8 X 45
20	24M7207	WASHER	6		8.400 X 24 X 2 MM
21	24H1357	WASHER	2		19/32" X 1-5/32" X 0.090", (AT LONG SLOTS ONLY)
22	28H1511	WASHER	3		0.364" X 0.540" X 1/4"
23	AH128861	GUARD	2	-640816	(SUB AH140901)
	AH140901	GUARD	2		
24	28H2531	BUSHING	3		
25	JD7797	LUBRICATION FITTING	1		
26	H133025	HUB	1		
27	22M7081	SET SCREW	2		M10 X 10
28	AH133191	ECCENTRIC LOCKING COLLAR	2		
29	19M8317	SCREW	6		M8 X 40
	14M7298	FLANGE NUT	6		M8
30	19M7866	SCREW	3		M8 X 20
	14M7298	FLANGE NUT	3		M8
31	H133690	BRACKET	1		
32	26M6787	SHAFT KEY	2		10 X 32 MM, (WOODRUFF)
33	H103265	PRESSED FLANGED HOUSING	4		
34	JD39104	BALL BEARING	2		
35	03M7190	BOLT	6		M10 X 20
	14M7296	FLANGE NUT	6		M10
36	24H1510	WASHER	2		1-13/32" X 1-3/4" X 0.120"
37	AH128074	CHAIN SPROCKET	1	-640100	
	AH128075	CHAIN SPROCKET	1	640101-	19 TOOTH
	AH128074	CHAIN SPROCKET	1	660201-	(RICE ONLY) 17 TOOTH
38	H138435	SET SCREW	2		
	14M7274	NUT	2		M10
39	P44478	SNAP RING	1		
40	J16931	SPRING LOCKING PIN	1		
41	H173011	LEAF SPRING	1		(SUB FOR H137814 OR H146310)
42	H114738	EYEBOLT	1		
43	24H1684	WASHER	2		11/16" X 2" X 0.105"
44	19M7824	SCREW	1		M16 X 60
45	AH158880	BELT SET	1		(SUB FOR AH127866)
46	H148340	PIN	1	645570-	

7H3

CLEAN GRAIN ELEVATOR, GRAIN TANK AND UNLOADING AUGER

UNLOADING AUGER DRIVE BELT GUIDE

HP5857 -UN-14OCT94

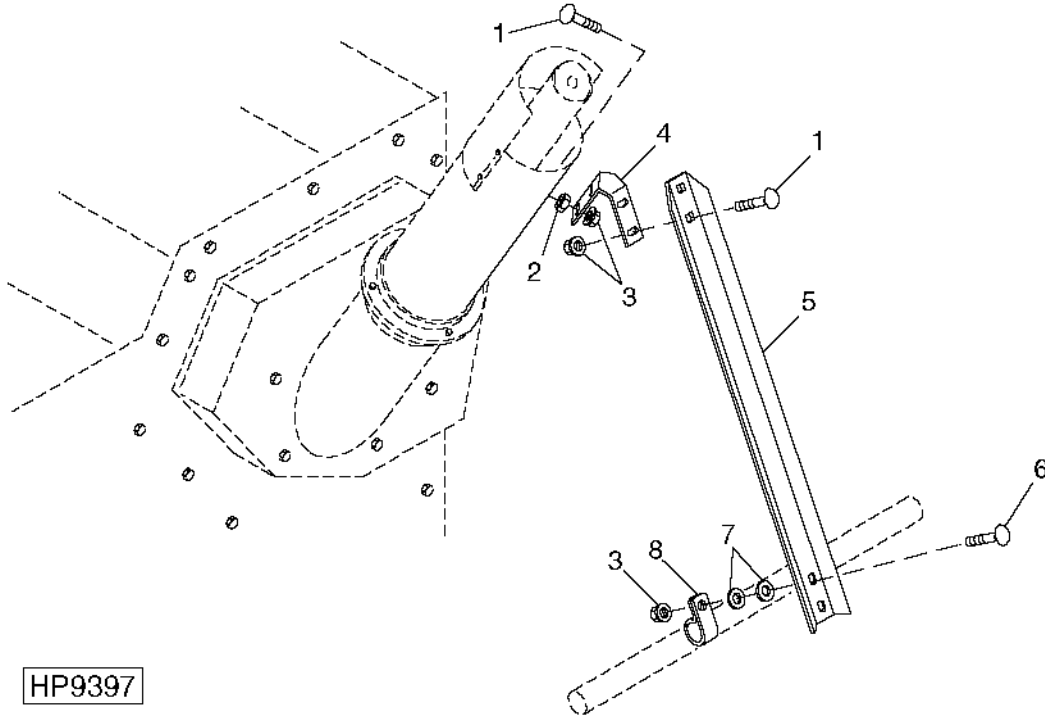


KEY	PART NO.	PART NAME	QTY	SERIAL NO.	REMARKS
1	19M7866	SCREW	1	-670203	M8 X 20
	19M7867	SCREW	1	670204-	M8 X 25
2	24M7207	WASHER	1	-655334	8.400 X 24 X 2 MM
3	28H1511	WASHER	1		0.364" X 0.540" X 1/4"
4	AH116390	GUIDE	1		
5	19M7865	SCREW	6		M8 X 16, (INTO WELDNUTS)
6	AH125556	GUIDE	1	-650100	(SUB AH152654)
7	AH128860	SUPPORT	1	-650100	(SUB AH152654)
8	37M7058	SCREW	2	650101-	M8 X 20
9	21M7269	WING SCREW	2		M8 X 20
10	24M7207	WASHER	2		8.400 X 24 X 2 MM
11	AH152654	SUPPORT	1		(SUB FOR AH142295)
12	19M7785	SCREW	2		M10 X 25
	14M7296	FLANGE NUT	2		M10
13	45M7042	PIN	2		12 X 50 MM
14	AH127604	GUIDE	1		FOR STRAW CHOPPER DRIVE BELT
15	24M7047	WASHER	2		13 X 24 X 2.500 MM
16	11M7015	COTTER PIN	2		3.200 X 25 MM

7H4

CLEAN GRAIN ELEVATOR, GRAIN TANK AND UNLOADING AUGER

GRAIN TANK SAMPLING TROUGH
HP9397 -UN-06DEC99



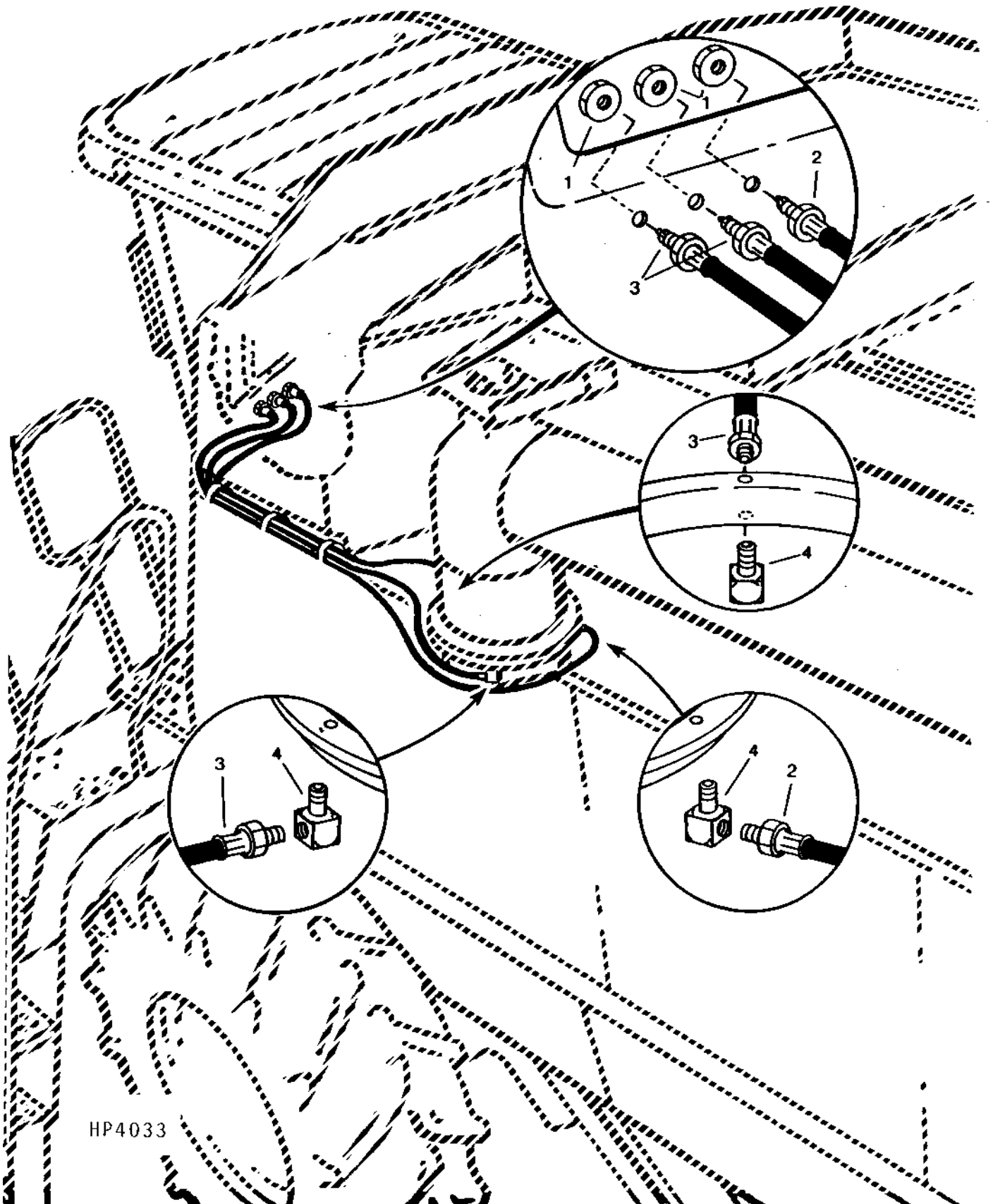
KEY	PART NO.	PART NAME	QTY	SERIAL NO.	REMARKS
1	03M7184	BOLT	4	M8 X 20	
2	M84309	NUT	2		
3	14M7396	LOCK NUT	4	M8	
4	H136306	BRACKET	1		
5	H136304	TROUGH	1		
6	03M7188	BOLT	1	M8 X 40	
7	H28031	WASHER	2		
8	AH77714	CLIP	1		

7H5

CLEAN GRAIN ELEVATOR, GRAIN TANK AND UNLOADING AUGER

UNLOADING AUGER LOWER LUBE HOSE FITTINGS

HP4033 -UN-01JAN94



HP4033

7H6

CLEAN GRAIN ELEVATOR, GRAIN TANK AND UNLOADING AUGER

UNLOADING AUGER LOWER LUBE HOSE FITTINGS

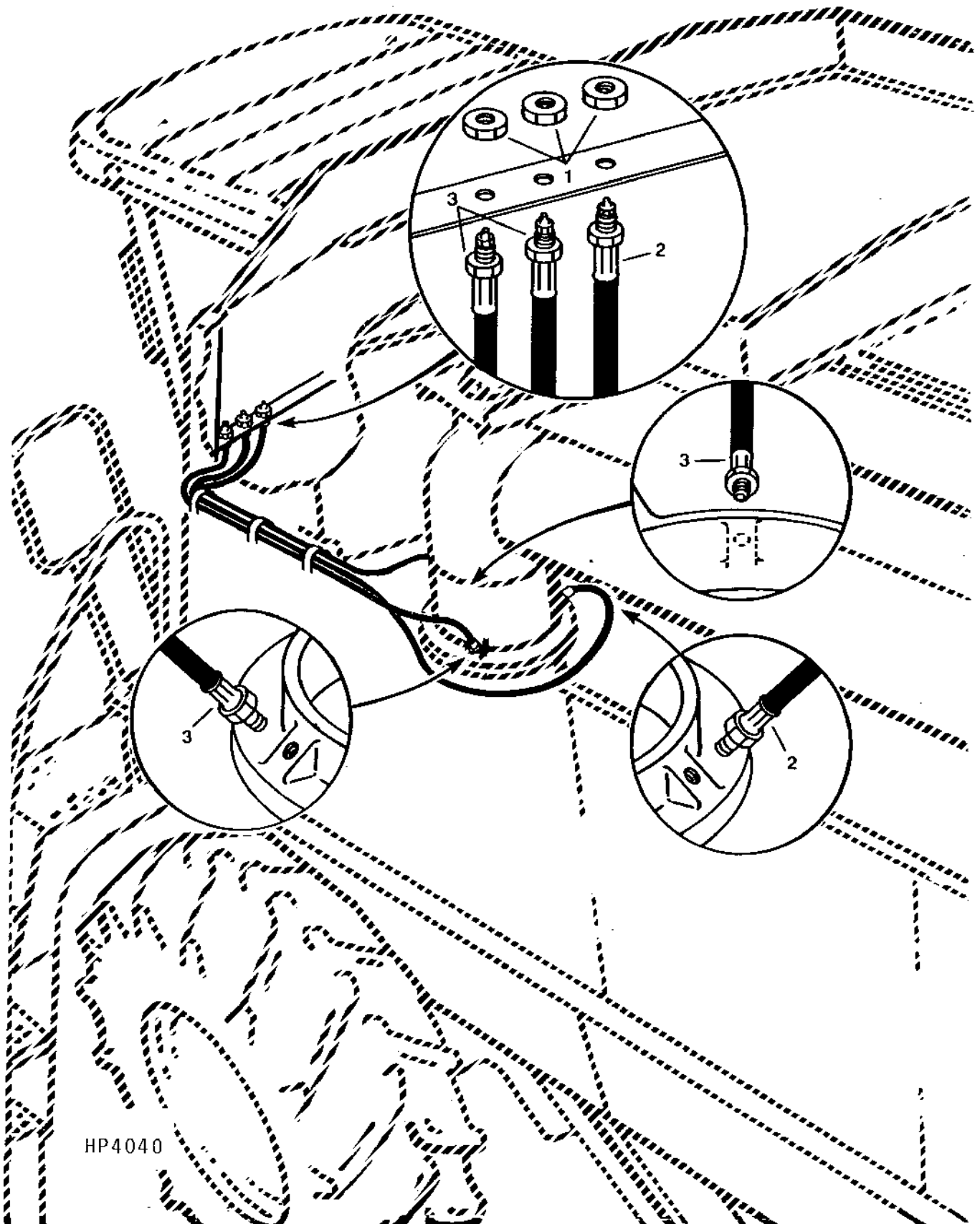
KEY	PART NO.	PART NAME	QTY	SERIAL NO.	REMARKS
1	E12379	NUT	1		3.175 MM (1/8")
2	AH136554	HOSE	1		1/8" X 2 050 MM (80-3/4") X 1/8"
3	AH136553	HOSE	2		1/8" X 1 600 MM (63") X 1/8"
4	JD7845	ELBOW FITTING	1	-640100	

7H7

CLEAN GRAIN ELEVATOR, GRAIN TANK AND UNLOADING AUGER

UNLOADING AUGER UPPER LUBE HOSE FITTINGS

HP4040 -UN-01JAN94



HP4040

7H8

CLEAN GRAIN ELEVATOR, GRAIN TANK AND UNLOADING AUGER

UNLOADING AUGER UPPER LUBE BANK - CONTINUED

KEY	PART NO.	PART NAME	QTY	SERIAL NO.	REMARKS
1	E12379	NUT	1		3.175 MM (1/8")
2	AH136554	HOSE	1		1/8" X 2 050 MM (80-3/4") X 1/8"
3	AH136553	HOSE	2		1/8" X 1 600 MM (63") X 1/8"

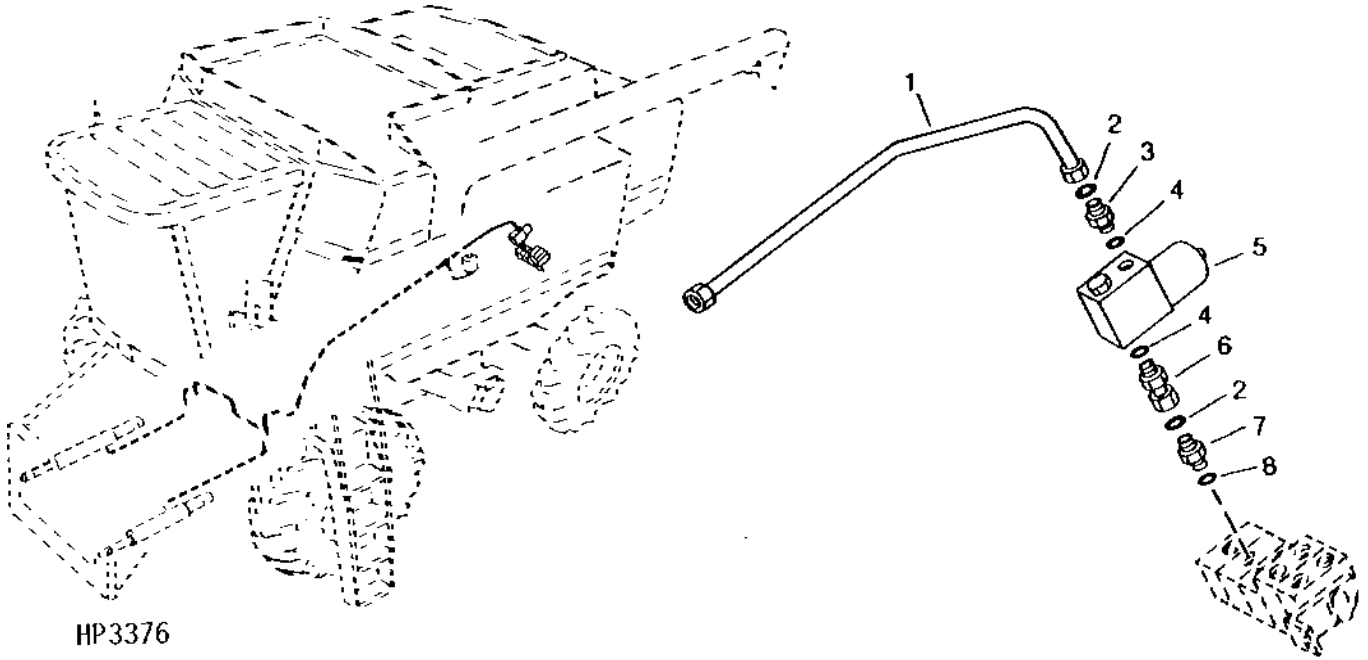
MEMORANDA

7H10

DIAL-A-MATIC HEADER HEIGHT CONTROL

**HYDRAULIC LINE AND VALVE BLOCK
(DIAL-A-MATIC HEADER HEIGHT CONTROL)**

HP3376 -UN-01JAN94



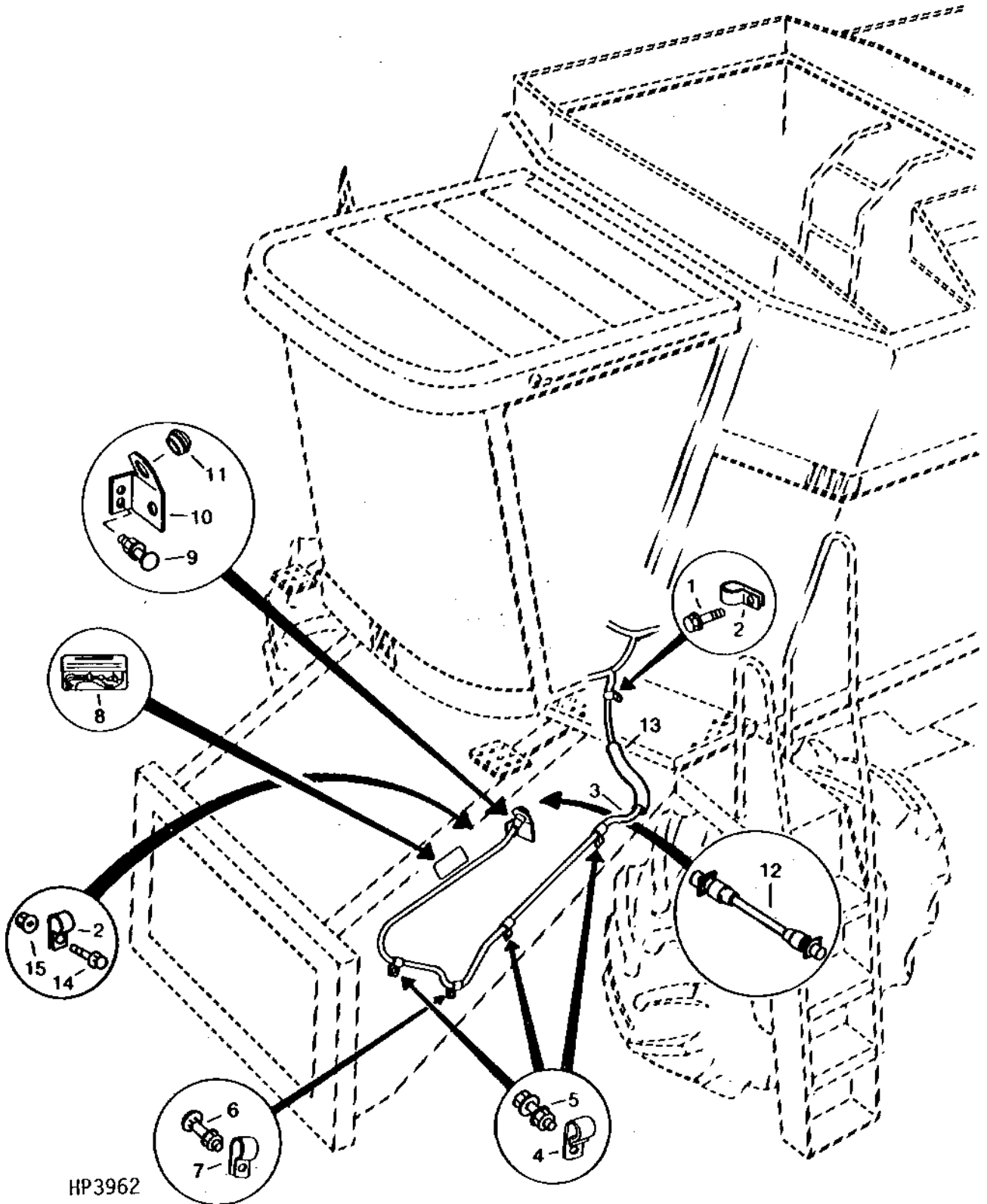
HP3376

KEY	PART NO.	PART NAME	QTY	SERIAL NO.	REMARKS
1	AH128727	HYDRAULIC LINE	1		
2	T77857	O-RING	2	12.421 X 1.778 MM (0.489" X 0.070")	
3	38H1161	ADAPTER	1		
4	R26375	O-RING	2	16.358 X 2.210 MM (0.644" X 0.087")	
5	AH125910	SOLENOID VALVE	1		
6	38H1068	ADAPTER	1		
7	38H1173	ADAPTER	1		
8	R26448	O-RING	1	11.887 X 1.981 MM (0.468" X 5/64")	
..	BH78374	COMPLETE GOODS/SHIP. BUNDLE	1	HYDRAULIC LINE AND VALVE BLOCK	

7H11

DIAL-A-MATIC HEADER HEIGHT CONTROL

ELECTRICAL HARNESS
(DIAL-A-MATIC HEADER HEIGHT CONTROL)
HP3962 -UN-01JAN94



HP3962

7H12

DIAL-A-MATIC HEADER HEIGHT CONTROL

ELECTRICAL HARNESS - CONTINUED
(DIAL-A-MATIC HEADER HEIGHT CONTROL)

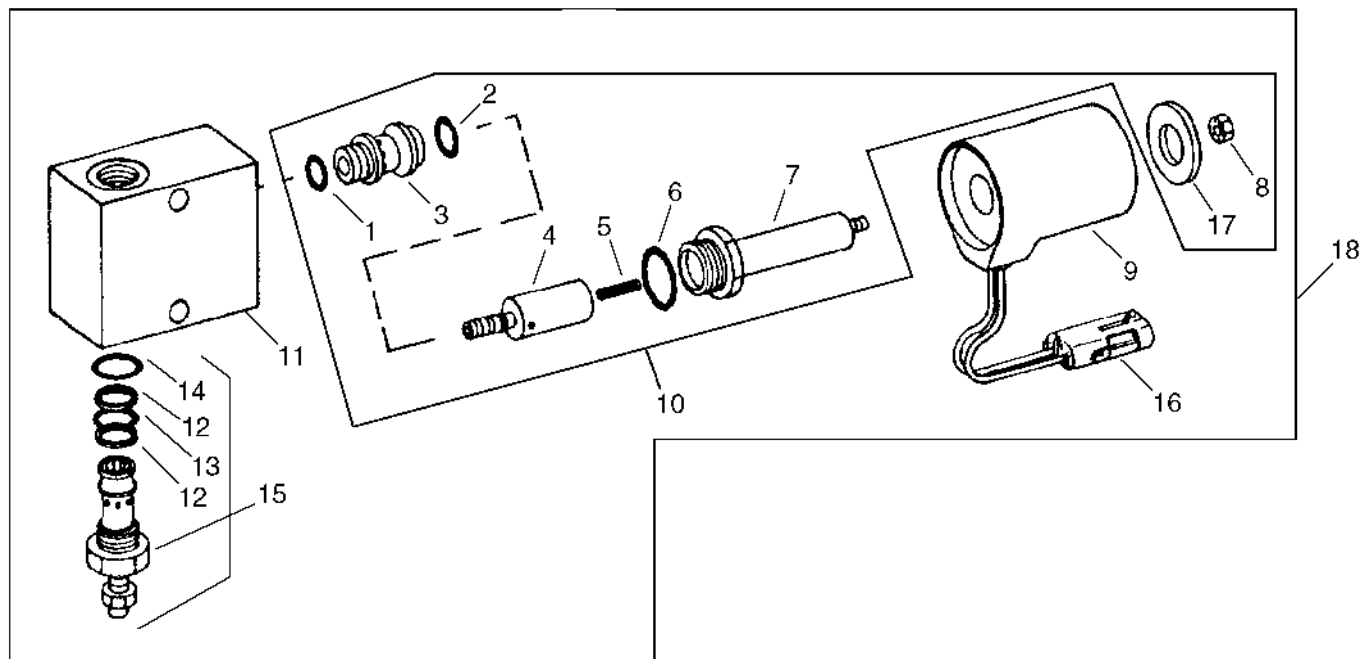
KEY	PART NO.	PART NAME	QTY	SERIAL NO.	REMARKS
1	37M7083	SCREW	1		M8 X 12
2	AH89557	CLIP	2		
3	AH128406	SOCKET CONTACT	1	-635167	(SUB AH134224) LH MAIN
	AH134224	WIRING HARNESS	1		
4	AH89557	CLIP	3	-640604	
5	03M7189	BOLT	3		M8 X 45
	14M7298	FLANGE NUT	3		M8
6	AH89557	CLIP	1		
7	03M7183	BOLT	1		M8 X 16
	14M7298	FLANGE NUT	1		M8
8	H137939	LABEL	1		(IMPORTANT)
9	03M7183	BOLT	1		M8 X 16
	14M7298	FLANGE NUT	1		M8
10	H134417	BRACKET	1		
11	H130520	CAP	1	-645340	(SUB H146306)
	H146306	PLUG	1		
12	AH128924	WIRING HARNESS	1		PIGTAIL TO CONNECT FEEDER HOUSE AND 200, 50,OR 50A SERIES ETC. ALSO REQUIRES AH89557 CLAMP, 19M7866 SCREW AND 14M7298 NUT
13	H132800	HOSE	1		SLEEVE FOR PROTECTION
14	19M7866	SCREW	1		M8 X 20
15	14M7298	FLANGE NUT	1		M8

7H13

DIAL-A-MATIC HEADER HEIGHT CONTROL

DIAL-A-MATIC HEADER HEIGHT CONTROL VALVE

HP8033 -UN-21APR99



HP8033

KEY	PART NO.	PART NAME	QTY	SERIAL NO.	REMARKS
1	R28776	O-RING	1		12.421 X 1.778 MM (0.489" X 0.070")
2	T75984	O-RING	1		20.345 X 1.778 MM (0.801" X 0.070")
3	VALVE SPOOL	1		
4	PLUNGER	1		
5	SPRING	1		
6	R27928	O-RING	1		23.520 X 1.778 MM (0.926" X 0.070")
7	GUIDE	1		
8	14H866	NUT	1	5/8"	
9	AH131572	ELECTRICAL COIL	1		
10	AH131571	VALVE	1		
11	H135964	HOUSING	1		
12	BACK-UP RING	2		
13	U15980	O-RING	1		
14	R26906	O-RING	1		19.177 X 2.464 MM (0.755" X 0.097")
15	AH131570	VALVE	1		
16	R78053	PIN CONTACT CONNECTOR BODY	1		
	R78059	ELECTRICAL PLUG	1		
	R78061	PIN CONTACT	1		
17	24H1368	WASHER	1		21/32" X 1-5/16" X 0.090"
18	AH125910	SOLENOID VALVE	1		
19	SET SCREW	1		(SUB AH156333)
20	KNOB	1		(SUB AH156333)
21	KNOB	1		(SUB AH156333)
22	AH156333	KIT	1		
..	BH81084	COMPLETE GOODS/SHIP. BUNDLE	1		HEIGHT CONTROL

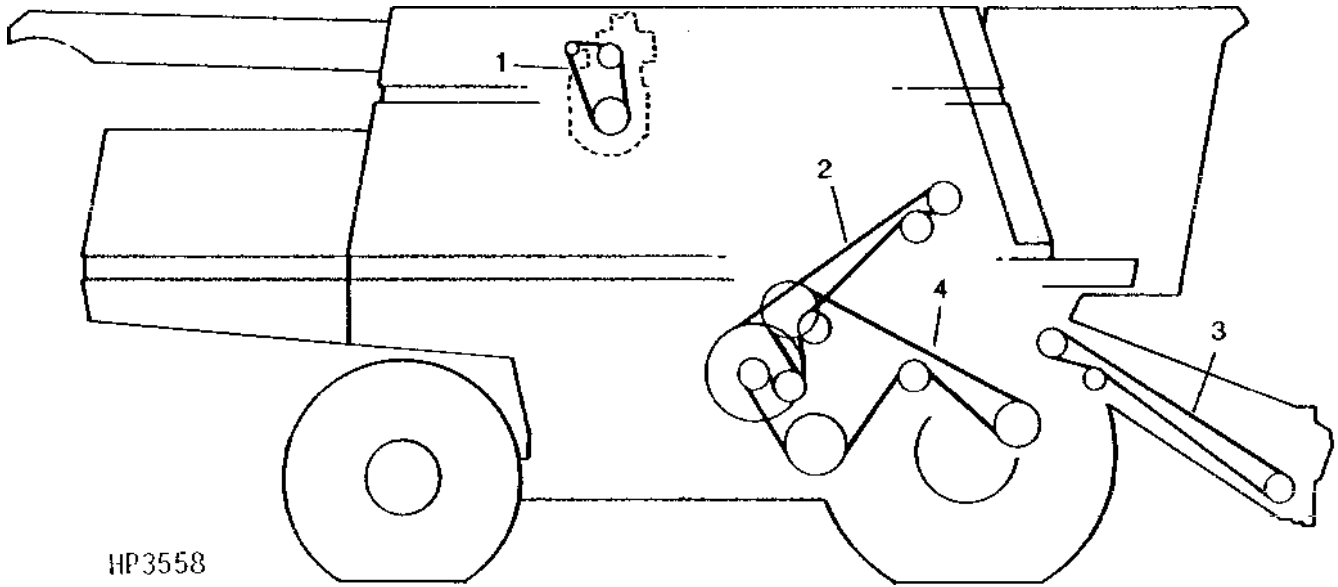
MEMORANDA

7H16

DECALS, BELTS AND CHAINS

ALTERNATOR, SECONDARY COUNTERSHAFT, FEEDER CONVEYOR, SHOE, STRAW WALKER AND CONVEYOR AUGERS

HP3558 -UN-01JAN94



HP3558

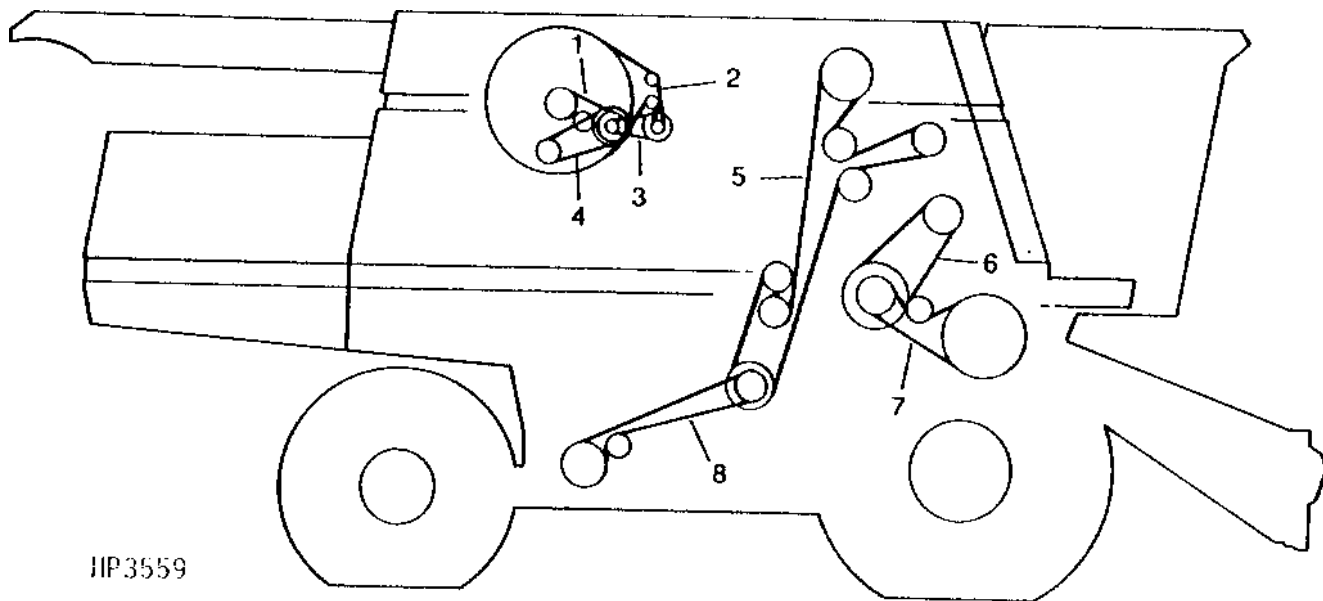
KEY	PART NO.	PART NAME	QTY	SERIAL NO.	REMARKS
1	RE44538 H101813	BELT BELT	1 1	630101-640100 640101-	FOR ALTERNATOR, MATCHED SET OF TWO 12.700 X 1 479.550 MM (1/2" X 58-1/4") SUB FOR H145026
2	H128010	BELT	1		SECONDARY COUNTERSHAFT
3	ROLLER CHAIN	1		(219 LINKS, SMALL SPROKET; 223 LINS, LARGE SPROCKET) FEEDER CONVEYOR CHAIN (ROLLER, TYPE 60, 19MM (3/4"), 223 LINKS, ASSEMBLE FROM (4) AB1288H AND AB1289H)
4	H131169	BELT	1		SHOE, STRAW WALKER AND CONVEYOR AUGERS

7H17

DECALS, BELTS AND CHAINS

COOLING FAN, ROTARY SCREEN, AIR CONDITIONING, CLEAN GRAIN ELEVATOR, CYLINDER INTERMEDIATE DRIVE,
CYLINDER DRIVE AND LOWER TAILINGS AUGER AND ELEVATOR

HP3559 -UN-01JAN94



HP3559

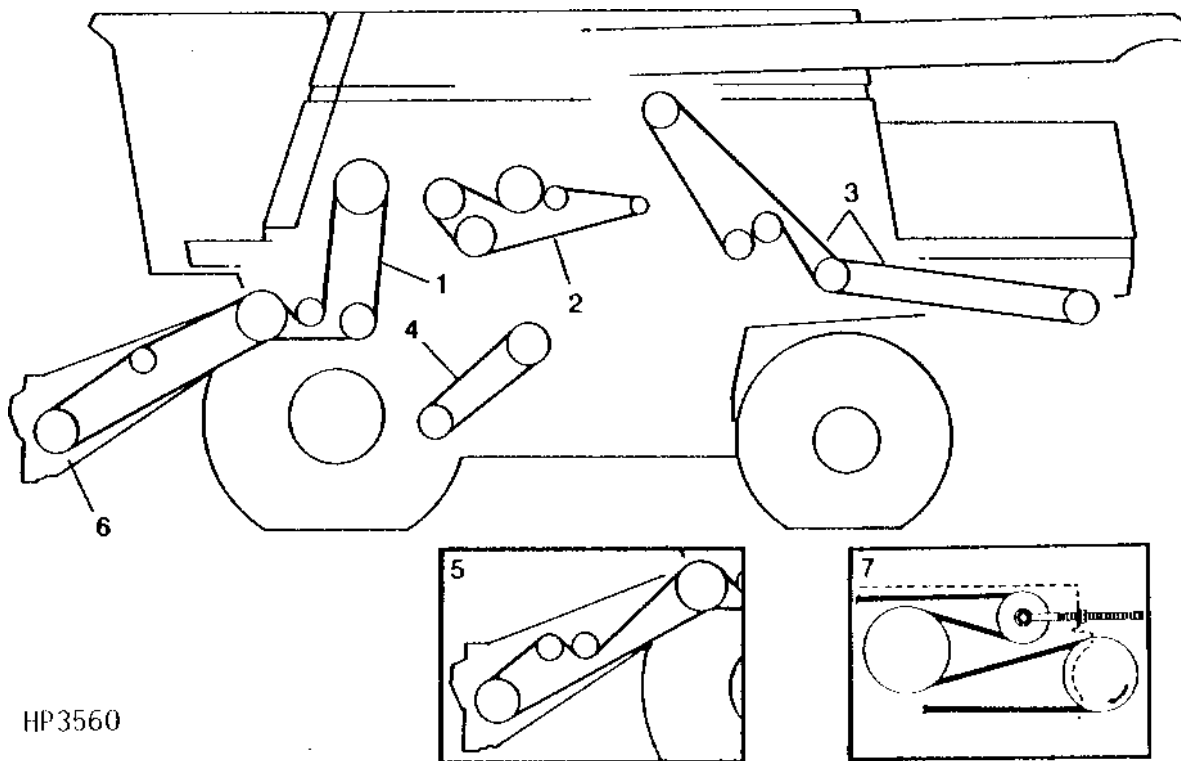
KEY	PART NO.	PART NAME	QTY	SERIAL NO.	REMARKS
1	H132808	BELT	1		COOLING FAN HIGH POWER
	H132809	BELT	1		LOW POWER
2	H133576	BELT	1	-635321	(SUB H143869) ROTARY SCREEN
	H143869	BELT	1	-640505	
3	H145158	BELT	1	640506-	
	H134216	BELT	1	-640505	ROTARY SCREEN DRIVE
4	H146636	BELT	1	640506-	
	H134772	BELT	1	630201-630500	12.700 X 1 440 MM (1/2" X 56.693") AIR CONDITIONING COMPRESSOR
5	H101813	BELT	1	635101-636600	12.700 X 1 479.550 MM (1/2" X 58-1/4")
	H80896	BELT	1	650101-	12.700 X 1 422.500 MM (1/2" X 56.004")
	H137830	BELT	1	-640100	CLEAN GRAIN ELEVATOR
6	H141167	BELT	1	640101-	CLEAN GRAIN ELEVATOR
	H115759	BELT	1		(SUB H162629) CYLINDER INTERMEDIATE DRIVE
	H162629	BELT	1		
7	H137670	BELT	1		FOR EXTENDED RANGE
	H115881	BELT	1		CYLINDER DRIVE REGULAR DUAL-RANGE AND SINGLE RANGE
8	H137671	BELT	1	-640194	FOR EXTENDED RANGE
	H145994	BELT	1	640195-	FOR EXTENDED RANGE
	N110085	BELT	1		LOWER TAILINGS AUGER AND ELEVATOR

7H18

DECALS, BELTS AND CHAINS

HEADER AND REEL PUMP, UNLOADING AUGERS, STRAW CHOPPER, CLEANING FAN, FEEDER HOUSE AND STRAW SPREADER (LEFT-HAND DRIVES)

HP3560 -UN-01JAN94



HP3560

KEY	PART NO.	PART NAME	QTY	SERIAL NO.	REMARKS
1	H125565	BELT	1	-635100	HEADER AND REEL PUMP
	H140160	BELT	1	635101-	
2	AH126836	LINK CHAIN	1		ROLLER, TYPE 60 - 19 MM (3/4") PITCH, 198 LINKS (FOR USE WITH 6359 ENGINE) (REGULAR SPEED)
	AH146359	LINK CHAIN	1		(SUB FOR AH140004) ROLLER, TYPE 60H - 19 MM (3/4") PITCH 204 LINKS (SLOW DOWN SPEED)
3	H125380	BELT	1		FRONT
	E46113	BELT	1	-640100	(SUB FOR L4276N) CHOPPER IN WINDROW OR FORWARD POSITION
	H27433	BELT	1	640101-	CHOPPER IN WINDROW OR FORWARD POSITION
	H101436	BELT	1		CHOPPER IN REAR (OPERATING) POSITION
4	H137264	BELT	1		SLOW SPEED
	H140404	BELT	1	630101-	(SUB FOR H135417) STD. SPEED
5	H126345	BELT	1		FIXED SPEED FEEDER HOUSE WITH REVERSER
6	H125711	BELT	1		VARIABLE SPEED FEEDER HOUSE
7	Z33774	BELT	1		STRAW SPREADER

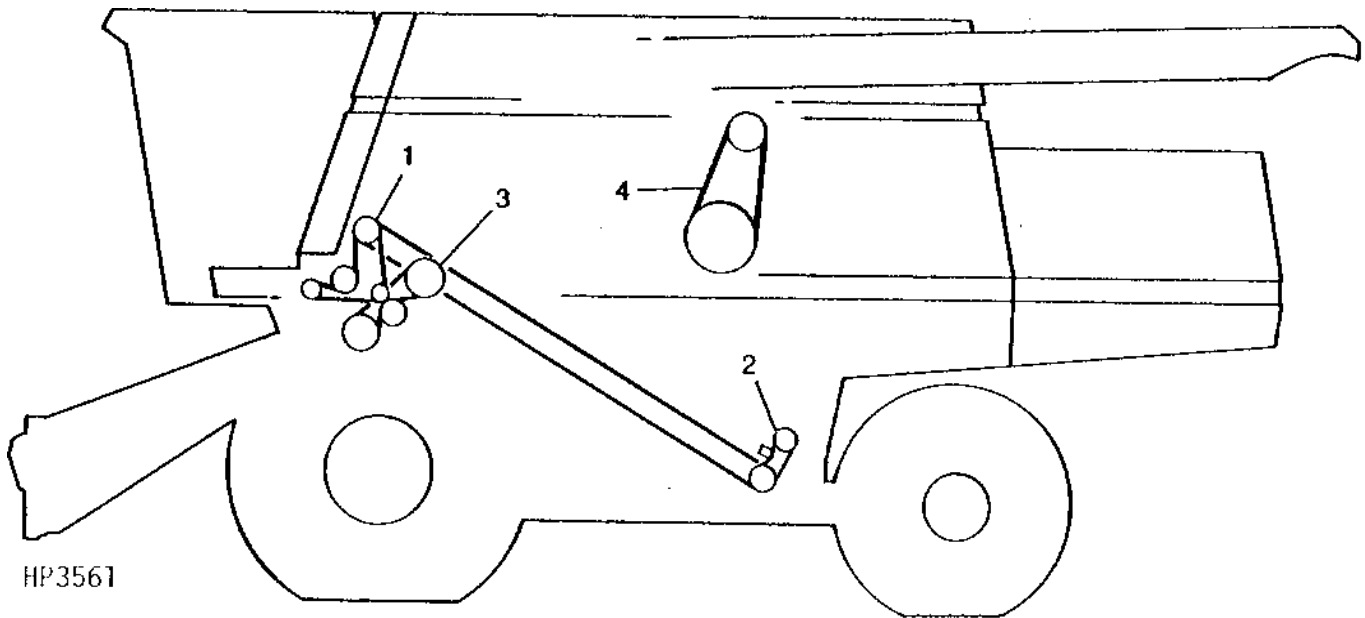
7H19

DECALS, BELTS AND CHAINS

TAILINGS AUGER, BEATER AND UNLOADING SYSTEM BELTS AND CHAINS

LEFT-HAND SIDE

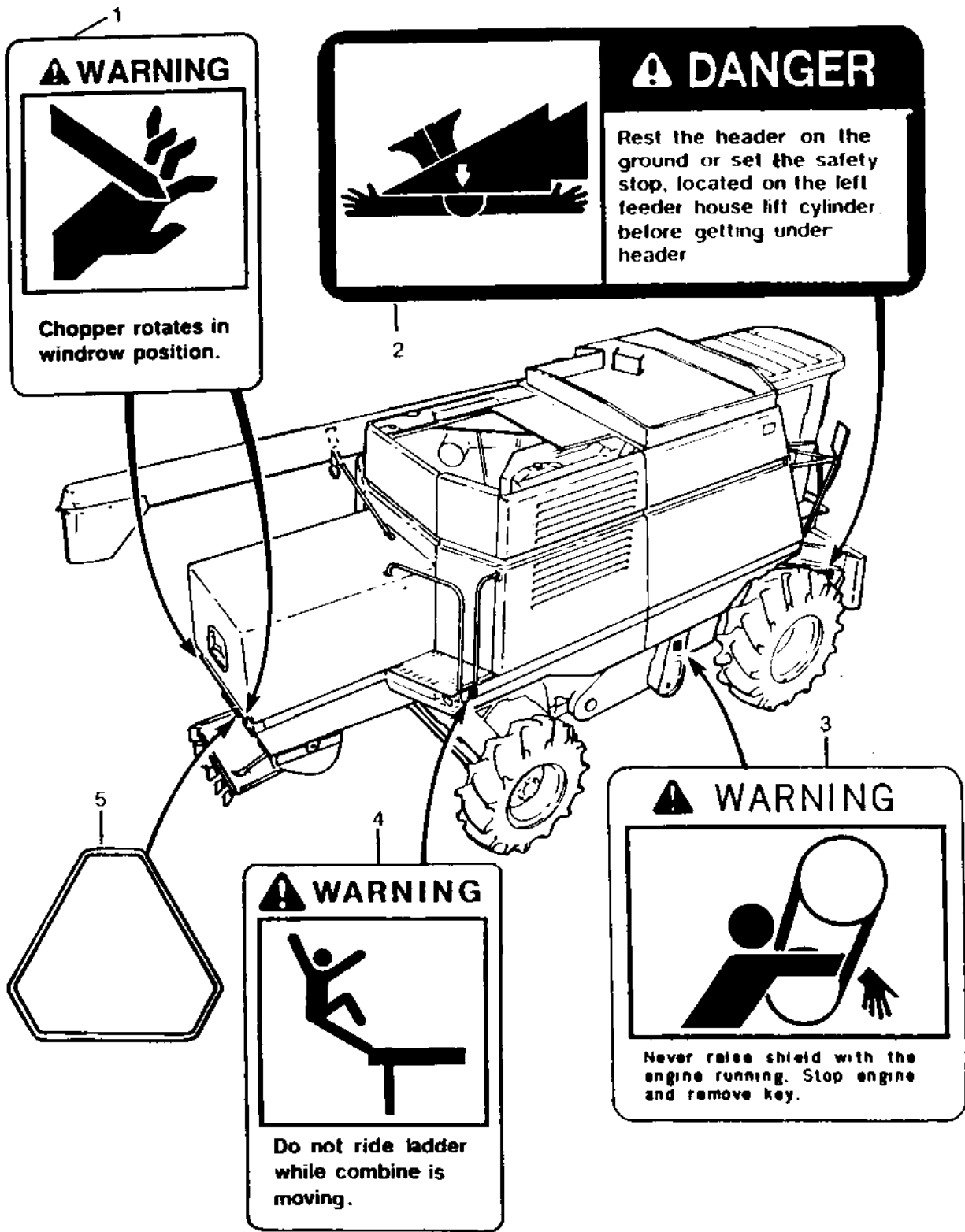
HP3561 -UN-01JAN94



KEY	PART NO.	PART NAME	QTY	SERIAL NO.	REMARKS
1	ROLLER CHAIN	1		UPPER TAILINGS AUGER. ROLLER, TYPE 50, 16MM (5/8") PITCH, 123 LINKS, (ASSEMBLE FROM AH18482 OR AP22459 AND (1) P20351)
2	ROLLER CHAIN	1		LOWER TAILINGS AUGER. ROLLER, TYPE 50, 16MM (5/8") PITCH, 43 LINKS. (ASSEMBLE FROM AN18482 OR AP22459, (1) P20351 AND (1) P20352)
3	AH120918	BELT	1	-640100	(SUB AH139436) FOR 100° BEATER DRIVE
	AH139436	BELT SET	1		FOR 100° BEATER DRIVE
	AH131960	BELT	1		(SUB AH163931) FOR 75° BEATER DRIVE
	AH163931	BELT	1		FOR 75° BEATER DRIVE
4	AH158880	BELT SET	1		(SUB FOR AH127866) UNLOADING SYSTEM

7H20

SAFETY DECALS AND LOCATIONS
HP6159 -19-07SEP95



HP6159

7H21

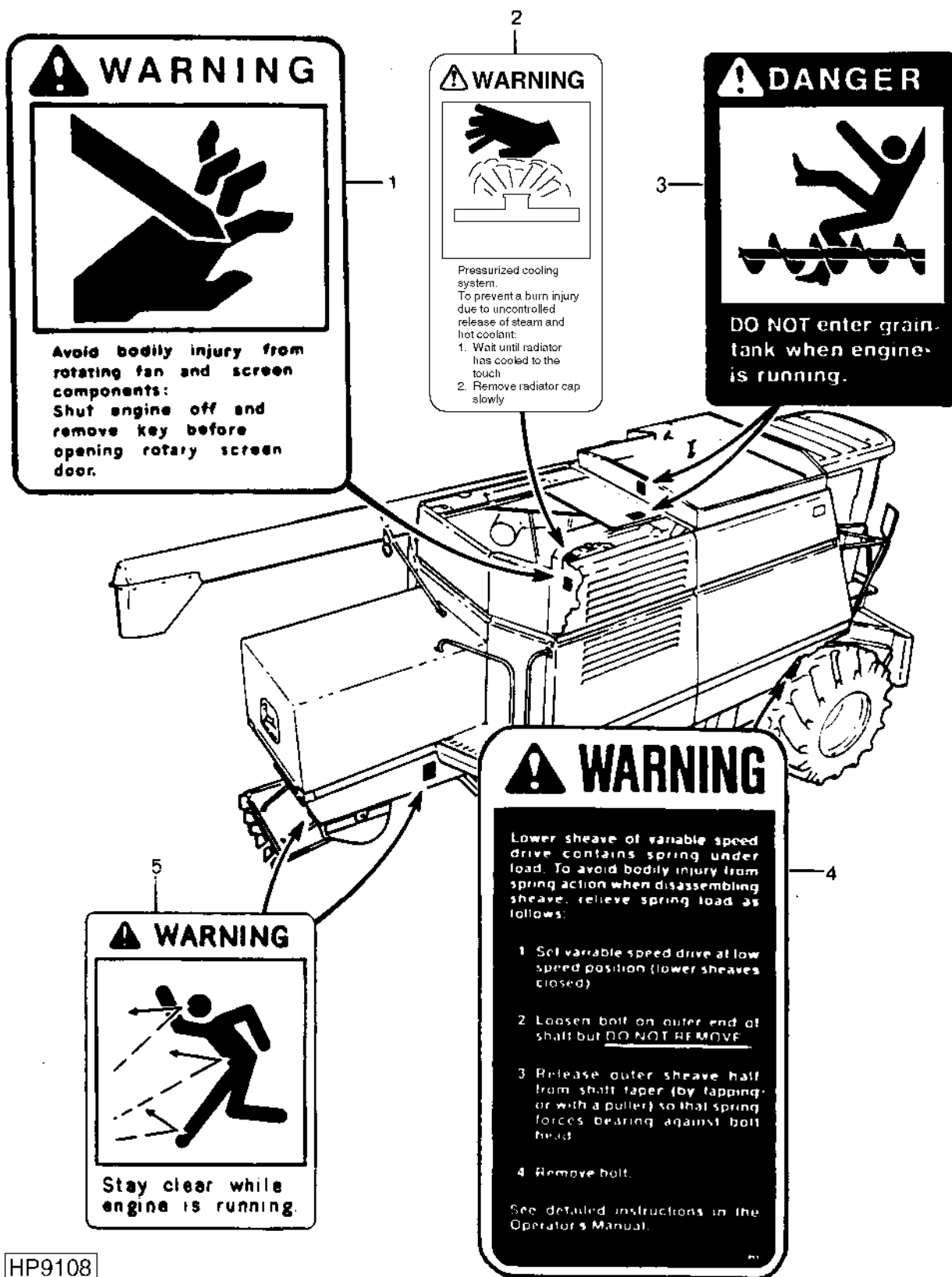
DECALS, BELTS AND CHAINS

SAFETY DECALS AND LOCATIONS - CONTINUED

KEY	PART NO.	PART NAME	QTY	SERIAL NO.	REMARKS
1	H149102	DECAL	1		CHOPPER
2	H149063	LABEL	1		HEADER
3	H149099	DECAL	1		CLEAN GRAIN ELEVATOR
4	H149064	LABEL	1		LADDER
5	JD5401	SMV EMBLEM	1	-660313	(SUB JD5400) SMV
	JD5400	SMV EMBLEM	1		SMV

SAFETY DECALS AND LOCATIONS

HP9108 -UN-04JAN99



HP9108

7H23

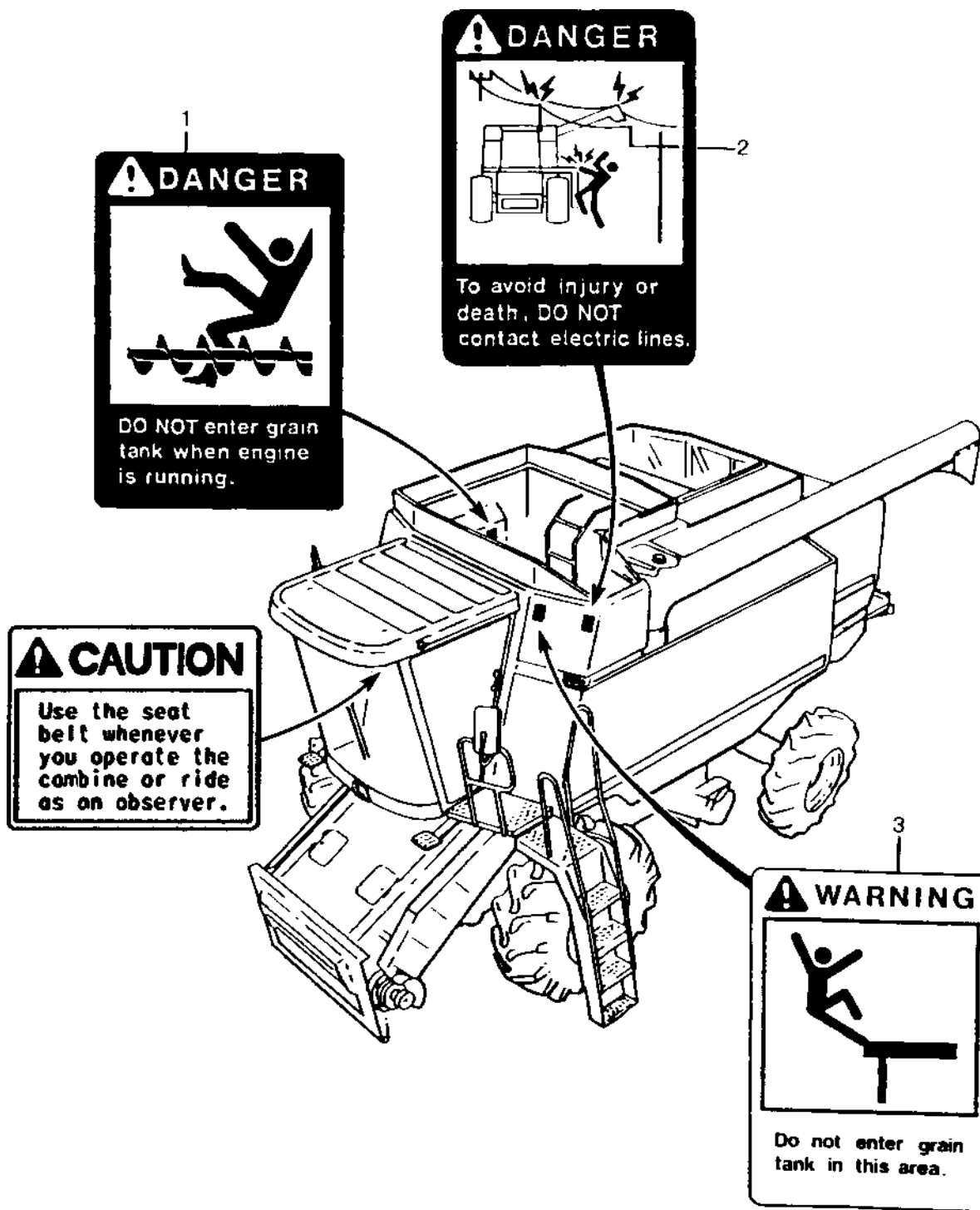
DECALS, BELTS AND CHAINS

SAFETY DECALS AND LOCATIONS - CONTINUED

KEY	PART NO.	PART NAME	QTY	SERIAL NO.	REMARKS
1	H149088	DECAL	1		FAN AND ROTARY SCREEN
2	H169344	DECAL	1		(SUB FOR A2913R) PRESSURE COOLING SYSTEM
3	H149062	DECAL	2		GRAIN TANK
4	H149037	DECAL	1		VARIABLE CYLINDER DRIVE
5	H149096	LABEL	2		PROJECTILE

7H24

SAFETY DECALS AND LOCATIONS
HP6221 -UN-04JAN96



HP6221

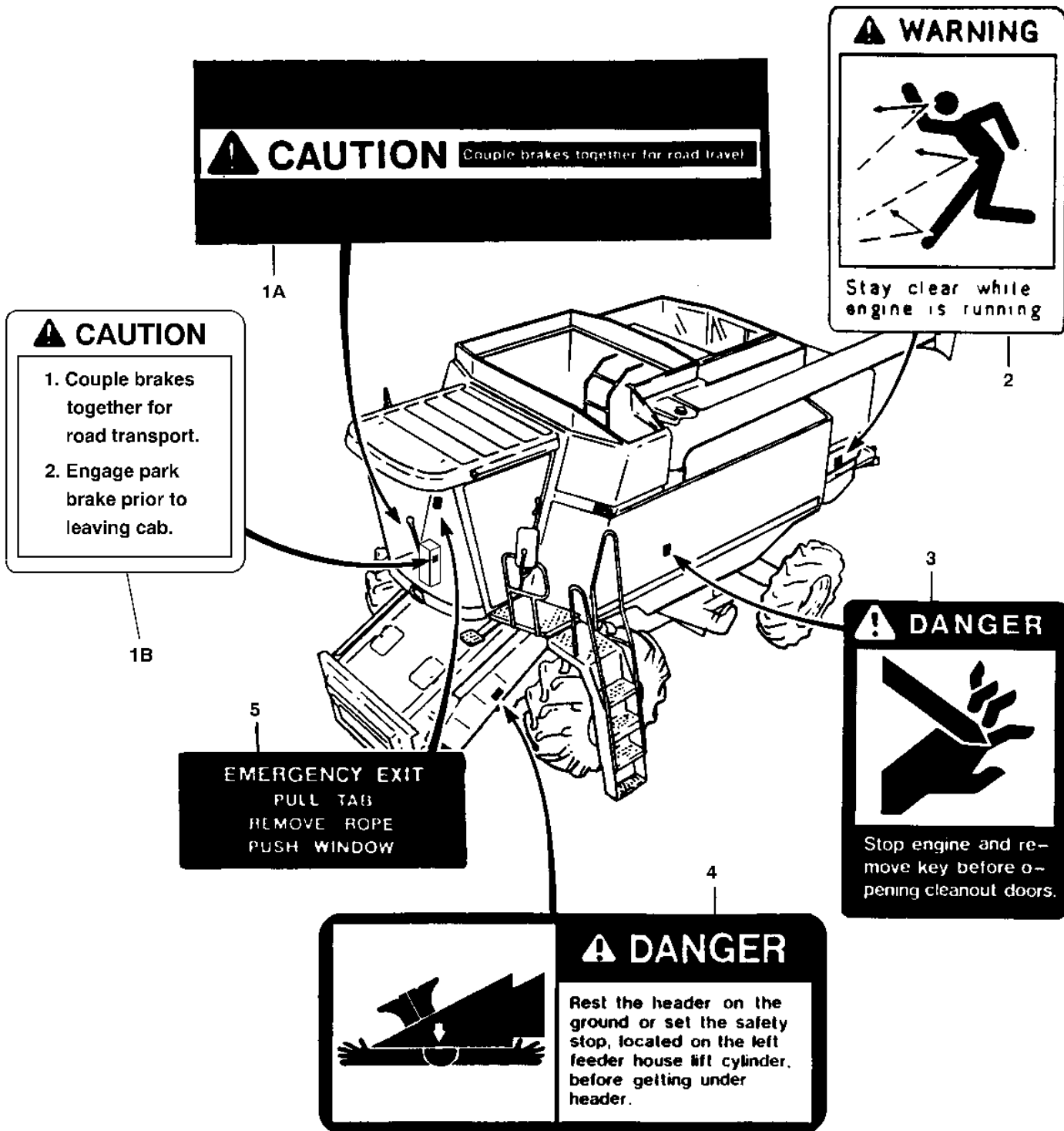
7H25

DECALS, BELTS AND CHAINS

SAFETY DECALS AND LOCATIONS - CONTINUED

KEY	PART NO.	PART NAME	QTY	SERIAL NO.	REMARKS
1	H149062	DECAL	1		GRAIN TANK
2	H149090	LABEL	1		POWERLINE
3	H149065	LABEL	2		FRONT ENTRY
4	H155510	SIGN	1	665101-	SEATBELT

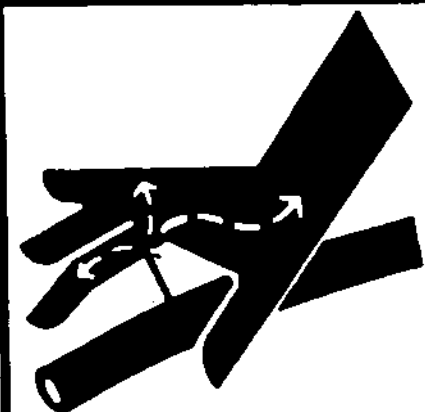
SAFETY DECALS AND LOCATIONS
HP6549 -UN-23AUG96



HP6549

SAFETY DECALS AND LOCATIONS - CONTINUED

KEY	PART NO.	PART NAME	QTY	SERIAL NO.	REMARKS
1A	H149068	LABEL	1	-6MAY96	BRAKE
1B	H156390	LABEL	1	6MAY96-	
2	H149096	LABEL	1		PROJECTILE
3	H149066	LABEL	1		AUGER
4	H149063	LABEL	1		HEADER
5	H134535	LABEL	1		EXIT



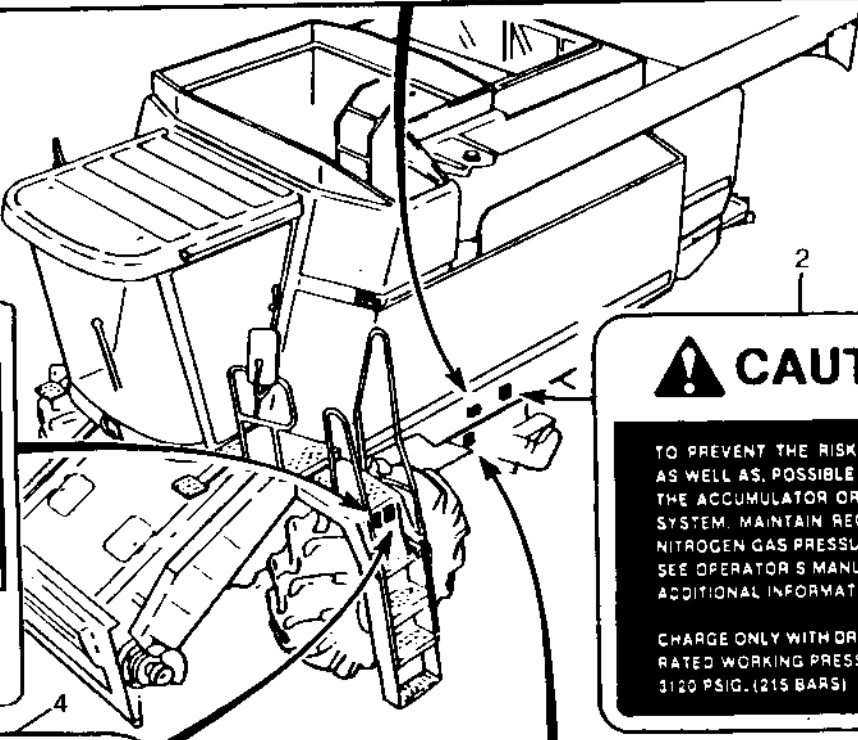
⚠ WARNING


Avoid bodily injuries from hydraulic oil and gas under pressure.

Before removing or charging accumulator

1. With feederhouse or header on the ground or in a supported position, open hand valve.
2. Start engine and hold header height control to lower position for 5 seconds to relieve system hydraulic pressure.
3. Stop engine.


Use only DRY NITROGEN for recharging accumulator.
See your John Deere dealer.





⚠ WARNING


Do not ride ladder while combine is moving.



CAUTION

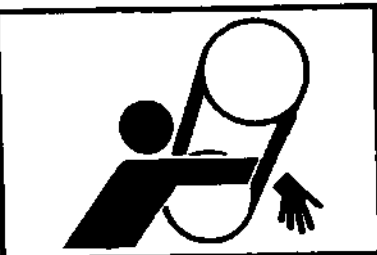
TO PREVENT THE RISK OF INJURY, AS WELL AS POSSIBLE DAMAGE TO THE ACCUMULATOR OR HYDRAULIC SYSTEM, MAINTAIN RECOMMENDED NITROGEN GAS PRESSURE. SEE OPERATOR'S MANUAL FOR ADDITIONAL INFORMATION.

CHARGE ONLY WITH DRY NITROGEN. RATED WORKING PRESSURE IS 3120 PSIG. (215 BARS)



CAUTION

1. Keep all shields in place.
2. Disengage and shut off all engine and/or motor power before servicing or unclagging machine.
3. Keep hands, feet, and clothing away from power driven parts.



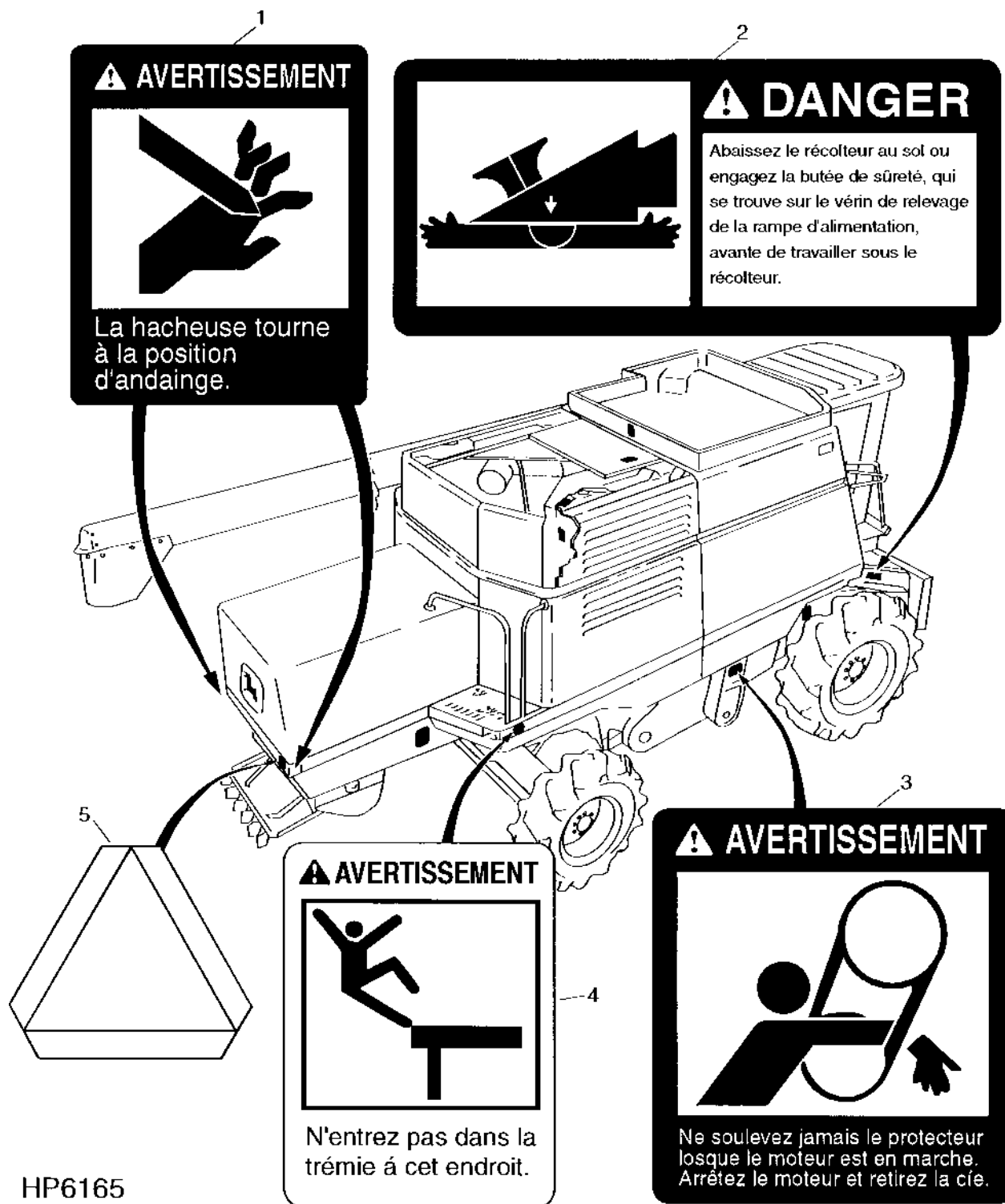
⚠ WARNING

Never raise shield with the engine running. Stop engine and remove key.

HP6163

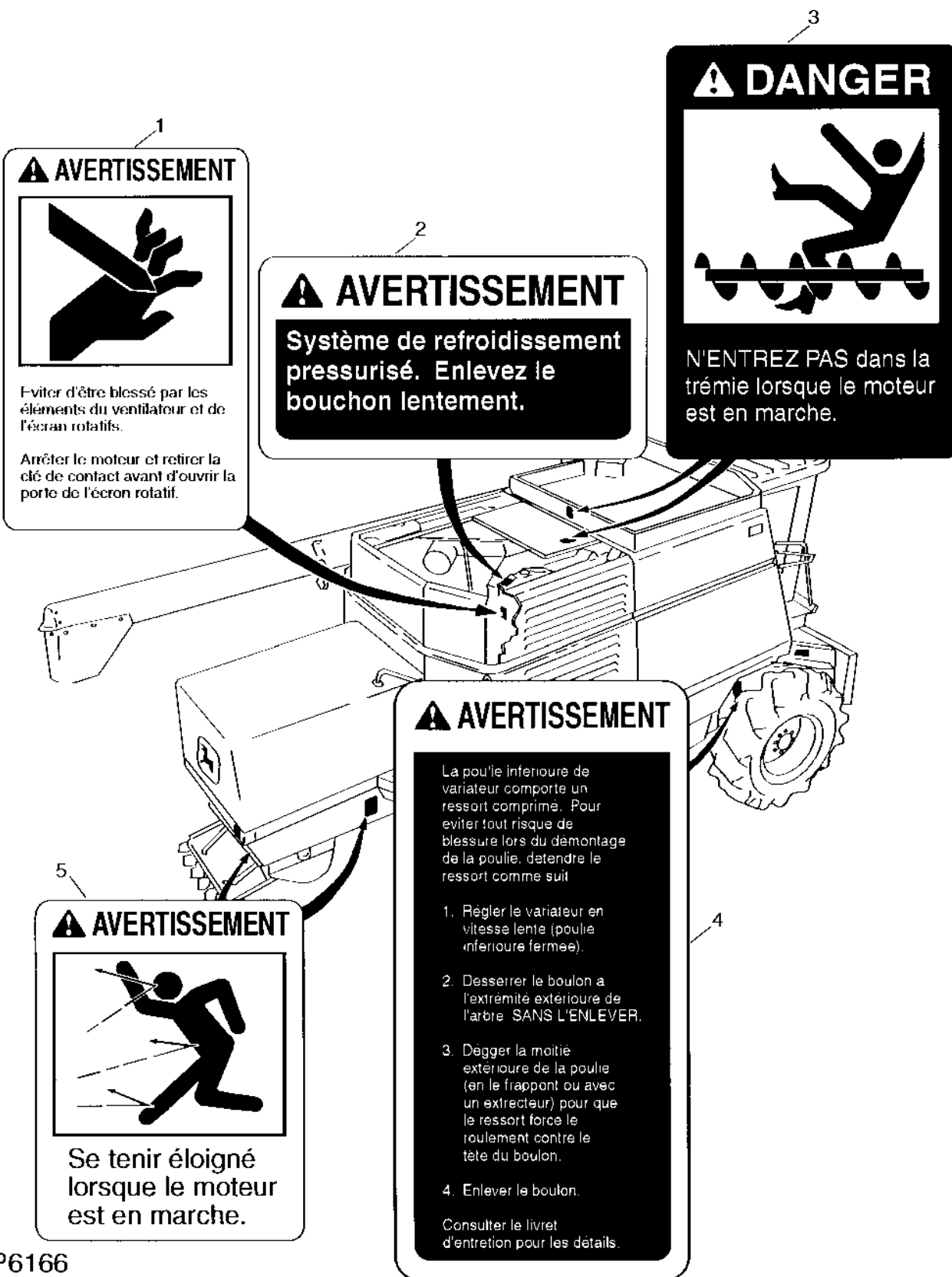
SAFETY DECALS AND LOCATIONS - CONTINUED

KEY	PART NO.	PART NAME	QTY	SERIAL NO.	REMARKS
1	H149067	LABEL	1		ACCUMULATOR
2	H149092	LABEL	1		ACCUMULATOR
3	H149099	DECAL	1		CLEAN GRAIN ELEVATOR
4	E82510	LABEL	1		SEPARATOR
5	H149064	LABEL	1		LADDER



SAFETY DECALS AND LOCATIONS - FRENCH - CONTINUED

KEY	PART NO.	PART NAME	QTY	SERIAL NO.	REMARKS
1	H149103	DECAL	2		CHOPPER
2	H149077	DECAL	1		HEADER
3	H149100	LABEL	1		CLEAN GRAIN ELEVATOR
4	H149074	LABEL	1		LADDER
5	JD5401	SMV EMBLEM	1	-660313	(SUB JD5400) SMV
	JD5400	SMV EMBLEM	1		SMV
..	AH135254	LABEL KIT	1		

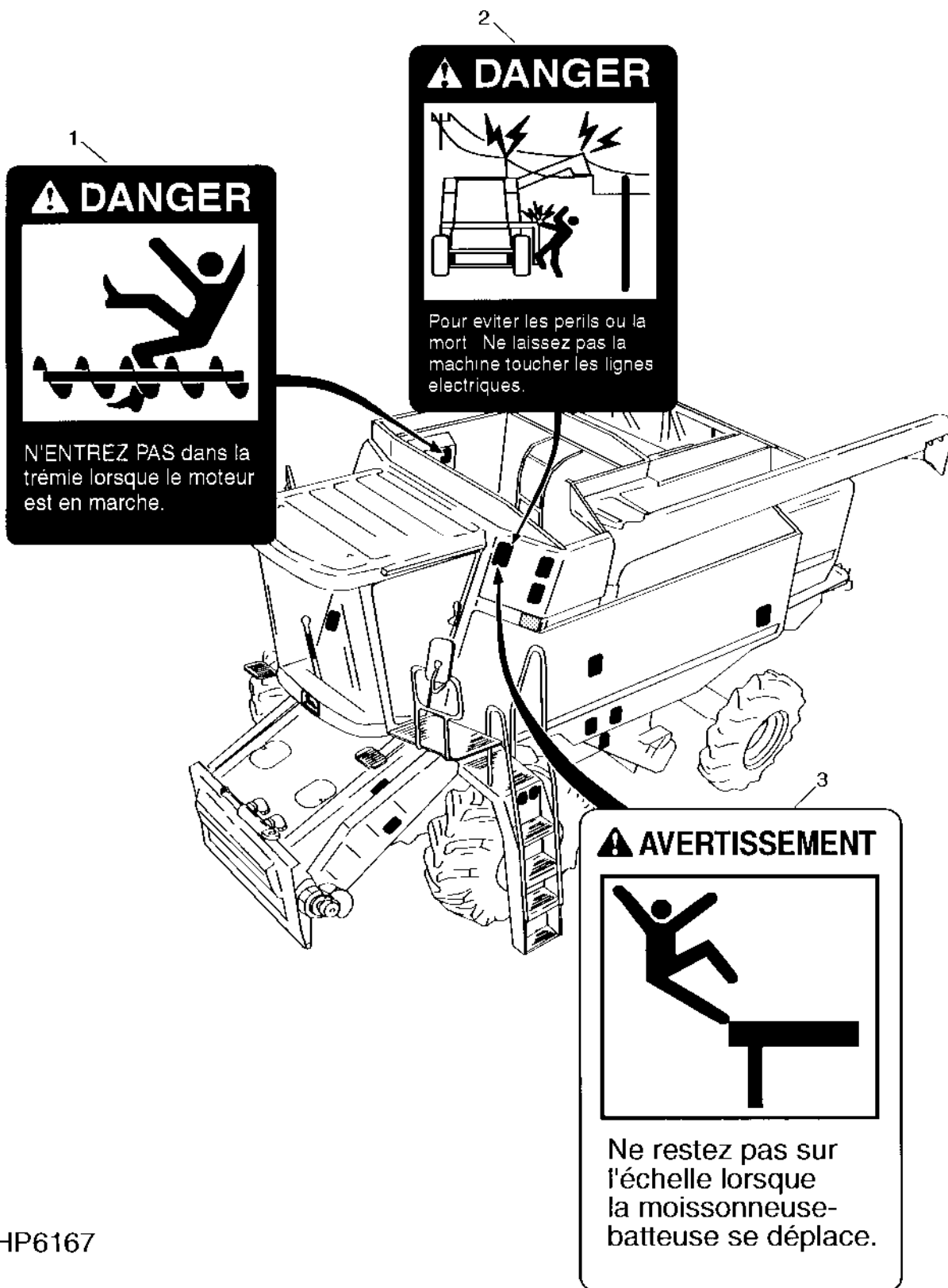


HP6166

SAFETY DECALS AND LOCATIONS - FRENCH - CONTINUED

KEY	PART NO.	PART NAME	QTY	SERIAL NO.	REMARKS
1	H149089	SIGN	1		FAN AND ROTARY SCREEN
2	H170105	LABEL	1		(SUB FOR H149046) PRESSURE COOLING SYSTEM
3	H149076	DECAL	2		GRAIN TANK
4	H149040	DECAL	1		VARIABLE CYLINDER DRIVE
5	H149097	LABEL	2		PROJECTILE
..	AH135254	LABEL KIT	1		

SAFETY DECALS AND LOCATIONS - FRENCH
 HP6167 -28-20SEP95



HP6167

7110

DECALS, BELTS AND CHAINS

SAFETY DECALS AND LOCATIONS - FRENCH - CONTINUED

KEY	PART NO.	PART NAME	QTY	SERIAL NO.	REMARKS
1	H149076	DECAL	1		GRAIN TANK
2	H149091	LABEL	1		POWERLINE
3	H149075	LABEL	2		FRONT ENTRY
..	AH135254	LABEL KIT	1		



ATTENTION Jumelez les freins pour le déplacement sur la route.

AVERTISSEMENT
 Se tenir éloigné lorsque le moteur est en marche.

SORTIE DE SECOURS
 TIREZ SUR LA LANGUETTE
 ENLEVEZ LA CORDE
 PUSSEZ SUR LA FENÊTRE

DANGER
 Abaissez le récolteur au sol ou engagez la butée de sûreté, qui se trouve sur le vérin de relevage de la rampe d'alimentation, avant de travailler sous le récolteur.

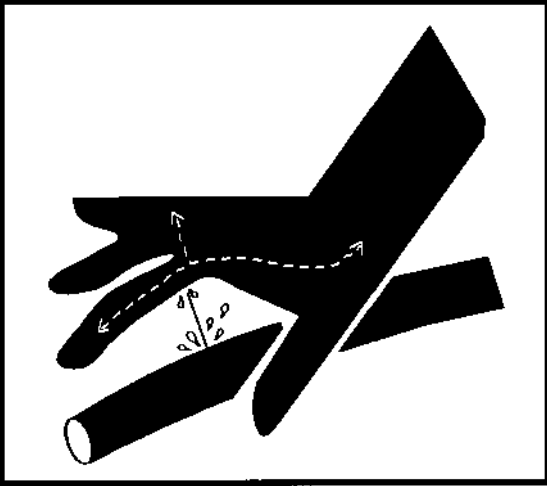
DANGER
 Coupez le moteur et enlevez la clé de contact avant d'ouvrir les portes de nettoyage.

HP6168

SAFETY DECALS AND LOCATIONS - FRENCH - CONTINUED

KEY	PART NO.	PART NAME	QTY	SERIAL NO.	REMARKS
1	H173824	LABEL	1		(SUB FOR H149080) BRAKE
2	H149097	LABEL	1		PROJECTILE
3	H149078	LABEL	1		AUGER
4	H149077	DECAL	1		HEADER
5	H134620	LABEL	1		EXIT
..	AH135254	LABEL KIT	1		

1

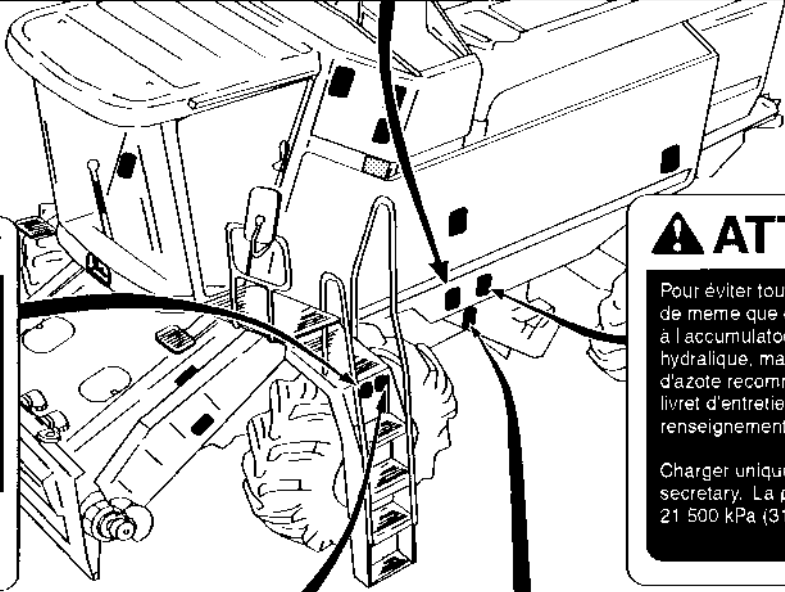


⚠ AVERTISSEMENT

Éviter les blessures corporelles provenant de l'huile hydraulique et du carburant sous pression. Avant d'enlever, de démonter ou de charger l'accumulateur:


1. Avec le rampe d'alimentation ou le récolteur ou sel ou on position soutenue, ouvrir le souepe manuelle.
2. Faire émettre le moteur et tenir le commande de toutour du récolteur e le position inférieure pendant 5 secondes pour reduire le pression hydraulique du systeme.
3. Arrêter le moteur.

Utiliser uniquement de L'AZOTE secretary pour recharger l'accumulateur. Consulter le concessionnaire John Deere.



5

⚠ AVERTISSEMENT



N'entrez pas dans la trémie à cet endroit.

2

⚠ ATTENTION

Pour éviter tout de blessures de meme que des dommages possibles à l'accumulateur ou au système hydraulique, maintenir la pression d'azote recommandée. Consulter le livret d'entretien pour des renseignements supplémentaires.

Charger uniquement avec de l'azote secretary. La pression nominale est de 21 500 kPa (3120 psi)

4

⚠ ATTENTION

1. Laissez tous les protecteurs en place.
2. Debrayez et arrêtez le moteur ou l'entraînement avant de protéger à toute opération d'entretien sur la machine.
3. Tenez vos vêtements à l'écart des pièces mobiles.

3

⚠ AVERTISSEMENT



Ne soulevez jamais le protecteur lorsque le moteur est en marche. Arrêtez le moteur et retirez la clé.

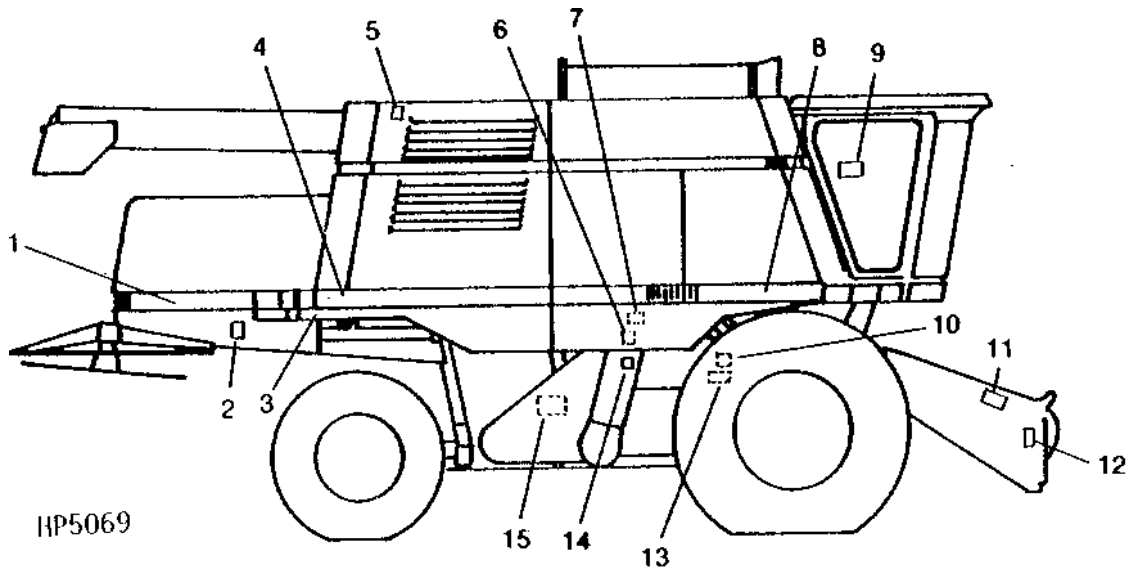
HP6169

SAFETY DECALS AND LOCATIONS - FRENCH - CONTINUED

KEY	PART NO.	PART NAME	QTY	SERIAL NO.	REMARKS
1	H149079	LABEL	1		ACCUMULATOR
2	H149098	LABEL	1		ACCUMULATOR
3	H149100	LABEL	1		CLEAN GRAIN ELEVATOR
4	E82575	LABEL	1		SEPARATOR
5	H149074	LABEL	1		LADDER
..	AH135254	LABEL KIT	1		

7115

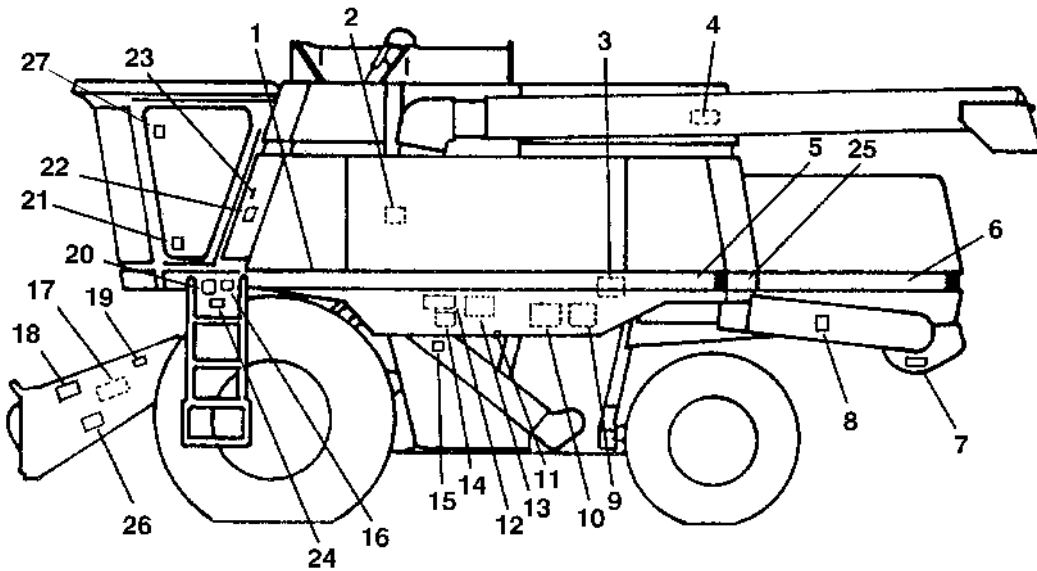
RIGHT-HAND DECALS
HP5069 -UN-01JAN94



RIGHT-HAND DECALS - CONTINUED

KEY	PART NO.	PART NAME	QTY	SERIAL NO.	REMARKS
1	H131030	LABEL	1		CENTERED ON R.H. SIDE OF REAR HOOD
2	H149096	LABEL	1		(SUB FOR H138989) "PROJECTILE WARNING" ON R.H. REAR HOOD
	H149097	LABEL	1		(SUB FOR H139036) (FRENCH) "PROJECTILE WARNING" ON R.H. REAR HOOD
3	H149064	LABEL	1		(SUB FOR H133640) "LADDER WARNING" ON INSIDE OF R.H. ENGINE ACCESS DOOR
	H149075	LABEL	1		(SUB FOR H135128) (FRENCH) "WARNING" ON INSIDE R.H. ENGINE ACCESS DOOR
4	H133488	LABEL	1		"JOHN DEERE" ON SERVICE ACCESS SHIELD
5	H144692	LABEL	1		(SUB FOR H139989)
6	H139392	LABEL	1		"9400" ON SERVICE ACCESS SHIELD
7	H139393	LABEL	1		
8	H136007	LABEL	1		
9	H134535	LABEL	1		"9400" ON SERVICE ACCESS SHIELD
	H134620	LABEL	1		
10	H149037	DECAL	1		(SUB FOR H110438) "WARNING" ON FRONT HALF OF CLEAN GRAIN ELEVATOR
	H149040	DECAL	1		(SUB FOR H114321) FRENCH "WARNING" ON FRONT HALF OF CLEAN GRAIN ELEVATOR
11	H149063	LABEL	4		(SUB FOR H133639) "HEADER DANGER" ON FEEDERHOUSE AND SHIELD
	H149077	DECAL	4		(SUB FOR H135130) (FRENCH) "HEADER DANGER" ON FEEDERHOUSE AND SHIELD
12	H123351	LABEL	2		(DUAL RANGE) ON R. H. FRONT WALKER COVER
	H129094	LABEL	2		(FRENCH) (DUAL RANGE) ON R.H. FRONT WALKER COVER
13	H114270	DECAL	1		"TIRE PRESSURE" ON VALVE STEM SIDE OF WHEEL - 165 KPA
	H114320	DECAL	1		(FRENCH) "TIRE PRESSURE" ON VALVE STEM SIDE OF WHEEL - 165 KPA
14	H149099	DECAL	2		(SUB FOR H139948) "WARNING" ON FRONT HALF OF GRAIN ELEVATOR
	H149100	LABEL	2		(SUB FOR H139949) (FRENCH) "WARNING" ON FRONT HALF OF CLEAN GRAIN ELEVATOR
15	H151140	LABEL	2		R.H. (SUB FOR H140579) "TIRE PRESSURE" ON WHEEL NEAR VALVE STEM - 220 KPA
	H151620	LABEL	2		(SUB FOR H151143 OR H140582)
	H154999	LABEL	2		R.H. "LUBE CHART"
..	AH135254	LABEL KIT	1		(SUB FOR AH122977) FRENCH DECAL KIT

LEFT-HAND DECALS
HP6680 -UN-21MAR97

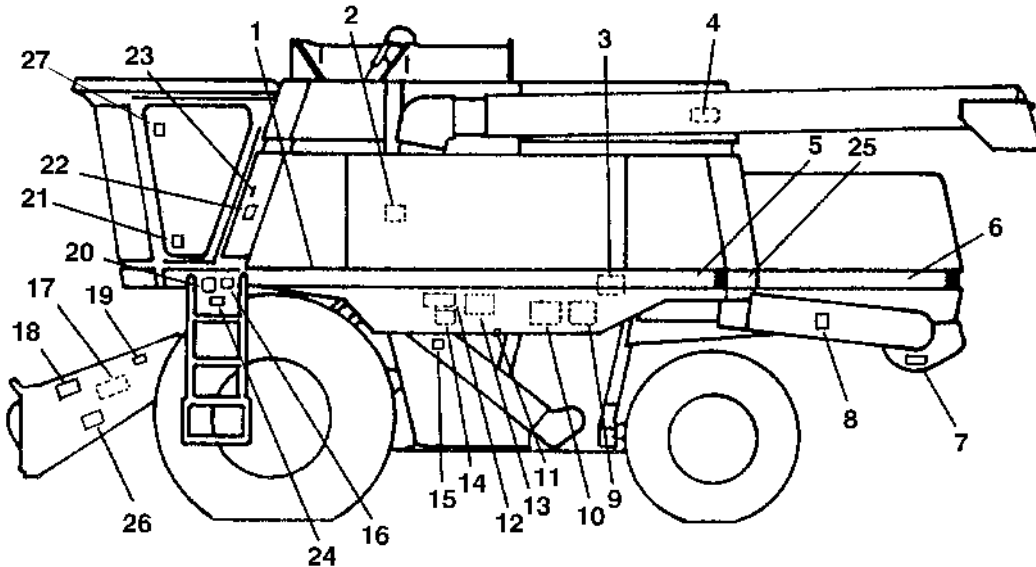


HP6680

LEFT-HAND DECALS - CONTINUED

KEY	PART NO.	PART NAME	QTY	SERIAL NO.	REMARKS
1	H136008	LABEL	1		"9400" ON SERVICE ACCESS SHIELD
2	H149066	LABEL	1		(SUB FOR H133642) "AUGER WARNING" ON UNLOADING ARM
	H149078	LABEL	1		(SUB FOR H135133) (FRENCH) "AUGER WARNING" ON UNLOADING ARM
3	H142182	LABEL	1	-635948	(SUB FOR H133996 OR H140583) "LUBE CHART" ON L.H. SIDE (NO LONGER AVAILABLE)
4	H141343	LABEL	1	635949-	"LUBE CHART" ON L.H. SIDE
	H110923	LABEL	1		HYDRAULIC RESERVOIR LABEL ON R.H. SIDE OF HYDRAULIC RESERVOIR
	H127078	LABEL	1		(FRENCH) HYDRAULIC RESERVOIR LABEL ON R.H. SIDE OF HYDRAULIC RESERVOIR
5	H133488	LABEL	1		"STYLING PANEL" CENTER ON LH REAR PANEL
6	H131031	LABEL	1		"STYLING DECAL" CENTERED ON L.H. SIDE OF REAR HOOD
7	H145857	LABEL	2	-29SE97	(SUB FOR H139431) "WARNING" CHOPPER POSITION
	H165247	LABEL	2	29SE97-	CHOPPER POSITION - ON EACH SIDE
	H145858	LABEL	1		"WARNING" CHOPPER POSITION (FRENCH)
8	H149096	LABEL	1		(SUB FOR H138989) "PROJECTILE WARNING" ON R.H. REAR HOOD
	H149097	LABEL	1		(SUB FOR H139036) (FRENCH) "PROJECTILE WARNING" ON R.H. REAR HOOD
9	H128315	LABEL	1		"DIAGNOSTIC PORTS" ON INSIDE OF LOWER REAR CORNER OF SERVICE ACCESS SHIELD
	H129099	LABEL	1		(FRENCH) "DIAGNOSTIC PORTS" ON INSIDE OF LOWER REAR CORNER OF SERVICE ACCESS SHIELD
10	H150763	LABEL	1		(SUB FOR H131021)
	H135131	LABEL	1		(FRENCH) "EH VALVE STACK" ON INSIDE OF LOWER REAR CORNER OF SERVICE ACCESS SHIELD
11	H80796	DECAL	1		"VARIABLE SPEED FAN HANDWHEEL" ON VARIABLE SPEED FAN WHEEL
12	H132811	LABEL	1		"ACCUMULATOR DECAL" ON L.H. SIDE SHEET
	H135132	LABEL	1		(FRENCH) "ACCUMULATOR DECAL" ON L.H. SIDE SHEET
13	H149092	LABEL	2		(SUB FOR H138423) "CAUTION" ON ACCUMULATOR
	H149098	LABEL	2		(SUB FOR H139049) (FRENCH) "CAUTION" ON ACCUMULATOR
14	H133643	LABEL	1	-660100	(SUB H149067) "WARNING" ON MID SILL
	H135134	LABEL	1	-660100	(SUB H149079) (FRENCH) "WARNING" ON MID SILL
	H149078	LABEL	1		(FRENCH) "WARNING" ON MID SILL
15	H149099	DECAL	1		(SUB FOR H139948) "WARNING" ON FRONT HALF OF GRAIN ELEVATOR
	H149100	LABEL	1		(SUB FOR H139949) (FRENCH) "WARNING" ON FRONT OF TAILINGS ELEVATOR
16	H131182	LABEL	1		"TIRE LOADING LABEL" ON CAB LADDER
	H173336	LABEL	1		(SUB FOR H127325 OR H127327) (FRENCH) "TIRE LOADING"
17	H160701	LABEL	1		(SUB FOR H135405) "FEEDER HOUSE CHAIN ADJUSTMENT"
	H160795	LABEL	1		(SUB FOR H135406) (FRENCH) "FEEDER HOUSE CHAIN ADJUSTMENT"
18	H137939	LABEL	1		"HARNESS AND HOSE STORAGE" ON L.H. DRIVE SHIELD
	H137940	LABEL	1		(FRENCH) "HARNESS AND HOSE STORAGE" ON L.H. DRIVE SHIELD
19	H126397	LABEL	1		"VARIABLE SPEED DRIVE" ON SIDE OF FEEDER HOUSE SHIELD

LEFT-HAND DECALS - CONTINUED
HP6680 -UN-21MAR97



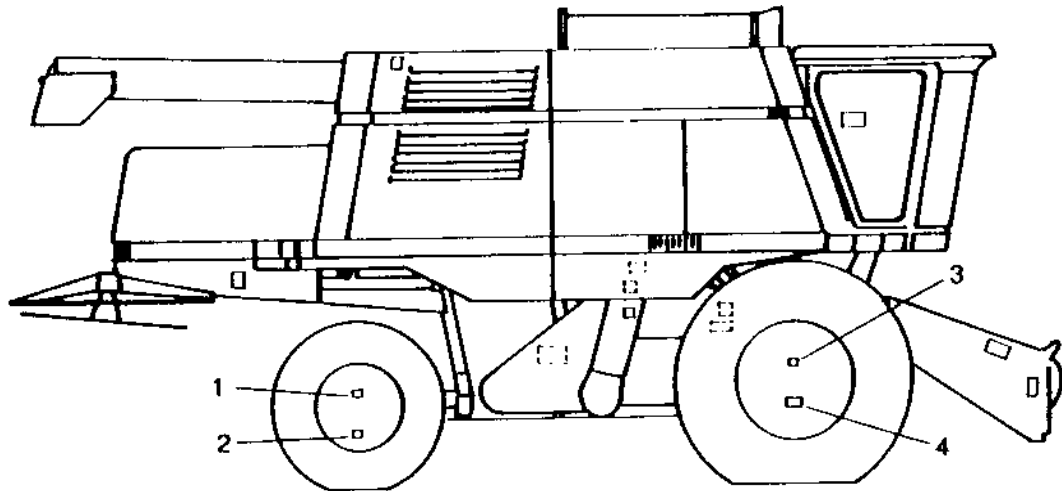
HP6680

KEY	PART NO.	PART NAME	QTY	SERIAL NO.	REMARKS
20	H133640	LABEL	1	-660100	(SUB H149064) "LADDER WARNING" ON CAB LADDER
	H149064	LABEL	1		"LADDER WARNING" ON INSIDE R.H. ENGINE ACCESS DOOR
	H135128	LABEL	1	-660100	(SUB H149074) (FRENCH) "LADDER WARNING" ON CAB LADDER
	H149075	LABEL	1		(FRENCH) "LADDER WARNING" ON CAB LADDER
21	H134767	LABEL	1	-660100	(SUB H149068) "BRAKE" ON GEARSHIFT
	H135242	LABEL	1	-660100	(SUB H149080) (FRENCH) "BRAKE LABEL" ON GEARSHIFT
	H173824	LABEL	1		(SUB FOR H149080) (FRENCH) "BRAKE" ON GEARSHIFT
	H140768	LABEL	1		"BRAKE" FRENCH
22	H135167	LABEL	1		(FRENCH) ON FILTER DOOR ABOVE ENGLISH DIRECTION
23	H136583	LABEL	1		(FRENCH) ON INSIDE WALL OF FILTER TRAY, BEHIND CAB SEAT
24	JD5255	DECAL	1	-650100	(SUB E82510) "CAUTION" ON CAB LADDER
	E82510	LABEL	1		"CAUTION" ON CAB LADDER
	JD5127	DECAL	1	-650300	(SUB E82575) (FRENCH) "CAUTION" ON CAB LADDER
	E82575	LABEL	1		(FRENCH) "CAUTION" ON CAB LADDER
	E82575	LABEL	1		(FRENCH) "CAUTION" ON CAB LADDER
25	H137356	LABEL	1		"JOHN DEERE" ON L.H. SERVICE ACCESS SHIELD
26	H133639	LABEL	1	-660100	(SUB H149063) "HEADER DANGER" ON L.H. FDR HSE DRIVE SHIELD
	H149063	LABEL	1		"HEADER DANGER" ON FEEDERHOUSE AND SHIELD
27	H160459	LABEL	1	9DEC96-670000	"ROAD CORROSION"
..	AH122977	DECAL	1	-631080	(SUB AH135254) FRENCH DECAL KIT
..	AH135254	LABEL KIT	1		

MEMORANDA

7120

FRONT AND REAR WHEEL DECALS
HP6111 -UN-26JUN95

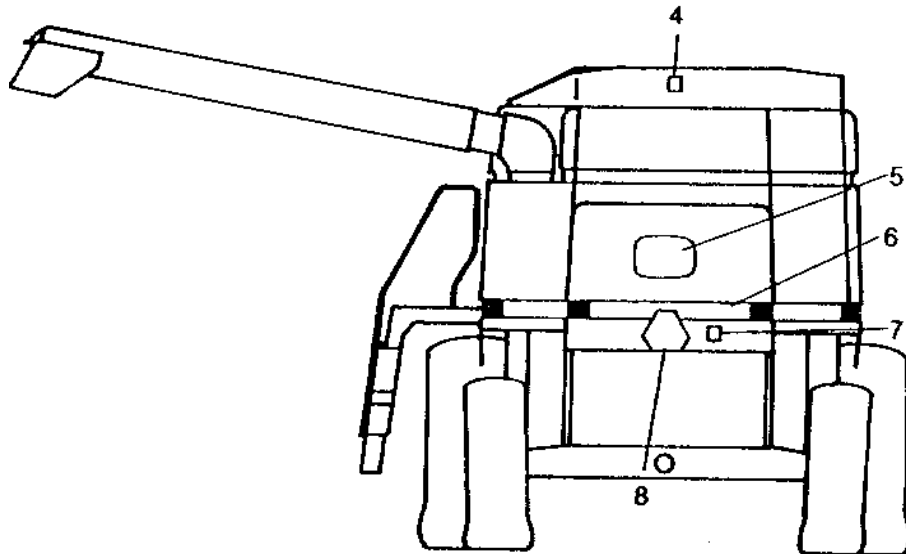
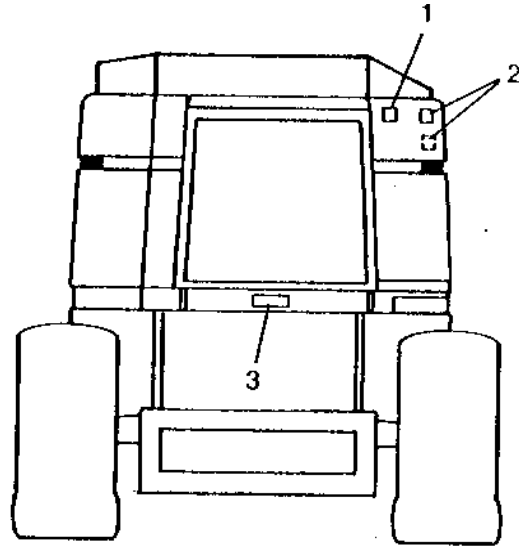


HP6111↓

FRONT AND REAR WHEEL DECALS - CONTINUED

KEY	PART NO.	PART NAME	QTY	SERIAL NO.	REMARKS
1	H116641	LABEL	2	-640100	"IMPORTANT" WHEEL BOLT TORQUE 205 NM (150 LB-FT), REAR WHEELS
	H145995	LABEL	2	640101-	"IMPORTANT" WHEEL BOLT TORQUE 205 NM (150 LB-FT), REAR WHEELS
	H150646	DECAL	2	660101-	"IMPORTANT" 15 PSI (103 KPA) (28L X 26-10 OR 12 PLY TIRE)
	H174266	LABEL	2	660101-	(SUB FOR H151575) "IMPORTANT" ON AXLE STOP (28L X 26-10 OR 12 PLY TIRE)
	H127076	LABEL	2	-640100	(FRENCH) "IMPORTANT" WHEEL BOLT TORQUE 205 NM (150 LB-FT), REAR WHEELS
	H145996	LABEL	2	640101-	(FRENCH) "IMPORTANT" WHEEL BOLT TORQUE 205 NM(150 LB-FT), REAR WHEELS
2	H111541	LABEL	2		"IMPORTANT" TIRE PRESSURE - 40 PSI (275 KPA) ON WHEEL NEAR VALVE STEM
	H127073	LABEL	2		(FRENCH) "IMPORTANT" TIRE PRESSURE - 40 PSI (275 KPA) ON WHEEL NEAR VALVE STEM
	H140709	LABEL	2		"IMPORTANT" TIRE PRESSURE - 26 PSI (180 KPA) ON WHEEL NEAR VALVE STEM
	H140749	LABEL	2		(FRENCH) "IMPORTANT" TIRE PRESSURE - 26 PSI (180 KPA) ON WHEEL NEAR VALVE STEM
	H108604	LABEL	2		"IMPORTANT" TIRE PRESSURE - 20 PSI (140 KPA) ON WHEEL NEAR VALVE STEM
	H127067	LABEL	2		(FRENCH) "IMPORTANT" TIRE PRESSURE - 20 PSI (140 KPA) ON WHEEL NEAR VALVE STEM
	H127070	LABEL	2		(FRENCH) "IMPORTANT" TIRE PRESSURE - 30 PSI (205 KPA) ON WHEEL NEAR VALVE STEM
3	H134442	LABEL	2		"WHEEL BOLT TORQUE" ON WHEEL NEAR RING
	H135141	LABEL	2		(FRENCH) "WHEEL BOLT TORQUE" ON WHEEL NEAR RING
	H139603	LABEL	2		"WHEEL BOLT TORQUE" ON WHEEL NEAR RING
4	H127068	LABEL	2		(FRENCH) "TIRE PRESSURE" 24 PSI (165 KPA) ON WHEEL NEAR VALVE STEM
	H140711	LABEL	2		"TIRE PRESSURE" 36 PSI (250 KPA) ON WHEEL NEAR VALVE STEM
	H140751	LABEL	2		(FRENCH) "TIRE PRESSURE" 36 PSI (250 KPA) ON WHEEL NEAR VALVE STEM
	H116640	LABEL	2		"TIRE PRESSURE" 32 PSI (220 KPA) ON WHEEL NEAR VALVE STEM
	H127075	LABEL	2		(FRENCH) "TIRE PRESSURE" 32 PSI (220 KPA) ON WHEEL NEAR VALVE STEM
	H108604	LABEL	2		"TIRE PRESSURE" 20 PSI (140 KPA) ON WHEEL NEAR VALVE STEM
	H127067	LABEL	2		(FRENCH) "TIRE PRESSURE" 20 PSI (140 KPA) ON WHEEL NEAR VALVE STEM
	H140709	LABEL	2		"TIRE PRESSURE" 26 PSI (180 KPA) ON WHEEL NEAR VALVE STEM
	H140749	LABEL	2		(FRENCH) "TIRE PRESSURE" 26 PSI (180 KPA) ON WHEEL NEAR VALVE STEM
..	AH122977	DECAL	1	-631080	(SUB AH135254) KIT, FRENCH
..	AH135254	LABEL KIT	1		FRENCH

FRONT AND REAR DECALS
HP3550 -UN-01JAN94

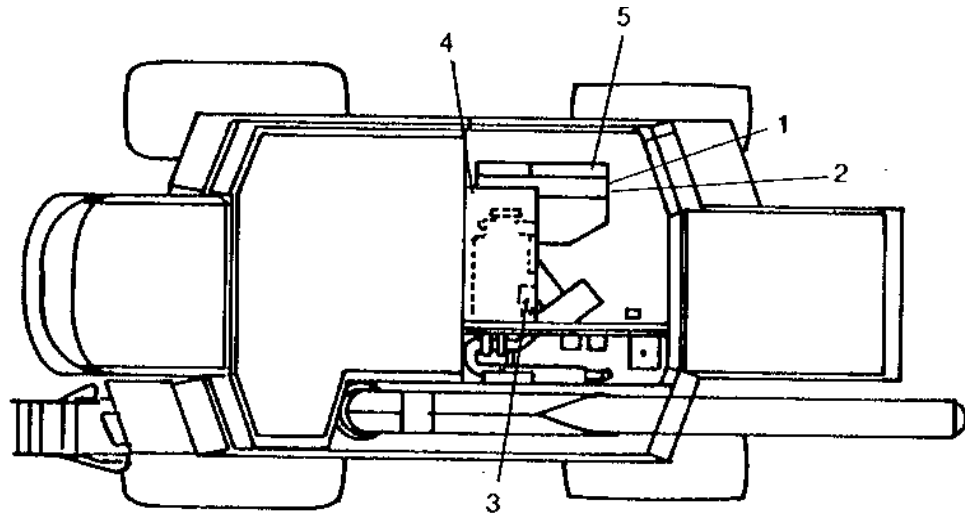


HP3550

FRONT AND REAR DECALS - CONTINUED

KEY	PART NO.	PART NAME	QTY	SERIAL NO.	REMARKS
1	H137426	LABEL	1	-660100	(SUB H149090) "DANGER" ON ACCESS DOOR
	H149090	LABEL	1		"DANGER" ON ACCESS DOOR
	H137427	LABEL	1	-660100	(SUB H149091) (FRENCH) "DANGER" ON ACCESS DOOR
2	H149091	LABEL	1		(FRENCH) "DANGER" ON ACCESS DOOR
	H133641	LABEL	2	-660100	(SUB H149065) "WARNING" ONE ON OUTSIDE OF ACCESS DOOR, AND ONE ON INSIDE OF ACCESS DOOR
	H149065	LABEL	2		"WARNING" ONE ON OUTSIDE OF ACCESS DOOR AND ONE ON INSIDE OF ACCESS DOOR
	H135126	LABEL	2	-660100	(SUB H149074) (FRENCH) "WARNING" ONE ON OUTSIDE OF ACCESS DOOR, ONE ON INSIDE OF ACCESS DOOR
	H149074	LABEL	2		(FRENCH) "WARNING" ONE ON OUTSIDE OF ACCESS DOOR, ONE ON INSIDE OF ACCESS DOOR
3	H136158	LABEL	1		"LEAPING DEER" ON FRONT SHIELD
4	H133638	LABEL	1	-660100	(SUB H149062) "DANGER" ON REAR GRAIN TANK EXTENSION
	H149062	DECAL	1		"DANGER" ON REAR GRAIN TANK EXTENSION
	H135129	LABEL	1	-660100	(SUB H149076) (FRENCH) "DANGER" ON REAR GRAIN TANK EXTENSION
	H149076	DECAL	1		(FRENCH) "DANGER" ON REAR GRAIN TANK EXTENSION
5	JD5592	DECAL	1		"LEAPING DEER" CENTERED ON UPPER REAR HOOD
6	H121040	LABEL	1		"STYLING LABEL" BETWEEN LIGHTS ON REAR HOOD
7	H138989	LABEL	1	-660100	(SUB H149096) "PROJECTILE WARNING" ON REAR HOOD END SHEET
	H149096	LABEL	1		"PROJECTILE WARNING" ON R.H. REAR HOOD
	H139036	LABEL	1	-660100	(SUB H149097) (FRENCH) "PROJECTILE WARNING" ON REAR HOOD END SHEET
	H149097	LABEL	1		(FRENCH) "PROJECTILE WARNING" ON R.H. REAR HOOD
8	JD5401	SMV EMBLEM	1	-660313	(SUB JD5400) "SMV DECAL" ON DEFLECTOR
	H134667	DEFLECTOR	1		ON SPREADER OR LOWER REAR HOOD

TOP DECALS
 HP3551 -UN-01JAN94



HP3551

KEY	PART NO.	PART NAME	QTY	SERIAL NO.	REMARKS
1	H137201	DECAL	1		ON REAR SHEET OF RADIATOR MOUNTING FRAME
	H137364	DECAL	1		(FRENCH) ON REAR SHEET OF RADIATOR MOUNTING FRAME
2	H137202	DECAL	1	-650100	ON REAR SHEET OF RADIATOR MOUNTING FRAME
	H137202	DECAL	2	650101-660100	(SUB H149088)
	H137365	DECAL	1	-660100	(SUB H149089) (FRENCH) ON REAR SHEET OF RADIATOR MOUNTING FRAME
	H149089	SIGN	1		(FRENCH) ON REAR SHEET OF RADIATOR MOUNTING FRAME
3	H149088	DECAL	1		"WARNING" FAN & ROTARY SCREEN
	H86896	DECAL	1		ON ENGINE STARTING AID UNIT TO REAR OF OF MACHINE
	H95273	DECAL	1		(FRENCH) ON ENGINE STARTING AID UNIT TO REAR OF MACHINE
4	H133638	LABEL	1	-660100	(SUB H149062) ON FRONT OF ENGINE COVER
	H149062	DECAL	1		"WARNING" ON REAR GRAIN TANK EXTENSION
	H135129	LABEL	1	-660100	(SUB H149076) (FRENCH) ON FRONT OF ENGINE COVER
	H149076	DECAL	1		(FRENCH) "DANGER" ON REAR GRAIN TANK EXTENSION
5	H95236	DECAL	1	-660100	(SUB H149046) (FRENCH) ON TOP OF RADIATOR
	H170105	LABEL	1		(SUB FOR H149046) (FRENCH) ON TOP OF RADIATOR
	H169344	DECAL	1		(SUB FOR A2913R) ON TOP OF RADIATOR

NUMERICAL INDEX

PART NO.	GRID	KEY	PAGE	PART NO.	GRID	KEY	PAGE	PART NO.	GRID	KEY	PAGE
AA27536	2C18	10	40 - 7	AE50995	4D12	35	70 - 47	AH111447	6I2	39	121 - 73
AA27536	3G6	23	60 - 25	AF1466R	6G10	46	121 - 33	AH111704	2D2	13	40 - 15
AA27536	5C24	10	90 - 35	AH100012	2E13	1	40 - 52	AH111705	2D2	16	40 - 15
AA27536	5E11	23	90 - 73	AH100013	2E13	6	40 - 52	AH111705	2D2	21	40 - 15
AA5607R	6G16	12	121 - 39	AH101202	3G17	22	60 - 36	AH111705	2D2	23	40 - 15
AA5607R	6G22	14	121 - 45	AH104259	2D2	2	40 - 15	AH111970	6G24	26	121 - 47
AA5607R	6H6	10	121 - 53	AH104783	6G22	19	121 - 45	AH111971	6H2	4	121 - 49
AA5607R	6H18	3	121 - 65	AH104783	6H4	12	121 - 51	AH112031	6F23	12	121 - 21
AA5607R	6H22	19	121 - 69	AH105040	5F17	23	110 - 5	AH112033	6F19	2	121 - 17
AA5607R	6H24	17	121 - 71	AH105521	2F4	9	40 - 67	AH112169	2D2	19	40 - 15
AA5607R	6I2	34	121 - 73	AH106010	5C2	1	90 - 13	AH112189	2F14	8	40 - 77
AA5607R	6I4	33	121 - 75	AH106010	5C2	2	90 - 13	AH112189	2F16	8	40 - 79
AA5607R	7E8	11	125 - 69	AH106096	7H2	18	130 - 55	AH112189	2F18	8	40 - 81
AA5607R	7F16	12	130 - 21	AH106110	6G18	7	121 - 41	AH112284	3H4	6	60 - 47
AB18206	4B16	3	70 - 3	AH106296	6G18	5	121 - 41	AH112285	3H4	6	60 - 47
AB5070R	6G2	22	121 - 25	AH106296	6G18	21	121 - 41	AH112402	3C12	2	50 - 25
AC11779	7E3	10	125 - 64	AH106606	7G22	11	130 - 51	AH112435	7G20	3	130 - 49
AC11779	7F2	10	130 - 7	AH106612	2C24	8	40 - 13	AH112703	5E15	16	90 - 77
AC14974	7E3	10	125 - 64	AH106612	2D2	12	40 - 15	AH112883	6G10	16	121 - 33
AC14974	7F2	10	130 - 7	AH106612	2F2	1A	40 - 65	AH113139	6G14	11	121 - 37
AC15595	2B23	14	30 - 13	AH106612	2F22	4	40 - 85	AH113292	2E14	1	40 - 53
AD2062R	2E22	1	40 - 61	AH106612	2F22	7	40 - 85	AH113292	2E18	7	40 - 57
AE22622	6H24	8	121 - 71	AH106612	2G16	5	40 - 103	AH113301	5D15	13	90 - 51
AE22622	6I4	38	121 - 75	AH106618	5F17	2	110 - 5	AH114109	2B13	17	30 - 3
AE23516	5H16	5	110 - 55	AH106695	4D9	2	70 - 44	AH114359	6E20	14	120 - 83
AE23791	5D4	18	90 - 39	AH106933	3B18	8	50 - 5	AH114877	5C10	29	90 - 21
AE23791	5F19	18	110 - 7	AH106933	3B20	17	50 - 7	AH114882	6C19	4	120 - 33
AE26118	6D6	3	120 - 45	AH106982	2B13	20	30 - 3	AH114978	3B16	2A	50 - 3
AE27909	5H2	11	110 - 41	AH108080	4B16	2	70 - 3	AH115281	3B16	1	50 - 3
AE30624	6I2	27	121 - 73	AH108161	5F15	17	110 - 3	AH115321	4F4	4	70 - 91
AE30624	6I4	26	121 - 75	AH108299	5C4	11	90 - 15	AH115347	1B12	1	20 - 1
AE32374	4C16	..	70 - 27	AH108299	7F24	29	130 - 29	AH115487	3B16	15	50 - 3
AE32374	4C17	5	70 - 28	AH108380	2C16	17	40 - 5	AH115639	1B12	15	20 - 1
AE37060	4D10	..	70 - 45	AH108380	2C18	15	40 - 7	AH115639	1B14	29	20 - 3
AE37848	4D16	..	70 - 51	AH108380	4B16	10	70 - 3	AH115797	2C16	5	40 - 5
AE37848	4D17	..	70 - 52	AH108380	5C24	15	90 - 35	AH115799	2C16	6	40 - 5
AE37848	4D19	..	70 - 55	AH108388	5D6	8	90 - 41	AH115800	2C16	7	40 - 5
AE38021	4D12	37	70 - 47	AH108389	5D6	7	90 - 41	AH115833	5C21	1	90 - 32
AE38448	6G18	21	121 - 41	AH108693	6G18	14	121 - 41	AH115836	5E15	8	90 - 77
AE38734	4D12	16	70 - 47	AH108801	6G10	5	121 - 33	AH115943	2F22	1	40 - 85
AE41319	4D9	11	70 - 44	AH108813	6F7	1	121 - 5	AH116006	4E11	9	70 - 73
AE42998	7F14	6	130 - 19	AH108813	6G16	5	121 - 39	AH116104	2E2	16	40 - 41
AE44392	2E4	15	40 - 43	AH108816	3G6	2	60 - 25	AH116104	2E8	5	40 - 47
AE44392	2E4	23	40 - 43	AH108816	5E11	2	90 - 73	AH116104	2G23	12	40 - 111
AE44392	2E8	13	40 - 47	AH10888	1B14	16	20 - 3	AH116104	3C9	25	50 - 21
AE44929	2G16	13	40 - 103	AH109056	6G10	43	121 - 33	AH116105	2E18	21	40 - 57
AE44930	2D25	7	40 - 39	AH109120	2D2	11	40 - 15	AH116105	2E20	23	40 - 59
AE44930	2D25	11	40 - 39	AH109120	2D2	18	40 - 15	AH116105	4D9	7	70 - 44
AE44930	2D25	12	40 - 39	AH109120	2D2	25	40 - 15	AH116105	4F8	9	70 - 95
AE44930	2E22	21	40 - 61	AH109120	2D2	28	40 - 15	AH116110	2D10	6	40 - 23
AE44931	2D25	9	40 - 39	AH109197	6G22	20	121 - 45	AH116110	2D12	5	40 - 25
AE44931	2G16	12	40 - 103	AH109197	6H6	27	121 - 53	AH116110	5E19	8	90 - 81
AE46606	5G17	17	110 - 31	AH109197	6H18	7	121 - 65	AH116123	2B13	3	30 - 3
AE49003	4D16	15	70 - 51	AH109197	7E8	14	125 - 69	AH116232	5G19	21	110 - 33
AE49003	4D16	17	70 - 51	AH109197	7F4	11	130 - 9	AH116313	5D13	1	90 - 49
AE49003	4D17	15	70 - 52	AH109555	2C12	6	40 - 1	AH116390	7H3	4	130 - 56
AE49003	4D17	16	70 - 52	AH109788	1B18	9	20 - 7	AH116632	4C8	18	70 - 19
AE49003	4D17	17	70 - 52	AH109788	5G17	13	110 - 31	AH116902	2C24	4	40 - 13
AE49003	4D19	15	70 - 55	AH109788	5G19	16	110 - 33	AH116902	2C24	7	40 - 13
AE49003	4D19	17	70 - 55	AH109874	5C10	1	90 - 21	AH116902	3B16	17A	50 - 3
AE49003	4D21	..	70 - 57	AH11015	7D6	6	125 - 43	AH116902	3G6	40	60 - 25
AE49003	4D23	..	70 - 59	AH110674	5D13	2	90 - 49	AH116902	5E11	40	90 - 73
AE49773	5H16	1	110 - 55	AH110887	6G10	31	121 - 33	AH117016	2E24	20	40 - 63
AE49777	4D12	35	70 - 47	AH111354	7G18	7	130 - 47	AH117017	2E24	20	40 - 63
AE49777	4D16	..	70 - 51	AH111354	7G20	22	130 - 49	AH117018	2E24	20	40 - 63
AE49777	4D21	..	70 - 57	AH111447	6G14	14	121 - 37	AH117067	5E2	1	90 - 63
AE49777	4D23	..	70 - 59	AH111447	6H6	25	121 - 53	AH117265	7C8	1	125 - 21

NUMERICAL INDEX - CONTINUED

PART NO.	GRID	KEY	PAGE	PART NO.	GRID	KEY	PAGE	PART NO.	GRID	KEY	PAGE
AH117277	7E23	28	130-3	AH120900	2F14	10	40-77	AH122685	6G4	29	121-27
AH117280	7E23	18	130-3	AH120907	6G18	10	121-41	AH122685	6G8	2	121-31
AH117281	7E23	18	130-3	AH120918	6C21	12	120-35	AH122717	7G18	2	130-47
AH117301	2D2	36	40-15	AH120918	6H6	3	121-53	AH122717	7G20	2B	130-49
AH117301	2E2	5	40-41	AH120918	7H19	3	170-5	AH122717	7G20	7	130-49
AH117301	2E22	19	40-61	AH120972	5F23	14	110-11	AH122863	6G24	16	121-47
AH117301	5E19	10	90-81	AH120972	5H6	1	110-45	AH122863	6H4	36	121-51
AH117301	6F13	20	121-11	AH120978	6F5	5	121-3	AH122867	5E19	4	90-81
AH117418	3E21	15	50-87	AH121007	6G16	27	121-39	AH122874	7G16	6	130-45
AH117566	3G17	5	60-36	AH121007	7E16	3	125-77	AH122875	7G16	6	130-45
AH117643	6F7	6	121-5	AH121009	6C2	10	120-15	AH122977	7I16	..	170-27
AH117662	3H8	4	60-51	AH121009	6C11	9	120-25	AH122977	7I19	..	170-30
AH117782	1B24	3	20-13	AH121009	6C21	21	120-35	AH122977	7I21	..	170-33
AH117788	2F4	2	40-67	AH121009	6G6	10	121-29	AH123014	2C20	4	40-9
AH117789	2F4	17	40-67	AH121009	7E16	5	125-77	AH123015	2C20	4	40-9
AH117790	2F4	13	40-67	AH121009	7E18	1	125-79	AH123016	2C20	4	40-9
AH117791	2F4	14	40-67	AH121009	7E18	5	125-79	AH123017	2C20	4	40-9
AH118251	7E23	18	130-3	AH121046	7E12	19	125-73	AH123025	2E2	14	40-41
AH118337	3E4	11	50-69	AH121046	7E14	21	125-75	AH123025	3F15	10	60-9
AH118337	3E6	10	50-71	AH121047	7D22	31	125-59	AH123436	7G18	6	130-47
AH118337	3E8	10	50-73	AH121150	3D17	16	50-56	AH123437	7G18	6	130-47
AH118337	4D4	1	70-39	AH121190	2D2	8	40-15	AH123437	7G20	11	130-49
AH118796	2D17	1	40-30	AH121199	2D2	7	40-15	AH123602	7G12	11	130-41
AH118993	7H2	8	130-55	AH121216	6F5	..	121-3	AH123792	1B16	11	20-5
AH119047	5E24	11	90-86	AH121216	6F7	..	121-5	AH123900	2D19	1	40-33
AH119048	5E24	13	90-86	AH121216	6F13	3	121-11	AH123901	2D19	3	40-33
AH119770	6I2	18	121-73	AH121216	6F15	..	121-13	AH123902	2D19	2	40-33
AH119770	7B23	9	125-11	AH121234	2E20	9	40-59	AH123903	2D19	30	40-33
AH120160	4E11	7	70-73	AH121340	3G6	29	60-25	AH123904	2D19	35	40-33
AH120206	6F15	..	121-13	AH121340	5E11	29	90-73	AH123905	2D19	24	40-33
AH120210	5G25	31	110-39	AH121475	2E22	10	40-61	AH123907	2D19	21	40-33
AH120216	4G10	8	80-21	AH121475	2E24	3	40-63	AH123908	2D19	17	40-33
AH120419	5C21	4	90-32	AH121493	7B25	33	125-13	AH123909	2D19	28	40-33
AH120444	2C18	11	40-7	AH121580	3C5	18	50-17	AH123910	2D19	27	40-33
AH120444	5C24	11	90-35	AH121605	4C12	4	70-23	AH123911	2D19	29	40-33
AH120445	2C18	13	40-7	AH121606	3B18	10	50-5	AH123912	7G8	4	130-37
AH120445	5C24	13	90-35	AH121613	5B22	6	90-9	AH123913	6F15	18	121-13
AH120446	5C21	5	90-32	AH121643	4B22	6	70-9	AH123921	4G22	4A	80-33
AH120502	6B15	1	120-3	AH121657	6G2	24A	121-25	AH123931	2D21	3	40-35
AH120541	5C6	6	90-17	AH121658	6G2	13	121-25	AH123932	2D21	23	40-35
AH120546	5E15	10	90-77	AH121922	3C10	1	50-22	AH123933	2D21	26	40-35
AH120547	5E15	19	90-77	AH121923	3C10	1	50-22	AH123934	2D21	8	40-35
AH120570	2C18	5	40-7	AH121997	6C22	1	120-36	AH124006	3E10	23	50-75
AH120570	5C24	5	90-35	AH122018	6F17	9	121-15	AH124006	3E12	13	50-77
AH120637	3F17	2	60-11	AH122080	6D14	4	120-53	AH124008	3E4	9	50-69
AH120637	3F19	1	60-13	AH122080	6D22	5	120-61	AH124008	3E6	8	50-71
AH120637	3F21	32	60-15	AH122080	6E2	7	120-65	AH124008	3E8	8	50-73
AH120645	4G10	11	80-21	AH122080	6E6	5	120-69	AH124050	6H8	3	121-55
AH120736	3C11	7	50-23	AH122099	5C16	18	90-27	AH124376	6G4	43	121-27
AH120737	6F11	15	121-9	AH122099	5C18	5	90-29	AH124472	6C19	2	120-33
AH120738	6F9	10	121-7	AH122100	3H8	4	60-51	AH124502	7F16	19	130-21
AH120815	1B20	5	20-9	AH122139	2F22	5	40-85	AH124509	7G13	11	130-42
AH120817	1B20	14	20-9	AH122244	4G4	10	80-15	AH124567	2F2	1A	40-65
AH120836	1C7	1	20-20	AH122244	4G6	10	80-17	AH124573	6C19	9	120-33
AH120836	4E23	..	70-85	AH122250	3B18	11	50-5	AH124635	7B17	7	125-5
AH120836	4F4	1	70-91	AH122311	2F4	4	40-67	AH124635	7B19	5	125-7
AH120836	4F4	4	70-91	AH122352	3B16	16	50-3	AH124635	7B21	5	125-9
AH120836	5E21	6	90-83	AH122352	3B18	1	50-5	AH124731	4D10	3	70-45
AH120854	4F4	1	70-91	AH122444	5E15	13	90-77	AH124731	4D12	3	70-47
AH120872	3G16	16	60-35	AH122451	6G16	14	121-39	AH124731	4D14	3	70-49
AH120876	3G16	17	60-35	AH122495	5F21	10	110-9	AH124731	4D16	3	70-51
AH120887	5B22	1	90-9	AH122506	7E23	26	130-3	AH124731	4D17	3	70-52
AH120888	5B22	8	90-9	AH122507	7F22	8	130-27	AH124731	4D19	3	70-55
AH120889	5B22	2A	90-9	AH122575	3B24	8	50-11	AH124731	4D21	3	70-57
AH120890	5B22	7	90-9	AH122616	4H10	9	80-45	AH124731	4D23	3	70-59
AH120891	5B22	5	90-9	AH122619	4H10	18	80-45	AH124731	4D25	18	70-61
AH120892	5B18	9	90-5	AH122648	5D13	8	90-49	AH124731	4E2	18	70-63

NUMERICAL INDEX - CONTINUED

PART NO.	GRID	KEY	PAGE	PART NO.	GRID	KEY	PAGE	PART NO.	GRID	KEY	PAGE
AH124826	6G22	2	121 - 45	AH125601	7F2	5	130 - 7	AH125971	6E8	8A	120 - 71
AH124828	6G22	16	121 - 45	AH125627	2C16	1	40 - 5	AH125973	3H2	11A	60 - 45
AH124832	4C8	21	70 - 19	AH125640	4H8	2	80 - 43	AH125975	6D20	14	120 - 59
AH124833	2B15	15	30 - 5	AH125641	4H8	1	80 - 43	AH125975	6E4	17	120 - 67
AH124852	7G6	2	130 - 35	AH125642	4H8	3	80 - 43	AH125976	6E4	15A	120 - 67
AH124857	5E2	13	90 - 63	AH125643	5B20	4	90 - 7	AH125999	7B15	7	125 - 3
AH124878	7G6	3	130 - 35	AH125644	4H8	17	80 - 43	AH126007	7E10	34	125 - 71
AH124881	5C6	13	90 - 17	AH125644	7F22	6	130 - 27	AH126007	7E12	18	125 - 73
AH124882	5C6	11	90 - 17	AH125645	7G24	5	130 - 53	AH126007	7E14	20	125 - 75
AH124932	2D4	1	40 - 17	AH125646	7G24	6	130 - 53	AH126008	7E10	33	125 - 71
AH124937	6G2	16	121 - 25	AH125653	6G24	20	121 - 47	AH126013	4F21	1	80 - 7
AH124940	3B16	5	50 - 3	AH125653	6H2	6	121 - 49	AH126015	4F21	2	80 - 7
AH124945	2B13	18	30 - 3	AH125654	3H6	5	60 - 49	AH126016	4F21	3	80 - 7
AH124945	4G10	6	80 - 21	AH125655	3H6	6	60 - 49	AH126034	5E19	22	90 - 81
AH125010	2D25	14	40 - 39	AH125658	3G17	23	60 - 36	AH126034	5E21	20	90 - 83
AH125010	3C3	11	50 - 15	AH125672	2E16	10	40 - 55	AH126036	5E19	21	90 - 81
AH125010	5D2	11	90 - 37	AH125673	1B20	6	20 - 9	AH126036	5E21	4	90 - 83
AH125036	2E10	9	40 - 49	AH125684	4G8	3	80 - 19	AH126036	5E23	4	90 - 85
AH125036	2E18	24	40 - 57	AH125685	4G8	11	80 - 19	AH126044	5E21	2	90 - 83
AH125068	7G22	22	130 - 51	AH125686	4F21	5	80 - 7	AH126044	5E23	2	90 - 85
AH125070	7G24	15	130 - 53	AH125688	6F17	7	121 - 15	AH126052	7F16	14A	130 - 21
AH125070	7G24	16	130 - 53	AH125692	6D8	5	120 - 47	AH126091	5G25	11	110 - 39
AH125080	7G4	21	130 - 33	AH125692	6D8	7	120 - 47	AH126094	6H4	35	121 - 51
AH125193	6G4	37	121 - 27	AH125716	3E10	17	50 - 75	AH126097	6D20	7A	120 - 59
AH125193	6G4	39	121 - 27	AH125716	3E12	12	50 - 77	AH126119	6C23	3	120 - 37
AH125193	6G4	40	121 - 27	AH125733	4B23	2	70 - 10	AH126122	4D2	17	70 - 37
AH125196	5G17	19	110 - 31	AH125744	2E8	2	40 - 47	AH126169	3E19	7	50 - 84
AH125200	3H2	10	60 - 45	AH125744	2E16	24	40 - 55	AH126169	7D8	3	125 - 45
AH125200	6E4	8	120 - 67	AH125760	3C22	22	50 - 35	AH126181	4H4	1A	80 - 39
AH125200	6E8	6	120 - 71	AH125760	3C23	22	50 - 36	AH126188	6H4	24	121 - 51
AH125200	6E10	3	120 - 73	AH125760	3D2	22	50 - 41	AH126191	6C25	2	120 - 39
AH125201	6E4	13	120 - 67	AH125760	4B20	18	70 - 7	AH126192	3D25	14	50 - 65
AH125207	6F5	..	121 - 3	AH125760	4D25	2	70 - 61	AH126192	3D25	16	50 - 65
AH125207	6F13	3	121 - 11	AH125760	4E2	2	70 - 63	AH126194	3D25	11	50 - 65
AH125208	1B16	1	20 - 5	AH125760	4E5	21	70 - 67	AH126195	3D25	12	50 - 65
AH125226	3H4	5	60 - 47	AH125760	4F8	11	70 - 95	AH126206	7D22	8	125 - 59
AH125228	3C5	16	50 - 17	AH125782	5F21	14	110 - 9	AH126214	6D8	3	120 - 47
AH125233	3C12	6	50 - 25	AH125782	5H14	25	110 - 53	AH126221	7B25	9	125 - 13
AH125240	2D2	33	40 - 15	AH125783	5F21	5	110 - 9	AH126239	7D22	32	125 - 59
AH125243	6F19	..	121 - 17	AH125785	5E2	6	90 - 63	AH126240	4D6	18	70 - 41
AH125243	6F21	17	121 - 19	AH125787	4G10	17	80 - 21	AH126242	3E10	31	50 - 75
AH125243	6F23	..	121 - 21	AH125788	4G10	16	80 - 21	AH126242	4D6	21	70 - 41
AH125243	6F25	..	121 - 23	AH125792	4G16	5	80 - 27	AH126254	3G4	4	60 - 23
AH125261	7F22	4	130 - 27	AH125793	4G16	14	80 - 27	AH126265	5C2	..	90 - 13
AH125293	6F11	..	121 - 9	AH125794	4G16	10	80 - 27	AH126265	5C4	1	90 - 15
AH125295	6F15	..	121 - 13	AH125814	7F24	41	130 - 29	AH126272	2E16	3	40 - 55
AH125306	4G24	1	80 - 35	AH125820	4G20	10	80 - 31	AH126275	7F24	35	130 - 29
AH125306	7F24	30	130 - 29	AH125821	4G20	11	80 - 31	AH126276	6F17	18	121 - 15
AH125391	6E22	3A	120 - 85	AH125895	7E12	9	125 - 73	AH126279	7F24	6	130 - 29
AH125391	7G2	4	130 - 31	AH125895	7E14	9	125 - 75	AH126280	7G10	1	130 - 39
AH125398	6G4	29	121 - 27	AH125910	4C18	18	70 - 29	AH126281	7G10	4	130 - 39
AH125454	5H12	3	110 - 51	AH125910	7H10	5	160 - 1	AH126282	7G10	10	130 - 39
AH125478	4H2	1	80 - 37	AH125910	7H13	18	160 - 4	AH126283	7G10	6	130 - 39
AH125478	7F24	18	130 - 29	AH125941	3E16	28	50 - 81	AH126284	7G10	11	130 - 39
AH125485	2F22	10	40 - 85	AH125949	7G2	1	130 - 31	AH126295	6B25	4A	120 - 13
AH125490	6F9	11	121 - 7	AH125958	3C3	17	50 - 15	AH126352	4H10	21	80 - 45
AH125505	5E15	24	90 - 77	AH125958	5D2	17	90 - 37	AH126354	7F4	6	130 - 9
AH125514	5G8	7	110 - 21	AH125963	5C2	8	90 - 13	AH126358	2C14	6	40 - 3
AH125541	5D6	9	90 - 41	AH125966	6E8	9A	120 - 71	AH126388	7D22	18	125 - 59
AH125554	7E25	5	130 - 5	AH125966	6E10	2A	120 - 73	AH126389	4C4	9	70 - 15
AH125556	7H3	6	130 - 56	AH125967	6D20	1B	120 - 59	AH126402	3B18	2	50 - 5
AH125558	7E25	9	130 - 5	AH125967	6D20	2A	120 - 59	AH126417	5G17	6	110 - 31
AH125563	6G4	10	121 - 27	AH125969	6E4	10	120 - 67	AH126417	5G21	6	110 - 35
AH125574	4F21	22A	80 - 7	AH125969	6E10	12	120 - 73	AH126538	6G20	3	121 - 43
AH125575	4F21	19	80 - 7	AH125970	6E4	10	120 - 67	AH126541	2E24	7	40 - 63
AH125587	3B23	1	50 - 10	AH125970	6E10	12	120 - 73	AH126555	2E16	2	40 - 55
AH125588	3B23	1	50 - 10	AH125971	6E4	6A	120 - 67	AH126564	4H6	11	80 - 41

NUMERICAL INDEX - CONTINUED

PART NO.	GRID	KEY	PAGE	PART NO.	GRID	KEY	PAGE	PART NO.	GRID	KEY	PAGE
AH126619	7F22	14	130 - 27	AH127986	6C5	23	120 - 19	AH128452	5F19	12	110 - 7
AH126620	4H10	24	80 - 45	AH128014	4H6	8	80 - 41	AH128458	6D16	4	120 - 55
AH126657	3G10	14	60 - 29	AH128037	7F24	9	130 - 29	AH128461	6E8	1	120 - 71
AH126657	3G12	10	60 - 31	AH128038	7G8	15	130 - 37	AH128464	6E4	2	120 - 67
AH126657	4B18	6	70 - 5	AH128045	3B22	1	50 - 9	AH128467	3H2	8A	60 - 45
AH126657	4C2	14	70 - 13	AH128073	5G23	1	110 - 37	AH128528	3C5	1	50 - 17
AH126657	4C6	8	70 - 17	AH128074	7H2	37	130 - 55	AH128531	6E12	8	120 - 75
AH126657	4C8	5	70 - 19	AH128075	7H2	37	130 - 55	AH128554	7F22	27	130 - 27
AH126657	4C10	16	70 - 21	AH128239	5G23	9	110 - 37	AH128584	4C4	4	70 - 15
AH126677	7D22	13	125 - 59	AH128250	7B17	12	125 - 5	AH128585	5B24	13	90 - 11
AH126705	7G24	16	130 - 53	AH128257	1C7	2	20 - 20	AH128596	4G24	7	80 - 35
AH126719	6C2	13	120 - 15	AH128257	2C4	5	30 - 19	AH128597	4H2	12	80 - 37
AH126720	6C2	12	120 - 15	AH128258	1C7	2	20 - 20	AH128598	4H2	10	80 - 37
AH126808	3G20	2	60 - 39	AH128258	2C4	5	30 - 19	AH128598	4H6	17	80 - 41
AH126811	2D2	5	40 - 15	AH128267	3C1	10	50 - 13	AH128610	5C10	23	90 - 21
AH126831	2C12	3	40 - 1	AH128307	6D8	16	120 - 47	AH128610	5C12	15	90 - 23
AH126834	5B18	8	90 - 5	AH128313	6D6	31	120 - 45	AH128618	6D8	5	120 - 47
AH126836	7G24	19	130 - 53	AH128327	2C19	3	40 - 8	AH128618	6D8	7	120 - 47
AH126836	7H18	2	170 - 4	AH128328	2C19	3	40 - 8	AH128633	2B13	22	30 - 3
AH126853	4G16	15	80 - 27	AH128328	2F12	6	40 - 75	AH128639	4D8	10	70 - 43
AH126865	7E8	13	125 - 69	AH128349	5B16	10	90 - 3	AH128640	4D8	8	70 - 43
AH126880	6C13	9	120 - 27	AH128357	3C3	19	50 - 15	AH128641	4E9	1	70 - 71
AH127273	4G16	15	80 - 27	AH128357	5D2	19	90 - 37	AH128642	4E9	12	70 - 71
AH127274	4G16	5	80 - 27	AH128359	7B17	7	125 - 5	AH128649	5F23	24	110 - 11
AH127275	4H2	6	80 - 37	AH128359	7B19	5	125 - 7	AH128654	3D19	14	50 - 58
AH127383	5D4	14	90 - 39	AH128359	7B21	5	125 - 9	AH128654	3F7	14	60 - 1
AH127383	5F19	14	110 - 7	AH128360	6C21	7	120 - 35	AH128654	4F9	14	70 - 96
AH127390	5E2	8	90 - 63	AH128361	6C21	9	120 - 35	AH128655	2E20	21	40 - 59
AH127396	7E25	9	130 - 5	AH128383	6H10	5	121 - 57	AH128655	3D19	16	50 - 58
AH127426	6D22	11	120 - 61	AH128384	6H10	1	121 - 57	AH128655	3F7	16	60 - 1
AH127435	6E2	10	120 - 65	AH128384	6H12	1	121 - 59	AH128655	4F8	28	70 - 95
AH127465	6D14	9	120 - 53	AH128384	6H14	1	121 - 61	AH128655	4F9	6	70 - 96
AH127465	6D22	10	120 - 61	AH128385	6H10	5	121 - 57	AH128655	4F9	9	70 - 96
AH127465	6D24	12	120 - 63	AH128385	6H12	5	121 - 59	AH128655	4F9	12	70 - 96
AH127469	6E2	1	120 - 65	AH128391	3C14	5	50 - 27	AH128655	4F9	16	70 - 96
AH127477	6D14	10	120 - 53	AH128397	2F22	11	40 - 85	AH128663	7E10	20	125 - 71
AH127477	6D22	2	120 - 61	AH128401	2D6	3	40 - 19	AH128664	7E6	2	125 - 67
AH127477	6E6	2	120 - 69	AH128401	2D25	16	40 - 39	AH128664	7E10	24	125 - 71
AH127496	6H8	4	121 - 55	AH128402	2D10	2	40 - 23	AH128665	1B16	18	20 - 5
AH127599	3G19	1	60 - 38	AH128405	2E22	20	40 - 61	AH128672	3D17	1	50 - 56
AH127601	6I2	37	121 - 73	AH128406	2D25	17	40 - 39	AH128672	3D18	1	50 - 57
AH127602	6I2	37	121 - 73	AH128406	2E2	4	40 - 41	AH128673	4G12	15	80 - 23
AH127604	7H3	14	130 - 56	AH128406	2E4	1	40 - 43	AH128674	6I2	36	121 - 73
AH127611	6C2	26	120 - 15	AH128406	2E6	11	40 - 45	AH128675	6H22	16A	121 - 69
AH127662	5D8	8	90 - 43	AH128406	7H12	3	160 - 3	AH128682	7G16	6	130 - 45
AH127674	5B18	2	90 - 5	AH128407	2E18	25	40 - 57	AH128692	3E19	1	50 - 84
AH127677	2F22	6	40 - 85	AH128407	2E20	31	40 - 59	AH128697	4G16	1	80 - 27
AH127684	5E19	6	90 - 81	AH128413	2F13	7	40 - 76	AH128723	3F23	29	60 - 17
AH127685	5E19	7	90 - 81	AH128414	2F13	1	40 - 76	AH128727	7H10	1	160 - 1
AH127704	4H2	8	80 - 37	AH128415	2C14	1	40 - 3	AH128732	7E23	12	130 - 3
AH127716	4G24	9	80 - 35	AH128415	2D4	14	40 - 17	AH128736	6E12	1	120 - 75
AH127718	2C19	2	40 - 8	AH128418	2E6	1	40 - 45	AH128738	3E6	1	50 - 71
AH127718	2F12	4	40 - 75	AH128418	2E8	1	40 - 47	AH128742	4D6	12	70 - 41
AH127726	6D8	2	120 - 47	AH128419	2C24	1	40 - 13	AH128744	3G4	9	60 - 23
AH127829	6C15	15	120 - 29	AH128423	2E16	15	40 - 55	AH128753	4C12	21	70 - 23
AH127837	4G8	13	80 - 19	AH128447	4C16	2A	70 - 27	AH128757	3E21	21	50 - 87
AH127866	7H2	45	130 - 55	AH128447	5G2	4A	110 - 15	AH128761	3E21	19	50 - 87
AH127866	7H19	4	170 - 5	AH128448	2E20	19	40 - 59	AH128769	3E10	12	50 - 75
AH127871	6D14	13	120 - 53	AH128448	4F6	13	70 - 93	AH128771	3E10	13	50 - 75
AH127881	3D25	13	50 - 65	AH128449	3C22	24	50 - 35	AH128773	4E23	3	70 - 85
AH127881	3E2	15	50 - 67	AH128449	3C23	24	50 - 36	AH128774	4E23	4	70 - 85
AH127881	3E4	12	50 - 69	AH128449	4B23	1	70 - 10	AH128775	3E10	3	50 - 75
AH127887	4B21	1	70 - 8	AH128449	4F6	11	70 - 93	AH128776	3E10	4	50 - 75
AH127887	4B21	..	70 - 8	AH128449	4F6	13	70 - 93	AH128777	4E23	23	70 - 85
AH127887	7C18	14	125 - 31	AH128450	4F6	10	70 - 93	AH128777	4E25	18	70 - 87
AH127892	4D8	3	70 - 43	AH128451	4F6	5	70 - 93	AH128778	4E23	17	70 - 85
AH127974	5F9	15	90 - 97	AH128452	5D4	12	90 - 39	AH128778	4E25	11	70 - 87

NUMERICAL INDEX - CONTINUED

PART NO.	GRID	KEY	PAGE	PART NO.	GRID	KEY	PAGE	PART NO.	GRID	KEY	PAGE
AH128779	4E23	18	70 - 85	AH129245	4E13	4	70 - 75	AH130186	6D22	1	120 - 61
AH128779	4E25	12	70 - 87	AH129245	4E13	5	70 - 75	AH130189	6E2	4	120 - 65
AH128779	4F2	12	70 - 89	AH129245	4E13	6	70 - 75	AH130193	4G10	15	80 - 21
AH128780	4E23	22	70 - 85	AH129245	4E13	7	70 - 75	AH130197	4G20	18	80 - 31
AH128780	4E25	17	70 - 87	AH129245	4E13	8	70 - 75	AH130198	7F24	31	130 - 29
AH128780	4F2	11	70 - 89	AH129245	4E13	11	70 - 75	AH130202	6B17	13	120 - 5
AH128785	2E20	24	40 - 59	AH129245	4E13	12	70 - 75	AH130202	6B19	14	120 - 7
AH128785	4F8	..	70 - 95	AH129245	4E19	11	70 - 81	AH130202	6B21	14	120 - 9
AH128842	3F19	22	60 - 13	AH129255	3G6	18	60 - 25	AH130209	4B18	17	70 - 5
AH128842	3F23	30	60 - 17	AH129255	5E11	18	90 - 73	AH130212	3G10	34	60 - 29
AH128843	3F19	23	60 - 13	AH129272	6C19	13	120 - 33	AH130213	4C2	24	70 - 13
AH128843	3F23	30	60 - 17	AH129278	3C18	3	50 - 31	AH130222	2E4	2	40 - 43
AH128849	2G14	2	40 - 101	AH129280	3D3	15	50 - 42	AH130230	2B23	12	30 - 13
AH128851	4D2	8	70 - 37	AH129284	3C25	8	50 - 39	AH130230	2B25	10	30 - 15
AH128853	4D8	5	70 - 43	AH129317	4C16	7	70 - 27	AH130231	6C5	11	120 - 19
AH128854	4E9	17	70 - 71	AH129323	4B20	6	70 - 7	AH130232	6C5	11	120 - 19
AH128855	4E9	16	70 - 71	AH129355	7E25	5	130 - 5	AH130358	6C5	12	120 - 19
AH128859	4C4	22	70 - 15	AH129357	7E25	9	130 - 5	AH130370	7F4	17	130 - 9
AH128860	7H3	7	130 - 56	AH129363	7F2	5	130 - 7	AH130393	4H8	7	80 - 43
AH128861	7H2	23	130 - 55	AH129375	6C13	8	120 - 27	AH130412	3F19	19	60 - 13
AH128864	3G19	13	60 - 38	AH129407	2B17	11A	30 - 7	AH130413	3F19	20	60 - 13
AH128865	2G14	13	40 - 101	AH129409	2B17	17	30 - 7	AH130416	3F19	5	60 - 13
AH128889	3F9	22	60 - 3	AH129415	4E23	13	70 - 85	AH130417	3F19	6	60 - 13
AH128894	3F13	5	60 - 7	AH129420	6H4	4	121 - 51	AH130421	2D21	7	40 - 35
AH128894	4F11	5	70 - 99	AH129420	6H8	11	121 - 55	AH130423	1B16	22	20 - 5
AH128903	6H18	5	121 - 65	AH129451	4F18	3	80 - 4	AH130424	6C25	12	120 - 39
AH128904	2D2	9	40 - 15	AH129451	6D2	20	120 - 41	AH130425	6C25	22	120 - 39
AH128906	2E22	18	40 - 61	AH129451	6H4	44	121 - 51	AH130429	3G8	47	60 - 27
AH128906	7G12	3A	130 - 41	AH129452	4F18	1	80 - 4	AH130429	5E13	47	90 - 75
AH128909	6E10	13	120 - 73	AH129452	6D2	22	120 - 41	AH130435	3G8	36	60 - 27
AH128914	4G20	17	80 - 31	AH129452	6H4	46	121 - 51	AH130435	5E13	36	90 - 75
AH128924	7H12	12	160 - 3	AH130083	2C4	9	30 - 19	AH130445	3F4	4	50 - 95
AH128925	2D10	3	40 - 23	AH130086	2C4	2	30 - 19	AH130445	3F13	6	60 - 7
AH128925	2D12	17	40 - 25	AH130094	4G12	3	80 - 23	AH130447	3E16	12	50 - 81
AH128925	2D16	2	40 - 29	AH130098	2C2	2	30 - 17	AH130447	3E18	12	50 - 83
AH128925	5E17	6	90 - 79	AH130099	2B23	11	30 - 13	AH130448	4D2	11	70 - 37
AH128926	2D10	8	40 - 23	AH130099	2B25	9	30 - 15	AH130449	3E19	3	50 - 84
AH128926	2D12	7	40 - 25	AH130099	2B25	13	30 - 15	AH130463	4G4	7	80 - 15
AH128926	5E17	2	90 - 79	AH130100	2B25	9	30 - 15	AH130465	6C7	13	120 - 21
AH128927	2E20	22	40 - 59	AH130100	2B25	13	30 - 15	AH130466	3G10	33	60 - 29
AH128927	4F8	15	70 - 95	AH130102	2F22	12	40 - 85	AH130469	3F19	2	60 - 13
AH128929	2E4	18	40 - 43	AH130105	5G25	1	110 - 39	AH130477	6D8	21	120 - 47
AH128929	3F13	16	60 - 7	AH130113	4C12	13	70 - 23	AH130481	4H10	8A	80 - 45
AH128929	4F11	11	70 - 99	AH130119	3G16	9	60 - 35	AH130486	6D22	11	120 - 61
AH128976	2C2	3	30 - 17	AH130123	6C25	3	120 - 39	AH130487	3G14	8	60 - 33
AH128986	2E24	22	40 - 63	AH130126	3G2	32	60 - 21	AH130489	3G14	7	60 - 33
AH128990	3F7	18	60 - 1	AH130126	3G8	27	60 - 27	AH130497	4F25	18	80 - 11
AH128990	3F13	14	60 - 7	AH130126	5E13	27	90 - 75	AH130497	4G2	18	80 - 13
AH128992	4E25	3	70 - 87	AH130127	2B15	7	30 - 5	AH130506	4G4	12	80 - 15
AH128993	3E12	3	50 - 77	AH130129	2C16	3	40 - 5	AH130506	4G6	12	80 - 17
AH128997	3D21	4	50 - 61	AH130132	4H10	23	80 - 45	AH130510	4F23	15	80 - 9
AH129045	2E4	8	40 - 43	AH130136	7E10	4	125 - 71	AH130513	2B23	15	30 - 13
AH129056	2B13	14	30 - 3	AH130151	6D14	13	120 - 53	AH130515	4F23	6	80 - 9
AH129056	2B17	6	30 - 7	AH130154	6D14	13	120 - 53	AH130517	3G18	1	60 - 37
AH129058	2B17	8	30 - 7	AH130160	6E6	11	120 - 69	AH130529	2B13	26	30 - 3
AH129066	7G16	6	130 - 45	AH130166	6E6	10	120 - 69	AH130545	5G2	2	110 - 15
AH129194	4F25	15	80 - 11	AH130167	6E6	1	120 - 69	AH130548	4F23	8	80 - 9
AH129195	4F25	5	80 - 11	AH130168	4D9	6	70 - 44	AH130560	4C8	14	70 - 19
AH129195	4G2	5	80 - 13	AH130172	4F25	22	80 - 11	AH130561	4C6	28	70 - 17
AH129196	4F25	13	80 - 11	AH130175	5F15	31	110 - 3	AH130561	4C8	2	70 - 19
AH129228	4F25	17	80 - 11	AH130176	5G2	3	110 - 15	AH130563	4C2	8	70 - 13
AH129228	4G2	17	80 - 13	AH130177	4G4	19	80 - 15	AH130564	4C2	4	70 - 13
AH129233	4C6	26	70 - 17	AH130180	4B20	25	70 - 7	AH130565	5F23	6	110 - 11
AH129236	3G8	39	60 - 27	AH130180	7D6	12	125 - 43	AH130565	5F25	22	110 - 13
AH129236	5E13	39	90 - 75	AH130180	7D10	26	125 - 47	AH130567	3E10	25	50 - 75
AH129244	4D6	4	70 - 41	AH130185	6D14	9	120 - 53	AH130567	4D4	10	70 - 39
AH129245	4E13	3	70 - 75	AH130186	6D14	3	120 - 53	AH130568	4D4	8	70 - 39

NUMERICAL INDEX - CONTINUED

PART NO.	GRID	KEY	PAGE	PART NO.	GRID	KEY	PAGE	PART NO.	GRID	KEY	PAGE
AH130570	7D22	28	125 - 59	AH131045	3F24	5	60 - 18	AH131299	3F11	15	60 - 5
AH130570	7E3	9	125 - 64	AH131045	3F24	6	60 - 18	AH131300	3E16	26	50 - 81
AH130571	7E3	3	125 - 64	AH131048	3F24	9	60 - 18	AH131301	4F23	19	80 - 9
AH130572	7D22	24	125 - 59	AH131049	3F24	9	60 - 18	AH131302	3G12	25	60 - 31
AH130581	4E9	5	70 - 71	AH131051	3F23	12	60 - 17	AH131303	4C2	2	70 - 13
AH130582	6G2	4	121 - 25	AH131054	3F23	19	60 - 17	AH131303	4C8	23	70 - 19
AH130586	5C20	14	90 - 31	AH131055	3F23	19	60 - 17	AH131303	5G23	16	110 - 37
AH130592	6I8	14	121 - 79	AH131058	3F23	7	60 - 17	AH131304	4E7	13	70 - 69
AH130593	6I6	10	121 - 77	AH131059	3F23	7	60 - 17	AH131305	3C16	..	50 - 29
AH130594	5C4	6	90 - 15	AH131062	3F23	28	60 - 17	AH131305	3C18	..	50 - 31
AH130595	5C4	13	90 - 15	AH131070	6G12	5	121 - 35	AH131305	3C20	..	50 - 33
AH130602	2E10	7	40 - 49	AH131071	2F14	7	40 - 77	AH131305	3F2	3	50 - 93
AH130602	2E12	12	40 - 51	AH131074	7E3	10	125 - 64	AH131305	3F2	6	50 - 93
AH130603	2E10	1	40 - 49	AH131080	7E4	1	125 - 65	AH131308	3D3	6	50 - 42
AH130603	2E12	7	40 - 51	AH131085	7E10	30	125 - 71	AH131310	3D2	1	50 - 41
AH130605	3F19	16	60 - 13	AH131089	4B21	..	70 - 8	AH131310	3D2	16	50 - 41
AH130610	5F9	14	90 - 97	AH131105	5G25	9	110 - 39	AH131310	3D2	24	50 - 41
AH130611	3E16	7	50 - 81	AH131106	5G25	8	110 - 39	AH131310	3D2	..	50 - 41
AH130611	3E18	7	50 - 83	AH131108	5E2	18	90 - 63	AH131310	3E24	1	50 - 91
AH130612	3F19	17	60 - 13	AH131165	7C14	27	125 - 27	AH131311	4C10	6	70 - 21
AH130613	3F19	18	60 - 13	AH131166	7C14	19	125 - 27	AH131312	4C8	13	70 - 19
AH130620	7C2	44	125 - 15	AH131167	3C22	28	50 - 35	AH131316	3G12	24	60 - 31
AH130621	7B25	18	125 - 13	AH131168	3C25	28	50 - 39	AH131317	4B18	18	70 - 5
AH130629	4D8	7	70 - 43	AH131169	3C16	9	50 - 29	AH131319	6D6	19	120 - 45
AH130865	3E21	20	50 - 87	AH131169	3C17	9	50 - 30	AH131320	2E13	5	40 - 52
AH130870	5G17	20	110 - 31	AH131169	3D2	2	50 - 41	AH131322	4C2	23	70 - 13
AH130871	3H6	12	60 - 49	AH131170	3C22	15	50 - 35	AH131326	4D10	19	70 - 45
AH130871	3H6	19	60 - 49	AH131171	3C16	17	50 - 29	AH131326	4D12	33	70 - 47
AH130884	7E5	3	125 - 66	AH131171	3C17	10	50 - 30	AH131326	4D14	21	70 - 49
AH130886	7E2	21	125 - 63	AH131171	3D2	3	50 - 41	AH131326	4D16	25	70 - 51
AH130890	3G16	8	60 - 35	AH131171	3D2	6	50 - 41	AH131326	4D17	23	70 - 52
AH130892	7E2	17	125 - 63	AH131171	3D2	7	50 - 41	AH131326	4D19	26	70 - 55
AH130893	7E2	17	125 - 63	AH131171	3D2	8	50 - 41	AH131326	4D21	24	70 - 57
AH130894	5G2	1	110 - 15	AH131171	3D2	10	50 - 41	AH131326	4D23	24	70 - 59
AH130895	4C6	18	70 - 17	AH131171	3D2	11	50 - 41	AH131326	4D25	9	70 - 61
AH130896	4C10	5	70 - 21	AH131171	3D2	13	50 - 41	AH131326	4E2	9	70 - 63
AH130900	3B21	4	50 - 8	AH131172	3C20	29	50 - 33	AH131327	4D10	25	70 - 45
AH130906	6C17	7	120 - 31	AH131172	3C21	10	50 - 34	AH131327	4D25	13	70 - 61
AH130914	5C4	4	90 - 15	AH131173	3D3	19	50 - 42	AH131327	4E2	13	70 - 63
AH130936	4B24	5	70 - 11	AH131174	3D3	15	50 - 42	AH131328	4D10	..	70 - 45
AH130940	6B15	2	120 - 3	AH131176	4E7	..	70 - 69	AH131329	7F6	11	130 - 11
AH130941	4G20	3	80 - 31	AH131176	7D16	11	125 - 53	AH131329	7F16	1	130 - 21
AH130944	4G20	7	80 - 31	AH131178	4E7	17	70 - 69	AH131331	6C13	3	120 - 27
AH130945	4G20	6	80 - 31	AH131180	4E23	12	70 - 85	AH131332	4B22	8	70 - 9
AH130946	4H10	5	80 - 45	AH131181	4E5	..	70 - 67	AH131334	4D9	3	70 - 44
AH130947	7B25	21	125 - 13	AH131182	3F2	7	50 - 93	AH131348	6E20	7A	120 - 83
AH130948	7B25	5	125 - 13	AH131182	4E5	26	70 - 67	AH131350	6E20	7A	120 - 83
AH130948	7C10	1	125 - 23	AH131197	7F8	6	130 - 13	AH131371	7F8	6	130 - 13
AH130949	3D19	15	50 - 58	AH131206	7F8	10	130 - 13	AH131378	4C12	7	70 - 23
AH130949	3F7	15	60 - 1	AH131213	6D14	14	120 - 53	AH131381	3G10	30	60 - 29
AH130949	4F9	6	70 - 96	AH131213	6D22	12	120 - 61	AH131382	3G10	29	60 - 29
AH130949	4F9	9	70 - 96	AH131213	6E2	14	120 - 65	AH131391	3C20	3	50 - 33
AH130949	4F9	12	70 - 96	AH131213	6E6	12	120 - 69	AH131391	3C20	5	50 - 33
AH130949	4F9	15	70 - 96	AH131213	7E2	26	125 - 63	AH131391	3C20	11	50 - 33
AH130950	3D17	15	50 - 56	AH131215	6D14	13	120 - 53	AH131391	3C20	..	50 - 33
AH130951	4F25	10	80 - 11	AH131217	6E6	11	120 - 69	AH131391	3D2	33	50 - 41
AH130954	4F23	1	80 - 9	AH131219	6E6	11	120 - 69	AH131391	3D2	34	50 - 41
AH130957	2D10	7	40 - 23	AH131237	7F18	2	130 - 23	AH131391	3D2	35	50 - 41
AH130957	5E19	1	90 - 81	AH131238	7F18	3	130 - 23	AH131391	3D2	..	50 - 41
AH130957	5F9	18	90 - 97	AH131239	7G6	7	130 - 35	AH131403	5D6	2	90 - 41
AH130964	7C14	41	125 - 27	AH131240	7G8	1	130 - 37	AH131404	4D12	38	70 - 47
AH130982	7E12	15	125 - 73	AH131241	7G8	1	130 - 37	AH131404	4D25	12	70 - 61
AH130982	7E14	17	125 - 75	AH131248	6H8	28	121 - 55	AH131405	4D12	34	70 - 47
AH130988	6D6	28	120 - 45	AH131249	6H8	31	121 - 55	AH131405	4D19	25	70 - 55
AH130996	6E2	10	120 - 65	AH131250	4C20	3	70 - 31	AH131405	4D21	25	70 - 57
AH131045	3F24	2	60 - 18	AH131250	4C22	5	70 - 33	AH131405	4D25	8	70 - 61
AH131045	3F24	4	60 - 18	AH131250	4C24	5	70 - 35	AH131405	4E2	8	70 - 63

NUMERICAL INDEX - CONTINUED

PART NO.	GRID	KEY	PAGE	PART NO.	GRID	KEY	PAGE	PART NO.	GRID	KEY	PAGE
AH131419	4D14	13	70 - 49	AH132116	3B21	4	50 - 8	AH133128	3F21	29	60 - 15
AH131419	4D14	22	70 - 49	AH132117	5C2	16	90 - 13	AH133128	3F21	33	60 - 15
AH131419	4D25	11	70 - 61	AH132128	3B21	4	50 - 8	AH133128	3F21	..	60 - 15
AH131420	4D14	..	70 - 49	AH132147	5C10	15	90 - 21	AH133151	4C22	2	70 - 33
AH131421	4D14	..	70 - 49	AH132148	5C4	17	90 - 15	AH133151	4C24	2	70 - 35
AH131423	2F20	2	40 - 83	AH132157	6D10	9	120 - 49	AH133156	6C7	1	120 - 21
AH131424	5C6	1	90 - 17	AH132158	6D10	11	120 - 49	AH133157	6C7	23	120 - 21
AH131460	4D16	18	70 - 51	AH132161	4D10	..	70 - 45	AH133157	6C15	20	120 - 29
AH131460	4D19	18	70 - 55	AH132162	4D10	24	70 - 45	AH133160	3G10	34	60 - 29
AH131461	4D16	24	70 - 51	AH132189	6G18	14	121 - 41	AH133161	3G10	33	60 - 29
AH131461	4D19	24	70 - 55	AH132190	6G18	10	121 - 41	AH133191	6E20	1	120 - 83
AH131461	4D25	10	70 - 61	AH132200	7D10	9	125 - 47	AH133191	6H4	8	121 - 51
AH131508	6H6	15	121 - 53	AH132201	7D10	16	125 - 47	AH133191	6H8	18	121 - 55
AH131535	4C20	26	70 - 31	AH132202	4C22	25	70 - 33	AH133191	6I2	29	121 - 73
AH131535	4C22	30	70 - 33	AH132203	4C20	22	70 - 31	AH133191	6I4	28	121 - 75
AH131535	4C24	22	70 - 35	AH132203	4C22	26	70 - 33	AH133191	7G22	18	130 - 51
AH131541	2B17	19	30 - 7	AH132208	2F22	4	40 - 85	AH133191	7G24	3	130 - 53
AH131545	3G10	19	60 - 29	AH132210	4E13	16	70 - 75	AH133191	7H2	28	130 - 55
AH131546	3G10	18	60 - 29	AH132230	7G18	19	130 - 47	AH133196	7D12	17	125 - 49
AH131550	7F8	12	130 - 13	AH132230	7G20	24	130 - 49	AH133226	4F23	6	80 - 9
AH131559	7G10	1	130 - 39	AH132264	2D10	7	40 - 23	AH133265	4C20	14	70 - 31
AH131570	4C18	15	70 - 29	AH132264	2D12	6	40 - 25	AH133265	4C22	16	70 - 33
AH131570	7H13	15	160 - 4	AH132264	5E19	1	90 - 81	AH133285	4C20	7	70 - 31
AH131571	4C18	10	70 - 29	AH132264	5F9	18	90 - 97	AH133285	4C20	8	70 - 31
AH131571	7H13	10	160 - 4	AH132346	6G16	14	121 - 39	AH133285	4C20	9	70 - 31
AH131572	4C18	9	70 - 29	AH132356	6D4	16	120 - 43	AH133285	4C20	10	70 - 31
AH131572	7H13	9	160 - 4	AH132356	6D12	8	120 - 51	AH133285	4C20	11	70 - 31
AH131575	3F11	10	60 - 5	AH132359	7C24	4	125 - 37	AH133285	4C20	12	70 - 31
AH131576	4C12	18	70 - 23	AH132361	4F17	4	80 - 3	AH133285	4C20	27	70 - 31
AH131578	3F11	7	60 - 5	AH132361	7C24	2	125 - 37	AH133285	4C22	7	70 - 33
AH131699	3C5	..	50 - 17	AH132361	7D2	11	125 - 39	AH133285	4C22	8	70 - 33
AH131741	7D24	7	125 - 61	AH132367	6C7	15	120 - 21	AH133285	4C22	9	70 - 33
AH131747	5C10	28	90 - 21	AH132372	7F14	24	130 - 19	AH133285	4C22	10	70 - 33
AH131808	7E2	25	125 - 63	AH132372	7F16	21	130 - 21	AH133285	4C22	11	70 - 33
AH131829	5H8	1	110 - 47	AH132759	7D4	4	125 - 41	AH133285	4C22	12	70 - 33
AH131830	7F4	15	130 - 9	AH132783	5C21	2	90 - 32	AH133285	4C22	31	70 - 33
AH131842	4E7	3	70 - 69	AH132785	6D22	11	120 - 61	AH133287	6C7	19	120 - 21
AH131842	7D16	3	125 - 53	AH132787	6D22	10	120 - 61	AH133289	6C7	19	120 - 21
AH131843	5C16	1	90 - 27	AH132788	7F8	19	130 - 13	AH133290	2B23	19	30 - 13
AH131844	5C8	2	90 - 19	AH132803	2B25	14	30 - 15	AH133290	2B25	15	30 - 15
AH131845	5C8	2	90 - 19	AH132806	7F2	10	130 - 7	AH133316	2G18	12	40 - 105
AH131847	5C8	8	90 - 19	AH132809	7F8	17	130 - 13	AH133373	7E23	12	130 - 3
AH131848	5C8	8	90 - 19	AH132814	2B13	1	30 - 3	AH133494	5G25	31	110 - 39
AH131848	5C10	24	90 - 21	AH132819	5C2	13	90 - 13	AH133498	5C8	8	90 - 19
AH131849	5C8	8	90 - 19	AH132823	6E20	10	120 - 83	AH133499	5C8	8	90 - 19
AH131851	5C8	2	90 - 19	AH132827	6D8	19	120 - 47	AH133499	5C10	33	90 - 21
AH131860	7F14	18	130 - 19	AH132830	5G17	20	110 - 31	AH133499	5C12	21	90 - 23
AH131861	3C5	33	50 - 17	AH132832	4B16	4	70 - 3	AH133500	5C8	8	90 - 19
AH131862	3C7	17	50 - 19	AH132839	3E10	24	50 - 75	AH133660	3C16	29	50 - 29
AH131865	7B25	41	125 - 13	AH132840	3F23	24	60 - 17	AH133661	3D2	27	50 - 41
AH131873	7F14	6	130 - 19	AH132852	7C20	3	125 - 33	AH133752	3G4	8	60 - 23
AH131874	3G14	9	60 - 33	AH132855	7E2	27	125 - 63	AH133758	7D10	2	125 - 47
AH131875	3G14	10	60 - 33	AH132859	6D10	7	120 - 49	AH133759	7D8	2	125 - 45
AH131876	4C4	8	70 - 15	AH132860	6D10	1	120 - 49	AH133770	7D8	11	125 - 45
AH131881	5C16	12	90 - 27	AH132885	6C13	1	120 - 27	AH133830	4F21	22A	80 - 7
AH131903	7F8	19	130 - 13	AH132885	6C13	12	120 - 27	AH133844	3B21	4	50 - 8
AH131960	6C21	12	120 - 35	AH132988	7D6	2	125 - 43	AH133896	2E20	11	40 - 59
AH131960	6H6	3	121 - 53	AH132991	7F8	3	130 - 13	AH133941	3E18	32	50 - 83
AH131960	7H19	3	170 - 5	AH133088	5B22	..	90 - 9	AH133942	3E18	33	50 - 83
AH131965	4F23	12	80 - 9	AH133088	5F11	17	90 - 99	AH133948	7D10	22	125 - 47
AH131975	5C21	2	90 - 32	AH133109	2E22	2	40 - 61	AH133948	7D12	1	125 - 49
AH131979	6H8	4	121 - 55	AH133125	3F21	26	60 - 15	AH133948	7D14	1	125 - 51
AH132027	4B16	5	70 - 3	AH133126	3F21	9	60 - 15	AH133949	7D10	18	125 - 47
AH132031	7D8	4	125 - 45	AH133127	3F21	2	60 - 15	AH133949	7D12	2	125 - 49
AH132032	7G18	6	130 - 47	AH133128	3F21	3	60 - 15	AH133949	7D14	2	125 - 51
AH132033	7G18	6	130 - 47	AH133128	3F21	12	60 - 15	AH133950	7D12	9	125 - 49
AH132033	7G20	11	130 - 49	AH133128	3F21	28	60 - 15	AH133961	3E12	8	50 - 77

NUMERICAL INDEX - CONTINUED

PART NO.	GRID	KEY	PAGE	PART NO.	GRID	KEY	PAGE	PART NO.	GRID	KEY	PAGE
AH133974	6G4	40	121 - 27	AH134578	2B23	2	30 - 13	AH134972	3D25	12	50 - 65
AH134121	5G2	27	110 - 15	AH134578	2B25	2	30 - 15	AH134972	3E2	11	50 - 67
AH134121	5G4	27	110 - 17	AH134579	7C20	10	125 - 33	AH135029	3D21	16	50 - 61
AH134121	5G6	27	110 - 19	AH134580	7C20	9	125 - 33	AH135035	1B12	1	20 - 1
AH134144	6C2	17	120 - 15	AH134598	7F14	16	130 - 19	AH135035	1B14	4	20 - 3
AH134145	6C2	17	120 - 15	AH134599	5F17	31	110 - 5	AH135035	1B14	6	20 - 3
AH134205	4B16	9	70 - 3	AH134601	7G2	1	130 - 31	AH135039	3D25	11	50 - 65
AH134207	6G2	6	121 - 25	AH134642	1B18	7	20 - 7	AH135047	2E16	2	40 - 55
AH134224	2D25	17	40 - 39	AH134643	1B18	11	20 - 7	AH135064	4D9	3	70 - 44
AH134224	2E2	4	40 - 41	AH134646	1B16	5	20 - 5	AH135077	6G4	10	121 - 27
AH134224	2E4	1	40 - 43	AH134646	1B16	11	20 - 5	AH135155	2B13	24	30 - 3
AH134224	2E6	11	40 - 45	AH134646	1B16	22	20 - 5	AH135170	3E10	24	50 - 75
AH134224	7H12	3	160 - 3	AH134646	1B18	14	20 - 7	AH135170	3E12	14	50 - 77
AH134225	2D6	3	40 - 19	AH134656	4G12	9	80 - 23	AH135171	3E10	25	50 - 75
AH134225	2D25	16	40 - 39	AH134658	6C2	26	120 - 15	AH135171	3E12	19	50 - 77
AH134229	2D25	17	40 - 39	AH134662	6C11	16	120 - 25	AH135191	2B13	17	30 - 3
AH134229	2E2	4	40 - 41	AH134669	7F4	18A	130 - 9	AH135207	7E12	15	125 - 73
AH134229	2E4	1	40 - 43	AH134679	7D12	22	125 - 49	AH135207	7E14	17	125 - 75
AH134229	2E6	11	40 - 45	AH134680	7D12	21	125 - 49	AH135209	7F12	8	130 - 17
AH134231	2E6	1	40 - 45	AH134705	7F4	9	130 - 9	AH135217	3H8	4	60 - 51
AH134231	2E8	1	40 - 47	AH134706	7F4	9	130 - 9	AH135240	6C15	6	120 - 29
AH134240	2E22	20	40 - 61	AH134724	5D6	1	90 - 41	AH135241	1B16	1	20 - 5
AH134250	2F13	1	40 - 76	AH134728	2E8	21	40 - 47	AH135241	1B18	2	20 - 7
AH134254	2E16	15	40 - 55	AH134728	2F10	3	40 - 73	AH135254	7I6	..	170 - 17
AH134258	2E18	25	40 - 57	AH134729	6H16	4	121 - 63	AH135254	7I8	..	170 - 19
AH134258	2E20	31	40 - 59	AH134730	6H16	5	121 - 63	AH135254	7I10	..	170 - 21
AH134262	2F6	6	40 - 69	AH134733	4D25	7A	70 - 61	AH135254	7I12	..	170 - 23
AH134266	2E18	25	40 - 57	AH134733	4D25	25	70 - 61	AH135254	7I14	..	170 - 25
AH134266	2E20	31	40 - 59	AH134733	4E2	7	70 - 63	AH135254	7I16	..	170 - 27
AH134278	2D25	17	40 - 39	AH134733	4E2	25	70 - 63	AH135254	7I19	..	170 - 30
AH134278	2E2	4	40 - 41	AH134766	7F22	4	130 - 27	AH135254	7I21	..	170 - 33
AH134278	2E4	1	40 - 43	AH134773	6C7	16	120 - 21	AH135263	6C5	12	120 - 19
AH134278	2E6	11	40 - 45	AH134813	3G19	13	60 - 38	AH135290	4G20	21	80 - 31
AH134288	2G23	5	40 - 111	AH134814	3G18	1	60 - 37	AH135290	4H12	7	80 - 47
AH134295	2D25	17	40 - 39	AH134824	5G2	2	110 - 15	AH135290	4H14	12	80 - 49
AH134295	2E2	4	40 - 41	AH134826	5G2	3	110 - 15	AH135290	5G2	23	110 - 15
AH134295	2E4	1	40 - 43	AH134826	5G4	3	110 - 17	AH135290	5G4	23	110 - 17
AH134295	2E6	11	40 - 45	AH134826	5G6	3	110 - 19	AH135290	5G6	23	110 - 19
AH134296	2D6	3	40 - 19	AH134833	4D10	..	70 - 45	AH135290	6D12	10	120 - 51
AH134296	2D8	3	40 - 21	AH134842	2B17	15	30 - 7	AH135292	7G2	1	130 - 31
AH134296	2D25	16	40 - 39	AH134858	7F14	20	130 - 19	AH135295	6G4	10	121 - 27
AH134304	3F23	31	60 - 17	AH134859	6G10	..	121 - 33	AH135296	6G4	10	121 - 27
AH134305	3F23	31	60 - 17	AH134861	6F5	..	121 - 3	AH135298	4G10	17	80 - 21
AH134319	6H22	21	121 - 69	AH134861	6F7	..	121 - 5	AH135299	4G8	3	80 - 19
AH134319	6H24	19	121 - 71	AH134862	3F2	1	50 - 93	AH135300	4G14	7	80 - 25
AH134431	6C15	6	120 - 29	AH134862	6F5	..	121 - 3	AH135315	5C6	1	90 - 17
AH134438	7C12	6	125 - 25	AH134862	6F7	..	121 - 5	AH135323	3C3	4	50 - 15
AH134439	7C12	1	125 - 25	AH134862	6F11	..	121 - 9	AH135323	5D2	4	90 - 37
AH134444	7C16	8	125 - 29	AH134862	6F15	..	121 - 13	AH135342	6H22	3	121 - 69
AH134447	2F22	4	40 - 85	AH134864	5F17	..	110 - 5	AH135342	6H22	16B	121 - 69
AH134522	5C22	2	90 - 33	AH134864	6F11	..	121 - 9	AH135342	6H24	3	121 - 71
AH134524	2E10	3	40 - 49	AH134865	6F19	..	121 - 17	AH135342	6H24	14	121 - 71
AH134529	2F4	27	40 - 67	AH134865	6F23	..	121 - 21	AH135375	4H10	23	80 - 45
AH134530	2F4	26	40 - 67	AH134869	6G24	30	121 - 47	AH135381	6E12	8	120 - 75
AH134534	4G16	6	80 - 27	AH134869	6H2	16	121 - 49	AH135394	7B25	5	125 - 13
AH134535	4G16	6	80 - 27	AH134873	6H8	7	121 - 55	AH135394	7C10	1	125 - 23
AH134549	7H2	4	130 - 55	AH134873	6H8	38	121 - 55	AH135431	7F8	6	130 - 13
AH134554	7D16	13	125 - 53	AH134884	5E15	16	90 - 77	AH135432	7F8	6	130 - 13
AH134555	7D10	12	125 - 47	AH134903	3B25	1	50 - 12	AH135439	7F8	3	130 - 13
AH134555	7D16	5	125 - 53	AH134917	6C5	12	120 - 19	AH135440	7F8	17	130 - 13
AH134555	7D16	14	125 - 53	AH134949	3D25	11	50 - 65	AH135441	7F8	10	130 - 13
AH134555	7D16	15	125 - 53	AH134949	3D25	12	50 - 65	AH135442	7F18	2	130 - 23
AH134555	7D16	16	125 - 53	AH134949	3D25	14	50 - 65	AH135443	7F4	15	130 - 9
AH134555	7D16	17	125 - 53	AH134949	3D25	16	50 - 65	AH135444	7F8	19	130 - 13
AH134558	7C20	6	125 - 33	AH134950	3D25	11	50 - 65	AH135445	7F8	19	130 - 13
AH134560	7E25	5	130 - 5	AH134951	3E6	1	50 - 71	AH135460	6I6	10	121 - 77
AH134562	7E25	5	130 - 5	AH134971	3D25	11	50 - 65	AH135461	7B25	41	125 - 13

NUMERICAL INDEX - CONTINUED

PART NO.	GRID	KEY	PAGE	PART NO.	GRID	KEY	PAGE	PART NO.	GRID	KEY	PAGE
AH135463	7F6	11	130 - 11	AH136147	2B13	19	30 - 3	AH136873	5F15	30	110 - 3
AH135463	7F16	1	130 - 21	AH136153	7G8	15	130 - 37	AH136873	5H14	19	110 - 53
AH135478	4G16	6	80 - 27	AH136162	4H6	8	80 - 41	AH136896	2D12	2	40 - 25
AH135479	4G16	6	80 - 27	AH136163	4F21	1	80 - 7	AH136929	5D21	2	90 - 57
AH135482	4G16	10	80 - 27	AH136172	1C7	1	20 - 20	AH136930	5D21	4	90 - 57
AH135492	4C16	7	70 - 27	AH136172	4E23	..	70 - 85	AH136934	5D23	3	90 - 59
AH135498	7C20	3	125 - 33	AH136172	4F4	1	70 - 91	AH136935	5D23	2	90 - 59
AH135549	7B25	35B	125 - 13	AH136172	4F4	4	70 - 91	AH136936	5D25	3	90 - 61
AH135565	6F17	18	121 - 15	AH136172	5E21	6	90 - 83	AH136937	5D19	2	90 - 55
AH135572	6G24	30	121 - 47	AH136172	5E23	6	90 - 85	AH137147	2F22	12	40 - 85
AH135572	6H2	16	121 - 49	AH136202	4B20	25	70 - 7	AH137183	2E22	18	40 - 61
AH135573	6G24	20	121 - 47	AH136202	7D6	12	125 - 43	AH137183	7G12	3A	130 - 41
AH135573	6H2	6	121 - 49	AH136202	7D10	26	125 - 47	AH137201	4G20	11	80 - 31
AH135579	7F16	14B	130 - 21	AH136203	4B20	6	70 - 7	AH137204	6D10	7	120 - 49
AH135620	3E16	26	50 - 81	AH136233	2B15	15	30 - 5	AH137224	5G17	20	110 - 31
AH135620	3E18	23	50 - 83	AH136239	7E2	25	125 - 63	AH137224	5G21	24	110 - 35
AH135633	4G18	6A	80 - 29	AH136248	4B20	..	70 - 7	AH137233	6B25	4B	120 - 13
AH135647	6C13	1	120 - 27	AH136285	4H10	18	80 - 45	AH137235	6B13	1	120 - 1
AH135658	7D18	3	125 - 55	AH136301	3F17	2	60 - 11	AH137238	2F22	10	40 - 85
AH135658	7D20	6	125 - 57	AH136301	3F19	1	60 - 13	AH137254	2B13	18	30 - 3
AH135666	7F2	5	130 - 7	AH136301	3F21	32	60 - 15	AH137254	4G10	6	80 - 21
AH135682	4C8	13	70 - 19	AH136304	3F21	26	60 - 15	AH137256	7F20	3	130 - 25
AH135684	4C2	23	70 - 13	AH136305	3F21	2	60 - 15	AH137257	7F20	2	130 - 25
AH135686	4C2	24	70 - 13	AH136307	4G10	17	80 - 21	AH137259	2B23	24	30 - 13
AH135688	4C6	18	70 - 17	AH136326	5B22	8	90 - 9	AH137284	3H4	5	60 - 47
AH135689	4C10	5	70 - 21	AH136355	4H10	5	80 - 45	AH137288	7E2	25	125 - 63
AH135695	3F15	2	60 - 9	AH136356	2E2	1	40 - 41	AH137291	7E10	30	125 - 71
AH135721	7B15	5	125 - 3	AH136356	2F22	4	40 - 85	AH137295	3B25	1	50 - 12
AH135721	7B25	40	125 - 13	AH136358	5G2	17B	110 - 15	AH137310	6F15	18	121 - 13
AH135744	2E20	22	40 - 59	AH136358	5G4	17	110 - 17	AH137329	3B25	1	50 - 12
AH135744	4F8	15	70 - 95	AH136358	5G6	17	110 - 19	AH137350	3C5	33	50 - 17
AH135787	2D25	9	40 - 39	AH136362	3B20	11	50 - 7	AH137486	5E19	17	90 - 81
AH135787	2D25	12	40 - 39	AH136362	3F19	14	60 - 13	AH137523	6C7	26	120 - 21
AH135787	2D25	21	40 - 39	AH136386	2C2	2	30 - 17	AH137523	6C13	11	120 - 27
AH135787	2E4	17	40 - 43	AH136415	2C2	3	30 - 17	AH137534	6C7	19	120 - 21
AH135789	1B16	18	20 - 5	AH136455	4F25	10	80 - 11	AH137544	1C7	2	20 - 20
AH135790	1B16	22	20 - 5	AH136455	4G2	8	80 - 13	AH137544	2C4	5	30 - 19
AH135808	3B18	2	50 - 5	AH136466	2C14	1	40 - 3	AH137581	7E10	30	125 - 71
AH135821	2G8	3	40 - 95	AH136466	2D4	14	40 - 17	AH137592	5G25	1	110 - 39
AH135826	6C11	16	120 - 25	AH136467	2C24	1	40 - 13	AH137598	5G25	1	110 - 39
AH135837	7B25	33	125 - 13	AH136484	7E25	5	130 - 5	AH137630	5G25	5	110 - 39
AH135837	7C6	1	125 - 19	AH136485	7E25	5	130 - 5	AH137631	5G25	6	110 - 39
AH135844	3B16	16	50 - 3	AH136494	2G18	7	40 - 105	AH137631	5G25	7	110 - 39
AH135844	3B18	1	50 - 5	AH136496	2G18	3	40 - 105	AH137631	5G25	8	110 - 39
AH135845	3B18	10	50 - 5	AH136497	5H6	8	110 - 45	AH137631	5G25	9	110 - 39
AH135890	2C4	2	30 - 19	AH136497	6G18	15	121 - 41	AH137631	7E3	10	125 - 64
AH135890	2C4	9	30 - 19	AH136498	2F22	12	40 - 85	AH137631	7F2	10	130 - 7
AH135893	2B13	25	30 - 3	AH136504	4F25	13	80 - 11	AH137632	5G25	34	110 - 39
AH135893	2B13	26	30 - 3	AH136504	4G2	14	80 - 13	AH137702	5E19	4	90 - 81
AH135929	4G4	7	80 - 15	AH136505	5E19	21	90 - 81	AH137725	5C20	11B	90 - 31
AH135929	4G6	7	80 - 17	AH136505	5E21	4	90 - 83	AH137733	5G23	1	110 - 37
AH135951	2D2	7	40 - 15	AH136553	7H6	3	130 - 59	AH137735	5E21	2	90 - 83
AH135996	6I8	3	121 - 79	AH136553	7H8	3	130 - 61	AH137751	7D4	4	125 - 41
AH136017	7B17	9	125 - 5	AH136554	7H6	2	130 - 59	AH137752	7C18	13	125 - 31
AH136017	7B17	12	125 - 5	AH136554	7H8	2	130 - 61	AH137753	7C22	3	125 - 35
AH136023	7G6	7	130 - 35	AH136557	5C6	13	90 - 17	AH137771	6F23	12	121 - 21
AH136046	4F25	22	80 - 11	AH136559	7F22	4	130 - 27	AH137771	6F25	12	121 - 23
AH136046	4G2	22	80 - 13	AH136570	2C16	3	40 - 5	AH137772	6F19	1	121 - 17
AH136047	4G4	19	80 - 15	AH136572	6E14	3	120 - 77	AH137772	6F21	1	121 - 19
AH136047	4G6	19	80 - 17	AH136572	6E14	4	120 - 77	AH137791	1B20	1	20 - 9
AH136051	2B23	18	30 - 13	AH136572	6E14	5	120 - 77	AH137791	1B20	14	20 - 9
AH136052	6G2	16	121 - 25	AH136572	6E14	13	120 - 77	AH137791	1B20	15A	20 - 9
AH136091	7F12	8	130 - 17	AH136605	6C7	19	120 - 21	AH137792	7B15	7	125 - 3
AH136126	6I2	36	121 - 73	AH136616	4F25	9	80 - 11	AH137795	3B25	1	50 - 12
AH136126	6I4	35	121 - 75	AH136616	4G2	6	80 - 13	AH137817	2B13	22	30 - 3
AH136146	2B13	19	30 - 3	AH136635	7F12	8	130 - 17	AH137831	5G8	7	110 - 21
AH136146	2B17	11B	30 - 7	AH136638	7B25	21	125 - 13	AH137845	5G25	1	110 - 39

NUMERICAL INDEX - CONTINUED

PART NO.	GRID	KEY	PAGE	PART NO.	GRID	KEY	PAGE	PART NO.	GRID	KEY	PAGE
AH137927	2C14	1	40-3	AH138707	5D2	4	90-37	AH139296	6H4	3	121-51
AH137927	2D4	14	40-17	AH138718	7D14	9	125-51	AH139296	6H8	12	121-55
AH137935	4G8	3	80-19	AH138751	5F15	1	110-3	AH139296	6I4	24	121-75
AH137949	6F19	..	121-17	AH138751	5F15	19	110-3	AH139297	6D6	24	120-45
AH137949	6F23	..	121-21	AH138751	5F15	..	110-3	AH139300	2E22	19	40-61
AH137975	3H2	8A	60-45	AH138809	3H8	4	60-51	AH139313	6B15	2	120-3
AH137975	3H2	8B	60-45	AH138864	3E10	12	50-75	AH139321	6F5	..	121-3
AH137975	7D2	1	125-39	AH138864	3E12	7	50-77	AH139321	6F7	..	121-5
AH137986	7D14	17	125-51	AH138865	4E23	13	70-85	AH139321	6F11	..	121-9
AH138048	3B18	10	50-5	AH138865	4E25	7	70-87	AH139342	6C25	6	120-39
AH138048	3B20	4	50-7	AH138866	4E23	12	70-85	AH139352	5G2	20	110-15
AH138092	5G2	1	110-15	AH138866	4E25	6	70-87	AH139364	2B25	11	30-15
AH138097	4F23	1	80-9	AH138891	7B15	5	125-3	AH139384	4F23	6	80-9
AH138098	2D4	12	40-17	AH138891	7B25	40	125-13	AH139388	7E23	18	130-3
AH138099	2D4	20	40-17	AH138893	6H8	..	121-55	AH139389	7E23	18	130-3
AH138111	5D6	8	90-41	AH138895	6H8	..	121-55	AH139391	7E23	18	130-3
AH138155	7B25	21	125-13	AH138947	7F2	8	130-7	AH139423	5H8	1	110-47
AH138156	7B25	41	125-13	AH138963	5H8	1	110-47	AH139432	6C2	17	120-15
AH138156	7C4	1	125-17	AH138971	7C12	22	125-25	AH139433	6C2	17	120-15
AH138157	7B25	25	125-13	AH138971	7D20	2	125-57	AH139434	4F6	12	70-93
AH138157	7C4	10	125-17	AH138972	7C12	23	125-25	AH139434	4F6	13	70-93
AH138171	3D25	14	50-65	AH138972	7D20	8	125-57	AH139436	6C21	12	120-35
AH138171	3D25	16	50-65	AH138986	3H4	5	60-47	AH139436	6H6	3	121-53
AH138172	3D25	14	50-65	AH139015	6F21	21	121-19	AH139436	7H19	3	170-5
AH138172	3D25	16	50-65	AH139019	6F19	..	121-17	AH139445	6B13	1	120-1
AH138187	5G25	1	110-39	AH139019	6F21	..	121-19	AH139516	5G8	7	110-21
AH138200	4E20	13	70-82	AH139019	6F23	..	121-21	AH139570	4F19	4	80-5
AH138212	4F23	6	80-9	AH139019	6F25	..	121-23	AH139571	4F19	5	80-5
AH138230	6E8	9A	120-71	AH139059	2E20	9	40-59	AH139610	4C16	7	70-27
AH138230	6E8	9B	120-71	AH139060	4D14	22	70-49	AH139681	7B25	18	125-13
AH138230	6E10	2A	120-73	AH139060	4D25	11	70-61	AH139681	7C4	20	125-17
AH138230	6E10	2B	120-73	AH139060	4E2	11	70-63	AH139682	7C2	44	125-15
AH138231	6D20	7A	120-59	AH139065	3G8	36	60-27	AH139682	7C4	19	125-17
AH138231	6D20	7B	120-59	AH139065	5E13	36	90-75	AH139754	4C16	..	70-27
AH138232	6E4	6A	120-67	AH139072	7G13	9	130-42	AH139754	4C17	5	70-28
AH138232	6E4	6B	120-67	AH139072	7G13	10	130-42	AH139768	6C2	17	120-15
AH138232	6E8	8A	120-71	AH139115	7C14	12	125-27	AH139779	3B21	4	50-8
AH138232	6E8	8B	120-71	AH139115	7C14	15	125-27	AH139782	4G10	11	80-21
AH138233	3H2	11A	60-45	AH139118	6F5	5	121-3	AH139791	7B15	5	125-3
AH138233	3H2	11B	60-45	AH139119	5E2	4	90-63	AH139791	7B25	40	125-13
AH138234	6D20	1C	120-59	AH139119	5E2	6	90-63	AH139791	7C4	16	125-17
AH138234	6D20	2B	120-59	AH139129	2C18	12	40-7	AH139802	3E18	24	50-83
AH138257	1B18	6	20-7	AH139129	5C24	12	90-35	AH139816	7F4	11	130-9
AH138280	2C14	1	40-3	AH139161	2B13	22	30-3	AH139853	3E21	20	50-87
AH138289	2D4	20	40-17	AH139180	6G12	10	121-35	AH139886	4F23	15	80-9
AH138291	2F6	13	40-69	AH139233	3B22	1	50-9	AH139916	6E20	7A	120-83
AH138329	3C3	28	50-15	AH139238	6G4	43	121-27	AH139916	6E20	7B	120-83
AH138329	3C3	30	50-15	AH139240	4D12	36	70-47	AH139918	6E20	7A	120-83
AH138329	3C3	33	50-15	AH139240	4D14	..	70-49	AH139918	6E20	7B	120-83
AH138329	5D2	33	90-37	AH139240	4D16	..	70-51	AH139919	5F15	31	110-3
AH138361	2B25	11	30-15	AH139240	4D17	..	70-52	AH139919	5H14	18	110-53
AH138374	6D10	1	120-49	AH139240	4D19	..	70-55	AH139936	6G2	24A	121-25
AH138374	6D12	2	120-51	AH139240	4D21	..	70-57	AH139936	6G2	24B	121-25
AH138375	6D12	9	120-51	AH139240	4D23	..	70-59	AH139987	2G14	2	40-101
AH138384	6D8	23	120-47	AH139242	5H10	6	110-49	AH139996	7G10	1	130-39
AH138398	7G24	5	130-53	AH139243	5H8	1	110-47	AH140001	7G24	15	130-53
AH138399	7G24	6	130-53	AH139243	5H10	3	110-49	AH140001	7G24	16	130-53
AH138522	5E15	..	90-77	AH139246	6C13	8	120-27	AH140003	7G22	22	130-51
AH138601	5E15	13	90-77	AH139255	4F23	6	80-9	AH140004	7G24	19	130-53
AH138601	5E15	..	90-77	AH139256	4F23	8	80-9	AH140004	7H18	2	170-4
AH138630	7B25	18	125-13	AH139260	7B25	8	125-13	AH140010	7B17	12	125-5
AH138631	7C2	44	125-15	AH139260	7C6	4	125-19	AH140010	7B19	8	125-7
AH138655	7D24	7	125-61	AH139260	7C6	9	125-19	AH140044	6D14	10	120-53
AH138660	6F9	10	121-7	AH139284	3F23	29	60-17	AH140044	6D22	2	120-61
AH138666	5D6	..	90-41	AH139290	7B17	12	125-5	AH140044	6E6	2	120-69
AH138702	3F21	31	60-15	AH139295	5F23	6	110-11	AH140078	2F22	4	40-85
AH138707	3C3	4	50-15	AH139295	5F25	22	110-13	AH140081	7G6	2	130-35

1K6

9400 MAXIMIZER COMBINE

NUMERICAL INDEX - CONTINUED

PART NO.	GRID	KEY	PAGE	PART NO.	GRID	KEY	PAGE	PART NO.	GRID	KEY	PAGE
AH140113	5G23	9	110 - 37	AH140901	7H2	23	130 - 55	AH141687	3F19	6	60 - 13
AH140118	1B16	1	20 - 5	AH140902	4B20	25	70 - 7	AH141743	4H8	2	80 - 43
AH140118	1B18	2	20 - 7	AH140902	7D6	12	125 - 43	AH141750	7B17	12	125 - 5
AH140119	1B14	2	20 - 3	AH140902	7D10	26	125 - 47	AH141750	7B19	8	125 - 7
AH140120	2C20	7	40 - 9	AH140903	4B20	6	70 - 7	AH141762	6G14	14	121 - 37
AH140120	2E6	..	40 - 45	AH140929	2C4	3	30 - 19	AH141762	6H6	25	121 - 53
AH140127	7F14	14	130 - 19	AH140967	4F23	8	80 - 9	AH141762	6I2	39	121 - 73
AH140127	7F14	20	130 - 19	AH140967	4F23	29	80 - 9	AH141774	5B20	4	90 - 7
AH140127	7F14	24	130 - 19	AH14097	7C14	1	125 - 27	AH141780	5G23	10	110 - 37
AH140127	7F14	25	130 - 19	AH140989	2E22	18	40 - 61	AH141781	5G23	10	110 - 37
AH140129	7B25	21	125 - 13	AH140989	7G12	3A	130 - 41	AH141781	5G23	12	110 - 37
AH140129	7B25	35B	125 - 13	AH141012	2D4	1	40 - 17	AH141782	5G23	10	110 - 37
AH140129	7C4	12	125 - 17	AH141012	2D4	5	40 - 17	AH141782	5G23	11	110 - 37
AH140131	6C2	26	120 - 15	AH141012	2D4	6	40 - 17	AH141794	3F19	2	60 - 13
AH140161	3B16	2A	50 - 3	AH141012	2D4	7	40 - 17	AH141804	5C18	1	90 - 29
AH140169	2D17	1	40 - 30	AH141012	2D4	8	40 - 17	AH141807	5G2	1	110 - 15
AH140170	1B14	18	20 - 3	AH141012	2D4	10	40 - 17	AH141808	1B16	14	20 - 5
AH140185	5F17	19	110 - 5	AH141022	6F21	21	121 - 19	AH141808	1B18	17	20 - 7
AH140206	5D17	3	90 - 53	AH141030	6C19	2	120 - 33	AH141811	3D3	19	50 - 42
AH140213	7D22	8	125 - 59	AH141038	2E16	2	40 - 55	AH141812	5C18	11	90 - 29
AH140312	4F18	9	80 - 4	AH141040	3H2	8A	60 - 45	AH141813	2G14	10A	40 - 101
AH140332	7G20	11	130 - 49	AH141042	7C24	4	125 - 37	AH141813	2G14	10B	40 - 101
AH140334	7G16	6	130 - 45	AH141049	6F19	..	121 - 17	AH141819	6E16	17	120 - 79
AH140335	7G16	6	130 - 45	AH141049	6F21	..	121 - 19	AH141820	6G4	29	121 - 27
AH140410	3B24	3	50 - 11	AH141049	6F23	..	121 - 21	AH141820	6G8	2	121 - 31
AH140410	3B24	..	50 - 11	AH141049	6F25	..	121 - 23	AH141821	6G4	29	121 - 27
AH140410	3C7	..	50 - 19	AH141131	2C22	9	40 - 11	AH141823	2B13	26	30 - 3
AH140417	6C2	..	120 - 15	AH141142	6D20	18	120 - 59	AH141849	1B18	8	20 - 7
AH140427	4F19	6	80 - 5	AH141142	6I9	..	121 - 94	AH141858	4B21	1	70 - 8
AH140433	3D17	14	50 - 56	AH141142	7E19	..	125 - 80	AH141858	4B21	..	70 - 8
AH140435	6E12	8	120 - 75	AH141152	4C16	2A	70 - 27	AH141858	7C18	14	125 - 31
AH140471	4F4	4	70 - 91	AH141152	5G2	4A	110 - 15	AH141861	5H8	1	110 - 47
AH140471	5E23	6	90 - 85	AH141161	5C4	4	90 - 15	AH141861	5H10	5	110 - 49
AH140472	4F4	1	70 - 91	AH141171	2C22	5	40 - 11	AH141973	6G18	5	121 - 41
AH140474	1B22	5	20 - 11	AH141178	4H4	1A	80 - 39	AH141974	6G18	5	121 - 41
AH140484	4F17	23	80 - 3	AH141184	7C14	27	125 - 27	AH141984	2C18	9	40 - 7
AH140485	4F17	23	80 - 3	AH141201	7G22	22	130 - 51	AH141984	5C24	9	90 - 35
AH140493	2B13	22	30 - 3	AH141204	6C7	15	120 - 21	AH142011	4G16	1	80 - 27
AH140495	1B14	33	20 - 3	AH141248	5H16	14	110 - 55	AH142057	2C18	2	40 - 7
AH140497	1B14	31	20 - 3	AH141283	5H16	16	110 - 55	AH142057	2C18	16	40 - 7
AH140517	6C7	26	120 - 21	AH141302	3B21	4	50 - 8	AH142057	5C24	16	90 - 35
AH140553	4F23	15	80 - 9	AH141389	6F17	20	121 - 15	AH142105	5E19	22	90 - 81
AH140604	6C7	2	120 - 21	AH141389	6G4	46	121 - 27	AH142107	5E21	2	90 - 83
AH140604	6C13	18	120 - 27	AH141393	6E16	5	120 - 79	AH142108	4E15	3	70 - 77
AH140605	2E2	14	40 - 41	AH141393	6E20	17	120 - 83	AH142108	4E15	4	70 - 77
AH140605	3F15	10	60 - 9	AH141399	5G21	24	110 - 35	AH142108	4E15	5	70 - 77
AH140609	2C18	4	40 - 7	AH141412	5C2	16	90 - 13	AH142108	4E15	6	70 - 77
AH140609	5C24	4	90 - 35	AH141543	3E6	11	50 - 71	AH142108	4E15	7	70 - 77
AH140610	2C16	4	40 - 5	AH141544	3E8	11	50 - 73	AH142108	4E15	8	70 - 77
AH140615	5F17	31	110 - 5	AH141545	3D25	12	50 - 65	AH142108	4E15	11	70 - 77
AH140620	6D6	19	120 - 45	AH141545	3E6	1	50 - 71	AH142108	4E15	12	70 - 77
AH140706	2C22	14	40 - 11	AH141546	3D25	14	50 - 65	AH142108	4E15	..	70 - 77
AH140706	2C22	18	40 - 11	AH141547	3D25	16	50 - 65	AH142108	4E19	11	70 - 81
AH140713	7G6	7	130 - 35	AH141572	7E10	30	125 - 71	AH142139	3B23	1	50 - 10
AH140714	3G14	8	60 - 33	AH141573	7E2	25	125 - 63	AH142155	2C14	1	40 - 3
AH140715	3G14	7	60 - 33	AH141577	7E23	12	130 - 3	AH142155	2D4	14	40 - 17
AH140784	2D4	20	40 - 17	AH141582	3F23	29	60 - 17	AH142158	3B23	1	50 - 10
AH140785	2D4	20	40 - 17	AH141618	6B25	4C	120 - 13	AH142163	7E2	27	125 - 63
AH140786	2D4	20	40 - 17	AH141625	2B25	11	30 - 15	AH142164	4E13	16	70 - 75
AH140786	2D4	22	40 - 17	AH141641	7G2	1	130 - 31	AH142164	4E15	18	70 - 77
AH140786	2D4	25	40 - 17	AH141652	7C22	5	125 - 35	AH142185	7F4	9	130 - 9
AH140786	2D4	27	40 - 17	AH141671	1B18	11	20 - 7	AH142188	7F4	9	130 - 9
AH140786	2D4	29	40 - 17	AH141672	1B16	5	20 - 5	AH142197	7F2	5	130 - 7
AH140786	2D4	31	40 - 17	AH141672	1B16	11	20 - 5	AH142200	7F2	5	130 - 7
AH140790	7G10	1	130 - 39	AH141672	1B16	22	20 - 5	AH142201	7F2	5	130 - 7
AH14080	6H8	6	121 - 55	AH141672	1B18	14	20 - 7	AH142203	7F2	5	130 - 7
AH140838	5B24	12B	90 - 11	AH141686	3F19	5	60 - 13	AH142295	7H3	11	130 - 56

NUMERICAL INDEX - CONTINUED

PART NO.	GRID	KEY	PAGE	PART NO.	GRID	KEY	PAGE	PART NO.	GRID	KEY	PAGE
AH142336	2D21	23	40 - 35	AH143426	7B21	7	125 - 9	AH144478	7B15	5	125 - 3
AH142370	6D2	16	120 - 41	AH143445	2D21	8	40 - 35	AH144478	7B25	40	125 - 13
AH142394	5G25	31	110 - 39	AH143455	4C24	7	70 - 35	AH144480	4E20	15	70 - 82
AH142404	5C18	19	90 - 29	AH143512	5H16	7	110 - 55	AH144482	4E20	1	70 - 82
AH142404	5C18	20	90 - 29	AH143512	5H16	8	110 - 55	AH144503	2D21	23	40 - 35
AH142404	5C18	21	90 - 29	AH143682	4C14	1	70 - 25	AH144523	5H16	2	110 - 55
AH142404	5C18	22	90 - 29	AH143682	4E21	1	70 - 83	AH144544	6C2	26	120 - 15
AH142404	5C18	23	90 - 29	AH143711	2F22	4	40 - 85	AH144545	6C2	26	120 - 15
AH142404	5C18	24	90 - 29	AH143727	7G20	11	130 - 49	AH144553	2B13	22	30 - 3
AH142404	5C20	4	90 - 31	AH143729	7G18	6	130 - 47	AH144599	6B23	4	120 - 11
AH142404	5C20	21	90 - 31	AH143731	7G18	6	130 - 47	AH144601	6B23	20	120 - 11
AH142407	5F23	24	110 - 11	AH143737	3F17	2	60 - 11	AH144609	6B21	9	120 - 9
AH142422	6B19	1	120 - 7	AH143737	3F19	1	60 - 13	AH144609	6B21	18	120 - 9
AH142441	3G2	32	60 - 21	AH143737	3F21	32	60 - 15	AH144609	6B21	19	120 - 9
AH142441	3G8	27	60 - 27	AH143744	6C7	26	120 - 21	AH144695	3H8	4	60 - 51
AH142441	5E13	27	90 - 75	AH143744	6C13	11	120 - 27	AH144715	5F17	17	110 - 5
AH142442	2F22	11	40 - 85	AH143745	2F22	12	40 - 85	AH144719	1C7	2	20 - 20
AH142450	4D12	13	70 - 47	AH143746	6G12	4	121 - 35	AH144719	2C4	5	30 - 19
AH142450	4D12	32	70 - 47	AH143747	6G12	4	121 - 35	AH144741	2C16	6	40 - 5
AH142450	4D12	38	70 - 47	AH143747	6G12	5	121 - 35	AH144742	2C16	7	40 - 5
AH142450	4D25	12	70 - 61	AH143761	2E12	17	40 - 51	AH144776	6B23	12	120 - 11
AH142450	4E2	12	70 - 63	AH143762	2E16	..	40 - 55	AH144777	6B23	2	120 - 11
AH142527	1B18	25	20 - 7	AH143871	4C16	2A	70 - 27	AH144778	5D17	1	90 - 53
AH142551	6B19	2	120 - 7	AH143871	4C16	2B	70 - 27	AH144815	6E16	8	120 - 79
AH142560	5G15	8	110 - 28	AH143871	5G2	4A	110 - 15	AH144816	6E16	10	120 - 79
AH142593	2E20	31	40 - 59	AH143900	2D25	17	40 - 39	AH144816	6E18	9	120 - 81
AH142597	2E18	25	40 - 57	AH143900	2E2	4	40 - 41	AH144827	6D4	5	120 - 43
AH142597	2E20	31	40 - 59	AH143900	2E4	1	40 - 43	AH144831	4B21	..	70 - 8
AH142611	3D23	4	50 - 63	AH143900	2E6	11	40 - 45	AH144856	4G16	15	80 - 27
AH142630	7F8	20	130 - 13	AH143903	2F2	1A	40 - 65	AH144857	4G16	15	80 - 27
AH142731	4D17	18	70 - 52	AH143903	2F2	1B	40 - 65	AH144868	6C7	26	120 - 21
AH142731	4D17	19	70 - 52	AH143903	2F22	4	40 - 85	AH144892	2E18	25	40 - 57
AH142731	4D17	20	70 - 52	AH143904	2F2	1B	40 - 65	AH144892	2E20	31	40 - 59
AH142731	4D17	21	70 - 52	AH143904	6H10	5	121 - 57	AH145021	2C14	1	40 - 3
AH142731	4D21	..	70 - 57	AH143904	6H14	5	121 - 61	AH145022	2D25	17	40 - 39
AH142731	4D23	..	70 - 59	AH143922	2E22	20	40 - 61	AH145022	2E2	4	40 - 41
AH142758	3E2	17	50 - 67	AH143997	2F2	1A	40 - 65	AH145022	2E4	1	40 - 43
AH142779	7B25	5	125 - 13	AH144018	2D10	2	40 - 23	AH145022	2E6	11	40 - 45
AH142779	7C10	1	125 - 23	AH144019	2D14	2	40 - 27	AH145026	2C24	1	40 - 13
AH142870	6F11	20	121 - 9	AH144020	2D14	1	40 - 27	AH145029	5H2	6	110 - 41
AH142870	6F13	18	121 - 11	AH144020	5E15	34	90 - 77	AH145029	5H20	12	110 - 59
AH142893	3G2	31	60 - 21	AH144030	4C16	2C	70 - 27	AH145030	4E15	18	70 - 77
AH142893	3G2	..	60 - 21	AH144030	5G2	4B	110 - 15	AH145030	4E17	13	70 - 79
AH142999	2E22	18	40 - 61	AH144030	5G4	4	110 - 17	AH145030	4E17	14	70 - 79
AH142999	7G12	3A	130 - 41	AH144030	5G6	4	110 - 19	AH145030	4E17	15	70 - 79
AH143033	4H2	12	80 - 37	AH144044	2D16	6	40 - 29	AH145030	4E17	16	70 - 79
AH143035	3E4	1	50 - 69	AH144068	7H2	4	130 - 55	AH145030	4E17	17	70 - 79
AH143036	2B15	15	30 - 5	AH144079	6D6	19	120 - 45	AH145030	4E17	20	70 - 79
AH143048	7B25	21	125 - 13	AH144081	6C3	6	120 - 16	AH145031	2F14	10	40 - 77
AH143048	7C4	23	125 - 17	AH144084	2D10	6	40 - 23	AH145031	2F16	10	40 - 79
AH143068	2C18	7	40 - 7	AH144084	2D14	3	40 - 27	AH145047	7G16	6	130 - 45
AH143068	5C24	7	90 - 35	AH144084	5E19	8	90 - 81	AH145048	7G16	6	130 - 45
AH143069	5G15	2	110 - 28	AH144095	4C24	18	70 - 35	AH145049	7G16	6	130 - 45
AH143218	4H2	10	80 - 37	AH144096	2D10	1	40 - 23	AH145051	7G8	1	130 - 37
AH143219	4G24	7	80 - 35	AH144096	2D12	1	40 - 25	AH145056	2E4	20	40 - 43
AH143301	2C24	1	40 - 13	AH144096	2D17	1	40 - 30	AH145060	3B16	2B	50 - 3
AH143322	4E20	16	70 - 82	AH144099	5F15	31	110 - 3	AH145061	3B16	1	50 - 3
AH143322	4E21	12	70 - 83	AH144099	5H14	18	110 - 53	AH145065	5D8	7	90 - 43
AH143352	3E4	5	50 - 69	AH144100	5E2	18	90 - 63	AH145157	5C14	8	90 - 25
AH143353	3E2	16	50 - 67	AH144104	6B21	2	120 - 9	AH145203	5H16	6	110 - 55
AH143356	7F8	20	130 - 13	AH144192	3E8	1	50 - 73	AH145205	5H16	13	110 - 55
AH143361	5G12	13	110 - 25	AH144194	3E8	11	50 - 73	AH145232	4F4	1	70 - 91
AH143362	5G12	14	110 - 25	AH144338	2D14	6	40 - 27	AH145233	4F23	15	80 - 9
AH143406	3E21	19	50 - 87	AH144339	2D16	8	40 - 29	AH145235	3E14	4	50 - 79
AH143417	2D21	7	40 - 35	AH144381	2F22	4	40 - 85	AH145237	3E14	5	50 - 79
AH143426	7B17	12	125 - 5	AH144382	2F22	4	40 - 85	AH145239	4F2	6	70 - 89
AH143426	7B19	8	125 - 7	AH144433	2F22	11	40 - 85	AH145241	4F2	7	70 - 89

NUMERICAL INDEX - CONTINUED

PART NO.	GRID	KEY	PAGE	PART NO.	GRID	KEY	PAGE	PART NO.	GRID	KEY	PAGE
AH145256	2F13	1	40-76	AH146216	7F9	6	130-14	AH148226	5D11	3	90-46
AH145262	6E16	15	120-79	AH146218	7F9	2	130-14	AH148227	5D11	2	90-46
AH145263	6E16	16	120-79	AH146221	7F9	1	130-14	AH148259	2E18	7	40-57
AH145277	2G16	4	40-103	AH146222	7F9	3	130-14	AH148278	2E20	9	40-59
AH145281	5G12	22	110-25	AH146234	5D19	1	90-55	AH148278	2E20	10	40-59
AH145282	5G12	16	110-25	AH146309	2F6	6	40-69	AH148472	4D10	..	70-45
AH145314	5F17	..	110-5	AH146322	7D22	8	125-59	AH148508	6D14	13	120-53
AH145542	2C4	3	30-19	AH146352	7G4	21	130-33	AH148511	6D14	13	120-53
AH145563	2G20	1	40-107	AH146359	7G24	19	130-53	AH148616	2D12	2	40-25
AH145565	2C18	2	40-7	AH146361	4G22	4B	80-33	AH148649	2C4	4	30-19
AH145565	2C18	16	40-7	AH146461	6H8	28	121-55	AH148893	6G18	14	121-41
AH145565	5C24	16	90-35	AH146462	6H8	31	121-55	AH148959	5D6	2	90-41
AH145568	7F10	9	130-15	AH146463	6H8	4	121-55	AH149088	5G6	2	110-19
AH145580	5G4	2	110-17	AH146492	3F15	2	60-9	AH149180	7E10	30	125-71
AH145603	6E20	7B	120-83	AH146506	6H8	4	121-55	AH149182	7E25	5	130-5
AH145604	6E20	7B	120-83	AH146509	7F10	9	130-15	AH149183	7F8	6	130-13
AH145614	3B25	1	50-12	AH146621	2B13	22	30-3	AH149184	7F8	6	130-13
AH145615	3B25	1	50-12	AH146634	1B20	5	20-9	AH149200	7F2	5	130-7
AH145616	5E9	2	90-70	AH146655	6C25	3	120-39	AH149201	7F2	5	130-7
AH145631	5G4	1	110-17	AH146742	5D9	1	90-44	AH149242	7F4	18B	130-9
AH145673	5D6	2	90-41	AH146747	5B18	9	90-5	AH149320	7F2	10	130-7
AH145674	2C16	23	40-5	AH146748	5B18	9	90-5	AH149328	6D6	19	120-45
AH145678	5C10	28	90-21	AH146783	4G18	6B	80-29	AH149349	2G23	9	40-111
AH145678	5C12	16	90-23	AH146788	2B17	19	30-7	AH149349	5F15	30	110-3
AH145686	6E16	17	120-79	AH146824	6D16	4	120-55	AH149349	5F17	..	110-5
AH145687	6E16	16	120-79	AH147030	5D9	3	90-44	AH149349	5H14	19	110-53
AH145688	2C16	4	40-5	AH147084	4D12	38	70-47	AH149349	5H14	25	110-53
AH145699	2F22	4	40-85	AH147084	4D25	12	70-61	AH149356	6H8	38	121-55
AH145701	2F22	12	40-85	AH147084	4E2	12	70-63	AH149357	6H8	7	121-55
AH145703	4H8	11	80-43	AH147085	4D10	24	70-45	AH149545	6D14	13	120-53
AH145706	6E16	8	120-79	AH147086	4D16	24	70-51	AH149549	6D14	13	120-53
AH145706	6E18	7	120-81	AH147086	4D17	22	70-52	AH149551	6D22	11	120-61
AH145762	5G14	1	110-27	AH147086	4D21	22	70-57	AH149553	6D24	14	120-63
AH145763	5G14	2	110-27	AH147086	4D23	22	70-59	AH149588	4F4	1	70-91
AH145769	2E12	2	40-51	AH147086	4D25	10	70-61	AH149618	4F4	4	70-91
AH145769	2E12	4	40-51	AH147086	4D25	29	70-61	AH149618	5E23	6	90-85
AH145769	2E12	10	40-51	AH147086	4E2	10A	70-63	AH149677	7C4	13	125-17
AH145769	2E12	14	40-51	AH147086	4E2	10B	70-63	AH149701	6E8	1	120-71
AH145935	6E16	15	120-79	AH147086	4E2	10C	70-63	AH149701	6E8	1	120-71
AH145935	6E18	12	120-81	AH147092	4H4	1B	80-39	AH149833	2D19	30	40-33
AH145947	2D2	7	40-15	AH147097	4D10	25	70-45	AH149834	2D19	3	40-33
AH145964	2F22	11	40-85	AH147097	4D25	13	70-61	AH149835	2D19	1	40-33
AH145980	3H4	10	60-47	AH147097	4E2	13	70-63	AH149859	4G6	7	80-17
AH146032	5D17	4	90-53	AH147153	5D10	1	90-45	AH149879	6D8	16	120-47
AH146041	4H8	7	80-43	AH147163	5C20	12	90-31	AH149882	5B22	8	90-9
AH146041	4H8	11	80-43	AH147201	6D4	14	120-43	AH149883	5B22	2B	90-9
AH146043	4E15	..	70-77	AH147353	6I8	3	121-79	AH149994	6D16	4	120-55
AH146043	4E17	3	70-79	AH147360	2C4	2	30-19	AH150016	6I4	18	121-75
AH146043	4E17	4	70-79	AH147479	4G4	7	80-15	AH150167	6D24	1	120-63
AH146043	4E17	5	70-79	AH147479	4G6	7	80-17	AH150219	1C7	1	20-20
AH146043	4E17	6	70-79	AH147537	5D6	2	90-41	AH150219	4E23	..	70-85
AH146043	4E17	7	70-79	AH147555	2C18	7	40-7	AH150219	4F4	1	70-91
AH146043	4E17	8	70-79	AH147555	5C24	7	90-35	AH150219	4F4	4	70-91
AH146043	4E17	9	70-79	AH147584	6D18	6	120-57	AH150219	5E21	6	90-83
AH146043	4E17	11	70-79	AH147743	6E18	13	120-81	AH150219	5E23	6	90-85
AH146043	4E17	12	70-79	AH147935	3G4	9	60-23	AH150335	2B25	3	30-15
AH146043	4E17	..	70-79	AH147938	2C2	3	30-17	AH150473	2E12	7	40-51
AH146116	6C2	..	120-15	AH148028	2E24	20	40-63	AH150497	6C9	1	120-23
AH146196	6D4	14	120-43	AH148107	6D4	5	120-43	AH150611	3G6	18	60-25
AH146197	5G4	1	110-17	AH148124	4C24	18	70-35	AH150689	2B17	19	30-7
AH146197	5G6	1	110-19	AH148192	2C18	2	40-7	AH151119	6C7	15	120-21
AH146198	5G4	2	110-17	AH148192	2C18	16	40-7	AH151119	6C9	8	120-23
AH146198	5G6	2	110-19	AH148192	5C24	16	90-35	AH151121	6C5	12	120-19
AH146207	2C24	9	40-13	AH148210	2E24	14	40-63	AH151121	6C7	27	120-21
AH146208	2C16	3	40-5	AH148225	5D11	1	90-46	AH151121	6C9	5	120-23
AH146208	2C16	24	40-5					AH151123	5B22	11	90-9
AH146214	7F10	15	130-15					AH151124	2E18	2	40-57
								AH151139	1B22	5	20-11

NUMERICAL INDEX - CONTINUED

PART NO.	GRID	KEY	PAGE	PART NO.	GRID	KEY	PAGE	PART NO.	GRID	KEY	PAGE
AH151302	5G2	1	110 - 15	AH154278	2D19	5	40 - 33	AH156388	4B22	8	70 - 9
AH151332	6E20	7B	120 - 83	AH154278	2D21	10	40 - 35	AH156406	5G2	2	110 - 15
AH151333	4F23	1	80 - 9	AH154280	5C2	8	90 - 13	AH156413	7G12	5	130 - 41
AH151338	4H12	11	80 - 47	AH154401	4H14	11	80 - 49	AH156594	7F2	5	130 - 7
AH151339	4H12	4	80 - 47	AH154567	4H18	8	80 - 53	AH156595	7F2	5	130 - 7
AH151340	4H12	9	80 - 47	AH154573	2C16	24	40 - 5	AH156626	3B21	4	50 - 8
AH151341	4H12	8	80 - 47	AH154697	6G12	4	121 - 35	AH156727	5D15	..	90 - 51
AH151342	4H16	6	80 - 51	AH154737	5H16	16	110 - 55	AH156808	7F2	5	130 - 7
AH151343	4H16	11	80 - 51	AH154737	5H18	6	110 - 57	AH156809	7F2	5	130 - 7
AH151344	4H12	1	80 - 47	AH154738	5H18	9	110 - 57	AH156975	5H22	3	110 - 61
AH151346	4H12	2	80 - 47	AH154739	5H18	8	110 - 57	AH157029	5C8	8	90 - 19
AH151347	4H16	4	80 - 51	AH154740	5H16	11	110 - 55	AH157168	5H24	16	110 - 63
AH151349	4H18	5	80 - 53	AH154740	5H18	5	110 - 57	AH157415	5H24	18	110 - 63
AH151350	4H14	8	80 - 49	AH154741	5H18	3	110 - 57	AH157491	5D17	3	90 - 53
AH151351	4H14	2	80 - 49	AH154742	5H16	10	110 - 55	AH157492	4C16	2C	70 - 27
AH151352	4H18	4	80 - 53	AH154742	5H18	1	110 - 57	AH157492	5G2	4B	110 - 15
AH151353	4H14	3	80 - 49	AH154743	5H18	..	110 - 57	AH157492	5G6	4	110 - 19
AH151400	4D12	..	70 - 47	AH154920	7F22	27	130 - 27	AH157557	5D23	3	90 - 59
AH151403	7G20	11	130 - 49	AH154965	7G24	5	130 - 53	AH157634	5D23	1	90 - 59
AH151407	7G16	6	130 - 45	AH154966	7G24	6	130 - 53	AH157725	7G2	1	130 - 31
AH151408	7G16	6	130 - 45	AH155077	5H16	16	110 - 55	AH157934	5H6	6	110 - 45
AH151410	7G16	6	130 - 45	AH155275	5I2	1	110 - 65	AH157942	5H8	1	110 - 47
AH151413	7G20	3	130 - 49	AH155348	5H22	13	110 - 61	AH157942	5H10	6	110 - 49
AH151598	5G6	1	110 - 19	AH155480	7G12	3B	130 - 41	AH157973	4D9	6	70 - 44
AH151653	6F7	1	121 - 5	AH155483	1110	9	24 - 153	AH158038	2G21	1	40 - 108
AH151770	2D25	17	40 - 39	AH155483	2E20	35	40 - 59	AH158103	7G2	1	130 - 31
AH151770	2E2	4	40 - 41	AH155494	6C7	19	120 - 21	AH158148	5G10	1	110 - 23
AH151770	2E4	1	40 - 43	AH155523	2E20	9	40 - 59	AH158151	4H12	8	80 - 47
AH151770	2E6	11	40 - 45	AH155577	2C18	18	40 - 7	AH158310	2F11	4	40 - 74
AH151772	2E6	1	40 - 45	AH155577	5C24	18	90 - 35	AH158487	4H6	8	80 - 41
AH151772	2E8	1	40 - 47	AH155650	5H10	1	110 - 49	AH158514	2F11	5	40 - 74
AH151774	2C14	1	40 - 3	AH155657	5H24	1	110 - 63	AH158604	2F18	10	40 - 81
AH151775	2E22	20	40 - 61	AH155659	5H20	13	110 - 59	AH158635	5G25	35	110 - 39
AH152020	2G16	4	40 - 103	AH155669	4H10	23	80 - 45	AH158635	7E3	10	125 - 64
AH152323	4G2	14	80 - 13	AH155703	5H24	6	110 - 63	AH158635	7F2	10	130 - 7
AH152443	2D25	17	40 - 39	AH155706	5H24	3	110 - 63	AH158660	3B25	1	50 - 12
AH152443	2E2	4	40 - 41	AH155707	5H22	16	110 - 61	AH158662	3B25	1	50 - 12
AH152443	2E4	1	40 - 43	AH155707	5H24	3	110 - 63	AH158689	2E20	9	40 - 59
AH152443	2E6	11	40 - 45	AH155715	5H22	7	110 - 61	AH158880	7H2	45	130 - 55
AH152451	2E22	2	40 - 61	AH155736	5G2	1	110 - 15	AH158880	7H19	4	170 - 5
AH152654	7H3	6	130 - 56	AH155737	5G2	1	110 - 15	AH159023	2C4	3	30 - 19
AH152654	7H3	7	130 - 56	AH155739	5H20	9	110 - 59	AH159053	5H10	19	110 - 49
AH152654	7H3	11	130 - 56	AH155820	2E20	34	40 - 59	AH159053	5H24	14	110 - 63
AH152668	2G25	2	40 - 113	AH155821	2E20	34	40 - 59	AH159054	5H10	19	110 - 49
AH152937	5F15	30	110 - 3	AH155833	5H24	26	110 - 63	AH159054	5H24	14	110 - 63
AH152937	5H14	19	110 - 53	AH155928	2C18	19	40 - 7	AH159061	4H14	8	80 - 49
AH153040	6H8	4	121 - 55	AH155928	5C24	19	90 - 35	AH159079	5B16	10	90 - 3
AH153133	2G25	4	40 - 113	AH156049	5F17	..	110 - 5	AH159105	2F18	12	40 - 81
AH153311	2G25	3	40 - 113	AH156051	6G22	20	121 - 45	AH159185	5C8	8	90 - 19
AH153332	2D2	26	40 - 15	AH156051	6H6	27	121 - 53	AH159186	5C8	8	90 - 19
AH153341	2G23	9	40 - 111	AH156051	6H18	7	121 - 65	AH159187	5C8	8	90 - 19
AH153341	5F17	..	110 - 5	AH156051	7E8	14	125 - 69	AH159233	5F17	34	110 - 5
AH153341	5H14	25	110 - 53	AH156051	7F4	11	130 - 9	AH159703	5G23	1	110 - 37
AH153405	5E19	22	90 - 81	AH156064	2B17	19	30 - 7	AH159984	2C18	7	40 - 7
AH153617	5C20	11B	90 - 31	AH156066	5G2	3	110 - 15	AH159984	5C24	7	90 - 35
AH153688	6C9	13	120 - 23	AH156066	5G6	3	110 - 19	AH160053	5G2	1	110 - 15
AH153688	6C13	11	120 - 27	AH156177	7E2	25	125 - 63	AH160054	5G2	1	110 - 15
AH153743	7F4	9	130 - 9	AH156187	4G8	3	80 - 19	AH160115	5C18	1	90 - 29
AH153744	7F4	9	130 - 9	AH156190	4H6	8	80 - 41	AH160136	3F17	2	60 - 11
AH153796	5C6	1	90 - 17	AH156332	5D15	..	90 - 51	AH160136	3F19	1	60 - 13
AH153808	6D16	4	120 - 55	AH156333	7H13	19	160 - 4	AH160136	3F21	32	60 - 15
AH153819	5G2	2	110 - 15	AH156333	7H13	20	160 - 4	AH160469	5C8	3	90 - 19
AH153910	2C12	6	40 - 1	AH156333	7H13	21	160 - 4	AH160472	5C8	2	90 - 19
AH153911	5B22	1	90 - 9	AH156333	7H13	22	160 - 4	AH160473	5C8	2	90 - 19
AH154065	5D6	7	90 - 41	AH156374	5G6	2	110 - 19	AH160474	5C8	2	90 - 19
AH154151	2C12	7	40 - 1	AH156375	5G6	1	110 - 19	AH160622	7F22	27	130 - 27
AH154277	2C16	4	40 - 5	AH156377	5G2	1	110 - 15	AH160627	2F20	8	40 - 83

1K10

9400 MAXIMIZER COMBINE

NUMERICAL INDEX - CONTINUED

PART NO.	GRID	KEY	PAGE	PART NO.	GRID	KEY	PAGE	PART NO.	GRID	KEY	PAGE
AH160745	3C22	28	50 - 35	AH165936	7C4	10	125 - 17	AH84241	5G25	5	110 - 39
AH160745	3C23	28	50 - 36	AH165937	7B25	41	125 - 13	AH84695	3D17	5	50 - 56
AH160785	3C16	2	50 - 29	AH165937	7C4	1	125 - 17	AH84695	3D18	5	50 - 57
AH160785	3C16	8	50 - 29	AH165990	5C10	28	90 - 21	AH85276	7E8	8	125 - 69
AH160785	3C16	..	50 - 29	AH165990	5C12	16	90 - 23	AH85415	7C12	17	125 - 25
AH160785	3C18	10	50 - 31	AH166713	4G24	1	80 - 35	AH86866	3G24	8	60 - 43
AH160785	3C18	..	50 - 31	AH166713	7F24	30	130 - 29	AH86897	7E3	10	125 - 64
AH160785	3C20	4	50 - 33	AH166714	4H2	1	80 - 37	AH86897	7E3	12	125 - 64
AH160785	3C20	8	50 - 33	AH166714	7F24	18	130 - 29	AH87141	6G4	30	121 - 27
AH160785	3C20	12	50 - 33	AH166953	4D6	12	70 - 41	AH87272	4F23	18	80 - 9
AH160785	3C20	15	50 - 33	AH167132	6I8	3	121 - 79	AH87765	7E3	10	125 - 64
AH160785	3C20	19	50 - 33	AH167433	7G4	31	130 - 33	AH87790	4D9	5	70 - 44
AH160785	3C20	..	50 - 33	AH167434	3H8	4	60 - 51	AH87806	2C22	3	40 - 11
AH160785	3F2	3	50 - 93	AH167553	4E20	..	70 - 82	AH89486	1G19	24	24 - 111
AH160785	3F2	6	50 - 93	AH167582	3G24	1	60 - 43	AH89486	1G23	13	24 - 115
AH160994	7E12	15	125 - 73	AH167584	3H8	4	60 - 51	AH89486	1G24	5	24 - 117
AH160994	7E14	17	125 - 75	AH167847	7G24	5	130 - 53	AH89486	2D6	4	40 - 19
AH161400	6C2	17	120 - 15	AH167848	7G24	6	130 - 53	AH89486	2D8	4	40 - 21
AH161405	6C2	17	120 - 15	AH168093	7G2	..	130 - 31	AH89486	2D10	12	40 - 23
AH161407	6C2	17	120 - 15	AH168158	6E18	3	120 - 81	AH89486	2D12	11	40 - 25
AH161409	6C2	17	120 - 15	AH168158	6E18	5	120 - 81	AH89486	2E2	18	40 - 41
AH161410	6C2	17	120 - 15	AH168158	6E18	14	120 - 81	AH89486	2E4	9	40 - 43
AH161485	3F21	31	60 - 15	AH168300	7G4	37	130 - 33	AH89486	2E18	4	40 - 57
AH161818	6C2	..	120 - 15	AH168683	6F15	18	121 - 13	AH89486	2E18	13	40 - 57
AH161838	2E13	4	40 - 52	AH168934	4F21	22A	80 - 7	AH89486	2E20	12	40 - 59
AH161839	2E13	3	40 - 52	AH168934	4F21	22B	80 - 7	AH89486	2E22	16	40 - 61
AH161929	5D6	2	90 - 41	AH168947	7B17	10	125 - 5	AH89486	2F13	2	40 - 76
AH162068	6G2	4	121 - 25	AH168947	7B17	12	125 - 5	AH89486	3G6	11	60 - 25
AH162145	4E5	..	70 - 67	AH169220	6I2	36	121 - 73	AH89486	4C8	26	70 - 19
AH162252	6E12	1	120 - 75	AH169220	6I4	35	121 - 75	AH89486	4E11	8	70 - 73
AH162400	7G8	1	130 - 37	AH169233	7E2	25	125 - 63	AH89486	5E11	11	90 - 73
AH162441	7F2	10	130 - 7	AH20849	2B25	16	30 - 15	AH89486	5E15	3A	90 - 77
AH162469	6G24	30	121 - 47	AH20868	3C5	19	50 - 17	AH89486	5E19	11	90 - 81
AH162469	6H2	16	121 - 49	AH20868	6F19	25	121 - 17	AH89486	5G2	31	110 - 15
AH162573	3H6	19	60 - 49	AH21815	7F14	19	130 - 19	AH89486	6F13	10	121 - 11
AH162581	2E24	14	40 - 63	AH64610	3G24	1	60 - 43	AH89486	7E18	2	125 - 79
AH162724	5G12	16	110 - 25	AH75167	4B22	2	70 - 9	AH89557	1111	10	24 - 154
AH162797	6C2	26	120 - 15	AH75167	4B24	1	70 - 11	AH89557	2B17	4	30 - 7
AH162821	6C2	26	120 - 15	AH75167	4C2	7	70 - 13	AH89557	2C6	7	30 - 21
AH162827	6C2	26	120 - 15	AH75167	7D12	11	125 - 49	AH89557	2C14	4	40 - 3
AH162833	6C2	26	120 - 15	AH75167	7D14	15	125 - 51	AH89557	2D6	2	40 - 19
AH162914	2B13	24	30 - 3	AH76882	7D6	9	125 - 43	AH89557	2D8	2	40 - 21
AH163526	2C18	7	40 - 7	AH77279	2E16	23	40 - 55	AH89557	2D10	5	40 - 23
AH163686	6I2	27	121 - 73	AH77279	2G23	3	40 - 111	AH89557	2D12	4	40 - 25
AH163686	6I4	26	121 - 75	AH77279	6G2	11	121 - 25	AH89557	2D25	6	40 - 39
AH163708	5E2	8	90 - 63	AH77714	7H4	8	130 - 57	AH89557	2E2	12	40 - 41
AH163762	6D8	5	120 - 47	AH77724	2E16	16	40 - 55	AH89557	2E4	6	40 - 43
AH163762	6D8	7	120 - 47	AH77724	3C3	23	50 - 15	AH89557	2E6	2	40 - 45
AH163802	6F17	20	121 - 15	AH77724	5D2	23	90 - 37	AH89557	2E6	8	40 - 45
AH163802	6G4	46	121 - 27	AH77724	5E19	15	90 - 81	AH89557	2E8	12	40 - 47
AH163920	6C2	..	120 - 15	AH77869	4B24	7	70 - 11	AH89557	2E12	15	40 - 51
AH163921	6C2	..	120 - 15	AH77869	4C14	14	70 - 25	AH89557	2E16	14	40 - 55
AH163931	6C21	12	120 - 35	AH77869	5E19	9	90 - 81	AH89557	2E16	23	40 - 55
AH163931	6H6	3	121 - 53	AH77884	3E21	17	50 - 87	AH89557	2E18	5	40 - 57
AH163931	7H19	3	170 - 5	AH77884	7E23	31	130 - 3	AH89557	2E18	13	40 - 57
AH163979	2E22	18	40 - 61	AH78124	4B24	8	70 - 11	AH89557	2E22	15	40 - 61
AH163979	7G12	3A	130 - 41	AH78125	4B22	3	70 - 9	AH89557	2E24	6	40 - 63
AH163979	7G12	7	130 - 41	AH78125	5E19	15	90 - 81	AH89557	2F12	2	40 - 75
AH164364	4G6	7	80 - 17	AH80335	5B18	7	90 - 5	AH89557	2F20	10	40 - 83
AH164497	2G18	12	40 - 105	AH80335	5C2	18	90 - 13	AH89557	2G16	6	40 - 103
AH164499	2E22	2	40 - 61	AH80335	6E2	17	120 - 65	AH89557	2G23	6	40 - 111
AH164609	7G13	11	130 - 42	AH80335	7F22	11	130 - 27	AH89557	3F25	4	60 - 19
AH164868	7F14	20	130 - 19	AH80384	6G12	4	121 - 35	AH89557	4F23	27	80 - 9
AH164868	7F14	24	130 - 19	AH80916	3B18	19	50 - 5	AH89557	5B16	14	90 - 3
AH165768	7B17	12	125 - 5	AH80916	3B20	10	50 - 7	AH89557	5G23	20	110 - 37
AH165877	2G21	1	40 - 108	AH81167	4B20	..	70 - 7	AH89557	7H12	2	160 - 3
AH165936	7B25	25	125 - 13	AH83545	7D8	8	125 - 45	AH89557	7H12	4	160 - 3

NUMERICAL INDEX - CONTINUED

PART NO.	GRID	KEY	PAGE	PART NO.	GRID	KEY	PAGE	PART NO.	GRID	KEY	PAGE
AH89557	7H12	6	160 - 3	AH98176	7E6	7	125 - 67	AR150551	3G4	17	60 - 23
AH89918	7B25	39	125 - 13	AH98901	2E24	14	40 - 63	AR21837	1H8	2	24 - 125
AH90963	7G4	3	130 - 33	AL14674	6D6	22	120 - 45	AR21837	2B13	5	30 - 3
AH90990	2D2	36	40 - 15	AL14674	6H4	50	121 - 51	AR21837	2B17	5	30 - 7
AH90990	2E4	5	40 - 43	AL2976T	2G6	20	40 - 93	AR21837	5F9	3	90 - 97
AH90990	2E8	8	40 - 47	AM103480	7C14	4	125 - 27	AR21837	6H2	10	121 - 49
AH90990	2E18	18	40 - 57	AM105171	2E20	28B	40 - 59	AR21839	1G11	6	24 - 103
AH90990	2F14	6	40 - 77	AM108845	2D12	18	40 - 25	AR21839	1G13	11	24 - 105
AH90990	2F16	6	40 - 79	AM108923	7C14	4	125 - 27	AR21839	1G15	10	24 - 107
AH90990	2F18	6	40 - 81	AM53945	2E20	28A	40 - 59	AR21839	1G17	7	24 - 109
AH90990	3E14	15	50 - 79	AN102382	5F21	3	110 - 9	AR21839	1H4	1	24 - 121
AH90990	5F9	26	90 - 97	AN102383	5F21	1	110 - 9	AR21839	1H6	2	24 - 123
AH90990	6F13	10	121 - 11	AN102383	5G15	6	110 - 28	AR21839	2B13	5	30 - 3
AH90990	6F15	21	121 - 13	AN113330	5F17	29	110 - 5	AR21839	2B17	5	30 - 7
AH93110	5F17	35	110 - 5	AN12151	5F17	19	110 - 5	AR21840	2B23	6	30 - 13
AH93318	6H22	14	121 - 69	AN122493	3C20	28	50 - 33	AR21840	2B25	6	30 - 15
AH93318	6H24	12	121 - 71	AN122494	3C25	11	50 - 39	AR21840	2C2	6	30 - 17
AH93892	3H6	9	60 - 49	AN122497	3D3	11	50 - 42	AR21842	5E19	20	90 - 81
AH94450	5F23	11	110 - 11	AN122498	3C22	5	50 - 35	AR21969	1C14	..	24 - 1
AH94450	5F25	11	110 - 13	AN122498	3C23	5	50 - 36	AR21999	2C4	1	30 - 19
AH94450	6H4	14	121 - 51	AN122499	3C25	12	50 - 39	AR21999	2C4	13	30 - 19
AH94450	6H18	10	121 - 65	AN122502	3C20	22	50 - 33	AR21999	5E15	27	90 - 77
AH94450	7F16	5	130 - 21	AN122506	3C20	13	50 - 33	AR26708	1G13	9	24 - 105
AH94661	7G13	3	130 - 42	AN122507	3C20	34	50 - 33	AR26708	1G15	7	24 - 107
AH94853	6G4	21	121 - 27	AN122507	3D2	19	50 - 41	AR26708	1G15	8	24 - 107
AH94854	5H6	8	110 - 45	AN122509	3C20	35	50 - 33	AR26732	1H6	19	24 - 123
AH94854	6G18	15	121 - 41	AN122509	3D2	18	50 - 41	AR26732	1H8	12	24 - 125
AH96091	5H6	23	110 - 45	AN122518	3C20	32	50 - 33	AR28403	2C22	11	40 - 11
AH96244	6G2	19	121 - 25	AN122518	4D12	21	70 - 47	AR34612	1G3	..	24 - 94
AH96292	1B20	14	20 - 9	AN142665	5H22	6	110 - 61	AR41691	1G20	6	24 - 112
AH96292	1B20	15A	20 - 9	AN15237	6H22	10	121 - 69	AR41785	1C14	..	24 - 1
AH96317	2D6	4	40 - 19	AN15237	7F16	8	130 - 21	AR41870	1C14	..	24 - 1
AH96317	2D8	4	40 - 21	AN152995	4H8	7	80 - 43	AR42591	2E24	12	40 - 63
AH96317	2D10	12	40 - 23	AN191560	2C4	4	30 - 19	AR44402	1C15	1	24 - 2
AH96317	2D25	18	40 - 39	AN192773	5D8	7	90 - 43	AR48236	2B17	1	30 - 7
AH96317	2E2	18	40 - 41	AN193084	3C25	25	50 - 39	AR48236	2C6	2	30 - 21
AH96317	2E4	9	40 - 43	AN193085	3C16	23	50 - 29	AR48675	1G23	5	24 - 115
AH96317	2E18	4	40 - 57	AN193085	3C16	27	50 - 29	AR48675	1G24	7	24 - 117
AH96317	2E18	13	40 - 57	AN193085	3C16	28	50 - 29	AR48751	1B24	4	20 - 13
AH96317	2E22	16	40 - 61	AN193085	3D2	39	50 - 41	AR49352	2G16	9	40 - 103
AH96317	2F13	2	40 - 76	AN193085	3D2	41	50 - 41	AR50040	1H13	15	24 - 131
AH96317	3G6	11	60 - 25	AN193085	3D2	44	50 - 41	AR50040	1H15	15	24 - 133
AH96317	4C8	26	70 - 19	AN272356	3D3	9	50 - 42	AR50040	1H21	15	24 - 139
AH96317	4E11	8	70 - 73	AN274375	3C20	6	50 - 33	AR50874	1G3	5	24 - 94
AH96317	5E11	11	90 - 73	AN274375	3C21	2	50 - 34	AR50874	1G3	7	24 - 94
AH96317	5E15	3A	90 - 77	AN274375	3C21	4	50 - 34	AR50874	1G3	8	24 - 94
AH96317	5E15	3B	90 - 77	AN274375	3C21	..	50 - 34	AR51481	3G6	1	60 - 25
AH96317	5E19	11	90 - 81	AN31004	5F17	37	110 - 5	AR51481	5E11	1	90 - 73
AH96317	6F13	10	121 - 11	AN71222	6E18	7	120 - 81	AR54749	1C15	4	24 - 2
AH96317	7E16	2	125 - 77	AP23601	7B25	39	125 - 13	AR54749	1D8	8	24 - 20
AH96345	5F15	21	110 - 3	AR100124	1D2	3	24 - 14	AR54992	1H25	7	24 - 143
AH96359	4D12	36	70 - 47	AR100124	1D3	5	24 - 15	AR54997	1I2	4	24 - 145
AH96359	4D14	..	70 - 49	AR101549	1G19	6	24 - 111	AR55649	2F20	8	40 - 83
AH96359	4D16	..	70 - 51	AR101549	1G20	6	24 - 112	AR55946	1I3	18	24 - 146
AH96359	4D19	..	70 - 55	AR103165	1H6	24	24 - 123	AR55947	1H25	16	24 - 143
AH96585	7G4	5	130 - 33	AR103165	1H6	27	24 - 123	AR56766	2D2	32	40 - 15
AH97031	6G4	7	121 - 27	AR103811	1D2	3	24 - 14	AR60499	6F17	21	121 - 15
AH97031	6G22	10	121 - 45	AR103811	1D3	5	24 - 15	AR60499	6G4	47	121 - 27
AH97031	7E8	8	125 - 69	AR103811	1I20	13	24 - 165	AR61533	1I18	12	24 - 163
AH97280	3G16	11	60 - 35	AR104516	2D4	11	40 - 17	AR62399	1C4	7	20 - 17
AH97280	4C14	2	70 - 25	AR104520	2D4	12	40 - 17	AR62399	1J10	4	24 - 180
AH97340	5F25	2	110 - 13	AR104650	1F16	41	24 - 81	AR62407	2C20	1	40 - 9
AH97642	5F15	30	110 - 3	AR104650	1F18	1	24 - 83	AR62978	1E18	6	24 - 56
AH97642	5H14	19	110 - 53	AR104650	1F20	1	24 - 85	AR62979	1E18	10	24 - 56
AH97920	3G8	34	60 - 27	AR104650	1F23	13	24 - 89	AR63041	1I18	12	24 - 163
AH97920	5E13	34	90 - 75	AR104650	1F25	13	24 - 91	AR63218	1C14	1	24 - 1
AH98118	7G13	1	130 - 42	AR104664	1G2	3	24 - 93	AR63219	1C14	1	24 - 1

1K12

9400 MAXIMIZER COMBINE

NUMERICAL INDEX - CONTINUED

PART NO.	GRID	KEY	PAGE	PART NO.	GRID	KEY	PAGE	PART NO.	GRID	KEY	PAGE
AR63222	1C14	1	24 - 1	AR85788	1E19	6	24 - 58	AT21191	1D13	2	24 - 25
AR63351	1H6	29	24 - 123	AR85788	1E19	13	24 - 58	AT21191	1D13	5	24 - 25
AR63351	1H6	30	24 - 123	AR86092	1H4	12	24 - 121	AT21191	1D15	2	24 - 27
AR63356	1H6	21	24 - 123	AR86539	3D8	3	50 - 47	AT21191	1D15	5	24 - 27
AR63979	1C14	1	24 - 1	AR86539	3D14	3	50 - 53	AT21535	1E11	1	24 - 48
AR65005	2G7	1	40 - 94	AR86603	2C2	1	30 - 17	AT22070	5C14	1	90 - 25
AR65006	2G7	2	40 - 94	AR86745	1H13	13	24 - 131	AT22073	5C14	3	90 - 25
AR65293	2B23	6	30 - 13	AR86745	1H15	13	24 - 133	AT22562	1C16	5	24 - 3
AR65293	2B25	6	30 - 15	AR86745	1H21	13	24 - 139	AT22562	1I16	5	24 - 161
AR65293	2C2	6	30 - 17	AR89852	1F16	5	24 - 81	AT22919	1D13	2	24 - 25
AR65294	1G4	1	24 - 95	AR89852	1F16	5B	24 - 81	AT22919	1D13	5	24 - 25
AR65507	1D8	9	24 - 20	AR89852	1F18	5	24 - 83	AT22919	1D15	2	24 - 27
AR65507	1D10	3	24 - 22	AR90340	1G3	13	24 - 94	AT22919	1D15	5	24 - 27
AR65507	1D11	9	24 - 23	AR90369	6H2	8	121 - 49	AT24252	1C18	18	24 - 5
AR65507	1I22	30	24 - 167	AR90601	1G3	3	24 - 94	AT25192	1E25	4	24 - 64
AR65507	1I24	23	24 - 169	AR90861	6G24	19	121 - 47	AT25226	3B21	5	50 - 8
AR66400	1D9	7	24 - 21	AR91660	1C16	10	24 - 3	AT25226	3G24	7	60 - 43
AR66402	1E19	3A	24 - 58	AR91660	1C18	10	24 - 5	AT25226	3H8	9	60 - 51
AR66406	1H8	14	24 - 125	AR91793	2G4	42	40 - 91	AT25266	1J4	3	24 - 174
AR66778	1H25	19	24 - 143	AR94522	4C2	6	70 - 13	AT25266	1J5	3	24 - 175
AR67827	1H25	9	24 - 143	AR94522	4C6	32	70 - 17	AT26407	2D2	34	40 - 15
AR67942	1C16	14	24 - 3	AR94522	7D12	13	125 - 49	AT27126	2F4	12	40 - 67
AR67942	1C18	14	24 - 5	AR94522	7D14	16	125 - 51	AT27127	2F4	15	40 - 67
AR67942	1C20	2	24 - 7	AR94761	3C5	6	50 - 17	AT28975	6F5	16	121 - 3
AR67942	1D24	1	24 - 37	AR97517	1D9	8	24 - 21	AT37368	2E18	2	40 - 57
AR67942	1E2	1	24 - 39	AT103553	2C2	4	30 - 17	AT37476	1B22	13	20 - 11
AR68430	1H25	17	24 - 143	AT104021	2C6	9	30 - 21	AT37476	2B23	5	30 - 13
AR70106	2B25	13	30 - 15	AT104113	2B25	2	30 - 15	AT37476	2B25	5	30 - 15
AR70106	2B25	18	30 - 15	AT104113	2B25	9	30 - 15	AT39043	2D25	1	40 - 39
AR70107	2B25	18	30 - 15	AT105289	1B22	13	20 - 11	AT39141	1B22	1	20 - 11
AR70464	1H6	5	24 - 123	AT106413	2C6	4	30 - 21	AT39623	2B19	12	30 - 9
AR71080	1D8	11	24 - 20	AT115060	2B25	2	30 - 15	AT39623	2E20	18	40 - 59
AR71107	5D8	1	90 - 43	AT125596	5E19	17	90 - 81	AT40603	3C9	1	50 - 21
AR71108	5D8	18	90 - 43	AT130104	2G20	1	40 - 107	AT47901	6F19	16	121 - 17
AR71109	5D8	19	90 - 43	AT135485	2C22	13	40 - 11	AT48334	6F11	20	121 - 9
AR73144	2F14	16	40 - 77	AT135485	2C22	17	40 - 11	AT48334	6F13	18	121 - 11
AR73144	2F16	16	40 - 79	AT13740	1D16	1	24 - 28	AT57288	2B19	11	30 - 9
AR73144	2F18	16	40 - 81	AT13740	1E4	26	24 - 41	AT63170	5E19	17	90 - 81
AR73234	2B25	15	30 - 15	AT13740	2B13	13	30 - 3	AT63272	3C18	4	50 - 31
AR73979	1F4	11	24 - 69	AT13740	2B17	23	30 - 7	AT63272	3C18	5	50 - 31
AR74110	1G20	11	24 - 112	AT13740	2C4	6	30 - 19	AT63272	3C18	9	50 - 31
AR75693	3G4	17	60 - 23	AT141987	2D21	8	40 - 35	AT66481	2D21	7	40 - 35
AR76128	1D8	11	24 - 20	AT146272	6F19	9	121 - 17	AT73296	1C4	1	20 - 17
AR76129	1C21	4	24 - 8	AT146272	6F21	5	121 - 19	AT75941	3G2	..	60 - 21
AR76129	1D8	11	24 - 20	AT162597	2C6	9	30 - 21	AT81268	2B15	13	30 - 5
AR76130	1D8	11	24 - 20	AT16887	6F19	1	121 - 17	AT81476	2B15	12	30 - 5
AR76131	1D8	11	24 - 20	AT180350	1J9	3	24 - 179	AT81477	2B15	10	30 - 5
AR79465	1E19	18	24 - 58	AT18188	1D2	4	24 - 14	AT81478	2B15	11	30 - 5
AR79548	2D23	1	40 - 37	AT18188	1D3	6	24 - 15	AT85197	4F13	10	70 - 101
AR79549	2D23	17	40 - 37	AT18904	1C6	2	20 - 19	AU40993	3D17	2	50 - 56
AR79550	2D23	11	40 - 37	AT18904	2B13	5	30 - 3	AU40993	3D18	2	50 - 57
AR80116	1G20	10	24 - 112	AT18904	2B17	5	30 - 7	AU43853	2D21	4	40 - 35
AR80652	2B23	17	30 - 13	AT18904	2G18	5	40 - 105	AU43857	2D21	9	40 - 35
AR80652	2B23	20	30 - 13	AT207952	2F6	13	40 - 69	AW12765	3F24	1	60 - 18
AR80652	2B25	13	30 - 15	AT21108	1C18	20	24 - 5	AZ10044	1B12	6	20 - 1
AR80652	2B25	18	30 - 15	AT21110	1C18	20	24 - 5	AZ10044	1B14	36	20 - 3
AR80653	2B23	20	30 - 13	AT21110	1C21	6	24 - 8	AZ10044	6D6	5	120 - 45
AR80653	2B25	18	30 - 15	AT21112	1C18	20	24 - 5	AZ10044	7E12	4	125 - 73
AR81313	2B23	18	30 - 13	AT21114	1C18	20	24 - 5	AZ10044	7E12	12	125 - 73
AR81313	2B23	20	30 - 13	AT21130	1C18	21	24 - 5	AZ10044	7E12	22	125 - 73
AR81788	1C21	7	24 - 8	AT21132	1C18	21	24 - 5	AZ10044	7E14	4	125 - 75
AR84006	2G6	40	40 - 93	AT21134	1C18	21	24 - 5	AZ10044	7E14	12	125 - 75
AR84732	1H13	10	24 - 131	AT21136	1C18	21	24 - 5	AZ10044	7E23	3	130 - 3
AR85519	1F20	5	24 - 85	AT21139	1C18	21	24 - 5	AZ10045	7D22	3	125 - 59
AR85519	1F23	1	24 - 89	AT21139	1C20	9	24 - 7	AZ10045	7E10	13	125 - 71
AR85519	1F25	1	24 - 91	AT21140	1C18	20	24 - 5	AZ10045	7E23	9	130 - 3
AR85615	1F20	31	24 - 85	AT21140	1C20	8	24 - 7	AZ10045	7F6	2	130 - 11

NUMERICAL INDEX - CONTINUED

PART NO.	GRID	KEY	PAGE	PART NO.	GRID	KEY	PAGE	PART NO.	GRID	KEY	PAGE
AZ19427	5H24	15	110 - 63	A44990	5G6	15	110 - 19	BH79711	2C22	..	40 - 11
AZ19427	6E20	5	120 - 83	A44990	7E2	34	125 - 63	BH79773	6D12	..	120 - 51
AZ20216	6H20	15	121 - 67	A4655R	4D10	1	70 - 45	BH79815	7D2	..	125 - 39
AZ31008	5C16	2	90 - 27	A4655R	4D12	1	70 - 47	BH79903	3D17	..	50 - 56
AZ31008	5C18	4	90 - 29	A4655R	4D14	1	70 - 49	BH79903	3D18	..	50 - 57
AZ31008	5C20	4	90 - 31	A4655R	4D16	1	70 - 51	BH79904	3E16	..	50 - 81
AZ42315	5C16	2	90 - 27	A4655R	4D17	1	70 - 52	BH79964	3E2	..	50 - 67
AZ42315	5C18	4	90 - 29	A4655R	4D19	1	70 - 55	BH79964	3E8	..	50 - 73
AZ42315	5C20	4	90 - 31	A4655R	4D21	1	70 - 57	BH80007	7C12	..	125 - 25
AZ47075	4D16	13	70 - 51	A4655R	4D23	1	70 - 59	BH80007	7C14	..	125 - 27
AZ47075	4D16	24	70 - 51	A4655R	4D25	21	70 - 61	BH80007	7D18	..	125 - 55
AZ47075	4D17	13	70 - 52	A4655R	4E2	21	70 - 63	BH80007	7D20	..	125 - 57
AZ47075	4D17	22	70 - 52	A4730R	6F15	20	121 - 13	BH80037	4G20	..	80 - 31
AZ47075	4D19	24	70 - 55	A4741R	5E8	3	90 - 69	BH80037	4H10	..	80 - 45
AZ47075	4D21	22	70 - 57	A4827R	1D5	15	24 - 17	BH80063	7C10	..	125 - 23
AZ47075	4D23	22	70 - 59	A4827R	1D7	14	24 - 19	BH80066	7E23	..	130 - 3
AZ47075	4D25	10	70 - 61	A4827R	1J2	17	24 - 171	BH80073	7C4	..	125 - 17
AZ47075	4D25	29	70 - 61	A50743	2G23	7	40 - 111	BH80073	7C10	..	125 - 23
AZ47075	4E2	10A	70 - 63	A50743	5H20	4	110 - 59	BH80073	7C12	..	125 - 25
AZ47075	4E2	10B	70 - 63	A50744	1B12	14	20 - 1	BH80073	7C14	..	125 - 27
AZ47075	4E2	10C	70 - 63	A50744	1B14	27	20 - 3	BH80124	6I2	..	121 - 73
AZ49140	5C16	2	90 - 27	A50744	3H4	8	60 - 47	BH80129	6D6	..	120 - 45
AZ49140	5C18	4	90 - 29	A51212	1B16	20	20 - 5	BH80129	6D8	..	120 - 47
AZ49144	4D9	2	70 - 44	A51212	7B25	24	125 - 13	BH80153	6H22	..	121 - 69
AZ51581	4D21	..	70 - 57	A51212	7C6	6	125 - 19	BH80153	6I2	..	121 - 73
AZ51851	4D12	36	70 - 47	A51212	7F16	16	130 - 21	BH80153	6I6	..	121 - 77
AZ51851	4D14	..	70 - 49	BH71710	7E2	..	125 - 63	BH80153	7B15	..	125 - 3
AZ51851	4D16	..	70 - 51	BH71710	7E23	..	130 - 3	BH80153	7C2	..	125 - 15
AZ51851	4D17	..	70 - 52	BH71710	7E25	..	130 - 5	BH80153	7C4	..	125 - 17
AZ51851	4D19	..	70 - 55	BH71727	3G24	..	60 - 43	BH80153	7C8	..	125 - 21
AZ51851	4D23	..	70 - 59	BH71728	3G24	..	60 - 43	BH80175	7C24	..	125 - 37
A120R	1C16	2	24 - 3	BH71735	3G24	..	60 - 43	BH80176	7C24	..	125 - 37
A120R	1C21	1	24 - 8	BH71746	3D4	..	50 - 43	BH80228	6C3	..	120 - 16
A1402R	6F11	18	121 - 9	BH71746	3D17	..	50 - 56	BH80263	7C18	..	125 - 31
A15146	5G2	8	110 - 15	BH71746	3D18	..	50 - 57	BH80263	7C22	..	125 - 35
A15146	7F16	18	130 - 21	BH71877	6C11	..	120 - 25	BH80263	7D2	..	125 - 39
A15147	4G20	22	80 - 31	BH71883	3D4	..	50 - 43	BH80263	7D4	..	125 - 41
A15147	5G10	6	110 - 23	BH71883	3D17	..	50 - 56	BH80263	7D6	..	125 - 43
A15147	6E22	2C	120 - 85	BH71887	2E16	..	40 - 55	BH80263	7D8	..	125 - 45
A15147	6E23	1	120 - 86	BH71887	5C24	..	90 - 35	BH80263	7D10	..	125 - 47
A15147	7G2	6	130 - 31	BH71912	3B21	..	50 - 8	BH80263	7D14	..	125 - 51
A15898	4C6	36	70 - 17	BH71917	5C8	..	90 - 19	BH80263	7D16	..	125 - 53
A15898	7D12	12	125 - 49	BH71919	5C8	..	90 - 19	BH80264	7C18	..	125 - 31
A22724	7G22	9	130 - 51	BH71935	6G10	..	121 - 33	BH80264	7C22	..	125 - 35
A24915	1C6	5	20 - 19	BH71935	6G12	..	121 - 35	BH80264	7D2	..	125 - 39
A25695	5F25	16	110 - 13	BH71936	6C11	..	120 - 25	BH80264	7D4	..	125 - 41
A27238	1C6	3	20 - 19	BH71936	6C17	..	120 - 31	BH80264	7D6	..	125 - 43
A2913R	1C7	3	20 - 20	BH71948	2D19	..	40 - 33	BH80264	7D8	..	125 - 45
A2913R	7H23	2	170 - 9	BH78337	2F12	..	40 - 75	BH80264	7D10	..	125 - 47
A2913R	7I24	5	170 - 36	BH78343	5D6	..	90 - 41	BH80264	7D14	..	125 - 51
A31867	3G22	8	60 - 41	BH78358	6H8	..	121 - 55	BH80264	7D16	..	125 - 53
A31867	3G23	8	60 - 42	BH78370	2D23	..	40 - 37	BH80267	4C22	..	70 - 33
A31867	4G10	28	80 - 21	BH78374	7H10	..	160 - 1	BH80337	7F10	..	130 - 15
A31867	5F25	10	110 - 13	BH78486	6C7	..	120 - 21	BH80491	6C2	..	120 - 15
A31867	6C7	3	120 - 21	BH78496	6C7	..	120 - 21	BH80497	6C2	..	120 - 15
A31869	7H2	7	130 - 55	BH78575	6D16	..	120 - 55	BH80538	4H12	..	80 - 47
A31870	5G19	3	110 - 33	BH78623	6H6	..	121 - 53	BH80538	4H14	..	80 - 49
A31870	7D22	23	125 - 59	BH79019	4B22	..	70 - 9	BH80538	4H16	..	80 - 51
A31871	5G19	3	110 - 33	BH79019	4B24	..	70 - 11	BH80538	4H18	..	80 - 53
A31871	7H2	15	130 - 55	BH79118	7G12	..	130 - 41	BH80538	5I2	..	110 - 65
A3581R	7F16	18	130 - 21	BH79239	6G8	..	121 - 31	BH80539	5I2	..	110 - 65
A364R	1G21	7	24 - 113	BH79485	2D2	..	40 - 15	BH80671	5C8	..	90 - 19
A37576	6D24	3	120 - 63	BH79485	2F22	..	40 - 85	BH80673	5C8	..	90 - 19
A3910R	1F8	7	24 - 73	BH79486	6H22	..	121 - 69	BH80677	2G18	..	40 - 105
A3917R	1E11	2	24 - 48	BH79543	5G8	..	110 - 21	BH80678	2G18	..	40 - 105
A3917R	3C25	24	50 - 39	BH79685	6D10	..	120 - 49	BH81006	6D4	..	120 - 43
A3917R	3F9	3	60 - 3	BH79685	6D12	..	120 - 51	BH81040	7B15	..	125 - 3

1K14

9400 MAXIMIZER COMBINE

NUMERICAL INDEX - CONTINUED

PART NO.	GRID	KEY	PAGE	PART NO.	GRID	KEY	PAGE	PART NO.	GRID	KEY	PAGE
BH81052	5C14	..	90 - 25	C10232	7E3	10	125 - 64	E62917	4D14	22	70 - 49
BH81076	5D17	..	90 - 53	C10232	7F2	10	130 - 7	E62917	4D14	23	70 - 49
BH81084	7H13	..	160 - 4	C10233	7E3	10	125 - 64	E62917	4D25	11	70 - 61
BH81124	7F10	..	130 - 15	C10233	7F2	10	130 - 7	E62917	4D25	26	70 - 61
BH81159	5D9	..	90 - 44	C10263	7E3	10	125 - 64	E62917	4E2	11	70 - 63
BH81159	5D10	..	90 - 45	C10263	7F2	10	130 - 7	E62917	4E2	26	70 - 63
BH81162	6C2	..	120 - 15	C16054	4C20	15A	70 - 31	E62942	4D10	2	70 - 45
BH81165	7G14	..	130 - 43	C16054	4C22	18A	70 - 33	E62942	4D12	2	70 - 47
BH81191	6H8	..	121 - 55	C16071	3G18	..	60 - 37	E62942	4D14	2	70 - 49
BH81255	2G25	..	40 - 113	C3203E	4G10	12	80 - 21	E62942	4D16	2	70 - 51
BH81335	6C7	..	120 - 21	C3936E	3C9	2	50 - 21	E62942	4D17	2	70 - 52
BH81335	6C9	..	120 - 23	DE18970	7G13	3	130 - 42	E62942	4D19	2	70 - 55
BH81356	2C18	..	40 - 7	DE19111	7F14	14	130 - 19	E62942	4D21	2	70 - 57
BH81356	5C24	..	90 - 35	DE19111	7F14	20	130 - 19	E62942	4D23	2	70 - 59
BH81390	4B22	..	70 - 9	DE19111	7F14	24	130 - 19	E62942	4D25	19	70 - 61
BH81390	4C16	..	70 - 27	DE19111	7F14	25	130 - 19	E62942	4E2	19	70 - 63
BH81390	5G2	..	110 - 15	E10018	4F18	2	80 - 4	E62951	5F21	6	110 - 9
BH81390	5H6	..	110 - 45	E10018	6D2	19	120 - 41	E62951	5G15	5	110 - 28
BH81390	5H10	..	110 - 49	E10018	6H4	42	121 - 51	E64256	2D19	4	40 - 33
BH81390	5H20	..	110 - 59	E10018	7D22	4	125 - 59	E64256	3F15	36	60 - 9
BH81390	5H22	..	110 - 61	E10018	7E3	5	125 - 64	E64256	4F21	8	80 - 7
BH81390	5H24	..	110 - 63	E10018	7E10	14	125 - 71	E64256	7H2	14	130 - 55
BH81420	2G21	..	40 - 108	E10018	7E23	10A	130 - 3	E65288	3C16	..	50 - 29
BH81430	4H16	..	80 - 51	E10018	7F6	3	130 - 11	E65288	3C18	..	50 - 31
BH81446	4C16	..	70 - 27	E12305	6G10	22	121 - 33	E65288	3C20	..	50 - 33
BH81446	5G2	..	110 - 15	E12379	6C21	22	120 - 35	E65288	3C22	28	50 - 35
BH81446	5G6	..	110 - 19	E12379	6E16	13	120 - 79	E65288	3C23	25	50 - 36
BH81446	5H6	..	110 - 45	E12379	6E18	11	120 - 81	E65288	3F2	3	50 - 93
BH81446	5H10	..	110 - 49	E12379	7E16	4	125 - 77	E65288	3F2	6	50 - 93
BH81446	5H20	..	110 - 59	E12379	7E18	6	125 - 79	E65288	4E5	2B	70 - 67
BH81446	5H22	..	110 - 61	E12379	7H6	1	130 - 59	E66618	4D12	24	70 - 47
BH81446	5H24	..	110 - 63	E12379	7H8	1	130 - 61	E66619	4D12	19	70 - 47
BH81453	2C19	..	40 - 8	E17421	2B23	22	30 - 13	E66620	4D12	18	70 - 47
BH81453	2F11	..	40 - 74	E17421	2B25	16	30 - 15	E69392	1C18	23	24 - 5
BH81453	2F12	..	40 - 75	E18993	6G16	6	121 - 39	E70736	6C5	8	120 - 19
BH81482	5H10	..	110 - 49	E46113	6I2	19	121 - 73	E76372	7B25	37A	125 - 13
BH81704	3B23	..	50 - 10	E46113	7H18	3	170 - 4	E81185	5G12	9	110 - 25
BH81705	3B23	..	50 - 10	E47782	6C7	22	120 - 21	E82510	7I4	4	170 - 15
BH81706	3B23	..	50 - 10	E47782	6C9	10	120 - 23	E82510	7I19	24	170 - 30
BP12946	5H16	4	110 - 55	E50096	6B17	10	120 - 5	E82514	5H16	9	110 - 55
BP13616	6H20	13	121 - 67	E50096	6B19	11	120 - 7	E82575	7I14	4	170 - 25
BP13620	5F17	22	110 - 5	E50096	6B21	11	120 - 9	E82575	7I19	24	170 - 30
BP13620	6H2	1	121 - 49	E53699	5F17	12	110 - 5	F1451R	1B22	16	20 - 11
B10604	6G22	3	121 - 45	E55662	7G8	8	130 - 37	F1649R	2B15	14	30 - 5
B2290R	5C10	6	90 - 21	E55758	3D10	6	50 - 49	F3220R	2D19	22	40 - 33
B27370	7F22	12	130 - 27	E56866	6F19	16	121 - 17	F3220R	2D21	21	40 - 35
B27835	7B25	35B	125 - 13	E56866	6F21	15	121 - 19	GG310-30411	4E5	1	70 - 67
B28970	7B25	29	125 - 13	E58183	5D15	8	90 - 51	HZ5621H	4H10	14	80 - 45
B28970	7C4	7	125 - 17	E59406	6H20	10	121 - 67	HZ5621H	6B23	7	120 - 11
B2984R	1B23	4	20 - 12	E61791	4E7	1	70 - 69	H100244	5H6	20	110 - 45
B2984R	6H20	14	121 - 67	E61791	7D16	1	125 - 53	H100245	5H6	22	110 - 45
B3118R	5F15	8	110 - 3	E62089	4D12	6	70 - 47	H100246	5H6	21	110 - 45
B3118R	5F17	13	110 - 5	E62089	4D14	6	70 - 49	H100247	5H6	19	110 - 45
B3118R	6G18	8	121 - 41	E62089	4D16	6	70 - 51	H100796	6H8	22	121 - 55
B32564	3F23	23	60 - 17	E62089	4D17	6	70 - 52	H101297	7E2	15	125 - 63
B32630	2F10	2	40 - 73	E62089	4D19	6	70 - 55	H101297	7E25	1	130 - 5
B32630	4H8	12	80 - 43	E62089	4D23	6	70 - 59	H101436	6I2	19	121 - 73
B3690R	3G6	36	60 - 25	E62092	4D16	17	70 - 51	H101436	7H18	3	170 - 4
B3690R	5E11	36	90 - 73	E62092	4D19	17	70 - 55	H101448	5H6	12	110 - 45
CC25449	5C20	11B	90 - 31	E62093	4D16	15	70 - 51	H101677	5G19	8	110 - 33
CD16045	1116	4	24 - 161	E62093	4D19	15	70 - 55	H101813	2F5	3	40 - 68
CD16284	1F4	9	24 - 69	E62094	4D16	14	70 - 51	H101813	2F6	3	40 - 69
CD16284	1F6	9	24 - 71	E62094	4D17	14	70 - 52	H101813	5E21	17	90 - 83
CD16284	1F10	7	24 - 75	E62094	4D19	14	70 - 55	H101813	7H16	1	170 - 2
CE18201	3C7	1	50 - 19	E62094	4D21	14	70 - 57	H101813	7H17	4	170 - 3
CE18206	3F23	22	60 - 17	E62094	4D23	14	70 - 59	H101870	5F9	22	90 - 97
C10232	5G25	35	110 - 39	E62892	4D25	6	70 - 61	H101878	6F7	5	121 - 5

1K15

9400 MAXIMIZER COMBINE

NUMERICAL INDEX - CONTINUED

PART NO.	GRID	KEY	PAGE	PART NO.	GRID	KEY	PAGE	PART NO.	GRID	KEY	PAGE
H102206	3H6	4	60 - 49	H107586	5E13	51	90 - 75	H110842	5F11	1	90 - 99
H102497	5G19	7	110 - 33	H107687	3G6	12	60 - 25	H110848	2C16	8	40 - 5
H102533	4F18	4	80 - 4	H107687	3G8	8	60 - 27	H110922	5F15	10	110 - 3
H102533	6D2	21	120 - 41	H107687	5E11	12	90 - 73	H110922	5H14	2	110 - 53
H102533	6G4	36	121 - 27	H107687	5E13	8	90 - 75	H110923	7I18	4	170 - 29
H102533	6H4	43	121 - 51	H107735	5F15	14	110 - 3	H111041	6G10	2	121 - 33
H102909	7G24	7	130 - 53	H107793	5F15	3	110 - 3	H111042	6G10	28	121 - 33
H103167	3C7	8	50 - 19	H108291	3F11	6	60 - 5	H111234	3F17	15	60 - 11
H103264	1B12	7	20 - 1	H108291	4C12	12	70 - 23	H111260	6G10	1	121 - 33
H103264	1B14	37	20 - 3	H108604	3B21	..	50 - 8	H111261	6G10	1	121 - 33
H103264	6C25	18	120 - 39	H108604	3G24	..	60 - 43	H111262	6G10	1	121 - 33
H103264	7C16	15	125 - 29	H108604	3H8	..	60 - 51	H111364	2C16	2	40 - 5
H103264	7E12	5	125 - 73	H108604	7I21	2	170 - 33	H111364	2G16	2	40 - 103
H103264	7E14	5	125 - 75	H108604	7I21	4	170 - 33	H111364	5E2	16	90 - 63
H103264	7E14	13	125 - 75	H108673	5F15	7	110 - 3	H111364	5F11	2	90 - 99
H103264	7E23	4	130 - 3	H108725	3G8	24	60 - 27	H111378	4B16	1	70 - 3
H103264	7G18	14	130 - 47	H108725	5E13	24	90 - 75	H111474	6F11	13	121 - 9
H103264	7G20	15	130 - 49	H108745	4E9	11	70 - 71	H111478	5C8	7	90 - 19
H103265	6E20	4	120 - 83	H108822	3G6	34	60 - 25	H111541	3H8	..	60 - 51
H103265	7G22	19	130 - 51	H108822	5E11	34	90 - 73	H111541	7I21	2	170 - 33
H103265	7G24	8	130 - 53	H108889	5H14	4	110 - 53	H111705	5E2	12	90 - 63
H103265	7H2	33	130 - 55	H109046	3F11	14	60 - 5	H111705	5F11	3	90 - 99
H103543	3G24	3	60 - 43	H109046	3G12	18	60 - 31	H111706	2C22	2	40 - 11
H103543	3H8	1	60 - 51	H109046	4B18	16	70 - 5	H111706	2D2	14	40 - 15
H104075	3F15	31	60 - 9	H109046	4C6	23	70 - 17	H111706	5E2	3	90 - 63
H104418	2E2	15	40 - 41	H109046	4C10	12	70 - 21	H111706	5E15	35	90 - 77
H104418	3C9	24	50 - 21	H109046	4D6	6	70 - 41	H111706	5F11	4	90 - 99
H104793	2E13	3	40 - 52	H109093	7G16	1A	130 - 45	H111730	3D25	2	50 - 65
H104793	7B23	5	125 - 11	H109146	2F10	6	40 - 73	H111730	3E2	2	50 - 67
H104794	2E13	3	40 - 52	H109254	3F19	15	60 - 13	H111730	3E4	21	50 - 69
H104794	7B23	4	125 - 11	H109539	3G8	9	60 - 27	H111730	3G12	20	60 - 31
H104795	2E13	4	40 - 52	H109539	5E4	8	90 - 65	H111730	4D6	11	70 - 41
H104795	6D2	7	120 - 41	H109539	5E13	9	90 - 75	H112162	3C3	23	50 - 15
H104796	2E13	4	40 - 52	H109716	3F15	26	60 - 9	H112162	4B18	14	70 - 5
H104796	6D2	8	120 - 41	H109845	6E16	11	120 - 79	H112162	5D2	23	90 - 37
H104855	2G2	9	40 - 89	H109855	5G19	7	110 - 33	H112567	1C6	12	20 - 19
H105005	3F15	32	60 - 9	H110168	6G16	2	121 - 39	H112567	3D21	21	50 - 61
H105005	3F17	16	60 - 11	H110178	6D14	8	120 - 53	H112567	3D23	14	50 - 63
H105353	5F17	18	110 - 5	H110178	6D22	7	120 - 61	H112567	3D23	21	50 - 63
H105519	7E2	16	125 - 63	H110178	6E2	5	120 - 65	H112567	3D25	3	50 - 65
H105578	6H4	57	121 - 51	H110178	6E6	7	120 - 69	H112567	3E2	3	50 - 67
H105584	5G19	12	110 - 33	H110178	6F13	1	121 - 11	H112567	3E4	20	50 - 69
H105590	5G19	9	110 - 33	H110229	3G8	6	60 - 27	H112567	3E10	10	50 - 75
H105909	5F17	11	110 - 5	H110229	5E13	6	90 - 75	H112567	3E12	5	50 - 77
H105912	5F17	1	110 - 5	H110232	3F15	14	60 - 9	H112567	3E16	13	50 - 81
H106000	2G18	4	40 - 105	H110237	6G4	33	121 - 27	H112567	3E18	13	50 - 83
H106073	5F17	25	110 - 5	H110310	3G8	5	60 - 27	H112567	3E19	5	50 - 84
H106246	2D2	6	40 - 15	H110310	5E4	7	90 - 65	H112567	3F4	5	50 - 95
H107004	2C14	16	40 - 3	H110310	5E13	5	90 - 75	H112567	3F13	8	60 - 7
H107389	6G18	16	121 - 41	H110337	6G10	35	121 - 33	H112567	3G10	11	60 - 29
H107504	3B22	4	50 - 9	H110438	7I16	10	170 - 27	H112567	3G12	21	60 - 31
H107504	3B24	1	50 - 11	H110462	6G10	26	121 - 33	H112567	4C2	11	70 - 13
H107566	3G8	4	60 - 27	H110521	6G10	24	121 - 33	H112567	4C4	15	70 - 15
H107566	5B24	18	90 - 11	H110539	3C5	31	50 - 17	H112567	4D4	6	70 - 39
H107566	5E4	18	90 - 65	H110539	3C7	15	50 - 19	H112567	4D6	10	70 - 41
H107566	5E13	4	90 - 75	H110542	6G12	6	121 - 35	H112567	4F2	4	70 - 89
H107567	3G8	33	60 - 27	H110700	3G8	21	60 - 27	H112567	7D10	5	125 - 47
H107567	5E13	33	90 - 75	H110700	5E13	21	90 - 75	H112567	7D12	7	125 - 49
H107570	3G8	50	60 - 27	H110728	5F15	16	110 - 3	H112567	7D14	7	125 - 51
H107570	5E13	50	90 - 75	H110800	6F13	13	121 - 11	H112877	6G10	21	121 - 33
H107581	3G8	12	60 - 27	H110800	6F15	5	121 - 13	H112910	3F19	7	60 - 13
H107581	5E13	12	90 - 75	H110801	6F13	15	121 - 11	H112911	3F19	3	60 - 13
H107582	3G8	28	60 - 27	H110801	6F15	7	121 - 13	H112911	3F19	11	60 - 13
H107582	5E13	28	90 - 75	H110812	3G6	13	60 - 25	H113053	7G4	9	130 - 33
H107584	3G8	29	60 - 27	H110812	5E4	13	90 - 65	H113063	6G10	27	121 - 33
H107584	5E13	29	90 - 75	H110812	5E11	13	90 - 73	H113134	3C9	22	50 - 21
H107586	3G8	51	60 - 27	H110842	2C16	16	40 - 5	H113196	3E21	18	50 - 87

1K16

9400 MAXIMIZER COMBINE

NUMERICAL INDEX - CONTINUED

PART NO.	GRID	KEY	PAGE	PART NO.	GRID	KEY	PAGE	PART NO.	GRID	KEY	PAGE
H113208	6G10	19	121 - 33	H114687	6G10	34	121 - 33	H116188	5C6	14	90 - 17
H113238	6G10	23	121 - 33	H114688	6G10	38	121 - 33	H116213	4E5	9	70 - 67
H113279	3G6	15A	60 - 25	H114689	6G10	44	121 - 33	H116213	4E7	10	70 - 69
H113279	5E11	15A	90 - 73	H114709	7G18	9	130 - 47	H116213	7D16	12	125 - 53
H113402	3G8	19	60 - 27	H114709	7G20	20	130 - 49	H116262	7H2	10	130 - 55
H113402	5E13	19	90 - 75	H114738	7H2	42	130 - 55	H116292	7G20	2	130 - 49
H113404	3G8	18	60 - 27	H114818	1B16	2	20 - 5	H116333	3B22	6	50 - 9
H113404	5E13	18	90 - 75	H114818	1B18	1	20 - 7	H116333	3B23	3	50 - 10
H113625	6C21	15	120 - 35	H114865	3E16	11	50 - 81	H116351	7G8	9	130 - 37
H113625	6D6	20	120 - 45	H114865	3E18	11	50 - 83	H116359	5D6	4	90 - 41
H113626	6C21	17	120 - 35	H114865	3E19	4	50 - 84	H116639	3B21	..	50 - 8
H113626	6D6	23	120 - 45	H114865	3F4	6	50 - 95	H116640	3B21	..	50 - 8
H113627	6G10	9	121 - 33	H114865	3F13	9	60 - 7	H116640	7I21	4	170 - 33
H113717	7G18	8	130 - 47	H114865	4D4	7	70 - 39	H116641	3G24	..	60 - 43
H113717	7G20	21	130 - 49	H114873	7G20	5	130 - 49	H116641	3H8	..	60 - 51
H113858	3G6	4	60 - 25	H114876	3D21	5	50 - 61	H116641	7I21	1	170 - 33
H113858	5E11	4	90 - 73	H114876	3D21	13	50 - 61	H116706	4C12	9	70 - 23
H113863	3G6	16	60 - 25	H114897	1C6	13	20 - 19	H116706	4C12	12	70 - 23
H113863	5E11	16	90 - 73	H114897	3D21	20	50 - 61	H116717	4C6	3	70 - 17
H113864	3G8	14	60 - 27	H114897	3D23	6	50 - 63	H116717	4C8	10	70 - 19
H113864	5E13	14	90 - 75	H114897	3D23	20	50 - 63	H116717	4C10	2	70 - 21
H113892	5F23	9	110 - 11	H114897	4C4	14	70 - 15	H116740	2F14	1	40 - 77
H113924	2C16	14	40 - 5	H114897	4C4	17	70 - 15	H116740	2F14	7	40 - 77
H113946	6G10	32	121 - 33	H114898	3E16	15	50 - 81	H116740	2F16	1	40 - 79
H113947	6G10	7	121 - 33	H114898	3E18	15	50 - 83	H116740	2F18	1	40 - 81
H114001	6G12	15	121 - 35	H114901	3D23	10	50 - 63	H116740	4F23	4	80 - 9
H114001	7C4	21B	125 - 17	H114901	3E2	9	50 - 67	H116861	6G14	5	121 - 37
H114020	2G14	11	40 - 101	H114901	3E4	13	50 - 69	H116862	6G14	4	121 - 37
H114020	7D6	3	125 - 43	H114901	3E14	2	50 - 79	H116862	6H18	16	121 - 65
H114020	7D6	10	125 - 43	H114901	3E16	16	50 - 81	H116894	4C16	9	70 - 27
H114038	2C14	3	40 - 3	H114901	3E18	16	50 - 83	H116916	6H6	20	121 - 53
H114038	2D4	21	40 - 17	H115031	5E15	9	90 - 77	H117239	2C16	12	40 - 5
H114038	2D10	10	40 - 23	H115140	3G18	8	60 - 37	H117239	2D4	19	40 - 17
H114038	2D12	9	40 - 25	H115140	3G19	7	60 - 38	H117692	7C12	8	125 - 25
H114038	5C6	12	90 - 17	H115179	6C5	16	120 - 19	H117694	7C12	12	125 - 25
H114038	5F11	5	90 - 99	H115179	6C15	4	120 - 29	H117696	7C12	5	125 - 25
H114046	5E17	3	90 - 79	H115379	3E10	11	50 - 75	H117703	6G10	15	121 - 33
H114100	6H2	3	121 - 49	H115379	3E12	6	50 - 77	H117937	4C12	5	70 - 23
H114134	6G24	24	121 - 47	H115521	2D16	1	40 - 29	H117952	2E8	9	40 - 47
H114142	5E15	11	90 - 77	H115521	5E17	1	90 - 79	H117952	5F9	10	90 - 97
H114226	6F19	13	121 - 17	H115533	3G12	23	60 - 31	H117953	6B15	6	120 - 3
H114226	6F21	13	121 - 19	H115533	3G12	27	60 - 31	H118068	6B15	12	120 - 3
H114227	6F19	13	121 - 17	H115533	4B18	2	70 - 5	H118082	6G10	12	121 - 33
H114227	6F21	13	121 - 19	H115533	4C2	18	70 - 13	H118153	5D13	16	90 - 49
H114228	6F19	13	121 - 17	H115533	4C8	1	70 - 19	H118166	6C19	3	120 - 33
H114228	6F21	13	121 - 19	H115596	6G16	8	121 - 39	H118416	2C14	10	40 - 3
H114270	7I16	13	170 - 27	H115599	6G18	1	121 - 41	H118422	2E16	19	40 - 55
H114320	7I16	13	170 - 27	H115755	6G4	19	121 - 27	H118425	2E22	21	40 - 61
H114321	7I16	10	170 - 27	H115759	6G4	25	121 - 27	H118426	2D25	7	40 - 39
H114330	3F17	13	60 - 11	H115759	6G18	3	121 - 41	H118426	2E4	8	40 - 43
H114331	3F17	10	60 - 11	H115759	7H17	6	170 - 3	H118427	2E2	3	40 - 41
H114379	6H6	19	121 - 53	H115881	6G6	4	121 - 29	H118430	2C14	17	40 - 3
H114395	7G22	10	130 - 51	H115881	6G10	39	121 - 33	H118430	2C24	3	40 - 13
H114411	2E16	8	40 - 55	H115881	6G18	20	121 - 41	H118431	2C14	15	40 - 3
H114432	1C6	15	20 - 19	H115881	7H17	7	170 - 3	H118539	5E21	13	90 - 83
H114432	3E10	21	50 - 75	H115930	6G4	12	121 - 27	H118543	5E21	15	90 - 83
H114432	3E12	15	50 - 77	H115987	5D13	9	90 - 49	H118583	5G17	20	110 - 31
H114432	4C4	10	70 - 15	H115988	5D13	17	90 - 49	H118583	5G21	18	110 - 35
H114433	1C6	6	20 - 19	H116065	6G20	8	121 - 43	H118616	6G8	3	121 - 31
H114473	3H4	7A	60 - 47	H116160	2E18	..	40 - 57	H118617	6G4	24	121 - 27
H114523	5B18	4	90 - 5	H116160	6F19	..	121 - 17	H118617	6G8	1	121 - 31
H114525	5B18	5	90 - 5	H116160	6F21	..	121 - 19	H118618	6G8	6	121 - 31
H114535	7B15	9	125 - 3	H116160	6F23	..	121 - 21	H118619	5E15	12	90 - 77
H114536	7B15	14	125 - 3	H116160	6F25	..	121 - 23	H118719	1B12	16	20 - 1
H114537	7B15	10	125 - 3	H116161	6H22	4	121 - 69	H118719	1B14	44	20 - 3
H114538	7B15	13	125 - 3	H116161	7E8	3	125 - 69	H118766	2C4	7	30 - 19
H114562	4G12	13	80 - 23	H116161	7G22	24	130 - 51	H118776	5G17	20	110 - 31

NUMERICAL INDEX - CONTINUED

PART NO.	GRID	KEY	PAGE	PART NO.	GRID	KEY	PAGE	PART NO.	GRID	KEY	PAGE
H118776	5G21	16	110 - 35	H120847	4C6	31	70 - 17	H123652	1B14	39	20 - 3
H118781	1B16	12	20 - 5	H120847	4C8	17	70 - 19	H123734	5G25	30	110 - 39
H118871	5E15	28	90 - 77	H120847	4D2	7	70 - 37	H123740	5C6	18	90 - 17
H118872	5E15	26	90 - 77	H120847	4E23	11	70 - 85	H123740	5D6	10	90 - 41
H118882	3C12	8	50 - 25	H120847	4E25	5	70 - 87	H123773	5C6	9	90 - 17
H118906	4F8	22	70 - 95	H120847	7D10	19	125 - 47	H123794	5C2	3	90 - 13
H118919	6F23	15	121 - 21	H121040	7I23	6	170 - 35	H123796	5C6	16	90 - 17
H118919	6F25	15	121 - 23	H121110	2E8	6	40 - 47	H123872	3G8	10	60 - 27
H118920	6F23	14	121 - 21	H121110	2G23	11	40 - 111	H123872	5E13	10	90 - 75
H118920	6F25	14	121 - 23	H121134	6G16	4	121 - 39	H123873	3G6	25	60 - 25
H118927	6F19	13	121 - 17	H121163	3E16	23	50 - 81	H123873	5E11	25	90 - 73
H118927	6F21	13	121 - 19	H121163	3E18	21	50 - 83	H123874	3G8	20	60 - 27
H118948	7E8	17	125 - 69	H121163	3G14	5	60 - 33	H123874	5E13	20	90 - 75
H119007	3B16	7	50 - 3	H121163	3G16	14	60 - 35	H123875	3G8	25	60 - 27
H119007	3F9	18	60 - 3	H121163	4C6	5	70 - 17	H123875	5E13	25	90 - 75
H119008	3B16	11A	50 - 3	H121163	4C10	8	70 - 21	H123877	3G8	2	60 - 27
H119028	6F9	1	121 - 7	H121163	4E9	14	70 - 71	H123877	5E13	2	90 - 75
H119029	6F9	1	121 - 7	H121168	3F11	5	60 - 5	H123918	1B14	23	20 - 3
H119030	6F9	1	121 - 7	H121168	3G10	27	60 - 29	H123918	7C18	11	125 - 31
H119031	6F9	1	121 - 7	H121168	3G12	5	60 - 31	H123991	5C6	5	90 - 17
H119088	5B22	4	90 - 9	H121168	3G16	5	60 - 35	H123995	2C12	5	40 - 1
H119088	5F11	6	90 - 99	H121168	4B18	19	70 - 5	H123995	2C14	5	40 - 3
H119186	5E15	4	90 - 77	H121168	4C6	25	70 - 17	H123995	5C6	7	90 - 17
H119186	5E17	9	90 - 79	H121168	4C6	30	70 - 17	H123995	5E2	2	90 - 63
H119187	5E15	37A	90 - 77	H121168	4C8	16	70 - 19	H123995	5F11	7	90 - 99
H119210	6G16	9	121 - 39	H121168	4C10	11	70 - 21	H123998	2D10	11	40 - 23
H119362	5E15	17	90 - 77	H121168	4C12	11	70 - 23	H123998	2D12	10	40 - 25
H119411	4G10	23	80 - 21	H121168	4D6	7	70 - 41	H123998	2D14	4	40 - 27
H119475	1B16	10	20 - 5	H121168	4E23	10	70 - 85	H123998	2G16	7	40 - 103
H119566	7G18	4	130 - 47	H121168	4E25	4	70 - 87	H123998	5E15	25	90 - 77
H119566	7G20	9	130 - 49	H121168	7D10	20	125 - 47	H123998	5E15	35	90 - 77
H119567	7G18	4	130 - 47	H121391	4H8	15	80 - 43	H124185	2D16	3	40 - 29
H119567	7G20	9	130 - 49	H121391	7F22	34	130 - 27	H124185	5E17	7	90 - 79
H119568	7G18	4	130 - 47	H121407	1B12	4	20 - 1	H124197	5E15	29	90 - 77
H119568	7G20	9	130 - 49	H121472	3E21	11	50 - 87	H124198	5E15	30	90 - 77
H119642	6C5	24	120 - 19	H121472	3G19	9	60 - 38	H124205	2F22	9	40 - 85
H119642	6C15	19	120 - 29	H121575	7C12	11	125 - 25	H124206	2F22	2	40 - 85
H119682	5E4	16	90 - 65	H121576	7C12	15	125 - 25	H124210	5B22	9	90 - 9
H119684	5E4	19	90 - 65	H121681	6F17	12	121 - 15	H124254	3F17	14	60 - 11
H119685	5E4	1	90 - 65	H121681	6F23	16	121 - 21	H124255	3F17	20	60 - 11
H119687	5E4	21	90 - 65	H121681	6F25	16	121 - 23	H124258	3F15	18	60 - 9
H119709	5G19	11	110 - 33	H121705	2F4	1	40 - 67	H124258	3F17	8	60 - 11
H119710	5G19	2	110 - 33	H122182	3D21	8	50 - 61	H124259	3F17	7	60 - 11
H119904	2B17	2	30 - 7	H122182	3D23	8	50 - 63	H124260	5B16	6	90 - 3
H119996	7G22	13	130 - 51	H122182	3D25	5	50 - 65	H125330	3C12	13	50 - 25
H119997	7G22	12	130 - 51	H122182	3E2	5	50 - 67	H125335	3C12	15	50 - 25
H120082	4G10	13	80 - 21	H122182	3E4	3	50 - 69	H125347	2F14	15	40 - 77
H120099	5E8	5	90 - 69	H122182	3E6	3	50 - 71	H125347	2F16	15	40 - 79
H120188	2D4	16	40 - 17	H122182	3E8	3	50 - 73	H125347	2F18	15	40 - 81
H120194	6I2	21	121 - 73	H122372	2E8	11	40 - 47	H125351	6F11	6	121 - 9
H120198	6H22	25	121 - 69	H122372	6D6	11	120 - 45	H125352	6F11	7	121 - 9
H120198	6H24	23	121 - 71	H122522	5E24	7	90 - 86	H125354	6F11	10	121 - 9
H120362	4C4	21	70 - 15	H122534	5E24	15	90 - 86	H125355	6F11	21	121 - 9
H120362	7D10	3	125 - 47	H122650	6F13	14	121 - 11	H125355	6F13	17	121 - 11
H120379	4F17	19	80 - 3	H122650	6F15	6	121 - 13	H125356	6F11	19	121 - 9
H120388	3F17	6	60 - 11	H122772	4C2	10	70 - 13	H125356	6F13	19	121 - 11
H120389	3F17	5	60 - 11	H122772	7D12	8	125 - 49	H125357	6F9	9	121 - 7
H120490	6G8	8	121 - 31	H122772	7D14	8	125 - 51	H125376	1B16	21	20 - 5
H120499	4H8	14	80 - 43	H123297	2C4	10	30 - 19	H125377	1B16	4	20 - 5
H120499	7F22	10	130 - 27	H123351	7I16	12	170 - 27	H125379	1B16	14	20 - 5
H120659	6G12	17	121 - 35	H123557	6G4	27	121 - 27	H125380	6H22	12	121 - 69
H120660	6G12	17	121 - 35	H123633	5G8	26	110 - 21	H125380	7H18	3	170 - 4
H120800	6C19	7	120 - 33	H123636	5G8	11	110 - 21	H125381	7B23	6	125 - 11
H120801	6C19	6	120 - 33	H123637	5G8	19	110 - 21	H125391	6G18	18	121 - 41
H120847	3G10	26	60 - 29	H123638	5G8	21	110 - 21	H125403	4B22	5	70 - 9
H120847	3G12	4	60 - 31	H123650	4F23	14	80 - 9	H125403	4B24	3	70 - 11
H120847	3G12	15	60 - 31	H123652	1B12	9	20 - 1	H125403	7D12	24	125 - 49

1K18

9400 MAXIMIZER COMBINE

NUMERICAL INDEX - CONTINUED

PART NO.	GRID	KEY	PAGE	PART NO.	GRID	KEY	PAGE	PART NO.	GRID	KEY	PAGE
H125459	5D6	5	90-41	H126082	5B24	2	90-11	H126933	6D22	6	120-61
H125466	1B20	26	20-9	H126083	5B24	4	90-11	H126933	6E2	6	120-65
H125467	1B20	25	20-9	H126123	3B18	22	50-5	H126933	6E6	6	120-69
H125489	5H6	6	110-45	H126123	3B20	8	50-7	H126934	6D14	5	120-53
H125490	5H6	9	110-45	H126124	3B18	23	50-5	H126934	6D22	4	120-61
H125511	5B18	1	90-5	H126124	3B20	7	50-7	H126934	6E2	8	120-65
H125513	5B22	3	90-9	H126169	6H18	8	121-65	H126934	6E6	4	120-69
H125517	3B18	12	50-5	H126171	5E4	6	90-65	H126941	6C21	10	120-35
H125518	3C3	1	50-15	H126172	5E4	2	90-65	H127006	6C5	14	120-19
H125518	5D2	1	90-37	H126173	5E4	9	90-65	H127006	6C17	14	120-31
H125528	6G18	9	121-41	H126174	5E4	20	90-65	H127067	3H8	...	60-51
H125530	6G18	5	121-41	H126175	5E4	14	90-65	H127067	7I21	2	170-33
H125531	6G18	17	121-41	H126176	5E4	17	90-65	H127067	7I21	4	170-33
H125532	6G8	4	121-31	H126261	5H12	6	110-51	H127068	7I21	4	170-33
H125533	6G18	11	121-41	H126280	7G24	10	130-53	H127070	3H8	...	60-51
H125537	4G24	4	80-35	H126302	5H12	11	110-51	H127070	7I21	2	170-33
H125537	4H2	4	80-37	H126334	7B15	2	125-3	H127073	3H8	...	60-51
H125537	7F24	19	130-29	H126334	7C2	45	125-15	H127073	7I21	2	170-33
H125558	6C21	18	120-35	H126334	7C10	3	125-23	H127075	7I21	4	170-33
H125558	6H6	2	121-53	H126335	7B15	1	125-3	H127076	7I21	1	170-33
H125560	6H6	17	121-53	H126336	7B15	6	125-3	H127078	7I18	4	170-29
H125565	5H6	7	110-45	H126345	5F25	12	110-13	H127097	4G4	9	80-15
H125565	6G2	26	121-25	H126345	5H12	12	110-51	H127097	4G6	9	80-17
H125565	6H18	12	121-65	H126345	5H14	3	110-53	H127159	6F5	9	121-3
H125565	7H18	1	170-4	H126345	7H18	5	170-4	H127189	6F17	1	121-15
H125568	1B20	2	20-9	H126346	5F25	20	110-13	H127189	6G4	1	121-27
H125572	1B20	16A	20-9	H126368	3E16	30	50-81	H127196	6G4	18	121-27
H125711	5F15	12	110-3	H126370	5F25	26	110-13	H127325	7I18	16	170-29
H125711	5F23	10	110-11	H126371	5F23	2	110-11	H127327	7I18	16	170-29
H125711	7H18	6	170-4	H126371	5F25	25	110-13	H127408	4H4	7	80-39
H125733	6F9	6	121-7	H126397	5G2	25	110-15	H127410	4H4	4	80-39
H125734	6F15	10	121-13	H126397	5G4	25	110-17	H127465	4G20	16	80-31
H125735	6F15	10	121-13	H126397	5G6	25	110-19	H127524	6D2	10	120-41
H125736	6F15	10	121-13	H126397	7I18	19	170-29	H127525	6D2	23	120-41
H125737	6F15	10	121-13	H126470	5E2	10	90-63	H127532	6C23	4	120-37
H125738	6F15	1	121-13	H126564	6F19	15	121-17	H127574	5E15	21	90-77
H125739	6F7	7	121-5	H126564	6F21	16	121-19	H127575	5E15	1	90-77
H125740	6F5	18	121-3	H126572	3C9	12	50-21	H127578	2B15	2	30-5
H125740	6F9	5	121-7	H126573	3C9	12	50-21	H127578	2B17	12	30-7
H125741	6F5	18	121-3	H126575	3C9	12	50-21	H127583	6G16	22	121-39
H125741	6F9	5	121-7	H126582	3D21	10	50-61	H127583	7C14	34	125-27
H125742	6F5	18	121-3	H126583	3B18	16	50-5	H127589	2B17	13	30-7
H125742	6F9	5	121-7	H126583	3B20	16	50-7	H127589	3E16	20	50-81
H125743	6F5	18	121-3	H126583	3C25	23	50-39	H127589	3E18	20	50-83
H125743	6F9	5	121-7	H126586	3B18	18	50-5	H127589	4C6	6	70-17
H125769	5C2	6	90-13	H126587	6F5	7	121-3	H127589	4C10	27	70-21
H125837	6F15	8	121-13	H126589	5E15	20	90-77	H127589	4C14	4	70-25
H125838	6F5	17	121-3	H126590	5E15	22	90-77	H127589	4D8	2	70-43
H125838	6F19	12	121-17	H126672	4H6	15	80-41	H127590	6G10	18	121-33
H125838	6F21	12	121-19	H126705	5G25	21	110-39	H127596	6G16	17	121-39
H125838	6F23	5	121-21	H126715	6G2	25	121-25	H127603	5F21	20	110-9
H125838	6F25	5	121-23	H126716	6G2	23	121-25	H127603	5G15	7	110-28
H125839	6F13	7	121-11	H126721	6F19	6	121-17	H127604	5F21	9	110-9
H125840	6F13	11	121-11	H126722	6G10	41	121-33	H127638	7F22	2	130-27
H125841	6F13	8	121-11	H126792	6F15	15	121-13	H127677	4H2	13	80-37
H125842	6F13	8	121-11	H126793	6F15	16	121-13	H127677	7F24	22	130-29
H125843	6F13	8	121-11	H126801	7G14	1	130-43	H127679	5C4	17	90-15
H125844	6F13	8	121-11	H126802	7G14	7	130-43	H127731	4H10	17	80-45
H125929	4E5	12	70-67	H126804	7G14	12	130-43	H127732	4H10	11	80-45
H125930	2D25	3	40-39	H126828	7E10	9	125-71	H127732	6G12	12	121-35
H125988	5E21	22	90-83	H126829	6G10	40	121-33	H127747	5D4	19	90-39
H125989	5E21	23	90-83	H126846	2D2	35	40-15	H127747	5F19	19	110-7
H125991	5E21	26	90-83	H126932	6D14	6	120-53	H127749	5D4	17	90-39
H126026	4F8	7	70-95	H126932	6D22	3	120-61	H127749	5F19	17	110-7
H126028	4F8	34	70-95	H126932	6E2	9	120-65	H127752	3F19	10	60-13
H126069	6F13	4	121-11	H126932	6E6	3	120-69	H127772	5D13	7	90-49
H126081	5B24	3	90-11	H126933	6D14	7	120-53	H127773	5D13	12A	90-49

NUMERICAL INDEX - CONTINUED

PART NO.	GRID	KEY	PAGE	PART NO.	GRID	KEY	PAGE	PART NO.	GRID	KEY	PAGE
H127781	5G2	16	110 - 15	H128515	3G16	15	60 - 35	H129558	3C7	22	50 - 19
H127781	5G4	16	110 - 17	H128515	4C6	6	70 - 17	H129564	3C5	26	50 - 17
H127781	5G6	16	110 - 19	H128515	4C10	7	70 - 21	H129564	3C7	11	50 - 19
H127855	6G10	13	121 - 33	H128515	4E9	15	70 - 71	H129565	3C5	27	50 - 17
H127872	7E8	4	125 - 69	H128536	3B16	9	50 - 3	H129567	3C7	12	50 - 19
H127878	2D10	1	40 - 23	H128557	3B16	8	50 - 3	H129569	3C5	28	50 - 17
H127906	6I2	4	121 - 73	H128576	7F6	9	130 - 11	H129588	4E11	2	70 - 73
H127906	6I4	4	121 - 75	H128709	7B25	6	125 - 13	H129588	7F24	16	130 - 29
H127907	6I2	2	121 - 73	H128744	4F25	3	80 - 11	H129606	5B18	3	90 - 5
H127907	6I4	2	121 - 75	H128744	4F25	14	80 - 11	H129607	2B13	15	30 - 3
H127921	7G18	2	130 - 47	H128744	4G2	3	80 - 13	H129610	5C8	6	90 - 19
H127922	7G22	5	130 - 51	H128819	2D19	5	40 - 33	H129653	7G4	20	130 - 33
H127923	6H22	6	121 - 69	H128819	2D21	10	40 - 35	H129658	5G17	15	110 - 31
H127923	7G22	4	130 - 51	H128820	2D19	10	40 - 33	H129659	5G19	6	110 - 33
H127972	6C2	2	120 - 15	H128820	2D21	16	40 - 35	H129676	6G2	17	121 - 25
H127972	6G6	16	121 - 29	H128821	2D19	12	40 - 33	H129681	5G17	14	110 - 31
H127978	5E15	14	90 - 77	H128822	2D21	18	40 - 35	H129681	5G19	17	110 - 33
H127998	7G16	12	130 - 45	H128823	2D19	25	40 - 33	H129683	1B16	5	20 - 5
H128010	6G4	20	121 - 27	H128841	2D19	18	40 - 33	H129686	2C18	8	40 - 7
H128010	6G22	1	121 - 45	H128859	2D19	26	40 - 33	H129686	5C24	8	90 - 35
H128010	7H16	2	170 - 2	H128859	5F11	8	90 - 99	H129709	3G18	7	60 - 37
H128080	7B17	2	125 - 5	H128861	7G6	1	130 - 35	H129709	3G19	6	60 - 38
H128080	7B19	2	125 - 7	H128877	7E25	7	130 - 5	H129716	7E2	35	125 - 63
H128080	7B21	1	125 - 9	H128884	4G18	1A	80 - 29	H129716	7G4	11	130 - 33
H128081	7B17	2	125 - 5	H128890	7F6	5	130 - 11	H129723	2D2	1	40 - 15
H128081	7B19	2	125 - 7	H128906	5E21	11	90 - 83	H129723	2D2	33	40 - 15
H128081	7B21	1	125 - 9	H128937	6F11	3	121 - 9	H129749	3B16	4	50 - 3
H128082	6E12	15	120 - 75	H128999	6C19	1	120 - 33	H129760	4G12	5	80 - 23
H128082	7B17	2	125 - 5	H129004	4G10	27	80 - 21	H129760	5C10	13	90 - 21
H128082	7B19	2	125 - 7	H129004	4G12	6	80 - 23	H129760	5C12	5	90 - 23
H128082	7B21	1	125 - 9	H129049	7F16	17	130 - 21	H129761	5C10	12	90 - 21
H128083	7B15	21	125 - 3	H129094	7I16	12	170 - 27	H129761	5C12	4	90 - 23
H128083	7B17	2	125 - 5	H129099	7I18	9	170 - 29	H129763	5C10	2	90 - 21
H128083	7B19	2	125 - 7	H129101	6G22	21	121 - 45	H129763	5C12	10	90 - 23
H128083	7B21	1	125 - 9	H129101	6H4	23	121 - 51	H129765	4F8	23	70 - 95
H128084	7B17	2	125 - 5	H129125	6I2	30	121 - 73	H129833	4G24	16	80 - 35
H128098	6H20	1	121 - 67	H129125	6I4	29	121 - 75	H129833	7F24	28	130 - 29
H128111	6H20	7	121 - 67	H129144	3C7	20	50 - 19	H129833	7F24	45	130 - 29
H128114	7B25	35A	125 - 13	H129179	6C19	5	120 - 33	H129839	2B13	21	30 - 3
H128118	5F21	4	110 - 9	H129180	5F17	34	110 - 5	H129843	4G24	14	80 - 35
H128118	5G15	4	110 - 28	H129201	7B17	3	125 - 5	H129843	4H2	18	80 - 37
H128194	5E21	8	90 - 83	H129207	6G22	17	121 - 45	H129844	6F23	3	121 - 21
H128265	6H4	32	121 - 51	H129207	6G24	8	121 - 47	H129844	6F25	3	121 - 23
H128265	7D22	21	125 - 59	H129207	6H6	18	121 - 53	H129845	6F23	9	121 - 21
H128297	6G6	5	121 - 29	H129207	7E8	5	125 - 69	H129854	3C12	12	50 - 25
H128315	7I18	9	170 - 29	H129208	6H18	17	121 - 65	H129855	7G6	5	130 - 35
H128327	6H6	5	121 - 53	H129208	6H22	7	121 - 69	H129878	6G18	11	121 - 41
H128357	7B17	1	125 - 5	H129208	6H22	28	121 - 69	H129879	6G4	18	121 - 27
H128357	7B19	3	125 - 7	H129208	6H24	5	121 - 71	H129885	4G10	5	80 - 21
H128357	7B19	7	125 - 7	H129212	2E4	8	40 - 43	H129885	7F24	1	130 - 29
H128357	7B21	2	125 - 9	H129248	1B20	3	20 - 9	H129887	2D10	3	40 - 23
H128357	7B21	3	125 - 9	H129311	6G24	4	121 - 47	H129887	2D12	17	40 - 25
H128358	7B17	1	125 - 5	H129312	6G24	2	121 - 47	H129887	5E17	6	90 - 79
H128358	7B19	3	125 - 7	H129328	4F8	20	70 - 95	H129934	6F7	12	121 - 5
H128358	7B21	2	125 - 9	H129367	2D2	31	40 - 15	H129935	6F7	16	121 - 5
H128359	7B17	1	125 - 5	H129389	7F2	3	130 - 7	H129940	2E10	2	40 - 49
H128359	7B19	3	125 - 7	H129406	4G24	13	80 - 35	H130016	1C6	1	20 - 19
H128359	7B21	2	125 - 9	H129406	4H2	17	80 - 37	H130039	4G24	11A	80 - 35
H128360	7B17	1	125 - 5	H129440	2C14	2	40 - 3	H130040	5G12	18	110 - 25
H128392	5C2	14	90 - 13	H129464	7G14	9	130 - 43	H130057	4G6	11	80 - 17
H128469	2G14	10A	40 - 101	H129465	7G14	6	130 - 43	H130058	2C18	2	40 - 7
H128479	7G12	10	130 - 41	H129471	7G14	4	130 - 43	H130058	5C24	2	90 - 35
H128489	7G12	4A	130 - 41	H129472	7G14	3	130 - 43	H130068	5E2	4	90 - 63
H128502	4F23	23	80 - 9	H129525	3C5	34	50 - 17	H130089	1C2	4	20 - 15
H128515	3E16	24	50 - 81	H129550	7G8	23	130 - 37	H130090	1C2	8	20 - 15
H128515	3E18	22	50 - 83	H129553	5C22	1	90 - 33	H130091	5E15	23	90 - 77
H128515	3G14	4	60 - 33	H129557	3C12	9	50 - 25	H130137	7G4	15	130 - 33

1K20

9400 MAXIMIZER COMBINE

NUMERICAL INDEX - CONTINUED

PART NO.	GRID	KEY	PAGE	PART NO.	GRID	KEY	PAGE	PART NO.	GRID	KEY	PAGE
H130140	6F5	10	121 - 3	H130520	7H12	11	160 - 3	H131163	4B18	15	70 - 5
H130152	2C16	4	40 - 5	H130521	4H2	15A	80 - 37	H131163	4C6	7	70 - 17
H130153	2C16	10	40 - 5	H130528	5H2	7	110 - 41	H131163	4C10	13	70 - 21
H130166	5D13	13	90 - 49	H130529	5H2	10	110 - 41	H131169	6H4	..	121 - 51
H130175	2B23	4	30 - 13	H130530	5H2	2	110 - 41	H131169	7H16	4	170 - 2
H130175	2B25	4	30 - 15	H130530	5H20	10	110 - 59	H131170	6H4	11	121 - 51
H130190	3F17	3	60 - 11	H130555	4G10	1	80 - 21	H131182	7I18	16	170 - 29
H130191	3F17	1	60 - 11	H130571	5G19	14	110 - 33	H131186	3G8	31	60 - 27
H130192	3G6	24	60 - 25	H130572	6C21	25	120 - 35	H131186	5E13	31	90 - 75
H130192	3G8	11	60 - 27	H130615	4G12	1	80 - 23	H131227	7F24	14	130 - 29
H130192	5E11	24	90 - 73	H130636	4G20	13A	80 - 31	H131228	6F17	2	121 - 15
H130192	5E13	11	90 - 75	H130636	4H10	4	80 - 45	H131230	7F24	4	130 - 29
H130192	5F11	9	90 - 99	H130637	2E22	19	40 - 61	H131256	7G10	3	130 - 39
H130194	2C16	15	40 - 5	H130637	2E24	1	40 - 63	H131259	7G10	12	130 - 39
H130194	5F11	10	90 - 99	H130646	5D4	9	90 - 39	H131261	7G10	9	130 - 39
H130195	5C24	3	90 - 35	H130646	5F19	9	110 - 7	H131262	7G12	13	130 - 41
H130195	5F11	11	90 - 99	H130661	7E2	20	125 - 63	H131263	7G12	12	130 - 41
H130223	3G19	12	60 - 38	H130667	7E2	9	125 - 63	H131264	7F24	3	130 - 29
H130224	3G19	11	60 - 38	H130695	6D6	16	120 - 45	H131296	3C5	11	50 - 17
H130225	3G22	10	60 - 41	H130771	7G6	10	130 - 35	H131297	3C5	14	50 - 17
H130225	3G23	10	60 - 42	H130771	7G6	..	130 - 35	H131298	5B16	1	90 - 3
H130226	3G23	10	60 - 42	H130826	5G8	17	110 - 21	H131299	5B16	2	90 - 3
H130227	3G23	7	60 - 42	H130903	6F17	3	121 - 15	H131300	5B16	13	90 - 3
H130228	3G23	11	60 - 42	H130903	6G4	3	121 - 27	H131301	5B16	11	90 - 3
H130246	4F21	18	80 - 7	H130922	6D20	10	120 - 59	H131302	2C14	4	40 - 3
H130262	7F22	31	130 - 27	H130930	4G22	3	80 - 33	H131319	6E4	1	120 - 67
H130286	3B23	15	50 - 10	H130930	7E2	4	125 - 63	H131336	6C25	6	120 - 39
H130287	3B23	7	50 - 10	H130930	7F2	6	130 - 7	H131356	7G8	25	130 - 37
H130288	3B23	8	50 - 10	H130948	7B15	15	125 - 3	H131362	4H10	19	80 - 45
H130298	2C19	5	40 - 8	H130949	7B15	8	125 - 3	H131424	3G8	7	60 - 27
H130298	5F11	12	90 - 99	H130956	7E6	3	125 - 67	H131424	5E4	10	90 - 65
H130299	2C19	4	40 - 8	H130957	7C16	18	125 - 29	H131424	5E13	7	90 - 75
H130301	5C6	10	90 - 17	H130957	7E6	4	125 - 67	H131424	5F11	15	90 - 99
H130302	5C6	8	90 - 17	H130967	4F21	28	80 - 7	H131452	5G23	3	110 - 37
H130303	5C6	15	90 - 17	H130968	4F21	35	80 - 7	H131470	4G22	2	80 - 33
H130349	4F17	10	80 - 3	H131002	6C5	13	120 - 19	H131482	6G20	5	121 - 43
H130355	6D6	14	120 - 45	H131017	2E6	4	40 - 45	H131485	6G20	11	121 - 43
H130362	4H8	18	80 - 43	H131018	2E6	4	40 - 45	H131516	6E12	3	120 - 75
H130362	5C16	7	90 - 27	H131021	7I18	10	170 - 29	H131526	4G4	1	80 - 15
H130362	5C18	9	90 - 29	H131030	7I16	1	170 - 27	H131526	4G6	1	80 - 17
H130363	4H8	6	80 - 43	H131031	7I18	6	170 - 29	H131526	4G8	10	80 - 19
H130363	7F24	43	130 - 29	H131040	3C3	6	50 - 15	H131531	6E12	14	120 - 75
H130364	4H8	3	80 - 43	H131040	5D2	6	90 - 37	H131531	6I6	2	121 - 77
H130374	5E15	5	90 - 77	H131041	3C3	7	50 - 15	H131531	7F22	25	130 - 27
H130388	3H2	7	60 - 45	H131041	5D2	7	90 - 37	H131531	7F24	32	130 - 29
H130407	3C9	6	50 - 21	H131087	5G25	13	110 - 39	H131543	4H6	6	80 - 41
H130424	4G8	2	80 - 19	H131088	5G25	15	110 - 39	H131574	2D25	13	40 - 39
H130425	4G8	12	80 - 19	H131090	5G25	22	110 - 39	H131591	4B16	11	70 - 3
H130431	4G8	6	80 - 19	H131098	6H4	33	121 - 51	H131591	5C22	4	90 - 33
H130432	4G8	5	80 - 19	H131108	6C23	1	120 - 37	H131591	5D6	3	90 - 41
H130448	2D2	10	40 - 15	H131115	3D21	18	50 - 61	H131591	5F11	13	90 - 99
H130448	2D2	24	40 - 15	H131115	3D23	18	50 - 63	H131595	2D23	19	40 - 37
H130450	2D2	17	40 - 15	H131115	3F11	11	60 - 5	H131604	6E12	5	120 - 75
H130451	3E10	14	50 - 75	H131115	3G12	14	60 - 31	H131607	6E12	7	120 - 75
H130451	3E12	9	50 - 77	H131115	4C4	18	70 - 15	H131608	6E12	6	120 - 75
H130451	4E23	14	70 - 85	H131115	4C6	22	70 - 17	H131612	7B25	16	125 - 13
H130451	4E25	8	70 - 87	H131115	4C10	25	70 - 21	H131626	5C8	3	90 - 19
H130452	3E10	7	50 - 75	H131115	4C12	19	70 - 23	H131628	4H8	8	80 - 43
H130452	4E23	7	70 - 85	H131115	4D2	5	70 - 37	H131628	7F24	21	130 - 29
H130453	2D2	39	40 - 15	H131121	3C22	25	50 - 35	H131638	7E10	18	125 - 71
H130454	2D2	22	40 - 15	H131121	3F2	6	50 - 93	H131639	7E10	17	125 - 71
H130455	2D2	20	40 - 15	H131121	4E5	2A	70 - 67	H131661	6E12	16	120 - 75
H130510	2D25	22	40 - 39	H131154	3D21	11	50 - 61	H131673	7F22	20	130 - 27
H130511	2D10	9	40 - 23	H131154	3D25	9	50 - 65	H131674	7F22	17	130 - 27
H130511	2D12	8	40 - 25	H131155	3D21	14	50 - 61	H131675	7F22	15	130 - 27
H130515	5C22	6	90 - 33	H131161	7B25	7	125 - 13	H131703	3F19	14	60 - 13
H130520	2D25	25	40 - 39	H131163	3G12	3	60 - 31	H131720	5C2	9	90 - 13

NUMERICAL INDEX - CONTINUED

PART NO.	GRID	KEY	PAGE	PART NO.	GRID	KEY	PAGE	PART NO.	GRID	KEY	PAGE
H131721	5C2	11	90 - 13	H132541	6C15	1	120 - 29	H132976	6I2	31	121 - 73
H131743	4G4	13	80 - 15	H132541	6C19	14	120 - 33	H132976	6I4	30	121 - 75
H131743	4G6	13	80 - 17	H132542	7F22	23	130 - 27	H132986	5H4	8	110 - 43
H131743	5G8	3	110 - 21	H132554	3C9	11	50 - 21	H132988	5H4	6	110 - 43
H131754	3B23	11	50 - 10	H132597	2D23	8	40 - 37	H132992	4F21	33	80 - 7
H131754	3C14	9	50 - 27	H132618	3C7	13	50 - 19	H132995	6F15	19	121 - 13
H131865	6E22	1A	120 - 85	H132661	2C16	11	40 - 5	H132998	7B17	13	125 - 5
H131865	7D18	1	125 - 55	H132662	5E19	13	90 - 81	H133008	3C7	9	50 - 19
H131865	7D20	3	125 - 57	H132662	5F9	24	90 - 97	H133010	3C7	10	50 - 19
H131865	7G2	3	130 - 31	H132662	7F24	10	130 - 29	H133024	7H2	13	130 - 55
H131876	4H10	22	80 - 45	H132666	2F12	..	40 - 75	H133025	7H2	26	130 - 55
H131878	6C2	14	120 - 15	H132666	7F22	32	130 - 27	H133026	7H2	17	130 - 55
H131948	1B14	24	20 - 3	H132686	2F12	7	40 - 75	H133031	7E6	8	125 - 67
H131948	1B20	20	20 - 9	H132687	2F12	3	40 - 75	H133042	4F21	23	80 - 7
H131949	1B14	22	20 - 3	H132708	7E2	3	125 - 63	H133047	3C3	20	50 - 15
H131949	1B20	21	20 - 9	H132777	3C7	1	50 - 19	H133047	5D2	20	90 - 37
H131982	2C12	4	40 - 1	H132780	2D4	22	40 - 17	H133051	1B22	4	20 - 11
H131985	2C12	1	40 - 1	H132793	4F21	32	80 - 7	H133060	3G10	8	60 - 29
H131986	6C15	16	120 - 29	H132795	2C16	13	40 - 5	H133060	5H4	5	110 - 43
H131987	6C15	18	120 - 29	H132795	2D4	18	40 - 17	H133081	6D6	30	120 - 45
H131988	6C7	12	120 - 21	H132800	2D25	19	40 - 39	H133088	3C14	3	50 - 27
H131989	6C5	22	120 - 19	H132800	2G23	4	40 - 111	H133089	3C11	2	50 - 23
H131996	3E21	12	50 - 87	H132800	7H12	13	160 - 3	H133090	3C11	9	50 - 23
H132008	4H2	5	80 - 37	H132808	1B20	4	20 - 9	H133091	3C11	9	50 - 23
H132011	3B18	26	50 - 5	H132808	7H17	1	170 - 3	H133092	3C11	5	50 - 23
H132024	7F22	9	130 - 27	H132809	1B20	4	20 - 9	H133094	3C12	1	50 - 25
H132057	6C11	11	120 - 25	H132809	7H17	1	170 - 3	H133096	3C11	3	50 - 23
H132057	6C13	4	120 - 27	H132811	7I18	12	170 - 29	H133097	3C11	3	50 - 23
H132088	7F16	26	130 - 21	H132812	2E16	6	40 - 55	H133098	3C11	3	50 - 23
H132097	7G12	9	130 - 41	H132813	2E16	6	40 - 55	H133100	5E4	28	90 - 65
H132126	3B22	2	50 - 9	H132820	6C7	23	120 - 21	H133106	3G8	15	60 - 27
H132160	6D14	2	120 - 53	H132820	6C15	20	120 - 29	H133106	5E13	15	90 - 75
H132160	6D16	2	120 - 55	H132821	6C7	1	120 - 21	H133143	7E23	14	130 - 3
H132160	6E2	11	120 - 65	H132822	4G24	12	80 - 35	H133145	6B13	1	120 - 1
H132161	6D14	2	120 - 53	H132822	4H2	16	80 - 37	H133152	4G10	19	80 - 21
H132161	6D16	2	120 - 55	H132825	5F25	8	110 - 13	H133153	4G10	18	80 - 21
H132208	6H4	10	121 - 51	H132837	4E3	5A	70 - 64	H133165	3C5	22	50 - 17
H132208	6H8	19	121 - 55	H132853	4E3	3	70 - 64	H133178	2E24	15	40 - 63
H132227	7F2	9	130 - 7	H132857	4H6	7	80 - 41	H133178	7G8	14	130 - 37
H132288	6D14	12	120 - 53	H132892	3C5	12	50 - 17	H133199	6H10	4	121 - 57
H132288	6D22	9	120 - 61	H132892	3C7	3	50 - 19	H133199	6H12	4	121 - 59
H132288	6D24	10	120 - 63	H132893	3C5	12	50 - 17	H133199	6H14	4	121 - 61
H132289	6E6	9	120 - 69	H132893	3C7	3	50 - 19	H133201	3C9	13	50 - 21
H132290	6E2	3	120 - 65	H132894	3C5	12	50 - 17	H133202	3C9	14	50 - 21
H132291	6D14	11	120 - 53	H132894	3C7	3	50 - 19	H133205	3G6	14	60 - 25
H132291	6D22	8	120 - 61	H132895	3G6	7	60 - 25	H133205	3G8	1	60 - 27
H132291	6D24	11	120 - 63	H132895	5E11	7	90 - 73	H133205	5E4	12	90 - 65
H132292	6E6	8	120 - 69	H132897	3G6	27	60 - 25	H133205	5E11	14	90 - 73
H132293	6E2	2	120 - 65	H132897	5E11	27	90 - 73	H133205	5E13	1	90 - 75
H132298	6H8	7	121 - 55	H132899	3G6	20	60 - 25	H133208	5D4	11	90 - 39
H132328	5F17	24	110 - 5	H132899	5E11	20	90 - 73	H133208	5F19	11	110 - 7
H132383	3G20	3	60 - 39	H132899	5F11	16	90 - 99	H133210	5D4	7	90 - 39
H132390	6F7	2	121 - 5	H132900	2C19	1	40 - 8	H133210	5F19	7	110 - 7
H132400	6F11	5	121 - 9	H132900	2F12	5	40 - 75	H133219	5B24	17	90 - 11
H132451	2G16	11	40 - 103	H132901	6I2	33	121 - 73	H133229	3B23	10	50 - 10
H132451	5D6	12	90 - 41	H132901	6I4	32	121 - 75	H133229	3C14	6	50 - 27
H132452	5B22	10	90 - 9	H132902	6I6	1	121 - 77	H133230	3B23	12	50 - 10
H132452	5D15	5	90 - 51	H132902	6I8	6	121 - 79	H133230	3C14	8	50 - 27
H132511	4F21	10	80 - 7	H132906	7D22	6	125 - 59	H133244	3B23	14	50 - 10
H132513	2E2	1	40 - 41	H132922	5F9	11	90 - 97	H133246	3B23	14	50 - 10
H132527	2D23	6	40 - 37	H132926	4F17	20	80 - 3	H133248	3B23	14	50 - 10
H132538	5E19	23	90 - 81	H132937	6H20	11	121 - 67	H133287	6E8	4	120 - 71
H132538	7F24	24	130 - 29	H132938	6H20	16	121 - 67	H133288	6E8	2	120 - 71
H132539	4F17	8	80 - 3	H132948	4H6	4	80 - 41	H133320	3H4	2	60 - 47
H132539	7E23	6	130 - 3	H132949	4H6	10	80 - 41	H133327	5C10	25	90 - 21
H132540	6C19	18	120 - 33	H132965	2D2	15	40 - 15	H133351	3F23	27	60 - 17
H132541	6C7	4	120 - 21	H132970	4F8	19	70 - 95	H133352	3B24	4	50 - 11

NUMERICAL INDEX - CONTINUED

PART NO.	GRID	KEY	PAGE	PART NO.	GRID	KEY	PAGE	PART NO.	GRID	KEY	PAGE
H133384	2C20	5	40-9	H133675	4F6	14	70-93	H134108	4G6	4	80-17
H133391	5B20	2	90-7	H133686	7E10	29	125-71	H134114	3B21	3	50-8
H133408	6H2	11	121-49	H133688	4E11	10	70-73	H134117	2B23	7	30-13
H133409	6H2	12A	121-49	H133690	4E11	12	70-73	H134117	2B25	7	30-15
H133413	5B24	10A	90-11	H133690	7H2	31	130-55	H134117	2C2	5	30-17
H133414	5B24	5	90-11	H133728	2F22	3	40-85	H134118	6D20	11	120-59
H133415	5B24	12A	90-11	H133738	3F9	8	60-3	H134118	6E4	19	120-67
H133470	4E9	8	70-71	H133739	3F9	11	60-3	H134124	2C4	8	30-19
H133488	7I16	4	170-27	H133740	3F9	13	60-3	H134140	5G8	16	110-21
H133488	7I18	5	170-29	H133741	3F9	16	60-3	H134143	1B20	7	20-9
H133489	6H8	27	121-55	H133742	3F9	10	60-3	H134144	1B20	10	20-9
H133508	5G17	22	110-31	H133743	3F9	4	60-3	H134145	1B20	15A	20-9
H133508	5G21	19	110-35	H133745	3F9	7	60-3	H134151	6B17	16	120-5
H133514	5C10	20	90-21	H133747	3F9	12	60-3	H134154	6B17	14	120-5
H133514	5C12	13	90-23	H133748	3F9	20	60-3	H134157	6B17	3	120-5
H133541	7E10	2	125-71	H133751	1B22	9	20-11	H134160	6B17	1	120-5
H133576	1B12	3	20-1	H133768	6E10	5	120-73	H134163	6B17	15	120-5
H133576	7H17	2	170-3	H133789	6E10	9	120-73	H134164	6B17	18	120-5
H133579	7G22	15	130-51	H133812	6I2	14	121-73	H134164	6B19	18	120-7
H133584	7F22	1	130-27	H133812	6I4	14	121-75	H134165	6B17	9	120-5
H133598	6D20	17	120-59	H133815	2B23	3	30-13	H134165	6B19	9	120-7
H133598	6E4	23	120-67	H133815	2B25	3	30-15	H134168	6B13	4	120-1
H133598	6H4	56	121-51	H133824	2E22	7	40-61	H134169	2D2	4	40-15
H133599	6D20	13	120-59	H133824	2E24	4	40-63	H134171	2E6	6	40-45
H133600	6E4	22	120-67	H133827	3F7	17	60-1	H134172	2E6	7	40-45
H133601	6E4	22	120-67	H133828	7F24	15	130-29	H134181	2B13	19	30-3
H133602	6D20	13	120-59	H133843	5G8	4	110-21	H134213	6D6	8	120-45
H133603	6H4	47	121-51	H133851	2G14	3	40-101	H134214	1B14	25	20-3
H133618	6G4	12	121-27	H133852	2G14	1	40-101	H134214	1B20	19	20-9
H133621	6H4	52	121-51	H133970	2C4	12	30-19	H134214	5E21	9	90-83
H133632	6C7	20	120-21	H133971	2C4	3	30-19	H134216	1B14	45	20-3
H133632	6C13	2	120-27	H133981	2G14	6	40-101	H134216	7H17	3	170-3
H133633	6C7	10	120-21	H133989	5G17	3	110-31	H134229	6C5	6	120-19
H133633	6C15	12	120-29	H133989	5G21	3	110-35	H134230	6C5	1	120-19
H133635	3B23	15	50-10	H133990	5G17	4	110-31	H134232	6C5	4	120-19
H133636	3C3	9	50-15	H133990	5G21	4	110-35	H134235	1B23	2	20-12
H133636	5D2	9	90-37	H133996	7I18	3	170-29	H134286	7F4	1	130-9
H133638	7F20	9	130-25	H133998	2F13	6	40-76	H134287	7F4	2	130-9
H133638	7I23	4	170-35	H134000	2F13	3	40-76	H134297	2B13	10	30-3
H133638	7I24	4	170-36	H134002	5G25	3	110-39	H134298	2B13	9	30-3
H133639	7I16	11	170-27	H134025	6D2	25	120-41	H134299	2B13	7	30-3
H133639	7I19	26	170-30	H134028	6C25	10	120-39	H134300	2B19	2	30-9
H133640	7I16	3	170-27	H134029	6C25	1	120-39	H134300	2B21	2	30-11
H133640	7I19	20	170-30	H134055	7E12	7	125-73	H134306	4H8	11	80-43
H133641	7I23	2	170-35	H134055	7E14	7	125-75	H134308	6D6	29	120-45
H133642	7I18	2	170-29	H134065	7E10	31	125-71	H134308	7D24	1	125-61
H133643	7I18	14	170-29	H134068	7E10	6	125-71	H134308	7E23	20	130-3
H133645	2E22	11	40-61	H134072	4F21	14	80-7	H134314	7D24	2	125-61
H133645	2E24	2	40-63	H134073	4F21	15	80-7	H134317	7D24	4	125-61
H133649	6C21	3	120-35	H134073	4F25	19	80-11	H134317	7E4	2	125-65
H133654	7E23	15	130-3	H134073	4G2	19	80-13	H134335	6B15	11	120-3
H133659	3D25	1	50-65	H134081	4G8	14	80-19	H134338	6B15	17	120-3
H133659	3E2	1	50-67	H134085	5G2	13	110-15	H134339	6B15	15	120-3
H133659	3E4	22	50-69	H134085	5G4	13	110-17	H134343	3F19	8	60-13
H133659	3F11	13	60-5	H134085	5G6	13	110-19	H134353	3G8	23	60-27
H133659	3G12	19	60-31	H134087	5F23	21	110-11	H134353	5E13	23	90-75
H133659	4D6	5	70-41	H134087	5H6	16	110-45	H134354	1B16	8	20-5
H133660	3C3	8	50-15	H134088	5H12	10	110-51	H134357	6C25	5	120-39
H133660	5D2	8	90-37	H134102	4G4	3	80-15	H134359	6G24	11	121-47
H133662	3C3	14	50-15	H134102	4G6	3	80-17	H134367	2D21	25	40-35
H133662	5D2	14	90-37	H134105	4G4	25	80-15	H134383	4G18	8A	80-29
H133665	5B16	5	90-3	H134105	4G6	25	80-17	H134385	6F7	21	121-5
H133666	5B16	7	90-3	H134106	4F25	2	80-11	H134389	1C6	10	20-19
H133667	6G22	7	121-45	H134106	4G2	2	80-13	H134396	2B13	11	30-3
H133669	3E21	16	50-87	H134107	4G4	23	80-15	H134403	4F21	34	80-7
H133671	3E21	13	50-87	H134107	4G6	23	80-17	H134409	1B16	9	20-5
H133674	3E10	20	50-75	H134108	4G4	4	80-15	H134414	4G18	10	80-29

NUMERICAL INDEX - CONTINUED

PART NO.	GRID	KEY	PAGE	PART NO.	GRID	KEY	PAGE	PART NO.	GRID	KEY	PAGE
H134417	2D25	24	40 - 39	H134558	4C2	19	70 - 13	H134917	4F23	22	80 - 9
H134417	5H24	2	110 - 63	H134558	4C8	11	70 - 19	H134930	4F25	12	80 - 11
H134417	7H12	10	160 - 3	H134600	3B21	2	50 - 8	H134930	4G2	10	80 - 13
H134418	6C7	7	120 - 21	H134602	3G6	21A	60 - 25	H134962	7E12	12	125 - 73
H134420	6C7	8	120 - 21	H134602	5E11	21A	90 - 73	H134963	7E12	13	125 - 73
H134424	3G10	23	60 - 29	H134603	7D22	27	125 - 59	H134996	6D8	17	120 - 47
H134424	4B18	10	70 - 5	H134603	7E3	8	125 - 64	H134999	2E22	6	40 - 61
H134424	4C6	14	70 - 17	H134605	7D22	25	125 - 59	H135017	7C14	40	125 - 27
H134424	4C10	19	70 - 21	H134606	7E3	7	125 - 64	H135036	6C7	18	120 - 21
H134425	3G10	25	60 - 29	H134620	7I12	5	170 - 23	H135037	6C7	18	120 - 21
H134425	4B18	8	70 - 5	H134620	7I16	9	170 - 27	H135112	3B24	5	50 - 11
H134425	4C6	9	70 - 17	H134622	3G8	41A	60 - 27	H135114	2C16	11	40 - 5
H134425	4C10	17	70 - 21	H134622	5E13	41A	90 - 75	H135118	2B23	13	30 - 13
H134426	3G10	21	60 - 29	H134623	3G8	45	60 - 27	H135126	7I23	2	170 - 35
H134426	4B18	7	70 - 5	H134623	5E13	45	90 - 75	H135128	7I16	3	170 - 27
H134426	4C6	13	70 - 17	H134624	3G8	44	60 - 27	H135128	7I19	20	170 - 30
H134426	4C10	20	70 - 21	H134624	5E13	44	90 - 75	H135129	7I23	4	170 - 35
H134427	3G10	22	60 - 29	H134635	3G6	22A	60 - 25	H135129	7I24	4	170 - 36
H134427	4B18	5	70 - 5	H134635	5E11	22A	90 - 73	H135130	7I16	11	170 - 27
H134427	4C6	12	70 - 17	H134648	6I6	8	121 - 77	H135131	7I18	10	170 - 29
H134427	4C10	18	70 - 21	H134652	6I8	16	121 - 79	H135132	7I18	12	170 - 29
H134428	3G12	7	60 - 31	H134653	6I6	12	121 - 77	H135133	7I18	2	170 - 29
H134428	4C6	20	70 - 17	H134654	6B17	6	120 - 5	H135134	7I18	14	170 - 29
H134428	4C10	24	70 - 21	H134654	6B19	20	120 - 7	H135141	7I21	3	170 - 33
H134429	4C2	15	70 - 13	H134654	6B21	20	120 - 9	H135147	4F25	16	80 - 11
H134429	4C8	7	70 - 19	H134654	6B23	15	120 - 11	H135147	4G2	16	80 - 13
H134434	3G12	11	60 - 31	H134655	5F9	12	90 - 97	H135148	4G4	6	80 - 15
H134434	4C6	16	70 - 17	H134666	4F17	2	80 - 3	H135148	4G6	6	80 - 17
H134434	4C10	22	70 - 21	H134667	7I23	8	170 - 35	H135154	4E13	10	70 - 75
H134442	3B21	..	50 - 8	H134671	5B24	9	90 - 11	H135155	3G10	12	60 - 29
H134442	7I21	3	170 - 33	H134679	6I6	6	121 - 77	H135156	3F11	6	60 - 5
H134444	3B23	13	50 - 10	H134680	6I6	14	121 - 77	H135156	3G16	6	60 - 35
H134444	3C14	7	50 - 27	H134681	6D10	9	120 - 49	H135158	6C17	8	120 - 31
H134463	6H4	20A	121 - 51	H134681	6D10	11	120 - 49	H135167	7I19	22	170 - 30
H134464	4G4	11	80 - 15	H134681	6D12	15	120 - 51	H135173	3C9	4	50 - 21
H134464	4G6	11	80 - 17	H134690	3E21	8	50 - 87	H135192	7G4	24	130 - 33
H134470	3G10	16	60 - 29	H134716	7C14	21	125 - 27	H135193	7G4	26	130 - 33
H134488	5D4	5	90 - 39	H134723	5C20	11A	90 - 31	H135209	7D18	4	125 - 55
H134488	5F19	5	110 - 7	H134724	5C20	10	90 - 31	H135211	3C18	14	50 - 31
H134489	5D4	4	90 - 39	H134733	5G2	17A	110 - 15	H135213	3C18	13	50 - 31
H134489	5F19	4	110 - 7	H134734	5H2	4	110 - 41	H135214	3C18	12	50 - 31
H134506	4G4	14	80 - 15	H134735	5H2	3	110 - 41	H135215	3C18	1	50 - 31
H134506	4G6	14	80 - 17	H134738	4F25	11	80 - 11	H135224	2F14	3	40 - 77
H134520	4F23	11	80 - 9	H134738	4G2	9	80 - 13	H135225	6E12	2	120 - 75
H134525	4F23	5	80 - 9	H134757	6C17	10	120 - 31	H135235	7E3	10	125 - 64
H134527	4F23	16	80 - 9	H134758	6C17	5	120 - 31	H135242	7I19	21	170 - 30
H134528	1B12	11	20 - 1	H134760	6G24	18	121 - 47	H135245	4G4	24	80 - 15
H134528	1B14	41	20 - 3	H134760	7F6	13	130 - 11	H135245	4G6	24	80 - 17
H134530	4F23	10	80 - 9	H134760	7F16	4	130 - 21	H135246	6C7	6	120 - 21
H134531	3C14	11	50 - 27	H134767	3C3	3	50 - 15	H135246	6C15	5	120 - 29
H134532	3G10	35	60 - 29	H134767	5D2	3	90 - 37	H135286	7F14	5	130 - 19
H134535	5C2	5	90 - 13	H134767	7I19	21	170 - 30	H135287	7F14	9	130 - 19
H134535	7I2	5	170 - 13	H134772	5E21	17	90 - 83	H135292	6G4	44	121 - 27
H134535	7I16	9	170 - 27	H134772	7H17	4	170 - 3	H135309	7E10	22	125 - 71
H134536	5C20	12	90 - 31	H134773	6G2	2	121 - 25	H135316	6C13	5	120 - 27
H134537	5C20	12	90 - 31	H134816	6C15	10	120 - 29	H135392	4G4	20	80 - 15
H134544	5C16	11	90 - 27	H134826	7E2	22	125 - 63	H135392	4G6	20	80 - 17
H134544	5C18	14	90 - 29	H134831	2E6	8	40 - 45	H135393	4G4	16	80 - 15
H134547	3G18	4	60 - 37	H134853	6B15	10	120 - 3	H135393	4G6	16	80 - 17
H134547	3G19	3	60 - 38	H134856	1C2	7	20 - 15	H135395	6G24	10	121 - 47
H134548	3G18	9	60 - 37	H134886	7C10	6	125 - 23	H135396	6D6	13	120 - 45
H134548	3G19	8	60 - 38	H134887	5H8	3	110 - 47	H135405	7I18	17	170 - 29
H134549	3G19	2	60 - 38	H134889	7C8	8	125 - 21	H135406	7I18	17	170 - 29
H134550	3G22	9	60 - 41	H134896	5G8	9	110 - 21	H135407	4C16	1	70 - 27
H134550	3G23	9	60 - 42	H134909	4F23	3	80 - 9	H135407	5G2	9	110 - 15
H134557	3G21	7	60 - 40	H134913	4F23	26	80 - 9	H135409	5E15	31	90 - 77
H134558	3G10	7	60 - 29	H134915	4F23	21	80 - 9	H135410	6H4	2	121 - 51

1K24

9400 MAXIMIZER COMBINE

NUMERICAL INDEX - CONTINUED

PART NO.	GRID	KEY	PAGE	PART NO.	GRID	KEY	PAGE	PART NO.	GRID	KEY	PAGE
H135410	6H8	13	121 - 55	H135849	6H6	2	121 - 53	H136257	7C16	5	125 - 29
H135410	6I2	24	121 - 73	H135850	6C21	18	120 - 35	H136257	7C18	5	125 - 31
H135410	6I4	23	121 - 75	H135850	6H6	7	121 - 53	H136263	7D4	1A	125 - 41
H135417	6H8	21	121 - 55	H135860	4G18	3	80 - 29	H136279	7C24	8	125 - 37
H135417	7H18	4	170 - 4	H135887	5B24	11A	90 - 11	H136280	7C20	1	125 - 33
H135422	6C25	16	120 - 39	H135891	5H24	30	110 - 63	H136299	7C24	6	125 - 37
H135423	6H4	37	121 - 51	H135891	6C2	18	120 - 15	H136300	7C24	5	125 - 37
H135452	7F14	14	130 - 19	H135891	6C2	..	120 - 15	H136304	7H4	5	130 - 57
H135453	7F14	17	130 - 19	H135891	6C9	7	120 - 23	H136306	7H4	4	130 - 57
H135454	7F14	2	130 - 19	H135897	4D25	7A	70 - 61	H136334	3G22	11	60 - 41
H135475	6D2	18	120 - 41	H135898	4D25	20	70 - 61	H136335	3G22	7	60 - 41
H135476	5H4	6	110 - 43	H135898	4E2	20	70 - 63	H136336	4C6	37	70 - 17
H135493	7C14	8	125 - 27	H135923	6E12	2	120 - 75	H136336	5F23	27	110 - 11
H135494	7C14	23	125 - 27	H135941	5G8	12	110 - 21	H136541	5E19	16	90 - 81
H135497	3C22	27	50 - 35	H135942	3C7	12	50 - 19	H136541	7F24	23	130 - 29
H135497	3C23	27	50 - 36	H135943	3C5	28	50 - 17	H136564	2B23	1	30 - 13
H135498	3C20	18	50 - 33	H135944	3C7	9	50 - 19	H136564	2B25	1	30 - 15
H135499	3C16	18	50 - 29	H135963	2F20	1	40 - 83	H136570	7H2	12	130 - 55
H135500	3C16	16	50 - 29	H135964	4C18	11	70 - 29	H136572	7G4	25	130 - 33
H135500	3C17	1	50 - 30	H135964	7H13	11	160 - 4	H136573	7G4	27	130 - 33
H135500	3D2	12	50 - 41	H135965	4G24	8	80 - 35	H136575	3B18	13	50 - 5
H135503	3C18	7	50 - 31	H135965	4H2	11	80 - 37	H136577	2B23	9	30 - 13
H135504	3C18	8	50 - 31	H135974	3F11	8	60 - 5	H136577	2B25	8	30 - 15
H135505	3C22	1	50 - 35	H135974	4C12	16	70 - 23	H136577	4G2	27	80 - 13
H135508	3D2	20	50 - 41	H135988	6C2	24A	120 - 15	H136582	7D22	30	125 - 59
H135509	3D2	14	50 - 41	H136007	7I16	8	170 - 27	H136583	7I19	23	170 - 30
H135511	6G24	29	121 - 47	H136008	7I18	1	170 - 29	H136589	5B24	15	90 - 11
H135512	6G24	9	121 - 47	H136011	5C10	30	90 - 21	H136590	5B24	20	90 - 11
H135519	6E20	9	120 - 83	H136011	5C12	17	90 - 23	H136591	4F25	9	80 - 11
H135538	7F8	13	130 - 13	H136012	5C10	27	90 - 21	H136603	5E21	25	90 - 83
H135542	6D16	8	120 - 55	H136013	5G8	3	110 - 21	H136609	6D16	10	120 - 55
H135544	6D16	7	120 - 55	H136014	4G6	28	80 - 17	H136611	6D16	11	120 - 55
H135566	4E5	12	70 - 67	H136015	4G6	27	80 - 17	H137187	6D20	1A	120 - 59
H135567	3C18	11	50 - 31	H136015	5G8	6	110 - 21	H137188	6E4	20	120 - 67
H135569	4E5	1	70 - 67	H136018	3F23	22	60 - 17	H137201	7I24	1	170 - 36
H135570	3C22	9	50 - 35	H136026	3C14	10	50 - 27	H137202	7I24	2	170 - 36
H135570	3C23	9	50 - 36	H136027	3C14	10	50 - 27	H137203	6C5	20	120 - 19
H135571	3D2	5	50 - 41	H136047	7E2	6	125 - 63	H137203	6C15	17	120 - 29
H135588	7F18	9	130 - 23	H136054	7E2	8	125 - 63	H137204	6C5	21	120 - 19
H135590	7F18	12	130 - 23	H136055	7E2	8	125 - 63	H137204	6C15	14	120 - 29
H135590	7F20	12	130 - 25	H136056	5B24	19	90 - 11	H137215	6C25	21	120 - 39
H135599	6H8	25	121 - 55	H136094	7F8	1	130 - 13	H137225	4E13	1	70 - 75
H135608	3G10	15	60 - 29	H136095	7F8	1	130 - 13	H137225	7G8	21A	130 - 37
H135610	4F25	21	80 - 11	H136109	2G18	8	40 - 105	H137227	7G8	23	130 - 37
H135610	4G2	21	80 - 13	H136109	5C16	16	90 - 27	H137261	4G4	15	80 - 15
H135614	5B20	1	90 - 7	H136109	5C18	17	90 - 29	H137261	4G6	15	80 - 17
H135615	5B20	6	90 - 7	H136110	2G18	6	40 - 105	H137264	6H8	21	121 - 55
H135618	4C2	17	70 - 13	H136110	5C16	14	90 - 27	H137264	7H18	4	170 - 4
H135618	4C8	9	70 - 19	H136110	5C18	16	90 - 29	H137266	6H8	7	121 - 55
H135619	3G10	31	60 - 29	H136115	3G18	2	60 - 37	H137267	4F25	20	80 - 11
H135622	6G24	27A	121 - 47	H136126	5C10	33	90 - 21	H137267	4G2	20	80 - 13
H135623	6G24	28A	121 - 47	H136126	5C12	21	90 - 23	H137276	7F2	10	130 - 7
H135641	4C20	2	70 - 31	H136127	5C10	32	90 - 21	H137304	2E6	9	40 - 45
H135641	4C22	4	70 - 33	H136127	5C12	19	90 - 23	H137322	5G17	5	110 - 31
H135641	4C24	4	70 - 35	H136142	5C8	1	90 - 19	H137323	2B13	25	30 - 3
H135713	7F6	6	130 - 11	H136143	5C8	1	90 - 19	H137326	5E15	33	90 - 77
H135772	2G23	9	40 - 111	H136144	5H4	1	110 - 43	H137328	3G8	54B	60 - 27
H135772	5H20	6	110 - 59	H136145	3C1	6A	50 - 13	H137328	5E13	54B	90 - 75
H135773	2G23	10	40 - 111	H136145	3C1	6B	50 - 13	H137329	6C7	3	120 - 21
H135776	4D16	26	70 - 51	H136158	5C4	20	90 - 15	H137333	3C1	5	50 - 13
H135776	4D25	16	70 - 61	H136158	7I23	3	170 - 35	H137333	3C1	6A	50 - 13
H135777	4D19	27	70 - 55	H136163	3C25	27	50 - 39	H137334	3C1	2A	50 - 13
H135777	4D21	23	70 - 57	H136179	7B25	30	125 - 13	H137343	4G16	8	80 - 27
H135777	4D25	15	70 - 61	H136179	7C4	8	125 - 17	H137347	6D10	6	120 - 49
H135777	4E2	15	70 - 63	H136186	7F10	13	130 - 15	H137348	6D10	5	120 - 49
H135844	7C24	1	125 - 37	H136186	7F12	10	130 - 17	H137356	7I19	25	170 - 30
H135844	7D2	10	125 - 39	H136209	7F14	8	130 - 19	H137358	5C10	5	90 - 21

1K25

9400 MAXIMIZER COMBINE

NUMERICAL INDEX - CONTINUED

PART NO.	GRID	KEY	PAGE	PART NO.	GRID	KEY	PAGE	PART NO.	GRID	KEY	PAGE
H137360	5C10	10	90 - 21	H137919	7F10	9	130 - 15	H139132	6H14	7	121 - 61
H137360	5C12	2	90 - 23	H137919	7F12	12	130 - 17	H139320	3B21	6	50 - 8
H137364	7I24	1	170 - 36	H137939	5G2	24	110 - 15	H139338	2F10	5A	40 - 73
H137365	7I24	2	170 - 36	H137939	5G4	24	110 - 17	H139338	6B15	8	120 - 3
H137389	6D8	17	120 - 47	H137939	5G6	24	110 - 19	H139392	7I16	6	170 - 27
H137402	5E2	15A	90 - 63	H137939	7H12	8	160 - 3	H139393	7I16	7	170 - 27
H137403	7C8	5	125 - 21	H137939	7I18	18	170 - 29	H139427	3G6	41A	60 - 25
H137417	5D15	4	90 - 51	H137940	7I18	18	170 - 29	H139427	5E11	41A	90 - 73
H137418	5D15	9	90 - 51	H137947	6C7	14	120 - 21	H139431	7I18	7	170 - 29
H137420	5D15	11	90 - 51	H138085	6G6	1	121 - 29	H139448	4F11	9	70 - 99
H137421	5D15	10	90 - 51	H138297	5C2	4	90 - 13	H139512	4D25	14A	70 - 61
H137426	7I23	1	170 - 35	H138303	7C16	13	125 - 29	H139512	4D25	14B	70 - 61
H137427	7I23	1	170 - 35	H138344	6E20	8	120 - 83	H139512	4E2	14	70 - 63
H137439	5G25	7	110 - 39	H138344	6H2	23	121 - 49	H139513	4D25	7A	70 - 61
H137447	5C20	9	90 - 31	H138410	3H4	7B	60 - 47	H139513	4D25	7B	70 - 61
H137448	5G25	6	110 - 39	H138411	3G12	9	60 - 31	H139513	4E2	7	70 - 63
H137458	4G12	11	80 - 23	H138411	4C6	15	70 - 17	H139515	4D25	7A	70 - 61
H137523	4B16	6	70 - 3	H138411	4C10	21	70 - 21	H139515	4D25	14A	70 - 61
H137534	4H6	12	80 - 41	H138423	4C20	13	70 - 31	H139515	4D25	24	70 - 61
H137538	2C16	18	40 - 5	H138423	4C22	15	70 - 33	H139515	4E2	7	70 - 63
H137539	2C16	18	40 - 5	H138423	4C24	6	70 - 35	H139515	4E2	14	70 - 63
H137570	6I2	9	121 - 73	H138423	7I18	13	170 - 29	H139515	4E2	24	70 - 63
H137574	6G18	18	121 - 41	H138435	5F21	12	110 - 9	H139545	6H22	24	121 - 69
H137575	6G16	8	121 - 39	H138435	5H14	23	110 - 53	H139545	6H24	22	121 - 71
H137579	6G18	5	121 - 41	H138435	5H22	14	110 - 61	H139545	6I2	10	121 - 73
H137580	6G18	1	121 - 41	H138435	5H24	4	110 - 63	H139545	6I4	10	121 - 75
H137583	6G4	19	121 - 27	H138435	6E20	12	120 - 83	H139600	7B19	4	125 - 7
H137585	7D24	9	125 - 61	H138435	6H8	29	121 - 55	H139600	7B21	4	125 - 9
H137593	4C20	17	70 - 31	H138435	6I2	5	121 - 73	H139603	3B21	..	50 - 8
H137596	4C22	21	70 - 33	H138435	6I2	16	121 - 73	H139603	7I21	3	170 - 33
H137602	7D10	33	125 - 47	H138435	7B23	8	125 - 11	H139656	3F25	1	60 - 19
H137603	7D10	28	125 - 47	H138435	7C14	42	125 - 27	H139667	6E14	1	120 - 77
H137606	7F14	21	130 - 19	H138435	7D22	1	125 - 59	H139667	6E16	1	120 - 79
H137667	3G8	49	60 - 27	H138435	7E10	36	125 - 71	H139667	6E18	1	120 - 81
H137667	5E13	49	90 - 75	H138435	7E12	1	125 - 73	H139670	7C16	10	125 - 29
H137670	6G4	25	121 - 27	H138435	7E14	1	125 - 75	H139681	7C2	55	125 - 15
H137670	6G18	3	121 - 41	H138435	7G24	1	130 - 53	H139682	7C2	54	125 - 15
H137670	7H17	6	170 - 3	H138435	7H2	38	130 - 55	H139709	6G12	1	121 - 35
H137671	6G10	39	121 - 33	H138592	7E23	15	130 - 3	H139807	3G22	9	60 - 41
H137671	6G18	20	121 - 41	H138606	3B21	2	50 - 8	H139807	3G23	9	60 - 42
H137671	7H17	7	170 - 3	H138607	3B21	1	50 - 8	H139837	5G17	23	110 - 31
H137672	3C12	7	50 - 25	H138753	5G25	28	110 - 39	H139937	7C20	5	125 - 33
H137721	6G20	5	121 - 43	H138753	5G25	31	110 - 39	H139938	7C20	4	125 - 33
H137729	7D12	14	125 - 49	H138798	2C16	11	40 - 5	H139948	7I16	14	170 - 27
H137731	2E6	3	40 - 45	H138930	7G8	19	130 - 37	H139948	7I18	15	170 - 29
H137732	2E6	10	40 - 45	H138955	5C2	17A	90 - 13	H139949	7I16	14	170 - 27
H137814	7H2	41	130 - 55	H138987	1B16	7	20 - 5	H139949	7I18	15	170 - 29
H137815	6H8	36	121 - 55	H138989	4G16	7	80 - 27	H139964	7D8	7	125 - 45
H137817	6H8	34	121 - 55	H138989	6I8	17	121 - 79	H139969	7F18	10	130 - 23
H137817	6H8	..	121 - 55	H138989	7I16	2	170 - 27	H139972	7F24	27	130 - 29
H137823	5D6	13	90 - 41	H138989	7I18	8	170 - 29	H139988	7C20	8	125 - 33
H137830	7F6	15	130 - 11	H138989	7I23	7	170 - 35	H139988	7C22	16	125 - 35
H137830	7F16	10	130 - 21	H139005	7D4	2	125 - 41	H139989	7I16	5	170 - 27
H137830	7H17	5	170 - 3	H139006	7C24	7	125 - 37	H140019	6E14	3	120 - 77
H137854	5E6	1	90 - 67	H139006	7D6	5	125 - 43	H140020	6E20	16	120 - 83
H137855	5E6	6	90 - 67	H139007	7C20	11	125 - 33	H140043	6C2	2	120 - 15
H137856	5E6	4	90 - 67	H139008	7C20	15	125 - 33	H140043	6C11	2	120 - 25
H137857	5E6	5	90 - 67	H139036	7I16	2	170 - 27	H140070	6E14	4	120 - 77
H137858	5E6	3	90 - 67	H139036	7I18	8	170 - 29	H140074	2E16	18	40 - 55
H137859	5E6	5	90 - 67	H139036	7I23	7	170 - 35	H140074	6E14	5	120 - 77
H137865	7D6	13	125 - 43	H139049	7I18	13	170 - 29	H140096	7F8	15	130 - 13
H137866	7D6	8	125 - 43	H139056	4G24	5	80 - 35	H140097	7F8	11	130 - 13
H137867	7D6	3	125 - 43	H139056	7F24	28	130 - 29	H140121	4F23	25	80 - 9
H137869	7H2	12	130 - 55	H139098	6C7	25	120 - 21	H140122	5G2	10	110 - 15
H137916	7F10	6	130 - 15	H139098	6C9	9	120 - 23	H140122	5G4	10	110 - 17
H137916	7F12	6	130 - 17	H139132	6H10	7	121 - 57	H140122	5G6	10	110 - 19
H137919	7F10	8	130 - 15	H139132	6H12	7	121 - 59	H140135	3F23	9	60 - 17

NUMERICAL INDEX - CONTINUED

PART NO.	GRID	KEY	PAGE	PART NO.	GRID	KEY	PAGE	PART NO.	GRID	KEY	PAGE
H140135	3F24	8	60 - 18	H140709	3B21	..	50 - 8	H141327	3G8	9	60 - 27
H140149	7E18	4	125 - 79	H140709	3H8	..	60 - 51	H141327	5E4	8	90 - 65
H140160	5H6	7	110 - 45	H140709	7I21	2	170 - 33	H141327	5E13	9	90 - 75
H140160	6G2	26	121 - 25	H140709	7I21	4	170 - 33	H141343	7I18	3	170 - 29
H140160	6H18	12	121 - 65	H140710	3B21	..	50 - 8	H141350	3B18	18	50 - 5
H140160	7H18	1	170 - 4	H140710	3H8	..	60 - 51	H141356	6G20	14	121 - 43
H140161	7C16	4	125 - 29	H140711	3B21	..	50 - 8	H141386	3B18	27	50 - 5
H140161	7C18	4	125 - 31	H140711	7I21	4	170 - 33	H141386	5E4	25	90 - 65
H140162	7C16	2	125 - 29	H140712	3F15	20	60 - 9	H141387	3B18	28	50 - 5
H140162	7C18	2	125 - 31	H140713	3F15	30	60 - 9	H141388	7B25	33	125 - 13
H140180	3D21	11	50 - 61	H140715	1B14	11	20 - 3	H141388	7C6	15	125 - 19
H140180	3D25	9	50 - 65	H140715	3F15	19	60 - 9	H141393	5E4	2	90 - 65
H140195	5F17	32	110 - 5	H140746	3F15	8	60 - 9	H141406	2E2	1	40 - 41
H140218	6E12	17	120 - 75	H140747	3F15	9	60 - 9	H141406	2E2	2	40 - 41
H140225	4G4	21	80 - 15	H140749	3H8	..	60 - 51	H141406	2E20	12	40 - 59
H140225	4G6	21	80 - 17	H140749	7I21	2	170 - 33	H141410	7G6	5	130 - 35
H140227	3C7	13	50 - 19	H140749	7I21	4	170 - 33	H141411	2E8	1	40 - 47
H140247	6D16	3	120 - 55	H140750	3B21	..	50 - 8	H141412	2B13	25	30 - 3
H140248	2C16	9	40 - 5	H140751	7I21	4	170 - 33	H141416	6D20	1A	120 - 59
H140248	2D2	3	40 - 15	H140768	7I19	21	170 - 30	H141416	6D20	1B	120 - 59
H140248	2F11	3	40 - 74	H140803	6C5	12	120 - 19	H141422	3F15	34	60 - 9
H140298	4B18	7	70 - 5	H140803	6C5	13	120 - 19	H141449	7G16	1A	130 - 45
H140298	4B18	10	70 - 5	H140803	6C9	3	120 - 23	H141449	7G16	1B	130 - 45
H140298	4C6	13	70 - 17	H140804	6C5	8	120 - 19	H141450	7G16	13	130 - 45
H140298	4C10	20	70 - 21	H140804	6C5	12	120 - 19	H141500	5H2	7	110 - 41
H140299	3F9	8	60 - 3	H140836	5D4	19	90 - 39	H141547	7E2	28	125 - 63
H140300	4G20	16	80 - 31	H140836	5F19	19	110 - 7	H141548	7E2	30	125 - 63
H140308	3F9	4	60 - 3	H140846	1B20	16A	20 - 9	H141549	5G6	35	110 - 19
H140322	3F9	2	60 - 3	H140848	1B20	16B	20 - 9	H141549	7E2	33	125 - 63
H140333	3F9	2	60 - 3	H140866	4F17	21	80 - 3	H141558	3C14	3	50 - 27
H140380	1B18	12	20 - 7	H140872	4G14	5	80 - 25	H141563	6H22	27	121 - 69
H140382	3G22	10	60 - 41	H140881	4G14	1	80 - 25	H141564	6H22	7	121 - 69
H140382	3G23	10	60 - 42	H140944	6H6	19	121 - 53	H141565	6H22	3	121 - 69
H140383	3G23	10	60 - 42	H140944	6H22	6	121 - 69	H141565	6H22	7	121 - 69
H140396	5E2	17	90 - 63	H141033	7F8	11	130 - 13	H141580	7B23	1	125 - 11
H140397	6H10	3	121 - 57	H141044	7F20	10	130 - 25	H141588	6G8	4	121 - 31
H140397	6H12	3	121 - 59	H141055	6I8	12	121 - 79	H141593	3H8	..	60 - 51
H140397	6H14	3	121 - 61	H141059	6I6	6	121 - 77	H141673	6H22	3	121 - 69
H140404	6H8	21	121 - 55	H141059	6I8	18	121 - 79	H141673	6H22	7	121 - 69
H140404	7H18	4	170 - 4	H141060	6I6	14	121 - 77	H141673	6H24	3	121 - 71
H140414	2E16	20	40 - 55	H141060	6I8	11	121 - 79	H141735	6G18	11	121 - 41
H140414	6E12	13	120 - 75	H141061	6I6	12	121 - 77	H141770	4G18	8A	80 - 29
H140467	7E10	25	125 - 71	H141069	3F15	16	60 - 9	H141770	4G18	8B	80 - 29
H140467	7E12	14	125 - 73	H141088	4G16	10	80 - 27	H141771	4G18	..	80 - 29
H140467	7E14	16	125 - 75	H141100	6I6	8	121 - 77	H141772	4G18	1B	80 - 29
H140497	2B13	23	30 - 3	H141106	7C20	5	125 - 33	H141813	4G22	2	80 - 33
H140579	7I16	15	170 - 27	H141107	7C20	4	125 - 33	H141835	5G8	5	110 - 21
H140582	7I16	15	170 - 27	H141108	7C20	16	125 - 33	H141836	4G2	15	80 - 13
H140583	7I18	3	170 - 29	H141123	4G10	3	80 - 21	H141869	3F21	11	60 - 15
H140590	5C21	..	90 - 32	H141123	7F24	36	130 - 29	H141883	6E12	22	120 - 75
H140595	3F15	5	60 - 9	H141123	7G14	14	130 - 43	H141946	3G8	53	60 - 27
H140620	3F15	7	60 - 9	H141127	2E2	1	40 - 41	H141946	5E13	53	90 - 75
H140627	2C20	3	40 - 9	H141127	2E2	2	40 - 41	H141955	2C20	6	40 - 9
H140628	2C20	2	40 - 9	H141135	7C2	58	125 - 15	H141975	4G20	13B	80 - 31
H140628	2E10	2	40 - 49	H141138	7C4	11A	125 - 17	H141975	6D4	17	120 - 43
H140628	2E12	6	40 - 51	H141167	7F6	15	130 - 11	H141978	4H10	19	80 - 45
H140645	4F17	2	80 - 3	H141167	7F16	10	130 - 21	H141979	4H10	8B	80 - 45
H140664	2C14	16	40 - 3	H141167	7H17	5	170 - 3	H141993	6C13	12	120 - 27
H140664	2D25	9	40 - 39	H141246	3F15	13	60 - 9	H142030	3C5	8	50 - 17
H140677	6E14	11	120 - 77	H141289	5D13	12B	90 - 49	H142031	3C5	37	50 - 17
H140678	6E14	8	120 - 77	H141292	5B16	15	90 - 3	H142035	4G10	18	80 - 21
H140691	3F15	21	60 - 9	H141313	6E14	12	120 - 77	H142044	3B18	18	50 - 5
H140692	3F15	11	60 - 9	H141314	6E14	9	120 - 77	H142044	3B20	18	50 - 7
H140694	3F15	27	60 - 9	H141315	3C3	28	50 - 15	H142055	6H2	11	121 - 49
H140695	3F15	28	60 - 9	H141325	2D25	12	40 - 39	H142107	3G18	6	60 - 37
H140696	3F15	29	60 - 9	H141325	2D25	21	40 - 39	H142107	3G19	5	60 - 38
H140708	3F15	12	60 - 9	H141325	2E4	17	40 - 43	H142139	4F25	9	80 - 11

NUMERICAL INDEX - CONTINUED

PART NO.	GRID	KEY	PAGE	PART NO.	GRID	KEY	PAGE	PART NO.	GRID	KEY	PAGE
H142141	7B25	21	125 - 13	H143744	7C20	15	125 - 33	H144291	2E20	32	40 - 59
H142141	7B25	37B	125 - 13	H143757	1B22	16	20 - 11	H144293	3D14	20	50 - 53
H142141	7C4	13	125 - 17	H143757	3G4	16	60 - 23	H144293	3G20	3	60 - 39
H142143	6G22	21	121 - 45	H143762	7C20	19	125 - 33	H144299	7C2	49	125 - 15
H142143	6H4	23	121 - 51	H143834	6C2	28B	120 - 15	H144342	4E20	12	70 - 82
H142182	7I18	3	170 - 29	H143869	1B12	3	20 - 1	H144385	3C7	20	50 - 19
H142183	4D12	22	70 - 47	H143869	7H17	2	170 - 3	H144386	3C7	1	50 - 19
H142188	6C25	6	120 - 39	H143891	3B16	12	50 - 3	H144467	6D6	16	120 - 45
H142189	6C25	5	120 - 39	H143918	2D2	10	40 - 15	H144472	5C6	9	90 - 17
H142861	5G10	9	110 - 23	H143918	2D2	15	40 - 15	H144546	5E15	4	90 - 77
H142869	5G12	15	110 - 25	H143918	2D2	17	40 - 15	H144546	5E17	9	90 - 79
H142870	5G12	24	110 - 25	H143918	2D2	20	40 - 15	H144556	6D12	1	120 - 51
H143317	2G18	1	40 - 105	H143918	2D2	22	40 - 15	H144557	6D12	11	120 - 51
H143331	4G18	10	80 - 29	H143918	2D2	24	40 - 15	H144558	6D8	19	120 - 47
H143332	7B17	3	125 - 5	H143918	2D2	27	40 - 15	H144562	2D2	10	40 - 15
H143332	7B19	7	125 - 7	H143918	2D2	39	40 - 15	H144562	2D2	17	40 - 15
H143332	7B21	3	125 - 9	H143948	7C22	4	125 - 35	H144562	2D2	20	40 - 15
H143351	5G21	15	110 - 35	H143949	7C22	10	125 - 35	H144562	2D2	22	40 - 15
H143353	5G17	20	110 - 31	H143950	7C22	9	125 - 35	H144562	2D2	24	40 - 15
H143353	5G21	23	110 - 35	H143951	7C22	14	125 - 35	H144562	2D2	27	40 - 15
H143354	5G17	20	110 - 31	H143952	7C22	12	125 - 35	H144562	2D2	39	40 - 15
H143354	5G21	12	110 - 35	H143955	7C18	12	125 - 31	H144692	1B18	20	20 - 7
H143358	5H8	1	110 - 47	H144020	1B20	14	20 - 9	H144692	7I16	5	170 - 27
H143358	5H10	9	110 - 49	H144020	1B20	15A	20 - 9	H144715	4F17	24	80 - 3
H143376	5H8	1	110 - 47	H144020	1B20	15B	20 - 9	H144716	4F17	24	80 - 3
H143376	5H10	1	110 - 49	H144021	1B20	2	20 - 9	H144717	4F17	25	80 - 3
H143385	6F17	3	121 - 15	H144021	1B20	14	20 - 9	H144742	6C5	14	120 - 19
H143385	6G4	3	121 - 27	H144021	1B20	15A	20 - 9	H144742	6C9	6	120 - 23
H143387	6B25	3B	120 - 13	H144029	4H6	7	80 - 41	H144742	6C17	14	120 - 31
H143389	6B25	2B	120 - 13	H144032	2G14	18	40 - 101	H144759	6F11	7	121 - 9
H143407	5G8	12	110 - 21	H144037	6C2	24A	120 - 15	H144761	6F9	9	121 - 7
H143407	5G8	20	110 - 21	H144038	6G18	5	121 - 41	H144762	6F9	9	121 - 7
H143407	5G8	25	110 - 21	H144039	6G18	5	121 - 41	H144801	2F10	5A	40 - 73
H143408	3C7	12	50 - 19	H144052	5G17	10	110 - 31	H144801	2F10	5B	40 - 73
H143420	2B13	15	30 - 3	H144052	5G21	10	110 - 35	H144801	6B15	8	120 - 3
H143420	6H2	12B	121 - 49	H144063	5G8	9	110 - 21	H144823	6E22	3A	120 - 85
H143421	6H2	22	121 - 49	H144094	2F8	5	40 - 71	H144823	6E22	3B	120 - 85
H143426	6F11	7	121 - 9	H144095	2F8	6	40 - 71	H144823	7G2	8	130 - 31
H143430	6F7	2	121 - 5	H144114	2F6	2	40 - 69	H144823	7G2	9	130 - 31
H143439	5E4	21	90 - 65	H144122	6F23	9	121 - 21	H144825	5G10	4	110 - 23
H143439	5E6	8	90 - 67	H144122	6F25	9	121 - 23	H144825	6E22	1C	120 - 85
H143445	3B20	5	50 - 7	H144123	5E21	25	90 - 83	H144825	7G2	8	130 - 31
H143453	4G24	13	80 - 35	H144124	1B23	2	20 - 12	H144826	5H8	4	110 - 47
H143453	4H2	17	80 - 37	H144139	2F6	2	40 - 69	H144834	6F7	7	121 - 5
H143454	4G24	14	80 - 35	H144157	7D2	4	125 - 39	H144896	7D6	3	125 - 43
H143454	4H2	18	80 - 37	H144158	7D2	5	125 - 39	H144962	6G10	42	121 - 33
H143456	5G17	10	110 - 31	H144161	7D2	2	125 - 39	H144970	3G8	41B	60 - 27
H143460	5C6	8	90 - 17	H144163	7D2	7	125 - 39	H144970	5E13	41B	90 - 75
H143462	2E6	10	40 - 45	H144184	3B16	11B	50 - 3	H144971	7F2	8	130 - 7
H143463	2C4	3	30 - 19	H144201	5G25	21	110 - 39	H145001	6F21	4	121 - 19
H143465	4F23	14	80 - 9	H144242	2F22	3	40 - 85	H145003	1C6	10	20 - 19
H143489	5H2	17	110 - 41	H144244	5E2	10	90 - 63	H145026	2F5	3	40 - 68
H143529	4F25	23	80 - 11	H144245	1B22	6	20 - 11	H145026	7H16	1	170 - 2
H143562	1B16	5	20 - 5	H144246	1B22	12	20 - 11	H145046	6F25	9	121 - 23
H143562	1B16	11	20 - 5	H144247	1B22	3	20 - 11	H145051	4D14	22	70 - 49
H143562	1B16	14	20 - 5	H144248	1B22	2	20 - 11	H145051	4D14	25	70 - 49
H143562	1B16	22	20 - 5	H144250	2C4	3	30 - 19	H145051	4D25	11	70 - 61
H143562	1B18	17	20 - 7	H144255	2D4	16	40 - 17	H145051	4D25	28	70 - 61
H143593	2D2	33	40 - 15	H144256	2F13	12	40 - 76	H145051	4E2	11	70 - 63
H143610	6C5	16	120 - 19	H144269	3F17	20	60 - 11	H145051	4E2	28	70 - 63
H143610	6C15	4	120 - 29	H144270	3F17	14	60 - 11	H145052	4D14	22	70 - 49
H143615	6E12	15	120 - 75	H144274	5D13	13	90 - 49	H145052	4D14	24	70 - 49
H143632	2C16	11	40 - 5	H144277	1B16	14	20 - 5	H145052	4D25	11	70 - 61
H143714	7C24	12	125 - 37	H144288	7B15	20	125 - 3	H145052	4D25	27	70 - 61
H143731	6C21	20	120 - 35	H144288	7C2	48	125 - 15	H145052	4E2	11	70 - 63
H143735	7E10	9	125 - 71	H144288	7C4	17	125 - 17	H145052	4E2	27	70 - 63
H143743	7C20	11	125 - 33	H144290	7C2	48	125 - 15	H145082	5E2	4	90 - 63

NUMERICAL INDEX - CONTINUED

PART NO.	GRID	KEY	PAGE	PART NO.	GRID	KEY	PAGE	PART NO.	GRID	KEY	PAGE
H145095	7C22	7	125 - 35	H145880	6E22	1B	120 - 85	H146535	4E3	5A	70 - 64
H145096	7C22	6	125 - 35	H145880	6E22	3A	120 - 85	H146535	4E3	5B	70 - 64
H145112	6D2	6	120 - 41	H145893	5B24	11B	90 - 11	H146536	7E2	6	125 - 63
H145112	7C14	14	125 - 27	H145899	6D12	12	120 - 51	H146537	7E2	30	125 - 63
H145158	1B12	3	20 - 1	H145900	6D12	18	120 - 51	H146577	1B14	8	20 - 3
H145158	1B14	5	20 - 3	H145949	6D10	6	120 - 49	H146585	5F17	18	110 - 5
H145158	7H17	2	170 - 3	H145949	6D12	7	120 - 51	H146586	1B14	34	20 - 3
H145173	3C7	1	50 - 19	H145950	6D10	5	120 - 49	H146636	1B14	45	20 - 3
H145221	2D23	2	40 - 37	H145950	6D10	6	120 - 49	H146636	7H17	3	170 - 3
H145243	6G18	11	121 - 41	H145950	6D12	5	120 - 51	H146639	6E12	22	120 - 75
H145247	3E14	9	50 - 79	H145955	6G18	1	121 - 41	H146640	3B24	4	50 - 11
H145247	3E21	8	50 - 87	H145970	6C2	2	120 - 15	H146646	3C9	22	50 - 21
H145247	3E22	2	50 - 88	H145970	6C11	2	120 - 25	H146672	6D20	1C	120 - 59
H145257	6C13	5	120 - 27	H145970	6G6	16	121 - 29	H146680	1B14	46	20 - 3
H145264	2D4	15	40 - 17	H145976	6D12	18	120 - 51	H146680	4F23	30	80 - 9
H145275	7B19	1	125 - 7	H145982	5C2	17B	90 - 13	H146730	2F10	5B	40 - 73
H145275	7B23	1	125 - 11	H145983	5C2	17B	90 - 13	H146730	2F10	5C	40 - 73
H145316	7F14	5	130 - 19	H145986	5E23	10	90 - 85	H146730	6B15	8	120 - 3
H145317	7F14	9	130 - 19	H145987	5E23	9	90 - 85	H146754	6D6	8	120 - 45
H145319	7C2	53	125 - 15	H145994	6G10	39	121 - 33	H146756	4G18	10	80 - 29
H145319	7C6	7	125 - 19	H145994	6G18	20	121 - 41	H146757	4H10	19	80 - 45
H145335	3C7	1	50 - 19	H145994	7H17	7	170 - 3	H146757	6D4	18	120 - 43
H145417	2C18	14	40 - 7	H145995	3G24	..	60 - 43	H146765	4F23	5	80 - 9
H145417	5C24	14	90 - 35	H145995	3H8	..	60 - 51	H146766	5G2	20	110 - 15
H145418	2C16	19	40 - 5	H145995	7I21	1	170 - 33	H146766	5G4	20	110 - 17
H145419	2C16	20	40 - 5	H145996	7I21	1	170 - 33	H146766	5G6	20	110 - 19
H145420	2C16	21	40 - 5	H146011	7C22	1	125 - 35	H146775	7G6	5	130 - 35
H145462	5H10	4	110 - 49	H146042	3G6	41A	60 - 25	H146944	1C2	4	20 - 15
H145464	5H8	3	110 - 47	H146042	3G6	41B	60 - 25	H146950	2G14	9	40 - 101
H145464	5H10	15	110 - 49	H146042	5E11	41A	90 - 73	H146951	5F17	34	110 - 5
H145505	1D3	4	24 - 15	H146042	5E11	41B	90 - 73	H147004	3F25	1	60 - 19
H145511	2D2	10	40 - 15	H146057	4F19	3	80 - 5	H147068	2C6	8	30 - 21
H145511	2D2	15	40 - 15	H146064	1B14	14	20 - 3	H147069	2C6	1	30 - 21
H145511	2D2	17	40 - 15	H146088	3E22	1	50 - 88	H147074	4F17	2	80 - 3
H145511	2D2	20	40 - 15	H146089	3E22	1	50 - 88	H147111	2C4	12	30 - 19
H145511	2D2	22	40 - 15	H146260	4F23	10	80 - 9	H147137	4G22	..	80 - 33
H145511	2D2	24	40 - 15	H146281	3H4	7A	60 - 47	H147192	3G8	10	60 - 27
H145511	2D2	27	40 - 15	H146306	2D25	25	40 - 39	H147192	5E13	10	90 - 75
H145511	2D2	39	40 - 15	H146306	7H12	11	160 - 3	H147249	2C22	1	40 - 11
H145516	6E23	3	120 - 86	H146308	7C2	49	125 - 15	H147299	7F24	15	130 - 29
H145516	7G2	8	130 - 31	H146308	7C4	15	125 - 17	H147302	7B19	3	125 - 7
H145516	7G2	9	130 - 31	H146310	7H2	41	130 - 55	H147302	7B21	2	125 - 9
H145530	6F17	3	121 - 15	H146315	5E2	15A	90 - 63	H147304	7B19	2	125 - 7
H145530	6G4	3	121 - 27	H146315	5E2	15B	90 - 63	H147304	7B21	1	125 - 9
H145553	3C14	10	50 - 27	H146318	6C7	6	120 - 21	H147415	2B13	23	30 - 3
H145554	3C14	10	50 - 27	H146318	6C7	28	120 - 21	H147457	6E4	15A	120 - 67
H145639	6C7	20	120 - 21	H146318	6C13	15	120 - 27	H147457	6E4	15B	120 - 67
H145639	6C9	12	120 - 23	H146318	6C15	5	120 - 29	H147468	6C7	24	120 - 21
H145639	6C13	2	120 - 27	H146327	3F15	13	60 - 9	H147482	5G17	22	110 - 31
H145639	6C13	6	120 - 27	H146389	6C7	6	120 - 21	H147482	5G21	19	110 - 35
H145700	4F19	2	80 - 5	H146389	6C15	5	120 - 29	H147483	6F17	1	121 - 15
H145706	6G22	22	121 - 45	H146391	3G6	22A	60 - 25	H147483	6G4	1	121 - 27
H145706	6H2	22	121 - 49	H146391	3G6	22B	60 - 25	H147484	6C5	23	120 - 19
H145773	6C2	25B	120 - 15	H146391	5E11	22A	90 - 73	H147486	4C16	8	70 - 27
H145773	7F24	34	130 - 29	H146391	5E11	22B	90 - 73	H147593	5G17	20	110 - 31
H145778	7C2	57	125 - 15	H146392	3G6	21A	60 - 25	H147593	5G21	15	110 - 35
H145778	7C4	22	125 - 17	H146392	3G6	21B	60 - 25	H147660	7D24	11	125 - 61
H145832	2C4	7	30 - 19	H146392	5E11	21A	90 - 73	H147747	6E16	3	120 - 79
H145847	3F15	1	60 - 9	H146392	5E11	21B	90 - 73	H147748	6E16	6	120 - 79
H145854	7C2	49	125 - 15	H146394	6G18	17	121 - 41	H147752	7G8	30	130 - 37
H145857	7C2	56	125 - 15	H146395	6G18	18	121 - 41	H147789	6C21	3	120 - 35
H145857	7C4	18	125 - 17	H146414	7B19	6	125 - 7	H147845	6B13	1	120 - 1
H145857	7I18	7	170 - 29	H146414	7B21	6	125 - 9	H147846	7E2	22	125 - 63
H145858	7C2	56	125 - 15	H146429	5E15	29	90 - 77	H147911	6F17	3	121 - 15
H145858	7C4	18	125 - 17	H146457	5H10	10	110 - 49	H147911	6G4	3	121 - 27
H145858	7I18	7	170 - 29	H146457	6C2	28B	120 - 15	H147967	7E10	29	125 - 71
H145880	6E22	1A	120 - 85	H146457	6H20	19	121 - 67	H148000	4F17	22	80 - 3

NUMERICAL INDEX - CONTINUED

PART NO.	GRID	KEY	PAGE	PART NO.	GRID	KEY	PAGE	PART NO.	GRID	KEY	PAGE
H148018	6B15	2	120-3	H148776	2B25	21	30-15	H149090	7H25	2	170-11
H148018	6B15	5	120-3	H148818	5F21	5	110-9	H149090	7I23	1	170-35
H148019	6B15	2	120-3	H148818	5G15	3	110-28	H149091	7I10	2	170-21
H148019	6B15	4	120-3	H148900	2F10	6	40-73	H149091	7I23	1	170-35
H148021	6B15	2	120-3	H148925	6B15	12	120-3	H149092	4C20	13	70-31
H148021	6B15	3	120-3	H148998	5G10	5	110-23	H149092	4C22	15	70-33
H148023	6B15	21	120-3	H149026	7C4	9	125-17	H149092	4C24	6	70-35
H148025	7D2	6	125-39	H149027	7C4	9	125-17	H149092	7I4	2	170-15
H148056	7G2	12	130-31	H149037	7H23	4	170-9	H149092	7I18	13	170-29
H148057	6B19	19	120-7	H149037	7I16	10	170-27	H149096	4G16	7	80-27
H148058	6B19	15	120-7	H149040	7I8	4	170-19	H149096	6I8	17	121-79
H148058	6B21	15	120-9	H149040	7I16	10	170-27	H149096	7H23	5	170-9
H148058	6B23	21	120-11	H149046	7I8	2	170-19	H149096	7I2	2	170-13
H148061	6B17	3	120-5	H149046	7I24	5	170-36	H149096	7I16	2	170-27
H148061	6B19	5	120-7	H149062	7F20	9	130-25	H149096	7I18	8	170-29
H148063	6B17	1	120-5	H149062	7H23	3	170-9	H149096	7I23	7	170-35
H148063	6B19	3	120-7	H149062	7H25	1	170-11	H149097	7I8	5	170-19
H148066	6B19	16	120-7	H149062	7I23	4	170-35	H149097	7I12	2	170-23
H148066	6B21	16	120-9	H149062	7I24	4	170-36	H149097	7I16	2	170-27
H148107	7C22	8	125-35	H149063	5G2	24	110-15	H149097	7I18	8	170-29
H148116	7G2	11	130-31	H149063	5G4	33	110-17	H149097	7I23	7	170-35
H148131	6G4	27	121-27	H149063	5G6	33	110-19	H149098	7I14	2	170-25
H148132	5F15	24	110-3	H149063	5H20	16	110-59	H149098	7I18	13	170-29
H148132	5H14	8	110-53	H149063	5H24	36	110-63	H149099	7E2	..	125-63
H148132	6F17	15	121-15	H149063	7H21	2	170-7	H149099	7H21	3	170-7
H148133	5F15	25	110-3	H149063	7I2	4	170-13	H149099	7I4	3	170-15
H148133	5H14	9	110-53	H149063	7I16	11	170-27	H149099	7I16	14	170-27
H148133	6F17	16	121-15	H149063	7I19	26	170-30	H149099	7I18	15	170-29
H148134	5F15	29	110-3	H149064	7H21	4	170-7	H149100	7I6	3	170-17
H148134	5H14	13	110-53	H149064	7I4	5	170-15	H149100	7I14	3	170-25
H148134	6F17	19	121-15	H149064	7I16	3	170-27	H149100	7I16	14	170-27
H148166	2B13	25	30-3	H149064	7I19	20	170-30	H149100	7I18	15	170-29
H148187	5H8	1	110-47	H149065	7H25	3	170-11	H149102	7B15	20	125-3
H148187	5H10	4	110-49	H149065	7I23	2	170-35	H149102	7C2	48	125-15
H148202	7D4	1A	125-41	H149066	7I2	3	170-13	H149102	7C4	17	125-17
H148241	6G16	8	121-39	H149066	7I18	2	170-29	H149102	7H21	1	170-7
H148242	6G16	8	121-39	H149067	7I4	1	170-15	H149103	7C2	48	125-15
H148270	2E13	1	40-52	H149067	7I18	14	170-29	H149103	7I6	1	170-17
H148271	2E13	6	40-52	H149068	3C3	3	50-15	H149120	2F14	7	40-77
H148286	3C11	9	50-23	H149068	5D2	3	90-37	H149121	2F14	3	40-77
H148287	3C11	9	50-23	H149068	7I2	1A	170-13	H149174	5F17	34	110-5
H148301	6C3	2	120-16	H149068	7I19	21	170-30	H149454	2B15	14	30-5
H148302	6C3	4	120-16	H149074	7I6	4	170-17	H149459	5G10	7	110-23
H148304	6C3	6	120-16	H149074	7I14	5	170-25	H149460	5G10	8	110-23
H148305	6C3	3	120-16	H149074	7I19	20	170-30	H149461	5G10	2	110-23
H148340	2F10	6	40-73	H149074	7I23	2	170-35	H149461	5G10	3	110-23
H148340	4E11	15	70-73	H149075	7I10	3	170-21	H149480	5C4	20	90-15
H148340	7H2	46	130-55	H149075	7I16	3	170-27	H149504	5F17	14	110-5
H148342	4E15	10	70-77	H149075	7I19	20	170-30	H149517	5G12	7	110-25
H148361	6D12	12	120-51	H149076	7I8	3	170-19	H149518	5G12	6	110-25
H148362	6D12	18	120-51	H149076	7I10	1	170-21	H149523	5G12	19	110-25
H148366	4C24	14	70-35	H149076	7I23	4	170-35	H149593	5F17	34	110-5
H148375	4E15	2	70-77	H149076	7I24	4	170-36	H149780	7G16	1C	130-45
H148376	4E15	1	70-77	H149077	7I6	2	170-17	H149788	2E12	9	40-51
H148376	7G8	21B	130-37	H149077	7I12	4	170-23	H149793	7G13	5	130-42
H148416	1B18	24	20-7	H149077	7I16	11	170-27	H149803	4E2	6	70-63
H148518	7G2	13	130-31	H149078	7I12	3	170-23	H149804	4D23	23	70-59
H148633	7E12	7	125-73	H149078	7I18	2	170-29	H149804	4E2	31	70-63
H148633	7E14	7	125-75	H149078	7I18	14	170-29	H149869	7G13	4	130-42
H148702	2E22	18	40-61	H149079	7I14	1	170-25	H149883	5G17	22	110-31
H148702	7G12	4A	130-41	H149079	7I18	14	170-29	H149883	5G21	19	110-35
H148702	7G12	4B	130-41	H149080	7I12	1	170-23	H149992	7B25	21	125-13
H148768	6F11	6	121-9	H149080	7I19	21	170-30	H149992	7C4	11A	125-17
H148769	6F11	21	121-9	H149088	7H23	1	170-9	H149992	7C4	11B	125-17
H148769	6F13	17	121-11	H149088	7I24	2	170-36	H149997	6D14	14	120-53
H148770	6F13	4	121-11	H149089	7I8	1	170-19	H149997	6D22	12	120-61
H148775	4D12	23	70-47	H149089	7I24	2	170-36	H149997	6E2	14	120-65

NUMERICAL INDEX - CONTINUED

PART NO.	GRID	KEY	PAGE	PART NO.	GRID	KEY	PAGE	PART NO.	GRID	KEY	PAGE
H149997	6E6	12	120 - 69	H150746	4H10	13	80 - 45	H151908	2D2	39	40 - 15
H149997	7E2	26	125 - 63	H150746	6B23	5	120 - 11	H152047	4H2	15B	80 - 37
H150034	6E4	15B	120 - 67	H150749	4G16	8	80 - 27	H152048	4G24	11B	80 - 35
H150047	5B24	10B	90 - 11	H150763	7I18	10	170 - 29	H152062	5G21	4	110 - 35
H150054	4C16	1	70 - 27	H150837	6C2	24B	120 - 15	H152086	7E2	28	125 - 63
H150054	5G2	9	110 - 15	H150909	6D4	4	120 - 43	H152135	4H10	17	80 - 45
H150054	5G4	9	110 - 17	H150910	6D4	7	120 - 43	H152146	6H8	21	121 - 55
H150054	5G6	9	110 - 19	H150911	6D4	3	120 - 43	H152165	3F17	20	60 - 11
H150055	5G2	6	110 - 15	H150920	4E17	10	70 - 79	H152166	3F17	14	60 - 11
H150055	5G4	6	110 - 17	H150922	2F14	7	40 - 77	H152174	3G8	12	60 - 27
H150062	4E2	29	70 - 63	H150922	2F16	7	40 - 79	H152174	5E13	12	90 - 75
H150091	6D6	8	120 - 45	H150923	2F14	3	40 - 77	H152180	6H8	21	121 - 55
H150092	6D6	19	120 - 45	H150923	2F14	7	40 - 77	H152317	1B20	10	20 - 9
H150099	2D14	5	40 - 27	H150923	2F16	3	40 - 79	H152464	6E18	3	120 - 81
H150100	5E15	1	90 - 77	H150923	2F18	3	40 - 81	H152464	6E18	5	120 - 81
H150117	7E23	15	130 - 3	H150926	4E17	1	70 - 79	H152465	6E18	3	120 - 81
H150119	2D16	7	40 - 29	H150929	2D2	1	40 - 15	H152465	6E18	5	120 - 81
H150119	5C21	..	90 - 32	H150943	1B23	2	20 - 12	H152602	6E16	11	120 - 79
H150128	6B19	1	120 - 7	H150951	5C14	10	90 - 25	H152616	6D16	8	120 - 55
H150128	6B21	1	120 - 9	H150980	3E14	6	50 - 79	H152617	6D16	7	120 - 55
H150130	6B21	3	120 - 9	H150980	4F2	8	70 - 89	H152916	7E23	10B	130 - 3
H150131	6B21	19	120 - 9	H150982	3E14	3	50 - 79	H153520	6D4	8	120 - 43
H150133	6B17	3	120 - 5	H150983	4F2	5	70 - 89	H153524	6H4	9	121 - 51
H150133	6B19	5	120 - 7	H151048	6B23	18	120 - 11	H153524	6H8	10	121 - 55
H150133	6B21	5	120 - 9	H151061	1B22	6	20 - 11	H153648	6D18	1	120 - 57
H150134	6B21	2	120 - 9	H151062	5E9	2	90 - 70	H153649	6D18	3	120 - 57
H150134	6B23	16	120 - 11	H151067	6B15	10	120 - 3	H153721	5F9	21	90 - 97
H150222	3D23	15	50 - 63	H151068	6B15	20	120 - 3	H153722	5F9	22	90 - 97
H150222	3E2	12	50 - 67	H151087	3C22	18	50 - 35	H153728	3H8	..	60 - 51
H150222	3E4	14	50 - 69	H151087	3C23	18	50 - 36	H153760	6D18	5	120 - 57
H150223	3D23	11	50 - 63	H151140	7I16	15	170 - 27	H154195	4F23	5	80 - 9
H150223	3E2	10	50 - 67	H151143	7I16	15	170 - 27	H154216	6E18	4	120 - 81
H150223	3E4	18	50 - 69	H151161	3B16	17B	50 - 3	H154331	5G25	22	110 - 39
H150268	6D20	18	120 - 59	H151165	5E2	10	90 - 63	H154362	4F23	3	80 - 9
H150317	4G4	9	80 - 15	H151166	5E9	1	90 - 70	H154498	1B22	3	20 - 11
H150317	4G6	9	80 - 17	H151181	7B15	6	125 - 3	H154720	3C12	15	50 - 25
H150335	5G4	30	110 - 17	H151182	7B15	1	125 - 3	H154722	3C11	10	50 - 23
H150383	3G6	15B	60 - 25	H151318	6C3	..	120 - 16	H154757	4G20	13C	80 - 31
H150383	5E11	15B	90 - 73	H151376	2C16	22	40 - 5	H154757	6D4	17	120 - 43
H150385	5E15	31	90 - 77	H151397	7F9	11	130 - 14	H154762	6D4	4	120 - 43
H150401	7B15	8	125 - 3	H151476	6B23	19	120 - 11	H154763	6D4	3	120 - 43
H150401	7B15	9	125 - 3	H151484	6C5	23	120 - 19	H154930	6D16	5	120 - 55
H150402	7B15	14	125 - 3	H151527	6B23	24	120 - 11	H154959	7E2	30	125 - 63
H150402	7B15	15	125 - 3	H151566	5G21	23	110 - 35	H154999	7I16	15	170 - 27
H150403	7B15	10	125 - 3	H151575	3H8	..	60 - 51	H155062	6H24	4	121 - 71
H150404	7B15	13	125 - 3	H151575	7I21	1	170 - 33	H155295	6I8	12	121 - 79
H150408	7B15	23	125 - 3	H151579	2G16	1	40 - 103	H155459	5F15	5	110 - 3
H150411	4E20	3	70 - 82	H151585	3E12	16	50 - 77	H155510	2C16	25	40 - 5
H150412	4E20	6	70 - 82	H151585	3E14	16	50 - 79	H155510	7H25	4	170 - 11
H150433	1C6	10	20 - 19	H151585	4F2	1	70 - 89	H155968	7E23	33B	130 - 3
H150434	5G4	34	110 - 17	H151597	6E16	4	120 - 79	H155973	6E20	7B	120 - 83
H150434	5G6	34	110 - 19	H151607	5G12	5	110 - 25	H155973	6G24	29	121 - 47
H150454	4C16	10	70 - 27	H151620	7I16	15	170 - 27	H156127	3B22	6	50 - 9
H150454	5G2	30	110 - 15	H151629	4E20	8	70 - 82	H156127	3B23	3	50 - 10
H150454	5G4	8	110 - 17	H151694	4E20	11	70 - 82	H156360	6C3	7	120 - 16
H150455	5D6	10	90 - 41	H151739	3H4	10	60 - 47	H156379	5G6	30	110 - 19
H150458	5H10	13	110 - 49	H151757	5G4	30	110 - 17	H156390	3G6	42	60 - 25
H150514	6B23	10	120 - 11	H151757	5G6	30	110 - 19	H156390	5E11	42	90 - 73
H150646	3H8	..	60 - 51	H151764	6D4	8	120 - 43	H156390	7I2	1B	170 - 13
H150646	7I21	1	170 - 33	H151897	6D12	15	120 - 51	H156513	3F17	3	60 - 11
H150662	5F17	18	110 - 5	H151908	2D2	10	40 - 15	H156514	3F17	1	60 - 11
H150681	2C16	8	40 - 5	H151908	2D2	15	40 - 15	H156717	6D14	2	120 - 53
H150682	6B23	22	120 - 11	H151908	2D2	17	40 - 15	H156717	6D16	2	120 - 55
H150692	2B25	1	30 - 15	H151908	2D2	20	40 - 15	H156718	6D14	2	120 - 53
H150692	2B25	9	30 - 15	H151908	2D2	22	40 - 15	H156718	6D16	2	120 - 55
H150716	6E16	6	120 - 79	H151908	2D2	24	40 - 15	H157014	3C14	3	50 - 27
H150717	6E16	3	120 - 79	H151908	2D2	27	40 - 15	H157036	5I2	7	110 - 65

NUMERICAL INDEX - CONTINUED

PART NO.	GRID	KEY	PAGE	PART NO.	GRID	KEY	PAGE	PART NO.	GRID	KEY	PAGE
H157109	7B15	23	125 - 3	H162056	3G8	41B	60 - 27	H165691	4B16	11	70 - 3
H157247	6I4	41	121 - 75	H162056	5E13	41B	90 - 75	H165691	5C22	4	90 - 33
H157282	6D8	17	120 - 47	H162138	1B14	46	20 - 3	H165691	5D6	3	90 - 41
H157687	6I4	9	121 - 75	H162177	5H20	23	110 - 59	H165691	5F11	13	90 - 99
H157688	6I4	36	121 - 75	H162177	5H24	27	110 - 63	H165735	3C14	10	50 - 27
H157726	6H24	10	121 - 71	H162211	5H24	20	110 - 63	H165736	3C14	10	50 - 27
H157726	6I4	19	121 - 75	H162269	5H6	31	110 - 45	H166148	4E3	3	70 - 64
H157740	6D24	4	120 - 63	H162278	5H24	25	110 - 63	H166201	3C14	11	50 - 27
H157743	6D24	5	120 - 63	H162288	5H6	30	110 - 45	H166357	2F11	2	40 - 74
H157967	6C9	2	120 - 23	H162325	5H20	2	110 - 59	H167173	5C8	1	90 - 19
H158292	2F13	6	40 - 76	H162326	5H20	7	110 - 59	H167174	5C8	1	90 - 19
H158525	5E15	21	90 - 77	H162425	5H20	14	110 - 59	H167587	7C14	20	125 - 27
H158579	2C18	3	40 - 7	H162425	5H24	23	110 - 63	H167723	3C12	7	50 - 25
H158579	5C24	3	90 - 35	H162629	6G4	25	121 - 27	H168019	7E2	42	125 - 63
H158579	5F11	11	90 - 99	H162629	6G18	3	121 - 41	H168166	3B23	1	50 - 10
H158614	4H16	2	80 - 51	H162629	7H17	6	170 - 3	H168421	2C16	4	40 - 5
H158616	4H16	12	80 - 51	H162850	5C20	11B	90 - 31	H168425	5E2	10	90 - 63
H158627	4H16	9	80 - 51	H163175	5H24	22	110 - 63	H168426	2D2	33	40 - 15
H158633	4H16	3	80 - 51	H163397	5E15	4	90 - 77	H168428	5E9	1	90 - 70
H158638	4E3	5B	70 - 64	H163397	5E17	9	90 - 79	H168431	5B22	3	90 - 9
H158642	4H14	14	80 - 49	H163409	5C20	11B	90 - 31	H168436	5D6	4	90 - 41
H158646	4H14	7	80 - 49	H163491	3H8	10	60 - 51	H168744	3B23	1	50 - 10
H158736	7E2	37	125 - 63	H163787	7G22	12	130 - 51	H168745	3B23	1	50 - 10
H158749	4F17	2	80 - 3	H163994	5H24	13	110 - 63	H168780	4B16	11	70 - 3
H158817	7G20	27	130 - 49	H164009	5H24	31	110 - 63	H168780	5C22	4	90 - 33
H158830	5E15	3B	90 - 77	H164018	5H24	40	110 - 63	H168780	5D6	3	90 - 41
H158884	3G20	1	60 - 39	H164222	5H24	10	110 - 63	H168780	5F11	13	90 - 99
H158942	4E20	10	70 - 82	H164348	2F14	7	40 - 77	H168924	2E13	2	40 - 52
H158973	5G10	4	110 - 23	H164348	2F16	7	40 - 79	H168961	3B16	14	50 - 3
H158973	6E22	1C	120 - 85	H164348	2F18	7	40 - 81	H168988	3B18	16	50 - 5
H158973	7G2	8	130 - 31	H164391	5H10	20	110 - 49	H168988	3B20	16	50 - 7
H159291	4E3	3	70 - 64	H164391	5H24	44	110 - 63	H168988	3C25	23	50 - 39
H159636	5E15	30	90 - 77	H164410	5H20	15	110 - 59	H168989	3B16	12	50 - 3
H159743	5E15	37B	90 - 77	H164452	5H22	11	110 - 61	H169344	1C7	3	20 - 20
H159806	2G25	7	40 - 113	H164494	5I2	7	110 - 65	H169344	7H23	2	170 - 9
H159956	6H24	4	121 - 71	H164508	4H12	12	80 - 47	H169344	7I24	5	170 - 36
H159975	5G8	2	110 - 21	H164537	5G2	25	110 - 15	H169509	4E20	5	70 - 82
H159975	5G12	26	110 - 25	H164537	5H20	17	110 - 59	H169712	6I4	9	121 - 75
H160187	4H18	6	80 - 53	H164537	5H24	9	110 - 63	H169793	2B13	10	30 - 3
H160249	4G22	..	80 - 33	H164605	7D4	1A	125 - 41	H169794	2B13	7	30 - 3
H160265	4F17	30	80 - 3	H164605	7D4	1B	125 - 41	H170105	7I8	2	170 - 19
H160359	1B22	3	20 - 11	H164632	2F11	1	40 - 74	H170105	7I24	5	170 - 36
H160459	7I19	27	170 - 30	H164757	2G21	6	40 - 108	H170303	2B19	2	30 - 9
H160701	7I18	17	170 - 29	H164759	2G21	4	40 - 108	H170303	2B21	2	30 - 11
H160715	7E2	28	125 - 63	H164794	3C9	20	50 - 21	H170634	2G23	9	40 - 111
H160733	4H16	8	80 - 51	H164921	3G8	42C	60 - 27	H170634	5F15	30	110 - 3
H160795	7I18	17	170 - 29	H164921	5E13	42C	90 - 75	H170634	5F17	..	110 - 5
H160880	2E8	6	40 - 47	H165247	7C2	56	125 - 15	H170634	5H14	19	110 - 53
H160978	4H18	1	80 - 53	H165247	7C4	18	125 - 17	H170634	5H14	25	110 - 53
H161021	5E15	1	90 - 77	H165247	7I18	7	170 - 29	H170967	7F14	14	130 - 19
H161091	5D6	14	90 - 41	H165252	2F12	7	40 - 75	H170967	7F14	20	130 - 19
H161228	1B22	13	20 - 11	H165317	5H10	24	110 - 49	H171006	7E2	9	125 - 63
H161228	2B25	5	30 - 15	H165317	5H24	42	110 - 63	H171061	6G16	13	121 - 39
H161289	2G18	8	40 - 105	H165318	5H10	21	110 - 49	H171061	6G22	15	121 - 45
H161289	5C16	16	90 - 27	H165318	5H24	43	110 - 63	H171061	6H6	11	121 - 53
H161289	5C18	17	90 - 29	H165320	4H14	14	80 - 49	H171061	6H18	4	121 - 65
H161294	5H18	7	110 - 57	H165508	3C9	4	50 - 21	H171061	6H22	20	121 - 69
H161295	5H18	4	110 - 57	H165510	3B23	12	50 - 10	H171061	6H24	18	121 - 71
H161296	5H18	2	110 - 57	H165585	4G4	15	80 - 15	H171061	6I2	35	121 - 73
H161529	7G22	19	130 - 51	H165585	4G6	15	80 - 17	H171061	6I4	34	121 - 75
H161529	7G24	8	130 - 53	H165587	4G4	21	80 - 15	H171061	7E8	12	125 - 69
H161549	2C16	4	40 - 5	H165587	4G6	21	80 - 17	H171061	7F16	13	130 - 21
H161648	5F23	10	110 - 11	H165662	3B23	14	50 - 10	H171318	5H20	23	110 - 59
H161648	5H22	10	110 - 61	H165663	3B23	14	50 - 10	H171318	5H24	27	110 - 63
H162048	5D6	4	90 - 41	H165664	3B23	14	50 - 10	H172177	5H20	14	110 - 59
H162055	3G8	42C	60 - 27	H165665	3C14	10	50 - 27	H172177	5H24	23	110 - 63
H162055	5E13	42C	90 - 75	H165666	3C14	10	50 - 27	H172923	3F17	20	60 - 11

NUMERICAL INDEX - CONTINUED

PART NO.	GRID	KEY	PAGE	PART NO.	GRID	KEY	PAGE	PART NO.	GRID	KEY	PAGE
H172924	3F17	14	60 - 11	H65108	7C12	4	125 - 25	H80926	5F21	2	110 - 9
H172944	5C16	11	90 - 27	H748DA	6G22	8	121 - 45	H80926	5G15	1	110 - 28
H172944	5C18	14	90 - 29	H75267	6F19	5	121 - 17	H81010	5F9	21	90 - 97
H173011	7H2	41	130 - 55	H75267	6F21	3	121 - 19	H81330	7F24	5	130 - 29
H173223	7G4	34	130 - 33	H75358	3C5	30	50 - 17	H81461	3F21	30	60 - 15
H173336	7I18	16	170 - 29	H75385	6F7	14	121 - 5	H81467	3F21	17	60 - 15
H173824	7I12	1	170 - 23	H75406	6C25	21	120 - 39	H82060	7F20	15	130 - 25
H173824	7I19	21	170 - 30	H75423	3D14	19	50 - 53	H82232	3C5	3	50 - 17
H174266	3H8	..	60 - 51	H75423	3G20	5	60 - 39	H82233	3C5	4	50 - 17
H174266	7I21	1	170 - 33	H75541	1C4	8	20 - 17	H82234	3C5	2	50 - 17
H175540	6E4	1	120 - 67	H75541	2C4	14	30 - 19	H82418	6H6	23	121 - 53
H175590	6E10	5	120 - 73	H75541	4C22	33	70 - 33	H82418	6H22	5	121 - 69
H175703	5G8	4	110 - 21	H75541	4C24	24	70 - 35	H82418	6H24	25	121 - 71
H22784	3C12	14	50 - 25	H75700	3C1	8	50 - 13	H82619	6F7	18	121 - 5
H23125	1D4	1	24 - 16	H75716	7D22	35	125 - 59	H82620	6G2	7	121 - 25
H23196	5F9	6	90 - 97	H75951	6D6	29	120 - 45	H82620	6G4	32	121 - 27
H2383H	6I2	8	121 - 73	H75951	7E23	20	130 - 3	H83055	5D13	11	90 - 49
H23950	7B23	6	125 - 11	H75952	7E23	22	130 - 3	H83089	6D2	16	120 - 41
H24553	2E20	26	40 - 59	H75985	5G17	5	110 - 31	H83285	1B18	10	20 - 7
H24907	1B22	17A	20 - 11	H75985	7E25	10	130 - 5	H83790	2G20	2	40 - 107
H25099	6H10	6	121 - 57	H76064	2D23	9	40 - 37	H83791	2G20	3	40 - 107
H25099	6H12	6	121 - 59	H76064	2E22	5	40 - 61	H83795	7C14	26	125 - 27
H25099	6H14	6	121 - 61	H76064	2E24	19	40 - 63	H84026	5G25	4	110 - 39
H25360	5F21	7	110 - 9	H76083	5G6	7	110 - 19	H84026	5G25	34	110 - 39
H26552	7E8	16	125 - 69	H76083	5G21	5	110 - 35	H84318	3D17	13	50 - 56
H27433	6I2	19	121 - 73	H76083	7E2	18	125 - 63	H84375	3G24	2	60 - 43
H27433	7H18	3	170 - 4	H76152	3B24	7	50 - 11	H84375	3H8	3	60 - 51
H28031	7H4	7	130 - 57	H76863	6E22	3A	120 - 85	H84869	5G8	7	110 - 21
H28865	5F21	8	110 - 9	H76863	6E22	4	120 - 85	H84932	7C12	16	125 - 25
H29623	7G4	18	130 - 33	H76863	6E23	2	120 - 86	H84942	5G25	18	110 - 39
H30727	4C16	3	70 - 27	H76863	7G2	8	130 - 31	H84948	5D4	16	90 - 39
H32147	7B17	4	125 - 5	H76933	7C14	28	125 - 27	H84948	5F19	16	110 - 7
H35112	4B24	4	70 - 11	H77337	5E21	9	90 - 83	H84990	7B25	34	125 - 13
H35244	1C18	24	24 - 5	H77358	5E2	11	90 - 63	H84990	7C6	2	125 - 19
H35244	1C20	14	24 - 7	H77507	2B13	8	30 - 3	H84991	7C2	43	125 - 15
H35244	1I16	1	24 - 161	H77512	6B25	3A	120 - 13	H84992	7B25	26	125 - 13
H36031	1E25	1	24 - 64	H77514	6B25	2A	120 - 13	H85015	7D22	22	125 - 59
H36031	1F2	5	24 - 67	H77698	2E20	12	40 - 59	H85184	4G20	15	80 - 31
H36155	6D2	15	120 - 41	H77698	3F23	..	60 - 17	H85184	4H10	1	80 - 45
H36221	5B18	11	90 - 5	H77698	5F9	..	90 - 97	H85184	4H12	6	80 - 47
H36221	5F9	20	90 - 97	H77698	5H6	14	110 - 45	H85184	4H14	13	80 - 49
H36256	3G8	48	60 - 27	H77698	7D10	17	125 - 47	H85184	6C23	7	120 - 37
H36256	5E13	48	90 - 75	H77739	3B16	10	50 - 3	H85184	6D4	12	120 - 43
H61355	3E16	29	50 - 81	H78340	6H20	4	121 - 67	H85184	7B25	31	125 - 13
H63271	3C16	3	50 - 29	H78340	7D10	31	125 - 47	H85233	5B20	5	90 - 7
H63271	3C17	6	50 - 30	H78354	7C12	4	125 - 25	H85233	6E12	20	120 - 75
H63271	3C20	17	50 - 33	H78557	4H10	13	80 - 45	H85482	5F15	29	110 - 3
H63271	3C22	26	50 - 35	H78856	5F15	25	110 - 3	H85482	5H14	13	110 - 53
H63271	3C23	26	50 - 36	H78856	5H14	9	110 - 53	H85482	6F17	19	121 - 15
H63271	3D2	9	50 - 41	H78856	6F17	16	121 - 15	H86108	2B19	4	30 - 9
H63288	3D3	13	50 - 42	H79910	1I18	6	24 - 163	H86108	2B21	4	30 - 11
H63289	3C22	3	50 - 35	H80197	5F15	24	110 - 3	H86161	3G20	4	60 - 39
H63289	3C23	3	50 - 36	H80197	5H14	8	110 - 53	H86760	7E3	10	125 - 64
H63289	3D3	14	50 - 42	H80197	6F17	15	121 - 15	H86783	6G24	12	121 - 47
H63289	4B20	10	70 - 7	H80228	7G22	8	130 - 51	H86896	7I24	3	170 - 36
H64374	6D2	1	120 - 41	H80306	2G21	6	40 - 108	H871R	5F17	4	110 - 5
H64374	7B23	2	125 - 11	H80440	3G17	4	60 - 36	H871R	6G10	8	121 - 33
H64375	7B23	2	125 - 11	H80753	3G8	35	60 - 27	H87206	6H4	28	121 - 51
H64375	7B23	12	125 - 11	H80753	5E13	35	90 - 75	H87268	6E12	12	120 - 75
H64376	6C2	1	120 - 15	H80796	7I18	11	170 - 29	H87691	3B22	5	50 - 9
H64376	6C11	1	120 - 25	H80821	3F9	9	60 - 3	H87691	3B23	6	50 - 10
H64376	6G6	15	121 - 29	H80821	4E5	10	70 - 67	H87765	5G8	25	110 - 21
H64376	7G4	2	130 - 33	H80821	4E7	11	70 - 69	H88769	4F23	7	80 - 9
H64584	4H8	16	80 - 43	H80821	7D16	10	125 - 53	H88769	4F23	25	80 - 9
H64584	7F22	7	130 - 27	H80896	5E21	17	90 - 83	H88773	5E15	6	90 - 77
H64612	2B13	19	30 - 3	H80896	5E23	15	90 - 85	H88773	7E23	17	130 - 3
H64813	3D2	29	50 - 41	H80896	7H17	4	170 - 3	H88783	7B17	6	125 - 5

NUMERICAL INDEX - CONTINUED

PART NO.	GRID	KEY	PAGE	PART NO.	GRID	KEY	PAGE	PART NO.	GRID	KEY	PAGE
H88800	7B25	36	125 - 13	H96652	7G8	12	130 - 37	JD10342	6C11	6	120 - 25
H88807	7B17	9	125 - 5	H96652	7G16	23	130 - 45	JD10342	6G6	6	121 - 29
H89241	4F8	3	70 - 95	H96690	5C4	23	90 - 15	JD10343	6C2	8	120 - 15
H89297	5F25	7	110 - 13	H96690	6E4	12	120 - 67	JD10343	6C11	7	120 - 25
H89515	6H10	11	121 - 57	H96869	3H6	3	60 - 49	JD10343	6G6	13	121 - 29
H89515	6H12	11	121 - 59	H97306	6G4	38	121 - 27	JD10387	7B25	8	125 - 13
H89515	6H14	12	121 - 61	H97308	5F15	15	110 - 3	JD10401	3C14	2	50 - 27
H89525	6H4	29	121 - 51	H97322	5G23	10	110 - 37	JD10462	3D6	8	50 - 45
H89544	4F17	13	80 - 3	H97322	5G23	13	110 - 37	JD37285	6F5	14	121 - 3
H89569	7F18	8	130 - 23	H97322	5G25	17	110 - 39	JD37285	6F9	3	121 - 7
H89569	7F20	8	130 - 25	H97378	5H6	5	110 - 45	JD39102	1B12	8	20 - 1
H89617	5F17	6	110 - 5	H97410	5F15	33	110 - 3	JD39102	1B14	38	20 - 3
H89853	6C2	23	120 - 15	H97410	5H14	15	110 - 53	JD39102	7E12	6	125 - 73
H91205	6C25	14	120 - 39	H97513	6G22	4	121 - 45	JD39102	7E12	12	125 - 73
H91228	7C14	12	125 - 27	H97574	7D22	19	125 - 59	JD39102	7E12	24	125 - 73
H91315	5C22	5	90 - 33	H97919	5G25	28	110 - 39	JD39102	7E14	6	125 - 75
H91788	6H10	12	121 - 57	H98111	5C4	20	90 - 15	JD39102	7E14	14	125 - 75
H91788	6H12	12	121 - 59	H98111	5C4	21	90 - 15	JD39102	7E23	5	130 - 3
H91788	6H14	13	121 - 61	H98409	5H6	15	110 - 45	JD39103	7D22	5	125 - 59
H91796	7C14	15	125 - 27	H98494	2F10	6	40 - 73	JD39103	7E10	15	125 - 71
H92260	5F15	20	110 - 3	H98655	5F25	28	110 - 13	JD39103	7E23	11	130 - 3
H92308	3C9	21	50 - 21	H987R	2D23	7	40 - 37	JD39103	7F6	4	130 - 11
H93084	5H6	13	110 - 45	H98765	2F10	1	40 - 73	JD39104	6E20	10	120 - 83
H93368	5F15	5	110 - 3	H98765	4E11	3	70 - 73	JD39104	6I2	25	121 - 73
H93399	6H8	26	121 - 55	H98765	7H2	2	130 - 55	JD39104	7G22	20	130 - 51
H93556	5G12	26	110 - 25	H98906	5F17	14	110 - 5	JD39104	7G24	9	130 - 53
H93619	2F5	2	40 - 68	H99025	7C2	43	125 - 15	JD39104	7H2	34	130 - 55
H93630	6G4	23	121 - 27	H99147	6G16	13	121 - 39	JD39109	6H4	53	121 - 51
H93631	6G4	22	121 - 27	H99147	6G22	15	121 - 45	JD5127	7I19	24	170 - 30
H93645	6G6	3	121 - 29	H99147	6H6	11	121 - 53	JD5255	7I19	24	170 - 30
H93927	5F21	17	110 - 9	H99147	6H18	4	121 - 65	JD5400	7H21	5	170 - 7
H93927	5H14	27	110 - 53	H99147	6H22	20	121 - 69	JD5400	7I6	5	170 - 17
H94167	6D2	24	120 - 41	H99147	6H24	18	121 - 71	JD5400	7I23	8	170 - 35
H94386	6G14	13	121 - 37	H99147	6I2	35	121 - 73	JD5401	7H21	5	170 - 7
H94386	6H6	24	121 - 53	H99147	6I4	34	121 - 75	JD5401	7I6	5	170 - 17
H94946	3G20	1	60 - 39	H99147	7E8	12	125 - 69	JD5401	7I23	8	170 - 35
H94950	3H6	17	60 - 49	H99147	7F16	13	130 - 21	JD5592	7I23	5	170 - 35
H94951	3H6	8	60 - 49	H99149	6C2	3	120 - 15	JD7126	7G22	11	130 - 51
H94951	3H6	19	60 - 49	H99149	6C11	3	120 - 25	JD7292	6F19	11	121 - 17
H95042	4C16	8	70 - 27	H99149	6G6	12	121 - 29	JD7292	6F21	11	121 - 19
H95236	7I24	5	170 - 36	H99264	3F17	19	60 - 11	JD7298	3C12	10	50 - 25
H95273	7I24	3	170 - 36	H99294	3G8	46	60 - 27	JD7378	6F19	10	121 - 17
H95368	3B16	19	50 - 3	H99294	5E13	46	90 - 75	JD7378	6F21	10	121 - 19
H95417	5F15	32	110 - 3	H99303	5G19	10	110 - 33	JD7395	6F23	11	121 - 21
H95417	5H14	16	110 - 53	H99600	4F25	6	80 - 11	JD7395	6F25	11	121 - 23
H95499	5F25	17	110 - 13	H99613	7G13	2	130 - 42	JD7418	6F23	10	121 - 21
H95547	3H8	5	60 - 51	H99613	7G13	3	130 - 42	JD7418	6F25	10	121 - 23
H95902	3F17	18	60 - 11	H99897	2B13	2	30 - 3	JD7425	3C9	9	50 - 21
H96148	7G13	4	130 - 42	H99923	3G17	4	60 - 36	JD7441	6G10	29	121 - 33
H96149	7G4	7	130 - 33	H99923	5D8	20	90 - 43	JD7448	3D6	9	50 - 45
H96169	7G4	1	130 - 33	H99923	5E8	16	90 - 69	JD7502	3C9	3	50 - 21
H96226	6G18	14	121 - 41	H99923	6C2	18	120 - 15	JD7681	7F14	13	130 - 19
H96227	6G18	12	121 - 41	H99923	6C2	28A	120 - 15	JD7686	6G24	22	121 - 47
H96228	7G8	3	130 - 37	H99923	7G20	10	130 - 49	JD7689	7F14	11	130 - 19
H96228	7G13	13	130 - 42	JD10010	5F17	15	110 - 5	JD7759	1B20	17	20 - 9
H96232	6G18	13	121 - 41	JD10011	5F17	21	110 - 5	JD7759	3G20	6	60 - 39
H96267	7G4	6	130 - 33	JD10011	6H2	2	121 - 49	JD7759	3H6	18	60 - 49
H96294	7G4	14	130 - 33	JD10017	6G4	14	121 - 27	JD7759	5F15	13	110 - 3
H96297	7G4	13	130 - 33	JD10018	5H6	4	110 - 45	JD7759	5H6	10	110 - 45
H96298	7G4	13	130 - 33	JD10020	5G17	20	110 - 31	JD7759	6C2	11	120 - 15
H96345	7G13	8	130 - 42	JD10020	5G21	14	110 - 35	JD7759	6C11	10	120 - 25
H96346	7G13	5	130 - 42	JD10032	6G10	45	121 - 33	JD7759	6C21	23	120 - 35
H96391	5D13	7	90 - 49	JD10182	3C5	24	50 - 17	JD7759	6E16	14	120 - 79
H96455	5E4	23	90 - 65	JD10214	6G10	30	121 - 33	JD7759	6E18	7	120 - 81
H96455	5E6	2	90 - 67	JD10266	3C12	11	50 - 25	JD7759	6G6	9	121 - 29
H96645	7G18	16	130 - 47	JD10312	6H20	9	121 - 67	JD7759	6G16	1	121 - 39
H96645	7G20	17	130 - 49	JD10342	6C2	7	120 - 15	JD7759	6G18	4	121 - 41

NUMERICAL INDEX - CONTINUED

PART NO.	GRID	KEY	PAGE	PART NO.	GRID	KEY	PAGE	PART NO.	GRID	KEY	PAGE
JD7759	6G18	5	121 - 41	JD8210	6F19	8	121 - 17	JD9313	7D22	11	125 - 59
JD7759	6H8	5	121 - 55	JD8210	6F21	6	121 - 19	JD9313	7E3	6	125 - 64
JD7759	7F9	9	130 - 14	JD8222	3C14	1	50 - 27	JD9356	5H12	7	110 - 51
JD7759	7G4	19	130 - 33	JD8223	3C7	19	50 - 19	JD9373	5G17	17	110 - 31
JD7759	7G8	29	130 - 37	JD8237	3C5	23	50 - 17	JD9373	5G17	20	110 - 31
JD7760	3C11	4	50 - 23	JD8237	3H6	13	60 - 49	JD9373	5G21	20	110 - 35
JD7760	5H16	3	110 - 55	JD8237	3H6	19	60 - 49	JD9373	7G20	4	130 - 49
JD7763	7G4	19	130 - 33	JD8239	6G10	3	121 - 33	JD9395	2F4	16	40 - 67
JD7778	7G4	19	130 - 33	JD8255	6F23	2	121 - 21	JD9434	6C21	16	120 - 35
JD7788	1B20	17	20 - 9	JD8255	6F25	2	121 - 23	JD9442	7C14	17	125 - 27
JD7788	3G21	9	60 - 40	JD8257	3C5	5	50 - 17	JD9449	2F4	16	40 - 67
JD7788	3G22	13	60 - 41	JD8258	3H6	11	60 - 49	JD9490	6D6	6	120 - 45
JD7788	3G23	13	60 - 42	JD8258	3H6	19	60 - 49	JD9849	3D6	2	50 - 45
JD7788	6C21	29	120 - 35	JD8267	3C7	5	50 - 19	J16931	1B14	21	20 - 3
JD7788	6D6	2	120 - 45	JD8524	7G4	8	130 - 33	J16931	1B20	22	20 - 9
JD7788	6G18	6	121 - 41	JD8551	5G25	27	110 - 39	J16931	4E11	13	70 - 73
JD7788	6H20	18	121 - 67	JD8552	5G25	29	110 - 39	J16931	4G12	7	80 - 23
JD7788	7G6	4	130 - 35	JD8554	6C25	20	120 - 39	J16931	7C2	59	125 - 15
JD7797	1B20	17	20 - 9	JD8554	7C14	11	125 - 27	J16931	7E10	5	125 - 71
JD7797	3G17	3	60 - 36	JD8554	7C16	17	125 - 29	J16931	7G4	36	130 - 33
JD7797	3G21	1	60 - 40	JD8554	7G18	13	130 - 47	J16931	7H2	40	130 - 55
JD7797	3G22	1	60 - 41	JD8554	7G20	13	130 - 49	J18468	7G18	18	130 - 47
JD7797	3G23	1	60 - 42	JD8563	7C14	18	125 - 27	J18468	7G20	23	130 - 49
JD7797	6F7	3	121 - 5	JD8576	5H12	8	110 - 51	J21022	7D22	15	125 - 59
JD7797	6F17	8	121 - 15	JD8576	7B25	11	125 - 13	J2375M	4C20	1	70 - 31
JD7797	6G2	5	121 - 25	JD8576	7C6	10	125 - 19	J2375M	4C22	3	70 - 33
JD7797	6G10	25	121 - 33	JD8643	1G19	2	24 - 111	J2375M	4C24	3	70 - 35
JD7797	6H4	38	121 - 51	JD8643	1G20	5	24 - 112	K40001	4C20	25	70 - 31
JD7797	6I2	26	121 - 73	JD8665	6D2	11	120 - 41	K40001	4C22	29	70 - 33
JD7797	6I4	25	121 - 75	JD8665	7C14	7	125 - 27	K40001	4C24	21	70 - 35
JD7797	7D22	20	125 - 59	JD8665	7G18	15	130 - 47	K40003	7G18	5	130 - 47
JD7797	7G6	6	130 - 35	JD8665	7G20	16	130 - 49	K40003	7G20	10	130 - 49
JD7797	7G13	14	130 - 42	JD8668	6G4	16	121 - 27	K40994	4D14	15	70 - 49
JD7797	7H2	25	130 - 55	JD8669	6G4	14	121 - 27	L1526N	7F4	5	130 - 9
JD7798	6G4	26	121 - 27	JD8676	6F11	17	121 - 9	L1730N	5F25	3	110 - 13
JD7799	3D14	11	50 - 53	JD8819	5F17	9	110 - 5	L1880N	2D23	2	40 - 37
JD7806	3G21	9	60 - 40	JD8902	3H6	14	60 - 49	L24517	4C2	7	70 - 13
JD7806	3G22	13	60 - 41	JD8952	3H6	10	60 - 49	L29041	6F5	3	121 - 3
JD7806	3G23	13	60 - 42	JD8960	6G10	4	121 - 33	L29042	6F5	3	121 - 3
JD7806	6G18	6	121 - 41	JD8979	3C7	6	50 - 19	L29043	6F5	3	121 - 3
JD7806	7G8	2	130 - 37	JD9007	6F13	12	121 - 11	L29044	6F5	3	121 - 3
JD7839	6G16	10	121 - 39	JD9007	6F15	4	121 - 13	L33993	2F8	1	40 - 71
JD7842	5H16	12	110 - 55	JD9043	3D10	5	50 - 49	L3483N	7D10	23	125 - 47
JD7844	7C6	5	125 - 19	JD9075	6F15	12	121 - 13	L36230	4E17	19	70 - 79
JD7845	6C2	9	120 - 15	JD9076	3C20	9	50 - 33	L38138	2D6	5	40 - 19
JD7845	6C11	8	120 - 25	JD9078	6F23	1	121 - 21	L38138	2D8	5	40 - 21
JD7845	6C21	19	120 - 35	JD9078	6F25	1	121 - 23	L4276N	6I2	19	121 - 73
JD7845	6G6	11	121 - 29	JD9091	6F5	1	121 - 3	L4276N	7H18	3	170 - 4
JD7845	7E16	1	125 - 77	JD9092	3C12	4	50 - 25	M1112T	1G9	17	24 - 101
JD7845	7E18	3	125 - 79	JD9109	3D10	4	50 - 49	M111701	1B14	20	20 - 3
JD7845	7H6	4	130 - 59	JD9113	3C16	4	50 - 29	M112271	7G4	35	130 - 33
JD7846	6H4	5	121 - 51	JD9113	3D2	28	50 - 41	M112639	7C22	15	125 - 35
JD7846	6H8	15	121 - 55	JD9132	6F15	13	121 - 13	M114270	1F20	27	24 - 85
JD7846	7B25	10	125 - 13	JD9133	3C20	9	50 - 33	M121T	2G14	5	40 - 101
JD7847	3D6	14	50 - 45	JD9146	6F5	2	121 - 3	M15973	7C14	20	125 - 27
JD7847	3D14	11	50 - 53	JD9147	3C12	5	50 - 25	M1746T	1E21	10	24 - 60
JD8147	3C9	8	50 - 21	JD9201	5F21	15	110 - 9	M1746T	1E22	9	24 - 61
JD8162	6F5	14	121 - 3	JD9201	5H14	26	110 - 53	M1746T	1E24	6	24 - 63
JD8162	6F9	3	121 - 7	JD9201	6C21	14	120 - 35	M2300T	6D2	6	120 - 41
JD8162	6F13	5	121 - 11	JD9202	5F21	19	110 - 9	M2300T	7C14	14	125 - 27
JD8164	6F19	7	121 - 17	JD9202	5H14	28	110 - 53	M2353T	6G16	15	121 - 39
JD8164	6F21	7	121 - 19	JD9219	7F10	5	130 - 15	M2952DN	5F25	3	110 - 13
JD8182	3C7	18	50 - 19	JD9219	7F12	5	130 - 17	M3853T	1E18	5	24 - 56
JD8206	6F5	15	121 - 3	JD9239	1B20	1	20 - 9	M41029	3C5	35	50 - 17
JD8206	6F9	2	121 - 7	JD9273	6D2	4	120 - 41	M41029	4E7	2	70 - 69
JD8206	6F13	6	121 - 11	JD9273	7C16	16	125 - 29	M41029	7D16	2	125 - 53
JD8206	6F15	2	121 - 13	JD9301	5H12	4	110 - 51	M43518	3C20	31	50 - 33

1L10

9400 MAXIMIZER COMBINE

NUMERICAL INDEX - CONTINUED

PART NO.	GRID	KEY	PAGE	PART NO.	GRID	KEY	PAGE	PART NO.	GRID	KEY	PAGE
M43551	1H15	12A	24 - 133	M93425	4G20	19	80 - 31	N191174	3C16	24	50 - 29
M43551	1H21	12A	24 - 139	M93425	4H14	4	80 - 49	N191174	3D2	42	50 - 41
M43649	3F15	23	60 - 9	M93425	5G2	29	110 - 15	N195027	6H2	9	121 - 49
M43835	2E2	10	40 - 41	M93425	5G4	29	110 - 17	N196034	3C16	21	50 - 29
M43835	2G2	2	40 - 89	M93425	5G6	29	110 - 19	N196034	3D2	40	50 - 41
M44269	6C17	3	120 - 31	M95728	7C16	11	125 - 29	N197422	3C9	13	50 - 21
M45123	6G12	3	121 - 35	N102039	3B24	9	50 - 11	N199920	3C1	2A	50 - 13
M47566	6C19	10	120 - 33	N10213	2D21	9	40 - 35	N199920	3C1	2B	50 - 13
M48000	3C20	2	50 - 33	N10215	1D5	3	24 - 17	N205021	4D9	5	70 - 44
M48000	3C25	15	50 - 39	N10215	1G19	15	24 - 111	N205022	4D9	10	70 - 44
M48109	2D12	1	40 - 25	N10215	1G20	15	24 - 112	N209312	4D9	5	70 - 44
M48869	4E5	23	70 - 67	N10215	1H13	6	24 - 131	N232713	4C20	24	70 - 31
M48869	4E7	4	70 - 69	N10215	1H15	22	24 - 133	N232713	4C22	28	70 - 33
M48869	7D16	4	125 - 53	N10215	1H21	22	24 - 139	N232713	4C24	20	70 - 35
M63431	1G3	1	24 - 94	N10215	1I11	9	24 - 154	N276474	3C11	9	50 - 23
M63707	3D19	13	50 - 58	N10215	5D8	6	90 - 43	N276475	3C11	9	50 - 23
M63707	3F7	13	60 - 1	N10215	5E8	11	90 - 69	N31772	3D19	8	50 - 58
M63707	4F9	13	70 - 96	N10217	3G10	13	60 - 29	N31772	3F7	8	60 - 1
M63707	6G8	9	121 - 31	N10217	3G12	8	60 - 31	N31772	4F9	8	70 - 96
M63707	6G10	17	121 - 33	N10217	4B18	4	70 - 5	N34986	4E7	12	70 - 69
M63707	6G12	11	121 - 35	N10217	4C2	16	70 - 13	N52258	6D6	7	120 - 45
M66044	2E24	21	40 - 63	N10217	4C6	10	70 - 17	N60415	6I2	38	121 - 73
M66125	7E12	12	125 - 73	N10217	4C8	6	70 - 19	N61654	6G14	3	121 - 37
M66125	7E12	23	125 - 73	N10217	4C10	15	70 - 21	N61654	6H18	13	121 - 65
M68701	2D23	5	40 - 37	N109389	7E23	12	130 - 3	N61703	5E21	11	90 - 83
M68701	4G24	10	80 - 35	N110085	7D22	29	125 - 59	N61709	7D4	1A	125 - 41
M68701	4H2	14	80 - 37	N110085	7E8	7	125 - 69	N61709	7D4	5	125 - 41
M71184	2D6	7	40 - 19	N110085	7H17	8	170 - 3	N61709	7F24	40	130 - 29
M71184	2D6	8	40 - 19	N110219	6H24	9	121 - 71	N71921	7G4	4	130 - 33
M71184	2D8	7	40 - 21	N110219	6I4	37	121 - 75	N71922	5F17	20	110 - 5
M71184	2D8	8	40 - 21	N115096	2G2	11	40 - 89	N72989	7G13	12	130 - 42
M71442	2D6	5	40 - 19	N117501	6H2	13	121 - 49	N72989	7G18	1	130 - 47
M71442	2D6	7	40 - 19	N12405	5E4	5	90 - 65	N72989	7G20	1	130 - 49
M71442	2D6	8	40 - 19	N126581	3C20	18	50 - 33	PF10026	7F20	16	130 - 25
M71442	2D8	5	40 - 21	N126584	3C20	18	50 - 33	PF80112	7F2	12	130 - 7
M71442	2D8	7	40 - 21	N126585	3C16	6	50 - 29	PF80113	7F2	13	130 - 7
M71442	2D8	8	40 - 21	N126586	3C25	13	50 - 39	PM797NA	2G4	57	40 - 91
M71770	4E2	16	70 - 63	N126588	3D3	9	50 - 42	PM797NA	2G6	40	40 - 93
M72598	4G20	2	80 - 31	N126599	3C20	7	50 - 33	PM9000	2D4	20	40 - 17
M72598	4H10	7	80 - 45	N126599	3C21	4	50 - 34	PM9200	2D4	20	40 - 17
M72598	5G2	19	110 - 15	N126600	3C20	10	50 - 33	PT2314	2D25	4	40 - 39
M72598	5G4	19	110 - 17	N126600	3C21	1	50 - 34	P43363	6I2	22	121 - 73
M72598	5G6	19	110 - 19	N126601	3C22	7	50 - 35	P43363	6I4	21	121 - 75
M72598	5G10	6	110 - 23	N126601	3C23	7	50 - 36	P43969	3C5	25	50 - 17
M72598	6D4	10	120 - 43	N126602	3C20	27	50 - 33	P44439	7C14	6	125 - 27
M72598	6D10	8	120 - 49	N126603	3C20	1	50 - 33	P44478	7H2	39	130 - 55
M72598	7D4	3	125 - 41	N126609	3C20	6	50 - 33	P45458	5E23	7	90 - 85
M73000	5F21	11	110 - 9	N126609	3C21	2	50 - 34	P45750	4C2	7	70 - 13
M73000	5H14	22	110 - 53	N126612	3C16	22	50 - 29	P45750	4E20	2	70 - 82
M73346	6H2	13	121 - 49	N126612	3D2	37	50 - 41	P46369	3C11	10	50 - 23
M78494	2C6	3	30 - 21	N126638	3C22	2	50 - 35	P46402	6G14	8	121 - 37
M80082	2D12	1	40 - 25	N126638	3C23	2	50 - 36	P46402	6G22	12	121 - 45
M80082	7E2	39	125 - 63	N126641	3C25	10	50 - 39	P46402	6H6	8	121 - 53
M80082	7F2	..	130 - 7	N126654	3D3	4	50 - 42	P46402	6H18	1	121 - 65
M82321	2D12	1	40 - 25	N12679	3F23	26	60 - 17	P46402	6H22	17	121 - 69
M84309	6E12	14	120 - 75	N128541	3D3	5	50 - 42	P46402	6H24	15	121 - 71
M84309	7F24	32	130 - 29	N130510	3D3	8	50 - 42	P46402	7E8	9	125 - 69
M84309	7H4	2	130 - 57	N134803	6E20	7B	120 - 83	P46402	7F16	11	130 - 21
M84971	1B22	11	20 - 11	N134803	6G24	27B	121 - 47	P46770	6F5	4	121 - 3
M84972	7F18	6	130 - 23	N134803	6G24	28B	121 - 47	P46874	5H12	5	110 - 51
M84972	7F20	6	130 - 25	N139123	6F23	13	121 - 21	P46874	5H22	5	110 - 61
M86436	2E2	1	40 - 41	N139123	6F25	13	121 - 23	P46874	7F14	10	130 - 19
M86436	2E2	2	40 - 41	N14820	6H10	8	121 - 57	P47159	4F17	17	80 - 3
M86958	6H2	13	121 - 49	N14820	6H12	8	121 - 59	P47885	7B23	6	125 - 11
M87733	1G8	2	24 - 100	N15764	7F10	4	130 - 15	P48067	7B25	36	125 - 13
M87733	1G18	7	24 - 110	N15764	7F12	4	130 - 17	P48347	3C22	17	50 - 35
M88436	5C10	18	90 - 21	N189220	7G20	29	130 - 49	P48347	4D9	4	70 - 44

NUMERICAL INDEX - CONTINUED

PART NO.	GRID	KEY	PAGE	PART NO.	GRID	KEY	PAGE	PART NO.	GRID	KEY	PAGE
P48691	6G4	28	121 - 27	RE12363	2G12	2	40 - 99	RE24959	1118	9	24 - 163
P48925	5D15	2	90 - 51	RE12363	4B16	13	70 - 3	RE25431	1F8	10	24 - 73
P50273	6H22	11	121 - 69	RE12363	4F8	15	70 - 95	RE25431	1F8	11	24 - 73
P50456	5F15	23	110 - 3	RE12364	2E4	22	40 - 43	RE25519	1D16	24	24 - 28
P50456	5H14	7	110 - 53	RE12364	2F24	16	40 - 87	RE25525	1D24	1	24 - 37
P50456	6F17	14	121 - 15	RE12365	2E4	24	40 - 43	RE25912	1H25	4	24 - 143
P51212	4D12	23	70 - 47	RE12365	2F24	20	40 - 87	RE25952	1G13	4	24 - 105
P51212	5E19	3	90 - 81	RE12366	2E22	25	40 - 61	RE26151	1116	3	24 - 161
P51212	5E21	1	90 - 83	RE12366	2F24	25	40 - 87	RE26205	1C21	2	24 - 8
P51212	5E23	1	90 - 85	RE12366	2G23	1	40 - 111	RE26205	1C21	9	24 - 8
P5403H	6C11	15	120 - 25	RE12513	5E21	18	90 - 83	RE26344	1G7	2	24 - 99
P5403H	6C15	..	120 - 29	RE12513	5E24	16	90 - 86	RE26409	1G7	2	24 - 99
RE10973	5F3	5	90 - 91	RE13541	5D8	24	90 - 43	RE26409	1G8	3	24 - 100
RE10976	5E24	..	90 - 86	RE13571	1C20	10	24 - 7	RE27667	1H18	4	24 - 136
RE10976	5F1	1	90 - 88	RE13731	111	1	24 - 144	RE27837	3D12	5	50 - 51
RE10977	5F3	6	90 - 91	RE13732	113	23	24 - 146	RE29650	1F16	14	24 - 81
RE10978	5F3	3	90 - 91	RE13732	113	25	24 - 146	RE29651	1F16	15	24 - 81
RE10979	5F3	1	90 - 91	RE13733	113	11	24 - 146	RE29652	1F16	7	24 - 81
RE10980	5E24	4	90 - 86	RE13733	113	22	24 - 146	RE29653	1F16	10	24 - 81
RE10981	5E24	1	90 - 86	RE15058	113	12	24 - 146	RE30433	1118	4	24 - 163
RE10982	5E24	2	90 - 86	RE15490	1E19	17	24 - 58	RE30685	1D5	18	24 - 17
RE11137	1D16	24	24 - 28	RE15674	1D8	6	24 - 20	RE31089	1H6	10	24 - 123
RE11154	2G4	57	40 - 91	RE15674	1D10	1	24 - 22	RE31286	1H8	10	24 - 125
RE11154	2G6	40	40 - 93	RE16149	1D13	5	24 - 25	RE31323	1F8	4	24 - 73
RE11156	2G4	36	40 - 91	RE16149	1D15	5	24 - 27	RE31617	1F8	14	24 - 73
RE11157	2G4	37	40 - 91	RE16494	1D8	3	24 - 20	RE31617	1F10	13	24 - 75
RE11157	2G16	15	40 - 103	RE19031	1C25	6A	24 - 12	RE31617	1120	11	24 - 165
RE11410	1F4	5	24 - 69	RE19268	1G13	3	24 - 105	RE31656	1D20	3	24 - 33
RE11410	1F6	5	24 - 71	RE19268	1G13	13	24 - 105	RE31701	3D6	6	50 - 45
RE12049	5D8	..	90 - 43	RE19278	1D8	7	24 - 20	RE31929	1H4	9	24 - 121
RE12180	2E18	9	40 - 57	RE19714	1F16	5A	24 - 81	RE31973	1C25	6A	24 - 12
RE12325	3G21	10	60 - 40	RE19797	1F16	9	24 - 81	RE32011	1F13	..	24 - 78
RE12325	3G22	14	60 - 41	RE19797	1F18	9	24 - 83	RE32011	1F16	..	24 - 81
RE12325	3G23	14	60 - 42	RE19797	1F20	7	24 - 85	RE32011	1120	13	24 - 165
RE12326	3G21	5	60 - 40	RE19797	1F20	8	24 - 85	RE32824	3D6	10	50 - 45
RE12326	3G22	5	60 - 41	RE19797	1F20	28	24 - 85	RE32856	1E24	1A	24 - 63
RE12326	3G23	5	60 - 42	RE19797	1F23	5	24 - 89	RE32856	1E24	10	24 - 63
RE12330	2F24	14	40 - 87	RE19797	1F25	5	24 - 91	RE32856	1E24	11	24 - 63
RE12331	2F24	12	40 - 87	RE19798	1F20	28	24 - 85	RE32973	1F16	28	24 - 81
RE12332	2F24	18	40 - 87	RE19799	1F20	18	24 - 85	RE33003	1E18	14	24 - 56
RE12333	2F24	21	40 - 87	RE19799	1F23	19	24 - 89	RE33058	1G13	3	24 - 105
RE12334	2F24	8	40 - 87	RE19799	1F25	19	24 - 91	RE33058	1G13	13	24 - 105
RE12362	2C14	11	40 - 3	RE19800	1F16	18	24 - 81	RE33058	1G15	12	24 - 107
RE12362	2E22	22	40 - 61	RE19800	1F18	18	24 - 83	RE33058	1G15	13	24 - 107
RE12362	2F24	4	40 - 87	RE19800	1F20	19	24 - 85	RE33058	1G17	12	24 - 109
RE12362	2G12	6	40 - 99	RE19800	1F23	20	24 - 89	RE33115	1D8	7	24 - 20
RE12363	2C14	12	40 - 3	RE19800	1F25	20	24 - 91	RE33115	1D8	10	24 - 20
RE12363	2C24	2	40 - 13	RE20901	1F16	17	24 - 81	RE33336	3D4	1	50 - 43
RE12363	2D8	11	40 - 21	RE20901	1F18	17	24 - 83	RE33337	3D4	1	50 - 43
RE12363	2D25	17	40 - 39	RE21421	1F16	11	24 - 81	RE33636	2B19	8	30 - 9
RE12363	2E2	4	40 - 41	RE21422	1F16	13	24 - 81	RE33636	2B21	8	30 - 11
RE12363	2E2	11	40 - 41	RE21790	1J4	3	24 - 174	RE33687	(MAR)1116	5	24 - 161
RE12363	2E4	1	40 - 43	RE21790	1J5	3	24 - 175	RE35161	5B24	1	90 - 11
RE12363	2E4	14	40 - 43	RE21790	1J6	3	24 - 176	RE35685	1E18	17	24 - 56
RE12363	2E4	16	40 - 43	RE21790	2B19	5	30 - 9	RE35992	1C15	3	24 - 2
RE12363	2E4	21	40 - 43	RE21790	2B21	5	30 - 11	RE36096	1G4	3	24 - 95
RE12363	2E6	13	40 - 45	RE22266	1G9	3	24 - 101	RE36259	2B23	2	30 - 13
RE12363	2E8	7	40 - 47	RE22642	3D6	16	50 - 45	RE36259	2B25	2	30 - 15
RE12363	2E8	20	40 - 47	RE23182	1C15	2	24 - 2	RE36340	1G19	11	24 - 111
RE12363	2E10	10	40 - 49	RE23900	1H23	3	24 - 141	RE36340	1G19	23	24 - 111
RE12363	2E12	16	40 - 51	RE23900	1H24	1	24 - 142	RE37039	1B22	13	20 - 11
RE12363	2E22	23	40 - 61	RE23900	2E20	8	40 - 59	RE37089	1G3	12	24 - 94
RE12363	2E24	17	40 - 63	RE24185	1H13	3	24 - 131	RE37089	1G3	13	24 - 94
RE12363	2E24	23	40 - 63	RE24307	2E18	6	40 - 57	RE37091	1G3	2	24 - 94
RE12363	2F10	8	40 - 73	RE24307	5E21	5	90 - 83	RE37091	1G3	3	24 - 94
RE12363	2F24	11	40 - 87	RE24307	5E23	5	90 - 85	RE37091	1G3	13	24 - 94
RE12363	2G10	3	40 - 97	RE24959	1C16	1	24 - 3	RE37503	1F13	6	24 - 78

NUMERICAL INDEX - CONTINUED

PART NO.	GRID	KEY	PAGE	PART NO.	GRID	KEY	PAGE	PART NO.	GRID	KEY	PAGE
RE37539	1G7	2	24 - 99	RE44574	1C16	1	24 - 3	RE500737	1G21	14	24 - 113
RE37626	5F17	17	110 - 5	RE44574	1C18	1	24 - 5	RE500737	1G21	16	24 - 113
RE37651	2G16	16	40 - 103	RE44574	1C20	12	24 - 7	RE500895	1I16	5	24 - 161
RE38065	1E22	2	24 - 61	RE44574	1D24	1	24 - 37	RE500950	1C16	5	24 - 3
RE38065	1E24	1A	24 - 63	RE44574	1I18	9	24 - 163	RE500950	1C22	1	24 - 9
RE38463	1F16	34	24 - 81	RE44574	1I19	6	24 - 164	RE501363	1E19	3A	24 - 58
RE38463	1F18	32	24 - 83	RE44574	1J2	18	24 - 171	RE501363	1E19	3B	24 - 58
RE38463	1F20	35	24 - 85	RE44667	1F20	29	24 - 85	RE501363	1E19	19	24 - 58
RE38556	1I24	33	24 - 169	RE45329	1I4	2	24 - 147	RE501363	1E19	20	24 - 58
RE38852	1I20	13	24 - 165	RE45348	1H15	8B	24 - 133	RE501377	1E10	5	24 - 47
RE38858	1D24	1	24 - 37	RE45348	1H18	2	24 - 136	RE501456	1J2	33	24 - 171
RE38858	1I22	30	24 - 167	RE45348	1H21	8B	24 - 139	RE501569	1I24	33	24 - 169
RE39064	1H23	3	24 - 141	RE45420	1G13	4	24 - 105	RE501580	1E2	1	24 - 39
RE39064	1H24	1	24 - 142	RE45420	1G15	3	24 - 107	RE501580	1I22	30	24 - 167
RE39064	1I3	8	24 - 146	RE45421	1G17	17	24 - 109	RE501938	1D7	3A	24 - 19
RE39131	3D8	6	50 - 47	RE45517	1I16	5	24 - 161	RE501938	1D7	3B	24 - 19
RE39243	1I8	9	24 - 151	RE45517 (MAR)	1I16	5	24 - 161	RE50211	1E19	3A	24 - 58
RE39245	1I8	10	24 - 151	RE46657	5E23	16	90 - 85	RE502191	1C20	1	24 - 7
RE39247	1I8	14	24 - 151	RE46657	5F4	..	90 - 92	RE502239	1G18	9	24 - 110
RE39249	1I8	3	24 - 151	RE46684	1H2	4	24 - 119	RE502269	1E20	6	24 - 59
RE39250	1I8	11	24 - 151	RE46685	1E4	28	24 - 41	RE502987	1D4	6	24 - 16
RE39251	1I8	1	24 - 151	RE46685	1E24	9	24 - 63	RE503092	1F18	1	24 - 83
RE40048	2C2	4	30 - 17	RE46685	1G21	10	24 - 113	RE503092	1F20	1	24 - 85
RE40280	1G9	10	24 - 101	RE46685	1H10	6	24 - 127	RE503092	1F23	13	24 - 89
RE40373	1G13	4	24 - 105	RE46686	1H10	7	24 - 127	RE503609	1E10	6	24 - 47
RE40373	1G15	3	24 - 107	RE46716	1E17	2	24 - 55	RE504122	1C4	2	20 - 17
RE40374	1G17	17	24 - 109	RE47867	1C20	11	24 - 7	RE504122	1C4	3	20 - 17
RE40383	1F20	15	24 - 85	RE48284	5E15	34	90 - 77	RE504122	1C4	7	20 - 17
RE40384	1F20	12	24 - 85	RE48310	2B21	11	30 - 11	RE50657	1D16	24	24 - 28
RE40385	1F20	13	24 - 85	RE48310	2E20	18	40 - 59	RE50657	1D18	24	24 - 31
RE40386	1F20	9	24 - 85	RE48321	2B21	11	30 - 11	RE50677	1D20	3	24 - 33
RE40387	1F20	10	24 - 85	RE48392	1F16	28	24 - 81	RE50677	1D22	24	24 - 35
RE41880	1H23	3	24 - 141	RE48393	1F18	28	24 - 83	RE50686	1D24	1	24 - 37
RE41880	1H24	1	24 - 142	RE48395	1D9	4	24 - 21	RE50686	1E2	1	24 - 39
RE41880	1I1	17	24 - 144	RE48395	1D10	4	24 - 22	RE50752	1H17	9	24 - 135
RE41991	2C4	1	30 - 19	RE48510	1D10	6	24 - 22	RE50770	1D11	3	24 - 23
RE41991	2C4	13	30 - 19	RE48513	1D24	1	24 - 37	RE50783	1E8	1	24 - 45
RE41991	5E15	27	90 - 77	RE48533	1I20	13	24 - 165	RE51052	5F4	2	90 - 92
RE42211	1H18	4	24 - 136	RE48786	1F14	6	24 - 79	RE51497	1E19	18	24 - 58
RE42211	1H19	5	24 - 137	RE48786	1F14	8	24 - 79	RE51649	1H17	1	24 - 135
RE42733	1D8	3	24 - 20	RE48786	1F14	10	24 - 79	RE52179	1E15	7	24 - 52
RE42739	1G7	2	24 - 99	RE48786	1F21	8	24 - 87	RE52326	1E10	4A	24 - 47
RE42739	1G17	2	24 - 109	RE48786	1F21	10	24 - 87	RE52454	5F4	1	90 - 92
RE42740	1G7	2	24 - 99	RE48818	1D8	6	24 - 20	RE52506	5E25	1	90 - 87
RE42740	1G17	1	24 - 109	RE48818	1D9	1	24 - 21	RE52506	5F5	1	90 - 93
RE42777	1I8	6	24 - 151	RE48818	1D10	1	24 - 22	RE52507	5F6	1	90 - 94
RE43294	1F18	14	24 - 83	RE49243	3D6	1	50 - 45	RE52509	5F7	1	90 - 95
RE43295	1F18	15	24 - 83	RE49243	3D6	6	50 - 45	RE52510	5E25	2	90 - 87
RE43296	1F18	11	24 - 83	RE49384	1I16	3	24 - 161	RE52510	5F5	2	90 - 93
RE43297	1F18	13	24 - 83	RE500005	1E10	4A	24 - 47	RE52553	5D19	4	90 - 55
RE43298	1F18	7	24 - 83	RE500005	1E10	4B	24 - 47	RE52555	5D25	1	90 - 61
RE43299	1F18	10	24 - 83	RE500005	1E10	7	24 - 47	RE52844	1E19	3A	24 - 58
RE43384	1C25	6B	24 - 12	RE500023	1D8	8	24 - 20	RE52850	1C19	4	24 - 6
RE43425	1I4	7	24 - 147	RE500023	1D8	12	24 - 20	RE53073	1D9	4	24 - 21
RE43511	1J7	1	24 - 177	RE500024	1D10	2	24 - 22	RE53073	1D10	4	24 - 22
RE43986	1F20	14	24 - 85	RE500024	1D10	5	24 - 22	RE53073	1D10	6	24 - 22
RE44142	1H15	4	24 - 133	RE500133	1E17	4A	24 - 55	RE53408	5E25	3	90 - 87
RE44142	1H21	4	24 - 139	RE500133	1E17	4B	24 - 55	RE53408	5F5	3	90 - 93
RE44145	1H15	8A	24 - 133	RE500160	1H17	11	24 - 135	RE53856	1F20	14	24 - 85
RE44145	1H18	2	24 - 136	RE500160	1H17	20	24 - 135	RE53857	1F20	15	24 - 85
RE44145	1H21	8A	24 - 139	RE500608	1D11	3	24 - 23	RE53858	1F20	12	24 - 85
RE44309	1F16	38	24 - 81	RE500631	1C19	11	24 - 6	RE53859	1F20	13	24 - 85
RE44309	1F18	36	24 - 83	RE500631	1C19	12	24 - 6	RE53860	1F20	9	24 - 85
RE44309	1F20	39	24 - 85	RE500631	1C19	15	24 - 6	RE53861	1F20	10	24 - 85
RE44404	1F18	28	24 - 83	RE500631	1C19	16	24 - 6	RE54885	1G18	6	24 - 110
RE44538	2F5	3	40 - 68	RE500631	1C19	17	24 - 6	RE55277	2D4	20	40 - 17
RE44538	7H16	1	170 - 2	RE500631	1C19	24	24 - 6	RE55278	2D4	20	40 - 17

NUMERICAL INDEX - CONTINUED

PART NO.	GRID	KEY	PAGE	PART NO.	GRID	KEY	PAGE	PART NO.	GRID	KEY	PAGE
RE55343	1E18	10	24 - 56	RE62419	1H17	10	24 - 135	RE71256	1110	6	24 - 153
RE55343	1E18	17	24 - 56	RE62711	1E19	19	24 - 58	RE71527	1E10	6	24 - 47
RE55421	1I4	7	24 - 147	RE63181	1H17	11	24 - 135	RV702A	3F15	25	60 - 9
RE56303	1F4	11	24 - 69	RE63832	5D25	2	90 - 61	RV810A	7E2	14	125 - 63
RE56303	1F6	11	24 - 71	RE64354	1H2	7	24 - 119	RV810A	7E25	3	130 - 5
RE56313	1C19	11	24 - 6	RE65096	1G7	2	24 - 99	R100105	1C16	16B	24 - 3
RE56313	1C19	12	24 - 6	RE65165	1C19	7	24 - 6	R100105	1C18	16	24 - 5
RE56313	1C19	13	24 - 6	RE65168	1C19	10	24 - 6	R100369	1G21	14	24 - 113
RE56313	1C19	15	24 - 6	RE65191	1I4	7	24 - 147	R100377	1I13	2	24 - 157
RE56313	1C19	16	24 - 6	RE65693	5D21	1	90 - 57	R100508	1I8	13	24 - 151
RE56313	1C19	17	24 - 6	RE65694	5D21	3	90 - 57	R100509	1I8	8	24 - 151
RE56313	1C19	24	24 - 6	RE65695	5D19	3	90 - 55	R100511	1I8	7	24 - 151
RE56323	1H17	5	24 - 135	RE65696	5D23	1	90 - 59	R100512	1I8	12	24 - 151
RE56369	1C19	21	24 - 6	RE65908	1D11	11	24 - 23	R100513	1I8	5	24 - 151
RE56578	1C24	4	24 - 11	RE65909	1D11	11	24 - 23	R100727	3D10	7	50 - 49
RE56690	1H10	2	24 - 127	RE65911	1C19	7	24 - 6	R10093	1E11	2	24 - 48
RE56737	1G21	16	24 - 113	RE65912	1C19	10	24 - 6	R10093	5E19	5	90 - 81
RE57240	1H15	4	24 - 133	RE65965	1E6	1	24 - 43	R10093	5E21	3	90 - 83
RE57240	1H21	4	24 - 139	RE65969	1D11	10	24 - 23	R10093	5E23	3	90 - 85
RE57489	1F10	15	24 - 75	RE65978	1E25	3	24 - 64	R101085	1D7	3A	24 - 19
RE57724	1F11	1	24 - 76	RE65978	1G18	4	24 - 110	R101201	1F14	5	24 - 79
RE57724	1G15	18	24 - 107	RE66083	1J3	12	24 - 172	R101201	1F18	12	24 - 83
RE58862	1E20	10	24 - 59	RE66085	1J3	17	24 - 172	R101201	1F20	17	24 - 85
RE59355	1I17	2	24 - 162	RE66087	1J2	33	24 - 171	R101225	1C19	11	24 - 6
RE59407	1G21	15	24 - 113	RE66097	1J2	33	24 - 171	R101225	1C19	14	24 - 6
RE59438	1G18	2	24 - 110	RE66153	1H22	2	24 - 140	R104592	1D16	11	24 - 28
RE59468	1G18	9	24 - 110	RE66298	1H22	4	24 - 140	R104592	1D18	9	24 - 31
RE59487	1H17	4	24 - 135	RE66820	1D8	6	24 - 20	R104592	1D20	8	24 - 33
RE59582	1E20	6	24 - 59	RE66820	1D9	1	24 - 21	R104592	1D22	8	24 - 35
RE59597	1E24	1B	24 - 63	RE66820	1D10	1	24 - 22	R104592	1E4	5	24 - 41
RE59754	1E17	7	24 - 55	RE66820	1D11	6	24 - 23	R104592	1F8	6	24 - 73
RE59801	1D4	5	24 - 16	RE67013	2G25	5	40 - 113	R104592	1F10	5	24 - 75
RE59810	1D7	11	24 - 19	RE67014	2G25	8	40 - 113	R104592	1G9	11	24 - 101
RE59810	1J2	19	24 - 171	RE67015	2G25	6	40 - 113	R104592	1H13	14	24 - 131
RE59811	1C19	4	24 - 6	RE67231	1H10	1	24 - 127	R104592	1H15	19	24 - 133
RE59811	1C19	22	24 - 6	RE67238	1E10	1	24 - 47	R104592	1H21	19	24 - 139
RE59908	1E17	4A	24 - 55	RE67238	1E17	6	24 - 55	R104595	2D23	6	40 - 37
RE59908	1E17	8	24 - 55	RE67238	1H10	13	24 - 127	R104595	2D23	18	40 - 37
RE60005	1F8	4	24 - 73	RE67239	1D7	5	24 - 19	R104628	1E9	5	24 - 46
RE60005	1F10	3	24 - 75	RE68401	3D6	16	50 - 45	R104907	1F18	25	24 - 83
RE60026	1H17	12	24 - 135	RE68495	2G25	1	40 - 113	R104907	1F20	24	24 - 85
RE60029	1F23	22	24 - 89	RE68695	1D1	9	24 - 13	R105346	1G13	2	24 - 105
RE60029	1F25	22	24 - 91	RE68748	1F23	4	24 - 89	R105346	1G15	16	24 - 107
RE60029	1H17	11	24 - 135	RE68748	1F25	4	24 - 91	R105346	1G17	15	24 - 109
RE60037	1H17	2	24 - 135	RE69243	1E12	1	24 - 49	R105346	1I20	8	24 - 165
RE60055	1F23	7	24 - 89	RE69372	1D4	6	24 - 16	R105346	1I22	12	24 - 167
RE60055	1F25	7	24 - 91	RE69757	1F23	25	24 - 89	R105346	1I24	26	24 - 169
RE60056	1F23	8	24 - 89	RE69757	1F25	25	24 - 91	R105362	1F16	38	24 - 81
RE60056	1F25	8	24 - 91	RE70153	1E20	6	24 - 59	R105581	5D8	13	90 - 43
RE60057	1F23	9	24 - 89	RE70400	1D4	6	24 - 16	R105714	1H4	8	24 - 121
RE60057	1F25	9	24 - 91	RE70486	1I10	2	24 - 153	R106045	1E21	2	24 - 60
RE60058	1F23	10	24 - 89	RE70487	1I10	3	24 - 153	R106045	1E21	9	24 - 60
RE60058	1F25	10	24 - 91	RE70536	1I15	5	24 - 159	R106045	1E21	10	24 - 60
RE60059	1F23	11	24 - 89	RE70679	1I6	6	24 - 149	R106045	1E22	4	24 - 61
RE60059	1F25	11	24 - 91	RE70682	1I6	7	24 - 149	R106116	1C25	12	24 - 12
RE60060	1F23	12	24 - 89	RE70683	1G21	14	24 - 113	R106867	1H15	5	24 - 133
RE60060	1F25	12	24 - 91	RE70683	1G21	16	24 - 113	R106867	1H21	5	24 - 139
RE60071	1G6	3	24 - 97	RE70756	1I6	1	24 - 149	R107171	1G11	10	24 - 103
RE60075	1G8	3	24 - 100	RE70848	1F23	3	24 - 89	R107172	1G11	7	24 - 103
RE60854	1H17	17	24 - 135	RE70848	1F25	3	24 - 91	R107731	1C25	9B	24 - 12
RE61616	1E8	1	24 - 45	RE70957	1I10	8	24 - 153	R107731	1D1	11	24 - 13
RE62101	1G13	3	24 - 105	RE70959	1I4	7	24 - 147	R107732	1C25	9B	24 - 12
RE62101	1G13	13	24 - 105	RE70959	1I6	12	24 - 149	R107734	1I11	2A	24 - 154
RE62101	1G15	12	24 - 107	RE70962	1G21	15	24 - 113	R107734	2F5	11	40 - 68
RE62101	1G15	13	24 - 107	RE71121	1J7	1	24 - 177	R107734	2F6	11	40 - 69
RE62101	1G17	12	24 - 109	RE71143	1E20	10	24 - 59	R107823	5E8	6	90 - 69
RE62148	1C25	6B	24 - 12	RE71256	1I6	8	24 - 149	R108269	1G5	3	24 - 96

NUMERICAL INDEX - CONTINUED

PART NO.	GRID	KEY	PAGE	PART NO.	GRID	KEY	PAGE	PART NO.	GRID	KEY	PAGE
R108274	1G5	4	24-96	R116115	1E17	4A	24-55	R123226	1G21	9	24-113
R108274	1I20	3	24-165	R116115	1E17	9	24-55	R123226	1H2	8	24-119
R108404	1I11	2A	24-154	R116116	1H17	15	24-135	R123226	1J2	4	24-171
R108658	1I16	5	24-161	R116281	1D8	8	24-20	R123226	1J3	4	24-172
R108679	1I16	5	24-161	R116296	1E10	2	24-47	R123271	1D1	5	24-13
R108866	1F4	17	24-69	R116297	1E10	3	24-47	R123273	1H22	7	24-140
R109086	1C20	16	24-7	R116366	1F21	5	24-87	R123273	1J2	20	24-171
R109086	1I16	4	24-161	R116386	1D14	1	24-26	R123323	1H2	3	24-119
R109863	1C19	12	24-6	R116386	1F23	18	24-89	R123324	1H2	11	24-119
R109887	1E14	1	24-51	R116386	1F25	18	24-91	R123345	1J2	5	24-171
R109887	1H12	1	24-130	R116424	1E19	1	24-58	R123345	1J3	5	24-172
R110098	1I11	2B	24-154	R116424	1E19	2	24-58	R123354	1E24	2	24-63
R110524	1F6	10	24-71	R116466	1E4	12	24-41	R123354	1J2	12	24-171
R110531	1G4	1	24-95	R116516	1F10	12	24-75	R123354	1J3	13	24-172
R110531	1G9	6	24-101	R116516	1J2	8	24-171	R123355	1D14	3	24-26
R110563	1H8	23	24-125	R116516	1J3	8	24-172	R123417	1G21	13	24-113
R110575	1I18	10	24-163	R119269	1D5	19	24-17	R123417	1J2	21	24-171
R111081	1D16	24	24-28	R119269	1I22	4	24-167	R123421	1J2	22	24-171
R111135	1D16	24	24-28	R119269	1I23	6	24-168	R123425	1J2	22	24-171
R111135	1D18	12	24-31	R119314	1C25	11	24-12	R123471	1H10	5	24-127
R111135	1D18	24	24-31	R119565	1E4	3	24-41	R123475	1E17	4A	24-55
R111135	1D20	3	24-33	R119565	1E6	1	24-43	R123500	1J9	3	24-179
R111135	1D22	12	24-35	R119874	1E4	6	24-41	R123501	1H10	3	24-127
R111135	1D22	24	24-35	R120013	1G13	12	24-105	R123501	1J2	23	24-171
R111137	1D18	11	24-31	R120013	1G15	11	24-107	R123502	1H10	8	24-127
R111137	1D18	24	24-31	R120013	1G17	8	24-109	R123502	1J2	13	24-171
R111137	1D20	3	24-33	R120467	1F2	1	24-67	R123504	1J2	24	24-171
R111137	1D22	13	24-35	R120631	1C19	3	24-6	R123514	1D1	2	24-13
R111137	1D22	24	24-35	R120635	1C19	15	24-6	R123522	2F6	3	40-69
R111137	1E4	10	24-41	R120638	1E20	13	24-59	R123525	1E17	1A	24-55
R111164	1D18	24	24-31	R120641	1C19	12	24-6	R123525	1J2	25	24-171
R111995	3D6	1	50-45	R120757	1G18	6	24-110	R123543	1D4	7	24-16
R111995	3D6	6	50-45	R121043	1E4	9	24-41	R123543	1J2	1	24-171
R11278	2D25	5	40-39	R121314	1D5	19	24-17	R123543	1J3	1	24-172
R112857	3C16	26	50-29	R121314	1I22	4	24-167	R123561	1C19	5	24-6
R112857	3D2	38	50-41	R121314	1I23	6	24-168	R123562	1C19	6	24-6
R112867	1D20	3	24-33	R121376	1E20	7	24-59	R123563	1C19	8	24-6
R112867	1D22	19	24-35	R121411	1D7	8	24-19	R123564	1C19	9	24-6
R112867	1D22	24	24-35	R121416	1H2	10	24-119	R123565	1D1	10	24-13
R112867	1D24	1	24-37	R121416	1J2	3	24-171	R123570	1G18	1	24-110
R112867	1E2	1	24-39	R121416	1J3	3	24-172	R123570	1J2	6	24-171
R112867	1E2	4	24-39	R121424	1D7	7	24-19	R123570	1J3	6	24-172
R112871	1D22	24	24-35	R121608	1F10	14	24-75	R123572	1F11	3	24-76
R112871	1E2	1	24-39	R121608	1F10	15	24-75	R123572	1G8	5	24-100
R113050	5E19	3	90-81	R121635	1G22	5	24-114	R123572	1G15	15	24-107
R113050	5E21	1	90-83	R121674	1D4	4	24-16	R123572	1G17	6	24-109
R113612	1D8	3	24-20	R121867	1D10	2	24-22	R123572	1I20	7	24-165
R113752	1E18	10	24-56	R121897	1I17	3	24-162	R123572	1I22	13	24-167
R113752	1E18	17	24-56	R122183	1I18	10	24-163	R123572	1I24	21	24-169
R114081	1D11	3	24-23	R122183	1I19	3	24-164	R123572	1J2	11	24-171
R114082	1D11	2	24-23	R122226	1D5	1	24-17	R123572	1J3	11	24-172
R114083	1D11	1	24-23	R122226	1D16	10	24-28	R123574	1D4	2	24-16
R114157	1F8	2	24-73	R122226	1D18	8	24-31	R123575	1D4	3	24-16
R114157	1I20	10	24-165	R122226	1D20	18	24-33	R123575	1J2	7	24-171
R114157	1I22	22	24-167	R122226	1D22	7	24-35	R123575	1J3	7	24-172
R114157	1I23	10	24-168	R122351	5E25	4	90-87	R123584	1D7	18	24-19
R114193	1C19	20	24-6	R122618	1D5	7	24-17	R123588	1H2	9	24-119
R114194	1C19	23	24-6	R122618	1E9	4	24-46	R123591	1E17	8	24-55
R114241	1E4	17	24-41	R122618	1G17	11	24-109	R123616	1E4	27	24-41
R115250	1G22	1	24-114	R122618	1H15	1	24-133	R124277	1D5	7	24-17
R115252	1H10	10	24-127	R122618	1H21	1	24-139	R124277	1G13	3	24-105
R115390	1D22	16	24-35	R123145	5E24	6	90-86	R124277	1G13	13	24-105
R115390	1E4	15	24-41	R123161	1D1	7	24-13	R124277	1G15	12	24-107
R115742	5F4	..	90-92	R123174	1C19	11	24-6	R124277	1G15	13	24-107
R115743	5E25	4	90-87	R123177	1D11	5	24-23	R124277	1G17	12	24-109
R115743	5F5	4	90-93	R123179	1E20	6	24-59	R124852	1D18	24	24-31
R116076	1C19	4	24-6	R123216	1E10	5	24-47	R124853	1D22	24	24-35

1L15

9400 MAXIMIZER COMBINE

NUMERICAL INDEX - CONTINUED

PART NO.	GRID	KEY	PAGE	PART NO.	GRID	KEY	PAGE	PART NO.	GRID	KEY	PAGE
R124853	1E2	1	24 - 39	R135509	1I6	4	24 - 149	R26375	4F8	2	70 - 95
R125066	1D5	5	24 - 17	R135509	1I10	4	24 - 153	R26375	4F11	7	70 - 99
R125066	1I22	18	24 - 167	R135510	1I6	5	24 - 149	R26375	5F17	33	110 - 5
R125066	1I23	5	24 - 168	R135510	1I10	1	24 - 153	R26375	6F21	20	121 - 19
R125880	1C25	12	24 - 12	R135896	1H2	10	24 - 119	R26375	6H2	17	121 - 49
R125881	1C25	11	24 - 12	R135896	1J2	3	24 - 171	R26375	7D12	10	125 - 49
R126041	1D5	6	24 - 17	R135896	1J3	3	24 - 172	R26375	7D14	14	125 - 51
R126041	1D5	7	24 - 17	R136100	1I6	9	24 - 149	R26375	7F14	15	130 - 19
R128528	1I18	10	24 - 163	R136475	1D14	3	24 - 26	R26375	7H10	4	160 - 1
R130055	1E12	2	24 - 49	R136483	1E10	5	24 - 47	R26448	2B17	9	30 - 7
R130574	1C19	8	24 - 6	R136495	1E10	3	24 - 47	R26448	3C22	20	50 - 35
R130575	1C19	9	24 - 6	R136495	1J2	31	24 - 171	R26448	3C23	20	50 - 36
R130576	1C19	5	24 - 6	R136514	1E10	8	24 - 47	R26448	3C25	19	50 - 39
R130577	1C19	6	24 - 6	R136515	1J2	22	24 - 171	R26448	3D2	21	50 - 41
R130602	1D11	2	24 - 23	R136516	1D7	1	24 - 19	R26448	3D17	7	50 - 56
R131016	1H2	1	24 - 119	R136516	1J2	22	24 - 171	R26448	3D18	7	50 - 57
R131182	1E4	21	24 - 41	R15027	2F4	23	40 - 67	R26448	3E16	10	50 - 81
R131206	1C19	16	24 - 6	R15029	2F4	19	40 - 67	R26448	3E16	33	50 - 81
R131283	1C19	16	24 - 6	R15033	2F4	20	40 - 67	R26448	3E18	10	50 - 83
R131283	1C19	19	24 - 6	R15036	2F4	8	40 - 67	R26448	3E18	27	50 - 83
R131769	1I19	4	24 - 164	R15036	2F8	14	40 - 71	R26448	3F4	1	50 - 95
R131794	1D13	1	24 - 25	R1818R	3C1	4	50 - 13	R26448	3F11	1	60 - 5
R131794	1D15	1	24 - 27	R20135	6G16	3	121 - 39	R26448	3F13	2	60 - 7
R131794	1I22	2	24 - 167	R20136	5F15	27	110 - 3	R26448	3F13	15	60 - 7
R131794	1I23	3	24 - 168	R20136	5H14	11	110 - 53	R26448	3G4	14	60 - 23
R132166	1I13	3	24 - 157	R21612	3F21	27	60 - 15	R26448	3G16	1	60 - 35
R132167	1I13	6	24 - 157	R26125	1F4	6	24 - 69	R26448	4B20	17	70 - 7
R132168	1I15	1	24 - 159	R26125	1F6	6	24 - 71	R26448	4C6	27	70 - 17
R132169	1I15	4	24 - 159	R26125	1F8	5	24 - 73	R26448	4C8	19	70 - 19
R132186	1E4	20	24 - 41	R26125	1F10	4	24 - 75	R26448	4C12	23	70 - 23
R132203	1F12	1	24 - 77	R26192	3G6	28	60 - 25	R26448	4D8	4	70 - 43
R132267	1F23	14	24 - 89	R26192	3G6	30	60 - 25	R26448	4D12	27	70 - 47
R132267	1F25	14	24 - 91	R26192	5E11	28	90 - 73	R26448	4D16	22	70 - 51
R132518	1E4	7	24 - 41	R26192	5E11	30	90 - 73	R26448	4D19	22	70 - 55
R132690	1J9	2	24 - 179	R26207	3B24	6	50 - 11	R26448	4D25	3	70 - 61
R132874	1F18	27	24 - 83	R26265	3C7	7	50 - 19	R26448	4E2	3	70 - 63
R132874	1F20	26	24 - 85	R26286	1F16	20	24 - 81	R26448	4E5	20	70 - 67
R132874	1F23	15	24 - 89	R26286	1F18	20	24 - 83	R26448	4E9	7	70 - 71
R132874	1F25	15	24 - 91	R26286	1F20	30	24 - 85	R26448	4E11	14	70 - 73
R133187	1G6	1	24 - 97	R26286	1H15	7	24 - 133	R26448	4E21	9	70 - 83
R133296	1I17	1	24 - 162	R26286	1H21	7	24 - 139	R26448	4F6	9	70 - 93
R133303	1C24	3	24 - 11	R26286	1I23	9	24 - 168	R26448	4F8	10	70 - 95
R133405	1H22	5	24 - 140	R26375	2E20	22	40 - 59	R26448	4F11	2	70 - 99
R133617	2C18	17	40 - 7	R26375	2E20	23	40 - 59	R26448	4F11	10	70 - 99
R133617	5C24	17	90 - 35	R26375	3C1	2A	50 - 13	R26448	7H10	8	160 - 1
R133811	1C24	1	24 - 11	R26375	3C1	11	50 - 13	R26493	1D16	14	24 - 28
R133812	1C24	2	24 - 11	R26375	3D14	12	50 - 53	R26493	1D18	13	24 - 31
R134240	1E12	3	24 - 49	R26375	3E16	34	50 - 81	R26493	1D22	14	24 - 35
R134527	1D14	2	24 - 26	R26375	3E18	28	50 - 83	R26493	1E4	11	24 - 41
R134531	1D7	2	24 - 19	R26375	3E21	1	50 - 87	R26501	3G8	30	60 - 27
R134533	1J2	22	24 - 171	R26375	3F13	11	60 - 7	R26501	5E4	11	90 - 65
R134534	1D7	1	24 - 19	R26375	3G4	5	60 - 23	R26501	5E13	30	90 - 75
R134534	1J2	22	24 - 171	R26375	3G10	1	60 - 29	R26524	3G8	32	60 - 27
R134725	1E24	1B	24 - 63	R26375	4B22	1	70 - 9	R26524	5E13	32	90 - 75
R134725	1E24	3B	24 - 63	R26375	4B24	2	70 - 11	R26650	1D16	22	24 - 28
R134725	1E24	8	24 - 63	R26375	4C2	5	70 - 13	R26650	1D18	14	24 - 31
R134725	1E24	9	24 - 63	R26375	4C6	33	70 - 17	R26650	1D20	10	24 - 33
R135057	1E24	1A	24 - 63	R26375	4C10	3	70 - 21	R26650	1D22	15	24 - 35
R135057	1E24	3A	24 - 63	R26375	4C12	1	70 - 23	R26650	1E4	13	24 - 41
R135057	1E24	6	24 - 63	R26375	4C14	11	70 - 25	R26650	3D6	15	50 - 45
R135057	1E24	7	24 - 63	R26375	4C20	19	70 - 31	R26650	3D8	5	50 - 47
R135058	1E21	2	24 - 60	R26375	4C22	17	70 - 33	R26906	3C18	2	50 - 31
R135058	1E22	4	24 - 61	R26375	4C24	8	70 - 35	R26906	3D3	2	50 - 42
R135058	1E22	7	24 - 61	R26375	4D2	18	70 - 37	R26906	4B18	13	70 - 5
R135177	1H10	11	24 - 127	R26375	4D6	1	70 - 41	R26906	4C4	5	70 - 15
R135440	1C24	1	24 - 11	R26375	4D9	9	70 - 44	R26906	4C18	14	70 - 29
R135440	1C24	4	24 - 11	R26375	4E9	9	70 - 71	R26906	4D2	1	70 - 37

1L16

9400 MAXIMIZER COMBINE

NUMERICAL INDEX - CONTINUED

PART NO.	GRID	KEY	PAGE	PART NO.	GRID	KEY	PAGE	PART NO.	GRID	KEY	PAGE
R26906	4D6	14	70 - 41	R28782	4F8	14	70 - 95	R34985	1H6	4	24 - 123
R26906	4D10	17	70 - 45	R28811	1I18	3	24 - 163	R34985	1H8	13	24 - 125
R26906	4D16	16	70 - 51	R29936	3E10	27	50 - 75	R35352	1F16	16	24 - 81
R26906	4D17	16	70 - 52	R29936	3E10	28	50 - 75	R35352	1F18	16	24 - 83
R26906	4D19	16	70 - 55	R29936	3E10	33	50 - 75	R35352	1F20	6	24 - 85
R26906	4D23	16	70 - 59	R29936	3E12	21	50 - 77	R35352	3C11	6	50 - 23
R26906	4F6	2	70 - 93	R29936	3E14	14	50 - 79	R35542	6H24	4	121 - 71
R26906	4F8	17	70 - 95	R29936	3E18	35	50 - 83	R35542	7G22	3	130 - 51
R26906	5F17	30	110 - 5	R29936	3E19	9	50 - 84	R35643	5F17	17	110 - 5
R26906	6F7	8	121 - 5	R29936	3G4	12	60 - 23	R35794	3G4	16	60 - 23
R26906	7D10	11	125 - 47	R29936	4C4	2	70 - 15	R36119	1B14	17	20 - 3
R26906	7D12	18	125 - 49	R29936	4D2	15	70 - 37	R36540	1G2	7	24 - 93
R26906	7D14	10	125 - 51	R29936	4D6	15	70 - 41	R375R	4D9	4	70 - 44
R26906	7H13	14	160 - 4	R29936	4D6	24	70 - 41	R38131	6G10	36	121 - 33
R27149	1I18	11	24 - 163	R29936	7D8	5	125 - 45	R39081	5F17	16	110 - 5
R27166	3C25	9	50 - 39	R29936	7D10	13	125 - 47	R39112	3D14	13	50 - 53
R27175	3D2	31	50 - 41	R30378	2G4	43	40 - 91	R39112	3F13	12	60 - 7
R27175	3D3	1	50 - 42	R30399	3H6	15	60 - 49	R39112	4F11	8	70 - 99
R27218	3C22	21	50 - 35	R30815	4B24	6	70 - 11	R394R	3C5	7	50 - 17
R27218	3C23	21	50 - 36	R30903	3C18	6	50 - 31	R39503	1G13	10	24 - 105
R27218	3C25	20	50 - 39	R30903	4D14	14	70 - 49	R39503	1G15	9	24 - 107
R27218	3D17	8	50 - 56	R31250	2E24	13	40 - 63	R39503	1G17	9	24 - 109
R27218	3D18	8	50 - 57	R31378	5H6	2	110 - 45	R39503	1H6	1	24 - 123
R27218	3F13	10	60 - 7	R31674	3D17	4	50 - 56	R39503	1H8	1	24 - 125
R27218	4F8	13	70 - 95	R31674	3D18	4	50 - 57	R39554	3G6	3	60 - 25
R27218	4F11	6	70 - 99	R31890	5D8	15	90 - 43	R39554	3G6	8	60 - 25
R27272	1F16	19	24 - 81	R32011	2G6	8	40 - 93	R39554	5E11	3	90 - 73
R27272	1F18	19	24 - 83	R32016	2G6	10	40 - 93	R39554	5E11	8	90 - 73
R27272	1F20	16	24 - 85	R32017	2G6	11	40 - 93	R39741	1D16	7	24 - 28
R27272	1H15	6	24 - 133	R32018	2G6	12	40 - 93	R39741	1D18	6	24 - 31
R27272	1H21	6	24 - 139	R32019	2G6	13	40 - 93	R39741	1D20	7	24 - 33
R27285	1I24	27	24 - 169	R32021	2G6	14	40 - 93	R39741	1D22	5	24 - 35
R27346	1H13	9	24 - 131	R32022	2G6	15	40 - 93	R39741	1E4	22	24 - 41
R27346	1H15	12B	24 - 133	R32023	2G6	16	40 - 93	R39825	2B23	21	30 - 13
R27346	1H15	20	24 - 133	R32024	2G7	3	40 - 94	R39825	2B25	17	30 - 15
R27346	1H21	12B	24 - 139	R32025	2G7	4	40 - 94	R39876	3D10	2	50 - 49
R27346	1H21	20	24 - 139	R32026	2G4	48	40 - 91	R42009	3F25	6	60 - 19
R27441	5E8	18	90 - 69	R32026	2G6	17	40 - 93	R42729	1B24	2	20 - 13
R27474	1E21	5	24 - 60	R32027	2G6	18	40 - 93	R42729	1C25	8	24 - 12
R27474	6F7	9	121 - 5	R32027	2G8	1	40 - 95	R42729	1D1	6	24 - 13
R27564	1E18	12	24 - 56	R32028	2G6	19	40 - 93	R42729	7B17	5	125 - 5
R27564	1I22	7	24 - 167	R32029	2G6	20	40 - 93	R42852	1H6	20	24 - 123
R27564	4D10	14	70 - 45	R32214	3D6	13	50 - 45	R42852	1H8	19	24 - 125
R27564	6G4	42	121 - 27	R32214	3D16	4	50 - 55	R42926	3D19	1	50 - 58
R27796	3C9	7	50 - 21	R32239	4B16	12	70 - 3	R42926	3F7	1	60 - 1
R27928	4C18	6	70 - 29	R33058	5F17	8	110 - 5	R42926	4F9	1	70 - 96
R27928	7H13	6	160 - 4	R33079	5F17	3	110 - 5	R43305	6F5	6	121 - 3
R28583	1J4	1	24 - 174	R33088	5F17	5	110 - 5	R43383	6D20	16	120 - 59
R28583	1J5	1	24 - 175	R33138	3C1	2A	50 - 13	R43383	6E4	21	120 - 67
R28583	1J6	1	24 - 176	R33138	3C1	12	50 - 13	R43409	1F10	9	24 - 75
R28583	2B19	7	30 - 9	R33138	4F8	1	70 - 95	R43413	1I24	30	24 - 169
R28583	2B21	7	30 - 11	R33259	5E19	2	90 - 81	R43416	1I24	26	24 - 169
R28776	4C18	1	70 - 29	R33259	5E21	19	90 - 83	R44302	2C22	..	40 - 11
R28776	4F8	4	70 - 95	R33521	4F8	33	70 - 95	R44302	2E20	12	40 - 59
R28776	7H13	1	160 - 4	R34337	2D19	8	40 - 33	R44302	2G20	5	40 - 107
R28782	2E20	22	40 - 59	R34337	2D21	14	40 - 35	R44302	4C14	12	70 - 25
R28782	3C20	36	50 - 33	R34404	3C22	17	50 - 35	R44302	4C22	20	70 - 33
R28782	3D3	10	50 - 42	R34404	3C23	17	50 - 36	R44302	4C24	13	70 - 35
R28782	3D10	10	50 - 49	R34447	1H13	7	24 - 131	R44302	6E16	9	120 - 79
R28782	3D17	9	50 - 56	R34447	1H15	18	24 - 133	R44302	6E18	8	120 - 81
R28782	3D18	9	50 - 57	R34447	1H21	18	24 - 139	R44302	7G12	6	130 - 41
R28782	3E16	17	50 - 81	R34760	1F13	8	24 - 78	R44342	3G6	38	60 - 25
R28782	3E18	17	50 - 83	R34760	1F16	30	24 - 81	R44342	5E11	38	90 - 73
R28782	4B22	9	70 - 9	R34764	1I24	33	24 - 169	R45182	3D17	3	50 - 56
R28782	4D12	20	70 - 47	R34812	1G2	2	24 - 93	R45182	3D18	3	50 - 57
R28782	4D14	19	70 - 49	R34985	1G19	10	24 - 111	R45186	3D19	2	50 - 58
R28782	4E21	6	70 - 83	R34985	1G20	4	24 - 112	R45186	3F7	2	60 - 1

NUMERICAL INDEX - CONTINUED

PART NO.	GRID	KEY	PAGE	PART NO.	GRID	KEY	PAGE	PART NO.	GRID	KEY	PAGE
R45186	4F9	2	70 - 96	R49856	5E21	..	90 - 83	R50927	1I2	14	24 - 145
R45187	3D19	3	50 - 58	R500001	1E10	7	24 - 47	R50928	1I2	16	24 - 145
R45187	3F7	3	60 - 1	R500270	1H22	1	24 - 140	R50929	1I2	15	24 - 145
R45187	4F9	3	70 - 96	R500271	1H22	6	24 - 140	R50930	1I2	12	24 - 145
R45638	3D19	4	50 - 58	R500321	1I15	4	24 - 159	R50931	1I1	20	24 - 144
R45638	3F7	4	60 - 1	R500335	1D11	3	24 - 23	R50931	1I2	9	24 - 145
R45638	4F9	4	70 - 96	R500363	1C19	15	24 - 6	R51031	3C20	33	50 - 33
R45822	5C20	23	90 - 31	R500374	1E17	1B	24 - 55	R51031	3D3	17	50 - 42
R45847	5F9	4	90 - 97	R500374	1E17	4A	24 - 55	R51031	3D10	11	50 - 49
R45847	5F9	5	90 - 97	R500374	1J2	32	24 - 171	R51031	3D17	10	50 - 56
R46414	1G13	5	24 - 105	R500390	1F13	10	24 - 78	R51031	3D18	10	50 - 57
R46414	1G15	4	24 - 107	R500390	1F14	8	24 - 79	R51659	1I2	7	24 - 145
R46414	4G20	4	80 - 31	R500390	1F21	8	24 - 87	R51660	1I2	5	24 - 145
R46414	5E15	7	90 - 77	R500394	1G6	2	24 - 97	R51661	1H25	22	24 - 143
R46625	1E11	5	24 - 48	R500500	1D11	1	24 - 23	R51662	1I3	17	24 - 146
R46625	1H6	22	24 - 123	R500608	1D11	3	24 - 23	R51664	1I1	19	24 - 144
R46625	1H6	26	24 - 123	R501102	1E19	20	24 - 58	R51665	1H25	15	24 - 143
R46701	3D19	5	50 - 58	R501124	1D11	1	24 - 23	R51666	1H25	14	24 - 143
R46701	3F7	5	60 - 1	R501144	1H2	9	24 - 119	R51667	1H25	8	24 - 143
R46701	4F9	5	70 - 96	R501373	1G23	6	24 - 115	R51669	1I3	16	24 - 146
R47077	1G3	4	24 - 94	R501373	1G24	8	24 - 117	R51671	1I3	5	24 - 146
R47151	1E21	4	24 - 60	R501373	1I20	1	24 - 165	R51734	1F4	8	24 - 69
R47154	1D5	10	24 - 17	R501373	1I22	14	24 - 167	R51734	1F6	8	24 - 71
R47160	1J4	2	24 - 174	R501373	1I23	14	24 - 168	R51936	1F16	3	24 - 81
R47160	1J5	2	24 - 175	R501373	1J2	9	24 - 171	R51936	1F18	3	24 - 83
R47160	1J6	2	24 - 176	R501373	1J3	9	24 - 172	R51936	1F20	3	24 - 85
R47160	2B19	6	30 - 9	R502076	1F23	28	24 - 89	R51937	1F16	2	24 - 81
R47160	2B21	6	30 - 11	R50354	1D3	3	24 - 15	R51937	1F18	2	24 - 83
R47314	1G11	3	24 - 103	R50400	1G11	9	24 - 103	R51937	1F20	2	24 - 85
R47449	4F8	26	70 - 95	R50456	5B18	10	90 - 5	R52015	3C12	3	50 - 25
R47460	2F4	5	40 - 67	R50456	5F9	19	90 - 97	R52385	1I3	24	24 - 146
R47460	2F8	11	40 - 71	R50642	7F22	19	130 - 27	R52387	1H25	11	24 - 143
R47693	1C4	5	20 - 17	R50770	6G20	12	121 - 43	R52811	1G11	2	24 - 103
R47693	1J10	3	24 - 180	R50875	7G8	20	130 - 37	R52811	1I22	26	24 - 167
R47998	3G6	37	60 - 25	R50891	1H25	2	24 - 143	R53108	1J2	26	24 - 171
R47998	5E11	37	90 - 73	R50891	1I2	13	24 - 145	R53169	6F15	14	121 - 13
R48000	1F13	10	24 - 78	R50892	1H25	3	24 - 143	R53382	1E18	4	24 - 56
R48000	1F14	8	24 - 79	R50893	1H25	12	24 - 143	R53543	1I22	25	24 - 167
R48000	1F21	8	24 - 87	R50894	1I3	13	24 - 146	R53543	3C20	30	50 - 33
R48000	1I20	13	24 - 165	R50897	1H25	10	24 - 143	R53665	5D8	21	90 - 43
R48000	1I24	33	24 - 169	R50899	1I1	11	24 - 144	R53665	5E8	17	90 - 69
R48071	1H13	8	24 - 131	R50899	1I3	20	24 - 146	R54114	1D8	4	24 - 20
R48071	1H15	17	24 - 133	R50900	1H25	1	24 - 143	R54114	1D9	2	24 - 21
R48071	1H21	17	24 - 139	R50901	1H25	20	24 - 143	R54114	1D11	4	24 - 23
R48362	1G11	11	24 - 103	R50901	1I8	4	24 - 151	R54114	1E8	1	24 - 45
R48362	1G11	13	24 - 103	R50902	1H25	5	24 - 143	R54123	1C4	4	20 - 17
R48362	1G19	22	24 - 111	R50902	1I8	2	24 - 151	R54123	1J10	6	24 - 180
R48600	1F18	27	24 - 83	R50903	1H25	6	24 - 143	R54380	3C11	8	50 - 23
R48600	1F20	26	24 - 85	R50905	1H25	23	24 - 143	R54445	2D23	6	40 - 37
R48685	1C16	2	24 - 3	R50906	1H25	18	24 - 143	R54445	2D23	18	40 - 37
R48685	1C18	2	24 - 5	R50907	1I1	5	24 - 144	R54447	2D23	3	40 - 37
R48685	1C19	1	24 - 6	R50909	1I1	12	24 - 144	R54500	1F11	1	24 - 76
R48685	1C20	7	24 - 7	R50910	1I3	19	24 - 146	R54500	1G15	18	24 - 107
R48685	1C21	1	24 - 8	R50912	1I2	8	24 - 145	R54510	1C4	2	20 - 17
R48685	1D16	2	24 - 28	R50913	1I1	2	24 - 144	R54511	1C4	3	20 - 17
R48685	1D16	5	24 - 28	R50914	1I1	7	24 - 144	R54565	1C25	1	24 - 12
R48685	1D18	1	24 - 31	R50915	1I1	8	24 - 144	R54565	1D1	1	24 - 13
R48685	1D20	2	24 - 33	R50916	1I1	3	24 - 144	R54614	1E18	11	24 - 56
R48685	1D20	16	24 - 33	R50917	1I1	10	24 - 144	R54615	1E18	10	24 - 56
R48685	1D22	1	24 - 35	R50918	1I1	14	24 - 144	R54632	1E19	7	24 - 58
R48685	1E4	1	24 - 41	R50919	1I1	15	24 - 144	R54637	1G24	14	24 - 117
R48795	1G3	9	24 - 94	R50920	1I1	9	24 - 144	R54638	1G23	6	24 - 115
R48808	2F6	17	40 - 69	R50921	1I1	18	24 - 144	R54638	1G24	8	24 - 117
R48887	2F4	10	40 - 67	R50922	1I1	16	24 - 144	R54638	1I20	1	24 - 165
R48887	2G2	17	40 - 89	R50923	1I2	1	24 - 145	R54638	1I22	14	24 - 167
R495R	3C5	17	50 - 17	R50924	1I2	2	24 - 145	R54638	1I23	14	24 - 168
R495R	5G10	3	110 - 23	R50925	1I2	3	24 - 145	R54638	1J2	9	24 - 171

NUMERICAL INDEX - CONTINUED

PART NO.	GRID	KEY	PAGE	PART NO.	GRID	KEY	PAGE	PART NO.	GRID	KEY	PAGE
R54638	1J3	9	24 - 172	R56809	1G20	8	24 - 112	R61871	1J2	16	24 - 171
R54641	1G23	10	24 - 115	R56810	1G19	1	24 - 111	R61871	1J3	16	24 - 172
R54641	1G24	11	24 - 117	R56810	1G20	2	24 - 112	R62072	1D8	11	24 - 20
R54641	1I20	6	24 - 165	R56811	1G19	8	24 - 111	R62073	1C21	4	24 - 8
R54641	1I22	6	24 - 167	R56811	1G20	9	24 - 112	R62073	1D8	11	24 - 20
R54641	1I24	29	24 - 169	R56812	1G19	7	24 - 111	R62074	1D8	11	24 - 20
R54802	1D16	19	24 - 28	R56812	1G20	7	24 - 112	R62075	1D8	11	24 - 20
R54802	1D18	21	24 - 31	R56814	1H6	16	24 - 123	R62192	6G24	21	121 - 47
R54802	1D20	15	24 - 33	R56815	1H6	17	24 - 123	R62356	4F23	..	80 - 9
R54802	1D22	18	24 - 35	R56930	4E13	17	70 - 75	R62380	1F6	18	24 - 71
R54815	1E19	10	24 - 58	R56930	4E15	19	70 - 77	R62502	5F15	34	110 - 3
R54823	1E14	6	24 - 51	R56930	4E17	21	70 - 79	R62502	5H14	14	110 - 53
R54823	1E15	2	24 - 52	R56930	4E21	5	70 - 83	R63308	3C16	30	50 - 29
R54823	1H12	6	24 - 130	R56947	1H4	7	24 - 121	R63308	3E24	2	50 - 91
R54826	1H6	3	24 - 123	R57003	6I8	..	121 - 79	R63308	3F2	2	50 - 93
R54826	1H8	3	24 - 125	R57059	1E18	2	24 - 56	R63548	1G8	1	24 - 100
R54828	1H6	21	24 - 123	R57079	1F4	7	24 - 69	R63548	1G18	8	24 - 110
R54829	1H4	6	24 - 121	R57079	1F6	7	24 - 71	R63666	2D19	13	40 - 33
R54829	1H6	14	24 - 123	R57260	1I11	6	24 - 154	R63666	2D21	30	40 - 35
R54830	1H6	12	24 - 123	R57269	3D6	7	50 - 45	R63667	2D19	14	40 - 33
R54986	1C25	2	24 - 12	R57300	1H4	2	24 - 121	R63667	2D21	29	40 - 35
R55128	1H4	4	24 - 121	R57300	1H6	11	24 - 123	R63668	2D19	15	40 - 33
R55129	1H4	11	24 - 121	R57451	1D8	2	24 - 20	R63668	2D21	28	40 - 35
R55233	1D16	1	24 - 28	R57451	1D9	5	24 - 21	R63669	2D19	16	40 - 33
R55233	1D20	4	24 - 33	R57725	1B24	1	20 - 13	R63669	2D21	27	40 - 35
R55233	1E4	4	24 - 41	R58632	1H6	5	24 - 123	R63670	2D19	34	40 - 33
R55326	6D16	13	120 - 55	R58806	5C21	3	90 - 32	R63670	2D21	22	40 - 35
R55408	1B14	32	20 - 3	R58816	5E8	6	90 - 69	R63980	4F8	5	70 - 95
R55509	1I22	13	24 - 167	R58980	1D8	11	24 - 20	R64056	2D23	13	40 - 37
R55967	1G23	9	24 - 115	R59009	5D8	11	90 - 43	R64058	2D23	16	40 - 37
R55967	1G24	10	24 - 117	R59010	5D8	13	90 - 43	R64059	2D23	12	40 - 37
R56055	1F16	24	24 - 81	R59011	5D8	16	90 - 43	R64060	2D23	10	40 - 37
R56056	1F16	25	24 - 81	R59012	5D8	12	90 - 43	R64061	2D23	4	40 - 37
R56057	1D12	2	24 - 24	R59013	5E8	14	90 - 69	R64268	1G23	7	24 - 115
R56188	1D8	5	24 - 20	R59015	5D8	5	90 - 43	R64525	2F6	16	40 - 69
R56188	1D9	3	24 - 21	R59015	5E8	12	90 - 69	R64698	3D19	10	50 - 58
R56192	1H8	17	24 - 125	R59018	5D8	14	90 - 43	R64698	3F7	10	60 - 1
R56192	1I23	13	24 - 168	R59019	5D8	2	90 - 43	R64698	4F9	10	70 - 96
R56193	1H8	18	24 - 125	R59020	5E8	10	90 - 69	R64848	1C21	7	24 - 8
R56193	1I23	7	24 - 168	R59021	5E8	7	90 - 69	R65215	1D16	15	24 - 28
R56195	1H8	14	24 - 125	R59022	5E8	13	90 - 69	R65215	1D18	18	24 - 31
R56197	1H8	21	24 - 125	R59023	5E8	8	90 - 69	R65215	1D20	11	24 - 33
R56422	1F16	26	24 - 81	R59028	5E8	2	90 - 69	R65215	1D22	22	24 - 35
R56423	1F16	27	24 - 81	R59029	5E8	4	90 - 69	R65286	3C25	24	50 - 39
R56424	1F20	27	24 - 85	R59070	5E8	1	90 - 69	R65569	5D4	2	90 - 39
R56461	1G23	8	24 - 115	R60021	5C20	22	90 - 31	R65569	5F19	2	110 - 7
R56461	1G24	9	24 - 117	R60170	5E19	19	90 - 81	R65593	2G6	2	40 - 93
R56461	1I20	12	24 - 165	R60172	5E19	18	90 - 81	R65594	2G6	9	40 - 93
R56461	1I22	24	24 - 167	R60239	3D14	4	50 - 53	R65595	2G6	21	40 - 93
R56461	1I24	31	24 - 169	R60458	5D8	9	90 - 43	R65596	2G6	22	40 - 93
R56463	1E25	5	24 - 64	R60730	3F15	15	60 - 9	R65597	2G6	23	40 - 93
R56463	1I20	5	24 - 165	R60730	5C10	21	90 - 21	R65598	2G6	24	40 - 93
R56463	1I22	8	24 - 167	R60730	5C12	8	90 - 23	R65599	2G6	25	40 - 93
R56463	1I23	11	24 - 168	R60961	1H8	9	24 - 125	R65600	2G6	26	40 - 93
R56551	1G4	2	24 - 95	R61035	1F4	10	24 - 69	R65601	2G6	27	40 - 93
R56551	1G9	7	24 - 101	R61035	1F4	11	24 - 69	R65602	2G4	49	40 - 91
R56552	1G4	1	24 - 95	R61035	1F6	11	24 - 71	R65602	2G6	28	40 - 93
R56552	1G9	6	24 - 101	R61105	1H10	9	24 - 127	R65603	2G6	29	40 - 93
R56588	1H13	2	24 - 131	R61105	1J2	29	24 - 171	R65604	2G6	30	40 - 93
R56588	1H15	2	24 - 133	R61862	5E8	9	90 - 69	R65605	2G6	31	40 - 93
R56588	1H21	2	24 - 139	R61871	1E18	13	24 - 56	R65606	2G6	32	40 - 93
R56722	6H4	27	121 - 51	R61871	1E19	4	24 - 58	R65607	2G4	46	40 - 91
R56782	4F8	6	70 - 95	R61871	1E20	9	24 - 59	R65607	2G6	33	40 - 93
R56792	1I3	2	24 - 146	R61871	1H6	28	24 - 123	R65608	2G6	3	40 - 93
R56793	1I3	3	24 - 146	R61871	1H8	24	24 - 125	R65609	2G6	6	40 - 93
R56802	1I1	13	24 - 144	R61871	1I22	5	24 - 167	R65610	2G6	7	40 - 93
R56809	1G19	5	24 - 111	R61871	1I24	28	24 - 169	R66090	1F16	4	24 - 81

NUMERICAL INDEX - CONTINUED

PART NO.	GRID	KEY	PAGE	PART NO.	GRID	KEY	PAGE	PART NO.	GRID	KEY	PAGE
R66090	1F18	4	24 - 83	R72659	1E25	2	24 - 64	R77391	5E24	8	90 - 86
R66090	1F20	4	24 - 85	R72659	1F2	3	24 - 67	R77392	5E24	9	90 - 86
R66177	1E19	6	24 - 58	R72659	3E10	9	50 - 75	R77393	5E24	10	90 - 86
R66177	1E19	13	24 - 58	R72659	4E23	9	70 - 85	R77394	5E24	12	90 - 86
R66197	5F17	1	110 - 5	R72659	7D8	8	125 - 45	R77396	5F3	7	90 - 91
R66319	2G6	1	40 - 93	R72745	1D9	8	24 - 21	R77397	5F3	2	90 - 91
R66320	2G2	24	40 - 89	R73102	3D8	2	50 - 47	R77398	5E24	3	90 - 86
R66320	2G6	5	40 - 93	R73102	3D14	2	50 - 53	R77399	5F3	4	90 - 91
R66321	2G2	24	40 - 89	R73139	1E11	6	24 - 48	R77400	5E24	6	90 - 86
R66321	2G6	4	40 - 93	R73139	1H6	25	24 - 123	R77401	5E24	5	90 - 86
R66626	5H24	7	110 - 63	R73290	5G2	27	110 - 15	R77456	2G2	27	40 - 89
R66718	4F23	..	80 - 9	R73290	5G4	27	110 - 17	R77457	2D25	11	40 - 39
R66821	1H13	12	24 - 131	R73290	5G6	27	110 - 19	R77457	2E8	15	40 - 47
R66821	1H15	14	24 - 133	R73384	5D4	13	90 - 39	R77457	2G2	29	40 - 89
R66821	1H21	14	24 - 139	R73384	5F19	13	110 - 7	R77458	2E4	8	40 - 43
R67230	2E18	10	40 - 57	R73498	2B21	10	30 - 11	R77458	2G2	28	40 - 89
R67363	4H6	18	80 - 41	R74012	1H17	2	24 - 135	R77459	2G2	28	40 - 89
R67364	1F23	2	24 - 89	R74195	1D9	6	24 - 21	R77459	2G16	14	40 - 103
R67364	1F25	2	24 - 91	R74354	1E18	12	24 - 56	R77460	2G2	28	40 - 89
R67377	2E24	10	40 - 63	R74354	1I22	7	24 - 167	R77461	2G2	28	40 - 89
R67769	1D5	11	24 - 17	R74552	1E18	1	24 - 56	R77462	2G2	25	40 - 89
R67779	1F13	5	24 - 78	R74552	1E19	1	24 - 58	R77463	2D25	10	40 - 39
R68102	3D8	4	50 - 47	R74553	1E18	3	24 - 56	R77463	2D25	11	40 - 39
R68222	1I3	10	24 - 146	R74553	1E18	16	24 - 56	R77463	2E2	2	40 - 41
R68223	1I3	9	24 - 146	R74553	1E19	1	24 - 58	R77463	2E2	3	40 - 41
R68224	1I3	1	24 - 146	R74553	1E19	2	24 - 58	R77463	2E8	13	40 - 47
R68824	6F11	11	121 - 9	R74689	3D9	4	50 - 48	R77463	2G2	30	40 - 89
R69536	3D10	8	50 - 49	R74690	3D9	2	50 - 48	R77464	2C14	13	40 - 3
R69536	3D14	6	50 - 53	R74693	3D9	6	50 - 48	R77464	2C14	16	40 - 3
R69536	3D14	16	50 - 53	R74694	3D9	7	50 - 48	R77464	2C14	18	40 - 3
R69927	3D12	1	50 - 51	R74696	3D9	3	50 - 48	R77464	2G2	26	40 - 89
R70112	3C9	15	50 - 21	R74697	3D9	5	50 - 48	R77464	4D25	17	70 - 61
R70113	3C9	17	50 - 21	R75728	1D2	5	24 - 14	R77464	4E2	17	70 - 63
R70114	3C9	18	50 - 21	R75728	1D3	7	24 - 15	R77465	2C24	5	40 - 13
R70115	3C9	19	50 - 21	R75728	1I20	2	24 - 165	R77465	2C24	6	40 - 13
R70182	1C16	10	24 - 3	R75728	1I22	1	24 - 167	R77465	2D25	7	40 - 39
R70182	1C18	10	24 - 5	R75728	1I23	1	24 - 168	R77465	2D25	10	40 - 39
R70210	2G4	40	40 - 91	R75892	1D16	23	24 - 28	R77465	2D25	12	40 - 39
R70210	2G4	41	40 - 91	R75892	1D18	15	24 - 31	R77465	2E2	2	40 - 41
R70211	2G4	40	40 - 91	R75892	1E4	16	24 - 41	R77465	2E2	3	40 - 41
R70211	2G4	41	40 - 91	R75892	1J2	14	24 - 171	R77465	2E4	15	40 - 43
R70212	2G4	40	40 - 91	R75892	1J3	14	24 - 172	R77465	2E8	16	40 - 47
R70212	2G4	41	40 - 91	R76126	1C16	16A	24 - 3	R77465	2E16	19	40 - 55
R70213	2G4	40	40 - 91	R76139	1I3	8	24 - 146	R77465	2G2	31	40 - 89
R70214	2G4	40	40 - 91	R76241	1H6	27	24 - 123	R77466	2G2	33	40 - 89
R70214	2G4	41	40 - 91	R76337	2E20	10	40 - 59	R77467	2G2	34	40 - 89
R70215	2G4	40	40 - 91	R76477	1I4	6	24 - 147	R77468	2C14	10	40 - 3
R70216	2G4	40	40 - 91	R76477	2E2	1	40 - 41	R77468	2G2	32	40 - 89
R70216	2G4	41	40 - 91	R76477	2E2	2	40 - 41	R77469	2G4	35	40 - 91
R70217	2G4	40	40 - 91	R76578	1G2	14	24 - 93	R77470	2G4	45	40 - 91
R70218	2G4	40	40 - 91	R76674	6F9	15	121 - 7	R77471	2G4	45	40 - 91
R70218	2G4	41	40 - 91	R76729	1G2	4	24 - 93	R77472	2G4	45	40 - 91
R70219	2G4	40	40 - 91	R76937	6F11	9	121 - 9	R77473	2G4	45	40 - 91
R70220	2G4	50	40 - 91	R77052	1I23	2	24 - 168	R77474	2G4	44	40 - 91
R70221	2G4	39	40 - 91	R77175	3C22	23	50 - 35	R77475	2G2	13	40 - 89
R70222	2G4	38	40 - 91	R77175	3C23	23	50 - 36	R77476	2D10	15	40 - 23
R70483	1I18	8	24 - 163	R77175	3D2	23	50 - 41	R77476	2D12	14	40 - 25
R70956	1I22	25	24 - 167	R77175	4B20	19	70 - 7	R77476	2G2	3	40 - 89
R71144	3C1	7	50 - 13	R77175	4D25	1	70 - 61	R77477	2C14	14	40 - 3
R71351	4F23	..	80 - 9	R77175	4E2	1	70 - 63	R77477	2C14	19	40 - 3
R71711	3D8	7	50 - 47	R77175	4E5	22	70 - 67	R77477	2G2	4	40 - 89
R71756	6G10	10	121 - 33	R77175	4F8	12	70 - 95	R77478	2G2	15	40 - 89
R71758	6G10	6	121 - 33	R77178	4C20	15A	70 - 31	R77479	2G2	5	40 - 89
R71963	1F21	2	24 - 87	R77178	4C20	15B	70 - 31	R77479	2G10	6	40 - 97
R72032	6F15	9	121 - 13	R77178	4C22	18B	70 - 33	R77480	2D6	7	40 - 19
R72328	1F2	2	24 - 67	R77178	4C24	9	70 - 35	R77480	2D6	8	40 - 19
R72328	1J2	27	24 - 171	R77390	5E24	14	90 - 86	R77480	2D8	7	40 - 21

NUMERICAL INDEX - CONTINUED

PART NO.	GRID	KEY	PAGE	PART NO.	GRID	KEY	PAGE	PART NO.	GRID	KEY	PAGE
R77480	2D8	8	40-21	R78048	4B16	13	70-3	R78060	2C24	2	40-13
R77480	2G2	6	40-89	R78049	2E4	22	40-43	R78060	2D8	11	40-21
R77481	2C14	7	40-3	R78049	2F24	15	40-87	R78060	2E2	11	40-41
R77481	2G2	7	40-89	R78050	2E4	24	40-43	R78060	2E4	16	40-43
R77482	2G2	8	40-89	R78050	2F24	19	40-87	R78060	2E4	21	40-43
R77483	2D10	14	40-23	R78051	2E22	25	40-61	R78060	2E4	22	40-43
R77483	2D12	13	40-25	R78051	2F24	24	40-87	R78060	2E4	24	40-43
R77483	2G2	16	40-89	R78051	2G23	1	40-111	R78060	2E8	7	40-47
R77484	2G2	19	40-89	R78052	2E22	8	40-61	R78060	2E8	20	40-47
R77485	2G2	21	40-89	R78052	2F24	5	40-87	R78060	2E10	10	40-49
R77486	2G2	22	40-89	R78052	2G12	5	40-99	R78060	2E22	21	40-61
R77487	2G2	23	40-89	R78053	2C14	9	40-3	R78060	2E22	24	40-61
R77488	2G4	51	40-91	R78053	2D6	10	40-19	R78060	2E22	25	40-61
R77489	2G4	51	40-91	R78053	2D8	10	40-21	R78060	2E24	17	40-63
R77489	2G10	7	40-97	R78053	2D10	16	40-23	R78060	2F10	8	40-73
R77489	2G12	1	40-99	R78053	2D12	15	40-25	R78060	2F24	2	40-87
R77489	2G12	4	40-99	R78053	2D19	33	40-33	R78060	2F24	9	40-87
R77490	2G4	51	40-91	R78053	2E2	17	40-41	R78060	2G10	3	40-97
R77491	2G4	54	40-91	R78053	2E4	13	40-43	R78060	2G12	2	40-99
R77491	2G10	2	40-97	R78053	2E6	12	40-45	R78060	2G12	6	40-99
R77492	2G4	54	40-91	R78053	2E8	14	40-47	R78060	2G23	1	40-111
R77493	2G4	51	40-91	R78053	2E8	17	40-47	R78060	4F8	15	70-95
R77493	2G10	1	40-97	R78053	2E8	18	40-47	R78061	2C14	9	40-3
R77494	2G4	55	40-91	R78053	2E12	18	40-51	R78061	2D10	9	40-23
R77494	2G12	7	40-99	R78053	2E22	24	40-61	R78061	2D10	16	40-23
R77495	2G4	52	40-91	R78053	2E24	18	40-63	R78061	2D12	8	40-25
R77496	2G4	52	40-91	R78053	2F24	13	40-87	R78061	2D12	15	40-25
R77497	2G4	53	40-91	R78053	2G10	4	40-97	R78061	2E4	19	40-43
R77498	2G2	24	40-89	R78053	2G12	3	40-99	R78061	2E8	17	40-47
R77499	2G2	24	40-89	R78053	2G23	13	40-111	R78061	2E22	8	40-61
R77500	2G2	24	40-89	R78053	3D19	14	50-58	R78061	2E22	24	40-61
R77501	2G2	24	40-89	R78053	3F7	14	60-1	R78061	2F24	6	40-87
R77502	2G4	56	40-91	R78053	4C18	16	70-29	R78061	2F24	23	40-87
R77503	2G4	56	40-91	R78053	4F9	14	70-96	R78061	2G10	4	40-97
R77764	6F11	8	121-9	R78053	5D8	25	90-43	R78061	2G12	3	40-99
R78025	3G21	8	60-40	R78053	7H13	16	160-4	R78061	2G12	5	40-99
R78025	3G22	12	60-41	R78054	2F24	17	40-87	R78061	3D19	14	50-58
R78025	3G23	12	60-42	R78055	2E4	19	40-43	R78061	3F7	14	60-1
R78026	3G21	6	60-40	R78055	2F24	22	40-87	R78061	4C18	16	70-29
R78026	3G22	6	60-41	R78056	2F24	26	40-87	R78061	4F9	14	70-96
R78026	3G23	6	60-42	R78057	2C14	11	40-3	R78061	7H13	16	160-4
R78027	3G17	2	60-36	R78057	2E22	21	40-61	R78062	2F24	1	40-87
R78027	3G21	2	60-40	R78057	2E22	23	40-61	R78063	2C24	2	40-13
R78027	3G22	2	60-41	R78057	2E24	23	40-63	R78063	2D8	11	40-21
R78027	3G23	2	60-42	R78057	2F24	2	40-87	R78063	2D19	33	40-33
R78047	2C14	11	40-3	R78058	2D19	33	40-33	R78063	2E2	17	40-41
R78047	2E22	22	40-61	R78058	2E4	19	40-43	R78063	2E4	13	40-43
R78047	2F24	3	40-87	R78058	2E8	14	40-47	R78063	2E4	19	40-43
R78047	2G12	6	40-99	R78058	2E8	18	40-47	R78063	2E4	21	40-43
R78048	2C14	12	40-3	R78058	2E12	18	40-51	R78063	2E4	22	40-43
R78048	2C24	2	40-13	R78058	2E24	18	40-63	R78063	2E4	24	40-43
R78048	2D8	11	40-21	R78058	2F24	23	40-87	R78063	2E6	12	40-45
R78048	2E2	11	40-41	R78058	5D8	25	90-43	R78063	2E8	14	40-47
R78048	2E4	14	40-43	R78059	2E4	19	40-43	R78063	2E8	17	40-47
R78048	2E4	16	40-43	R78059	2E8	14	40-47	R78063	2E8	18	40-47
R78048	2E4	21	40-43	R78059	2E8	18	40-47	R78063	2E10	10	40-49
R78048	2E6	13	40-45	R78059	2E12	16	40-51	R78063	2E16	15	40-55
R78048	2E8	7	40-47	R78059	2E12	18	40-51	R78063	2E16	..	40-55
R78048	2E8	20	40-47	R78059	2F24	1	40-87	R78063	2E22	24	40-61
R78048	2E10	10	40-49	R78059	3D19	14	50-58	R78063	2E24	18	40-63
R78048	2E12	16	40-51	R78059	3F7	14	60-1	R78063	2F24	1	40-87
R78048	2E22	23	40-61	R78059	4C18	16	70-29	R78063	2F24	7	40-87
R78048	2E24	17	40-63	R78059	4D9	8	70-44	R78063	2G10	3	40-97
R78048	2E24	23	40-63	R78059	4F8	9	70-95	R78063	2G10	4	40-97
R78048	2F10	8	40-73	R78059	4F9	14	70-96	R78063	2G12	2	40-99
R78048	2F24	10	40-87	R78059	7H13	16	160-4	R78063	2G12	3	40-99
R78048	2G10	3	40-97	R78060	2C14	12	40-3	R78063	2G12	5	40-99

NUMERICAL INDEX - CONTINUED

PART NO.	GRID	KEY	PAGE	PART NO.	GRID	KEY	PAGE	PART NO.	GRID	KEY	PAGE
R78063	2G12	6	40 - 99	R82847	1G9	8	24 - 101	R90059	1D8	8	24 - 20
R78063	2G23	13	40 - 111	R82855	1F4	3	24 - 69	R90171	1D20	3	24 - 33
R78063	4F8	15	70 - 95	R82896	1C25	9A	24 - 12	R90521	5G19	5	110 - 33
R78063	5D8	25	90 - 43	R83169	1D5	9	24 - 17	R90565	4E20	4	70 - 82
R78064	2F24	27	40 - 87	R83169	1D7	12	24 - 19	R90648	1D12	1	24 - 24
R78065	2E2	1	40 - 41	R83169	1D20	3	24 - 33	R90648	1D13	1	24 - 25
R78288	1H4	5	24 - 121	R83169	1D22	11	24 - 35	R90648	1D15	1	24 - 27
R78289	1H4	3	24 - 121	R83169	1D22	24	24 - 35	R90648	1I22	2	24 - 167
R78366	1D5	5	24 - 17	R83169	1D24	1	24 - 37	R90648	1I23	3	24 - 168
R78558	1F6	2	24 - 71	R83169	1E2	1	24 - 39	R90658	1F11	8	24 - 76
R78598	1C21	8	24 - 8	R83169	1E2	2	24 - 39	R90658	1F12	2	24 - 77
R79089	1D16	20	24 - 28	R83429	1C25	9A	24 - 12	R90658	1I20	4	24 - 165
R79089	1D18	19	24 - 31	R84261	6G10	11	121 - 33	R90658	1I22	19	24 - 167
R79089	1D20	14	24 - 33	R84943	3H4	1	60 - 47	R90658	1I23	4	24 - 168
R79089	1D22	23	24 - 35	R84978	1I16	5	24 - 161	R90658	1J2	2	24 - 171
R79117	4E20	9	70 - 82	R85168	6F17	10	121 - 15	R90658	1J3	2	24 - 172
R79560	1E19	5	24 - 58	R85169	6F17	11	121 - 15	R90692	1F8	12	24 - 73
R79561	1E19	12	24 - 58	R85363	1C20	15	24 - 7	R90692	1F10	10	24 - 75
R79562	1E19	14	24 - 58	R85363	1F4	2	24 - 69	R90784	1G20	10	24 - 112
R79563	1E19	15	24 - 58	R85363	1F6	2	24 - 71	R90838	1I18	4	24 - 163
R79604	1F13	3	24 - 78	R85363	1F6	3	24 - 71	R91360	1F18	26	24 - 83
R79604	1F14	4	24 - 79	R85363	1F8	1	24 - 73	R91360	1F20	25	24 - 85
R79604	1F21	4	24 - 87	R85363	1F10	1	24 - 75	R91360	1F23	16	24 - 89
R79605	1F13	2	24 - 78	R85363	1I16	5	24 - 161	R91360	1F25	16	24 - 91
R79605	1F14	3	24 - 79	R85373	3D14	15	50 - 53	R91455	1E21	2	24 - 60
R79605	1F21	3	24 - 87	R85374	3D14	8	50 - 53	R91455	1E22	4	24 - 61
R79606	1F13	1	24 - 78	R85376	3D14	9	50 - 53	R91692	1D7	15	24 - 19
R79606	1F14	2	24 - 79	R85378	3D14	10	50 - 53	R91880	1F4	15	24 - 69
R79624	1F4	13	24 - 69	R85588	3D10	1	50 - 49	R91880	1F6	15	24 - 71
R79624	1F6	13	24 - 71	R85685	1F8	11	24 - 73	R91889	1F8	3	24 - 73
R79625	1F4	13	24 - 69	R85687	1F8	9	24 - 73	R91889	1F10	2	24 - 75
R79626	1F4	13	24 - 69	R85687	1F10	8	24 - 75	R92104	3D10	3	50 - 49
R79627	1F4	13	24 - 69	R85688	5E24	7	90 - 86	R92148	3D12	1	50 - 51
R79915	2E18	8	40 - 57	R85712	1G23	4	24 - 115	R92154	1E25	4	24 - 64
R80R	6G10	37	121 - 33	R85712	1G24	6	24 - 117	R92160	3D6	4	50 - 45
R80032	1D8	3	24 - 20	R86819	1E11	3	24 - 48	R92351	1F13	7	24 - 78
R80033	1D8	1	24 - 20	R87203	1G4	3	24 - 95	R92351	1F16	29	24 - 81
R80500	1D10	2	24 - 22	R87345	6D16	12	120 - 55	R92352	1F13	9	24 - 78
R80632	1E19	11	24 - 58	R87369	1I18	10	24 - 163	R92352	1F14	7	24 - 79
R80632	1E19	16	24 - 58	R87627	1F4	12	24 - 69	R92352	1F21	7	24 - 87
R80880	3C9	16	50 - 21	R87627	1I20	11	24 - 165	R92387	3D10	7	50 - 49
R81210	1G13	12	24 - 105	R87627	1I22	23	24 - 167	R92426	1F8	2	24 - 73
R81210	1G15	11	24 - 107	R88829	3D6	11	50 - 45	R92426	1I20	10	24 - 165
R81210	1G17	8	24 - 109	R88959	3D12	3	50 - 51	R92426	1I22	22	24 - 167
R81275	1G4	6	24 - 95	R88972	3D6	1	50 - 45	R92426	1I23	10	24 - 168
R81275	1G6	4	24 - 97	R88972	3D6	6	50 - 45	R92977	3D16	1	50 - 55
R81275	1G9	2	24 - 101	R89015	3D14	14	50 - 53	R92978	3D16	6	50 - 55
R81275	1I20	3	24 - 165	R89142	5D8	10	90 - 43	R92979	3D12	4	50 - 51
R81275	1I22	20	24 - 167	R89143	5D8	4	90 - 43	R93030	3D6	5	50 - 45
R81275	1I23	17	24 - 168	R89219	1F4	14	24 - 69	R93105	3D8	6	50 - 47
R81275	1J2	10	24 - 171	R89219	1F6	14	24 - 71	R93142	3D6	17	50 - 45
R81275	1J3	10	24 - 172	R89220	1F4	14	24 - 69	R93142	3D12	2	50 - 51
R81929	1G2	10	24 - 93	R89221	1F4	14	24 - 69	R93180	3D6	3	50 - 45
R81948	1D16	24	24 - 28	R89222	1F4	14	24 - 69	R93910	1F8	9	24 - 73
R81989	1C18	25	24 - 5	R89610	3D6	12	50 - 45	R93910	1F10	8	24 - 75
R81989	1C20	13	24 - 7	R89824	1C16	7	24 - 3	R94350	2F6	2	40 - 69
R81989	1I16	2	24 - 161	R89824	1C18	7	24 - 5	R94351	2F6	15	40 - 69
R82131	1H13	11	24 - 131	R89824	1C18	22	24 - 5	R96703	1I6	2	24 - 149
R82131	1H15	11	24 - 133	R89879	1F11	3	24 - 76	R97185	1D22	17	24 - 35
R82131	1H18	1	24 - 136	R89879	1G15	15	24 - 107	R97185	1E20	8	24 - 59
R82131	1H18	3	24 - 136	R89879	1G17	6	24 - 109	R97185	1J2	15	24 - 171
R82131	1H19	3	24 - 137	R89879	1I20	7	24 - 165	R97185	1J3	15	24 - 172
R82131	1H21	11	24 - 139	R89879	1I22	13	24 - 167	R97344	1E21	1	24 - 60
R82571	4E20	7	70 - 82	R89879	1I24	21	24 - 169	R97344	1E22	1	24 - 61
R82821	1C23	1	24 - 10	R89944	1F23	28	24 - 89	R97344	1I22	21	24 - 167
R82843	1G9	12	24 - 101	R89944	1G22	6	24 - 114	R97344	1I24	24	24 - 169
R82844	1G9	1	24 - 101	R89944	1J2	28	24 - 171	R97345	1I22	21	24 - 167

NUMERICAL INDEX - CONTINUED

PART NO.	GRID	KEY	PAGE	PART NO.	GRID	KEY	PAGE	PART NO.	GRID	KEY	PAGE
R97346	1G11	1	24-103	TY15130	6G10	..	121-33	TY6304	6G10	..	121-33
R97346	1I22	27	24-167	TY15130	7F14	..	130-19	TY6305	2E20	..	40-59
R97347	1G9	9	24-101	TY15451	2D4	20	40-17	TY6305	3B24	..	50-11
R97347	1I22	28	24-167	TY15452	2D4	20	40-17	TY6305	3E21	..	50-87
R97348	1I20	9	24-165	TY15709	6I8	..	121-79	TY6305	6G10	..	121-33
R97348	1I22	11	24-167	TY15949	5F4	..	90-92	TY6311	1C14	1	24-1
R97348	1I24	30	24-169	TY15950	5F4	..	90-92	TY6312	1C14	1	24-1
R97349	1G13	2	24-105	TY15951	5F4	..	90-92	TY6313	1C14	1	24-1
R97349	1I22	12	24-167	TY15969	5F15	..	110-3	TY6333	5F15	..	110-3
R97349	1I24	26	24-169	TY16004	1C15	..	24-2	TY6333	6C25	..	120-39
R97350	1H18	4	24-136	TY16005	1C15	..	24-2	TY6333	6D2	..	120-41
R97350	1H18	7	24-136	TY16086	2G2	24	40-89	TY6333	6G10	..	121-33
R97350	1H19	4	24-137	TY16285	2E20	..	40-59	TY6359	1C14	1	24-1
R97350	1I22	16	24-167	TY16285	3B24	..	50-11	TY6360	1C14	1	24-1
R97350	1I24	27	24-169	TY16285	3E21	..	50-87	TY6361	1C14	1	24-1
R97351	1I18	8	24-163	TY21765	2F13	8	40-76	TY6389	1C14	2	24-1
R97351	1I22	10	24-167	TY22007	1C14	2	24-1	TY6390	1C14	2	24-1
R97351	1I23	12	24-168	TY22008	1C14	2	24-1	TY6391	1C14	2	24-1
R97352	1E9	1	24-46	TY22009	1C14	1	24-1	TY6392	1C14	2	24-1
R97352	1I22	17	24-167	TY22010	1C14	2	24-1	TY6393	1C14	2	24-1
R97352	1I23	18	24-168	TY22011	1C14	2	24-1	TY6394	1C14	2	24-1
R97355	1I22	29	24-167	TY22025	5E23	..	90-85	TY6626	5E21	18	90-83
R97454	1D5	19	24-17	TY22025	5F4	..	90-92	TY6626	5E24	16	90-86
R97454	1I22	4	24-167	TY22101	5E23	..	90-85	TY6653	2E18	15	40-57
R97454	1I23	6	24-168	TY22101	5F4	..	90-92	TY6653	2F4	11	40-67
R97490	1F8	13	24-73	TY22324	2C4	8	30-19	TY6653	2F4	12	40-67
R97491	1F8	13	24-73	TY22326	6H6	20	121-53	TY6653	2F4	22	40-67
R97492	1F8	12	24-73	TY22326	6H22	4	121-69	TY6653	2F4	..	40-67
R97493	1F8	12	24-73	TY22326	7E8	3	125-69	TY6653	2F5	1	40-68
R97564	1G19	11	24-111	TY22326	7G22	24	130-51	TY6725	1H23	3	24-141
R97564	1G19	23	24-111	TY22328	5F9	5	90-97	TY6725	1H24	1	24-142
R97587	1E19	17	24-58	TY22329	6G24	11	121-47	TY6738	1G20	11	24-112
R97773	1D5	5	24-17	TY22330	5F9	4	90-97	TY6748	2F4	15	40-67
R97773	1I22	18	24-167	TY22412	2C6	1	30-21	TY6748	2F4	..	40-67
R97773	1I23	5	24-168	TY22418	2B13	22	30-3	TY6748	2F5	1	40-68
R98062	1F8	13	24-73	TY22418	2B17	2	30-7	TY6750	2F6	1	40-69
R98062	1F10	11	24-75	TY22424	1C6	4	20-19	TY6750	2F6	13	40-69
R98063	1F8	8	24-73	TY22462	2B17	1	30-7	TY6750	2F8	..	40-71
R98063	1F10	8	24-75	TY22462	2C6	2	30-21	TY6765	5E23	16	90-85
R98335	1F8	8	24-73	TY22465	2B13	5	30-3	TY6768	5F4	..	90-92
R98335	1F10	8	24-75	TY22465	5F9	3	90-97	TY9370	3C3	..	50-15
R98471	1H8	11	24-125	TY22465	6H2	10	121-49	TY9370	5B24	..	90-11
R98471	1I23	20	24-168	TY22470	2B23	6	30-13	TY9370	5D2	..	90-37
R98484	1H8	26	24-125	TY22470	2B25	6	30-15	TY9371	3B24	..	50-11
R98484	1I23	20	24-168	TY22470	2C2	6	30-17	TY9371	3C3	..	50-15
R98485	1H8	22	24-125	TY22471	1I4	3	24-147	TY9371	3C5	..	50-17
R98485	1I23	19	24-168	TY22472	2C4	1	30-19	TY9371	5D2	..	90-37
R98486	1H6	8	24-123	TY22472	2C4	13	30-19	TY9371	6C5	..	120-19
R98487	1H6	18	24-123	TY22472	5E15	27	90-77	TY9371	6F15	..	121-13
R98488	1E14	4	24-51	TY22474	5E19	20	90-81	TY9373	3C3	..	50-15
R98488	1E15	5	24-52	TY22475	4C22	18A	70-33	TY9373	5D2	..	90-37
R98488	1H12	4	24-130	TY22494	6F17	21	121-15	TY9374	2E20	..	40-59
R98488	1I23	16	24-168	TY22494	6G4	46	121-27	TY9374	6F11	..	121-9
R98489	1H6	9	24-123	TY22494	6G4	47	121-27	TY9478	3C3	..	50-15
R98489	1H8	25	24-125	TY22559	2B17	2	30-7	TY9478	5D2	..	90-37
R98489	1I23	15	24-168	TY22566	2C6	1	30-21	T100640	2F5	2	40-68
R98527	1G21	14	24-113	TY24485	2F6	1	40-69	T105740	3D21	9	50-61
R99173	2D4	27	40-17	TY24485	2F6	13	40-69	T105740	3D25	6	50-65
R99244	3C12	16	50-25	TY24485	2F8	..	40-71	T105740	3E2	6	50-67
R99377	3D9	1	50-48	TY2615	7C12	19	125-25	T105964	7F24	32	130-29
TY15130	5F17	..	110-5	TY6167	2F13	8	40-76	T10745	2F6	4	40-69
TY15130	6F5	..	121-3	TY6280	1C14	1	24-1	T10745	2F8	2	40-71
TY15130	6F7	..	121-5	TY6297	1C14	1	24-1	T11180	1G7	1	24-99
TY15130	6F19	..	121-17	TY6298	1C14	1	24-1	T11180	1G7	2	24-99
TY15130	6F21	..	121-19	TY6300	1C14	1	24-1	T11180	1G13	1	24-105
TY15130	6F23	..	121-21	TY6301	1C14	1	24-1	T11180	1G15	1	24-107
TY15130	6F25	..	121-23	TY6304	3C5	..	50-17	T11180	1G17	3	24-109

NUMERICAL INDEX - CONTINUED

PART NO.	GRID	KEY	PAGE	PART NO.	GRID	KEY	PAGE	PART NO.	GRID	KEY	PAGE
T11290	1G2	6	24-93	T20094	1C18	4	24-5	T23529	3G6	29	60-25
T11899	1G2	13	24-93	T20094	1C20	4	24-7	T23554	1C21	6	24-8
T11918	1G2	1	24-93	T20094	1C21	5	24-8	T23891	1I18	2	24-163
T11935	1G3	10	24-94	T20129	1F4	1	24-69	T24167	2C14	13	40-3
T11937	1G3	11	24-94	T20129	1F6	12	24-71	T24472	1F13	11	24-78
T119912	6H4	22	121-51	T20155	1D5	19	24-17	T24472	1F14	9	24-79
T12033	3B16	3	50-3	T20166	1D12	4	24-24	T24472	1F21	9	24-87
T122075	1H10	4	24-127	T20166	1D13	4	24-25	T24959	1H8	8	24-125
T122075	1J2	30	24-171	T20166	1D15	4	24-27	T25343	2F4	22	40-67
T12960	4C2	7	70-13	T20168	1D16	16	24-28	T25353	2F4	11	40-67
T13119	2B21	9	30-11	T20168	1D18	17	24-31	T25473	3E21	7	50-87
T13213	1E21	9	24-60	T20168	1D20	12	24-33	T25701	1D16	12	24-28
T13213	1E22	8	24-61	T20168	1D22	21	24-35	T25701	1D18	10	24-31
T13213	1E24	7	24-63	T20168	1E4	18	24-41	T25701	1D20	17	24-33
T13254	1H17	18	24-135	T20168	1F6	3	24-71	T25701	1D22	9	24-35
T14050	1H13	4	24-131	T20204	1I11	2A	24-154	T25701	1G9	17	24-101
T14050	1H15	3	24-133	T20205	1E21	1	24-60	T25701	1G19	13	24-111
T14050	1H17	14	24-135	T20205	1E22	1	24-61	T25701	1G20	13	24-112
T14050	1H21	3	24-139	T20205	1I22	21	24-167	T26257	4D12	15	70-47
T14065	3C20	14	50-33	T20205	1I24	24	24-169	T26321	1C16	17	24-3
T14323	6F11	7	121-9	T20217	5F25	5	110-13	T26321	1C18	17	24-5
T14323	6F11	18	121-9	T20217	6E23	4	120-86	T26322	1C18	18	24-5
T146102	1I4	5	24-147	T20217	6G16	20	121-39	T26323	1C16	7	24-3
T146102	1I6	3	24-149	T20217	7G2	7	130-31	T26324	1C16	6	24-3
T146102	1I10	5	24-153	T20243	1G19	9	24-111	T26324	1C18	6	24-5
T15005	2C16	14	40-5	T20243	1G20	11	24-112	T26325	1C16	15A	24-3
T15712	1G2	12	24-93	T20243	1G20	12	24-112	T26326	1C16	11	24-3
T15712	2B21	9	30-11	T20243	1I22	3	24-167	T26326	1C18	11	24-5
T16193	5D4	8	90-39	T20243	1I24	32	24-169	T26327	1C16	12	24-3
T16193	5F19	8	110-7	T20273	1I22	15	24-167	T26327	1C18	12	24-5
T16318	1G2	5	24-93	T20273	1I24	25	24-169	T26508	1F6	18	24-71
T16464	6C2	26	120-15	T20294	1D2	1	24-14	T26509	1F6	17	24-71
T17568	2B13	13	30-3	T20294	1D3	1	24-15	T27523	4B22	3	70-9
T17568	2B13	22	30-3	T20298	1E18	7	24-56	T27523	7D10	7	125-47
T17568	2B13	29	30-3	T20298	1E19	8	24-58	T27657	1D5	14	24-17
T17568	2B17	21	30-7	T20314	1C25	4	24-12	T27658	1D5	17	24-17
T17949	1G2	9	24-93	T20314	1D1	4	24-13	T27658	1D7	13	24-19
T17951	1G2	11	24-93	T20315	1C25	5	24-12	T27658	1D20	3	24-33
T18891	1D16	13	24-28	T20316	1C25	3	24-12	T27658	1D22	10	24-35
T18891	1D18	23	24-31	T20316	1D1	3	24-13	T27658	1D22	24	24-35
T18891	1D20	9	24-33	T20328	1D2	2	24-14	T27658	1D24	1	24-37
T18891	1E4	2	24-41	T20328	1D3	2	24-15	T27658	1E2	1	24-39
T19044	1E13	1	24-50	T20328	1I22	9	24-167	T27658	1E2	3	24-39
T19044	1E14	7	24-51	T20328	1I24	22	24-169	T27860	1F16	23	24-81
T19044	1E15	6	24-52	T20336	1E9	1	24-46	T27860	1F18	23	24-83
T19044	1H11	1	24-129	T20362	1D5	6	24-17	T27860	1F20	22	24-85
T19044	1H12	7	24-130	T22714	6G16	23	121-39	T27860	1F23	26	24-89
T19832	3C16	26	50-29	T22828	4E20	2	70-82	T27860	1H18	6	24-136
T19832	3D2	38	50-41	T22875	3G6	31	60-25	T27860	1H19	2	24-137
T19855	1G2	8	24-93	T22875	5E11	31	90-73	T27888	3C1	3	50-13
T19898	1G17	14	24-109	T23027	5C14	2	90-25	T27986	1J5	4	24-175
T19935	1D5	20	24-17	T23033	5C14	6	90-25	T27986	1J6	4	24-176
T19935	1I11	10	24-154	T23260	1E9	2	24-46	T28041	1C23	2	24-10
T20034	1C16	9	24-3	T23266	1C16	5	24-3	T28077	2B13	4	30-3
T20034	1C18	9	24-5	T23266	1C21	2	24-8	T28583	2C14	8	40-3
T20034	1C19	24	24-6	T23266	1I16	5	24-161	T28583	2D6	6	40-19
T20046	1C16	13	24-3	T23435	1D16	21	24-28	T28583	2D8	6	40-21
T20046	1C18	13	24-5	T23435	1D18	22	24-31	T28583	2E8	19	40-47
T20046	1C20	3	24-7	T23435	1E13	2	24-50	T28583	2G2	1	40-89
T20050	1E18	15	24-56	T23435	1H11	2	24-129	T28583	2G6	34	40-93
T20070	1C23	5	24-10	T23442	1F18	24	24-83	T28585	2C22	12	40-11
T20072	1C23	3	24-10	T23442	1F20	23	24-85	T28585	2C22	16	40-11
T20073	1C25	10	24-12	T23474	1D16	17	24-28	T28585	2G2	12	40-89
T20077	1F4	4	24-69	T23474	1D18	16	24-31	T28585	2G6	35	40-93
T20077	1F6	4	24-71	T23474	1D20	13	24-33	T28586	2D10	17	40-23
T20091	1E18	9	24-56	T23474	1D22	20	24-35	T28586	2D12	16	40-25
T20094	1C16	4	24-3	T23474	1E4	19	24-41	T28586	2G2	14	40-89

NUMERICAL INDEX - CONTINUED

PART NO.	GRID	KEY	PAGE	PART NO.	GRID	KEY	PAGE	PART NO.	GRID	KEY	PAGE
T28586	5E17	8	90-79	T55585	5E11	6	90-73	T77613	4E11	6	70-73
T28860	2B17	20	30-7	T55761	5F15	26	110-3	T77613	4E21	11	70-83
T28949	2B13	27	30-3	T55761	5H14	10	110-53	T77613	4F11	4	70-99
T29100	2F4	2	40-67	T58477	1F10	6	24-75	T77613	4F13	2	70-101
T29342	3C16	19	50-29	T60314	4F8	32	70-95	T77814	3E16	8	50-81
T29342	3F2	4	50-93	T62323	3H2	12	60-45	T77814	3E18	8	50-83
T29527	1H13	4	24-131	T62508	6F11	2	121-9	T77814	3G16	12	60-35
T29527	1H15	3	24-133	T62509	6F11	4	121-9	T77814	4C8	4	70-19
T29527	1H21	3	24-139	T62828	5D15	1	90-51	T77814	4C10	4	70-21
T29969	1F20	11	24-85	T62843	7D14	13	125-51	T77814	4C14	8	70-25
T29969	1H15	24	24-133	T63817	4B16	8	70-3	T77814	4C24	27	70-35
T29969	1H21	24	24-139	T65643	4B16	7	70-3	T77814	4D8	9	70-43
T30818	1F11	6	24-76	T69027	6F19	18	121-17	T77814	4E21	8	70-83
T31174	1F13	4	24-78	T69027	6F21	8	121-19	T77814	4F13	1	70-101
T31174	1F14	1	24-79	T70309	6F9	12	121-7	T77857	3D19	2	50-58
T31306	1H4	10	24-121	T70694	1C6	9	20-19	T77857	3E16	36	50-81
T32231	2B19	3	30-9	T72393	3D23	13	50-63	T77857	3E18	30	50-83
T32231	2B21	3	30-11	T72393	3E2	19	50-67	T77857	3F7	2	60-1
T32231	2E22	12	40-61	T72393	3E4	16	50-69	T77857	3F13	13	60-7
T32255	2D19	19	40-33	T72393	4C4	11	70-15	T77857	3G4	7	60-23
T32255	2D21	5	40-35	T74410	2E16	12	40-55	T77857	3G10	3	60-29
T32255	2D21	19	40-35	T74416	1G13	5	24-105	T77857	3G12	2	60-31
T34037	1E25	6	24-64	T74416	1G15	4	24-107	T77857	3G14	11	60-33
T34067	2D10	13	40-23	T74416	1G17	16	24-109	T77857	4C2	13	70-13
T34067	2D10	16	40-23	T75984	4C18	2	70-29	T77857	4C4	7	70-15
T34067	2D12	12	40-25	T75984	4D12	12	70-47	T77857	4C6	35	70-17
T34067	2D12	15	40-25	T75984	4D14	12	70-49	T77857	4C12	3	70-23
T34067	2G2	18	40-89	T75984	4D16	12	70-51	T77857	4C20	21	70-31
T34354	6F19	9	121-17	T75984	4D17	12	70-52	T77857	4C22	23	70-33
T34354	6F21	5	121-19	T75984	4D19	12	70-55	T77857	4C24	16	70-35
T34355	6F19	9	121-17	T75984	4D23	12	70-59	T77857	4E23	1	70-85
T34355	6F21	5	121-19	T75984	7H13	2	160-4	T77857	4E25	13	70-87
T34356	6F19	9	121-17	T76719	2B13	27	30-3	T77857	4F2	13	70-89
T34356	6F21	5	121-19	T76719	6H2	19	121-49	T77857	4F9	2	70-96
T35440	2D21	24	40-35	T76836	3B24	10	50-11	T77857	4F13	3	70-101
T35699	1E25	2	24-64	T76938	3E10	1	50-75	T77857	7D10	4	125-47
T37851	7F2	11	130-7	T76938	3E10	30	50-75	T77857	7D12	5	125-49
T38377	2B13	27	30-3	T76938	3E12	2	50-77	T77857	7D14	5	125-51
T38377	6H2	18	121-49	T76938	3G4	10	60-23	T77857	7H10	2	160-1
T40867	4G10	24	80-21	T76938	4C4	25	70-15	T77858	3D21	3	50-61
T41201	6F23	4	121-21	T76938	4D6	17	70-41	T77858	3D23	3	50-63
T41201	6F25	4	121-23	T76938	4D6	22	70-41	T77858	3D25	7	50-65
T43512	3E21	..	50-87	T76938	4F13	6	70-101	T77858	3E2	7	50-67
T43512	5F15	..	110-3	T76938	7D8	10	125-45	T77858	3E4	8	50-69
T43512	5F17	..	110-5	T77258	1119	2	24-164	T77858	3E6	7	50-71
T43512	6F19	..	121-17	T77514	4F8	24	70-95	T77858	3E8	7	50-73
T43512	6F21	..	121-19	T77613	1G18	10	24-110	T77858	3E10	2	50-75
T43512	6F23	..	121-21	T77613	2B15	1	30-5	T77858	3E12	4	50-77
T43512	6F25	..	121-23	T77613	2B17	7	30-7	T77858	3E14	1	50-79
T43512	6G10	..	121-33	T77613	3E16	4	50-81	T77858	3E16	1	50-81
T43514	1E4	24	24-41	T77613	3E18	4	50-83	T77858	3E18	1	50-83
T43514	3C5	13	50-17	T77613	3F4	3	50-95	T77858	3E19	2	50-84
T43514	5G12	20	110-25	T77613	3F11	3	60-5	T77858	3E21	3	50-87
T43514	5G12	21	110-25	T77613	3F13	4	60-7	T77858	3G4	3	60-23
T45132	4F8	27	70-95	T77613	3G14	1	60-33	T77858	4C4	3	70-15
T46726	2B19	10	30-9	T77613	3G16	3	60-35	T77858	4D2	10	70-37
T47836	6G10	33	121-33	T77613	4B22	7	70-9	T77858	4D4	4	70-39
T49676	6F9	14	121-7	T77613	4C6	1	70-17	T77858	4D4	11	70-39
T50409	6F9	13	121-7	T77613	4C8	22	70-19	T77858	4F13	5	70-101
T50415	6F11	1	121-9	T77613	4C10	30	70-21	T77858	7D8	1	125-45
T519T	5D8	3	90-43	T77613	4C14	7	70-25	T77858	7D10	15	125-47
T531T	2D19	20	40-33	T77613	4C22	1	70-33	T77932	3D18	14	50-57
T531T	2D21	20	40-35	T77613	4C22	37	70-33	T77932	3E21	6	50-87
T55201	5D15	12	90-51	T77613	4C24	1	70-35	T77932	3G10	5	60-29
T55501	3G6	5	60-25	T77613	4C24	27	70-35	T77932	3G12	1	60-31
T55501	5E11	5	90-73	T77613	4D8	6	70-43	T77932	4B18	3	70-5
T55585	3G6	6	60-25	T77613	4E9	4	70-71	T77932	4C2	12	70-13

NUMERICAL INDEX - CONTINUED

PART NO.	GRID	KEY	PAGE	PART NO.	GRID	KEY	PAGE	PART NO.	GRID	KEY	PAGE
T77932	4D2	3	70 - 37	U12547	4F8	29	70 - 95	Z12964	3C9	16	50 - 21
T77932	4D6	3	70 - 41	U12547	4F9	11	70 - 96	Z24604	7G18	19	130 - 47
T77932	4E23	2	70 - 85	U13639	1C4	6	20 - 17	Z24604	7G20	24	130 - 49
T77932	4E25	2	70 - 87	U13639	1D16	6	24 - 28	Z33404	7C14	36	125 - 27
T77932	4F2	2	70 - 89	U13639	1D18	5	24 - 31	Z33404	7H2	6	130 - 55
T77932	4F13	4	70 - 101	U13639	1D20	6	24 - 33	Z33774	6E20	15	120 - 83
T77932	7D10	1	125 - 47	U13639	1D22	4	24 - 35	Z33774	7C14	32	125 - 27
T77932	7D12	20	125 - 49	U13639	1E4	23	24 - 41	Z33774	7H18	7	170 - 4
T77932	7D14	12	125 - 51	U13639	1I23	8	24 - 168	Z36140	7E23	7	130 - 3
T78313	3D21	7	50 - 61	U13639	1J10	5	24 - 180	Z38380	7E23	7	130 - 3
T78313	3D23	7	50 - 63	U14273	6F19	25	121 - 17	Z38380	7E23	33	130 - 3
T78313	3D25	8	50 - 65	U14273	6F23	6	121 - 21	Z38380	7E23	33A	130 - 3
T78313	3E2	8	50 - 67	U14273	6F23	9	121 - 21	Z39238	4F21	29	80 - 7
T78313	3E4	4	50 - 69	U14273	6F25	6	121 - 23	Z39386	4G10	25	80 - 21
T78313	3E6	4	50 - 71	U14273	6G24	25	121 - 47	Z5086H	7B25	38	125 - 13
T78313	3E8	4	50 - 73	U15415	3C16	25	50 - 29	Z56747	4C16	10	70 - 27
T78313	3E16	29	50 - 81	U15415	3D2	43	50 - 41	Z56747	5G2	30	110 - 15
T78313	3E16	37	50 - 81	U15973	4E20	17	70 - 82	122SE	3B16	6	50 - 3
T78313	3E18	31	50 - 83	U15980	4C18	13	70 - 29	124424	5G8	15	110 - 21
T78313	4F13	9	70 - 101	U15980	7H13	13	160 - 4	124424	5G12	17	110 - 25
T78612	4F13	7	70 - 101	U17409	3C22	4	50 - 35	32184	5G17	16	110 - 31
T78707	3E19	11	50 - 84	U17409	3C23	4	50 - 36	32243	5F15	2	110 - 3
T78715	3E12	1	50 - 77	U17409	3D3	12	50 - 42	32246	3C20	20	50 - 33
T78716	7D12	4	125 - 49	U40729	3D3	7	50 - 42	400R	6F11	12	121 - 9
T78716	7D14	4	125 - 51	U40745	4D16	20	70 - 51				
T78784	4F13	8	70 - 101	U40745	4D17	20	70 - 52				
T79098	3C14	4	50 - 27	U40745	4D19	20	70 - 55				
T80306	4E25	1	70 - 87	U40745	4D23	20	70 - 59				
T80306	7D12	23	125 - 49	U40962	4D10	11	70 - 45				
T80393	2G20	1	40 - 107	U40962	4D12	11	70 - 47				
T80394	2G20	1	40 - 107	U40962	4D14	11	70 - 49				
T81029	2B17	16	30 - 7	U40962	4D16	11	70 - 51				
T81029	3E16	6	50 - 81	U40962	4D17	11	70 - 52				
T81029	3E18	6	50 - 83	U40962	4D19	11	70 - 55				
T81029	3G14	2	60 - 33	U40962	4D23	11	70 - 59				
T81029	3G16	19	60 - 35	U41353	3D16	2	50 - 55				
T81029	4B22	4	70 - 9	U42355	2B13	30	30 - 3				
T81029	4E9	3	70 - 71	U42355	2B17	22	30 - 7				
U10063	3F9	14	60 - 3	U42902	4D12	26	70 - 47				
U10063	6G10	20	121 - 33	U46370	2G2	20	40 - 89				
U10746	3C7	21	50 - 19	U46370	2G6	36	40 - 93				
U10776	3C5	13	50 - 17	U46506	2D21	6	40 - 35				
U10776	3C7	4	50 - 19	U46507	2D21	3	40 - 35				
U11647	3D8	1	50 - 47	U46662	2C14	7	40 - 3				
U11647	3D14	1	50 - 53	U46662	2C14	8	40 - 3				
U12547	3D2	32	50 - 41	U46662	2C14	12	40 - 3				
U12547	3D17	12	50 - 56	U46662	2C14	13	40 - 3				
U12547	3D18	12	50 - 57	U46662	2C14	19	40 - 3				
U12547	3D19	11	50 - 58	U46662	2D6	6	40 - 19				
U12547	3D21	1	50 - 61	U46662	2D8	6	40 - 21				
U12547	3D23	1	50 - 63	U46662	2E2	10	40 - 41				
U12547	3E4	6	50 - 69	U46662	2E8	19	40 - 47				
U12547	3E6	5	50 - 71	U46662	2G2	10	40 - 89				
U12547	3E8	5	50 - 73	U46662	2G6	37	40 - 93				
U12547	3E10	19	50 - 75	U46662	2G10	6	40 - 97				
U12547	3E12	11	50 - 77	U46663	2D6	7	40 - 19				
U12547	3E12	17	50 - 77	U46663	2D8	7	40 - 21				
U12547	3E14	11	50 - 79	U46663	2G6	38	40 - 93				
U12547	3E16	3	50 - 81	U46664	2G4	47	40 - 91				
U12547	3E18	3	50 - 83	U46664	2G6	39	40 - 93				
U12547	3E21	4	50 - 87	W13288	4E13	2	70 - 75				
U12547	3F7	11	60 - 1	W15277	3F24	7	60 - 18				
U12547	3G4	1	60 - 23	W23690	3C20	21	50 - 33				
U12547	4D4	2	70 - 39	W38051	2E12	1	40 - 51				
U12547	4E23	20	70 - 85	W39621	5G25	33	110 - 39				
U12547	4E25	15	70 - 87	W39621	7F14	3	130 - 19				
U12547	4F2	15	70 - 89	Y3082BN	4G14	4	80 - 25				